

REVISIONS	DATE	STATUS

HORSE ARENA
A-SERIES
DWGS

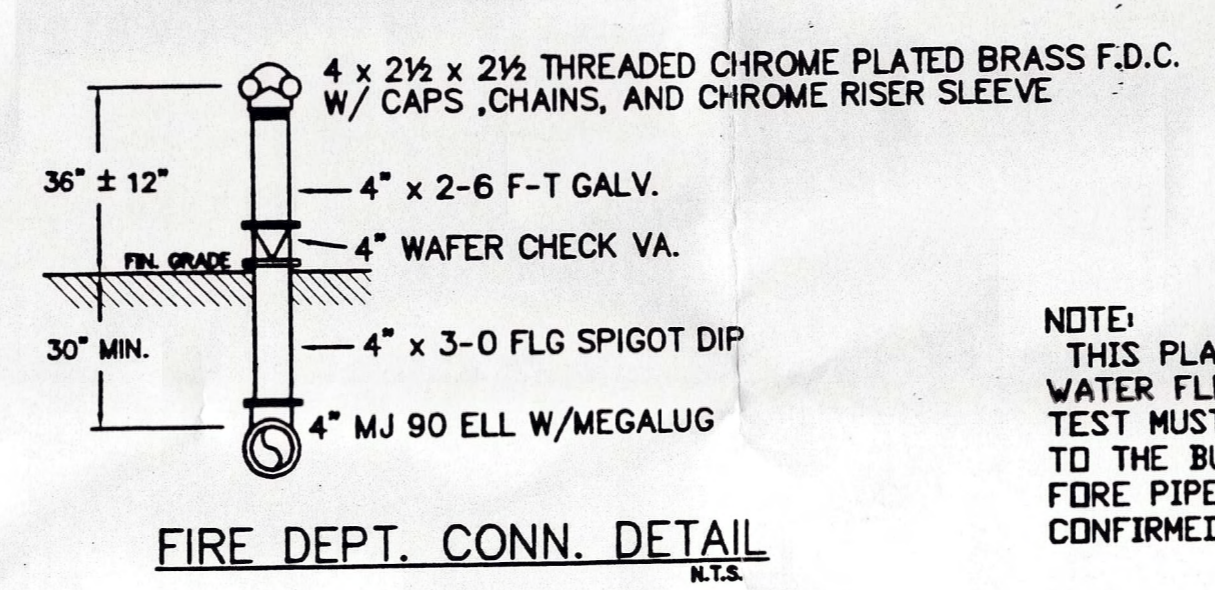
HORSE BARN
B-SERIES
DWGS

WETLANDS NO. 1

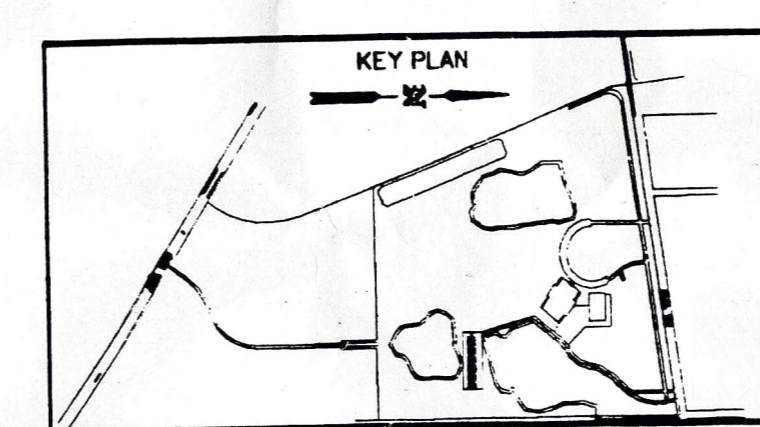
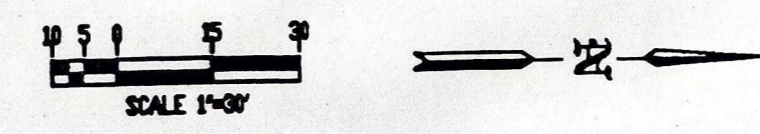
SITE PLAN
SCALE 1" = 30'-0"

SYMBOLS LEGEND

- NEW UNDERGROUND PIPE
- - - EXIST. UNDERGROUND PIPE
- ⊙ SYSTEM RISER
- ⊙ BACKFLOW BY OTHERS (8" AMES RPZ)
- ⊙ FIRE HYDRANT BY OTHERS
- ⊙ HYDRAULIC REFERENCE POINT
- ∨ FIRE DEPARTMENT CONNECTION



NOTE:
THIS PLAN IS SUBJECT TO CHANGE DUE TO WATER FLOW REQUIREMENTS. AN ON SITE FLOW TEST MUST BE DONE AT THE CLOSEST HYDRANT TO THE BUILDING AS PER SPECIFICATIONS BEFORE PIPE SIZES AND CALCULATIONS CAN BE CONFIRMED.



NO.	DATE	REVISION DESCRIPTION	BY
1	8/22/03	PER REVIEW COMMENTS 8/14/03	LMB
0	7/16/03	ISSUE FOR APPROVAL	LMB

Wiginton
FIRE PROTECTION
ENGINEERING, INC.
Florida Certification of Authorization # 7977

Orlando, Florida (407) 831-3414
 Tampa, Florida (813) 822-3333 Office
 Fort Palm Beach, Florida (888) 360-4433 Office
 Jacksonville, Florida (904) 382-8107
 Miami, Florida (305) 888-2402
 Tallahassee, Florida (904) 278-2655
 Daytona, Florida (386) 257-4300

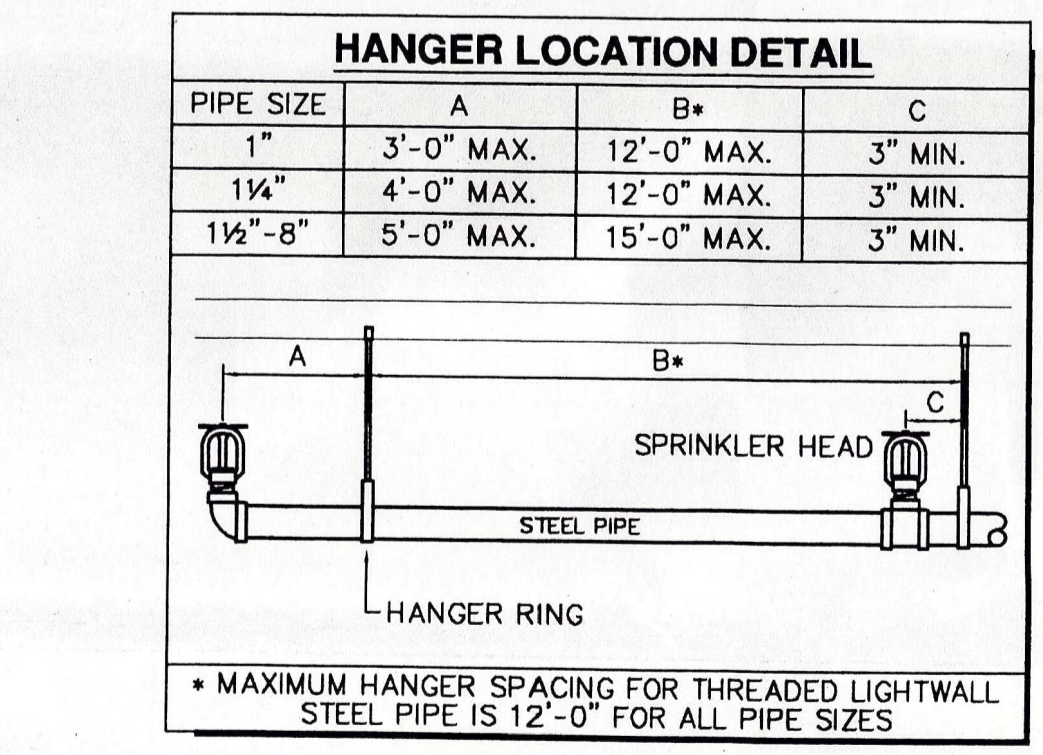
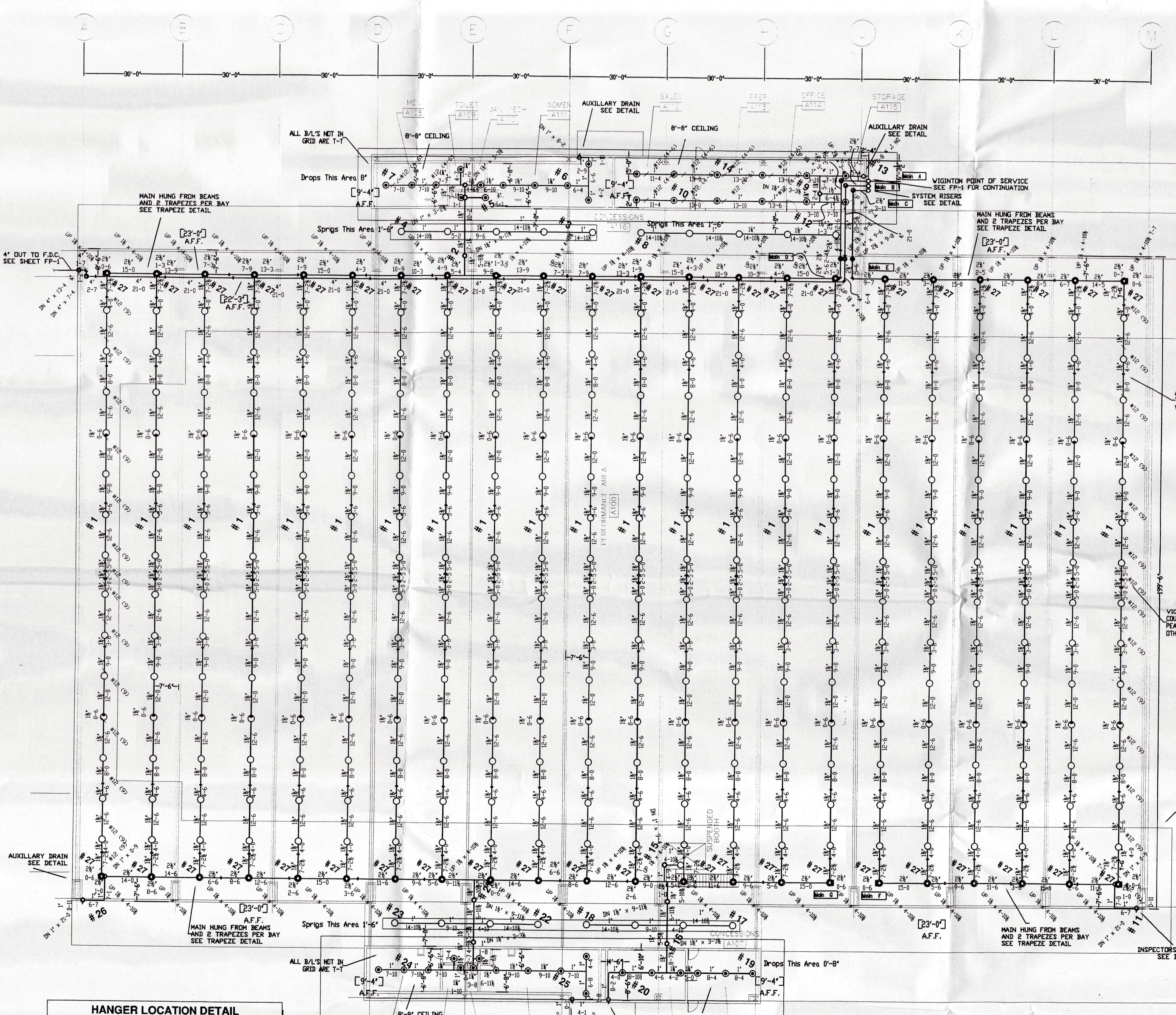
AGRI-CENTER ARENA	
4218 HWY. 70 EAST OKEECHOBEE, FLORIDA	
DRAWN BY: LMB	DATE: 7/7/2003
SPRKS. ON JOB: 765	SCALE: 1" = 30'-0"
APPROVALS: OKEECHOBEE COUNTY	
CUSTOMER NAME: DAVID BROOKS ENTERPRISES	
CONTRACT NO. 6010057	SHEET NO. FP-1 OF

S.R. 70

AS BUILT

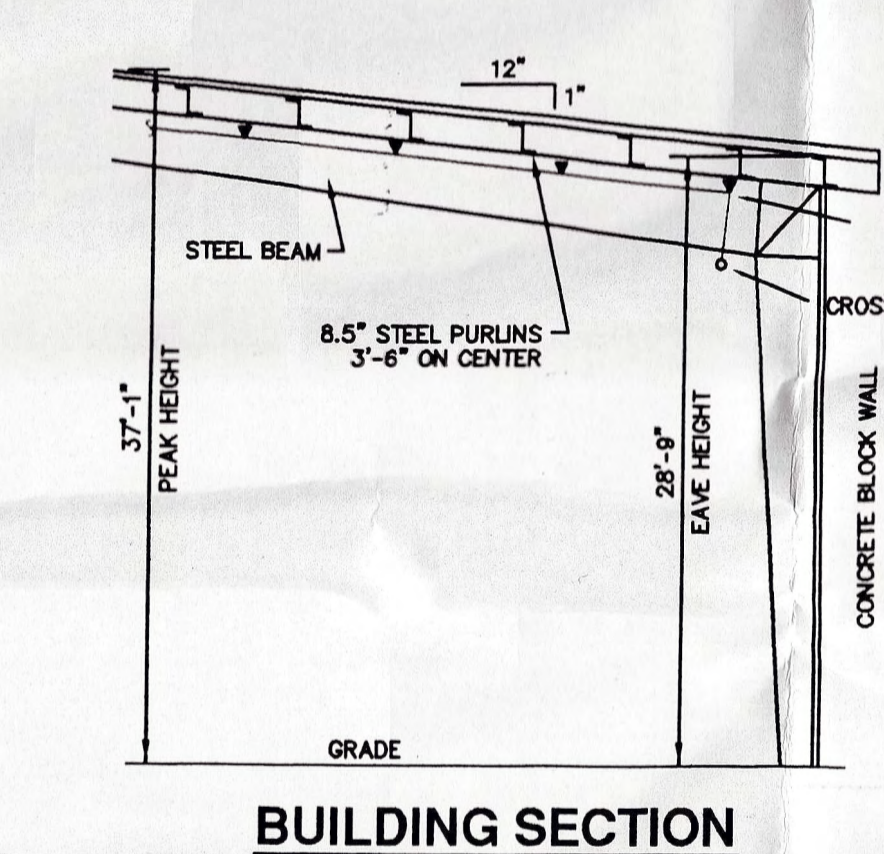
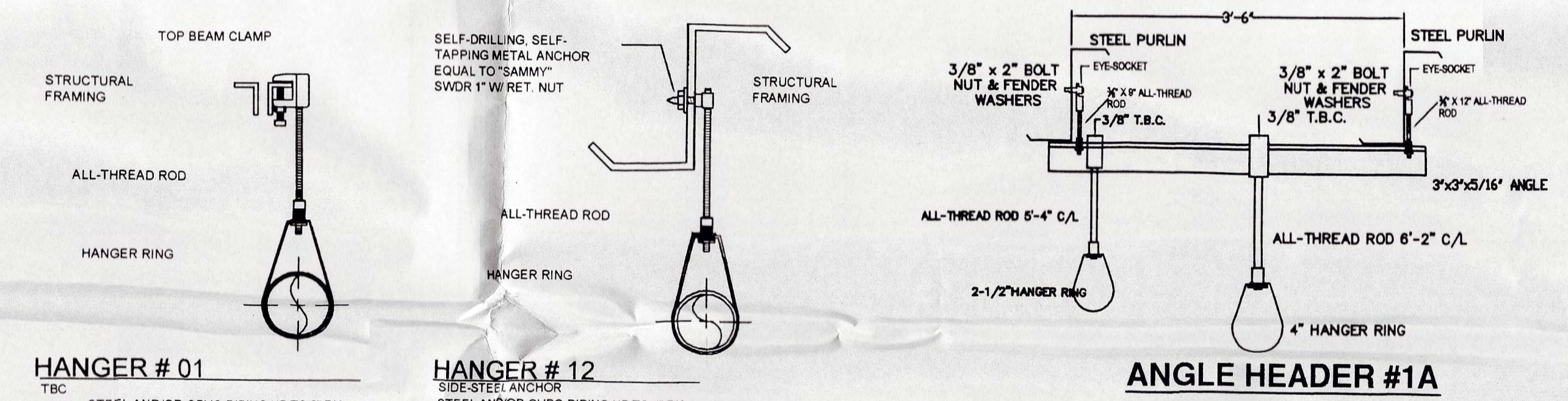
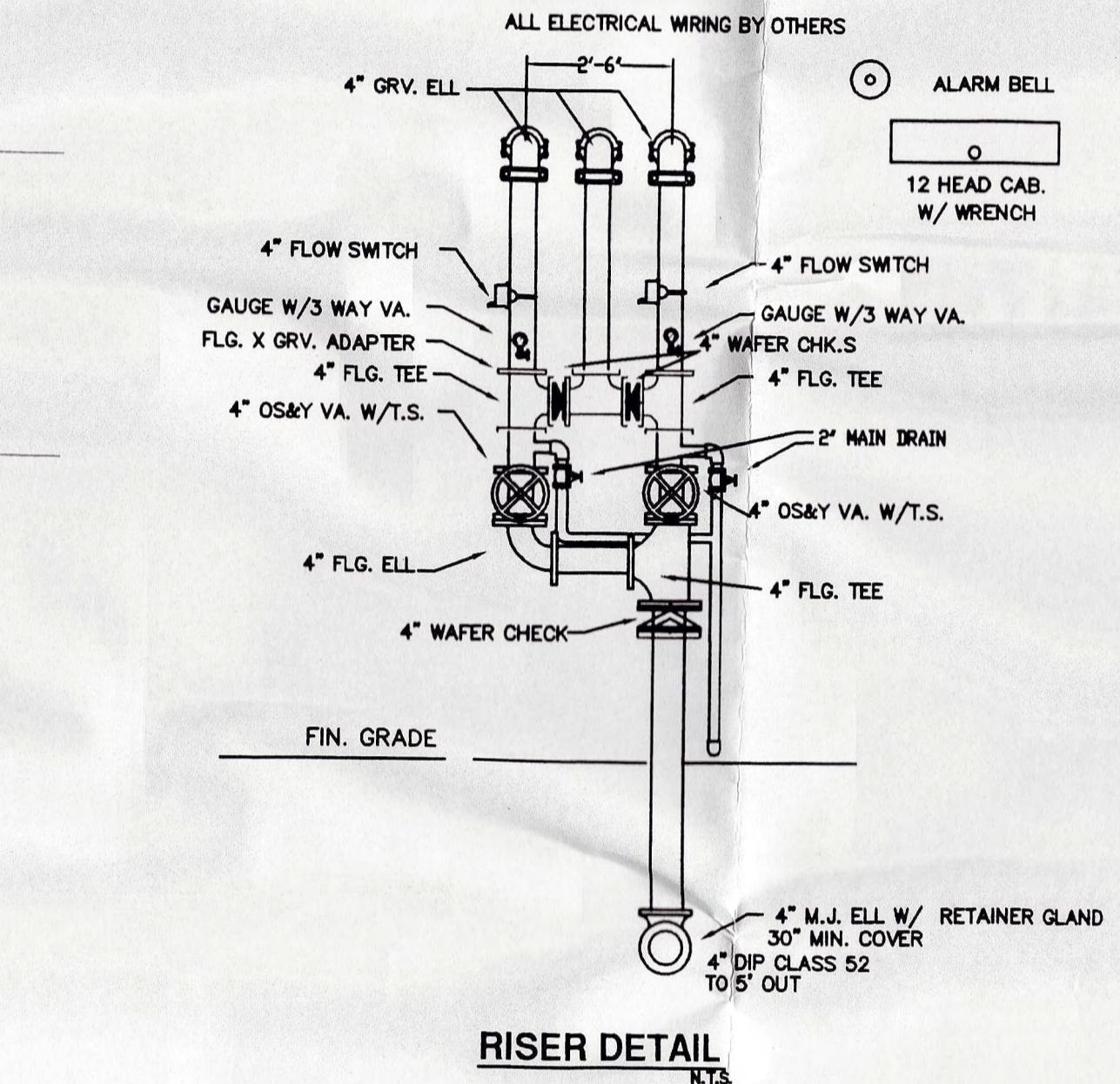
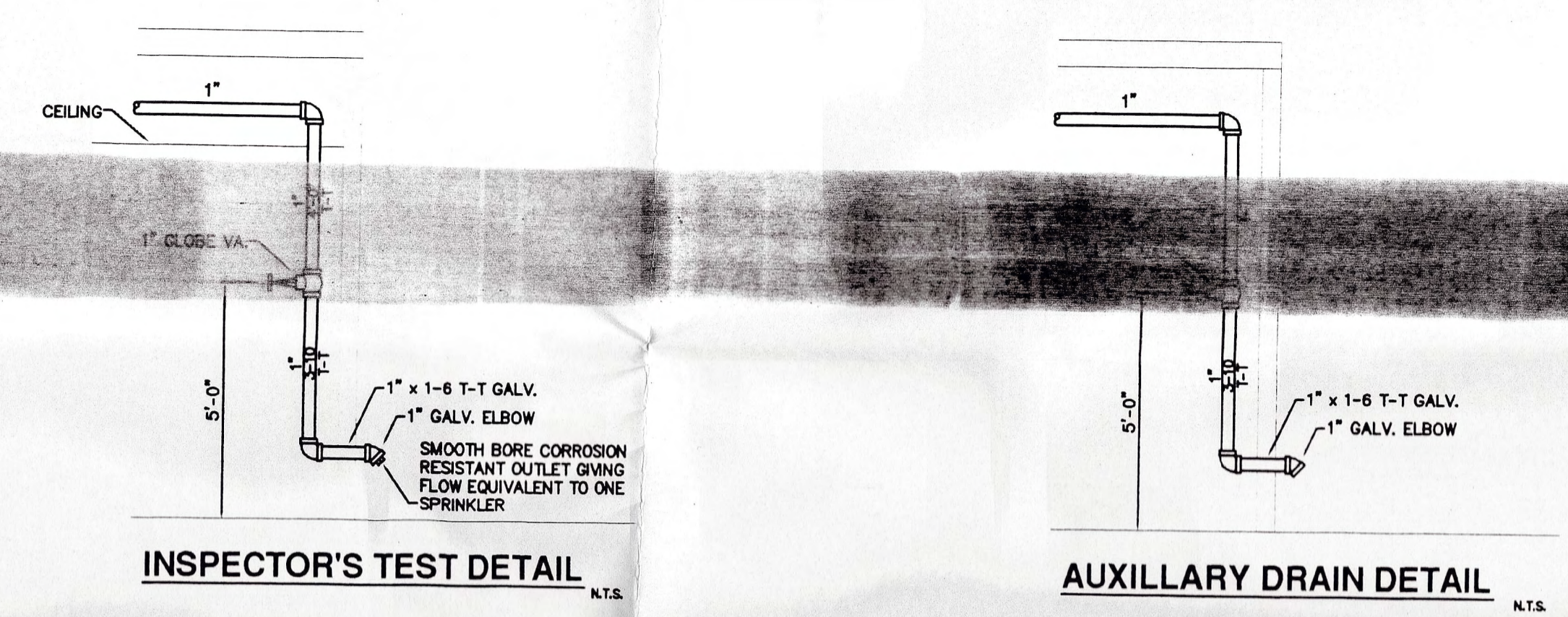
WIGINTON REVIEWS

INITIALS	DATE	STATUS



HORSE ARENA

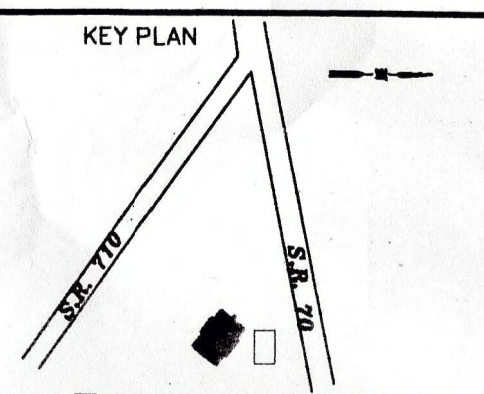
NOTE: THIS PLAN IS SUBJECT TO CHANGE DUE TO WATER FLOW REQUIREMENTS. AN ON SITE FLOW TEST MUST BE DONE AT THE CLOSEST HYDRANT TO THE BUILDING AS PER SPECIFICATIONS BEFORE PIPE SIZES AND CALCULATIONS CAN BE CONFIRMED.



- DESIGN NOTES**
- 1) SYSTEM DESIGNED PER NFPA 13-2002 FOR A LIGHT HAZARD OCCUPANCY. 225' SEE MAXIMUM SPACING IN BATHROOM AREA USING THE ROOM DESIGN METHOD.
 - 2) SYSTEM DESIGNED PER NFPA 13-2002 FOR A LIGHT HAZARD OCCUPANCY. 130 S.F. MAXIMUM SPACING IN ARENA AREA OVER 1500 SQ. FT.
 - 3) ALL WORK SHALL BE DONE IN ACCORDANCE W/ NFPA 13 & ALL LOCAL CODES.
 - 4) ALL HANGERS & MATERIALS TO BE IN ACCORDANCE W/ NFPA 13.
 - 5) ALL MAINS TO BE SCH. 40 BLACK PIPE & ALL GRID LINES TO BE BLACK SCH. 40.
 - 6) PIPE LENGTHS NOTED FROM CENTER TO CENTER, U.N.O.
 - 7) MAIN TO HANG @ 23'-0" U.N.O.
 - 8) ALL GROOVED FITTINGS AND COUPLINGS TO BE VICTAULIC FIRELOCK.
 - 9) ALL WIRING AND CENTRAL STATION MONITORING BY OTHERS.
 - 10) PROVIDE SLEEVES WHEN PENETRATING WALLS. SEAL PIPE AND SLEEVE PENETRATIONS TO ACHIEVE FIRE RESISTANCE EQUIVALENT TO FIRE SEPERATION REQUIRED.

AS BUILT

WATER SUPPLY		ABBREVIATIONS		MATERIALS		DESIGN CRITERIA		HYDRAULICALLY DESIGNED SYSTEM		TYPES OF SPRINKLERS	
FLOW TEST	FIRE PUMP	CL = CENTERLINE	SIZE	LOCATION	TYPE	SYSTEM NO. 1	2	LOCATION	WEST ARENA	BATHROOM	SYMBOL
DATE OF TEST: 11-10-AM	RATED CAPACITY:	E = ELEVATION	1'-1-1/2"	SCH. 40	HAZARD	LIGHT	LIGHT	NO. OF SPRINKLERS	8	5	Q
TIME OF TEST:	RATED PRESSURE:	TOS = TOP OF STEEL	2-3/4"	SCH. 40	SPACING	225	225	DENSITY	10	10	42
STATIC PRESSURE:	PUMP TYPE:	G = GROOVED PIPE END			K FACTOR	5.6	5.6	DESIGN AREA	1500	488	371
RESIDUAL PRESSURE:	WELL PUMP	T = THREADED PIPE END	ALL	THREADED FITTINGS	C.I.	N/A	N/A	GNM DISCHARGE	283.5	186.9	413
GALLONS FLOWING:	GPM AVAILABLE:	F = FLANGED PIPE END	ALL	GRV. COUPS. & FITTINGS	FIRELOCK	OUTSIDE HOSE	100	RESIDUAL PSI AT	47.1	41.8	HEADS
TESTED BY: O. C. W. D.	PSI AVAILABLE:	C-C = CENTER TO CENTER				RACK GPM	N/A				THIS
											SHEET



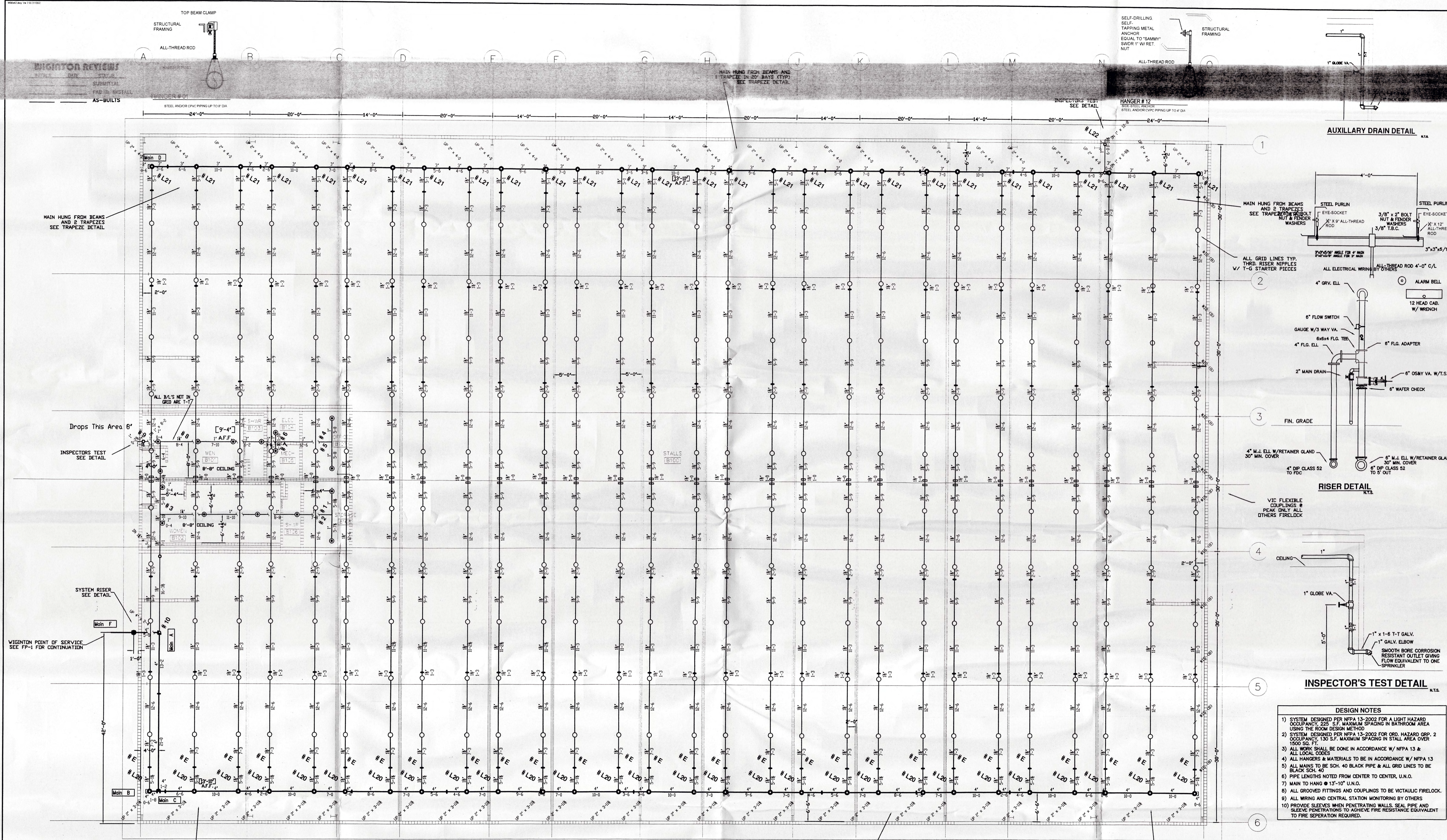
NO.	DATE	REVISION DESCRIPTION	BY
1	8/22/03	PER REVIEW COMMENTS B1403	LMB
0	7/16/03	ISSUE FOR APPROVAL	LMB

Wiginton
FIRE PROTECTION ENGINEERING, INC.
Florida Certification of Authorization # 7977

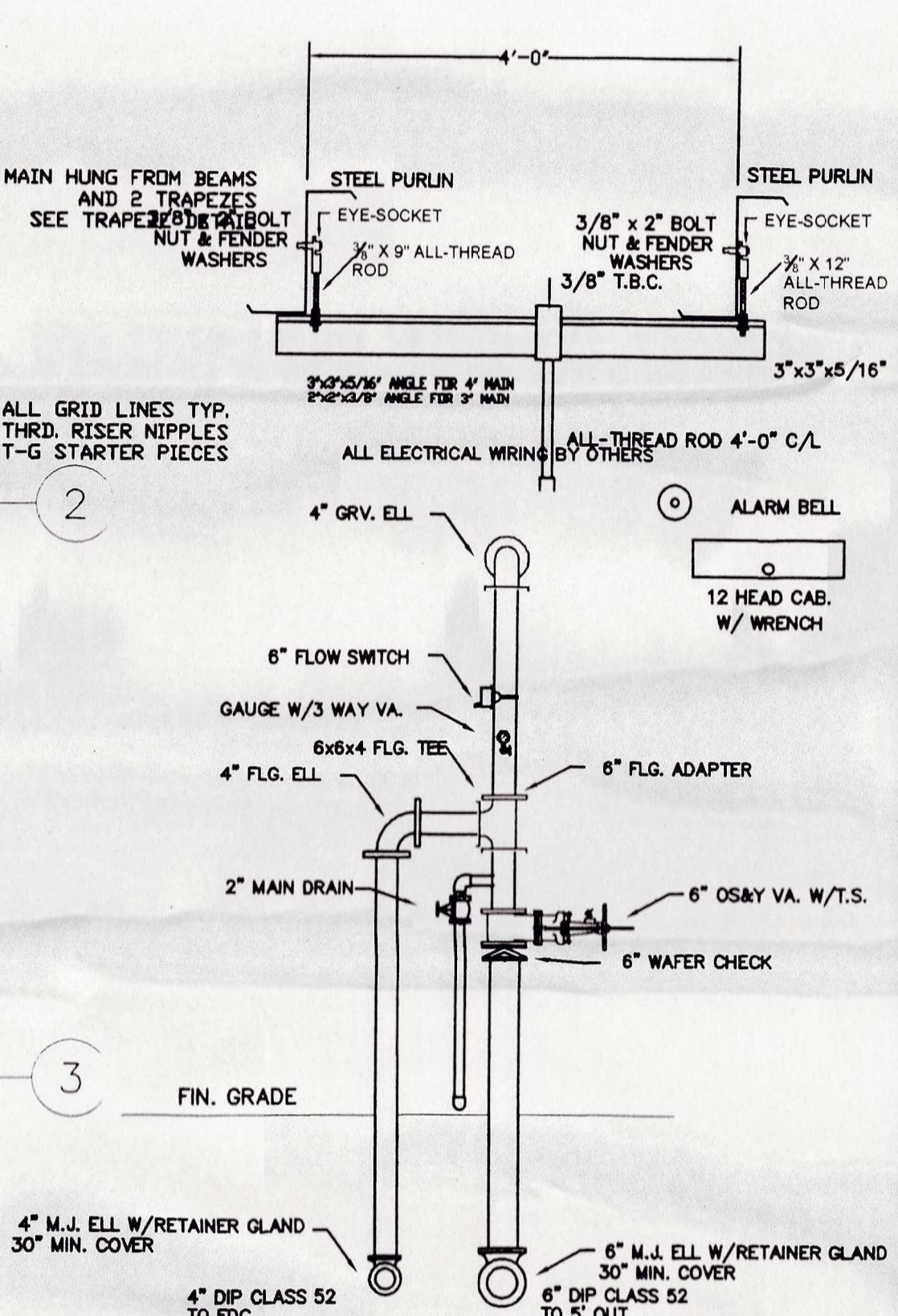
Orlando, Florida (407) 831-3414
 Tampa, Florida (813) 822-2333 Office
 Jacksonville, Florida (904) 262-8107
 Ft. Myers, Florida (888) 778-2625

Palm Beach, Florida (561) 540-4250 Office
 Miami, Florida (305) 888-2402
 Melbourne, Florida (321) 722-5585

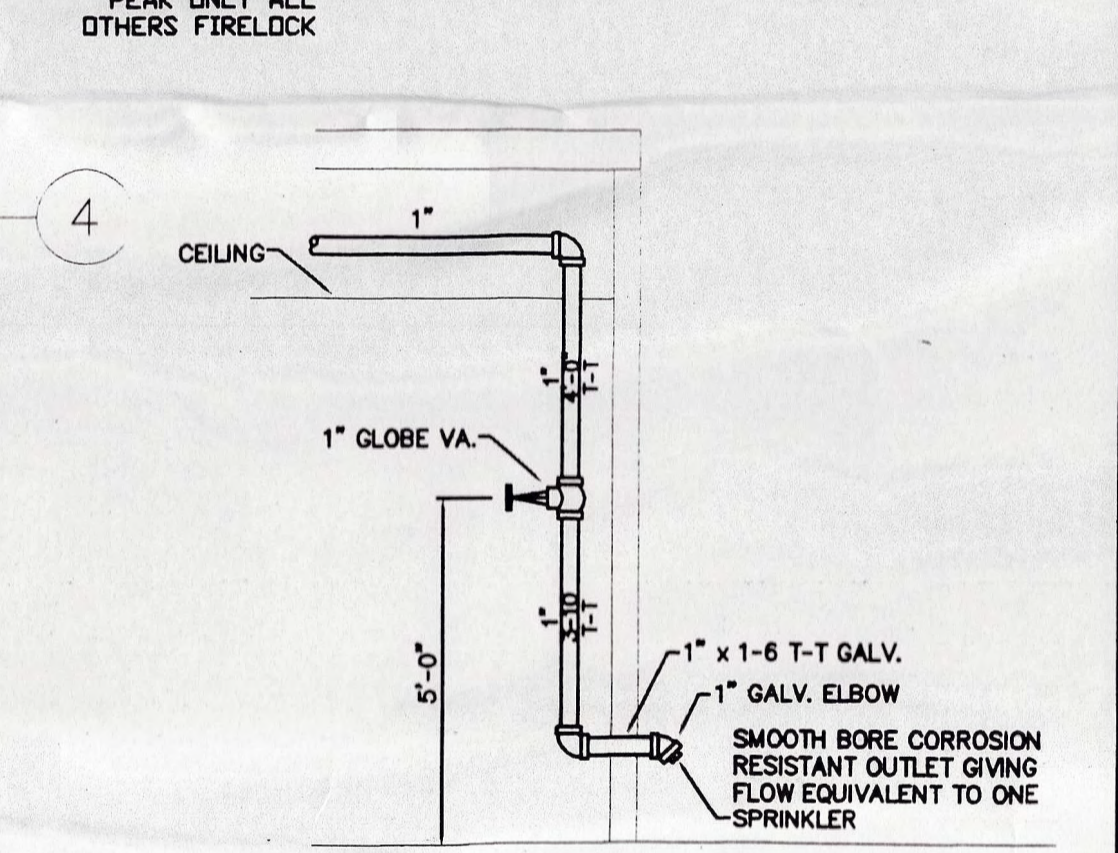
AGRI-CIVIC CENTER ARENA	
4218 HWY 70 EAST OKEECHOBEE, FLORIDA	
DRAWN BY: LMB	DATE: 6/23/03
SPRKS. ON JOB: 765	SCALE: 1/16" = 1'-0"
APPROVALS: OKEECHOBEE COUNTY	
CUSTOMER NAME: DAVID BROOKS ENTERPRISES	
CONTRACT NO. 0016007	SHEET NO. FP-2 OF 3



AUXILIARY DRAIN DETAIL



RISER DETAIL



INSPECTOR'S TEST DETAIL

- DESIGN NOTES**
- 1) SYSTEM DESIGNED PER NFPA 13-2002 FOR A LIGHT HAZARD OCCUPANCY, 225 S.F. MAXIMUM SPACING IN BATHROOM AREA USING THE ROOM DESIGN METHOD.
 - 2) SYSTEM DESIGNED PER NFPA 13-2002 FOR ORD. HAZARD GRP. 2 OCCUPANCY, 130 S.F. MAXIMUM SPACING IN STALL AREA OVER 1500 SQ. FT.
 - 3) ALL WORK SHALL BE DONE IN ACCORDANCE W/ NFPA 13 & ALL LOCAL CODES.
 - 4) ALL HANGERS & MATERIALS TO BE IN ACCORDANCE W/ NFPA 13 & ALL LOCAL CODES.
 - 5) ALL MAINS TO BE SCH. 40 BLACK PIPE & ALL GRID LINES TO BE BLACK SCH. 40.
 - 6) PIPE LENGTHS NOTED FROM CENTER TO CENTER, U.N.O.
 - 7) MAIN TO HANG @ 13'-10" U.N.O.
 - 8) ALL GROOVED FITTINGS AND COUPLINGS TO BE VICTALUX FIRELOCK.
 - 9) ALL WIRING AND CENTRAL STATION MONITORING BY OTHERS.
 - 10) PROVIDE SLEEVES WHEN PENETRATING WALLS, SEAL PIPE AND SLEEVE PENETRATIONS TO ACHIEVE FIRE RESISTANCE EQUIVALENT TO FIRE SEPERATION REQUIRED.

HANGER LOCATION DETAIL

PIPE SIZE	A	B+	C
1 1/4"	3'-0" MAX.	12'-0" MAX.	3" MIN.
1 1/2"	4'-0" MAX.	12'-0" MAX.	3" MIN.
1 3/4"	5'-0" MAX.	15'-0" MAX.	3" MIN.

* MAXIMUM HANGER SPACING FOR THREADED LIGHTWALL STEEL PIPE IS 12'-0" FOR ALL PIPE SIZES

HORSE BARN
SCALE 1" = 8'-0"

NOTE: THIS PLAN IS SUBJECT TO CHANGE DUE TO WATER FLOW REQUIREMENTS. AN ON SITE FLOW TEST MUST BE DONE AT THE CLOSEST HYDRANT TO THE BUILDING AS PER SPECIFICATIONS BEFORE PIPE SIZES AND CALCULATIONS CAN BE CONFIRMED.

AS BUILT

WATER SUPPLY		ABBREVIATIONS		MATERIALS		DESIGN CRITERIA		HYDRAULICALLY DESIGNED SYSTEM		TYPES OF SPRINKLERS		KEY PLAN		NO. DATE REVISION DESCRIPTION		BY		
DATE OF TEST:	11:10 AM	FLOW TEST	← = CENTERLINE	SIZE	LOCATION	SYSTEM NO.	1 2	LOCATION	BATHROOM	STALLS	SYMBOL	QUANTITY	KEY PLAN	NO.	DATE	REVISION DESCRIPTION	BY	
TIME OF TEST:	11:10 AM	RATED CAPACITY:	← = ELEVATION	1 1/4"-1 1/2"	BRANCH LINES	HAZARD	LIGHT	ORD. GRP. 2	5	15	16	5.6	1/2"	155°F	TYCO FRB	SSP	WH	RECESS
STATIC PRESSURE:	59	RATED PRESSURE:	TOS = TOP OF STEEL	3'-4"	RISER MAINS	SPACING	225	130	10	20	338	8.0	3/4"	155°F	TYCO B	SSU	WH	N/A
RESIDUAL PRESSURE:	46	PUMP TYPE:	G = GROOVED PIPE END	ALL	GRID LINES	K FACTOR	5.6	8.0	ROOM	1500								
GALLONS FLOWING:	1130	WELL PUMP	T = THREADED PIPE END	ALL	THREADED FITTINGS	INSIDE HOSE	N/A	N/A	DESIGN AREA	186.2	643							
TESTED BY:	G. C. W. D.	GPM AVAILABLE:	F = FLANGED PIPE END	ALL	GRV. COUPS & FITTINGS	OUTSIDE HOSE	100	250	GPM DISCHARGE	41.1	49							
		PSI AVAILABLE:	C-C = CENTER TO CENTER		FIRELOCK	RACK GPM	N/A	N/A	RESIDUAL PSI AT	US 7								

Wiginton
ENGINEERING, INC.
Florida Certification of Authorization # 7977

Offices:
Orlando, Florida (407) 831-3414
Jacksonville, Florida (904) 262-8107
Miami, Florida (305) 888-2402
Tampa, Florida (813) 233-2333
Melbourne, Florida (321) 722-5885

AGRI-CIVIC CENTER HORSE BARN
4218 HWY 70 EAST
OKEECHOBEE, FLORIDA

DRAWN BY: LMB
DATE: 6/23/03
SCALE: 1/8" = 1'-0"

APPROVALS: OKEECHOBEE COUNTY
CUSTOMER NAME: DAVID BROOKS ENTERPRISES
CONTRACT NO. 6010057
SHEET NO. EP_3 OF 3