

ADDENDUM NO.1 DRAWING REVISIONS

Project: International Friendship Bell
Project Number: 201653
Prepared By: Ziad Elias Demian, DWA
Date: July 10, 2017
Addendum #: 01

Description: List of revised drawings with description of revision.

S101 – Provided dimensional information of the metal arbour (Trellis) in lieu of referring to Landscape drawings.

S301 – Provided top of arbour elevation

L0101 – Modified note from Carbon Fiber Trellis to Metal Trellis.

End of Addendum #1



740 7th Street SE
Washington, DC 20003

202/640/2929
fax 202/640/2905

demianwilbur.com

CONSULTANTS

STRUCTURAL:
KEAST & HOOD STRUCTURAL ENGINEERS
1350 Connecticut Avenue NW, Suite 412
Washington, DC 20036
Phone: (202) 223-1941
Contact: Matthew Daw
Email: mdaw@keasthood.com



LANDSCAPE ARCHITECT:
LANDSCAPE ARCHITECTURE BUREAU
714 7th Street SE
Washington, DC 20003
Phone: 202-543-6550
Contact: Jonathan Fitch
Email: info@labinc.com



LANDSCAPE ARCHITECTURE BUREAU, LLC
714 7th Street SE, Washington, DC 20003
P. 202 543 6550 F. 202 543 6553

REGISTRATION

PROJECT INFORMATION

PROJECT NUMBER 201653

ISSUE RECORD

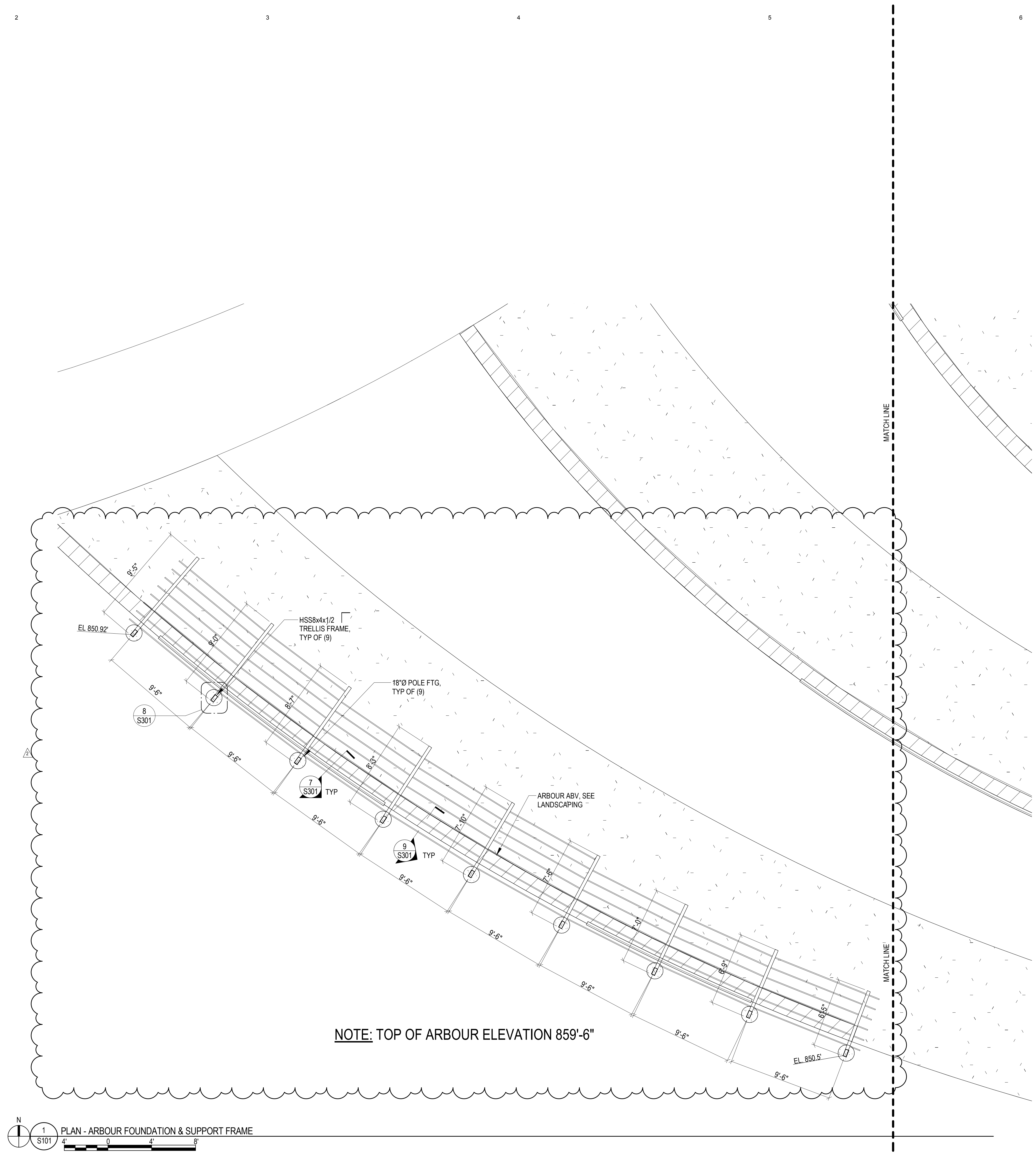
MARK	DATE	DESCRIPTION
1	07-5-2017	ISSUED FOR PRICING
Δ	07-10-2017	ADDENDUM #1

DRAWING INFORMATION

Drawing Scale: 1/4" = 1'-0"
Drawn By: KP
Checked By: PS

ARBOUR PLAN

S101



1 PLAN - ARBOUR FOUNDATION & SUPPORT FRAME
S101
SCALE AT FULL SIZE 1/4" = 1'-0"

CONSULTANTS

STRUCTURAL:
KEAST & HOOD STRUCTURAL ENGINEERS
1350 Connecticut Avenue NW, Suite 412
Washington, DC 20036
Phone: (202) 223-1941
Contact: Matthew Daw
Email: mdaw@keasthood.com

LANDSCAPE ARCHITECT:
LANDSCAPE ARCHITECTURE BUREAU
714 7th Street SE
Washington, DC 20003
Phone: 202-543-6550
Contact: Jonathan Fitch
Email: info@labinc.com

LAB
LANDSCAPE ARCHITECTURE BUREAU, LLC
714 7th Street SE, Washington, DC 20003
P. 202 543 6550 F. 202 543 6553

REGISTRATION

PROJECT INFORMATION

PROJECT NUMBER 201653

ISSUE RECORD

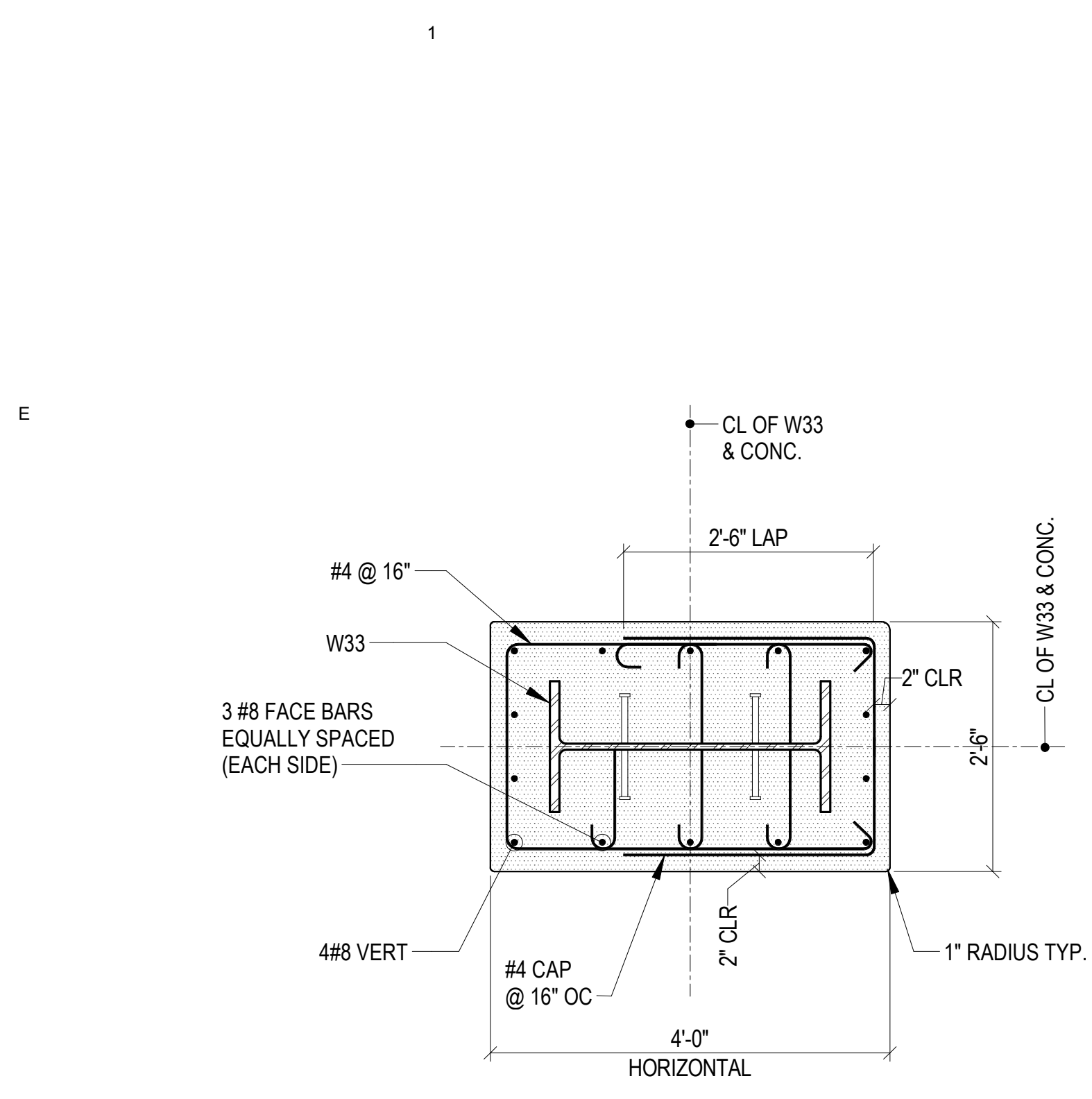
MARK	DATE	DESCRIPTION
1	07-5-2017	ISSUED FOR PRICING
2	07-10-2017	ADDENDUM #1

DRAWING INFORMATION

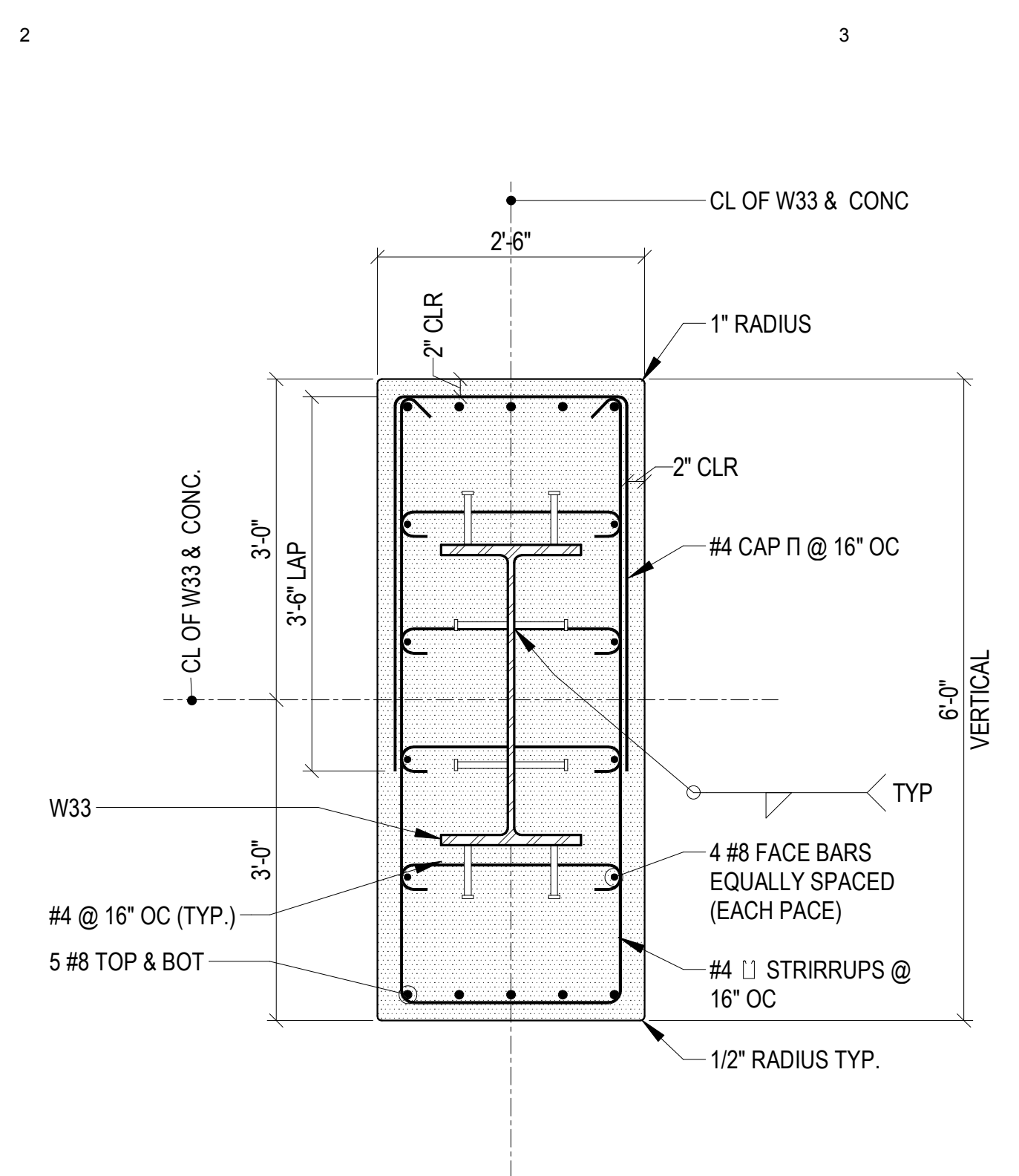
Drawing Scale: As indicated
Drawn By: KP
Checked By: PS

SECTIONS & DETAILS

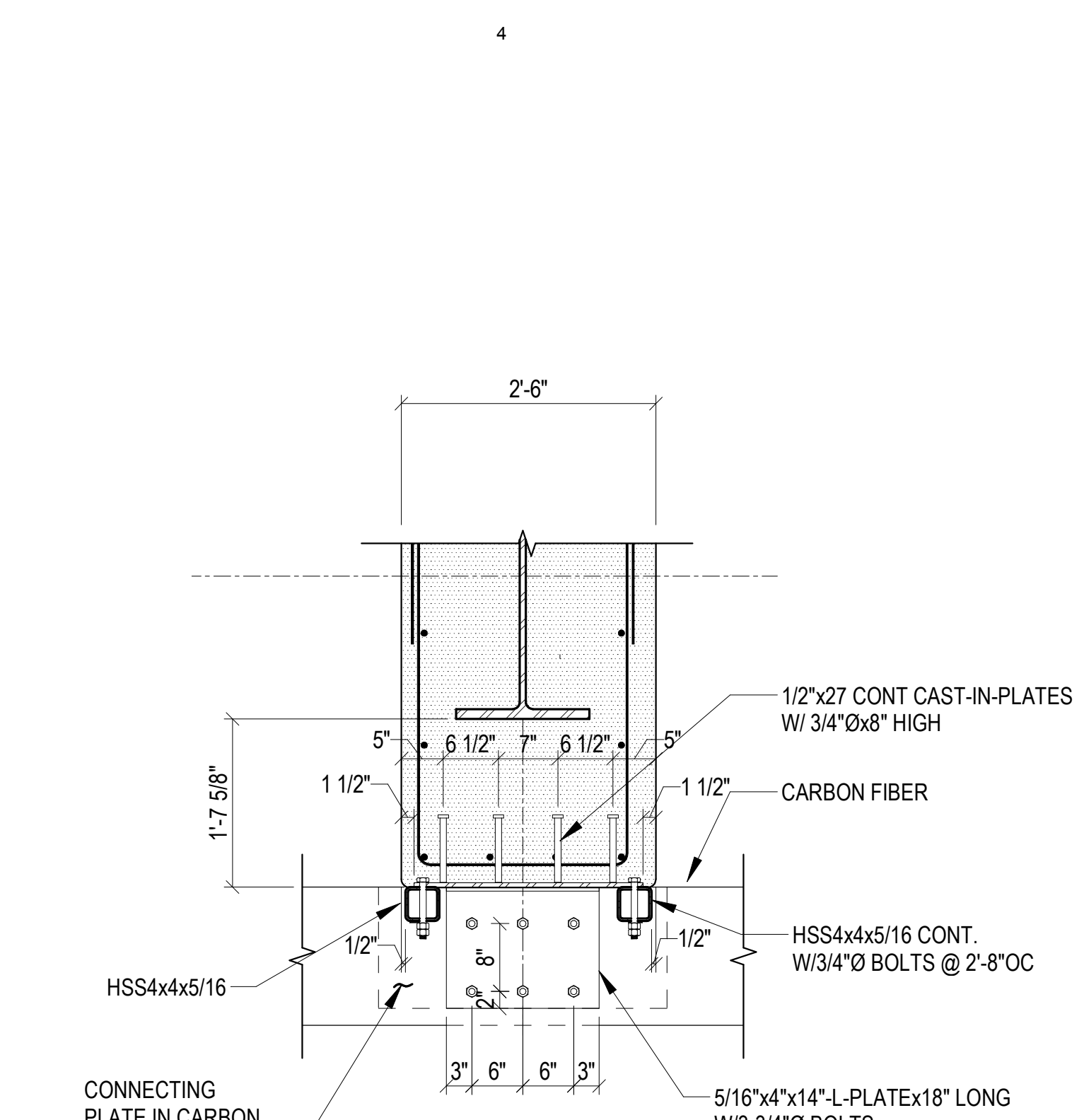
S301



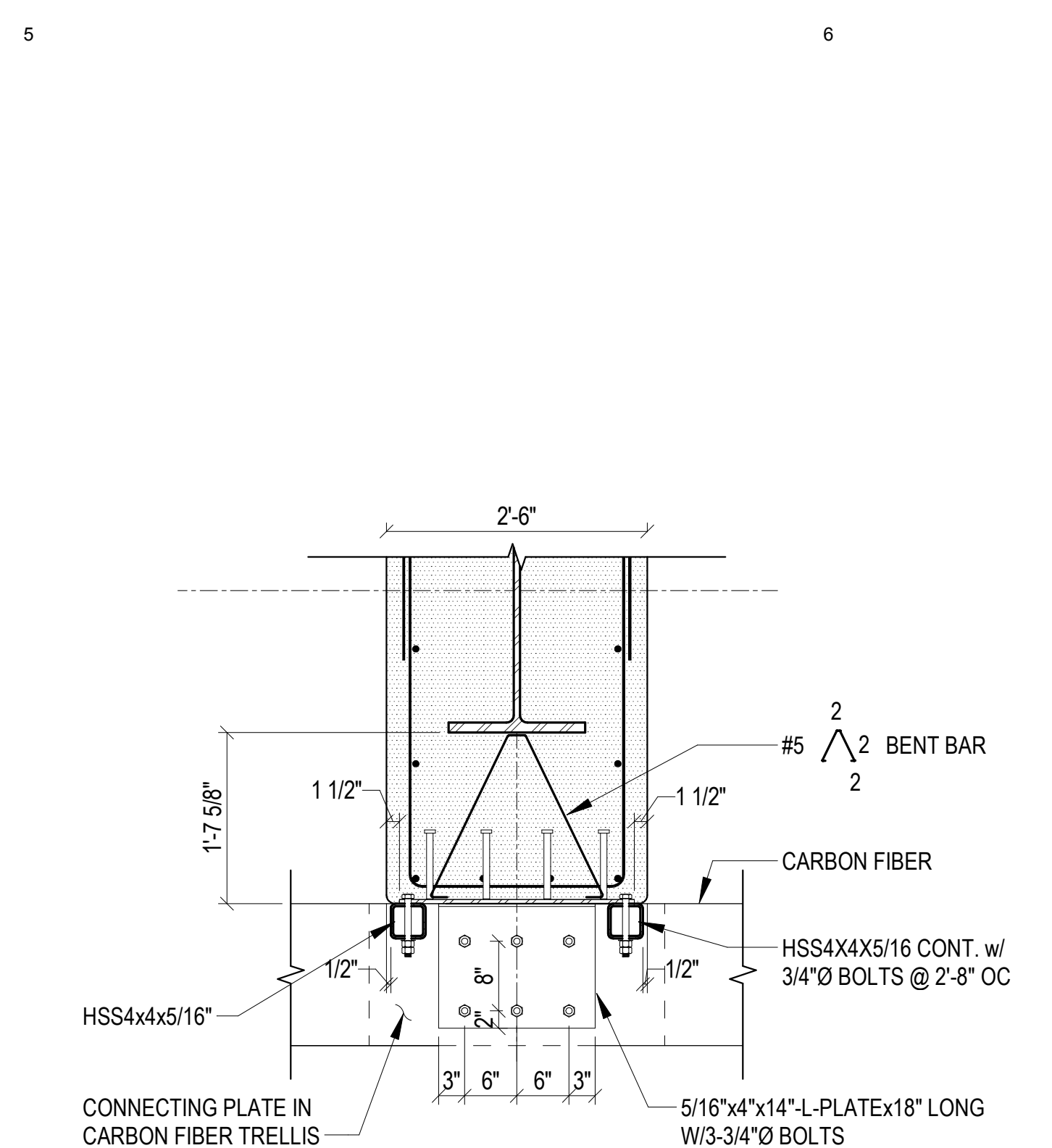
1 SECTION
S301
SCALE AT FULL SIZE 3/4" = 1'-0"



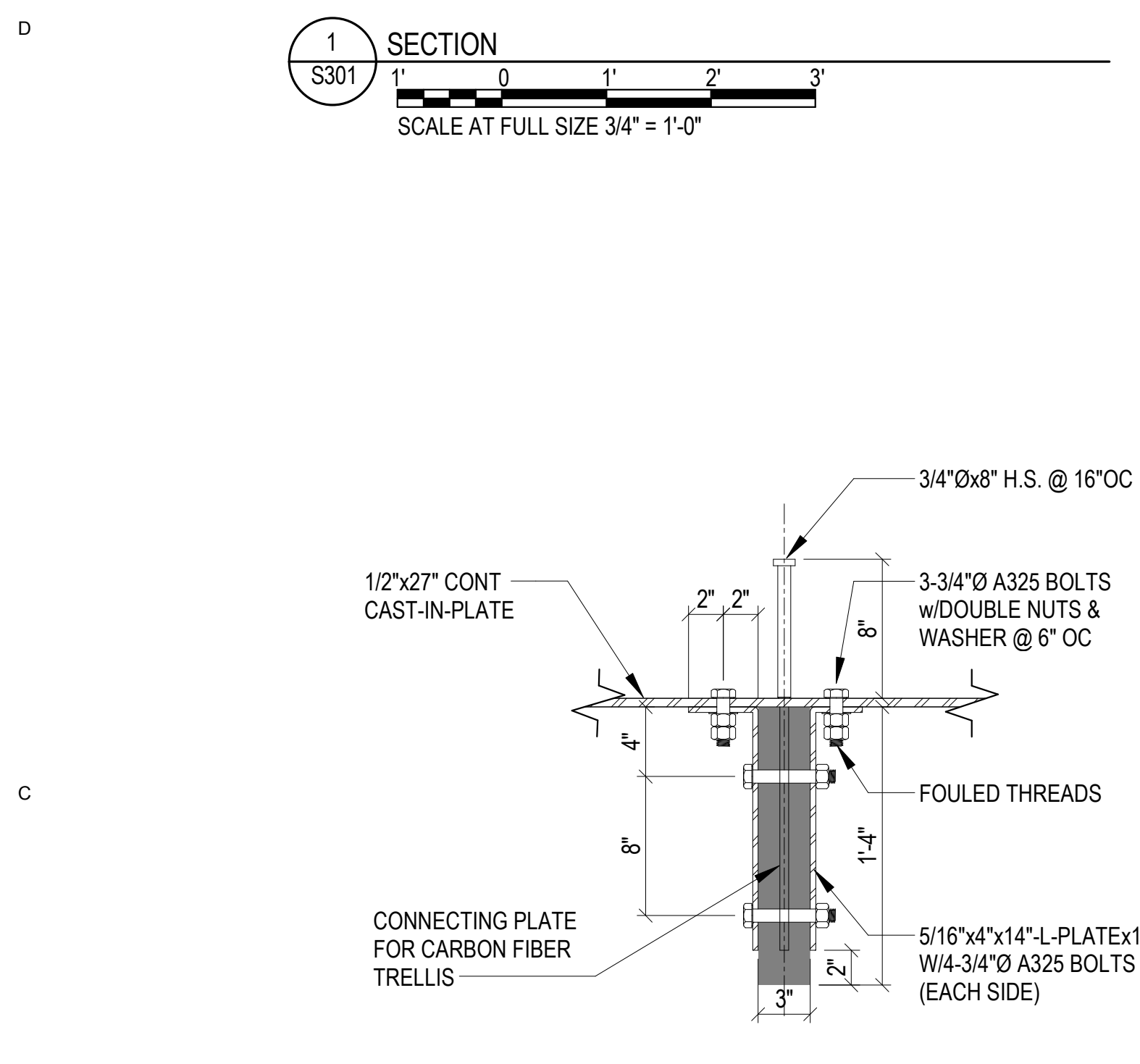
2 SECTION
S301
SCALE AT FULL SIZE 3/4" = 1'-0"



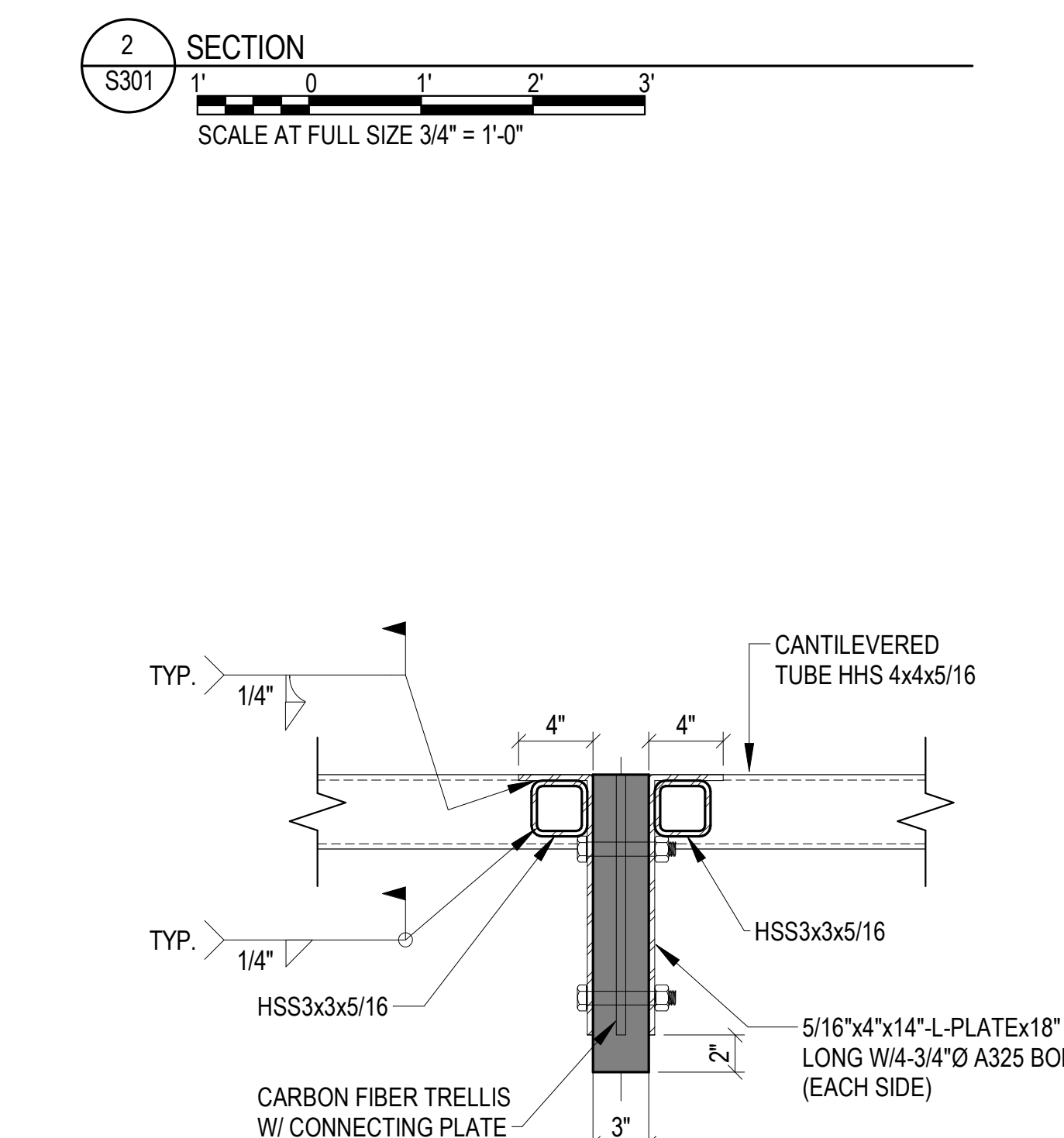
3 DETAIL - CARBON FIBER TRELLIS SUPPORT
S301
SCALE AT FULL SIZE 3/4" = 1'-0"



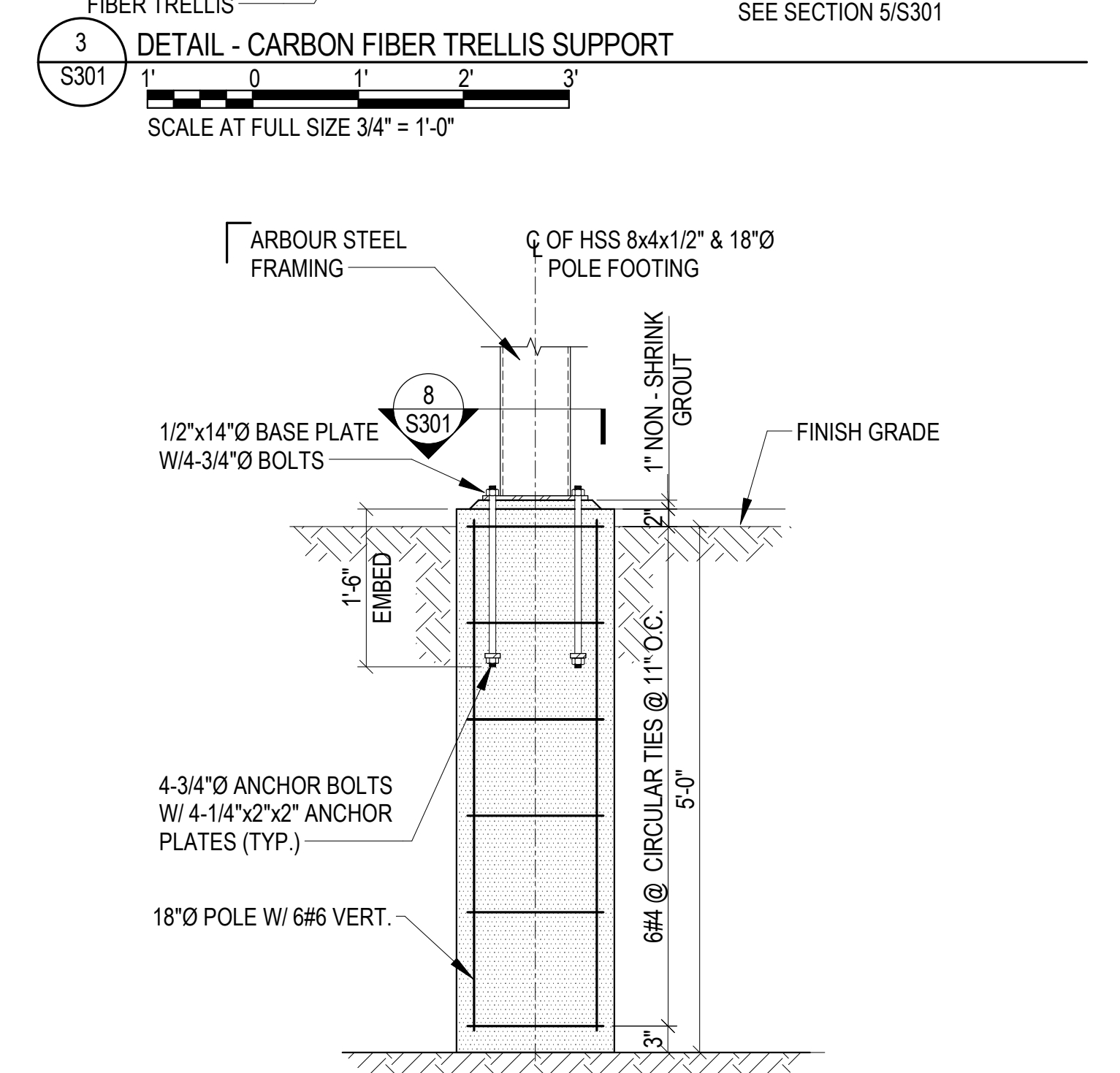
4 DETAIL - CARBON FIBER TRELLIS SUPPORT
S301
SCALE AT FULL SIZE 3/4" = 1'-0"



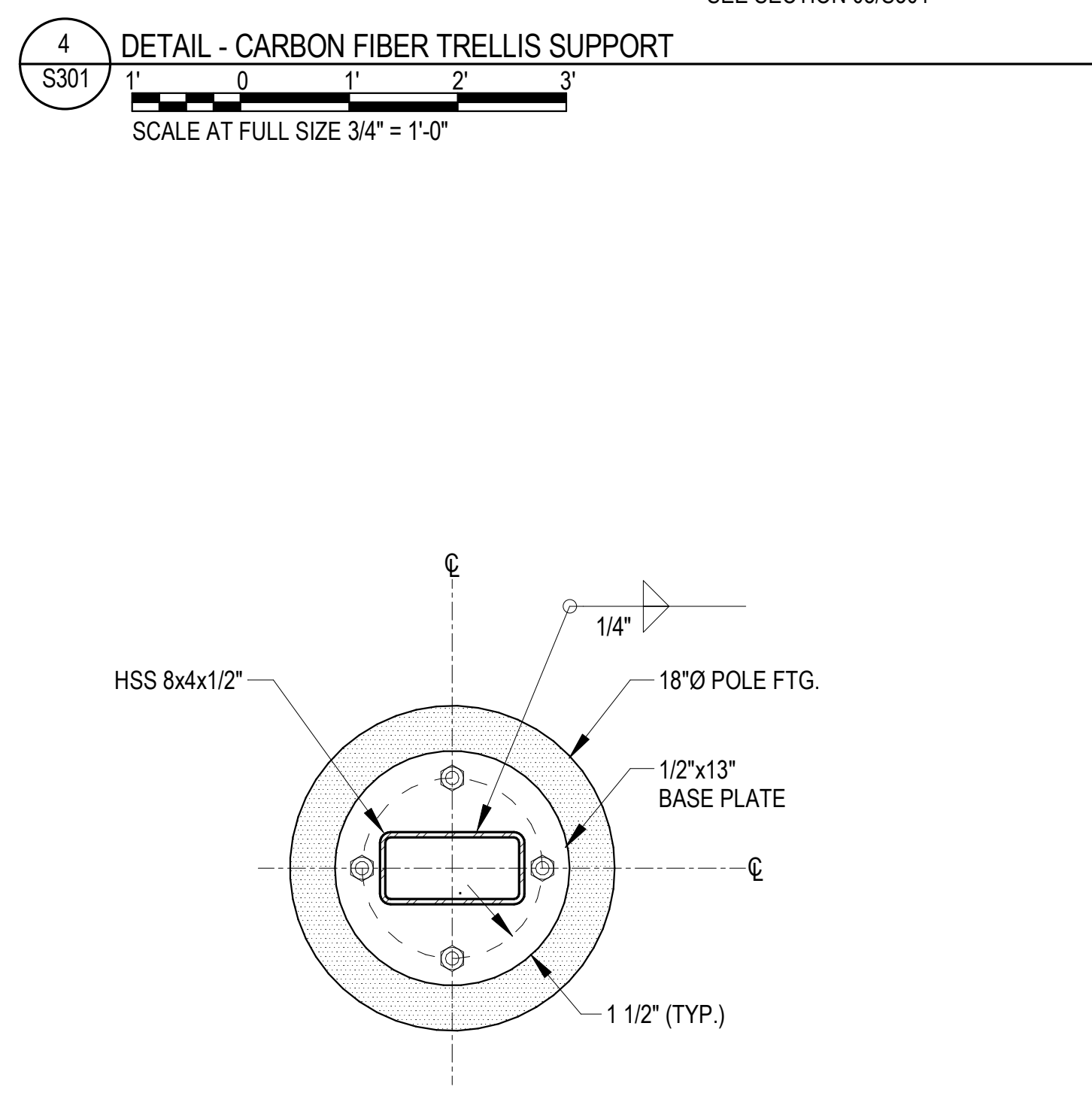
5 SECTION - TRELLIS-TO-CAST IN PLATE
S301
SCALE AT FULL SIZE 1 1/2" = 1'-0"



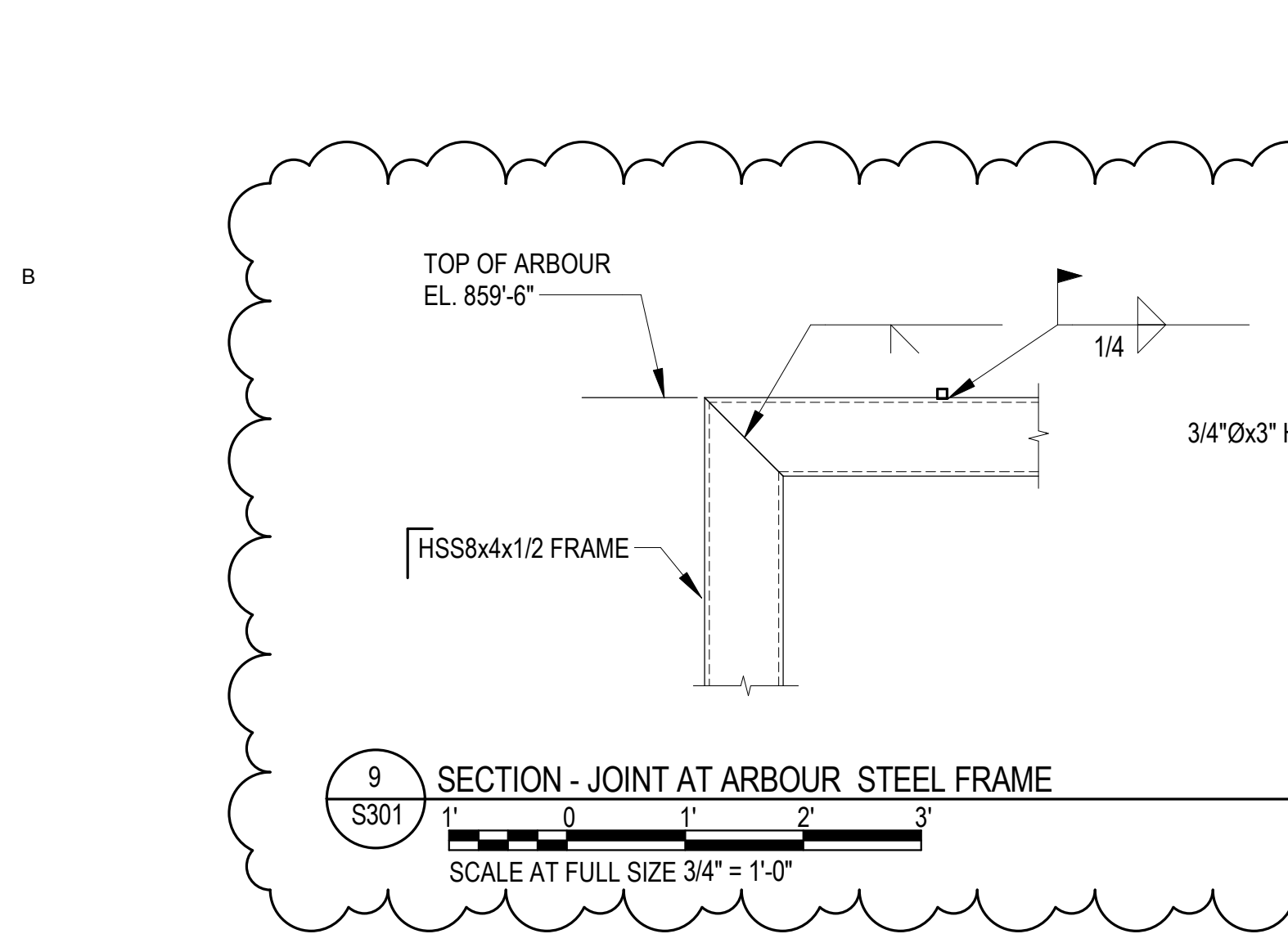
6 SECTION - TRELLIS-TO-CANTILEVERED TUBE
S301
SCALE AT FULL SIZE 1 1/2" = 1'-0"



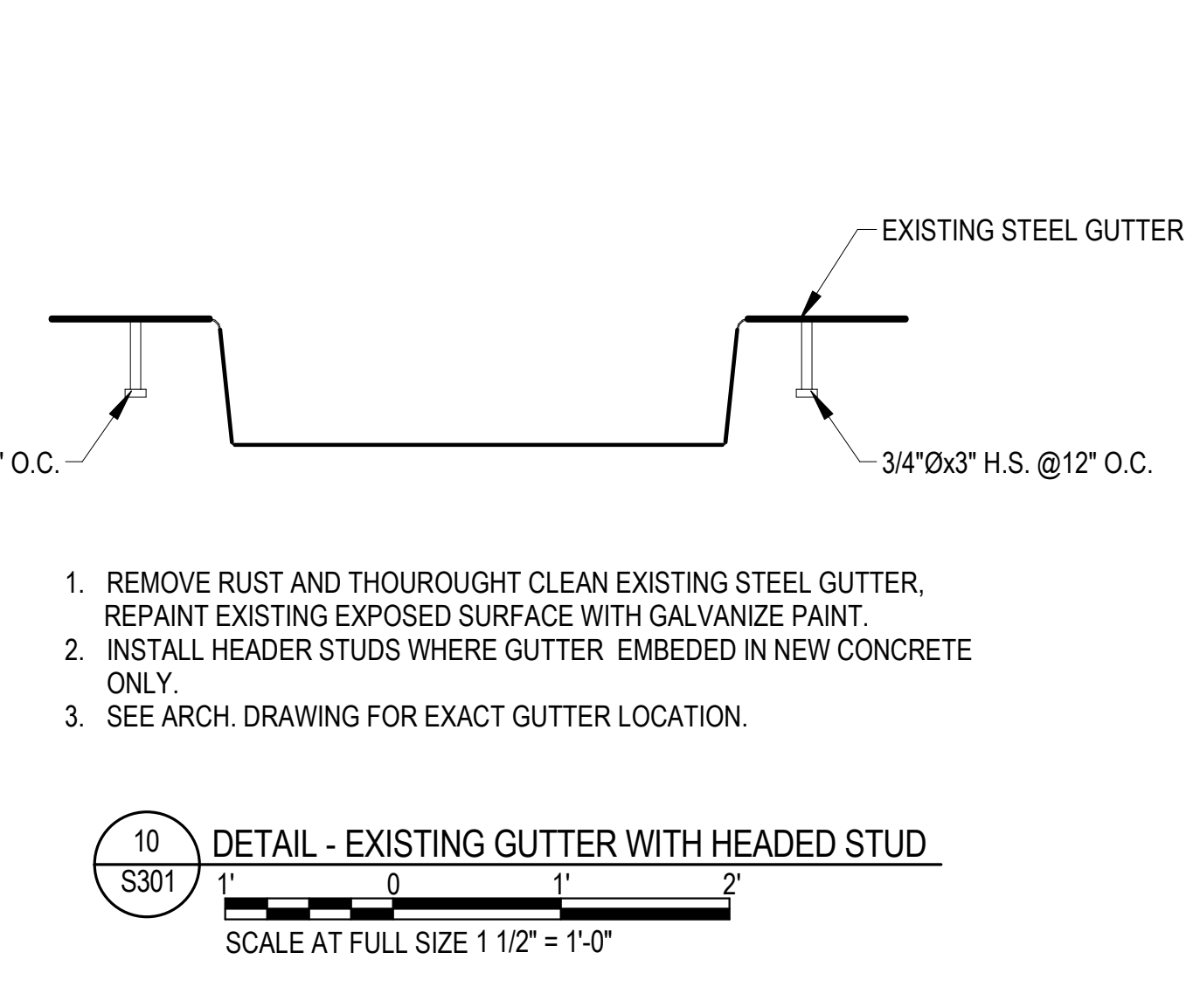
7 SECTION - ARBOUR BASE PLATE DETAIL
S301
SCALE AT FULL SIZE 3/4" = 1'-0"



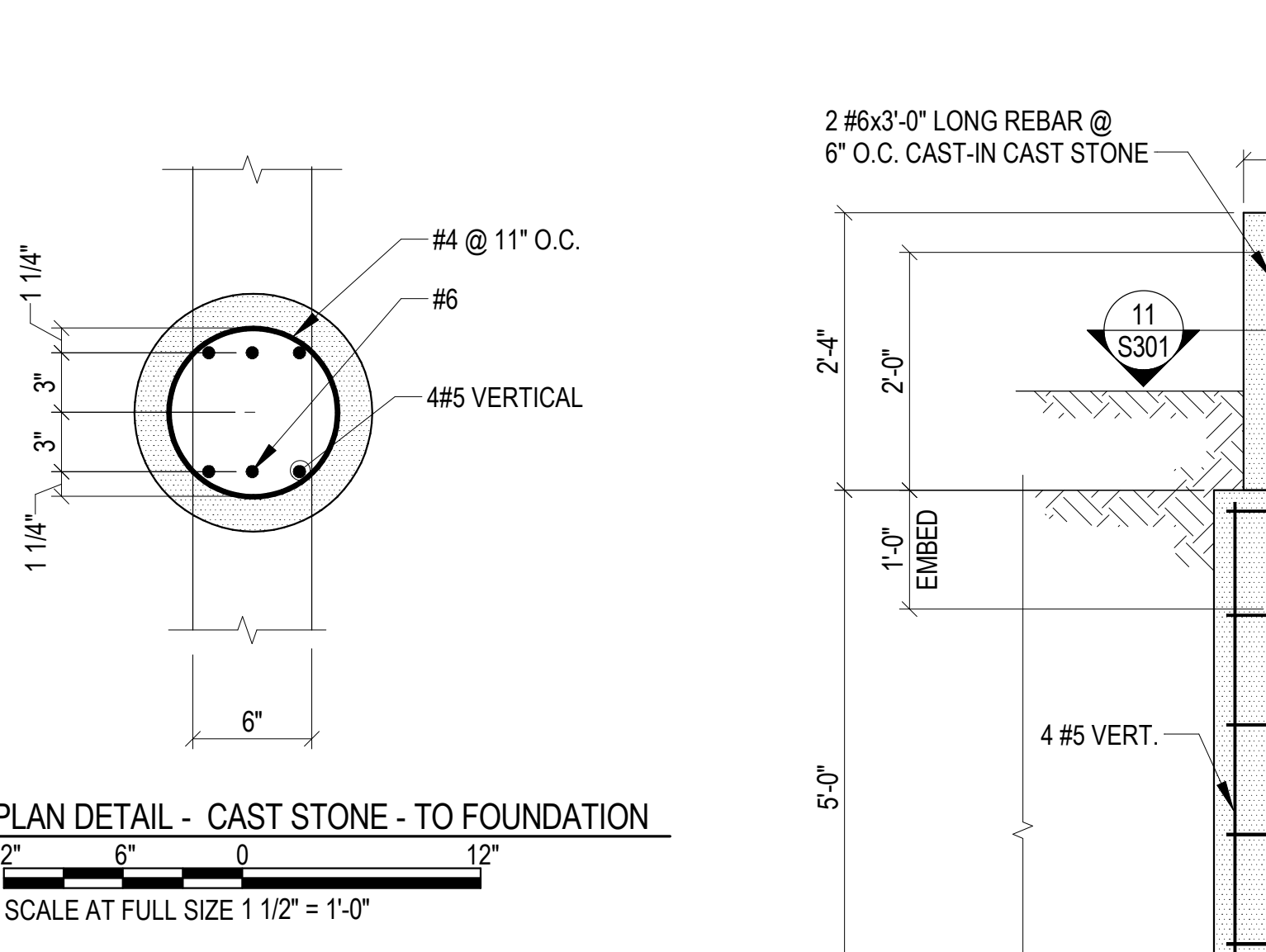
8 PLAN DETAIL - ARBOUR BASE PLATE DETAIL
S301
SCALE AT FULL SIZE 1 1/2" = 1'-0"



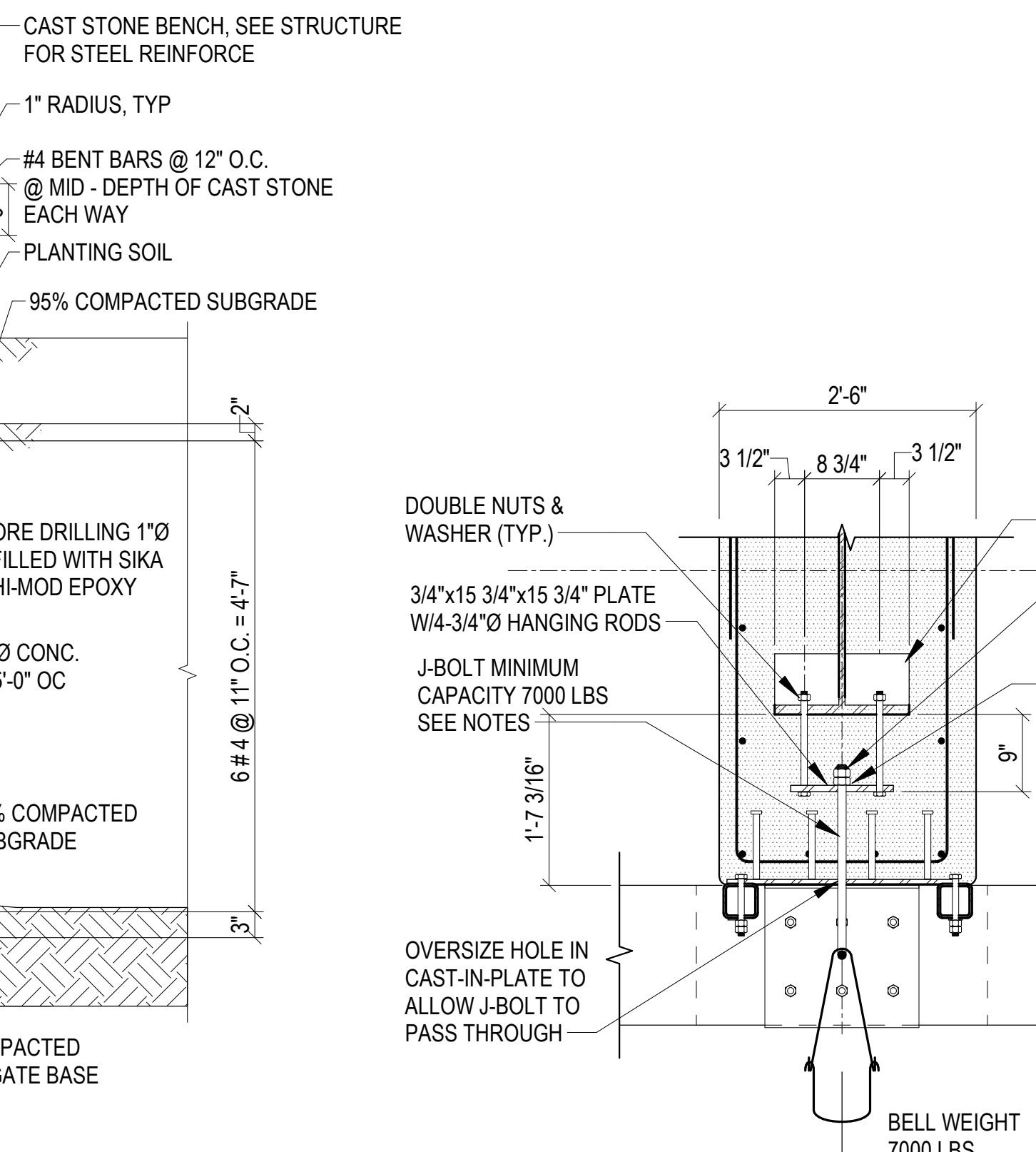
9 SECTION - JOINT AT ARBOUR STEEL FRAME
S301
SCALE AT FULL SIZE 3/4" = 1'-0"



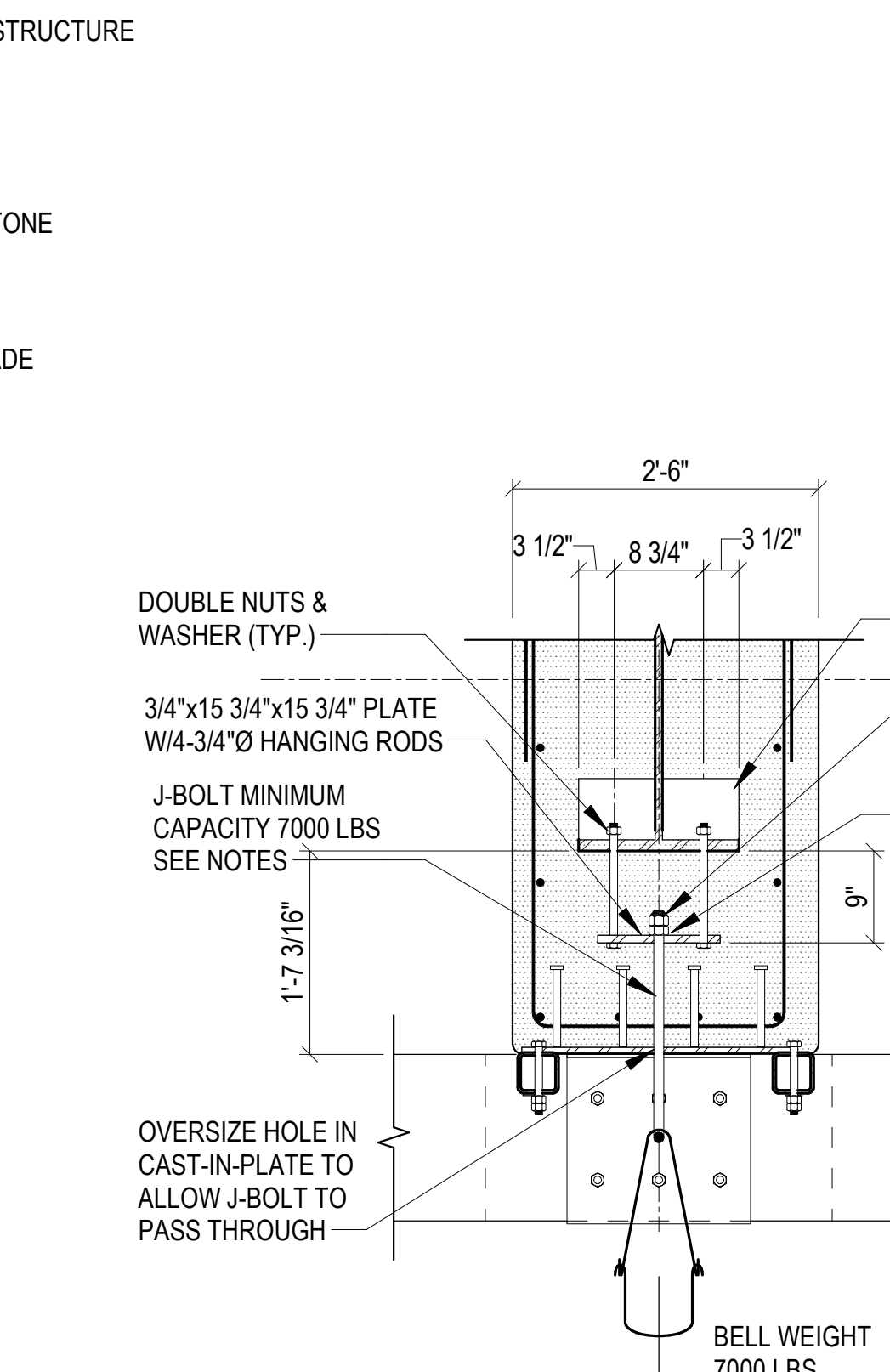
10 DETAIL - EXISTING GUTTER WITH HEADED STUD
S301
SCALE AT FULL SIZE 1 1/2" = 1'-0"



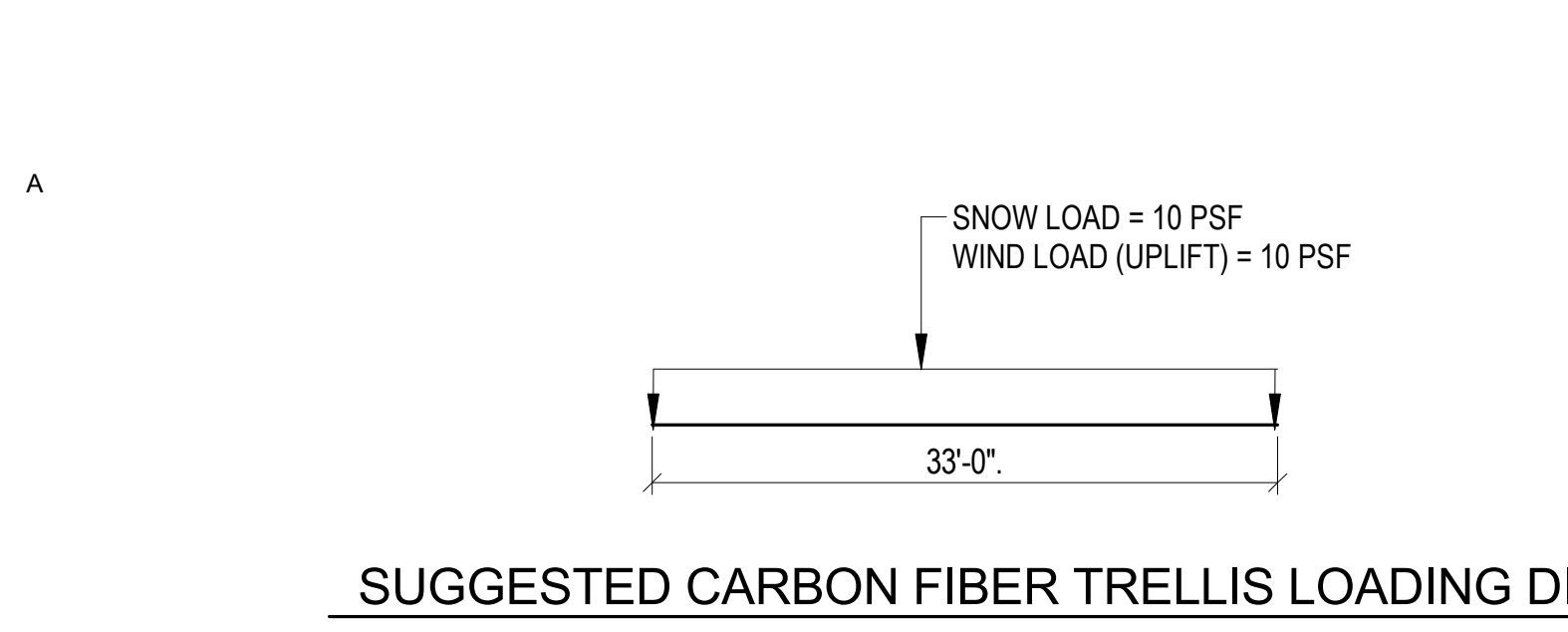
11 PLAN DETAIL - CAST STONE - TO FOUNDATION
S301
SCALE AT FULL SIZE 1 1/2" = 1'-0"



12 DETAIL - TYP. BENCH SUPPORT
S301
SCALE AT FULL SIZE 3/4" = 1'-0"



13 TYP. BELL SUPPORT DETAIL
S301
SCALE AT FULL SIZE 3/4" = 1'-0"



SUGGESTED CARBON FIBER TRELLIS LOADING DIAGRAM

LAYOUT NOTES

- CONTRACTOR SHALL VERIFY ALL EXISTING CONDITIONS AND LAYOUT DIMENSIONS IN THE FIELD. DO NOT PROCEED WITH ANY WORK IF ANY DISCREPANCIES, SUCH AS OBSTRUCTIONS AND/OR GRADE DIFFERENCES THAT MAY NOT HAVE BEEN KNOWN DURING DESIGN, ARE PRESENT. SUCH CONDITIONS SHALL BE REPORTED TO THE LANDSCAPE ARCHITECT (LA) IMMEDIATELY. THE CONTRACTOR SHALL ASSUME COMPLETE RESPONSIBILITY FOR ALL REVISIONS DUE TO FAILURE TO GIVE SUCH NOTIFICATION.
- DO NOT SCALE DRAWINGS. ALL WRITTEN DIMENSIONS SUPERSEDE ALL SCALED DISTANCES AND DIMENSIONS. ALL LINES AND DIMENSIONS ARE PARALLEL AND PERPENDICULAR TO THE LINES FROM WHICH THEY ARE MEASURED UNLESS OTHERWISE INDICATED. IF DIMENSIONS OR ANY NECESSARY INFORMATION IS UNCLEAR OR MISSING, OR IF THE CONTRACTOR FINDS ANY DISCREPANCIES, CONTACT THE LA FOR CLARIFICATION.
- ALL EXISTING TREES TO REMAIN SHALL BE FENCED AT THE DRIP LINE OF THEIR CANOPIES, OR PER PLANS IF PLANS INDICATE A LARGER TREE PROTECTION ZONE. DO NOT DRIVE VEHICLES, STOCKPILE SOIL OR CONSTRUCTION MATERIALS, OR PERFORM ANY CONSTRUCTION OPERATIONS WITHIN THE DRIP LINE, ROOT ZONE, OR PROTECTIVE FENCING OF EXISTING TREES. CONTRACTORS NOT FOLLOWING THESE PROTECTIVE RULES SHALL BE LIABLE FOR THE COST OF AN ARBORIST'S FEES AND TREATMENT OF THE TREES AND/OR REPLACEMENT OF THE TREES AND ALL ASSOCIATED COSTS. BEFORE FINAL GRADING AND PLANTING BEGINS, THE LA WILL INSPECT TREE PROTECTION AREAS FOR COMPACTION AND MECHANICAL DAMAGE. IF THE LA DETERMINES THAT EITHER OF THESE EXISTS, THE CONTRACTOR WILL REMEDY AT HIS EXPENSE. MEASURES MAY INCLUDE BUT ARE NOT LIMITED TO EVALUATION BY A LICENSED ARBORIST, AIRSPADING, BIOPLEX TREATMENT, CABLING, ROOT PRUNING AND PRUNING OF CANOPY/LIMBS.
- CONTRACTOR IS RESPONSIBLE FOR DETERMINING THE LOCATION OF ALL EXISTING UTILITIES PRIOR TO COMMENCING WORK. CONTACT THE LOCAL UTILITY AGENCY A MINIMUM OF 72 HOURS IN ADVANCE. CONTRACTOR SHALL TAKE SOLE RESPONSIBILITY FOR ANY COST INCURRED FOR DAMAGE TO UTILITIES, PIPES AND STRUCTURES DUE TO THEIR WORK.
- ALL DIMENSIONS ARE TO FACE OF TREAD, FACE OF EDGING, FACE OF CURB AND FACE OF WALLS, ETC., UNLESS OTHERWISE NOTED.
- ALL HORIZONTAL DIMENSIONS OF PAVERS, TREADS, COPING, CURBS, ETC. ARE TO CENTER OF JOINT, UNLESS OTHERWISE NOTED.
- INSTALL 1/2" NON-ASPHALTIC EXPANSION JOINTS TO FULL DEPTH OF THE AS SHOWN IN THE DRAWINGS AND AT THE JUNCTION BETWEEN PAVING AND ANY EXISTING PAVING, STRUCTURE OR ANY VERTICAL SURFACE SUCH AS FACES OF WALLS, STEPS, CURBS, ETC. OR AS ADJUSTED BY LA IN THE FIELD.
- THE CONTRACTOR SHALL TAKE ALL NECESSARY PRECAUTIONS TO PROTECT ANY SITE STRUCTURES, PAVING AND BUILDING ENVELOPES FROM DAMAGE. ANY DAMAGE CAUSED BY THE CONTRACTOR OR THE CONTRACTOR'S REPRESENTATIVE DUE TO THEIR WORK SHALL BE REPAIRED AT NO COST TO THE OWNER.
- NOTIFY LANDSCAPE ARCHITECT IMMEDIATELY IF CONFLICTS IN LAYOUT OF LANDSCAPE FEATURES ARISE DUE TO CHANGES TO OTHER CONSULTANTS' DOCUMENTS. ANY ALTERATIONS TO THESE DRAWINGS PROPOSED IN THE FIELD FOR CONSTRUCTION SHALL BE PROMPTLY REPORTED TO THE LANDSCAPE ARCHITECT FOR APPROVAL PRIOR TO CONSTRUCTION.
- REFER TO GENERAL NOTES FOR ADDITIONAL REQUIREMENTS.

STABILIZED GRAVEL NOTES:

- MANUFACTURERS:
 - DECOMPOSED GRANITE SHALL BE PROVIDED BY: KAFKA OR EQUAL APPROVED BY LA.
 - STABILIZER FOR CRUSHED AGGREGATE SURFACES PROVIDED BY FOLLOWING MANUFACTURER OR EQUAL APPROVED BY LA.:
STABILIZER SOLUTIONS, INC. 33 S. 28TH ST., PHOENIX, AZ 85034;
PHONE (602) 225-5900, (800) 336-2468; FAX (602) 225-5902;
WEBSITE WWW.STABILIZERSOLUTIONS.COM; EMAIL INFO@STABILIZERSOLUTIONS.COM
- MATERIALS:
 - DECOMPOSED GRANITE OR 3/8" OR 1/4" CRUSHED AGGREGATE SCREENINGS
 - SAND AND CRUSHED STONE SHALL CONSIST OF INERT MATERIALS THAT ARE HARD AND DURABLE, WITH STONE FREE FROM SURFACE COATINGS AND DELETERIOUS MATERIALS. GRADATION REQUIREMENTS SHALL BE AS FOLLOWS:
 - CRUSHED STONE SIEVE ANALYSIS PERCENTAGE OF WEIGHT PASSING A SQUARE MESH SIEVE AASHTO T11-82 AND T2782

1/4" MINUS AGGREGATE GRADATION	
U.S. SIEVE NO.	PERCENT PASSING BY WEIGHT
#4	100
#8	75-80
#16	55-65
#30	40-50
#50	25-35
#100	15-20
#200 TO	10-15

- COLOR: SNOW WHITE GRANITE OR EQUAL APPROVED BY LA.
- STABILIZER BINDER
 - PATENTED, NON TOXIC, ORGANIC BINDER THAT IS COLORLESS AND ODORLESS CONCENTRATED POWDER THAT BINDS DECOMPOSED GRANITE OR CRUSHED 3/8" OR 1/4" MINUS AGGREGATE.

STABILIZED GRAVEL WALKWAY, DIFFERENT COLOR FROM THE EXISTING WALKWAY. TO BE INSTALLED ONLY BY INSTALLER APPROVED BY THE MANUFACTURER. SEE STABILIZED GRAVEL NOTES AND DETAIL 5/L0501. TYP.

CAST STONE BENCH @ PLANTED AREA, SEE DETAIL 8/L0501.

CAST STONE BENCH @ BLUESTONE PAVING, SEE DETAIL 9/L0501. TYP.

CAST STONE BOLLARD, SEE DETAIL 2/L0502.

NEW WALKWAY TO MATCH THE EXISTING.

EXISTING WALKWAY, PROTECT IN PLACE.

CONCRETE FLUSH BAND, COLOR TO MATCH CAST STONE.

BRASS PLATE, TYP.

BLUESTONE PAVING, SEE DETAIL 1/L0501.

CENTRAL CONCRETE STRUCTURE, SEE STRUCTURAL DRAWINGS.

EXISTING GUTTER, SEE DETAIL 2/L0501.

CAST STONE BENCH IN STABILIZED GRAVEL, SEE DETAIL 7/L0501. TYP.

CARBON FIBER BACK OF BENCH, SEE DETAIL 1/L0502. TYP.

EXISTING WALKWAY, PROTECT IN PLACE.

STEPPING STONE, RANDOMLY PLACED IN PLANTED AREA, TYP.

CONCRETE FLUSH BAND, COLOR TO MATCH CAST STONE.

1 MATERIAL AND LAYOUT PLAN
Scale: 1" = 10 ft



740 7th Street SE
Washington, DC 20003

202/640/2929
fax 202/640/2905

demianwilbur.com

CONSULTANTS

STRUCTURAL:
KEAST & HOOD STRUCTURAL ENGINEERS
1350 Connecticut Avenue NW, Suite 412
Washington, DC 20036
Phone: (202) 223-1941
Contact: Michael Synnott
Email: msynnott@keasthood.com



LANDSCAPE ARCHITECT:
LANDSCAPE ARCHITECTURE BUREAU
714 7th Street SE
Washington, DC 20003
Phone: 202-543-6550
Contact: Jonathan Fitch
Email: info@labinc.com



REGISTRATION

PROJECT INFORMATION

INTERNATIONAL FRIENDSHIP BELL

BISSELL PARK, OAK RIDGE, TN

PROJECT NUMBER 201653

ISSUE RECORD

MARK	DATE	DESCRIPTION
7-5-17		ISSUED FOR PRICING
7-10-17		ADDENDUM 1

DRAWING INFORMATION

Drawing Scale: 1" = 10'-0"
Drawn By: RR
Checked By: JF

MATERIAL AND LAYOUT PLAN

L0101