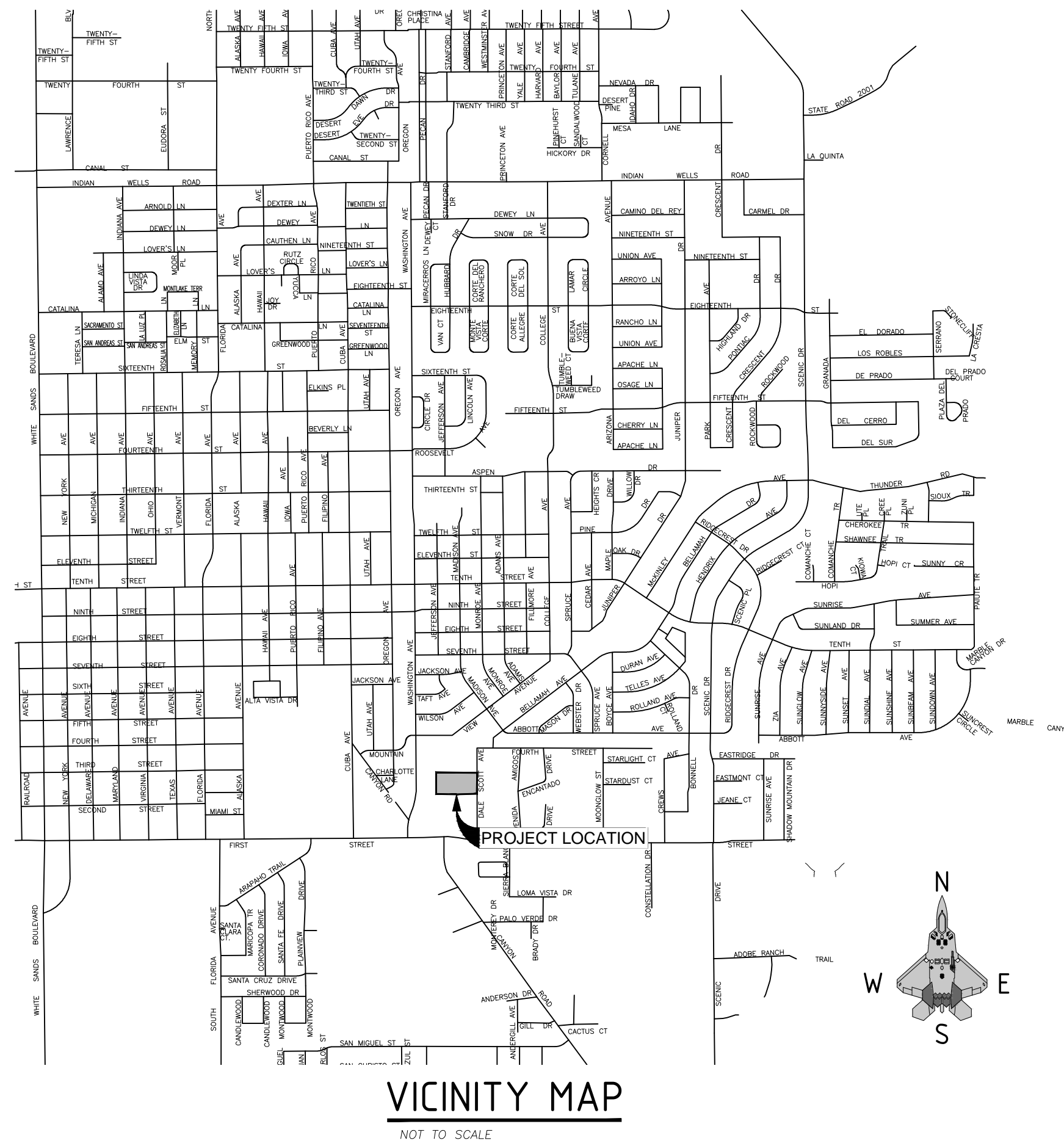


DEPARTMENT OF PUBLIC WORKS



Sheet Legend

- Sht 1 - Cover Sheet with Vicinity Map
- G - General Sheets
- Q - Summary of Quantities
- EW - Earthwork Quantities (Large projects)
- SR - Survey Sheet and Control Points
- TY - Typical Sections
- R - Removal Plan Sheets
- RC - Roadway Construction Plans
- I - Intersection Detail Plan Sheets
- D - Miscellaneous Detail Plan Sheets
- GD - Grading and Drainage Plans
- ST - Pavement Marking Plans and Details
- TS - Traffic Signing Plans and Details
- T - Traffic Signal Plans and Details
- L - Lighting Plan and Details
- U - Utility Plans and Details
- CS - Construction Staging Plans
- TC - Construction Traffic Control Plan and Details
- B - Bridge Plan and Detail Sheets
- RW - Retaining Wall Plan and Detail Sheets
- NMDOT - New Mexico Department of Transportation Standard Drawings

2018 IMPROVEMENTS PLANS FOR WASHINGTON PARK BASKETBALL COURT

City Commissioners

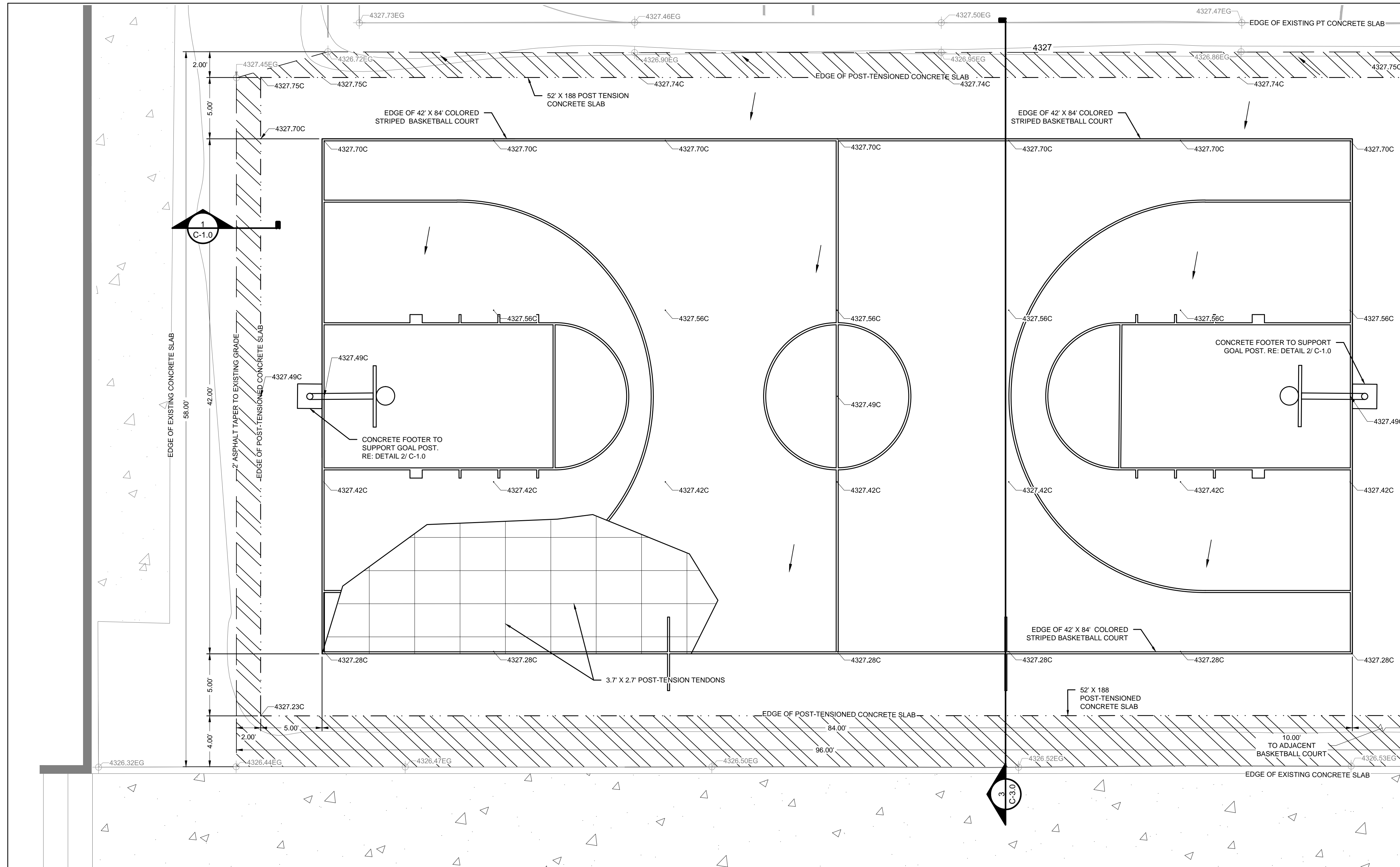
- Richard A. Boss, Mayor
- Jason Baldwin, Mayor Pro-Tem
- Nadia Sikes
- Susan L. Payne
- Josh Rardin
- Alfonso "Al" Hernandez
- Dusty Wright

SHEET INDEX

- G-1.0 COVER SHEET / CONTACT LIST
- C-1.0 WEST SITE LAYOUT
- C-2.0 EAST SITE LAYOUT
- C-3.0 DETAIL SHEET

ZIA ENGINEERING & ENVIRONMENTAL CONSULTANTS

AGENCY	PLAN REVIEW BY	DATE	DEPARTMENT	PLAN REVIEW BY	DATE	REVISIONS			ENGINEERING DIVISION
						NUMBER	DESCRIPTION	DATE	
POWER NEW MEXICO			ENGINEERING			1	60 PERCENT SUBMITTAL	3-12-18	ENGINEERING DIVISION
NEW MEXICO GAS COMPANY			UTILITIES DEPARTMENT			2	90 PERCENT SUBMITTAL	4-17-18	
QWEST			STREETS AND DRAINAGE			3	100 PERCENT SUBMITTAL	5-07-18	COVER SHEET/CONTACT LIST
BAJA CABLE			FACILITY MAINTENANCE						Public Works Bid No.: 2018-005
TULAROSA BASIN TELEPHONE COMPANY			COMMUNITY DEVELOPMENT						Engineering No.: NB1804
OTERO COUNTY ELECTRIC COOPERATIVE			PLANNING AND ZONING						
			PARKS						
			DEPARTMENT OF PUBLIC SAFETY						



LEGEND	
LIMITS OF CONSTRUCTION	---
EXISTING HOCKEY AREA(TO REMAIN)	---
MATCH LINE	---
EXISTING ASPHALT AND PAINT TO BE REMOVED	---
MINOR CONTOUR	-3891-
EXISTING 10' BLOCK WALL TO REMAIN	---
EXISTING CONCRETE TO REMAIN	---
NEW ASPHALT TAPER	---
EXISTING GRADE	4327.50EG
NEW ASPHALT TAPER SPOT ELEVATION	4327.50A
NEW CONCRETE SPOT ELEVATION	4327.50C
DRAINAGE FLOW	---



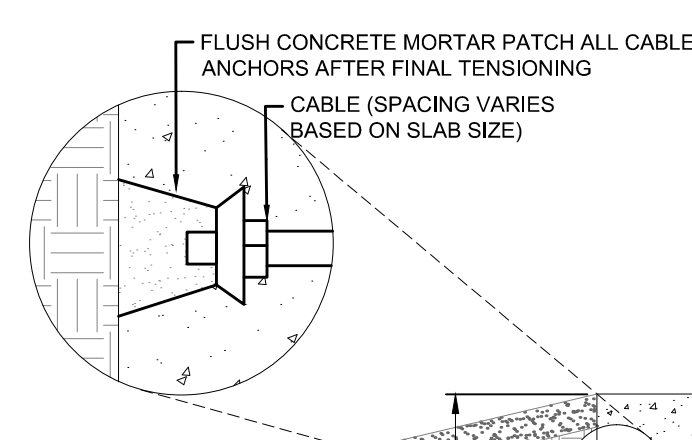
INDEX MAP
SCALE: N.T.S.

GENERAL GRADING NOTES:

- CONTRACTOR IS RESPONSIBLE FOR INTERIM GRADING, CLEANING, AND PROTECTION OF ALL IMPROVEMENTS UNTIL THE STRUCTURES ARE COMPLETE AND ACCEPTED BY THE OWNER.
- GRADES SHALL SLOPE UNIFORMLY BETWEEN SPOT ELEVATIONS.
- IF ANY EXISTING STRUCTURES TO REMAIN ARE DAMAGED DURING CONSTRUCTION IT SHALL BE THE CONTRACTORS RESPONSIBILITY TO REPAIR AND/OR REPLACE THE EXISTING STRUCTURE AS NECESSARY TO RETURN IT TO EXISTING CONDITIONS OR BETTER.
- CONTRACTOR IS RESPONSIBLE FOR BEING IN COMPLIANCE WITH FEDERAL, STATE, AND LOCAL CODES DURING EXCAVATION, TRANSPORTATION, AND DISPOSAL OF EXCESS DIRT. DUMPING SITE NEEDS TO BE APPROVED BY LOCAL AUTHORITIES. CONTRACTOR MUST IMPLEMENT EROSION CONTROL MEASURES ON APPROVED DISPOSAL SITE AND MAINTAIN THEM DURING DISPOSAL OPERATIONS.
- CONSTRUCTION SHALL COMPLY WITH ALL APPLICABLE GOVERNING CODES AND BE CONSTRUCTED TO SAME.
- SEE SHEET C-2.0 FOR SURVEY BENCHMARK.
- STRIPPED MATERIALS CONSISTING OF VEGETATION AND ORGANIC MATERIALS SHOULD BE WASTED FROM THE SITE OR CHIPPED AND USED TO MULCH SEEDED AREAS AFTER COMPLETION OF GRADING OPERATIONS.

GENERAL NOTES:

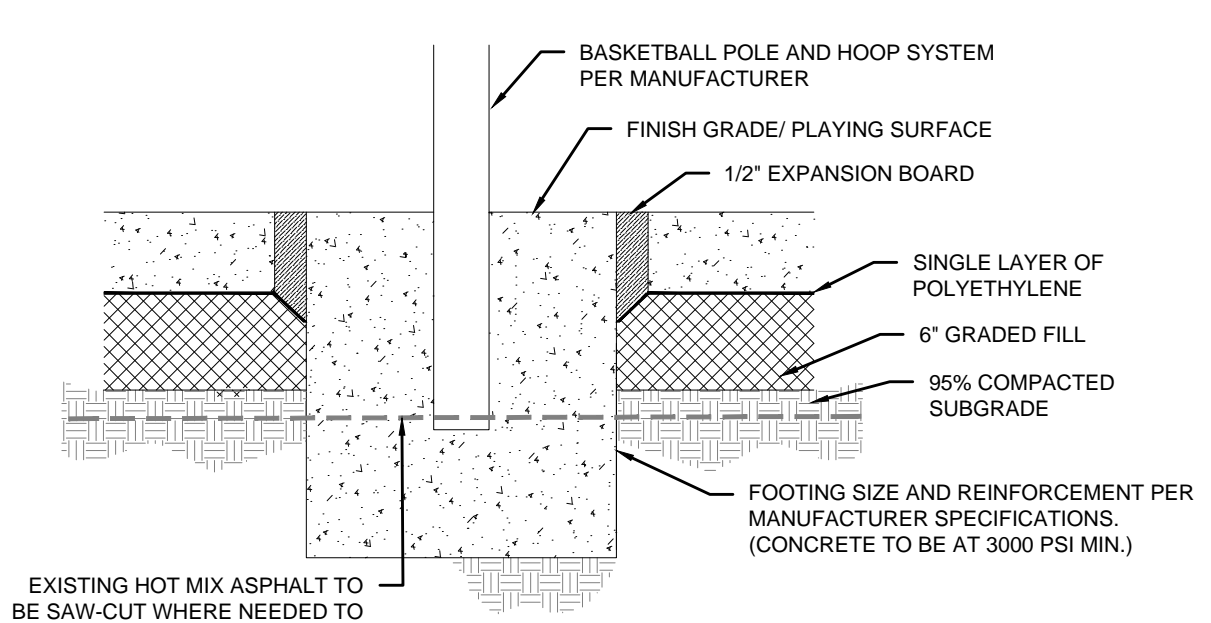
- ALL WRITTEN DIMENSIONS SHALL PREVAIL.
- BASKETBALL COURT TO BE POST-TENSIONED CONCRETE SLAB.
- ALL COURT STRIPING TO BE 2" WIDTH PAINTED WHITE.
- CONTRACTOR SHALL PROTECT ALL EXISTING STRUCTURES AND IMPROVEMENTS TO REMAIN.
- CONTRACTOR SHALL FIELD VERIFY ALL SITE CONDITIONS IN THE FIELD AND DIMENSIONS SHOWN ON THE DRAWINGS AND REPORT ANY DISCREPANCIES TO THE CITY OF ALAMOGORDO PRIOR TO THE START OF CONSTRUCTION.
- CONTRACTOR SHALL REFER ANY QUESTIONS ON SITE MATERIALS, FINISHES AND/OR PRODUCTS NOT SPECIFIED HEREIN TO THE CITY OF ALAMOGORDO PRIOR TO ORDERING MATERIALS OR STARTING WORK.
- DIMENSIONS FOR BASKETBALL COURT LAYOUT ARE FROM THE OUTSIDE TO OUTSIDE OF THE LINES. FULL COURT LAYOUT LINES SHALL BE 2" WIDE (TWO COATS) OF NON-REFLECTIVE PAINT CONFORMING TO STANDARD SPECIFICATIONS.



DETAIL 1
POST TENSION TENDONS

POST TENSION NOTES:

- POST-TENSIONING SHALL MEET ALL CURRENT STANDARDS OF THE POST-TENSIONING INSTITUTE(PTI).
- INSTALLATION PROCEDURES, TO BE REVIEWED PRIOR TO BEGINNING INSTALLATION OF BASKETBALL COURT.
- ALL TENDONS SHALL BE 0.5" DIA. - 270 KSI SINGLE STRAND,(UNBONDED)
- ALL CONCRETE SHALL BE 3000 P.S.I MIN.
- PARTIAL STRESSING (25%) SHALL BE REQUIRED @ 24 HOURS! 100% STRESSING SHALL BE COMPLETED WITHIN 7 DAYS.
- SUBMIT CONCRETE MIX DESIGN FOR REVIEW BY OWNER.
- SPACE THE TENDONS EVENLY AROUND THE PIERS FOR THE GOAL POSTS.(CENTER THE POSTS BETWEEN TENDONS).



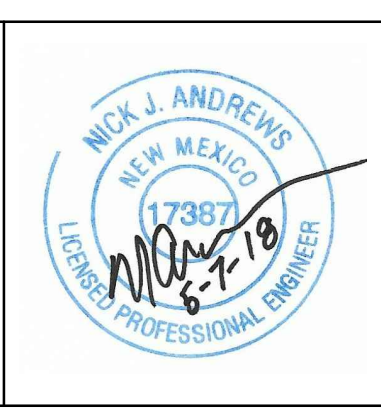
DETAIL 2
BASKETBALL GOAL POST FOOTING

REV. No.	DATE	DESCRIPTION	APPROVED
1	3-12-18	60 PERCENT SUBMITTAL	
2	4-17-18	90 PERCENT SUBMITTAL	
3	5-07-18	100 PERCENT SUBMITTAL	

New Mexico One Call, Inc. Call 2 days before you dig!
NMOC Dial 811 or 1-800-321-2537
 Professional Resources for Damage Prevention



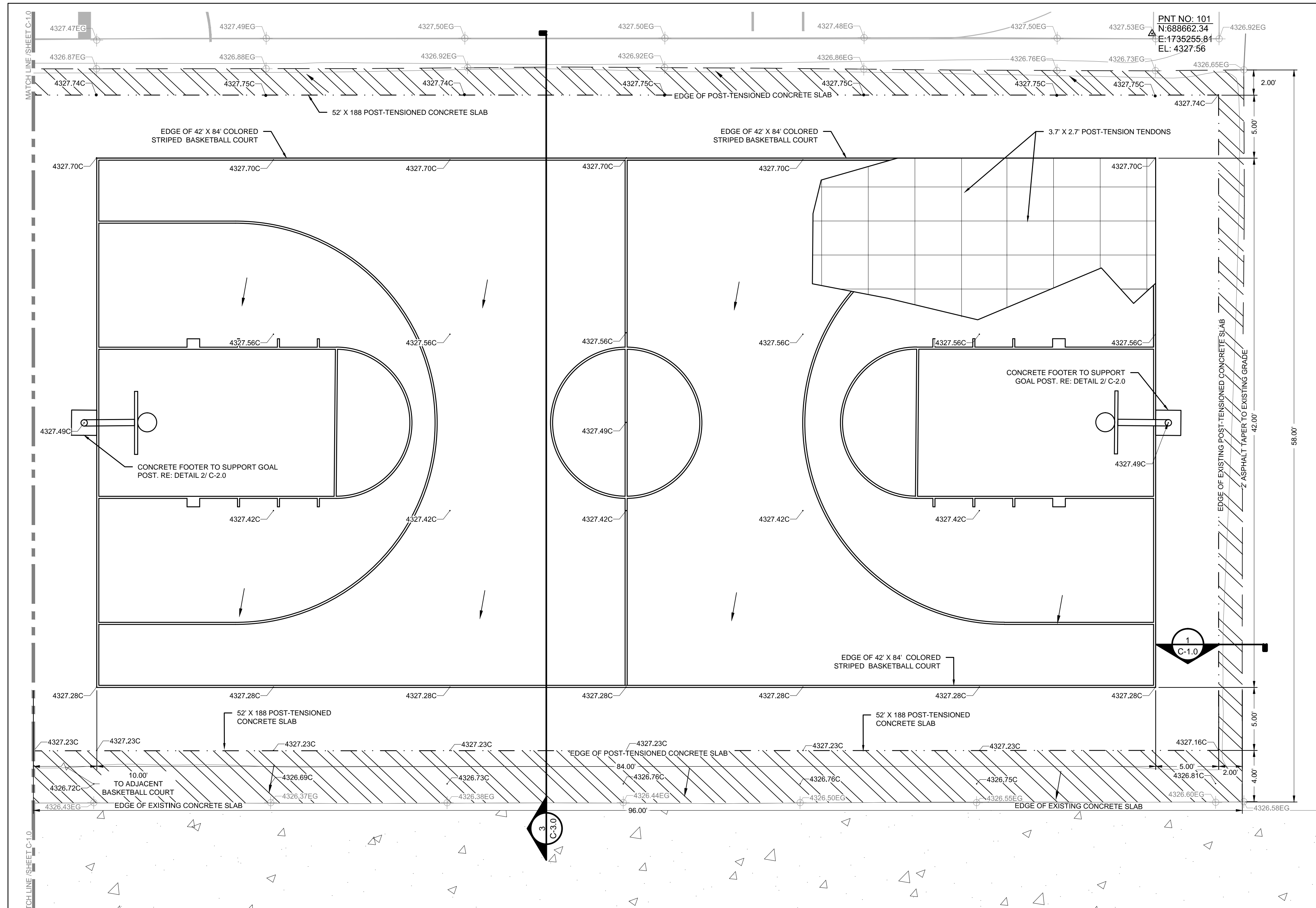
WASHINGTON PARK BASKETBALL COURT
WEST SITE LAYOUT
 CITY OF ALAMOGORDO, NEW MEXICO, DEPARTMENT OF PUBLIC WORKS



zia engineering & environmental consultants, llc
 SDB/GSA Environmental Services
 201 N. Church St. Ste #300
 Las Cruces, New Mexico 88001
 Phone: (575) 532-1526
 Fax: (575) 532-1587
 www.ziaeec.com

Public Works Bid No.: 2018-005
 Drawn By: J.S. Designed By: J.S.
 Checked By: W.H. Approved By: N.A.
 Scale: **SCALE: 1" = 5'**

Sheet No.: **C-1.0**
 Sheet 2 of 4
 NB1804



LEGEND	
LIMITS OF CONSTRUCTION	---
EXISTING HOCKEY AREAN(TO REMAIN)	---
MATCH LINE	---
EXISTING ASPHALT AND PAINT TO BE REMOVED	---
MINOR CONTOUR	---3891---
EXISTING 10' BLOCK WALL TO REMAIN	---
EXISTING CONCRETE TO REMAIN	---
NEW ASPHALT TAPER	---
EXISTING GRADE	4327.50EG
NEW ASPHALT TAPER SPOT ELEVATION	4327.50A
NEW CONCRETE SPOT ELEVATION	4327.50C
DRAINAGE FLOW	---



INDEX MAP
SCALE: N.T.S

GENERAL GRADING NOTES:

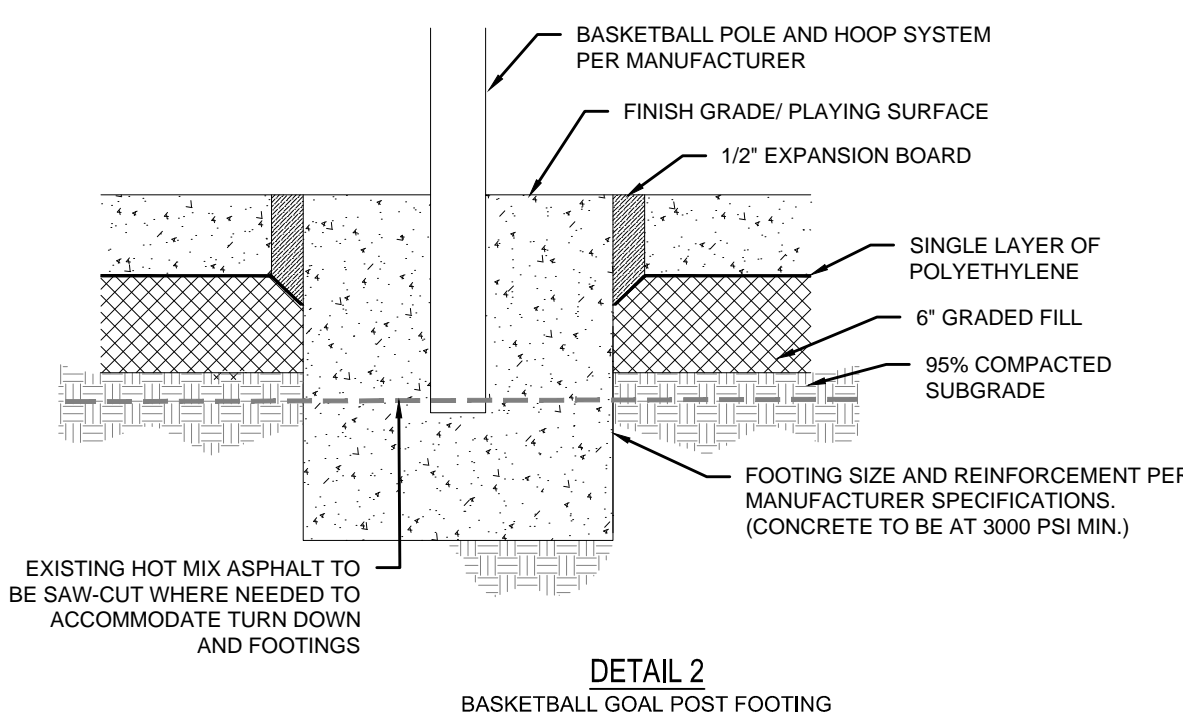
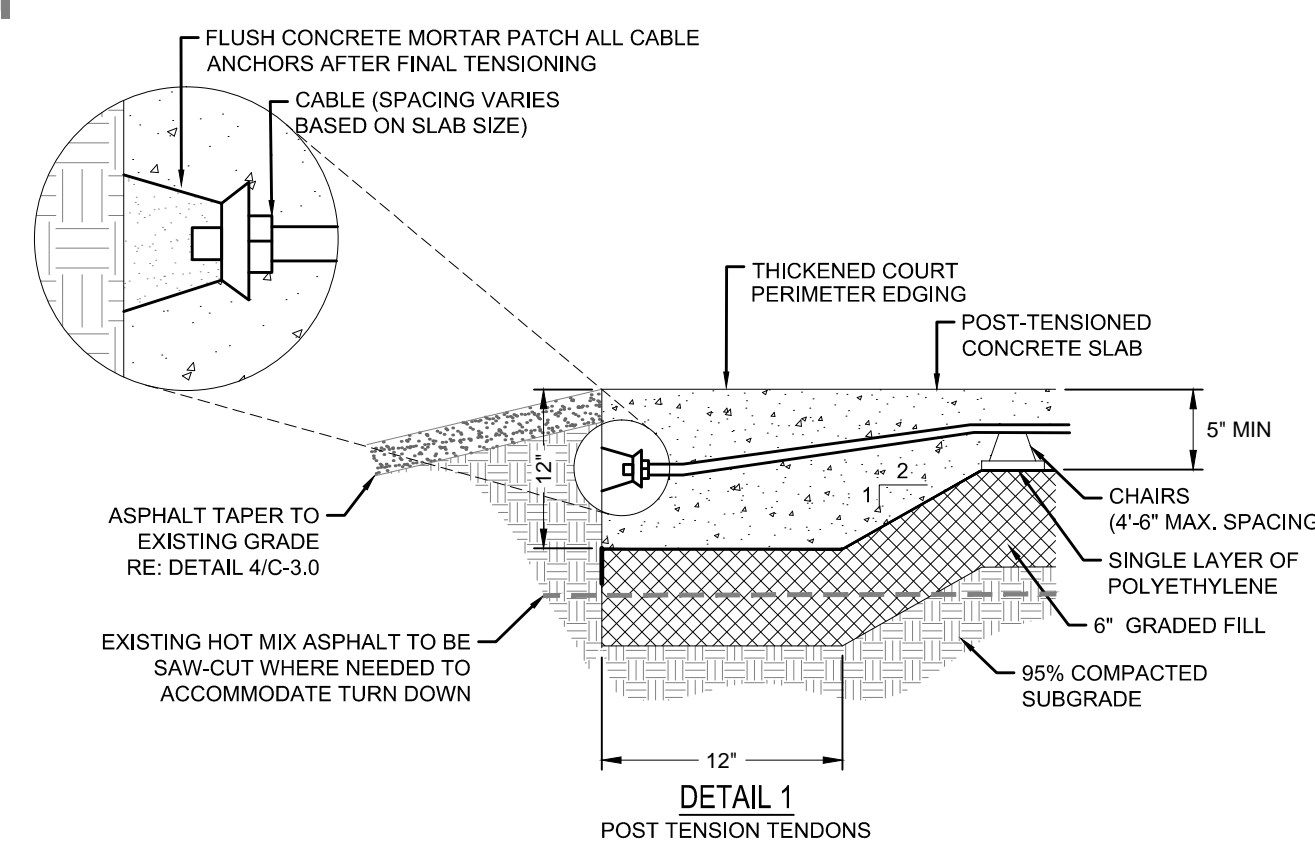
- CONTRACTOR IS RESPONSIBLE FOR INTERIM GRADING, CLEANING, AND PROTECTION OF ALL IMPROVEMENTS UNTIL THE STRUCTURES ARE COMPLETE AND ACCEPTED BY THE OWNER.
- GRADES SHALL SLOPE UNIFORMLY BETWEEN SPOT ELEVATIONS.
- IF ANY EXISTING STRUCTURES TO REMAIN ARE DAMAGED DURING CONSTRUCTION IT SHALL BE THE CONTRACTORS RESPONSIBILITY TO REPAIR AND/OR REPLACE THE EXISTING STRUCTURE AS NECESSARY TO RETURN IT TO EXISTING CONDITIONS OR BETTER.
- CONTRACTOR IS RESPONSIBLE FOR BEING IN COMPLIANCE WITH FEDERAL, STATE, AND LOCAL CODES DURING EXCAVATION, TRANSPORTATION, AND DISPOSAL OF EXCESS DIRT. DUMPING SITE NEEDS TO BE APPROVED BY LOCAL AUTHORITIES. CONTRACTOR MUST IMPLEMENT EROSION CONTROL MEASURES ON APPROVED DISPOSAL SITE AND MAINTAIN THEM DURING DISPOSAL OPERATIONS.
- CONSTRUCTION SHALL COMPLY WITH ALL APPLICABLE GOVERNING CODES AND BE CONSTRUCTED TO SAME.
- SEE SHEET C-2.0 FOR SURVEY BENCHMARK.
- STRIPPED MATERIALS CONSISTING OF VEGETATION AND ORGANIC MATERIALS SHOULD BE WASTED FROM THE SITE OR CHIPPED AND USED TO MULCH SEEDDED AREAS AFTER COMPLETION OF GRADING OPERATIONS.

GENERAL NOTES:

- ALL WRITTEN DIMENSIONS SHALL PREVAIL.
- BASKETBALL COURT TO BE POST-TENSIONED CONCRETE SLAB.
- ALL COURT STRIPING TO BE 2" WIDTH PAINTED WHITE.
- CONTRACTOR SHALL PROTECT ALL EXISTING STRUCTURES AND IMPROVEMENTS TO REMAIN.
- CONTRACTOR SHALL FIELD VERIFY ALL SITE CONDITIONS IN THE FIELD AND DIMENSIONS SHOWN ON THE DRAWINGS AND REPORT ANY DISCREPANCIES TO THE CITY OF ALAMOGORDO PRIOR TO THE START OF CONSTRUCTION.
- CONTRACTOR SHALL REFER ANY QUESTIONS ON SITE MATERIALS, FINISHES AND/OR PRODUCTS NOT SPECIFIED HEREIN TO THE CITY OF ALAMOGORDO PRIOR TO ORDERING MATERIALS OR STARTING WORK.
- DIMENSIONS FOR BASKETBALL COURT LAYOUT ARE FROM THE OUTSIDE TO OUTSIDE OF THE LINES. FULL COURT LAYOUT LINES SHALL BE 2" WIDE (TWO COATS) OF NON-REFLECTIVE PAINT CONFORMING TO STANDARD SPECIFICATIONS.

POST TENSION NOTES:

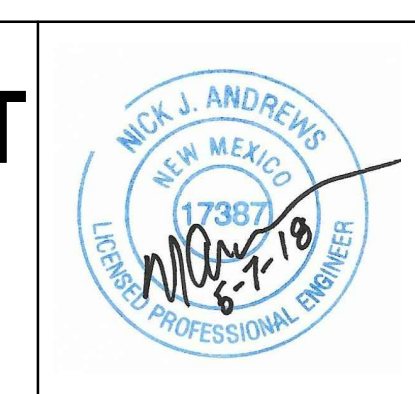
- POST-TENSIONING SHALL MEET ALL CURRENT STANDARDS OF THE POST-TENSIONING INSTITUTE(PTI).
- INSTALLATION PROCEDURES, TO BE REVIEWED PRIOR TO BEGINNING INSTALLATION OF BASKETBALL COURT.
- ALL TENDONS SHALL BE 0.5" DIA. - 270 KSI SINGLE STRAND,(UNBONDED)
- ALL CONCRETE SHALL BE 3000 P.S.I MIN.
- PARTIAL STRESSING (25%) SHALL BE REQUIRED @ 24 HOURS/ 100% STRESSING SHALL BE COMPLETED WITHIN 7 DAYS.
- SUBMIT CONCRETE MIX DESIGN FOR REVIEW BY OWNER.
- SPACE THE TENDONS EVENLY AROUND THE PIERS FOR THE GOAL POSTS (CENTER THE POSTS BETWEEN TENDONS).
- SAW-CUT EXISTING ASPHALT AS REQUIRED TO ACCOMMODATE TURN DOWN ON PROPOSED FOOTING.
- STEEL TENDONS SHALL CONFORM TO REQUIREMENTS OF ASTM A-416 AND THE FINAL TENDON ASSEMBLY SHALL CONFORM TO THE POST-TENSIONING, INSTITUTE (PTI) "SPECIFICATION FOR UNBONDED SINGLE STRANDED TENDONS".
- DESIGN AND INSTALLATION OF POST-TENSIONED CONCRETE SHALL BE PER PTI "DESIGN AND CONSTRUCTION OF POST-TENSIONED SPORT COURTS" (PTI DC10.3-06).
- IF PLACED IN HOT WEATHER, SPECIAL ATTENTION TO MOIST CURING OF THE CONCRETE SHALL BE CONSIDERED TO PREVENT UNEVEN CURING AND CURLING OF THE CONCRETE.
- MAXIMUM CROSS SLOPE SHALL BE 1%, 1" IN 10' PREFERRED.
- CONCRETE TO BE PLACED IN A SINGLE CONTINUOUS PLACEMENT.



REV. NO.	DATE	DESCRIPTION	APPROVED
1	3-12-18	60 PERCENT SUBMITTAL	
2	4-17-18	90 PERCENT SUBMITTAL	
3	5-07-18	100 PERCENT SUBMITTAL	

New Mexico One Call, Inc. Call 2 days before you dig!
NMOC Dial 811 or 1-800-321-2537
 Professional Resources for Damage Prevention

WASHINGTON PARK BASKETBALL COURT
EAST SITE LAYOUT
 CITY OF ALAMOGORDO, NEW MEXICO, DEPARTMENT OF PUBLIC WORKS

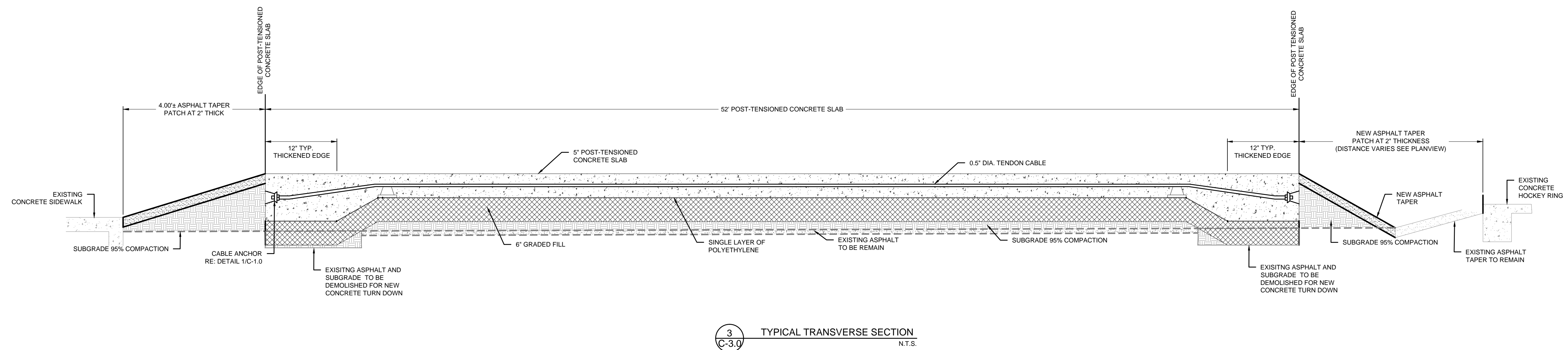
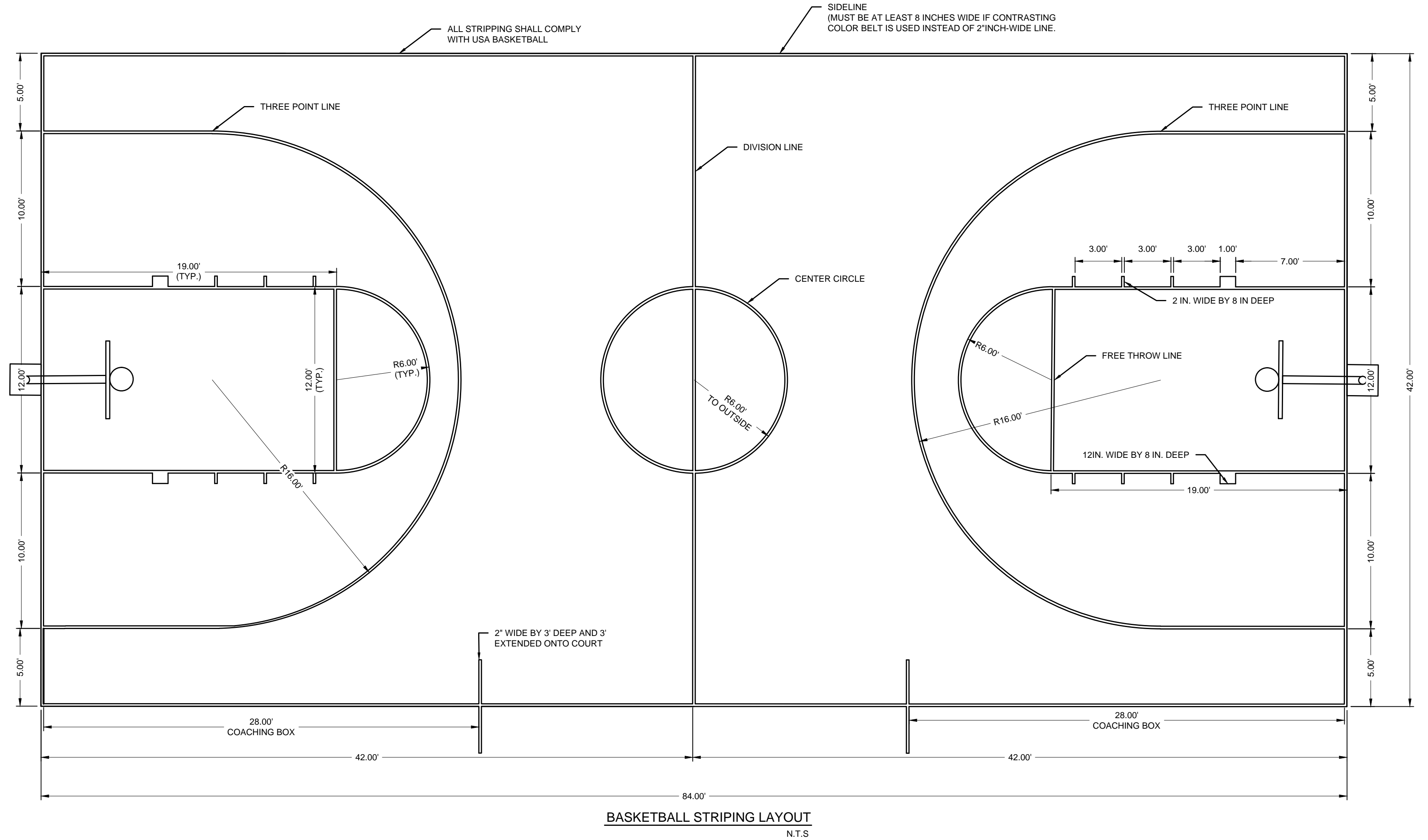


zia engineering & environmental consultants, llc
 SDB/GSA Environmental Services
 201 N. Church St. Ste #300
 Las Cruces, New Mexico 88001
 Phone: (575) 532-1526
 Fax: (575) 532-1587
 www.ziaeec.com

Public Works Bid No.: 2018-005
 Drawn By: J.S. Designed By: J.S.
 Checked By: W.H. Approved By: N.A.
 Scale: SCALE: 1" = 5'

GENERAL NOTES

1. THE CONTRACTOR SHALL BE RESPONSIBLE FOR THE INSTALLATION AND MAINTENANCE OF EROSION CONTROL MEASURES UNTIL ACCEPTANCE AND CLOSURE OF CONCRETE ESTABLISHMENT.
2. ALL DEBRIS SPILLED ON THE PUBLIC RIGHT-OF-WAY OR ADJOINING PROPERTY SHALL BE REMOVED BY CONTRACTOR IN A TIMELY FASHION. NO STORAGE OF MATERIALS SHALL BE ALLOWED IN PUBLIC RIGHT-OF-WAY.
3. CONTRACTOR SHALL PROVIDE ACCESS AND PARKING ON-SITE FOR ALL CONSTRUCTION EQUIPMENT AND VEHICLES.
4. ALL WORK SHALL BE DONE IN COMPLIANCE WITH CURRENT OSHA CODES AND STANDARDS. NOTHING INDICATED ON THESE PLANS SHALL RELIEVE THE CONTRACTOR FROM COMPLYING WITH ALL NECESSARY SAFETY REGULATIONS.
5. NO WORK SHALL BE PERFORMED BEYOND THE PROJECT LIMITS WITHOUT PRIOR AUTHORIZATION FROM CITY OF ALAMOGORDO.
6. MAINTAIN POSITIVE DRAINAGE ON THE SITE THROUGHOUT THE PROJECT DURATION.
7. REMOVE SURFACING AS REQUIRED FOR CONSTRUCTION AND REPLACE TO ORIGINAL CONDITION. ALL GRASSED AREAS SHALL BE RE-SEEDED. ALL PAVEMENT SURFACES DISTURBED SHALL BE RE-PAVED.
8. ALL STRUCTURES AND APPURTENANCES SHALL BE ADJUSTED TO GRADE AS NECESSARY. SITE SHALL BE GRADED TO AVOID SITUATION OF THESE APPURTENANCES WITHIN DRAINAGE COURSES OR LOW SPOT.
9. SITE CLEAN UP SHALL BE PERFORMED ON A DAILY BASIS, SIDEWALKS, PARKING LOTS ROADWAYS, ETC. SHALL BE KEPT CLEAN AT ALL TIMES.
10. ALL OPEN EXCAVATIONS SHALL BE PROTECTED AT ALL TIMES.
11. ANY WORK REQUIRED TO COMPLETE THE SCOPE OF THE THIS PROJECT BUT NOT SPECIFICALLY CALLED OUT, SHALL BE CONSIDERED INCIDENTAL TO THE PROJECT. NO ADDITIONAL COMPENSATION SHALL BE ALLOWED FOR THE COMPLETION OF THIS WORK.
12. ALL GENERAL NOTES APPLY TO ALL SHEETS.
13. THE CONTRACTOR SHALL BE REQUIRED TO CONFINE HIS WORK WITHIN THE CONSTRUCTION LIMITS OR RIGHT-OF-WAY. PARKING OF EMPLOYEE'S PRIVATE VEHICLES SHALL NOT BE ALLOWED ALONG CONSTRUCTION AREAS THROUGHOUT CONSTRUCTION LIMITS. IT SHALL BE THE CONTRACTORS RESPONSIBILITY TO PROHIBIT ASPHALT VEHICLES AND EQUIPMENT, ROLLERS, CRANES, ETC., FROM DRIVING UPON ACCESS OR TURNING ON PRIVATE PROPERTY ADJACENT TO PROJECT AREAS.



REV. No.	DATE	DESCRIPTION	APPROVED
1	3-12-18	60 PERCENT SUBMITTAL	
2	4-17-18	90 PERCENT SUBMITTAL	
3	5-07-18	100 PERCENT SUBMITTAL	

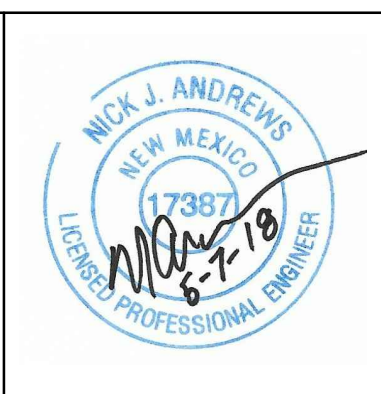
New Mexico One Call, Inc. Call 2 days before you dig!
NMOC
 Professional Resources for Damage Prevention
 Dial 811 or 1-800-321-2537



WASHINGTON PARK BASKETBALL COURT

DETAIL SHEET

CITY OF ALAMOGORDO, NEW MEXICO, DEPARTMENT OF PUBLIC WORKS



zia engineering & environmental consultants, llc
 SDB/GSA Environmental Services
 201 N. Church St. Ste #300
 Las Cruces, New Mexico 88001
 Phone: (575) 532-1526
 Fax: (575) 532-1587
 www.ziaeec.com

Public Works Bid No.: 2018-005
 Drawn By: J.S. Designed By: J.S.
 Checked By: W.H. Approved By: N.A.
 Scale: SCALE: N.T.S.

Sheet No.: **C-3.0**
 Sheet 4 of 4
 NB1804