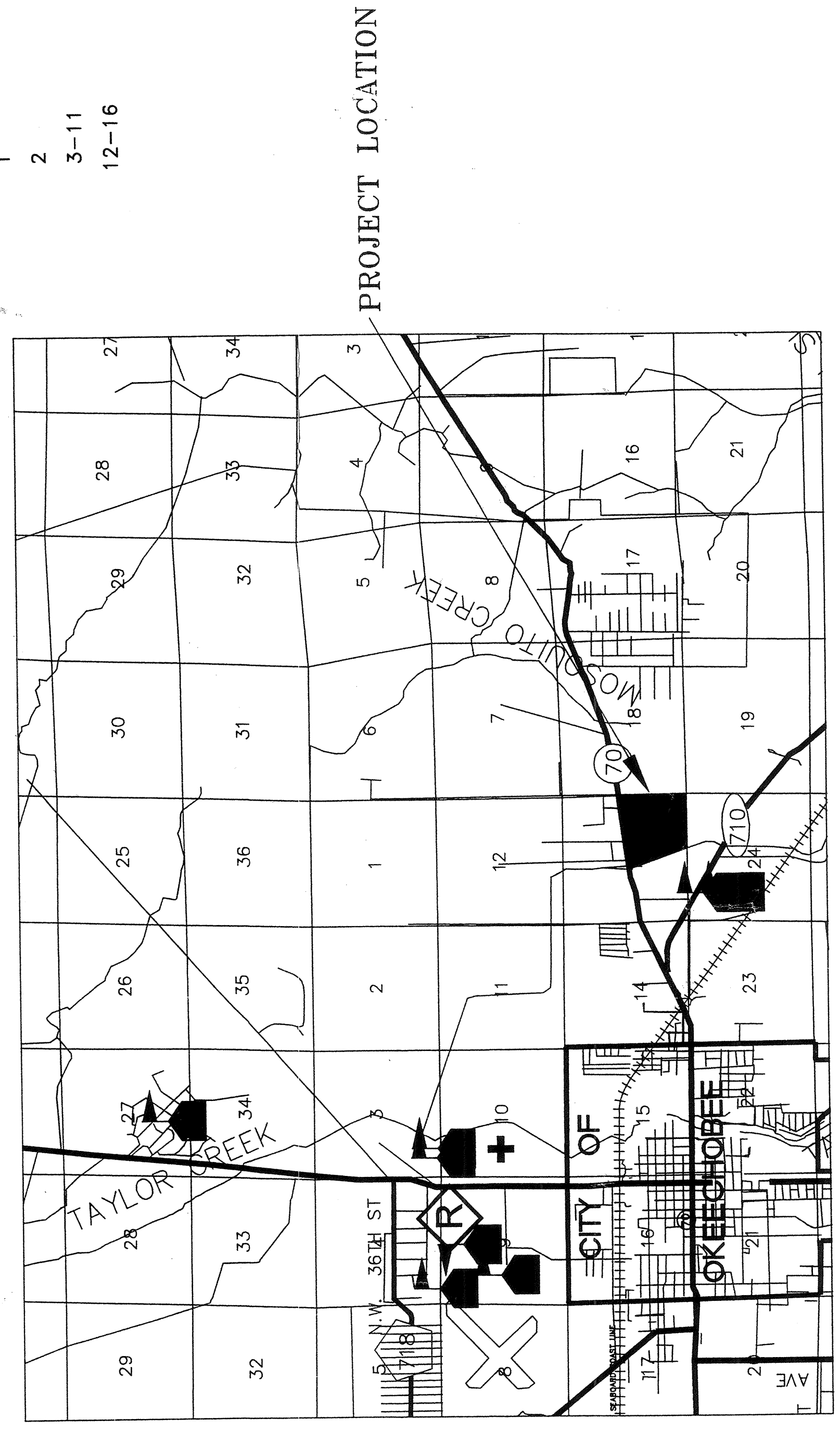
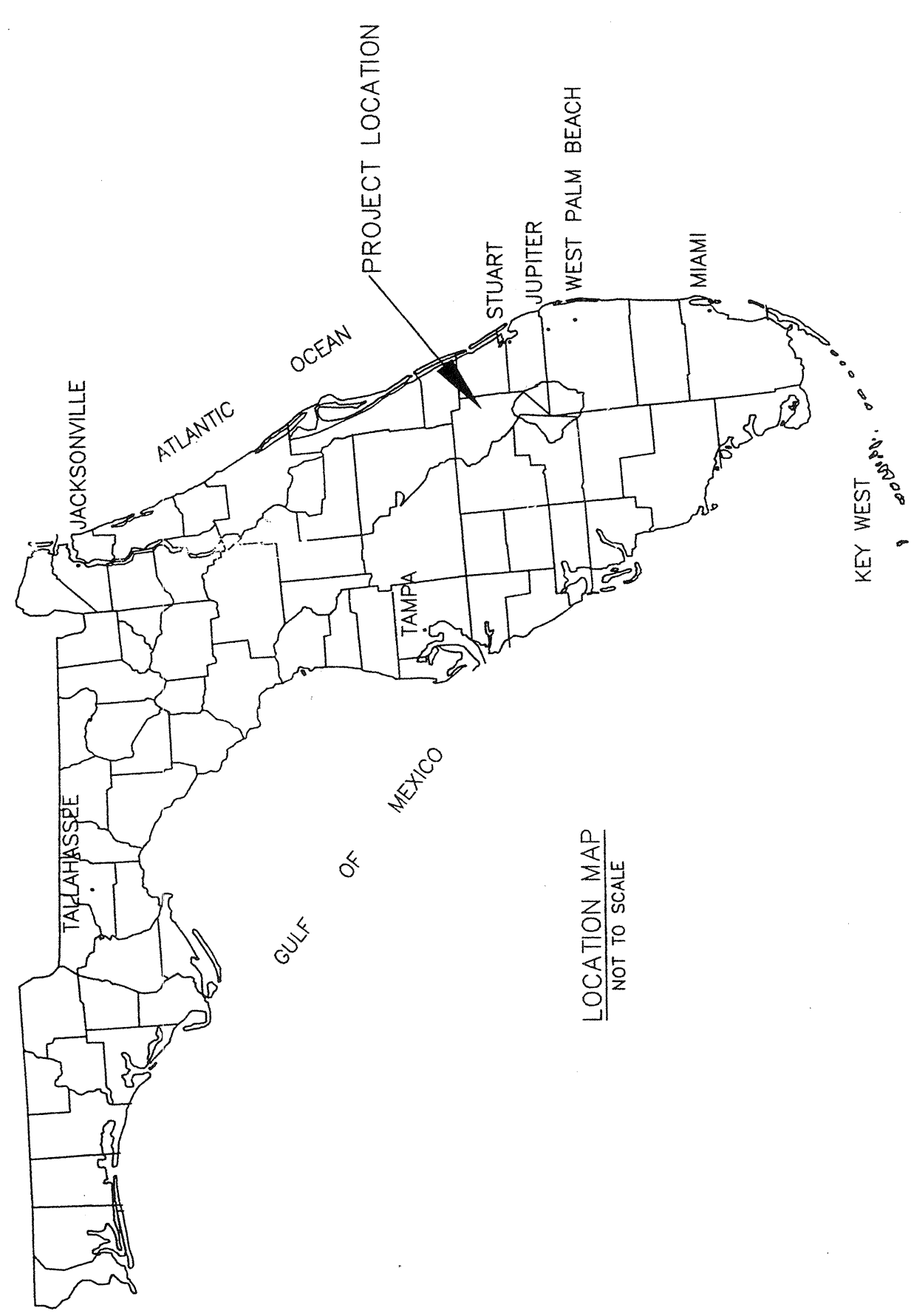


2. V
5. 185

CONSTRUCTION DEVELOPMENT DRAWINGS FOR OKEECHOBEE COUNTY AGRI-CIVIC CENTER SECTION 13, TOWNSHIP 37S., RANGE 35E. OKEECHOBEE COUNTY, FLORIDA

SHEET INDEX

SHEET NUMBER	SHEET TITLE/DESCRIPTION
1	COVER SHEET
2	MASTER PLAN KEY SHEET
3-11	MASTER GRADING, DRAINAGE AND UTILITY PLANS
12-16	PAVING, GRADING, DRAINAGE AND UTILITY DETAILS



OKEECHOBEE COUNTY - AGRI-CIVIC CENTER FACILITY
PROJECT NO.: 01-0336

LBPH INC.
CONSULTING CIVIL ENGINEERS,
SURVEYORS & MAPPERS
"Partners For Results,
Value By Design."

421 N.W. 3rd Street, Okeechobee, FL 34972
(863) 763-8999 Fax: (863) 763-6692
BPR & FBPE License No: 959 www.lbph.com

RECORD AS-BUILT DRAWING
FORD, ARMENTEROS & MANUCCI, INC.
1000 W. UNIVERSITY BLVD., SUITE 14
BOCA RATON, FLORIDA 33433
PHONE: 561-437-2110
BY: JOHN H. MANUCCI, P.E. (Professional Engineer)
STATE OF FLORIDA

As Built - Plans not included, no change.

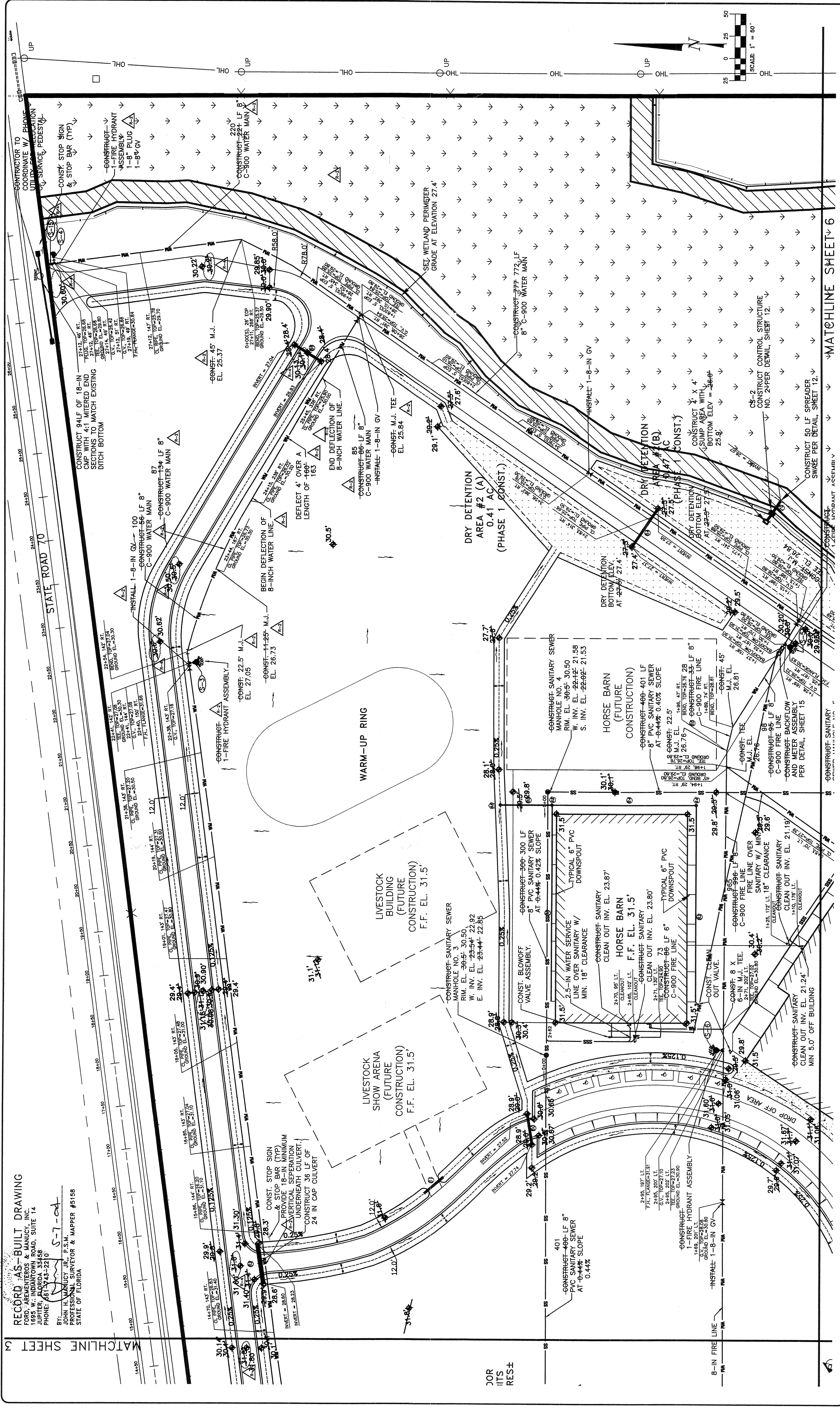
SUBMITTAL DATE: NOVEMBER 25, 2002

DATE	BY	REVISIONS

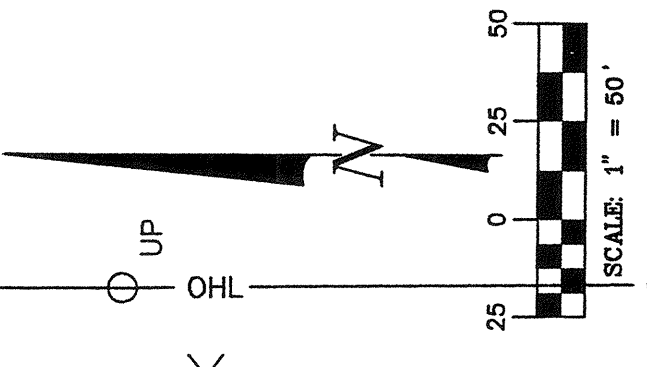
© 2000 LBPH, Inc.
COVER001.DWG

RECORD AS-BUILT DRAWING
 FORD, ARMENTROS & MANUCCI, INC.
 1685 W. INDIANTOWN ROAD, SUITE 14
 INDIANTOWN, FLORIDA 34957
 PHONE: (888) 213-2210
 FAX: (888) 213-2211
 BY: JOHN H. MANUCCI, JR., P.E., P.S.M.
 PROFESSIONAL SURVEYOR & MAPPER #5158
 STATE OF FLORIDA

MATCHLINE SHEET 2



DOR
 ITS
 RES ±



MATCHLINE SHEET 6

© 2000 LBFP, INC.

LBFP PROJECT NO:
 01-0336
 SHEET
 4 OF 16
 CONPLAN02.DWG

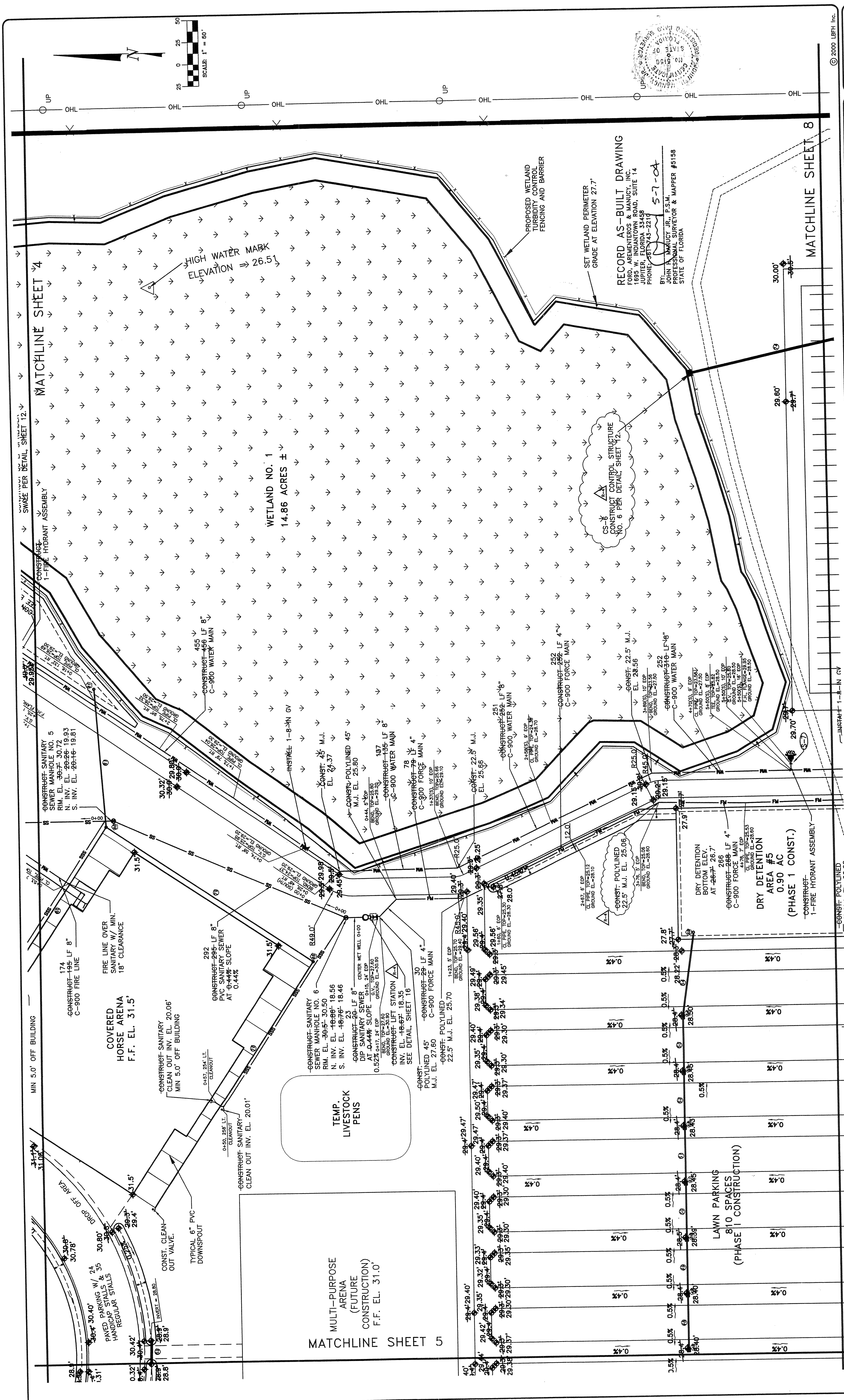
AGRI-CIVIC CENTER
 OKECHOBEE COUNTY, FLORIDA
PAVING, GRADING, AND DRAINAGE
 CONSTRUCTION SHEET

LBFP
 CONSULTING CIVIL ENGINEERS,
 SURVEYORS & MAPPERS
 "Integrity • Accuracy • Professionalism"
 Yalaha, FL
 421 N.W. 3rd Street, Okeechobee, FL 34972
 (863) 763-8999 Fax: (863) 763-6692
 BPR & FBPE License No: 859 www.lbfp.com

VERIFY SCALE
 BAR IS EQUAL TO ONE
 INCH ON ORIGINAL DRAWING
 0
 1
 DIMENSIONS ACCORDINGLY

DATE	BY	REVISIONS

5-22-03 C.O.R. 1 - ADD 8" PVC SANITARY SEWER AND 8" FIRE WATER MAIN
 5-22-03 C.O.R. 2 - RELOCATE WATER MAIN FROM 8770 TO SOUTH SIDE OF ACCESS ROAD, REVERSE ENTRANCE
 5-19-03 C.O.R. 3 - REVISION #4 - ADD SAMPLE POINT #15 TO BLOWOFF, ADD ROAD GRADES



LBPH PROJECT NO. 01-0336
 SHEET 6 OF 16
 CONPLAN-04-010

AGRI-CIVIC CENTER
 OKEECHOBEE COUNTY, FLORIDA
PAVING, GRADING, AND DRAINAGE
CONSTRUCTION SHEETS

LBPH
 CONSULTING CIVIL ENGINEERS,
 SURVEYORS & DESIGNERS
 401 N.W. 1st Street, Okeechobee, FL 34972
 (863) 763-8899 Fax: (863) 763-6992
 BPR & FEPE License No. 959 www.lbph.com

VERIFY SCALE
 THIS IS EQUAL TO ONE
 INCH ON ORIGINAL DRAWING
 ALL DIMENSIONS ARE TO CENTER
 UNLESS OTHERWISE NOTED
 DIMENSIONS ACCORDINGLY

NO.	DATE	BY	REVISIONS

RECORD AS-BUILT DRAWING
 PLOD ARMASTRONG & MANUCK, INC.
 1895 W. INDIANTOWN ROAD, SUITE 14
 INDIANTOWN, FLORIDA 34957
 PH: (888) 424-2211
 BOB MANUCK JR., P.E., P.S.M.
 PROFESSIONAL SURVEYOR & MAPPER #5189
 STATE OF FLORIDA

MATCHLINE SHEET 7
 MATCHLINE SHEET 8