



## Product Specifications

---

### K-Rain ProSport Gear Drive Rotor

Model # 14053, 14053-SS, 14003, 14003-SS

### Professional Series Sprinkler

The sprinkler shall be of the gear-driven, rotary type, capable of covering a 43-75 foot (13.1-22.9 m) radius at 40 – 90 PSI (2.8 bar/280 kPa-6.2 bar/620 kPa) with a precipitation rate of 0.3–0.78 inches (0.7-2.0 cm) per hour. The sprinkler shall be available with six (6) color coded nozzles with a trajectory of 26° discharging from 5.1– 2.5 GPM (19.3-123.1 l/m) which incorporates three (3) discharge ports. The sprinkler shall have a stainless steel radius adjustment screw.

The sprinkler shall be adjustable in both part circle and a true full continuous 360° circle configuration. The adjustable part circle unit shall be minutely adjustable from 40° to 360°. The sprinkler shall have a top arc adjustment carried out by rotation of a flat blade screwdriver within the top cover. The sprinkler shall have an arc indication arrow on the top of sprinkler displaying the coverage pattern set. The sprinkler shall also have a friction-clutch mechanism to allow for 360°+ forward or reverse movement of nozzle turret without damage to the internal gear components. Sprinkler shall have a memory arc clutch feature to allow original arc pattern to be automatically resumed following disturbance to nozzle turret. The adjustable unit shall be adjustable in all phases of installation (i.e., before installation, after installation while static, and after installation while in operation).

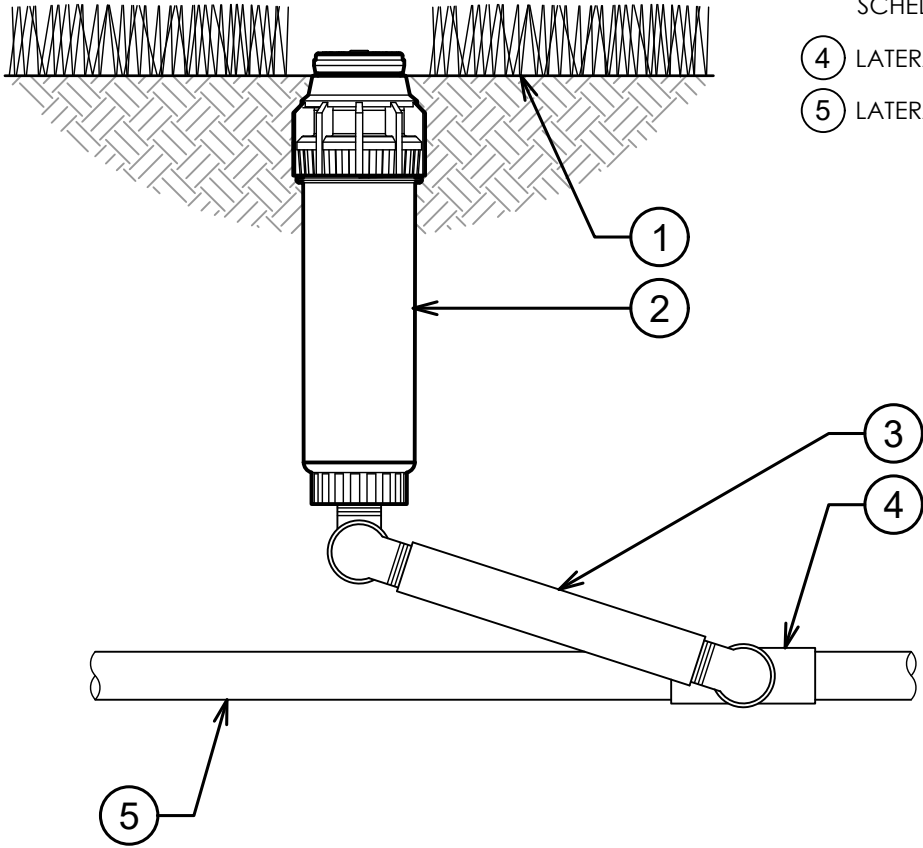
The sprinkler shall have a minimum of 4-inch (10.2 cm) pop-up stroke to bring the rotating nozzle turret into a clean environment. The sprinkler shall be available in a high speed (14053) or low speed (14003) rotation. The sprinkler shall be available with a plastic riser (14053, 14003) and a stainless steel riser (14053-SS, 14003-SS). The sprinkler may be equipped with a drain check valve to prevent low head drainage, and be capable of checking up to 10 feet (3 m) in elevation change. The sprinkler shall have a rubber cover firmly attached to the top of the turret. When specified, the sprinkler shall have a molded purple rubber cover to indicate the use of reclaimed water. The sprinkler shall have an exposed surface diameter after installation of 1-3/4 inches (4.4 cm) and have an overall height of 9-1/2 inches (24.1 cm). The unit shall have a 1-inch Female National Pipe Thread (FNPT) inlet. The sprinkler shall be serviceable after installation by unscrewing the body cap, removing the riser assembly, and extracting the inlet filter screen.

The body and riser of the sprinkler shall be constructed of corrosion resistant, impact resistant, heavy duty ABS. It shall have a stainless steel spring for positive retraction of the riser when irrigation is complete. The sprinkler shall carry a five-year trade, exchange warranty.

The sprinkler shall be manufactured by K-Rain Manufacturing Corporation of Riviera Beach, Florida an ISO 9001:2000 Certified Company.



- ① FINISH GRADE
- ② K-RAIN PRO SPORT GEAR DRIVE ROTOR MODEL 14003: 4" POP-UP ROTOR WITH CHECK VALVE
- ③ 1" RIGID SWING JOINT: SCHEDULE 80 NIPPLE, SCHEDULE 40 STREET ELLS
- ④ LATERAL TEE OR ELL
- ⑤ LATERAL PIPE



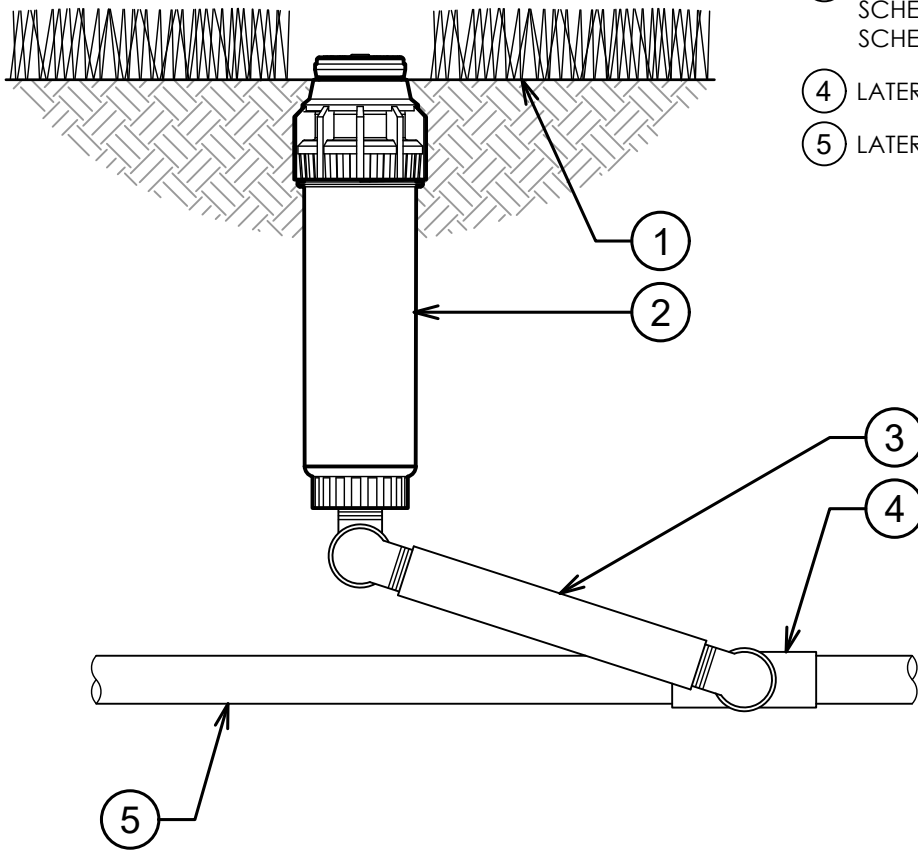
**K-RAIN PRO SPORT ROTOR WITH 4" POP-UP**

3" = 1'-0"

[www.krain.com](http://www.krain.com)



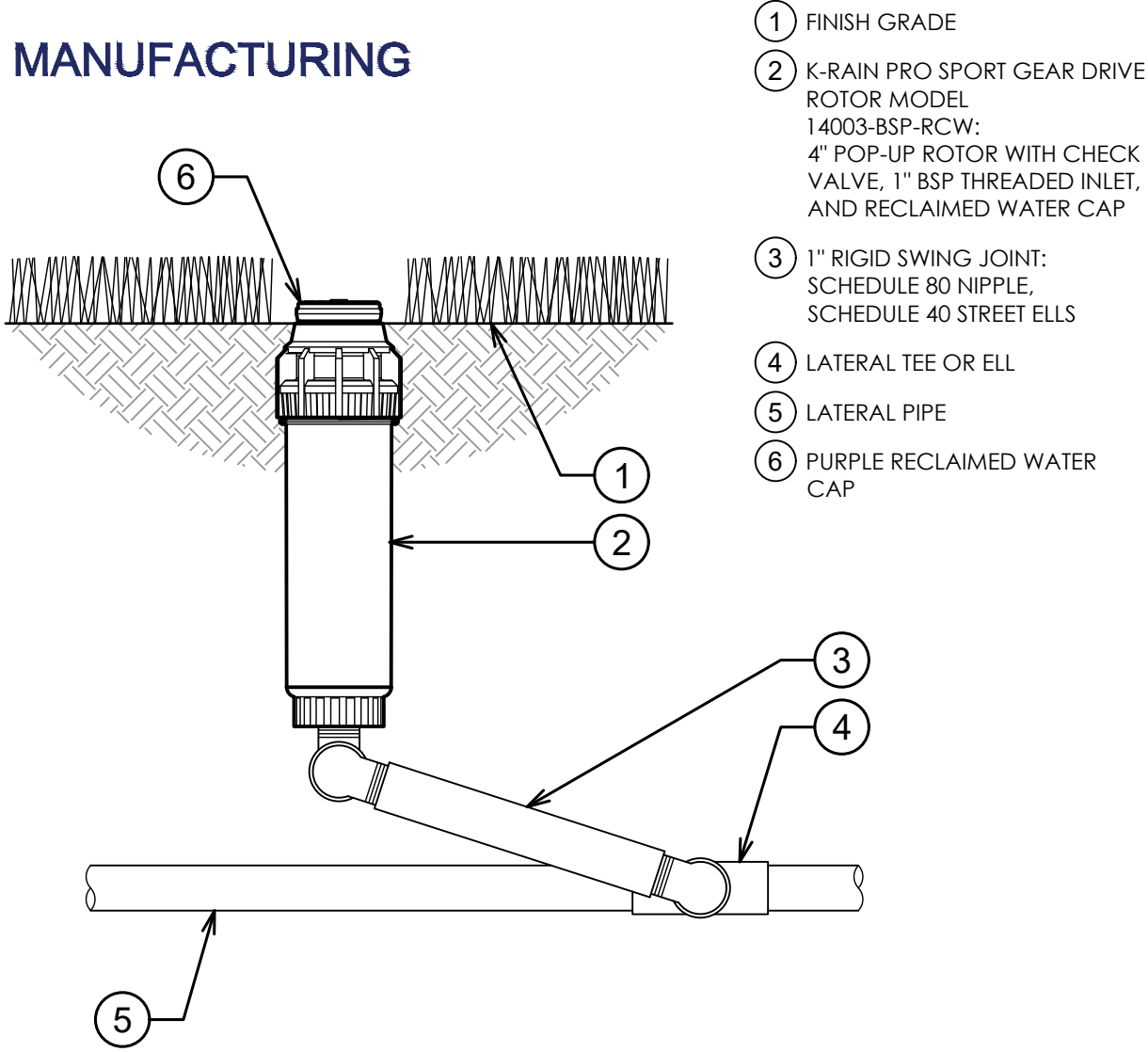
- ① FINISH GRADE
- ② K-RAIN PRO SPORT GEAR DRIVE ROTOR MODEL 14003-BSP: 4" POP-UP ROTOR WITH CHECK VALVE AND 1" BSP THREADED INLET
- ③ 1" RIGID SWING JOINT: SCHEDULE 80 NIPPLE, SCHEDULE 40 STREET ELLS
- ④ LATERAL TEE OR ELL
- ⑤ LATERAL PIPE



## K-RAIN PRO SPORT ROTOR WITH 4" POP-UP

3" = 1'-0"

[www.krain.com](http://www.krain.com)



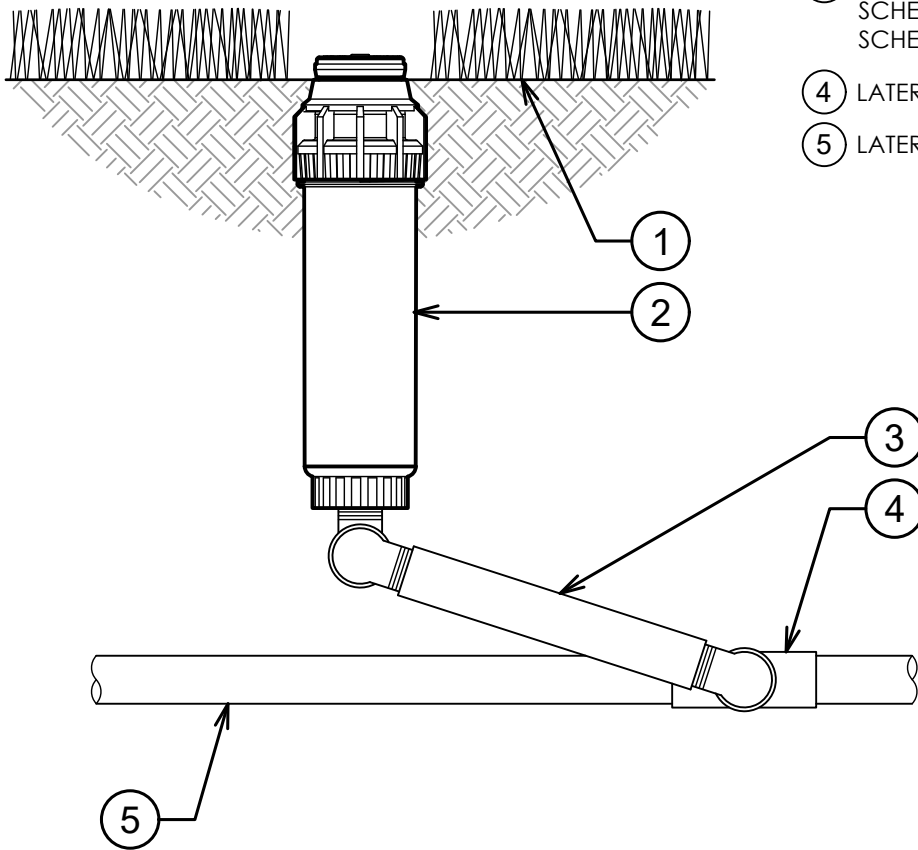
**K-RAIN PRO SPORT ROTOR WITH 4" POP-UP**

3" = 1'-0"

[www.krain.com](http://www.krain.com)



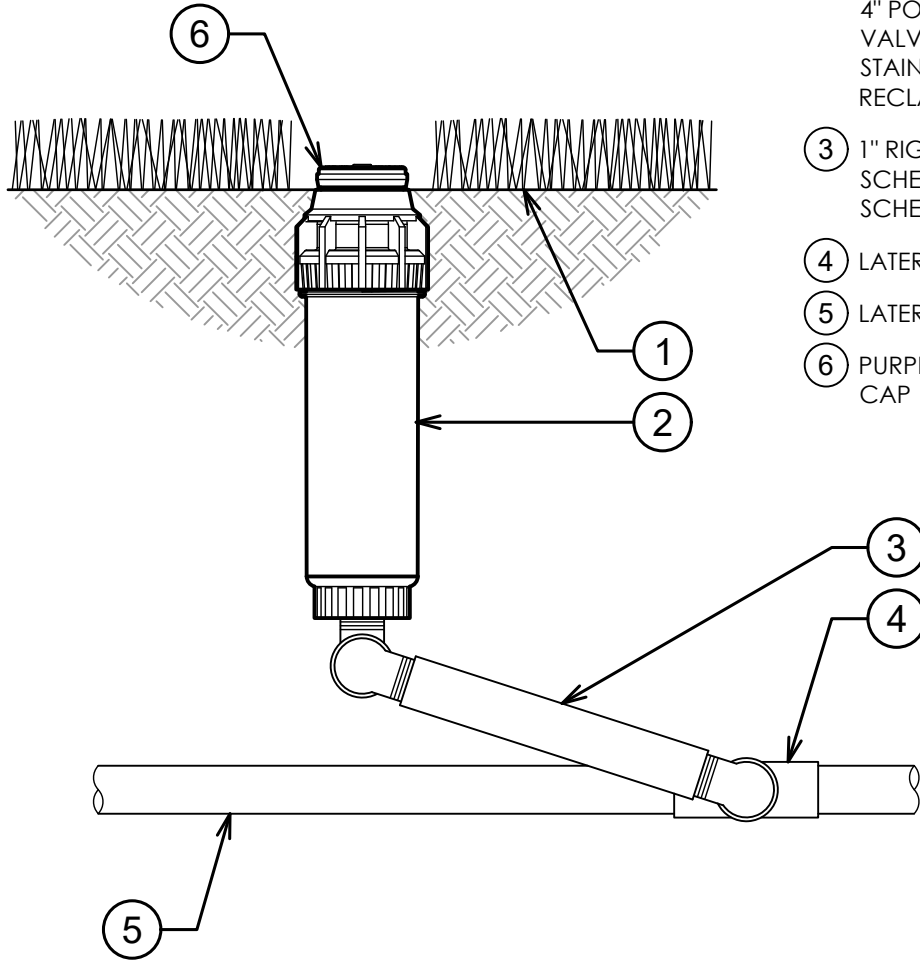
- ① FINISH GRADE
- ② K-RAIN PRO SPORT GEAR DRIVE ROTOR MODEL 14003-BSP-SS: 4" POP-UP ROTOR WITH CHECK VALVE, 1" BSP THREADED INLET, AND STAINLESS STEEL RISER
- ③ 1" RIGID SWING JOINT: SCHEDULE 80 NIPPLE, SCHEDULE 40 STREET ELLS
- ④ LATERAL TEE OR ELL
- ⑤ LATERAL PIPE



## K-RAIN PRO SPORT ROTOR WITH 4" POP-UP

3" = 1'-0"

[www.krain.com](http://www.krain.com)



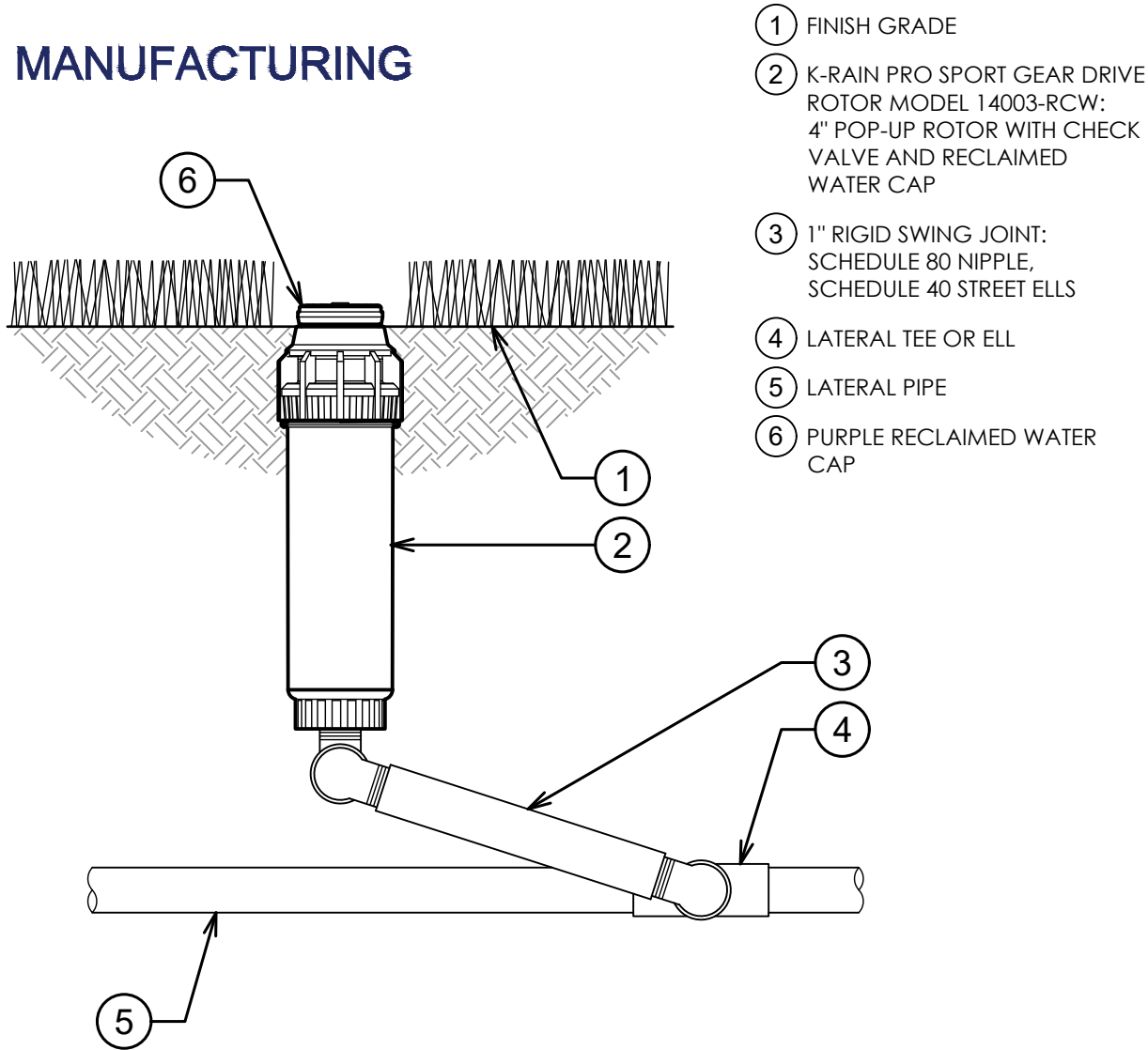
- ① FINISH GRADE
- ② K-RAIN PRO SPORT GEAR DRIVE ROTOR MODEL 14003-BSP-SS-RCW: 4" POP-UP ROTOR WITH CHECK VALVE, 1" BSP THREADED INLET, STAINLESS STEEL RISER, AND RECLAIMED WATER CAP
- ③ 1" RIGID SWING JOINT: SCHEDULE 80 NIPPLE, SCHEDULE 40 STREET ELLS
- ④ LATERAL TEE OR ELL
- ⑤ LATERAL PIPE
- ⑥ PURPLE RECLAIMED WATER CAP



## K-RAIN PRO SPORT ROTOR WITH 4" POP-UP

3" = 1'-0"

[www.krain.com](http://www.krain.com)



- ① FINISH GRADE
- ② K-RAIN PRO SPORT GEAR DRIVE ROTOR MODEL 14003-RCW: 4" POP-UP ROTOR WITH CHECK VALVE AND RECLAIMED WATER CAP
- ③ 1" RIGID SWING JOINT: SCHEDULE 80 NIPPLE, SCHEDULE 40 STREET ELLS
- ④ LATERAL TEE OR ELL
- ⑤ LATERAL PIPE
- ⑥ PURPLE RECLAIMED WATER CAP

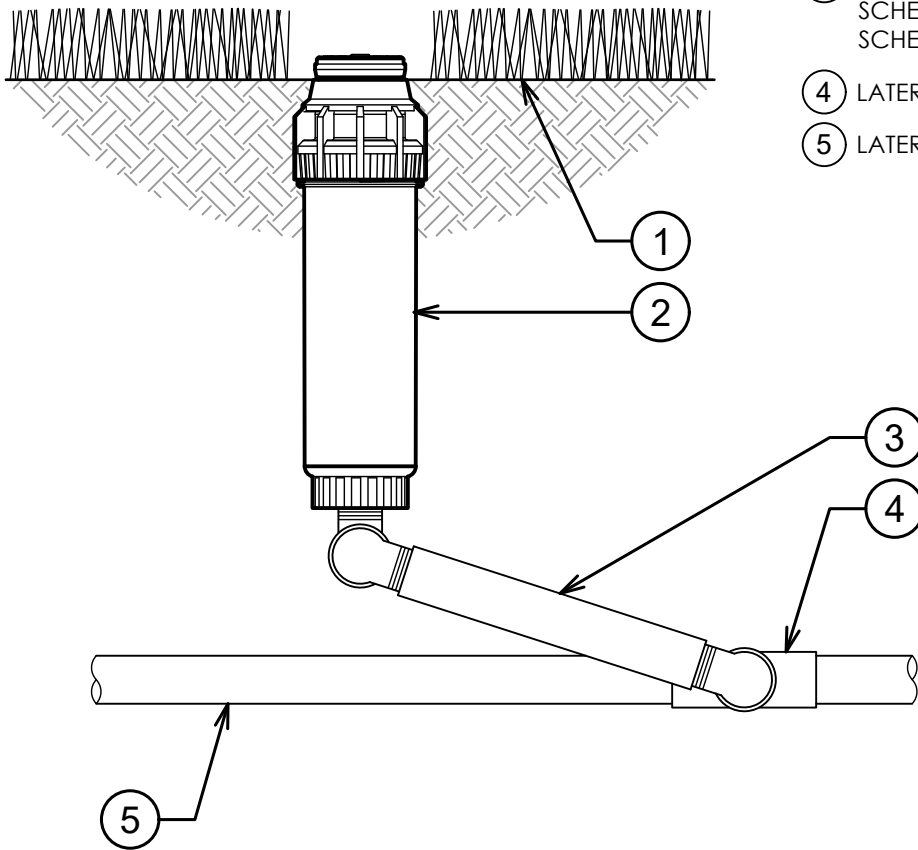


## K-RAIN PRO SPORT ROTOR WITH 4" POP-UP

3" = 1'-0"



- ① FINISH GRADE
- ② K-RAIN PRO SPORT GEAR DRIVE ROTOR MODEL 14003-SS:  
4" POP-UP ROTOR WITH CHECK VALVE AND STAINLESS STEEL RISER
- ③ 1" RIGID SWING JOINT:  
SCHEDULE 80 NIPPLE,  
SCHEDULE 40 STREET ELLS
- ④ LATERAL TEE OR ELL
- ⑤ LATERAL PIPE

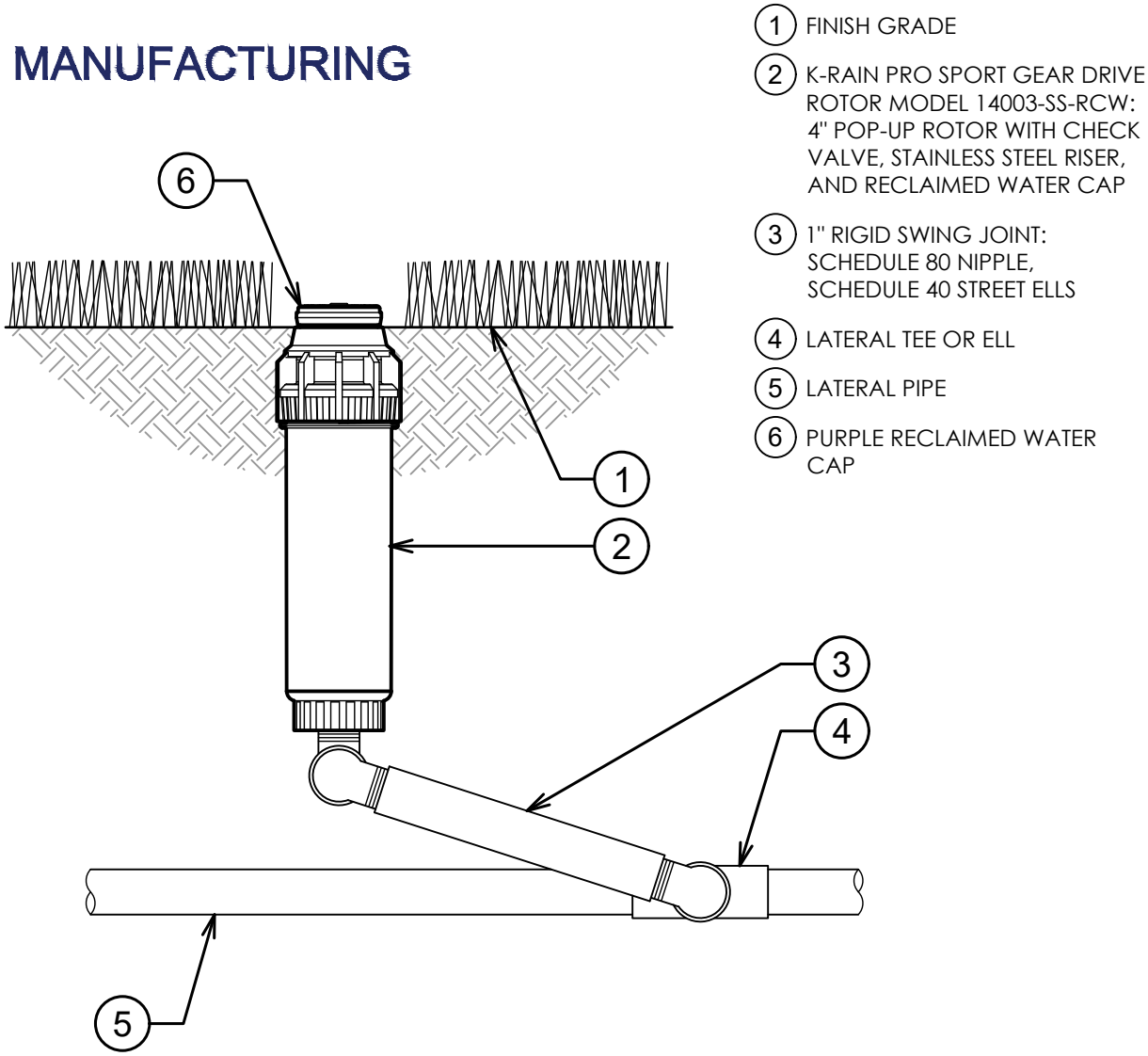


## K-RAIN PRO SPORT ROTOR WITH 4" POP-UP

3" = 1'-0"

[www.krain.com](http://www.krain.com)





- ① FINISH GRADE
- ② K-RAIN PRO SPORT GEAR DRIVE ROTOR MODEL 14003-SS-RCW: 4" POP-UP ROTOR WITH CHECK VALVE, STAINLESS STEEL RISER, AND RECLAIMED WATER CAP
- ③ 1" RIGID SWING JOINT: SCHEDULE 80 NIPPLE, SCHEDULE 40 STREET ELLS
- ④ LATERAL TEE OR ELL
- ⑤ LATERAL PIPE
- ⑥ PURPLE RECLAIMED WATER CAP

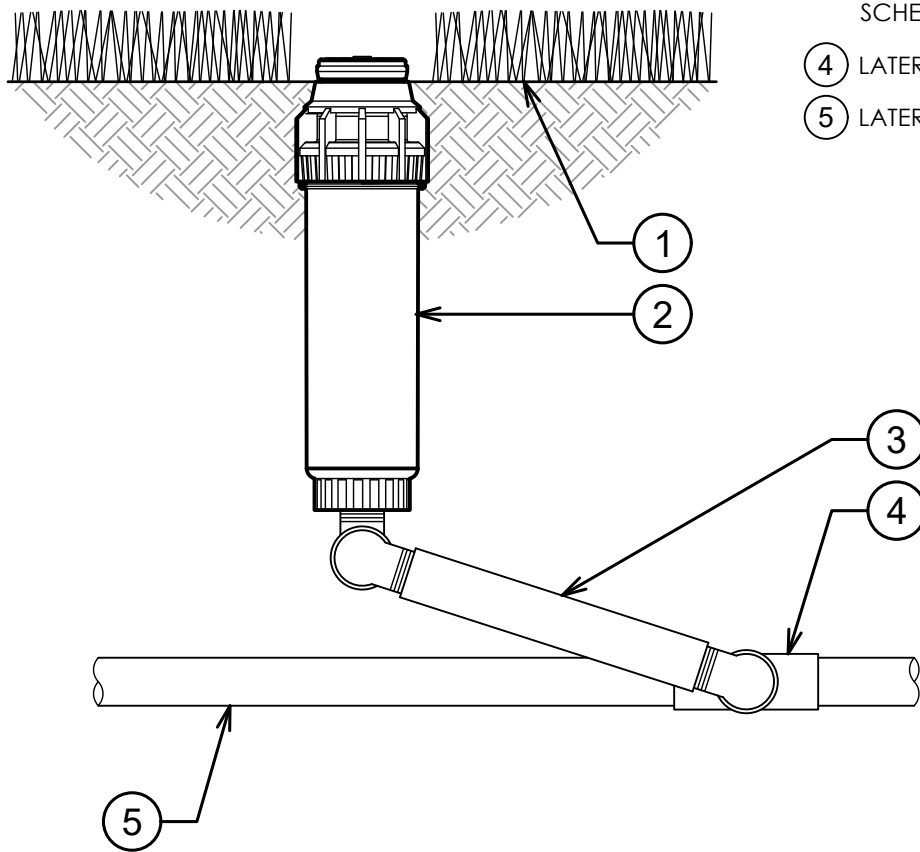


## K-RAIN PRO SPORT ROTOR WITH 4" POP-UP

3" = 1'-0"



- ① FINISH GRADE
- ② K-RAIN PRO SPORT GEAR DRIVE ROTOR MODEL 14053:  
4" POP-UP HIGH SPEED ROTOR WITH CHECK VALVE
- ③ 1" RIGID SWING JOINT:  
SCHEDULE 80 NIPPLE,  
SCHEDULE 40 STREET ELLS
- ④ LATERAL TEE OR ELL
- ⑤ LATERAL PIPE



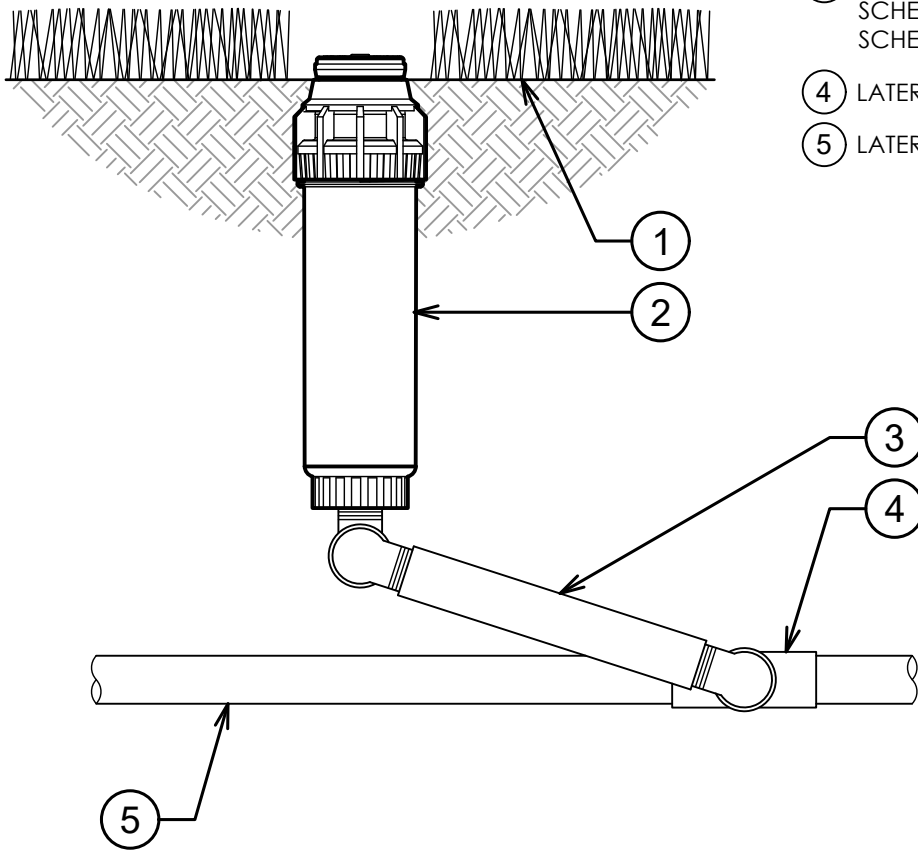
## K-RAIN PRO SPORT ROTOR WITH 4" POP-UP

3" = 1'-0"

[www.krain.com](http://www.krain.com)



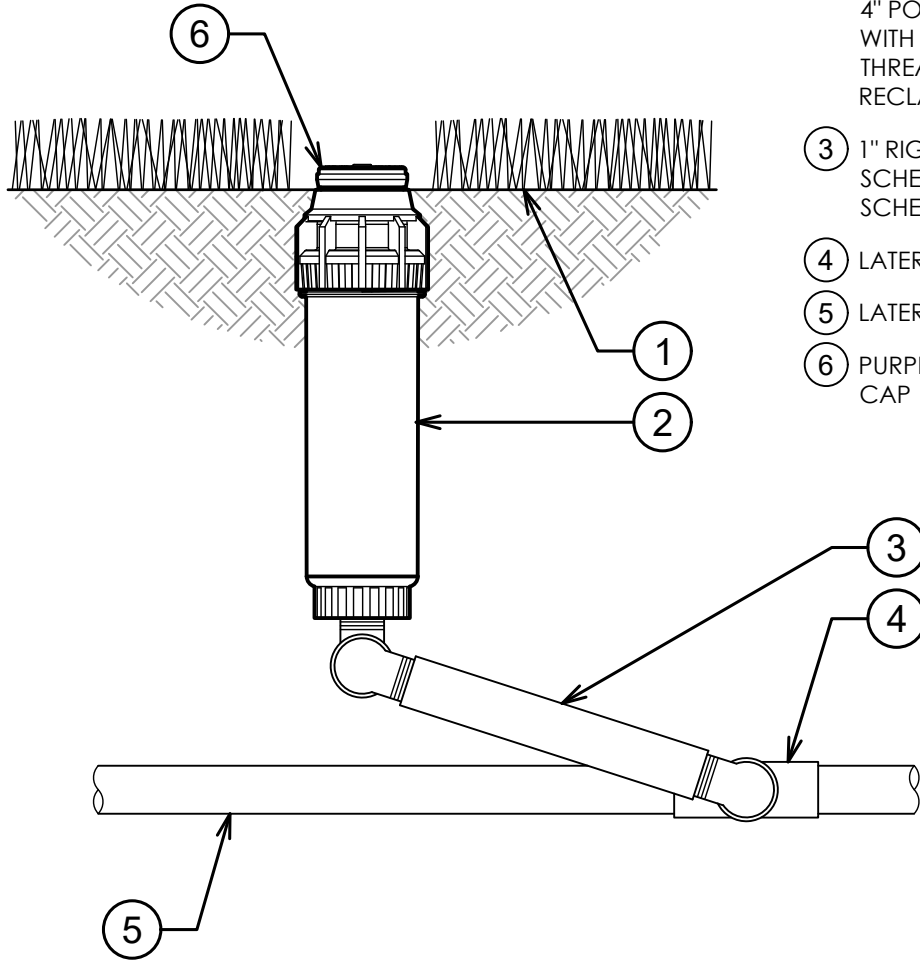
- ① FINISH GRADE
- ② K-RAIN PRO SPORT GEAR DRIVE ROTOR MODEL 14053-BSP: 4" POP-UP HIGH SPEED ROTOR WITH CHECK VALVE AND 1" BSP THREADED INLET
- ③ 1" RIGID SWING JOINT: SCHEDULE 80 NIPPLE, SCHEDULE 40 STREET ELLS
- ④ LATERAL TEE OR ELL
- ⑤ LATERAL PIPE



## K-RAIN PRO SPORT ROTOR WITH 4" POP-UP

3" = 1'-0"

[www.krain.com](http://www.krain.com)



- ① FINISH GRADE
- ② K-RAIN PRO SPORT GEAR DRIVE ROTOR MODEL 14053-BSP-RCW: 4" POP-UP HIGH SPEED ROTOR WITH CHECK VALVE, 1" BSP THREADED INLET, AND RECLAIMED WATER CAP
- ③ 1" RIGID SWING JOINT: SCHEDULE 80 NIPPLE, SCHEDULE 40 STREET ELLS
- ④ LATERAL TEE OR ELL
- ⑤ LATERAL PIPE
- ⑥ PURPLE RECLAIMED WATER CAP



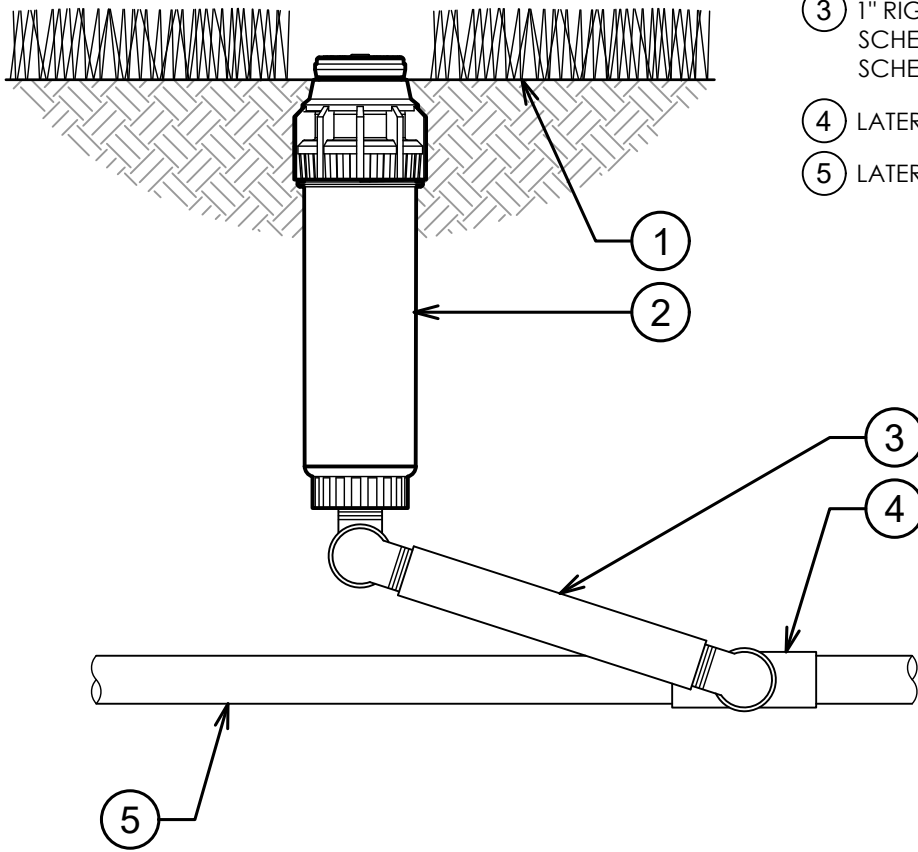
## K-RAIN PRO SPORT ROTOR WITH 4" POP-UP

3" = 1'-0"

[www.krain.com](http://www.krain.com)



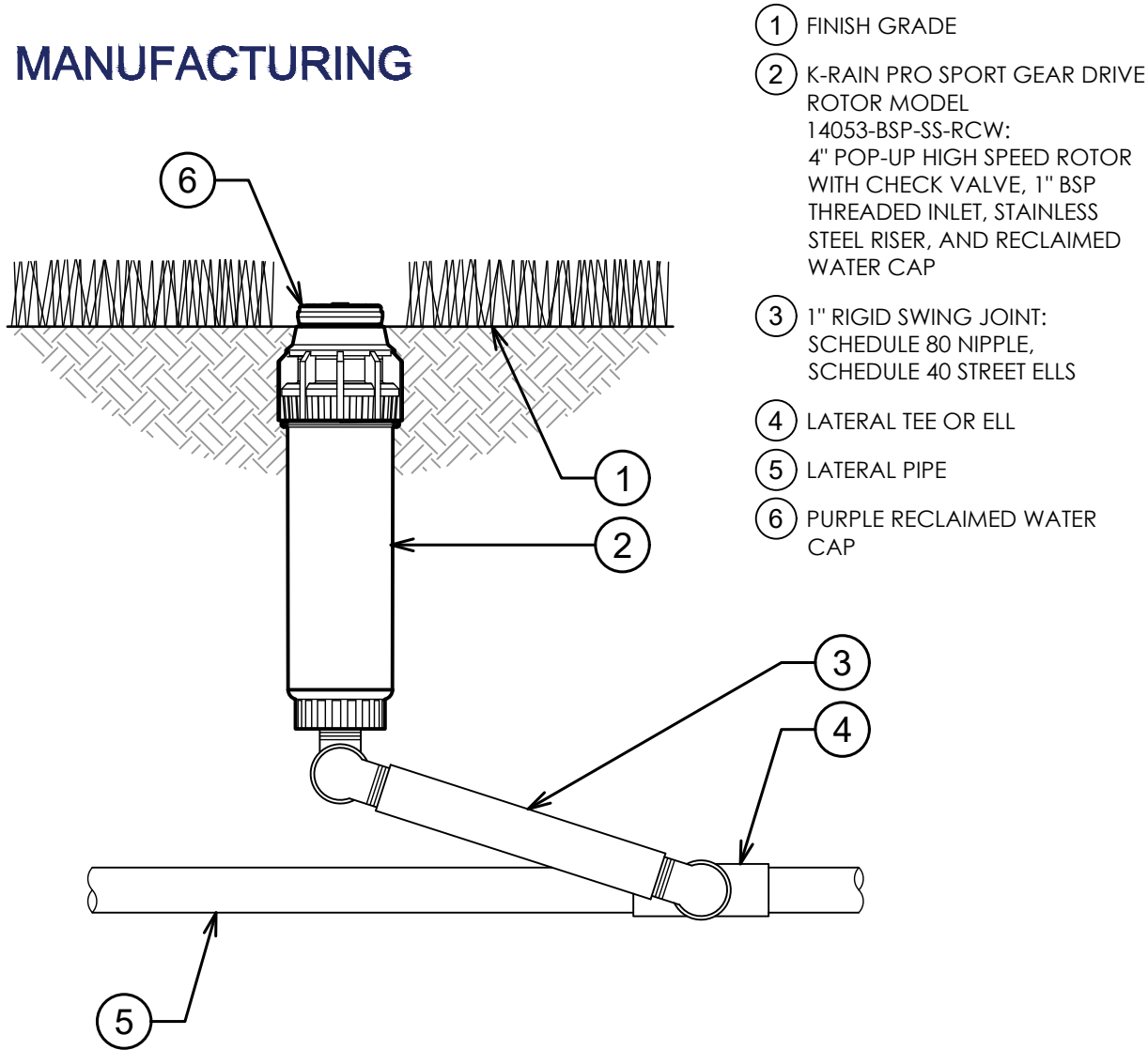
- ① FINISH GRADE
- ② K-RAIN PRO SPORT GEAR DRIVE ROTOR MODEL 14053-BSP-SS: 4" POP-UP HIGH SPEED ROTOR WITH CHECK VALVE, 1" BSP THREADED INLET, AND STAINLESS STEEL RISER
- ③ 1" RIGID SWING JOINT: SCHEDULE 80 NIPPLE, SCHEDULE 40 STREET ELLS
- ④ LATERAL TEE OR ELL
- ⑤ LATERAL PIPE



## K-RAIN PRO SPORT ROTOR WITH 4" POP-UP

3" = 1'-0"

[www.krain.com](http://www.krain.com)

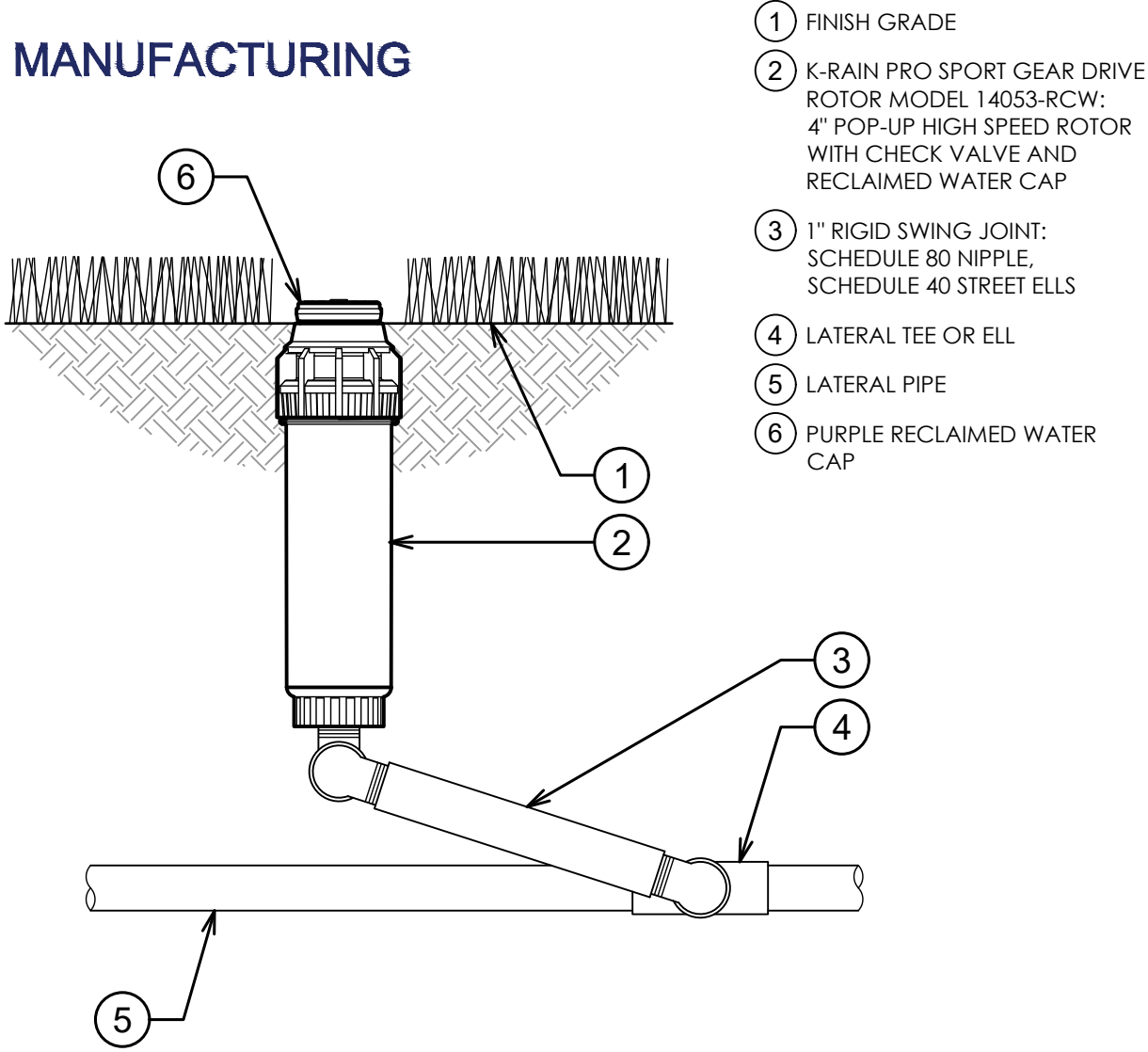


- ① FINISH GRADE
- ② K-RAIN PRO SPORT GEAR DRIVE ROTOR MODEL 14053-BSP-SS-RCW: 4" POP-UP HIGH SPEED ROTOR WITH CHECK VALVE, 1" BSP THREADED INLET, STAINLESS STEEL RISER, AND RECLAIMED WATER CAP
- ③ 1" RIGID SWING JOINT: SCHEDULE 80 NIPPLE, SCHEDULE 40 STREET ELLS
- ④ LATERAL TEE OR ELL
- ⑤ LATERAL PIPE
- ⑥ PURPLE RECLAIMED WATER CAP



## K-RAIN PRO SPORT ROTOR WITH 4" POP-UP

3" = 1'-0"



- ① FINISH GRADE
- ② K-RAIN PRO SPORT GEAR DRIVE ROTOR MODEL 14053-RCW: 4" POP-UP HIGH SPEED ROTOR WITH CHECK VALVE AND RECLAIMED WATER CAP
- ③ 1" RIGID SWING JOINT: SCHEDULE 80 NIPPLE, SCHEDULE 40 STREET ELLS
- ④ LATERAL TEE OR ELL
- ⑤ LATERAL PIPE
- ⑥ PURPLE RECLAIMED WATER CAP



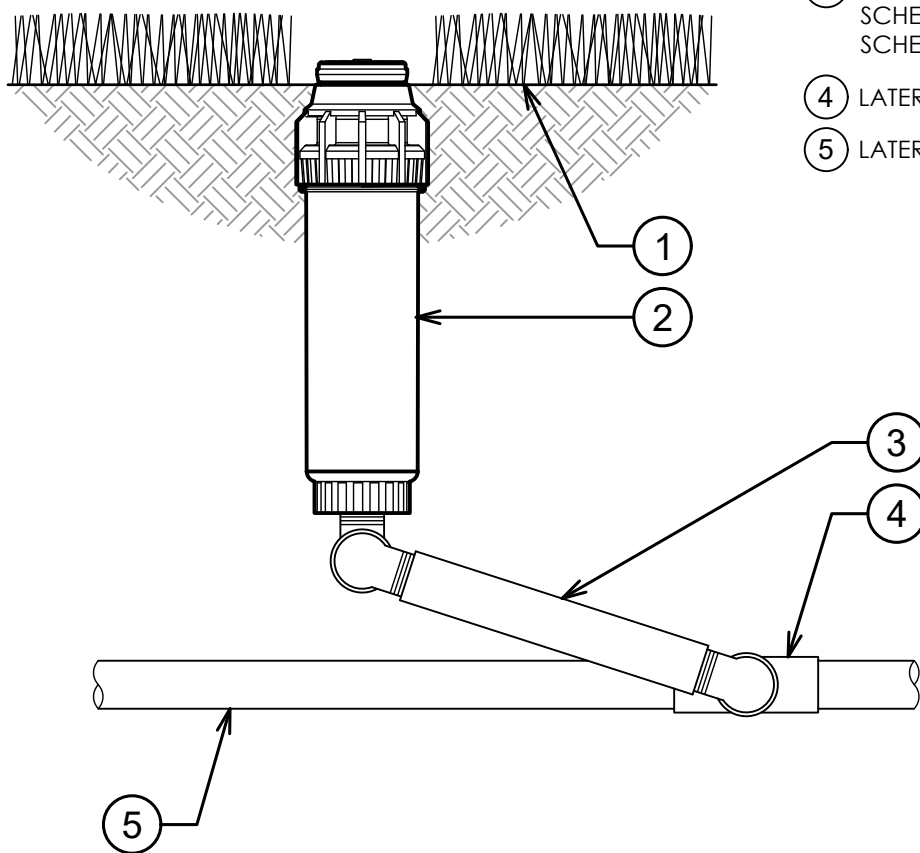
### K-RAIN PRO SPORT ROTOR WITH 4" POP-UP

3" = 1'-0"

[www.krain.com](http://www.krain.com)



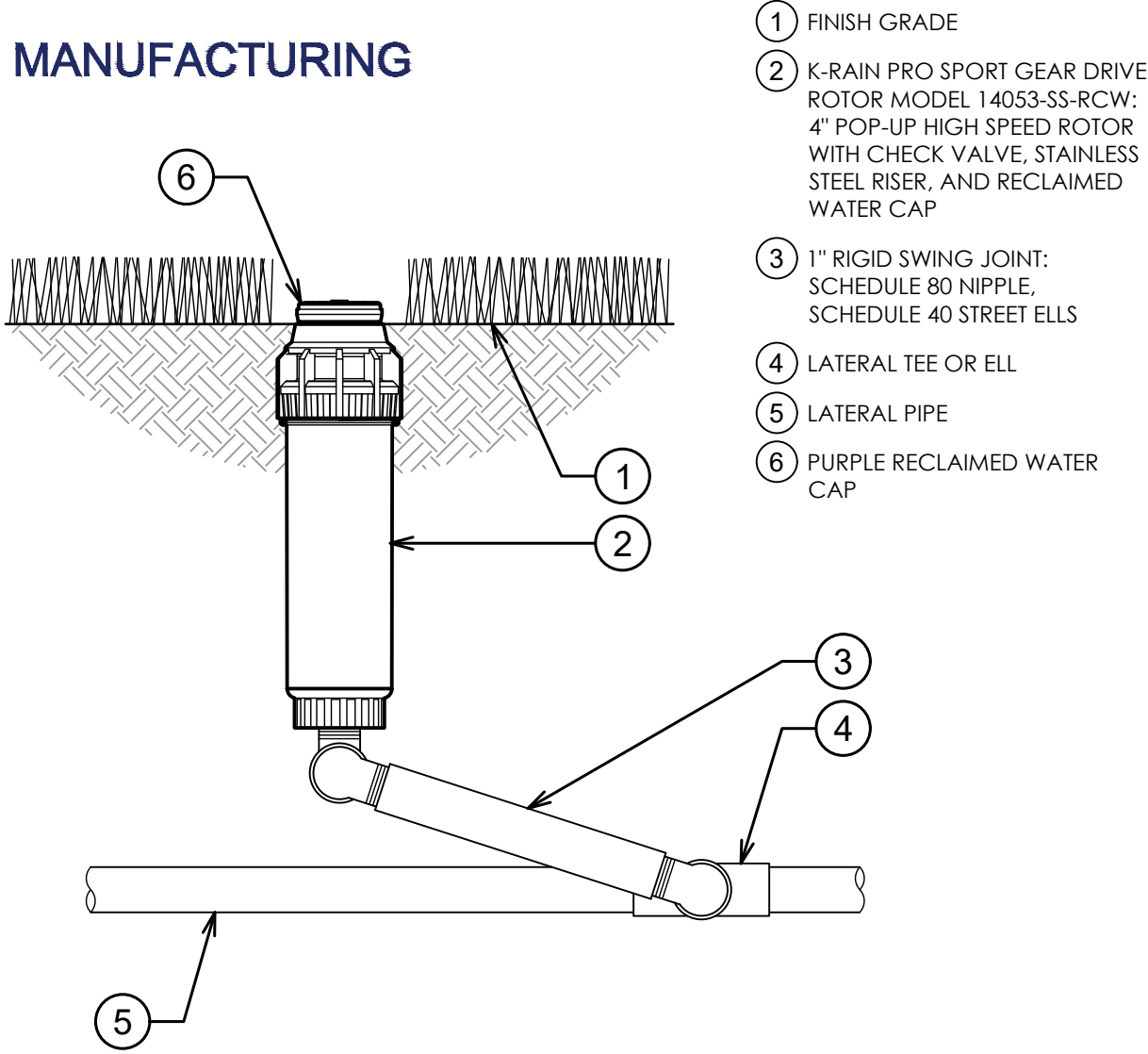
- ① FINISH GRADE
- ② K-RAIN PRO SPORT GEAR DRIVE ROTOR MODEL 14053-SS:  
4" POP-UP HIGH SPEED ROTOR  
WITH CHECK VALVE AND  
STAINLESS STEEL RISER
- ③ 1" RIGID SWING JOINT:  
SCHEDULE 80 NIPPLE,  
SCHEDULE 40 STREET ELLS
- ④ LATERAL TEE OR ELL
- ⑤ LATERAL PIPE



## K-RAIN PRO SPORT ROTOR WITH 4" POP-UP

3" = 1'-0"





- ① FINISH GRADE
- ② K-RAIN PRO SPORT GEAR DRIVE ROTOR MODEL 14053-SS-RCW: 4" POP-UP HIGH SPEED ROTOR WITH CHECK VALVE, STAINLESS STEEL RISER, AND RECLAIMED WATER CAP
- ③ 1" RIGID SWING JOINT: SCHEDULE 80 NIPPLE, SCHEDULE 40 STREET ELLS
- ④ LATERAL TEE OR ELL
- ⑤ LATERAL PIPE
- ⑥ PURPLE RECLAIMED WATER CAP



### K-RAIN PRO SPORT ROTOR WITH 4" POP-UP

3" = 1'-0"

[www.krain.com](http://www.krain.com)



## Product Specifications

---

### K-Rain ProSport Gear Drive Rotor

Model # 14053, 14053-SS, 14003, 14003-SS

### Professional Series Sprinkler

The sprinkler shall be of the gear-driven, rotary type, capable of covering a 43-75 foot (13.1-22.9 m) radius at 40 – 90 PSI (2.8 bar/280 kPa-6.2 bar/620 kPa) with a precipitation rate of 0.3–0.78 inches (0.7-2.0 cm) per hour. The sprinkler shall be available with six (6) color coded nozzles with a trajectory of 26° discharging from 5.1– 2.5 GPM (19.3-123.1 l/m) which incorporates three (3) discharge ports. The sprinkler shall have a stainless steel radius adjustment screw.

The sprinkler shall be adjustable in both part circle and a true full continuous 360° circle configuration. The adjustable part circle unit shall be minutely adjustable from 40° to 360°. The sprinkler shall have a top arc adjustment carried out by rotation of a flat blade screwdriver within the top cover. The sprinkler shall have an arc indication arrow on the top of sprinkler displaying the coverage pattern set. The sprinkler shall also have a friction-clutch mechanism to allow for 360°+ forward or reverse movement of nozzle turret without damage to the internal gear components. Sprinkler shall have a memory arc clutch feature to allow original arc pattern to be automatically resumed following disturbance to nozzle turret. The adjustable unit shall be adjustable in all phases of installation (i.e., before installation, after installation while static, and after installation while in operation).

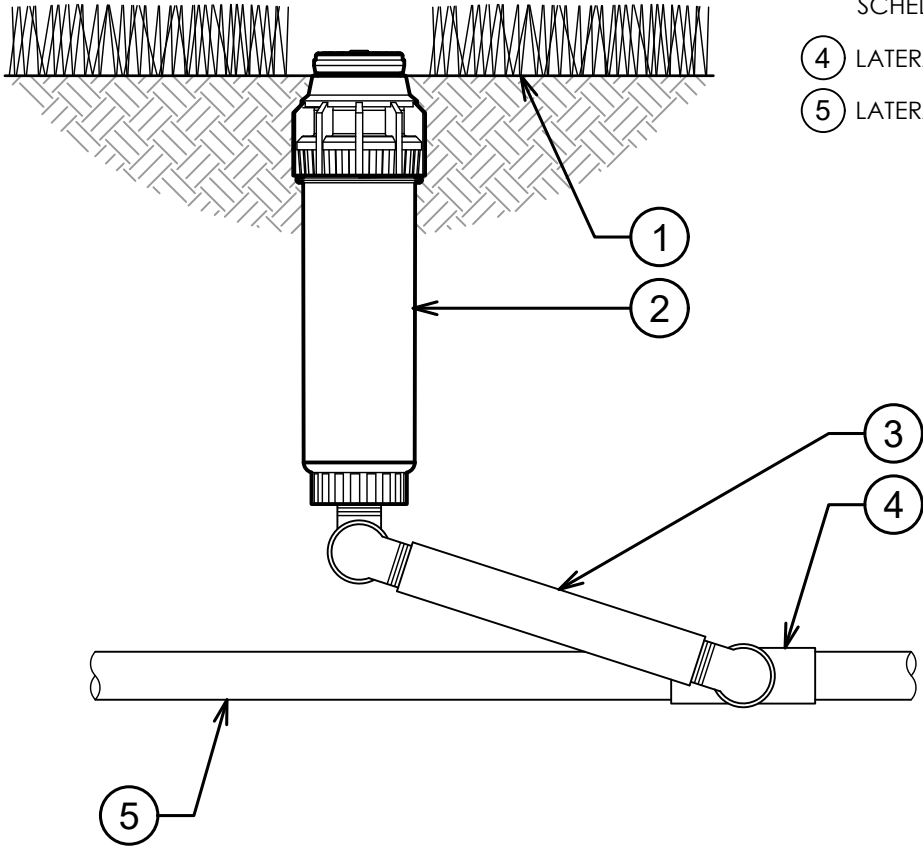
The sprinkler shall have a minimum of 4-inch (10.2 cm) pop-up stroke to bring the rotating nozzle turret into a clean environment. The sprinkler shall be available in a high speed (14053) or low speed (14003) rotation. The sprinkler shall be available with a plastic riser (14053, 14003) and a stainless steel riser (14053-SS, 14003-SS). The sprinkler may be equipped with a drain check valve to prevent low head drainage, and be capable of checking up to 10 feet (3 m) in elevation change. The sprinkler shall have a rubber cover firmly attached to the top of the turret. When specified, the sprinkler shall have a molded purple rubber cover to indicate the use of reclaimed water. The sprinkler shall have an exposed surface diameter after installation of 1-3/4 inches (4.4 cm) and have an overall height of 9-1/2 inches (24.1 cm). The unit shall have a 1-inch Female National Pipe Thread (FNPT) inlet. The sprinkler shall be serviceable after installation by unscrewing the body cap, removing the riser assembly, and extracting the inlet filter screen.

The body and riser of the sprinkler shall be constructed of corrosion resistant, impact resistant, heavy duty ABS. It shall have a stainless steel spring for positive retraction of the riser when irrigation is complete. The sprinkler shall carry a five-year trade, exchange warranty.

The sprinkler shall be manufactured by K-Rain Manufacturing Corporation of Riviera Beach, Florida an ISO 9001:2000 Certified Company.



- ① FINISH GRADE
- ② K-RAIN PRO SPORT GEAR DRIVE ROTOR MODEL 14003: 4" POP-UP ROTOR WITH CHECK VALVE
- ③ 1" RIGID SWING JOINT: SCHEDULE 80 NIPPLE, SCHEDULE 40 STREET ELLS
- ④ LATERAL TEE OR ELL
- ⑤ LATERAL PIPE



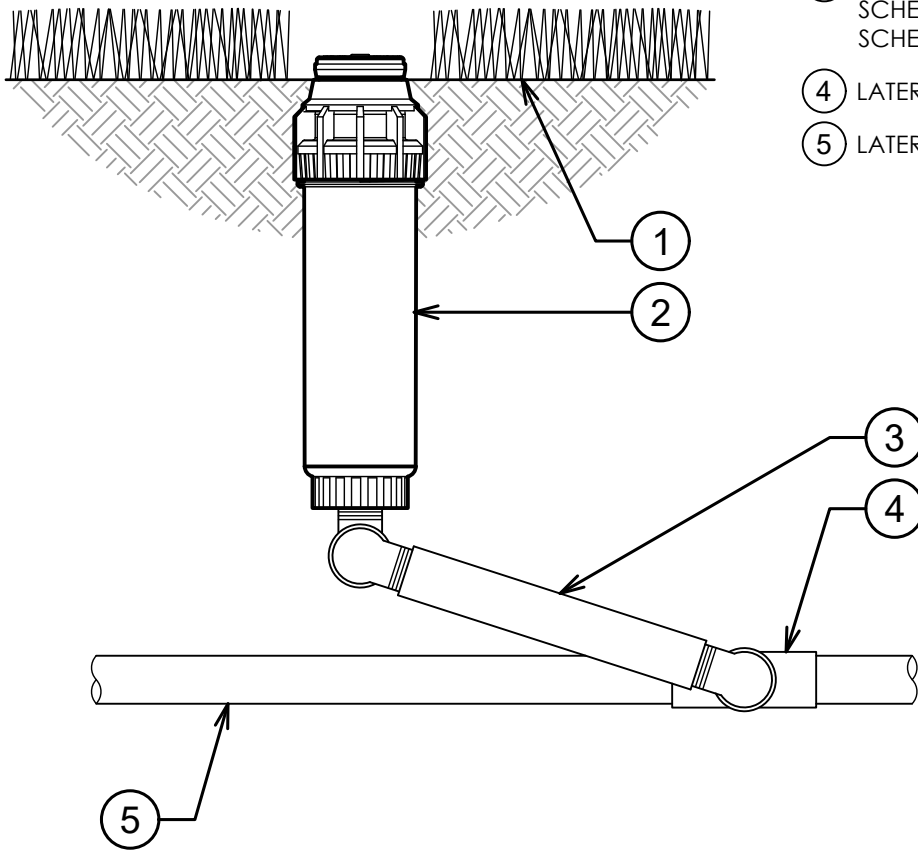
**K-RAIN PRO SPORT ROTOR WITH 4" POP-UP**

3" = 1'-0"

[www.krain.com](http://www.krain.com)



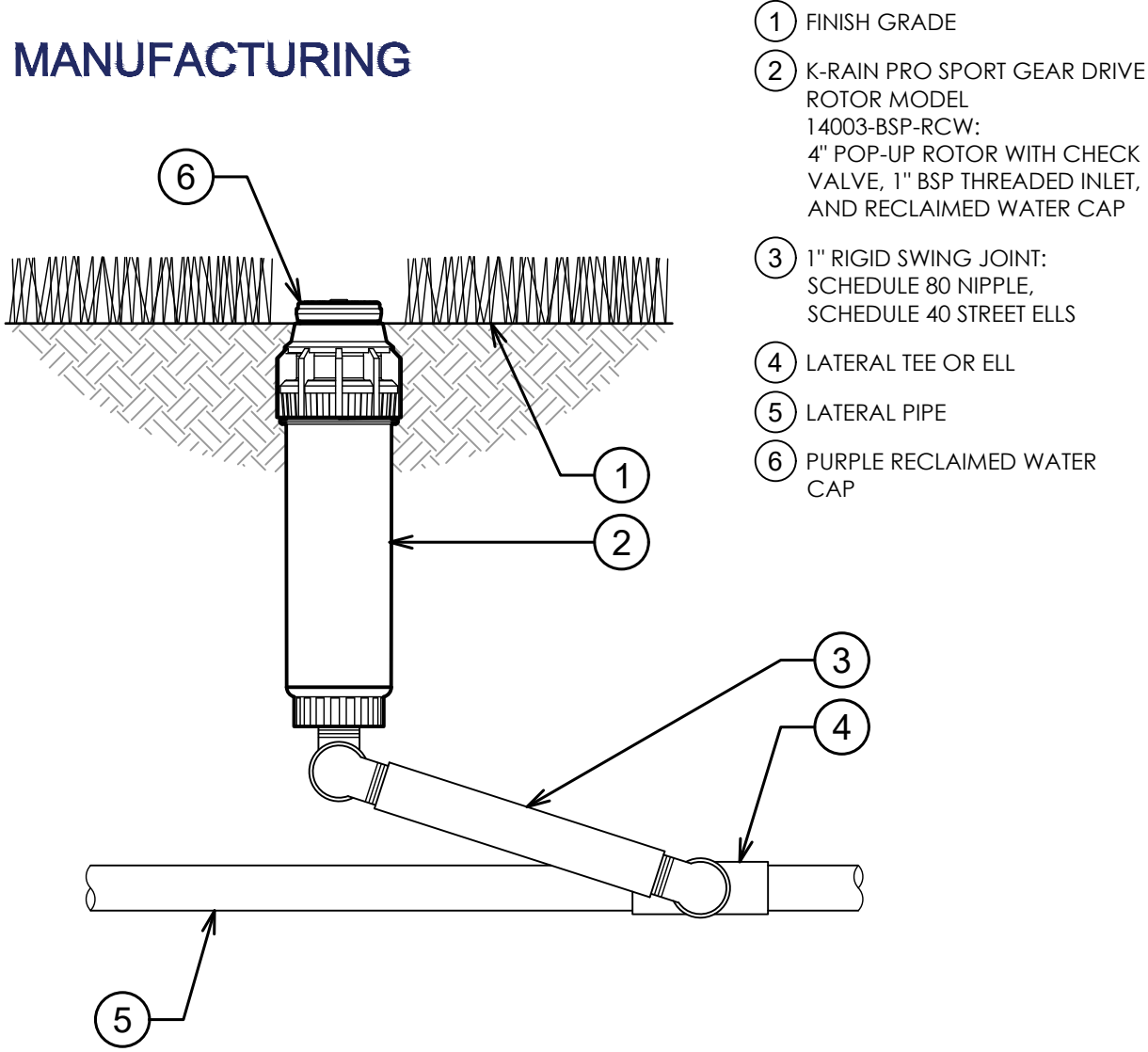
- ① FINISH GRADE
- ② K-RAIN PRO SPORT GEAR DRIVE ROTOR MODEL 14003-BSP: 4" POP-UP ROTOR WITH CHECK VALVE AND 1" BSP THREADED INLET
- ③ 1" RIGID SWING JOINT: SCHEDULE 80 NIPPLE, SCHEDULE 40 STREET ELLS
- ④ LATERAL TEE OR ELL
- ⑤ LATERAL PIPE



## K-RAIN PRO SPORT ROTOR WITH 4" POP-UP

3" = 1'-0"

[www.krain.com](http://www.krain.com)



- ① FINISH GRADE
- ② K-RAIN PRO SPORT GEAR DRIVE ROTOR MODEL 14003-BSP-RCW: 4" POP-UP ROTOR WITH CHECK VALVE, 1" BSP THREADED INLET, AND RECLAIMED WATER CAP
- ③ 1" RIGID SWING JOINT: SCHEDULE 80 NIPPLE, SCHEDULE 40 STREET ELLS
- ④ LATERAL TEE OR ELL
- ⑤ LATERAL PIPE
- ⑥ PURPLE RECLAIMED WATER CAP



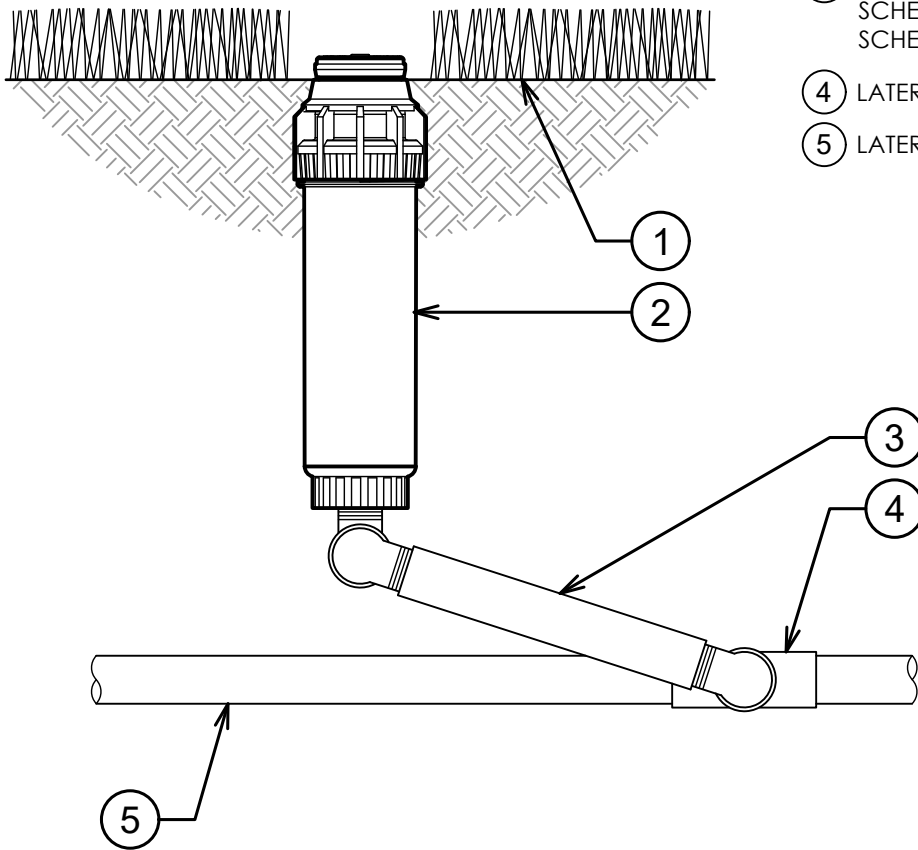
### K-RAIN PRO SPORT ROTOR WITH 4" POP-UP

3" = 1'-0"

[www.krain.com](http://www.krain.com)



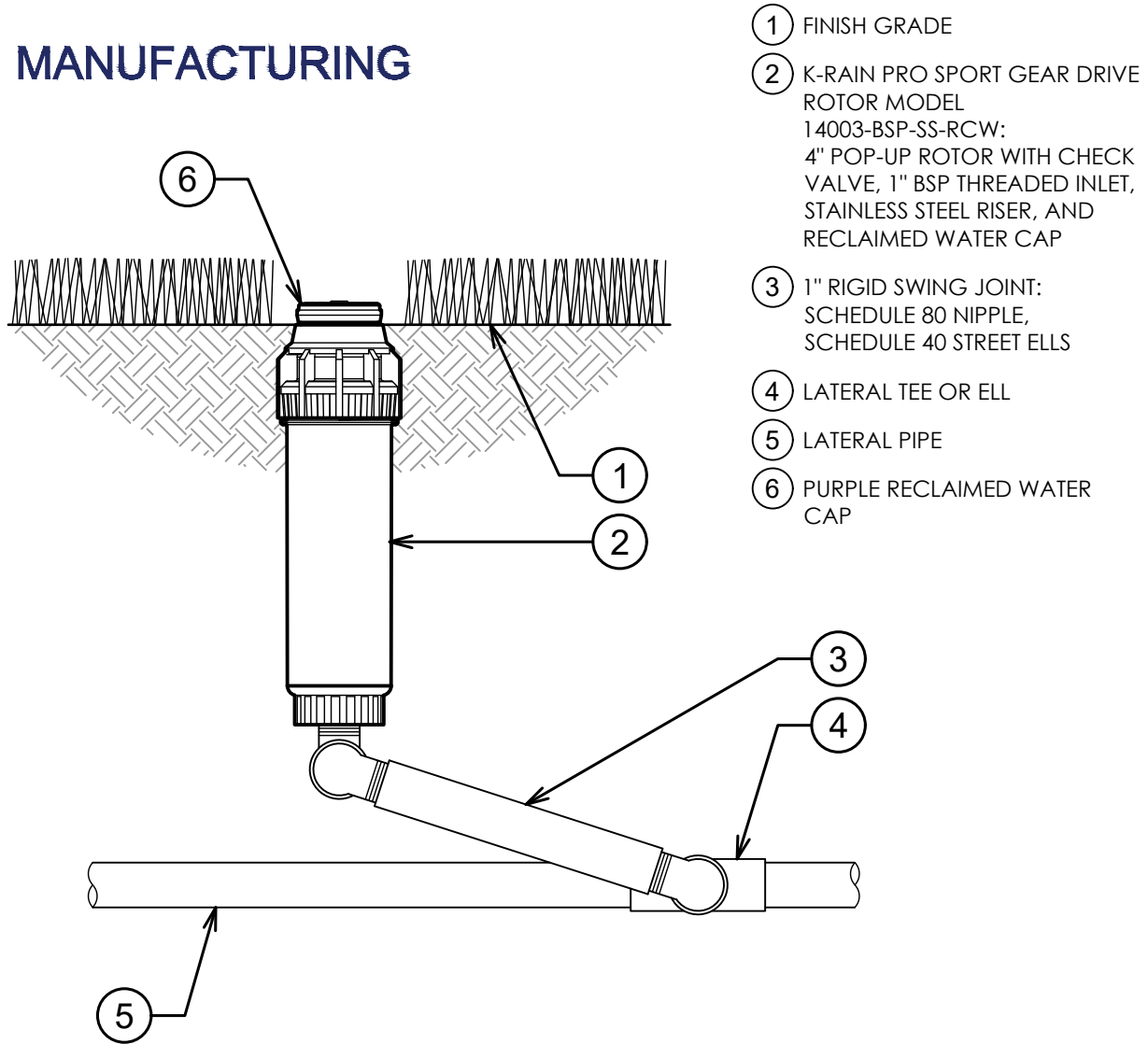
- ① FINISH GRADE
- ② K-RAIN PRO SPORT GEAR DRIVE ROTOR MODEL 14003-BSP-SS: 4" POP-UP ROTOR WITH CHECK VALVE, 1" BSP THREADED INLET, AND STAINLESS STEEL RISER
- ③ 1" RIGID SWING JOINT: SCHEDULE 80 NIPPLE, SCHEDULE 40 STREET ELLS
- ④ LATERAL TEE OR ELL
- ⑤ LATERAL PIPE



## K-RAIN PRO SPORT ROTOR WITH 4" POP-UP

3" = 1'-0"

[www.krain.com](http://www.krain.com)



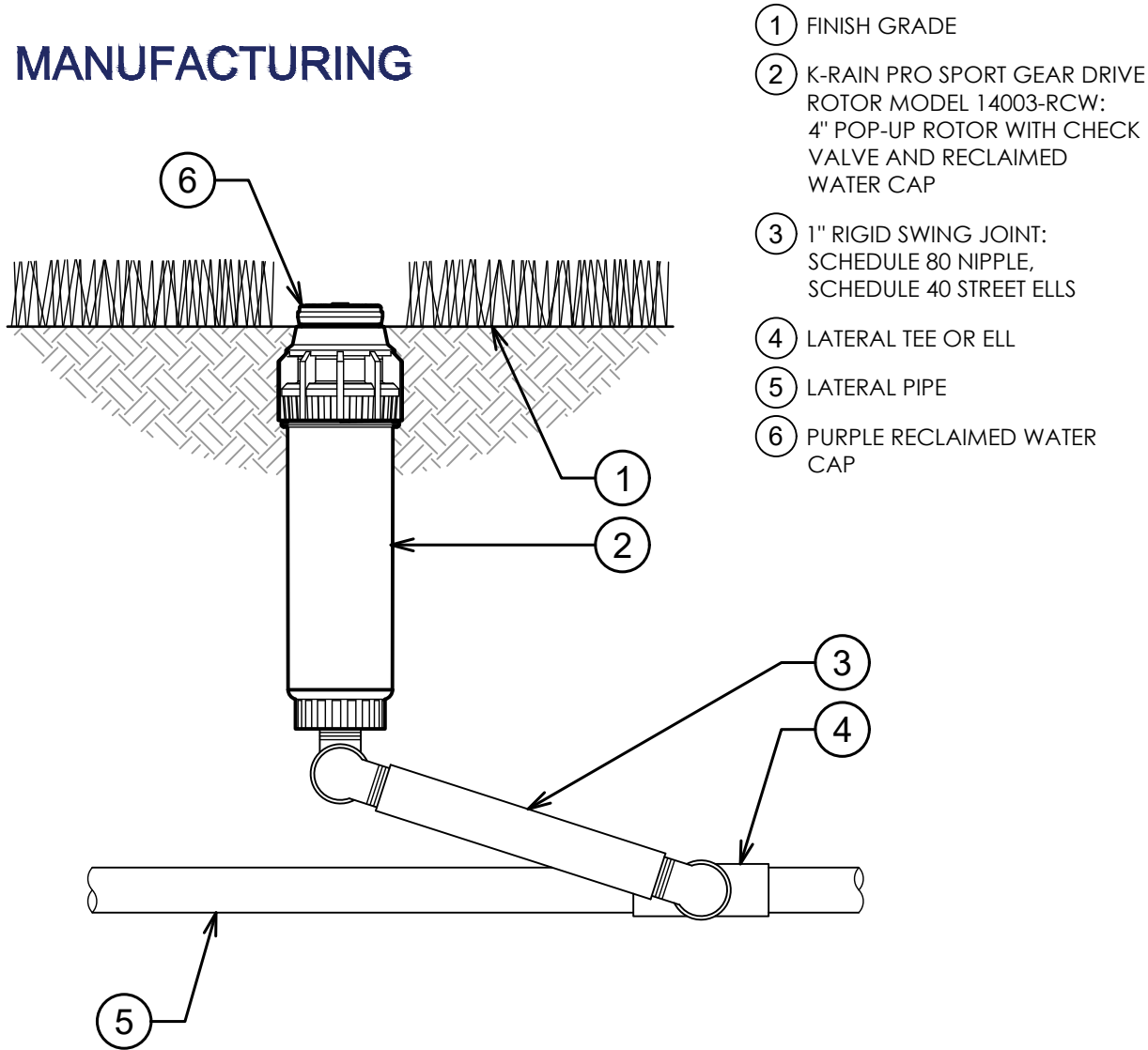
- ① FINISH GRADE
- ② K-RAIN PRO SPORT GEAR DRIVE ROTOR MODEL 14003-BSP-SS-RCW: 4" POP-UP ROTOR WITH CHECK VALVE, 1" BSP THREADED INLET, STAINLESS STEEL RISER, AND RECLAIMED WATER CAP
- ③ 1" RIGID SWING JOINT: SCHEDULE 80 NIPPLE, SCHEDULE 40 STREET ELLS
- ④ LATERAL TEE OR ELL
- ⑤ LATERAL PIPE
- ⑥ PURPLE RECLAIMED WATER CAP



## K-RAIN PRO SPORT ROTOR WITH 4" POP-UP

3" = 1'-0"

[www.krain.com](http://www.krain.com)



- ① FINISH GRADE
- ② K-RAIN PRO SPORT GEAR DRIVE ROTOR MODEL 14003-RCW: 4" POP-UP ROTOR WITH CHECK VALVE AND RECLAIMED WATER CAP
- ③ 1" RIGID SWING JOINT: SCHEDULE 80 NIPPLE, SCHEDULE 40 STREET ELLS
- ④ LATERAL TEE OR ELL
- ⑤ LATERAL PIPE
- ⑥ PURPLE RECLAIMED WATER CAP



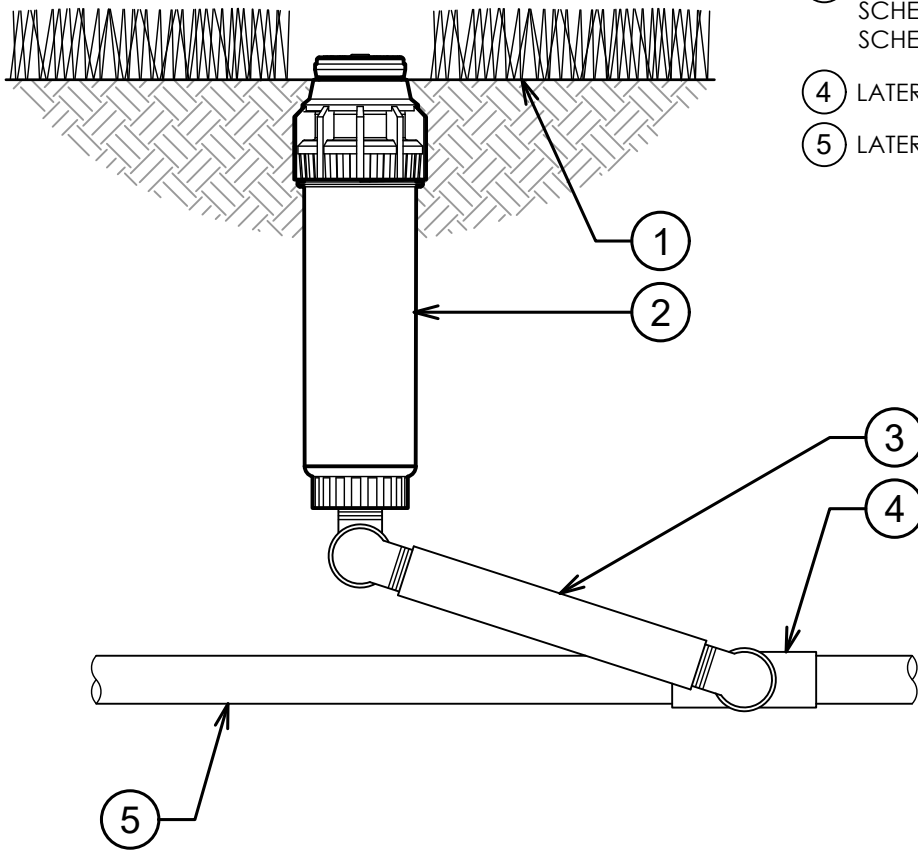
## K-RAIN PRO SPORT ROTOR WITH 4" POP-UP

3" = 1'-0"





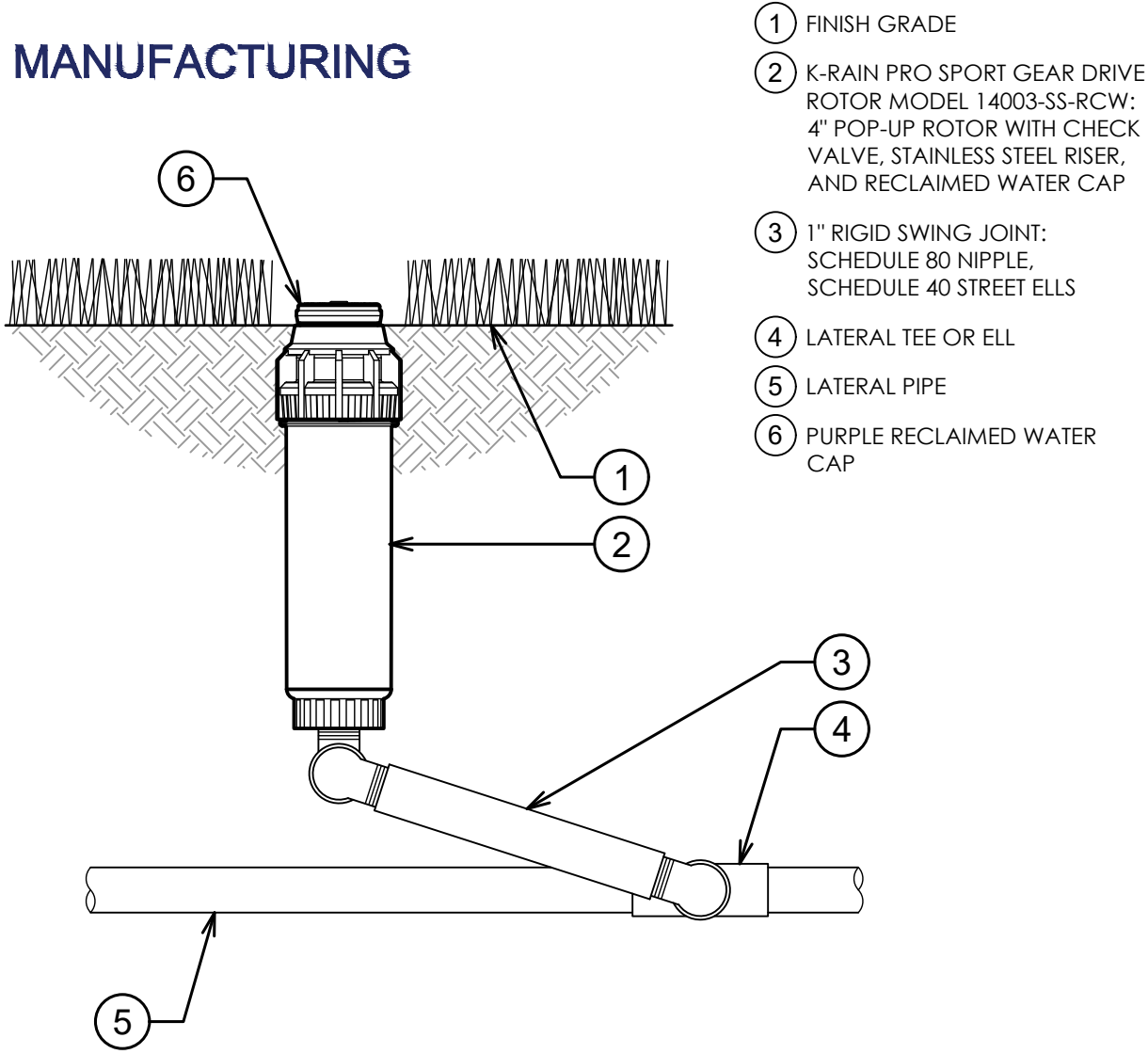
- ① FINISH GRADE
- ② K-RAIN PRO SPORT GEAR DRIVE ROTOR MODEL 14003-SS:  
4" POP-UP ROTOR WITH CHECK VALVE AND STAINLESS STEEL RISER
- ③ 1" RIGID SWING JOINT:  
SCHEDULE 80 NIPPLE,  
SCHEDULE 40 STREET ELLS
- ④ LATERAL TEE OR ELL
- ⑤ LATERAL PIPE



## K-RAIN PRO SPORT ROTOR WITH 4" POP-UP

3" = 1'-0"

[www.krain.com](http://www.krain.com)



- ① FINISH GRADE
- ② K-RAIN PRO SPORT GEAR DRIVE ROTOR MODEL 14003-SS-RCW: 4" POP-UP ROTOR WITH CHECK VALVE, STAINLESS STEEL RISER, AND RECLAIMED WATER CAP
- ③ 1" RIGID SWING JOINT: SCHEDULE 80 NIPPLE, SCHEDULE 40 STREET ELLS
- ④ LATERAL TEE OR ELL
- ⑤ LATERAL PIPE
- ⑥ PURPLE RECLAIMED WATER CAP

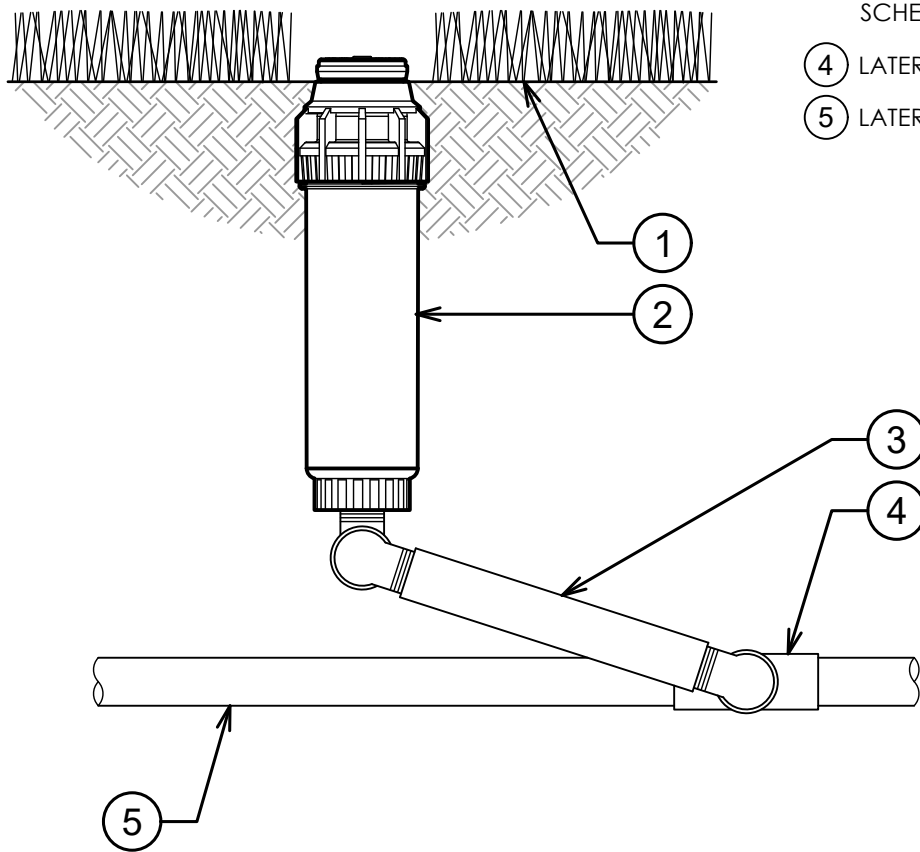


## K-RAIN PRO SPORT ROTOR WITH 4" POP-UP

3" = 1'-0"



- ① FINISH GRADE
- ② K-RAIN PRO SPORT GEAR DRIVE ROTOR MODEL 14053:  
4" POP-UP HIGH SPEED ROTOR WITH CHECK VALVE
- ③ 1" RIGID SWING JOINT:  
SCHEDULE 80 NIPPLE,  
SCHEDULE 40 STREET ELLS
- ④ LATERAL TEE OR ELL
- ⑤ LATERAL PIPE



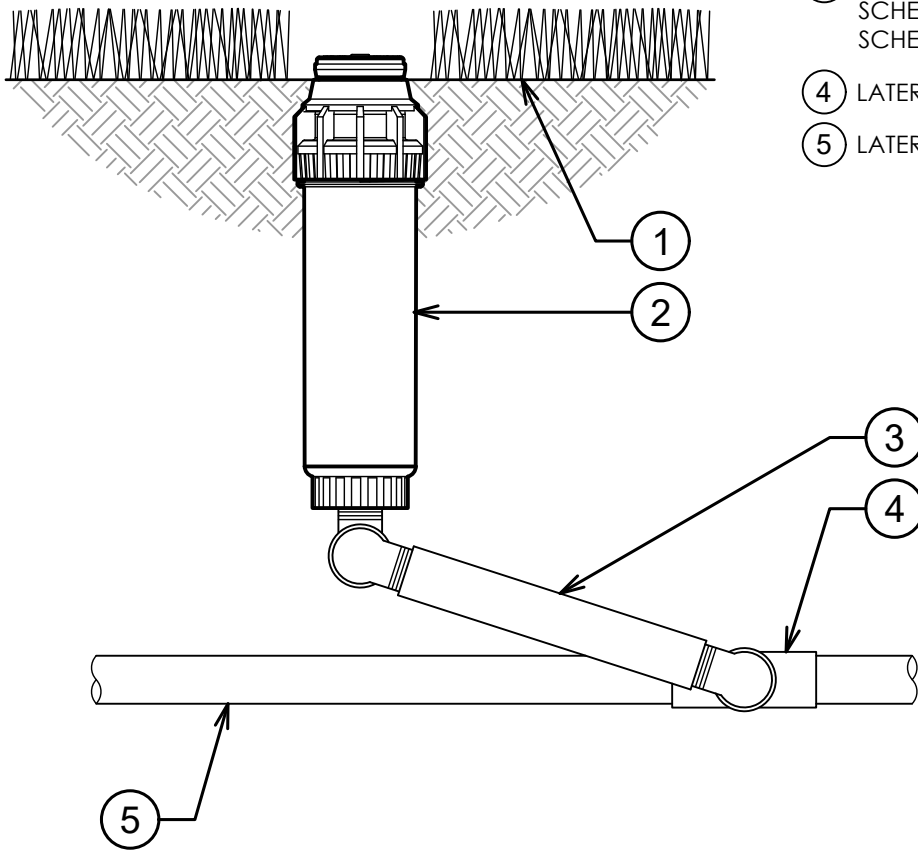
## K-RAIN PRO SPORT ROTOR WITH 4" POP-UP

3" = 1'-0"

[www.krain.com](http://www.krain.com)



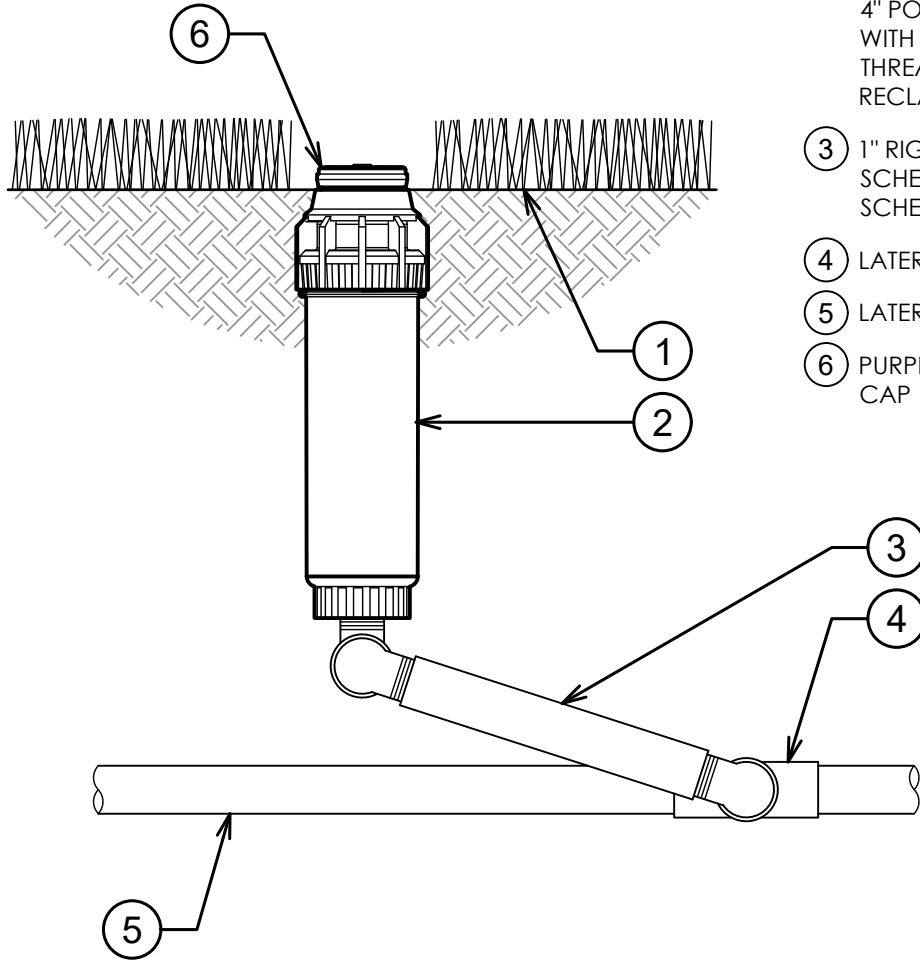
- ① FINISH GRADE
- ② K-RAIN PRO SPORT GEAR DRIVE ROTOR MODEL 14053-BSP:  
4" POP-UP HIGH SPEED ROTOR  
WITH CHECK VALVE AND 1"  
BSP THREADED INLET
- ③ 1" RIGID SWING JOINT:  
SCHEDULE 80 NIPPLE,  
SCHEDULE 40 STREET ELLS
- ④ LATERAL TEE OR ELL
- ⑤ LATERAL PIPE



## K-RAIN PRO SPORT ROTOR WITH 4" POP-UP

3" = 1'-0"

[www.krain.com](http://www.krain.com)



- ① FINISH GRADE
- ② K-RAIN PRO SPORT GEAR DRIVE ROTOR MODEL 14053-BSP-RCW: 4" POP-UP HIGH SPEED ROTOR WITH CHECK VALVE, 1" BSP THREADED INLET, AND RECLAIMED WATER CAP
- ③ 1" RIGID SWING JOINT: SCHEDULE 80 NIPPLE, SCHEDULE 40 STREET ELLS
- ④ LATERAL TEE OR ELL
- ⑤ LATERAL PIPE
- ⑥ PURPLE RECLAIMED WATER CAP



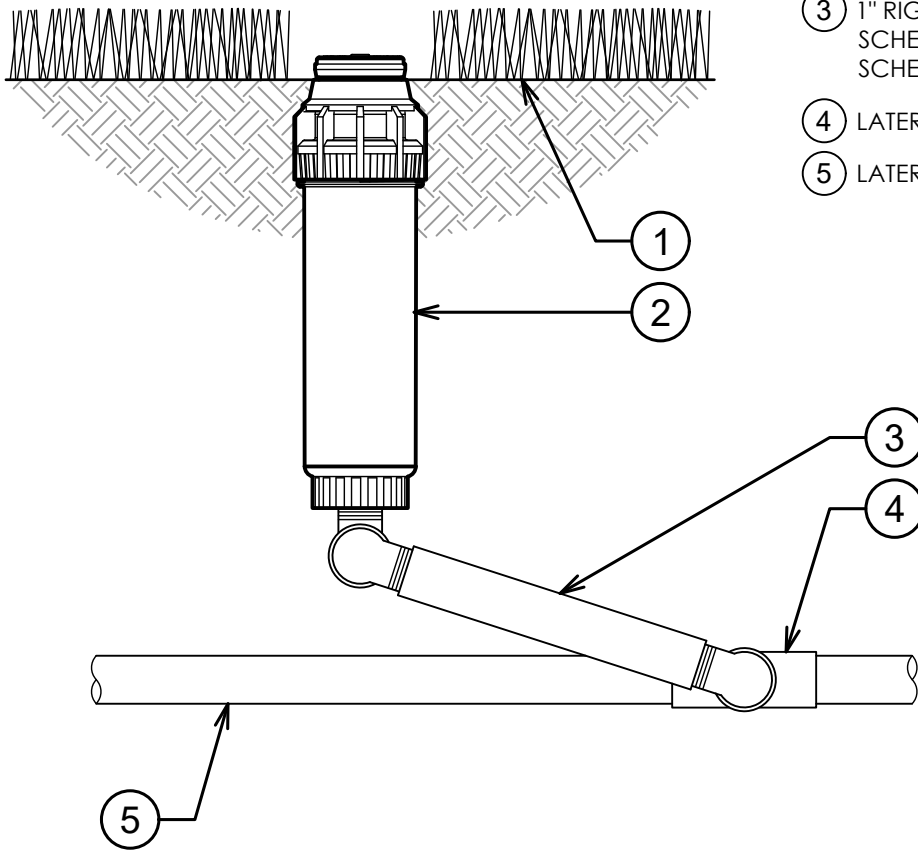
## K-RAIN PRO SPORT ROTOR WITH 4" POP-UP

3" = 1'-0"

[www.krain.com](http://www.krain.com)



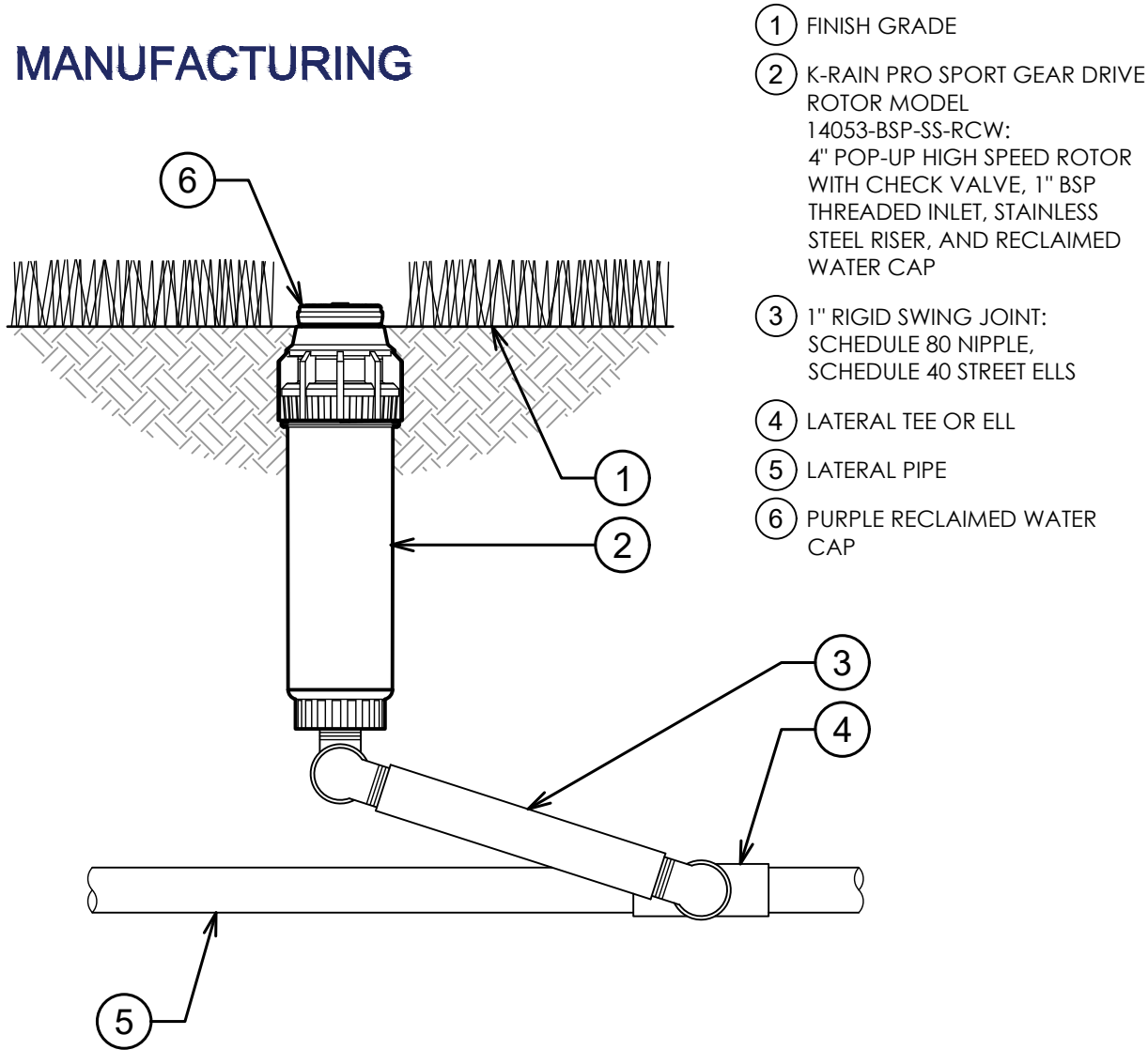
- ① FINISH GRADE
- ② K-RAIN PRO SPORT GEAR DRIVE ROTOR MODEL 14053-BSP-SS: 4" POP-UP HIGH SPEED ROTOR WITH CHECK VALVE, 1" BSP THREADED INLET, AND STAINLESS STEEL RISER
- ③ 1" RIGID SWING JOINT: SCHEDULE 80 NIPPLE, SCHEDULE 40 STREET ELLS
- ④ LATERAL TEE OR ELL
- ⑤ LATERAL PIPE



## K-RAIN PRO SPORT ROTOR WITH 4" POP-UP

3" = 1'-0"

[www.krain.com](http://www.krain.com)

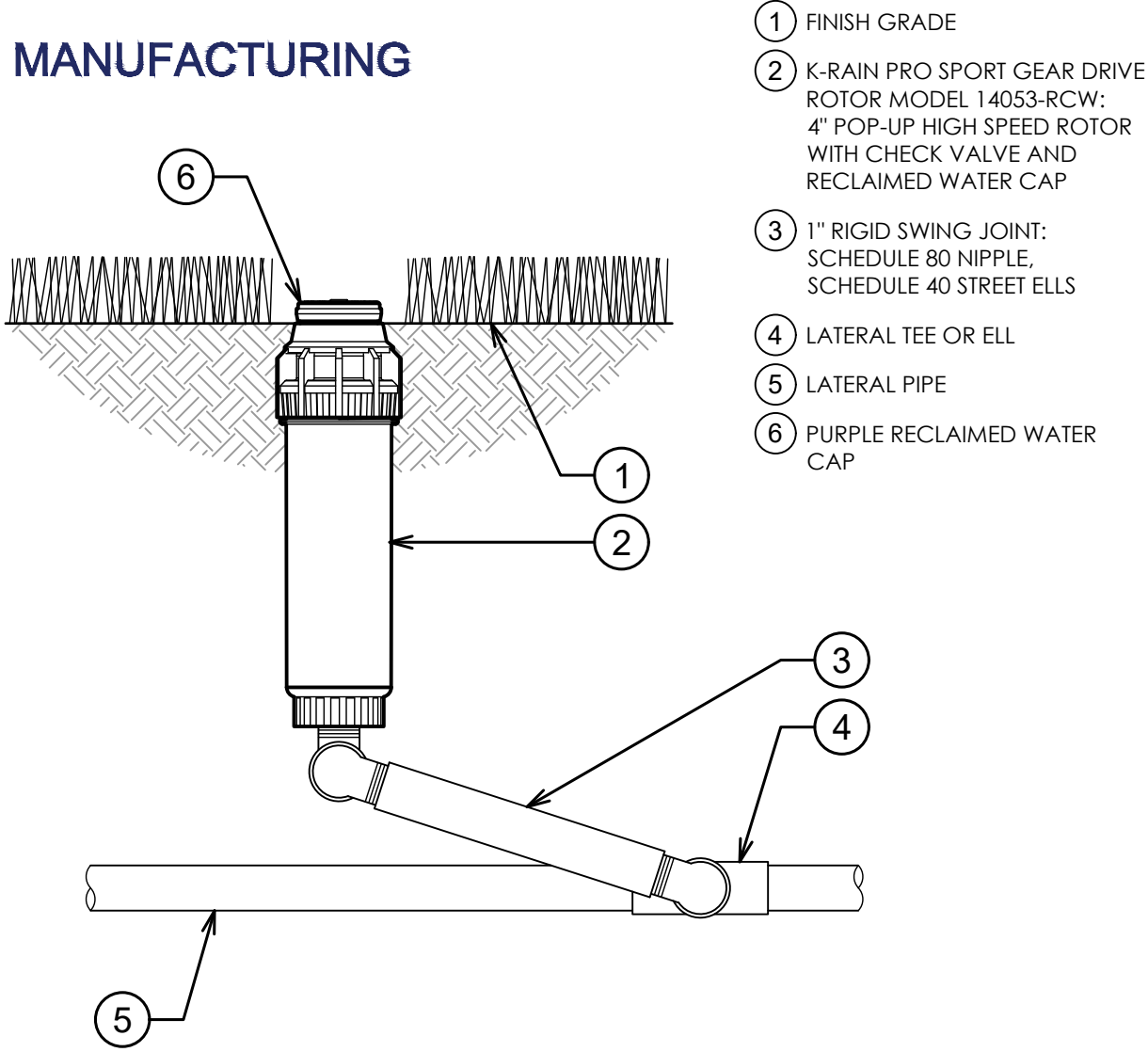


- ① FINISH GRADE
- ② K-RAIN PRO SPORT GEAR DRIVE ROTOR MODEL 14053-BSP-SS-RCW: 4" POP-UP HIGH SPEED ROTOR WITH CHECK VALVE, 1" BSP THREADED INLET, STAINLESS STEEL RISER, AND RECLAIMED WATER CAP
- ③ 1" RIGID SWING JOINT: SCHEDULE 80 NIPPLE, SCHEDULE 40 STREET ELLS
- ④ LATERAL TEE OR ELL
- ⑤ LATERAL PIPE
- ⑥ PURPLE RECLAIMED WATER CAP



## K-RAIN PRO SPORT ROTOR WITH 4" POP-UP

3" = 1'-0"



- ① FINISH GRADE
- ② K-RAIN PRO SPORT GEAR DRIVE ROTOR MODEL 14053-RCW: 4" POP-UP HIGH SPEED ROTOR WITH CHECK VALVE AND RECLAIMED WATER CAP
- ③ 1" RIGID SWING JOINT: SCHEDULE 80 NIPPLE, SCHEDULE 40 STREET ELLS
- ④ LATERAL TEE OR ELL
- ⑤ LATERAL PIPE
- ⑥ PURPLE RECLAIMED WATER CAP



**K-RAIN PRO SPORT ROTOR WITH 4" POP-UP**

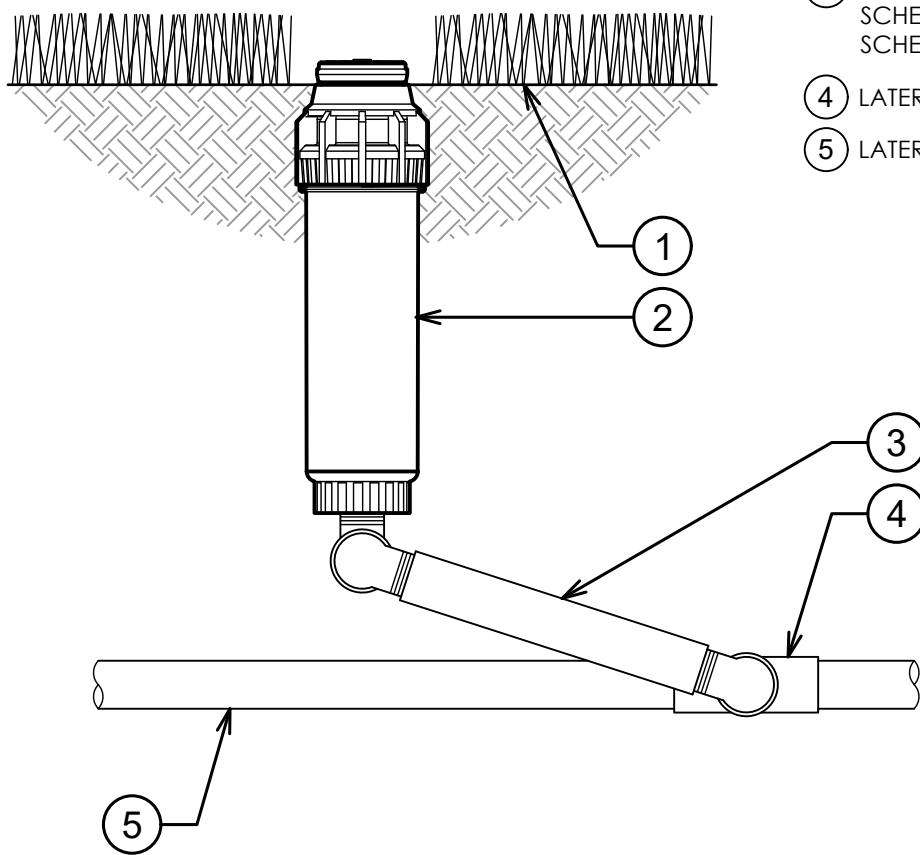
3" = 1'-0"

[www.krain.com](http://www.krain.com)



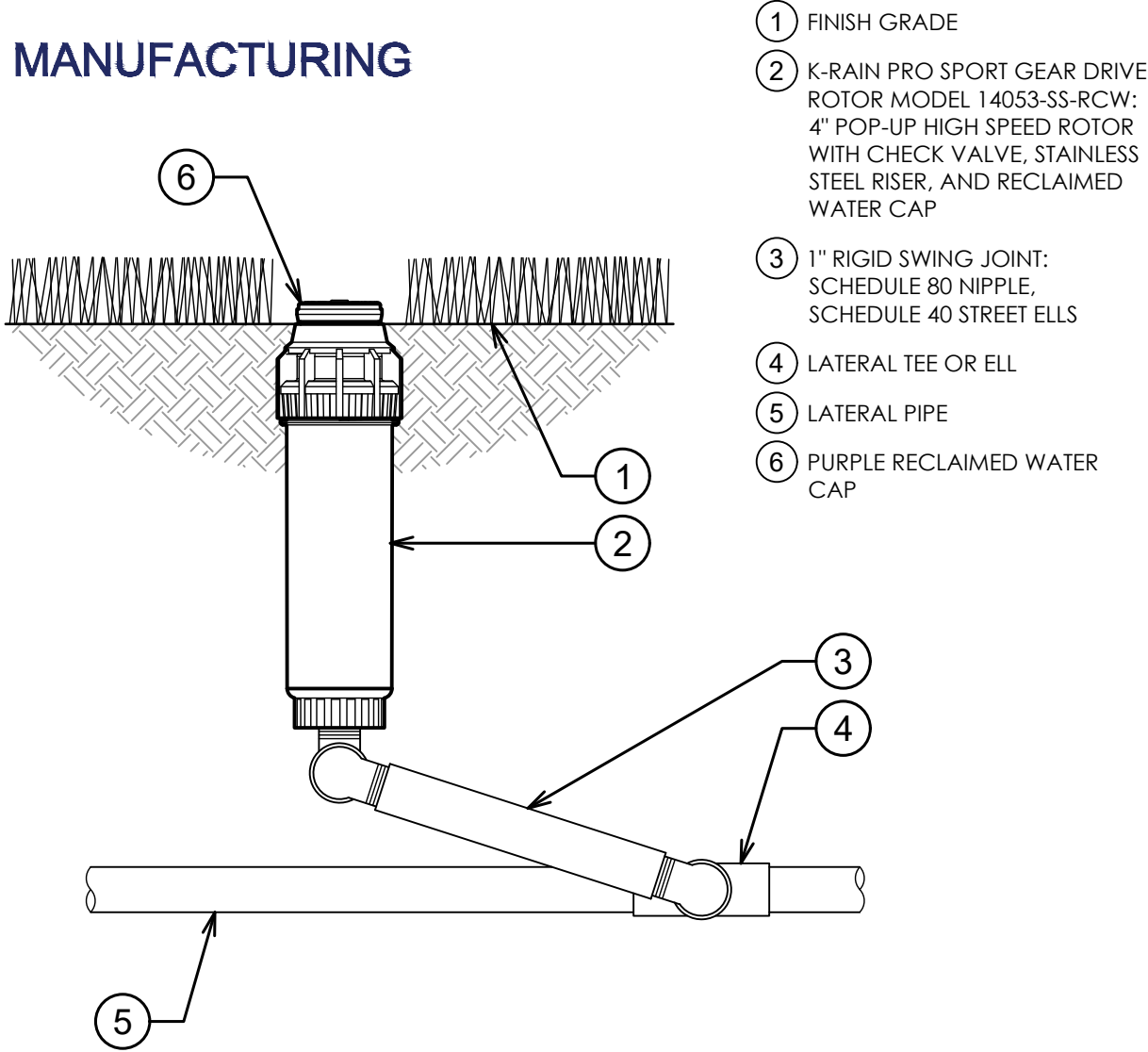


- ① FINISH GRADE
- ② K-RAIN PRO SPORT GEAR DRIVE ROTOR MODEL 14053-SS:  
4" POP-UP HIGH SPEED ROTOR  
WITH CHECK VALVE AND  
STAINLESS STEEL RISER
- ③ 1" RIGID SWING JOINT:  
SCHEDULE 80 NIPPLE,  
SCHEDULE 40 STREET ELLS
- ④ LATERAL TEE OR ELL
- ⑤ LATERAL PIPE



## K-RAIN PRO SPORT ROTOR WITH 4" POP-UP

3" = 1'-0"



- ① FINISH GRADE
- ② K-RAIN PRO SPORT GEAR DRIVE ROTOR MODEL 14053-SS-RCW: 4" POP-UP HIGH SPEED ROTOR WITH CHECK VALVE, STAINLESS STEEL RISER, AND RECLAIMED WATER CAP
- ③ 1" RIGID SWING JOINT: SCHEDULE 80 NIPPLE, SCHEDULE 40 STREET ELLS
- ④ LATERAL TEE OR ELL
- ⑤ LATERAL PIPE
- ⑥ PURPLE RECLAIMED WATER CAP



**K-RAIN PRO SPORT ROTOR WITH 4" POP-UP**

3" = 1'-0"



# 1" PGV & PGV JAR-TOP

These versatile and robust valves offer simple serviceability.

## KEY BENEFITS

- External/internal manual bleed allows for quick and easy activation at the valve
- Double-beaded diaphragm seal design ensures leak-free performance
- Captive bonnet screws eliminate the possibility of lost parts during disassembly
- Triple-tool bonnet screws are compatible with standard or Phillips screwdrivers as well as a nut driver
- Jar-top models provide easy access without tools
- Encapsulated solenoid with captive plunger used on every Hunter valve provides hassle-free service
- Flow control maximizes efficiency and prolongs the life of the system

## USER-INSTALLED OPTIONS

- Accu Sync® pressure regulation at the valve\*
- DC-latching solenoid for battery-powered controllers (P/N 458200)
- Solenoid conduit cover (P/N 464322)

## FACTORY-INSTALLED OPTIONS

- LS: Valve without solenoid
- DC: DC-latching solenoid for battery-powered controllers
- JT: Jar-top models

## OPERATING SPECIFICATIONS

- Flow: 0.2 to 40 GPM
- Recommended pressure range: 20 to 150 PSI
- Temperature rating: 150°F
- Warranty period: 2 years

## SOLENOID SPECIFICATIONS

- 24 VAC solenoid
  - 350 mA inrush, 190 mA holding, 60 Hz
  - 370 mA inrush, 210 mA holding, 50 Hz

\* Accu Sync product information on [page 83](#)



### PGV-100G

Inlet diameter: 1"  
Height: 5"  
Length: 4½"  
Width: 2½"



### PGV-101G

Inlet diameter: 1"  
Height: 5"  
Length: 4½"  
Width: 2½"



### PGV-100JT-G

Inlet diameter: 1"  
Height: 5½"  
Length: 4½"  
Width: 3¼"



### PGV-101JT-G

Inlet diameter: 1"  
Height: 5½"  
Length: 4½"  
Width: 3¼"

### Double-Beaded Diaphragm



### Captive Bonnet Bolts



1" PGV	
Model	Description
PGV-100A	1" plastic angle valve, without flow control, female NPT inlet and outlet
PGV-100G	1" plastic globe valve, without flow control, female NPT inlet and outlet
PGV-100G-S	1" plastic globe valve, without flow control, slip inlet and outlet
PGV-100G-LS	1" plastic globe valve, without flow control, female NPT inlet and outlet, no solenoid
PGV-100-MB	1" plastic globe valve, without flow control, male NPT inlet, 1" outlet poly insert barb
PGV-100-MB125	1" plastic globe valve, without flow control, male NPT inlet, 1/4" outlet poly insert barb
PGV-100-MM	1" plastic globe valve, without flow control, male NPT inlet and outlet
PGV-101A	1" plastic angle valve, with flow control, female NPT inlet and outlet
PGV-101G	1" plastic globe valve, with flow control, female NPT inlet and outlet
PGV-101G-S	1" plastic globe valve, with flow control, slip inlet and outlet
PGV-101G-LS	1" plastic globe valve, with flow control, female NPT inlet and outlet, no solenoid
PGV-101-MB	1" plastic globe valve, with flow control, male NPT inlet, 1" outlet poly insert barb
PGV-101-MB125	1" plastic globe valve, with flow control, male NPT inlet, 1/4" outlet poly insert barb
PGV-101-MM	1" plastic globe valve, with flow control, male NPT inlet and outlet

PGV JAR-TOP	
Model	Description
PGV-100JT-G	1" plastic globe valve, jar-top bonnet, without flow control, female NPT inlet and outlet
PGV-100JT-G-LS	1" plastic globe valve, jar-top bonnet, without flow control, female NPT inlet and outlet, no solenoid
PGV-100JT-GS	1" plastic globe valve, jar-top bonnet, without flow control, female slip inlet and outlet
PGV-100JT-MB	1" plastic globe valve, jar-top bonnet, without flow control, male NPT inlet, 1" outlet poly insert barb
PGV-100JT-MB075	1" plastic globe valve, jar-top bonnet, without flow control, male NPT inlet, 3/4" outlet poly insert barb
PGV-100JT-MB125	1" plastic globe valve, jar-top bonnet, without flow control, male NPT inlet, 1/4" outlet poly insert barb
PGV-100JT-MM	1" plastic globe valve, jar-top bonnet, without flow control, male NPT inlet and outlet
PGV-101JT-G	1" plastic globe valve, jar-top bonnet, with flow control, female NPT inlet and outlet
PGV-101JT-G-LS	1" plastic globe valve, jar-top bonnet, with flow control, female NPT inlet and outlet, no solenoid
PGV-101JT-GS	1" plastic globe valve, jar-top bonnet, with flow control, female slip inlet and outlet
PGV-101JT-MB	1" plastic globe valve, jar-top bonnet, with flow control, male NPT inlet, 1" outlet poly insert barb
PGV-101JT-MB075	1" plastic globe valve, jar-top bonnet, with flow control, male NPT inlet, 3/4" outlet poly insert barb
PGV-101JT-MB125	1" plastic globe valve, jar-top bonnet, with flow control, male NPT inlet, 1/4" outlet poly insert barb
PGV-101JT-MM	1" plastic globe valve, jar-top bonnet, with flow control, male NPT inlet and outlet

PGV PRESSURE LOSS IN PSI				
GPM	Globe	Angle	Male x Male	Male x Barb
1	3	1	2	2
5	4	1	2	2
10	4	1	2	2
15	5	1	3	3
20	5	2	4	4
25	6	2	7	6
30	8	3	10	10
40	14	5	18	16

PGV-100G Installed



# ICC2

This reliable control system can run conventional, two-wire, or hybrid operations with the option to upgrade to Centralus™ cloud-based control.

## KEY BENEFITS

- Number of stations:
  - Conventional: 8 to 38 (plastic), 8 to 54 (metal and pedestals)
  - With two-wire EZDS: up to 54 (all enclosure options)
- 4 independent irrigation programs (8 start times each) allow for customized scheduling
- 12-hour maximum station run time provides flexibility for low-flow zones
- Any 2 programs can operate simultaneously, providing more efficient watering
- 1 sensor input available for use with Solar Sync® or any Klik sensors
- 1 P/MV output for pump start relay and master valve activation
- Backward compatibility to original ICC controllers allows for quick updates to older systems
- Upgradeable to Centralus software for web-based central control options

## OPERATING SPECIFICATIONS

- Transformer input: 120/230 VAC
- Transformer output (24 VAC): 1.4 A
- Station output (24 VAC): 0.56 A
- P/MV output (24 VAC): 0.56 A
- Approvals: Wall Mounts IP44, Plastic Pedestal IP34, NEMA 3R, UL, cUL, FCC, CE, RCM
- Warranty period: 5 years

## USER-INSTALLED OPTIONS

- WIFIKIT or LANKIT communications for Centralus web-based control
- Compatible with Flow-Klik® sensor for catastrophic high-flow shutdown see [page 140](#)



### Plastic

Height: 12"  
Width: 13¾"  
Depth: 5"

### Metal

(gray or stainless steel)  
Height: 16"  
Width: 13"  
Depth: 5"



### Metal Pedestal

(gray or stainless steel)  
Height: 36"  
Width: 11½"  
Depth: 5"



### Plastic Pedestal

Height: 39"  
Width: 24"  
Depth: 17"

ICC2	
Model	Description
I2C-800-PL	8-station base model, plastic outdoor wall mount
I2C-800-M	8-station base model, gray metal outdoor, wall mount
I2C-800-SS	8-station base model, stainless steel, wall mount
I2C-800-PP	8-station base model, plastic pedestal
ICC-FPUP2	ICC2 retrofit kit for original ICC controllers
ICC-PED	Gray pedestal for metal wall mount
ICC-PED-SS	Stainless steel pedestal for stainless wall mount
ICC-PWB	Optional pedestal wiring board for metal pedestals

ICC2 SERIES STATION EXPANSION	
Model	Description
ICM-400	4-station plug-in module with enhanced surge suppression
ICM-800	8-station plug-in module with enhanced surge suppression
ICM-2200	22-station expansion module (one per controller)
EZ-DM	54-station decoder output module (one per controller)
EZ-1	Single-station EZ decoder

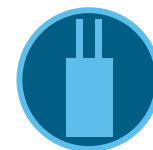
Compatible with:



**Solar Sync Sensor**  
Page 136



**ROAM Remote**  
Page 127  
**ROAM XL Remote**  
Page 128



**EZ Decoder System**  
Page 124



**EPA WaterSense**  
Add the WaterSense-labeled Solar Sync sensor to improve the water efficiency of this controller.



# 1½" & 2" PGV

These reliable valves provide long-lasting performance for larger systems.

## KEY BENEFITS

- External/internal manual bleed allows for quick and easy activation at the valve
- Double-beaded diaphragm seal design ensures leak-free performance
- Captive bonnet screws eliminate the possibility of lost parts during disassembly
- Triple-tool bonnet screws are compatible with standard or Phillips screwdrivers as well as a nut driver
- Each valve available with globe or angle configuration for convenient placement
- Encapsulated solenoid with captive plunger used on every Hunter valve provides hassle-free service
- Flow control maximizes efficiency and prolongs the life of the system

## USER-INSTALLED OPTIONS

- Accu Sync® pressure regulation at the valve\*
- DC-latching solenoid for battery-powered controllers (P/N 458200)
- Solenoid conduit cover (P/N 464322)
- Reclaimed flow control handle (P/N 607105)

## FACTORY-INSTALLED OPTIONS

- LS: Valve without solenoid
- DC: DC-latching solenoid for battery-powered controllers

## OPERATING SPECIFICATIONS

- Flow:
  - PGV-151: 20 to 120 GPM
  - PGV-201: 20 to 150 GPM
- Recommended pressure range: 20 to 150 PSI
- Temperature rating: 150°F
- Warranty period: 2 years

## SOLENOID SPECIFICATIONS

- 24 VAC solenoid
  - 350 mA inrush, 190 mA holding, 60 Hz
  - 370 mA inrush, 210 mA holding, 50 Hz

\* Accu Sync product information on **page 83**

PGV 1½" & 2"	
Model	Description
PGV-151	1½" globe/angle valve with flow control
PGV-151-DC	1½" globe/angle valve with DC-latching solenoid
PGV-151-LS	1½" globe/angle valve less solenoid
PGV-201	2" globe/angle valve with flow control
PGV-201-DC	2" globe/angle valve with DC-latching solenoid
PGV-201-LS	2" globe/angle valve less solenoid



**PGV-151**  
 Inlet diameter: 1½"  
 Height: 7½"  
 Length: 5¾"  
 Width: 4½"

**PGV-201**  
 Inlet diameter: 2"  
 Height: 8"  
 Length: 6¾"  
 Width: 5¼"

VALVES

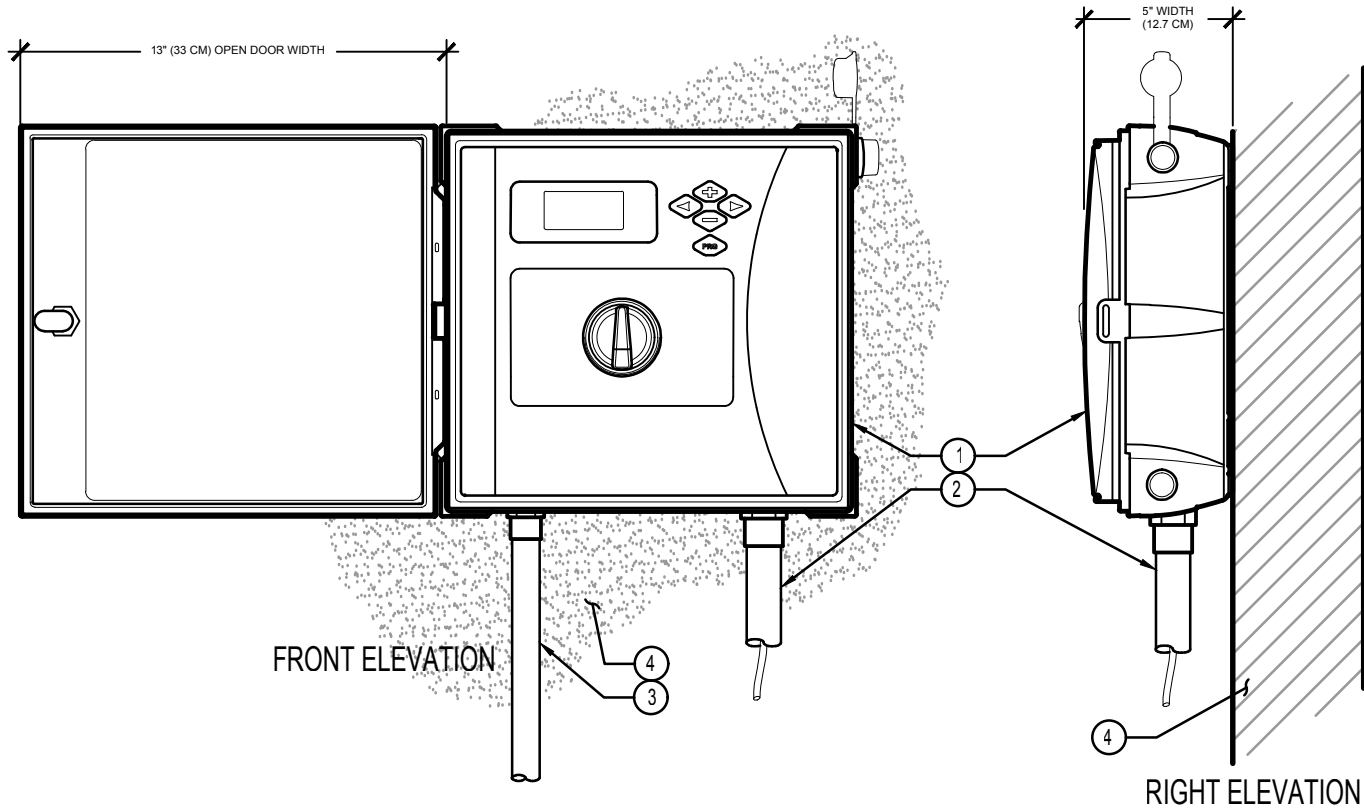
PGV Installed



PGV PRESSURE LOSS IN PSI

Flow GPM	1½" Globe	1½" Angle	2" Globe	2" Angle
20	3	3	1	1
30	3	3	1	2
35	3	3	2	2
40	3	3	2	2
50	4	3.5	1	1
60	5	4	2	2
80	5.5	4.5	3	2
100	9	8	5	3
120	11.5	10.5	6	5
135			8	7
150			10	9

Addendum 1 - Attachment



LEGEND:

- ① IRRIGATION CONTROLLER (I2C-800-PL) PER PLAN
- ② IRRIGATION CONTROL WIRE IN CONDUIT  
SIZE AND TYPE PER LOCAL CODES
- ③ ELECTRICAL SUPPLY CONDUIT  
CONNECT TO POWER SOURCE, J-BOX INSIDE  
CONTROLLER
- ④ ADJACENT SURFACE TO MOUNT CONTROLLER PER PLAN

NOTE  
MOUNT CONTROLLER LCD SCREEN AT EYE LEVEL,  
CONTROLLER SHALL BE HARD-WIRED TO GROUNDED  
110 VAC POWER SOURCE

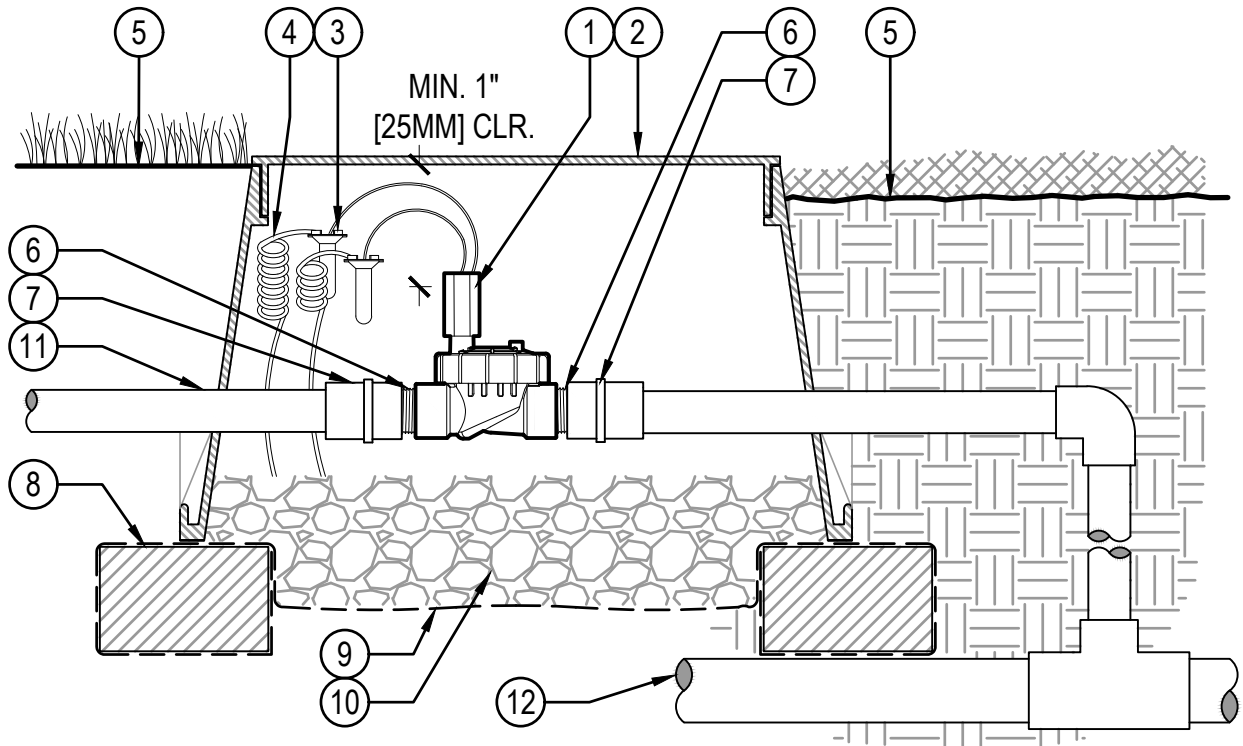
XX IRRIGATION CONTROLLER (I2C-800-PL)  
Hunter C.ICC2.01

NOT TO SCALE



## LEGEND

- |   |  |
|---|--|
| ① HUNTER REMOTE CONTROL VALVE (PGV)                             | ⑦ PVC SLIP X FPT ADAPTOR                           |
| ② IRRIGATION VALVE BOX: HEAT STAMP LID WITH 'RCV' IN 2" LETTERS | ⑧ BRICK SUPPORTS (4)                               |
| ③ WATERPROOF CONNECTORS (2)                                     | ⑨ FILTER FABRIC - WRAP TWICE AROUND BRICK SUPPORTS |
| ④ 18"-24" COILED WIRE TO CONTROLLER                             | ⑩ 3/4" WASHED GRAVEL - 4" MIN. DEPTH               |
| ⑤ FINISH GRADE AT ADJACENT SURFACE (TURF OR MULCH)              | ⑪ IRRIGATION LATERAL                               |
| ⑥ SCH. 80 CLOSE NIPPLE, MATCH SIZE TO VALVE                     | ⑫ MAINLINE AND FITTINGS                            |



## IN-LINE VALVE (PGV-101G)

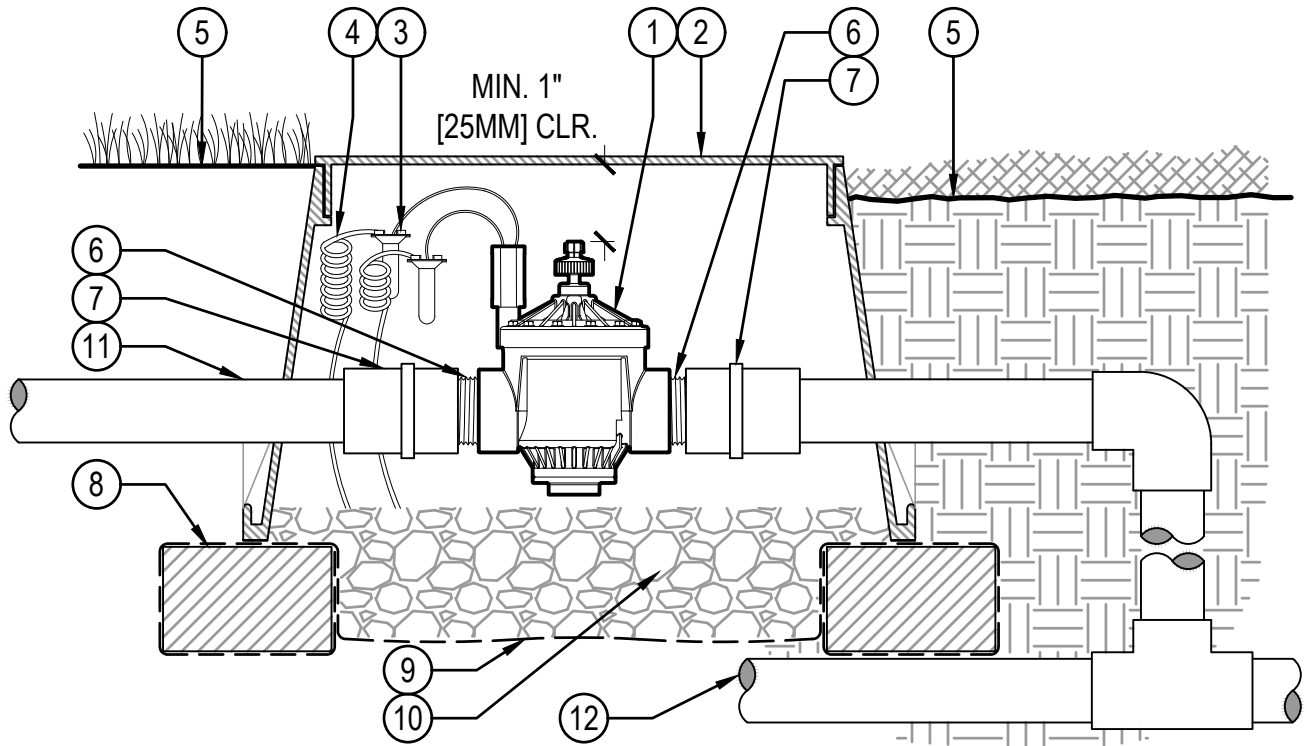
Hunter® V.PGV.05

NO SCALE



## LEGEND

- |   |  |
|---|--|
| ① HUNTER REMOTE CONTROL VALVE (PGV) WITH FLOW CONTROL           | ⑦ PVC SLIP X FPT ADAPTOR                           |
| ② IRRIGATION VALVE BOX: HEAT STAMP LID WITH 'RCV' IN 2" LETTERS | ⑧ BRICK SUPPORTS (4)                               |
| ③ WATERPROOF CONNECTORS (2)                                     | ⑨ FILTER FABRIC - WRAP TWICE AROUND BRICK SUPPORTS |
| ④ 18"-24" COILED WIRE TO CONTROLLER                             | ⑩ 3/4" WASHED GRAVEL - 4" MIN. DEPTH               |
| ⑤ FINISH GRADE AT ADJACENT SURFACE (TURF OR MULCH)              | ⑪ IRRIGATION LATERAL                               |
| ⑥ SCH. 80 CLOSE NIPPLE, SIZE PER RCV                            | ⑫ MAINLINE AND FITTINGS                            |



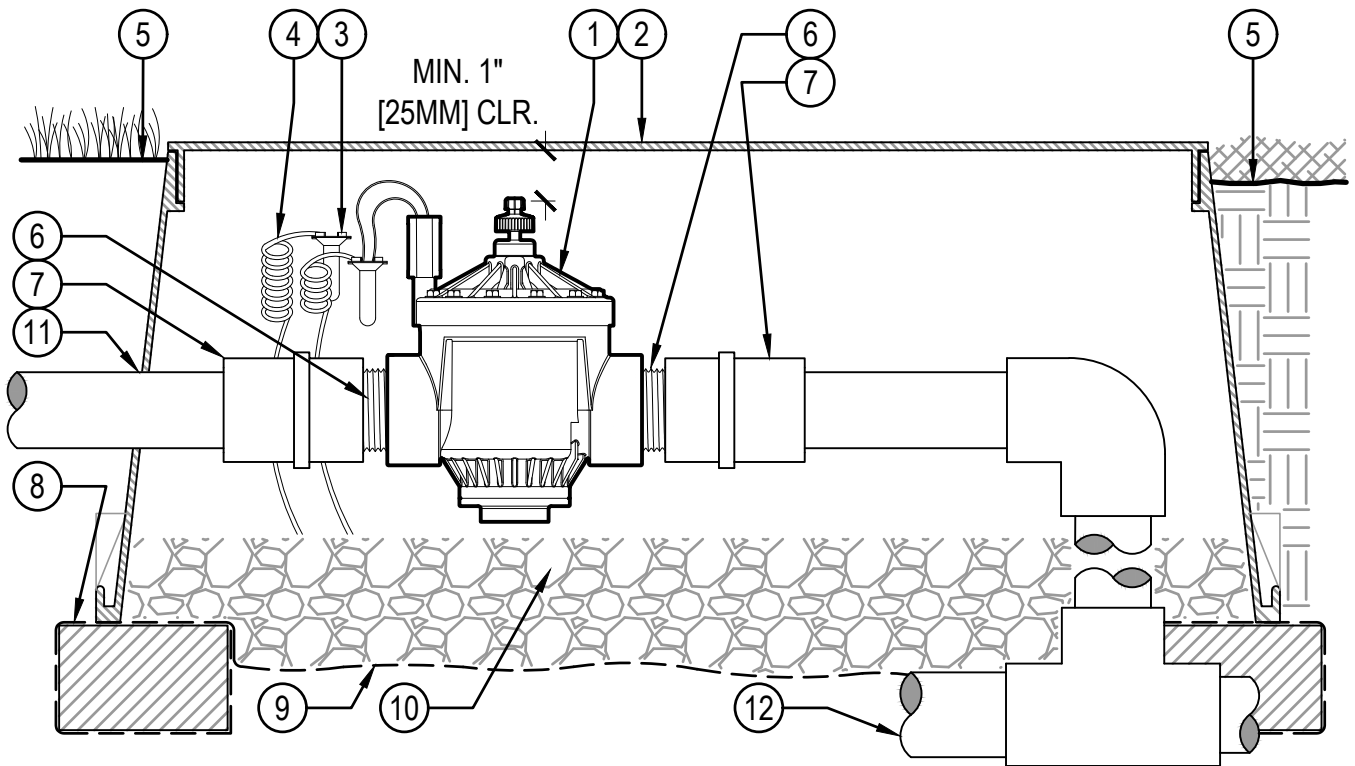
## IN-LINE VALVE (PGV-151)

Hunter® V.PGV.29

NO SCALE

## LEGEND

- |   |  |
|---|--|
| ① HUNTER REMOTE CONTROL VALVE (PGV) WITH FLOW CONTROL           | ⑦ PVC SLIP X FPT ADAPTOR                           |
| ② IRRIGATION VALVE BOX: HEAT STAMP LID WITH 'RCV' IN 2" LETTERS | ⑧ BRICK SUPPORTS (4)                               |
| ③ WATERPROOF CONNECTORS (2)                                     | ⑨ FILTER FABRIC - WRAP TWICE AROUND BRICK SUPPORTS |
| ④ 18"-24" COILED WIRE TO CONTROLLER                             | ⑩ 3/4" WASHED GRAVEL - 4" MIN. DEPTH               |
| ⑤ FINISH GRADE AT ADJACENT SURFACE (TURF OR MULCH)              | ⑪ IRRIGATION LATERAL                               |
| ⑥ SCH. 80 CLOSE NIPPLE, SIZE PER RCV                            | ⑫ MAINLINE AND FITTINGS                            |



## IN-LINE VALVE (PGV-201)

Hunter® V.PGV.33

NO SCALE



## Product Specifications

---

### K-Rain RPS75 Gear Drive Rotor

Model # RPS75, RPS75-RCW, RPS75-CV

### Professional Series Sprinkler

The sprinkler shall be of the gear-driven, rotary type, capable of covering a 22-52 foot (6.7–15.8 meter) radius at 30–70 PSI (2.1 bar/210 kPa–4.8 bar/480 kPa) with a discharge rate of .06-.50 inches (.15-1.3 cm) per hour. The sprinkler shall be available with eight (8) nozzles with a trajectory of 25° discharging from .5 to 8.2 GPM (1.8–31.0 l/m) , and four (4) low-angle nozzles with a trajectory of 11° discharging from 1.2 to 8.6 GPM (4.5–32.5 l/m). The sprinkler shall have radius adjustment capabilities by means of a stainless-steel nozzle retainer/radius adjustment screw.

The sprinkler shall be available in an adjustable part-circle configuration. The adjustable part circle unit shall be minutely adjustable from 40° to 360°. The adjustable unit shall be adjustable in all phases of installation (i.e., before installation, after installation while static, and after installation while in operation).

The sprinkler shall have a minimum of 4-inch (10.1 cm) pop-up stroke to bring the rotating nozzle turret into a clean environment. The sprinkler may be equipped with an optional drain check valve (RPS75-CV) to prevent low head drainage, and be capable of checking up to 10 feet (3 m) in elevation change.

The sprinkler shall have a rubber cover firmly attached to the top of the turret. When specified, the sprinkler shall have a molded purple rubber cover to indicate the use of reclaimed water (RPS75-RCW). The sprinkler shall have an exposed surface diameter after installation of 1-3/4 inches (4.4 cm) and have an overall height of 7-3/8 inches (18.7 cm). The unit shall have a 3/4-inch Female National Pipe Thread (FNPT) inlet. The sprinkler shall be serviceable after installation by unscrewing the body cap, removing the riser assembly, and extracting the inlet filter basket.

The body and riser of the sprinkler shall be constructed of corrosion resistant, impact resistant, heavy duty ABS. It shall have a stainless steel spring for positive retraction of the riser when irrigation is complete. The sprinkler shall carry a five-year trade, exchange warranty.

The sprinkler shall be manufactured by K-Rain Manufacturing Corporation of Riviera Beach, Florida an ISO 9001:2000 Certified Company.

# RPS 75™ ROTOR SERIES

Addendum 1 - Attachment



The RPS 75® Series of rotors are designed to fulfill a multitude of residential and commercial applications.

■ **Choose from these models:**

RPS 75	40° - 360°, 4" riser
RPS 75-SH	40° - 360°, 4" riser, shrub head
RPS 75-SS	40° - 360°, 4" riser, stainless steel
RPS 75-360°	Continuous 360°, 4" riser
RPS 75-360°-SH	Continuous 360°, 4" riser, shrub head
RPS 75-6INCH	40° - 360°, 6" riser

- **Customizable** – add your company name, logo, phone number or website to the head art!
- **Top adjustment** – no training necessary.
- **Non-flushing wiper seal** – reduces leaks caused by debris trapped under seal.
- **3/4" Inlet** – replaces all standard rotors.
- **Ideal for low flow applications.**
- **Rubber cover** – Seals out dirt and increases product durability.
- **Right position start**
- **Wide selection of nozzles** – Including standard and low angle, provides flexibility in system design.
- **Direct replacement for Hunter® PGP®.**



**K-Rain Manufacturing Corp.**  
1640 Australian Avenue  
Riviera Beach, FL 33404 USA  
561.844.1002  
FAX: 561.842.9493  
**1.800.735.7246 | www.krain.com**



# RPS® 75 Rotor Series

## Addendum 1 - Attachment Performance Data

The reliable and durable design of the RPS® 75 has unequalled value in the market today. Building on a reputation of trouble-free performance year after year, K-Rain has introduced the Continuous 360° and the 6-INCH models to satisfy specific irrigation requirements.

The Continuous 360° is the perfect fit for a central location in an RPS® 75 based irrigation system. With rotors that are not continuous 360°, there is a portion of the pattern which receives too much water distribution, resulting in uneven coverage and damaging the health of the lawn. The RPS® 75-360° solves this problem.

The RPS® 75-6INCH rotor solves the problem of deep thatch, often occurring in St. Augustine and other types of turf grass. The 6" pop-up exceeds the height of the grass and the spray is not inhibited, resulting in even water distribution.

### Customization

Easily customize any of the RPS® 75 rotors and promote your business! Customization also helps to prevent vandalism at institutions and municipalities. Contact your K-Rain authorized distributor or visit [www.krain.com/custom-rotor-program](http://www.krain.com/custom-rotor-program) for all of the details.



### Specifications

- Inlet: 3/4" Threaded NPT
- Arc Adjustment Range: Continuous 360°
- Flow Range: .75 – 8.3 GPM
- Pressure Rating: 30 – 70 PSI
- Precipitation Rate: .16 – .99 in. per hr.
- Overall Height (Popped Down): 7 3/8"
- Recommended Spacing: 25' – 45'
- Radius: 22' – 51'
- Nozzle Trajectory: 25°
- Low Angle Nozzle Trajectory: 11°
- 8 Standard & 4 Low Angle Nozzles Included
- Riser Height:
  - RPS 75: 4"
  - RPS 75-360°: 4"
  - RPS 75-6INCH: 6"

NOZZLE	PRESSURE			RADIUS		FLOW RATE			PRECIP in/hr mm/hr			
	PSI	kPa	Bars	Ft.	M.	GPM	L/M	M <sup>3</sup> /H	■	▲	■	▲
#0.75	30	206	2.1	29	8.8	0.7	2.6	0.16	0.16	0.19	4	5
	40	275	2.8	30	9.1	0.8	3.0	0.18	0.17	0.20	4	5
	50	344	3.4	30	9.1	0.9	3.4	0.20	0.19	0.22	5	6
	60	413	4.1	31	9.4	1.0	3.8	0.23	0.20	0.23	5	6
#1.0	30	206	2.1	30	9.1	0.9	3.4	0.20	0.19	0.22	5	6
	40	275	2.8	31	9.4	1.0	3.8	0.23	0.20	0.23	5	6
	50	344	3.4	31	9.4	1.2	4.5	0.27	0.24	0.28	6	7
	60	413	4.1	32	9.8	1.3	4.9	0.30	0.24	0.28	6	7
#1.5	30	206	2.1	32	9.8	1.2	4.5	0.27	0.23	0.26	5	6
	40	275	2.8	33	10.1	1.4	5.3	0.32	0.25	0.29	6	7
	50	344	3.4	34	10.4	1.6	6.1	0.36	0.27	0.31	7	8
	60	413	4.1	34	10.4	1.8	6.8	0.41	0.30	0.35	7	9
#2.0	30	206	2.1	34	10.4	1.6	6.1	0.36	0.27	0.31	7	8
	40	275	2.8	36	11.0	1.8	6.8	0.41	0.27	0.31	7	8
	50	344	3.4	38	11.6	2.0	7.6	0.45	0.27	0.31	7	8
	60	413	4.1	38	11.6	2.2	8.3	0.50	0.29	0.34	7	9
#3.0	30	206	2.1	36	11.0	2.0	7.6	0.45	0.30	0.34	7	9
	40	275	2.8	38	11.6	2.4	9.1	0.55	0.32	0.37	8	9
	50	344	3.4	40	12.2	2.7	10.2	0.61	0.32	0.38	8	10
	60	413	4.1	40	12.2	2.9	11.0	0.66	0.35	0.40	9	10
#4.0	30	206	2.1	36	11.0	2.6	9.8	0.59	0.39	0.45	10	11
	40	275	2.8	40	12.2	3.0	11.4	0.68	0.36	0.42	9	11
	50	344	3.4	42	12.8	3.4	12.9	0.77	0.37	0.43	9	11
	60	413	4.1	42	12.8	3.7	14.0	0.84	0.40	0.47	9	12
#6.0	40	275	2.8	38	11.6	4.2	15.9	0.91	0.56	0.65	14	16
	50	344	3.4	43	13.1	4.9	18.5	1.11	0.51	0.59	13	15
	60	413	4.1	46	14.0	5.5	20.8	1.25	0.50	0.58	13	15
	70	482	4.8	47	14.3	6.0	22.7	1.36	0.52	0.60	13	15
#8.0	40	275	2.8	45	13.7	6.0	22.7	1.36	0.57	0.66	14	17
	50	344	3.4	48	14.6	6.8	25.7	1.54	0.57	0.66	14	17
	60	413	4.1	49	14.9	7.6	28.8	1.73	0.61	0.70	15	18
	70	482	4.8	51	15.5	8.2	31.0	1.86	0.61	0.70	15	18

### Low Angle Performance Data

NOZZLE	PRESSURE			RADIUS		FLOW RATE			PRECIP in/hr mm/hr			
	PSI	kPa	Bars	Ft.	M.	GPM	L/M	M <sup>3</sup> /H	■	▲	■	▲
#1.0	30	207	2.0	22	6.7	1.2	4.5	.34	0.48	0.55	12	14
	40	275	3.0	24	7.3	1.7	6.4	.39	0.57	0.66	14	17
	50	344	3.5	26	7.9	1.8	6.8	.41	0.51	0.59	13	15
	60	413	4.0	28	8.5	2.0	7.6	.46	0.49	0.57	13	14
#3.0	30	207	2.0	29	8.8	3.0	11.4	.68	0.69	0.79	18	20
	40	275	3.0	32	9.8	3.1	11.7	.71	0.58	0.67	15	17
	50	344	3.5	35	10.7	3.5	13.2	.80	0.55	0.64	14	16
	60	413	4.0	37	11.3	3.8	14.4	.87	0.53	0.62	13	16
#4.0	30	207	2.0	31	9.4	3.4	12.9	.78	0.68	0.79	17	20
	40	275	3.0	34	10.4	3.9	14.8	.89	0.65	0.75	16	19
	50	344	3.5	37	11.3	4.4	16.7	1.00	0.62	0.71	16	18
	60	413	4.0	38	11.6	4.7	17.8	1.07	0.63	0.72	16	18
#6.0	40	275	3.0	38	11.6	6.5	24.6	1.68	0.87	1.00	22	25
	50	344	3.5	40	12.2	7.3	27.6	1.66	0.88	1.01	22	25
	60	413	4.0	42	12.8	8.0	30.3	1.82	0.87	1.01	22	26
	70	482	5.0	44	13.4	8.3	32.6	1.96	0.86	0.99	22	25

\*All precipitation rates calculated for 180° operation. For the precipitation rate for a 360° sprinkler, divide by 2.

### Models

- RPS 75** 40° - 360°, 4" riser
- RPS 75-SH** 40° - 360°, 4" riser, shrub head
- RPS 75-SS** 40° - 360°, 4" riser, stainless steel
- RPS 75-360°** Continuous 360°, 4" riser
- RPS 75-360°-SH** Continuous 360°, 4" riser, shrub head
- RPS 75-6INCH** 40° - 360°, 6" riser

#### OTHER OPTIONS ADD TO PART NUMBER:

- CV** Check Valve
- NN** No Nozzle
- RCW** Reclaimed Water Use

Example: RPS 75-360-RCW

