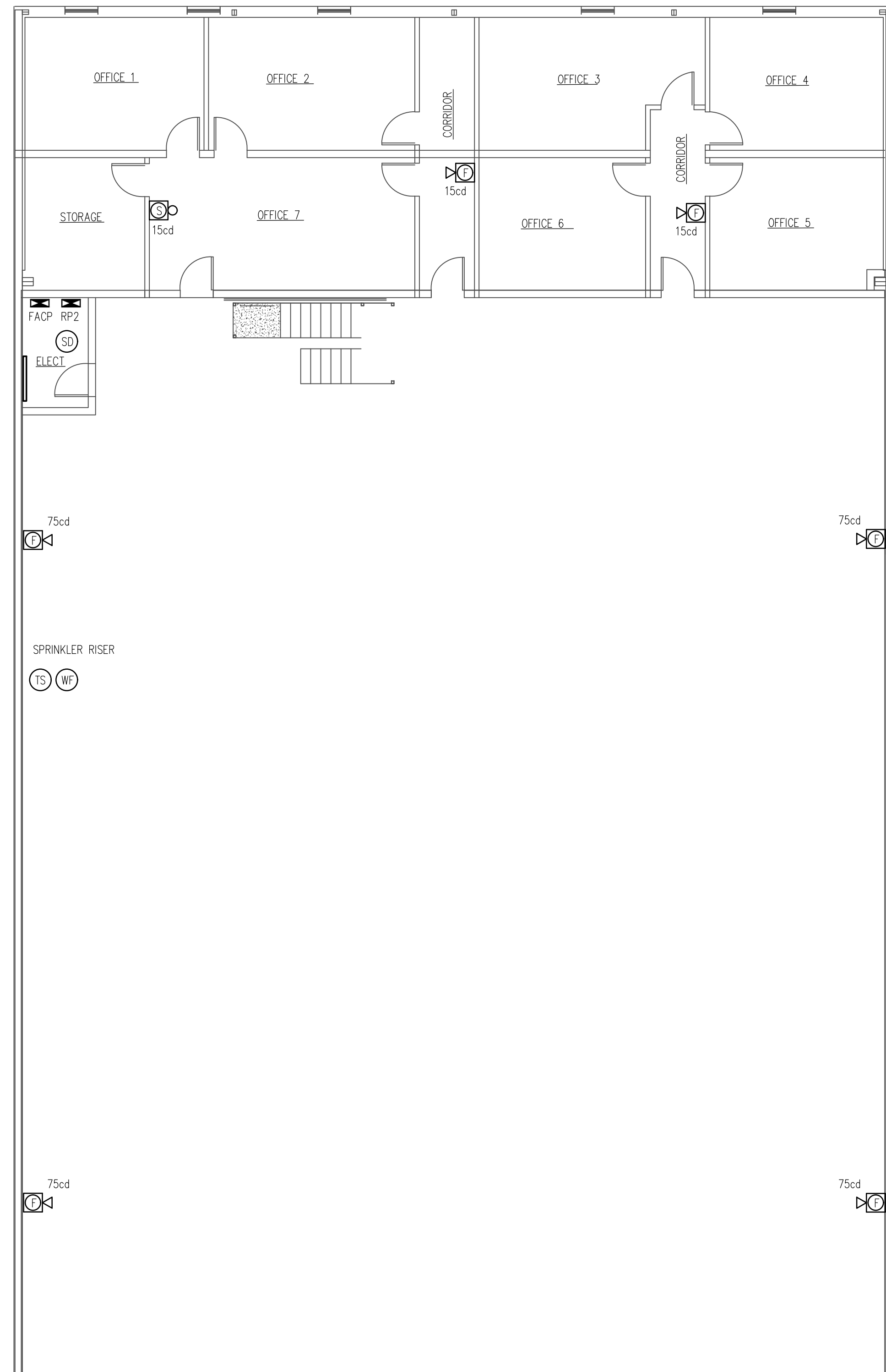
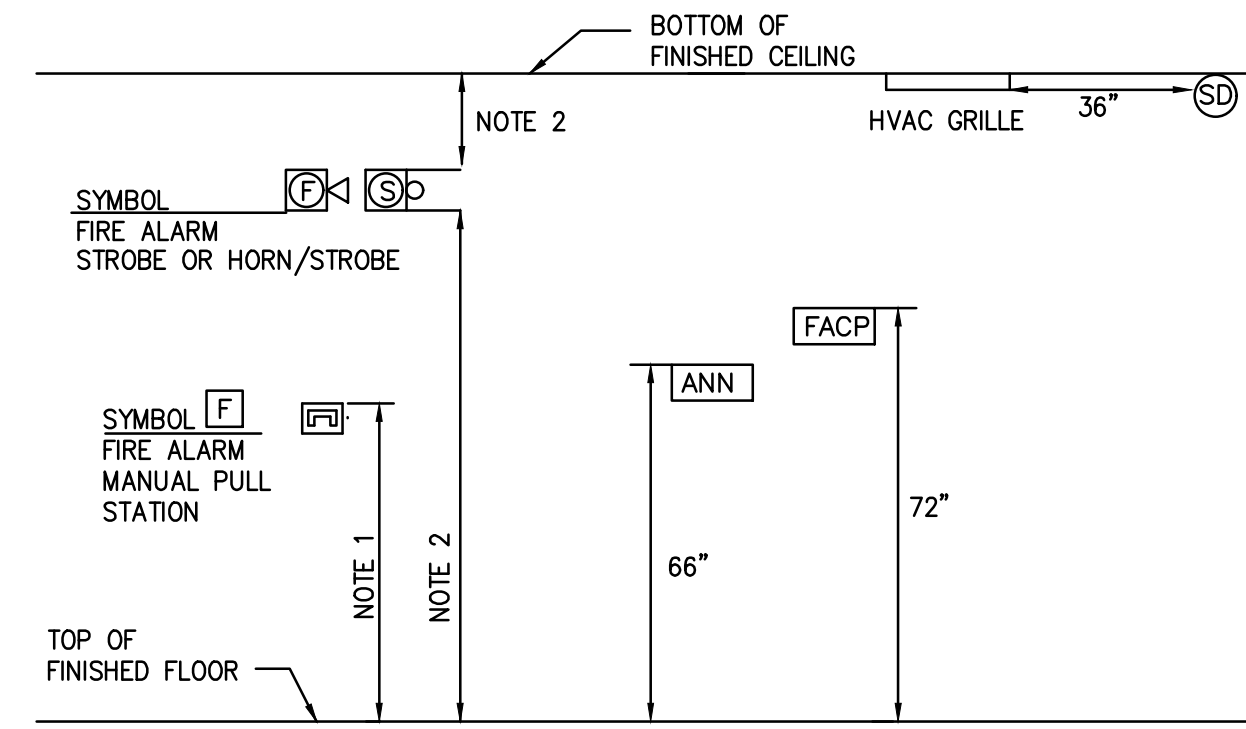


This drawing is the property of Matrix Engineering, Inc., and is not to be reproduced or copied in whole or in part. It is only to be used for the project and site specifically identified herein and is not to be used on any other project. It is to be returned upon request.



LOWER LEVEL FIRE ALARM PLAN
SCALE: 1/8" = 1'-0"

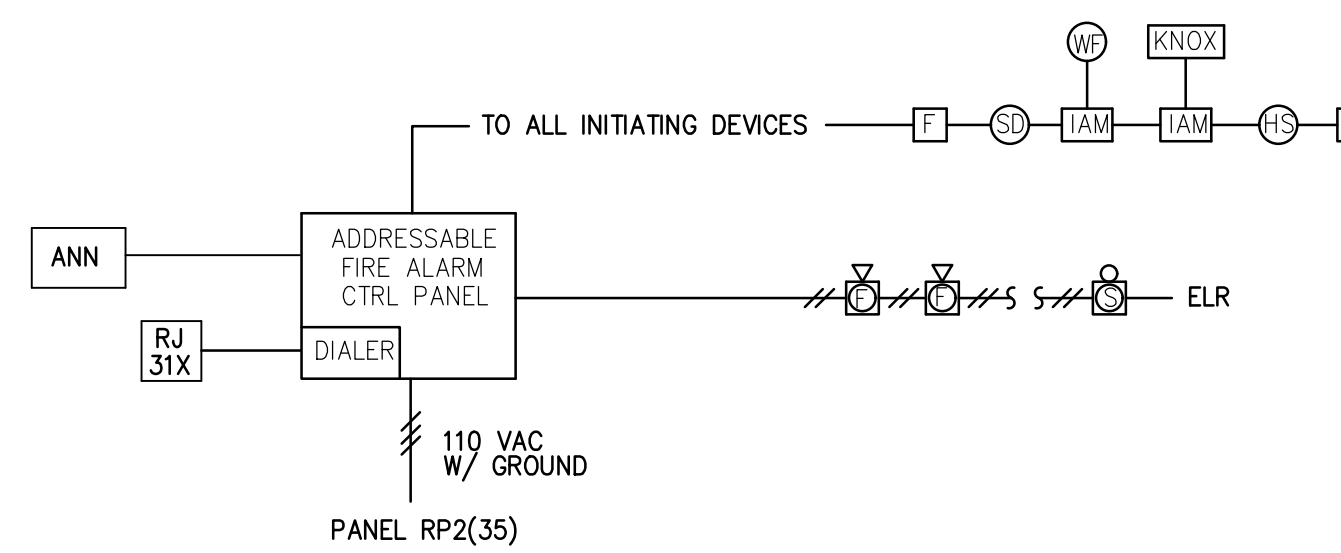


TYPICAL DEVICE MOUNTING HEIGHT
SCALE: NONE

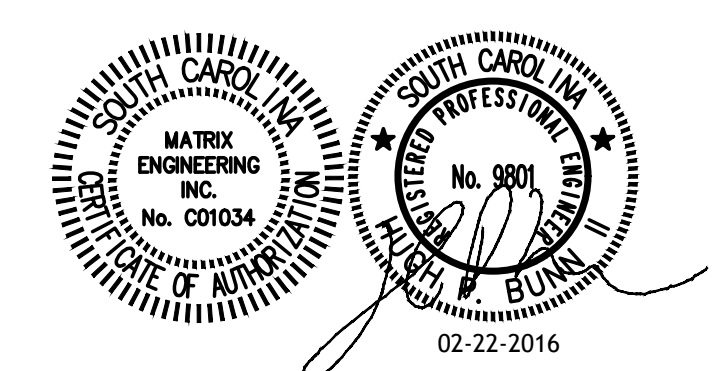
- MOUNTING NOTES:
1. MOUNT PULL STATION AT 4'-0" AFF TO TOP OF BOX.
 2. MOUNT STROBE OR VOICE/STROBE COMBINATION AT LEAST 80" AFF AND NOT MORE THAN 96" AFF. MOUNT DEVICE AT LEAST 6" DOWN FROM CEILING.
 3. MOUNTING HEIGHTS OF ELECTRICAL DEVICES TO MEET NFPA 72 AND ADA CODE REQUIREMENTS.

FIRE ALARM LEGEND	
(SD)	SMOKE DETECTOR
(D)	DUCT DETECTOR
(HS)	HEAT SENSOR
(WF)	WATER FLOW SWITCH
(TS)	TAMPER SWITCH
(Horn/Strobe)	FIRE ALARM SYSTEM HORN/STROBE UNIT
(Strobe)	FIRE ALARM SYSTEM STROBE UNIT
(F)	FIRE ALARM MANUAL PULL STATION
(IAM)	INDIVIDUAL ADDRESSABLE MODULE
(FACP)	MAIN FIRE ALARM CONTROL PANEL
(KNOX)	KNOX BOX
(ANN)	REMOTE ANNUNCIATOR
cd	ADJACENT TO DEVICE DENOTES CANDELA
WP	ADJACENT TO DEVICE DENOTES WEATHERPROOF

- GENERAL NOTES:
1. THIS PROJECT SHALL COMPLY WITH ALL APPLICABLE STATE AND LOCAL CODE REQUIREMENTS.
 2. THIS FACILITY IS EQUIPPED WITH A SPRINKLER FIRE PROTECTION SYSTEM.
 3. MOUNT SMOKE DETECTOR WITHIN 5 FEET OF FIRE ALARM CONTROL PANEL.
 4. ALL FIRE ALARM SYSTEM WIRING SHALL BE ROUTED IN TYPE EMT CONDUIT. ELECTRICAL CONTRACTOR TO IDENTIFY FIRE ALARM CONDUIT AND JUNCTION BOXES. PAINT JUNCTION BOX COVERS RED. PAINT IDENTIFIABLE RED STRIPE ON CONDUIT A MINIMUM OF EVERY 10 FEET.
 5. MANUAL PULLS SHALL BE MOUNTED WITHIN 5 FEET OF WHERE PRESSURE IS APPLIED TO OPEN EXTERIOR DOORS.
 6. ALL STROBE LIGHTS TO SYNCHRONIZED.
 7. FIRE ALARM CONTRACTOR TO COORDINATE MOUNTING OF DEVICES WITH LIGHT FIXTURES, AUDIO SPEAKERS, MECHANICAL VENTS, AND ALL OTHER CEILING MOUNTED EQUIPMENT SUCH THAT NO EXISTING COMPONENTS BLOCK THE VIEW OF THE STROBES.
 8. CIRCUIT BREAKER PROVIDING 120 VOLT POWER TO FACP OR NAC PANEL SHALL HAVE LOCKING DEVICE AND BE RED IN COLOR.
 9. FIRE ALARM CONTRACTOR TO COORDINATE LOCATIONS FOR KNOX BOX AND ANNUNCIATOR PANEL WITH CITY FIRE MARSHAL.



TYPICAL FIRE ALARM RISER



TRANSFER STATION RENOVATION ADDRESS SPARTANBURG, S.C. FOR CITY OF SPARTANBURG		DATE 02/22/16	DESCRIPTION ISSUED FOR PERMITTING AND CONSTRUCTION	MRM DWN	SLS CKD	HFB APP
MATRIX ENGINEERING, INC. 912 SOUTH PINE STREET SPARTANBURG, SOUTH CAROLINA (864)583-8274 www.matrixinc.com		29302 (864)583-2795		LOWER LEVEL FIRE ALARM PLAN		
SCALE: AS NOTED		DWG NO: E-4.0		DATE: 08-10-15		PROJECT NO: 2015-088
FILE NAME: E-4.0		REV: 0		PROJECT NO: 2015-088		REV: 0