



ROBERT G. CAMPBELL & ASSOCIATES, L.P.

7523 Taggart Lane
Knoxville, TN 37938
(865) 947-5996
Fax (865) 947-7556

2540 Sand Pike Blvd., Suite 3
Pigeon Forge, TN 37863
(865) 366-2516
Fax (865) 947-7556

ADDENDUM #2

ISSUED SEPTEMBER 17, 2020 FOR BIDDERS OF

**MARLOW CONVENIENCE CENTER
RGCA PROJECT NO. 19701
BID NO. 2103**

The purpose of the subject Addendum No. 2 is to: A) Provide updated contract documents, B) Provide answers to questions that have been asked, and C) reschedule the date for opening of bids

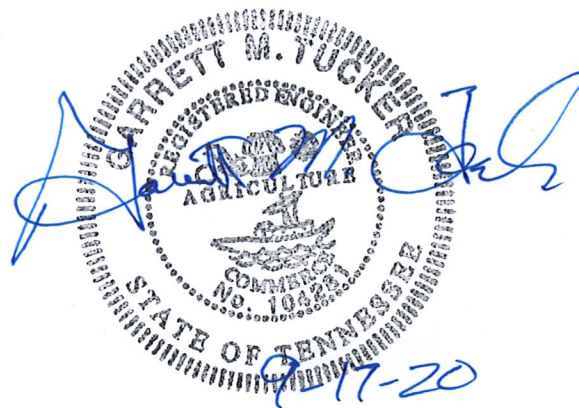
CONTRACT DOCUMENTS

1. Revised Page 1 of C-520 Agreement between Owner and Contractor
A request was made to increase the contract time from 60 days to 90 days for substantial completion. The number of days has been increased. The convenience center operations will be temporarily moved to the parking lot at the corner of Ford Road and Oliver Springs Hwy during construction. For convenience to the public, the time for this temporary operation should be kept to a minimum. For this reason, it is highly encouraged and requested that every effort be made to end the temporary setup by December 18, 2020.
2. Revised Page 3 of C-410 Bid Form
3. Revised Page 10 of C-800 Supplemental Conditions
4. Revised Plan Sheets 3, 4, & 7
5. Revised Bid Opening Date to Tuesday, September 29, 2020 at 10:00 am

QUESTIONS

- 1) What is the compactor pad thickness? (Sections show 7 and 8 inches.) *The compactor pad thickness is to be 8 inches.*
- 2) Does sawcut item pay for all cutting? Ie., electrical trenches, cuts for storm and sewer install and compactor pads. *Yes, the sawcut is for removal of existing concrete for installation of storm, utilities, and compactor pads.*

- 3) Specs refer to a geotechnical report. Will you provide it? *A geotechnical study has not been done, see revised page from Supplementary Conditions.*
- 4) If unsuitable soils are encountered, is removal and replacement incidental? *Grading and undercutting are expected to be minor incidental work. Anticipated costs should be included in the appropriate unit prices. Final grading and topsoil are to be included in unit price for minor seeding and stabilization around the edges of the site.*
- 5) Is concrete that will be require replacement for storm, sewer and electrical installation paid for under new concrete item. *Yes, this square footage is included in the quantity for new concrete.*
- 6) What other water quality unit can be used in lieu of the Aqua-Swirl AS-2? *Hydro International FDHC GA, or other equivalent structures may be used. A typical detail is attached.*
- 7) Please provide detail of the dowel on 15 foot centers required by the special provisions. *See detail on revised Plan Sheet 7*
- 8) The extruded curb detail doesn't quite match the overlay thickness. Does it need modified? *See revised curb detail.*



END OF ADDENDUM

AGREEMENT
BETWEEN OWNER AND CONTRACTOR
FOR CONSTRUCTION CONTRACT (STIPULATED PRICE)

THIS AGREEMENT is by and between Anderson County (“Owner”) and _____ (“Contractor”).

Owner and Contractor hereby agree as follows:

ARTICLE 1 – WORK

1.01 Contractor shall complete all Work as specified or indicated in the Contract Documents. The Work is generally described as follows:

ARTICLE 2 – THE PROJECT

2.01 The Project, of which the Work under the Contract Documents is a part, is generally described as follows: Marlow Convenience Center

ARTICLE 3 – ENGINEER

3.01 The Project has been designed by Robert G. Campbell & Associates, L.P.

3.02 The Owner has retained Robert G. Campbell & Associates, L.P. (“Engineer”) to act as Owner’s representative, assume all duties and responsibilities, and have the rights and authority assigned to Engineer in the Contract Documents in connection with the completion of the Work in accordance with the Contract Documents.

ARTICLE 4 – CONTRACT TIMES

4.01 *Time of the Essence*

A. All time limits for Milestones, if any, Substantial Completion, and completion and readiness for final payment as stated in the Contract Documents are of the essence of the Contract.

4.02 *Contract Times: Days*

A. The Work will be substantially completed within 90 days after the date when the Contract Times commence to run as provided in Paragraph 4.01 of the General Conditions, and completed and ready for final payment in accordance with Paragraph 15.06 of the General Conditions within 120 days after the date when the Contract Times commence to run.

4.03 *Liquidated Damages*

A. Contractor and Owner recognize that time is of the essence as stated in Paragraph 4.01 above and that Owner will suffer financial and other losses if the Work is not completed and Milestones not achieved within the times specified in Paragraph 4.02 above, plus any extensions thereof allowed in accordance with the Contract. The parties also recognize the delays, expense, and difficulties involved in proving in a legal or arbitration proceeding the actual loss suffered by Owner if the Work is not completed on time. Accordingly, instead of

ARTICLE 5 – BASIS OF BID

5.01 Bidder will complete the Work in accordance with the Contract Documents for the following price(s):

ITEM NO.	EST. QTY.	UNIT	DESCRIPTION	UNIT PRICE	EXTENDED PRICE
105-01	1	LS	Construction Stakes, Lines and Grades		
201-01	1	L.S.	Mobilization		
502-04.01	236	LF	Saw Cutting Existing Concrete / Asphalt		
502-03.13	516	SY	Concrete / Pavement Removal		
209-99.91	1	LS	Erosion Control		
Overlay Ford Road & Entrance (2" Surface Coat)					
411-02.11	85	Tons	ACS Mix (PG64-22) Grading E (2" Thick)		
Widen Entrance & Ford Road (Full Pavement Depth)					
303-01	35	Tons	Mineral Aggregate, Type A Base, Grading D (8" Thick)		
307-01.08	12	Tons	Asphaltic Concrete Mix (PG64-22) (BPMB-HM) (3" Thick)		
411-02.11	8	Tons	ACS Mix (PG64-22) Grading E (2" Thick)		
902-00	1	LS	30' Long 12" Wide 3" Thick Grading E Asphalt Speed Hu		
795-14.07	1	EA	Concrete Vault (1000 Gallon Tank)		
610-10.45	4	EA	Compactor Drains		
607-02.30	5	LF	15" HDPE		
611-01.02	1	EA	Manhole, > 4'-8' Depth		
611.09-02	2	EA	Re-Work Existing Catch Basin		
630-01.16	6	EA	6" Concrete Bollard / Guard Post		
702-01.02	125	LF	Concrete Curb		
730-05.01	1	LS	Electrical Work - Installed Complete		
Two (2) Compactor Pads					
701-02.02	1650	SF	Concrete Compactor Pads (Heavy Duty)		
Overlay Existing Concrete (4")					
701-01.02	4780	SF	4" Concrete Overlay		
New Concrete Area (6" Normal Duty)					
701-02	5190	SF	New Concrete Drive		
707-01.11	460	LF	Chain Link Fence (6 Foot) With Privacy Screening		
707-01.13	3	EA	Gate - Chain Link Fence 6 Foot With Privacy Screening		
713-16.20	1	EA	Sign (Stop)		
713-16.21	1	EA	Sign (Handicap)		
716-99.50	1	LS	Striping / Pavement Markings		
797-05.51	18	LF	6" D.I. Gravity Sewer OFT - 6FT Depth		
202-06.02	1	LS	Relocate Operations Building		
801-01	1	LS	Seeding (With Mulch)		
920-18.05	1	EA	Water Quality Treatment Unit		
611-42.02	1	EA	Area Drain Catch Basin		
793-13.07	50	LF	4" Schedule 40 PVC		
			Total of Unit Price Bid		

Total of Unit Price Bid = \$ _____

make all geotechnical data available. Note that a typical general purpose geotechnical report, usually prepared primarily to assist in the design of the project, often contains not only factual data but also opinions, interpretations, and even speculation regarding the Site's subsurface conditions. **Such a geotechnical report is not suitable to be adopted or identified as a GDR.**

Although it is preferable that a GBR be comprehensive with respect to subsurface conditions, in some cases a GBR will establish baselines for a portion of a project, but will not address all subsurface issues. For example, the GBR may establish baseline subsurface conditions along the route of a pipeline, but be silent with respect to conditions underlying an associated pump building. Also, in some cases a project will involve both subsurface construction as well as building modifications or other tasks unrelated to geotechnical investigations, analysis, or interpretations. The SC/GBR provisions that follow retain certain differing site condition provisions of the General Conditions, in part because these may be needed for situations that are outside the scope of the GBR. As noted previously, these SC/GBR provisions contain locations for (1) identifying known reports and drawings regarding the subsurface conditions (a mandatory obligation), and (2) identifying Technical Data upon whose accuracy Contractor may rely (necessary in some but not all GBR projects, depending on the scope of the GBR and GDR documents).

If a GBR is used, then include the following GBR Supplementary Conditions, and do not use either of the Paragraphs SC-5.03 above:

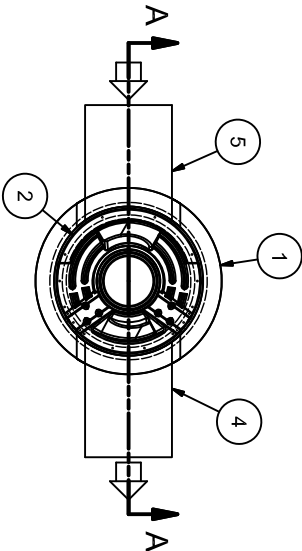
SC/GBR-5.03 and 5.04. Delete Paragraphs 5.03 and 5.04 of the General Conditions in their entireties and replace with the following provisions:

SC/GBR-5.03 Subsurface and Physical Conditions

A. Reports and Drawings: The Supplementary Conditions hereby identify:

1. those reports known to Owner of explorations and tests of subsurface conditions at or adjacent to the Site (other than any Geotechnical Data Report or Geotechnical Baseline Report), and Technical Data contained in such reports. Such reports are as follows:
 - a. N/A – No report available
2. those drawings known to Owner of physical conditions relating to existing surface or subsurface structures at the Site (except Underground Facilities), and Technical Data contained in such drawings. Such drawings are as follows: N/A
 - a. Drawings dated N/A
 - (2) None of the contents of such drawings is Technical Data on whose accuracy Contractor may rely.
3. Contractor may examine copies of reports and drawings identified immediately above that were not included with the Bidding Documents at

N/A



PLAN VIEW

The Water Quality Unit (WQU) shown on the plans has been designed specifically for this project. WQU substitutions should not be allowed unless written approval by the Engineer of Record prior to the Bid. The WQU must be housed in a Precast Concrete Structure, and must meet (at a minimum) the Treated Flow Rate and Bypass Flow Rate shown on this detail.

Flow Rates per City of Knoxville:
 First Flush: 0.51 cfs
 SPAP: 0.85

PRODUCT SPECIFICATION:

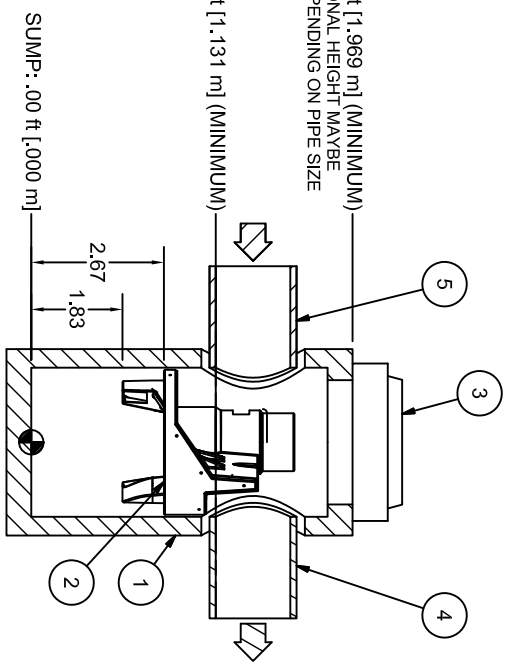
1. PEAK HYDRAULIC FLOW: 15.0 cfs (424 l/s)
2. MIN SEDIMENT STORAGE CAPACITY: 0.4 cu. yd. (0.3 cu. m.)
3. OIL STORAGE CAPACITY: 125 gal. (473 liters)
4. MAXIMUM INLET/OUTLET PIPE DIAMETERS: 18 in. (450 mm)
5. THE TREATMENT SYSTEM SHALL USE AN INDUCED VORTEX TO SEPARATE POLLUTANTS FROM STORMWATER RUNOFF.

PROJECT SPECIFICATIONS:

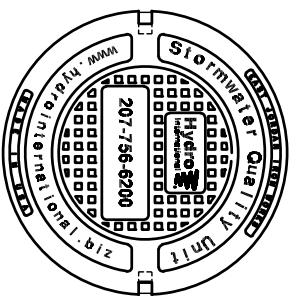
RIM	INVERT	MATERIAL	DIAMETER
OUTLET			
INLET 1			
INLET 2			
INLET 3			

T.O.S.: 6.46 ft [1.969 m] (MINIMUM)
 NOTE: ADDITIONAL HEIGHT MAYBE REQUIRED DEPENDING ON PIPE SIZE

PIPE INVERTS: 3.71 ft [1.131 m] (MINIMUM)



SECTION A-A



HYDRO FRAME AND COVER (INCLUDED) GRADE RINGS BY OTHERS AS REQUIRED

PARTS LIST

ITEM	QTY	SIZE (in)	SIZE (mm)	DESCRIPTION
1	1	36	900	I.D. PRECAST MANHOLE
2	1			INTERNAL COMPONENTS (PRE-INSTALLED)
3	1	30	750	FRAME AND COVER (ROUND)
4	1	18 (MAX)	450 (MAX)	OUTLET PIPE (BY OTHERS)
5	1	18 (MAX)	450 (MAX)	INLET PIPE (BY OTHERS)

ANY WARRANTY GIVEN BY HYDRO INTERNATIONAL WILL APPLY ONLY TO THOSE ITEMS SUPPLIED BY IT. ACCORDING TO HYDRO INTERNATIONAL CANNOT ACCEPT ANY RESPONSIBILITY FOR DAMAGE TO ANYTHING OTHER THAN THE HYDRO FRAME AND COVER. HYDRO INTERNATIONAL HAS THE POLICY OF CONTINUOUS DEVELOPMENT AND RESERVE THE RIGHT TO AMEND THE SPECIFICATION. HYDRO INTERNATIONAL CANNOT ACCEPT LIABILITY FOR PERFORMANCE OF ITS ANY DESIGN SPECIFICATION. HYDRO INTERNATIONAL OWNS THE COPYRIGHT OF THIS DRAWING WHICH IS SUPPLIED IN CONFIDENCE. IT MUST NOT BE USED FOR ANY PURPOSE OTHER THAN THAT FOR WHICH IT WAS SPECIALLY DESIGNED AND SHOULD NOT BE REPRODUCED IN WHOLE OR IN PART. ©2017 HYDRO INTERNATIONAL

PROJECTION

COMMENTS:
 1. MANHOLE WALL AND SLAB THICKNESSES ARE NOT TO SCALE.

2. CONTACT HYDRO INTERNATIONAL FOR A BOTTOM OF STRUCTURE ELEVATION PRIOR TO SETTING FIRST DEFENSE MANHOLE.
3. CONTRACTOR TO CONFIRM RIM, PIPE INVERTS, PIPE DIA. AND PIPE ORIENTATION PRIOR TO RELEASE OF UNIT TO FABRICATION.

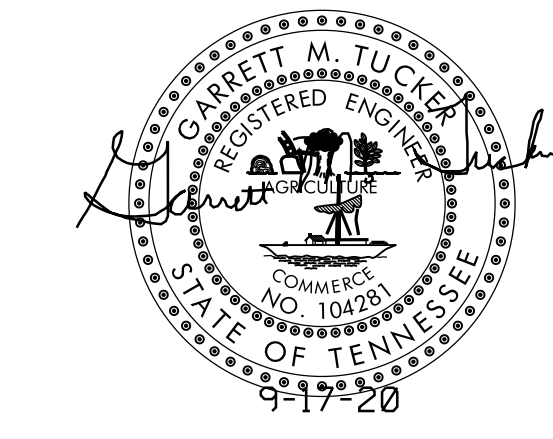
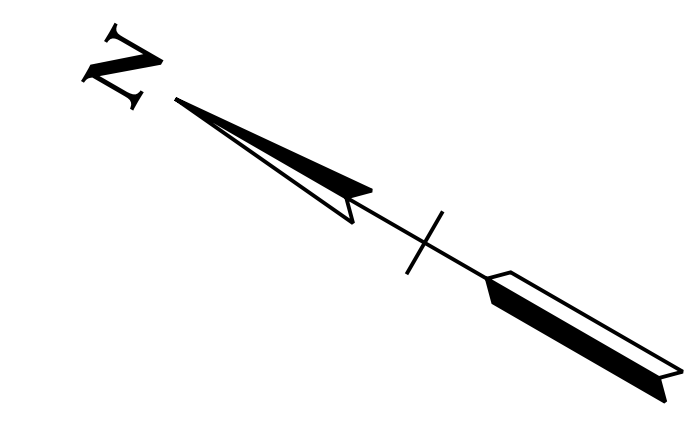
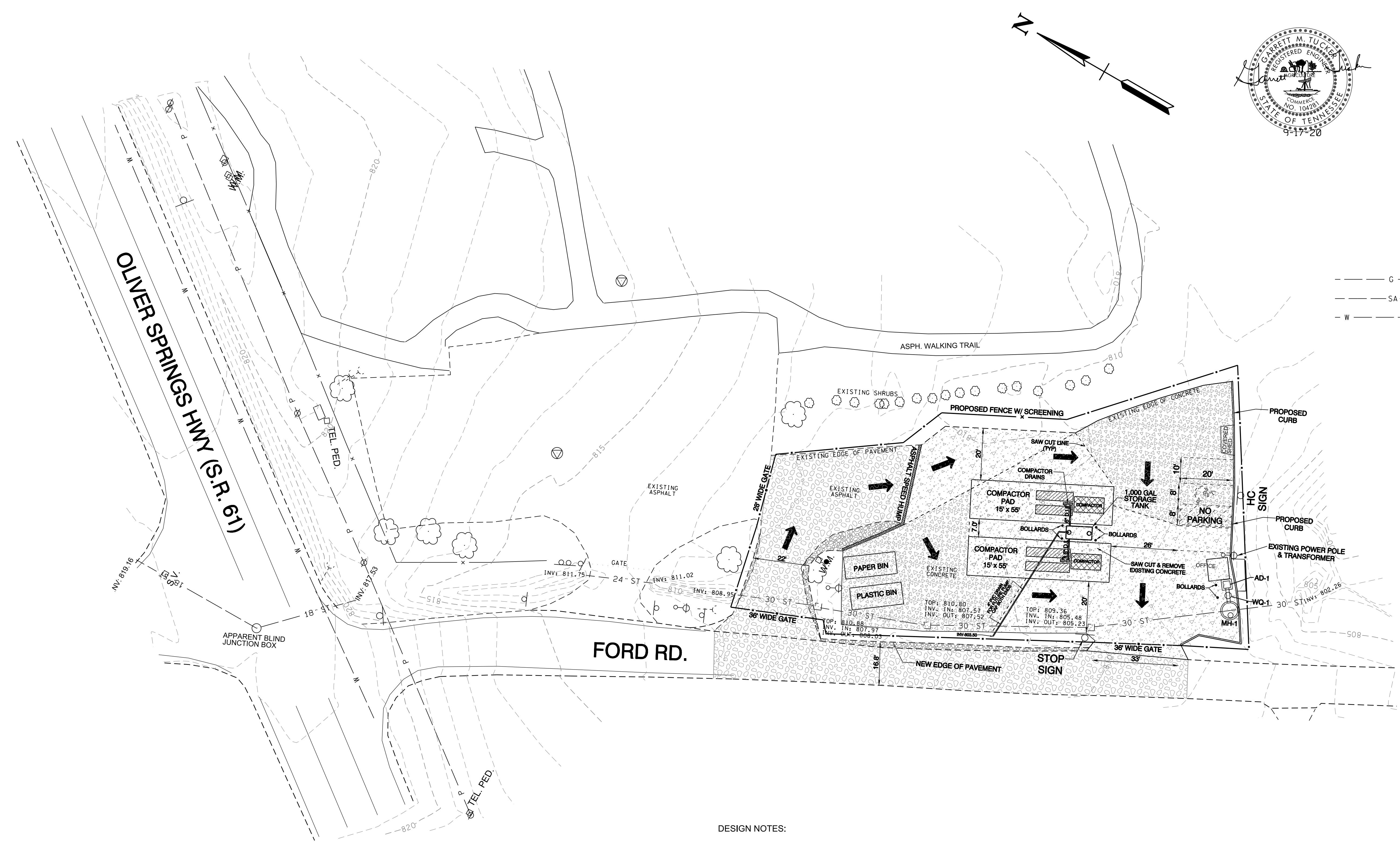
DATE:	4/5/2018	CHECKED BY:	KDO
SCALE:	NTS	APPROVED BY:	MRJ

THIS 36" DIAMETER FIRST DEFENSE HIGH CAPACITY GENERAL ARRANGEMENT

Distributed By:
Superior Drainage Products, Inc.
 865-637-0069

Hydro International
 94 Hutchins Drive
 Portland, ME 04102
 Tel: +1 (207) 756-6200
 Fax: +1 (207) 756-6212
 hydro-int.com

APPROX WEIGHT:	N/A	MATERIAL:	
NEXT ASSEMBLY:			
DRAWING NO.:	-FDHC GA		
SHEET SIZE:	1 OF 1		



LEGEND

○ EIP	IRON PIN FOUND
PIPE ○	PIPE FOUND
□ G.V.	GAS VALVE
□ W.M.	WATER METER
⊙	MANHOLE
⊥	SIGN
□ W.V.	WATER VALVE
⊗	FIRE HYDRANT
⊕ P/T	POWER/TELEPHONE
○	GUY WIRE
---	G --- GAS LINE (TYP)
---	SA --- SANITARY SEWER (TYP)
---	W --- WATER LINE (TYP)

	OVERLAY EXISTING PAVEMENT
	NEW PAVEMENT
	OVERLAY EXISTING CONCRETE
	NEW CONCRETE
	CONCRETE COMPACTOR PAD

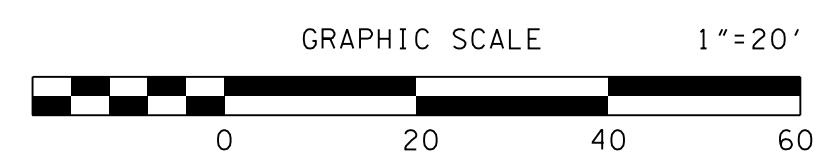
- NOTES:
- EXISTING MONUMENTS AS SHOWN. ALL OTHERS SET BY RGC&A.
 - EXISTING CONTOURS FROM TOPOGRAPHIC SURVEY. (NAVD 1988)
 - LOCATIONS OF UNDERGROUND UTILITIES SHOWN ARE APPROXIMATE. THERE MAY BE OTHER UTILITIES NOT SHOWN. PRIOR TO ANY EXCAVATION, THE OWNER AND/OR CONTRACTOR IS RESPONSIBLE FOR CONTACTING THE LOCAL UTILITY AUTHORITIES FOR EXACT LOCATIONS AND DEPTHS.
 - CONTRACTOR IS RESPONSIBLE FOR ALL TRENCH SAFETY PRACTICES.
 - EROSION CONTROL MEASURES SHOWN ON OTHER SHEETS ARE A MINIMUM. THE CONTRACTOR IS RESPONSIBLE FOR CONTROL OF EROSION ON SITE. ADDITIONAL ITEMS MAY BE REQUIRED.
 - APPLY TEMPORARY SEEDING WHENEVER GRADING OPERATIONS ARE TEMPORARILY HALTED FOR OVER 14 DAYS AND FINAL GRADING OF EXPOSED SURFACES IS TO BE COMPLETED WITHIN ONE YEAR.
 - APPLY TEMPORARY SEEDING TO SOIL STOCKPILES.
 - APPLY PERMANENT SEEDING WHENEVER GRADING OPERATIONS ARE COMPLETED AND ALL CONSTRUCTION OPERATIONS WILL NOT IMPACT THE DISTURBED AREA. APPLY PERMANENT SEEDING TO ALL NON-CONSTRUCTION AREAS WHICH SHOW SIGNS OF EXCESSIVE EROSION.
 - THE CONTRACTOR SHALL HAVE A STAMPED AND SIGNED COPY OF THIS PLAN ON SITE AT ALL TIMES DURING CONSTRUCTION
 - NO SLOPES SHALL BE STEEPER THAN 2H:1V

- DESIGN NOTES:
- TWO (2) NEW CONCRETE COMPACTOR PADS TO BE INSTALLED WITH COLLECTOR DRAINS.
 - EXISTING CONCRETE TO BE OVERLAID WITH 4" LIFT. SEE DETAILS AND SPECIFICATIONS.
 - NEW CONCRETE DRIVE TO BE CONSTRUCTED AS SHOWN.
 - NEW 6" CONCRETE CURB TO BE INSTALLED ALONG LOWER END OF SITE.
 - EXISTING CATCH BASINS TO BE RAISED WITH NEW LIDS AND GRATES.
 - CONCRETE TRAFFIC-RATED SEPTIC TANK TO BE INSTALLED FOR STORAGE OF EFFLUENT FROM COMPACTOR DRAINS.
 - WATER QUALITY TREATMENT UNIT TO BE INSTALLED FOR TREATMENT OF STORMWATER RUNOFF.
 - TRAFFIC FLOW TO BE GENERALLY CLOCKWISE AS SHOWN. ENTRANCE TO BE WIDENED AS SHOWN.
 - WIDENING OF FORD ROAD TO BE CONDUCTED.

OWNER/DEVELOPER:
 ANDERSON COUNTY, TENNESSEE
 MAYOR TERRY FRANK
 GEOFF TRABALKA
 ANDERSON COUNTY SOLID WASTE COORDINATOR
 100 NORTH MAIN STREET
 ROOM 127
 CLINTON, TN
 (865) 463-6845

ENGINEER:
 ROBERT G. CAMPBELL & ASSOC., L.P.
 7523 TAGGART LANE
 KNOXVILLE, TN, 37938
 PHONE: 865-947-5996

CLT # 087
 PARCEL 217.01
 TOTAL AREA: 3.78 ACRES
 DISTURBED AREA : 0.50 ACRES
 DEED REFERENCE:
 DB 1143 PG 235



L:\ANDERSON\1970\1970_Sheets.dgn 9/17/2020 11:54:45 AM

NO.	DATE	DESCRIPTION	BY	CKD.
1	6-24-19	REVISED DRAINAGE EASEMENT	GMT	RGC
REVISIONS				

ROBERT G. CAMPBELL & ASSOC., L.P.
 CONSULTING ENGINEERS
 KNOXVILLE, TENNESSEE

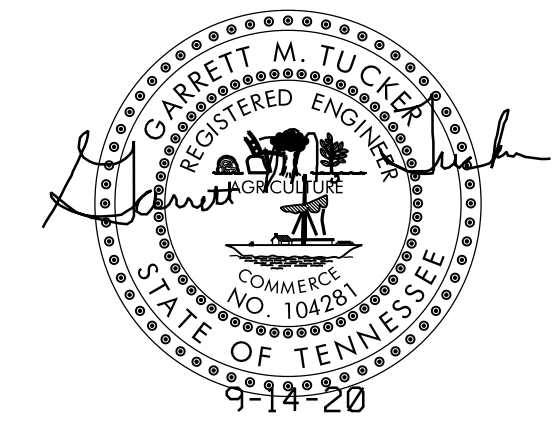
**ANDERSON COUNTY SOLID WASTE
 MARLOW CONVENIENCE CENTER**

**PLAN VIEW
 PROPOSED SITE LAYOUT**

DESIGNED BY GMT	CHECKED BY RGC	SCALE 1"=20'	SHEET NO. 3
DRAWN BY GMT	DATE 9-17-20	FILE NO. 19701	OF TEN SHEETS

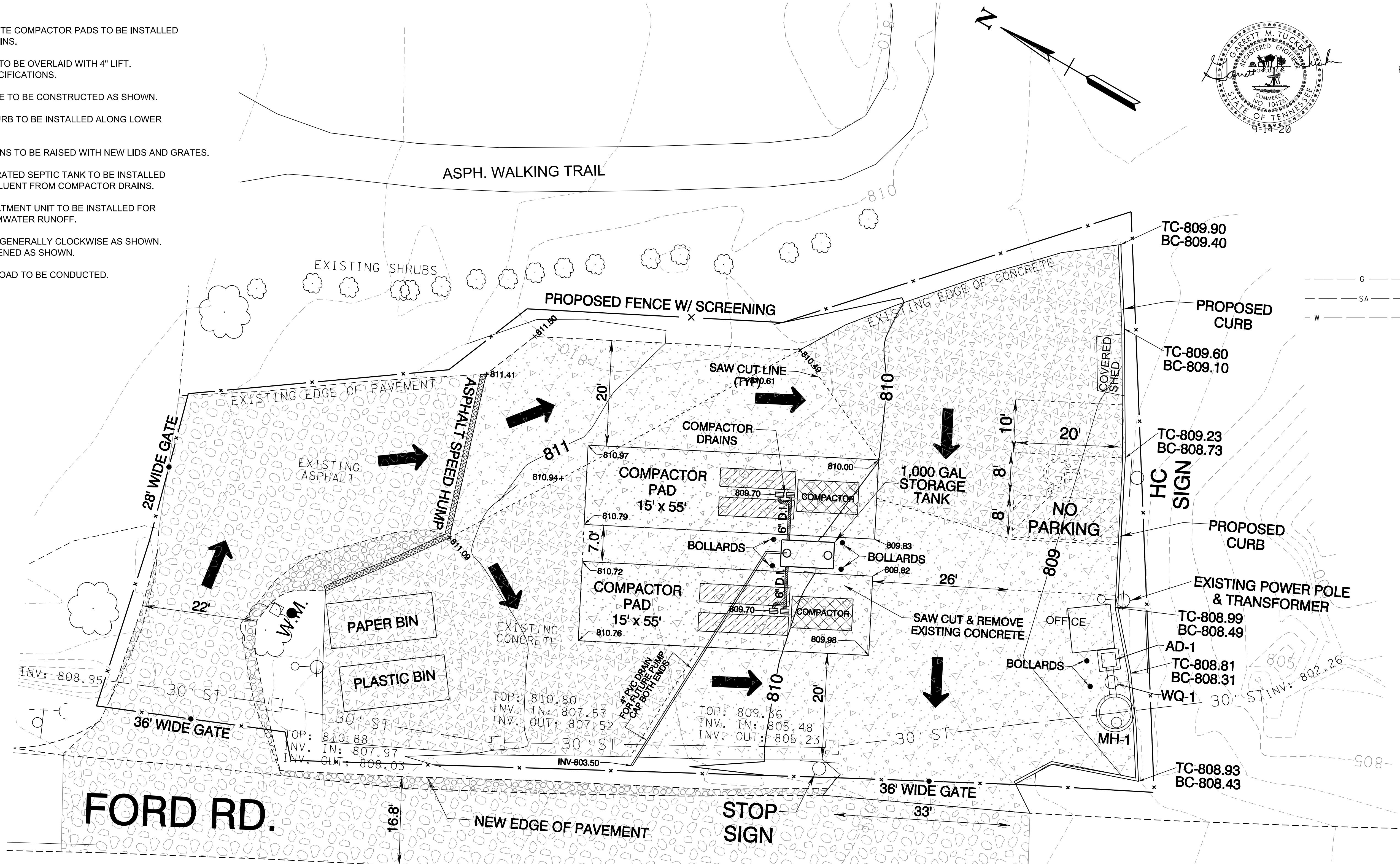
DESIGN NOTES:

- 1) TWO (2) NEW CONCRETE COMPACTOR PADS TO BE INSTALLED WITH COLLECTOR DRAINS.
- 2) EXISTING CONCRETE TO BE OVERLAID WITH 4" LIFT. SEE DETAILS AND SPECIFICATIONS.
- 3) NEW CONCRETE DRIVE TO BE CONSTRUCTED AS SHOWN.
- 4) NEW 6" CONCRETE CURB TO BE INSTALLED ALONG LOWER END OF SITE.
- 5) EXISTING CATCH BASINS TO BE RAISED WITH NEW LIDS AND GRATES.
- 6) CONCRETE TRAFFIC-RATED SEPTIC TANK TO BE INSTALLED FOR STORAGE OF EFFLUENT FROM COMPACTOR DRAINS.
- 7) WATER QUALITY TREATMENT UNIT TO BE INSTALLED FOR TREATMENT OF STORMWATER RUNOFF.
- 8) TRAFFIC FLOW TO BE GENERALLY CLOCKWISE AS SHOWN. ENTRANCE TO BE WIDENED AS SHOWN.
- 9) WIDENING OF FORD ROAD TO BE CONDUCTED.



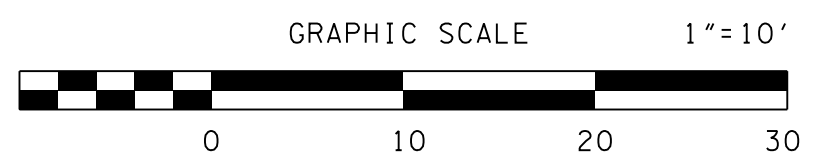
LEGEND

○ EIP	IRON PIN FOUND
PIPE	PIPE FOUND
□ G.V.	GAS VALVE
□ W.M.	WATER METER
⊙	MANHOLE
⊥	SIGN
□ W.V.	WATER VALVE
⊗	FIRE HYDRANT
⊕ P/T	POWER/TELEPHONE
○	GUY WIRE
---	GAS LINE (TYP)
---	SANITARY SEWER (TYP)
---	WATER LINE (TYP)



NOTES:

- 1) EXISTING MONUMENTS AS SHOWN. ALL OTHERS SET BY RGC&A.
- 2) EXISTING CONTOURS FROM TOPOGRAPHIC SURVEY. (NAVD 1988)
- 3) LOCATIONS OF UNDERGROUND UTILITIES SHOWN ARE APPROXIMATE. THERE MAY BE OTHER UTILITIES NOT SHOWN. PRIOR TO ANY EXCAVATION, THE OWNER AND/OR CONTRACTOR IS RESPONSIBLE FOR CONTACTING THE LOCAL UTILITY AUTHORITIES FOR EXACT LOCATIONS AND DEPTHS.
- 4) CONTRACTOR IS RESPONSIBLE FOR ALL TRENCH SAFETY PRACTICES.
- 5) EROSION CONTROL MEASURES SHOWN ON OTHER SHEETS ARE A MINIMUM. THE CONTRACTOR IS RESPONSIBLE FOR CONTROL OF EROSION ON SITE. ADDITIONAL ITEMS MAY BE REQUIRED.
- 6) a. APPLY TEMPORARY SEEDING WHENEVER GRADING OPERATIONS ARE TEMPORARILY HALTED FOR OVER 14 DAYS AND FINAL GRADING OF EXPOSED SURFACES IS TO BE COMPLETED WITHIN ONE YEAR. APPLY TEMPORARY SEEDING TO SOIL STOCKPILES.
b. APPLY PERMANENT SEEDING WHENEVER GRADING OPERATIONS ARE COMPLETED AND ALL CONSTRUCTION OPERATIONS WILL NOT IMPACT THE DISTURBED AREA. APPLY PERMANENT SEEDING TO ALL NON-CONSTRUCTION AREAS WHICH SHOW SIGNS OF EXCESSIVE EROSION.
- 7) THE CONTRACTOR SHALL HAVE A STAMPED AND SIGNED COPY OF THIS PLAN ON SITE AT ALL TIMES DURING CONSTRUCTION
- 8) NO SLOPES SHALL BE STEEPER THAN 2H:1V



OWNER/DEVELOPER:
ANDERSON COUNTY, TENNESSEE
MAYOR TERRY FRANK
GEOFF TRABALKA
ANDERSON COUNTY SOLID WASTE COORDINATOR
100 NORTH MAIN STREET
ROOM 127
CLINTON, TN
(865) 463-6845

ENGINEER:
ROBERT G. CAMPBELL & ASSOC., L.P.
7523 TAGGART LANE
KNOXVILLE, TN, 37938
PHONE: 865-947-5996

CLT # 087
PARCEL 217.01

TOTAL AREA: 3.78 ACRES
DISTURBED AREA : 0.50 ACRES

DEED REFERENCE:
DB 1143 PG 235

L:\ANDERSON\1970\19701_Sheets.dgn 9/17/2020 11:54:22 AM

NO.	DATE	DESCRIPTION	BY	CKD.
1	6-24-19	REVISED DRAINAGE EASEMENT	GMT	RGC
REVISIONS				

ROBERT G. CAMPBELL & ASSOC., L.P.
CONSULTING ENGINEERS
KNOXVILLE, TENNESSEE

ANDERSON COUNTY SOLID WASTE
MARLOW CONVENIENCE CENTER

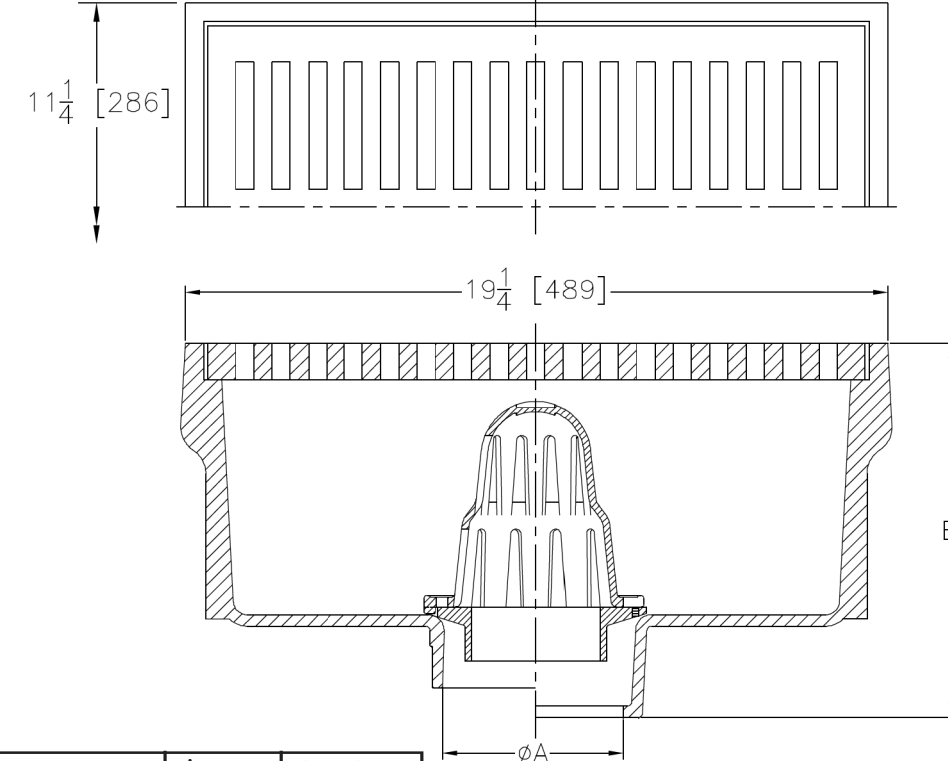
PROPOSED SITE LAYOUT
SITE GRADING DETAIL

DESIGNED BY GMT	CHECKED BY RGC	SCALE 1"=10'	SHEET NO. 4
DRAWN BY GMT	DATE 9-17-20	FILE NO. 19701	OF TEN SHEETS

NOTE: TOP OF DRAIN TO BE A MINIMUM OF 2" LOWER THAN LOWEST OUTER PAD CORNER ELEVATION

ZURN Z668
11-1/4 x 19-1/4 [286 X 489] HEAVY-DUTY DRAIN
SPECIFICATION SHEET TAG _____

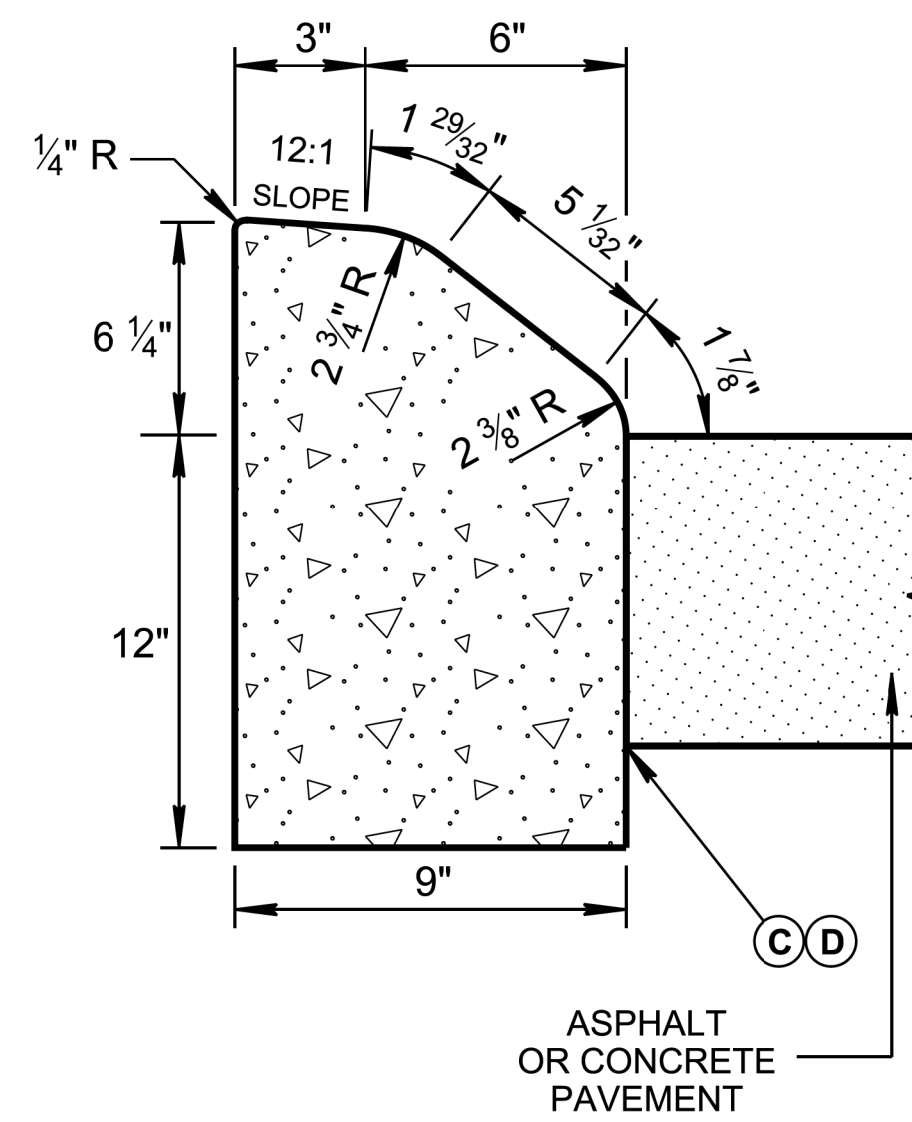
Dimensional Data (inches and [mm]) are Subject to Manufacturing Tolerances and Change Without Notice



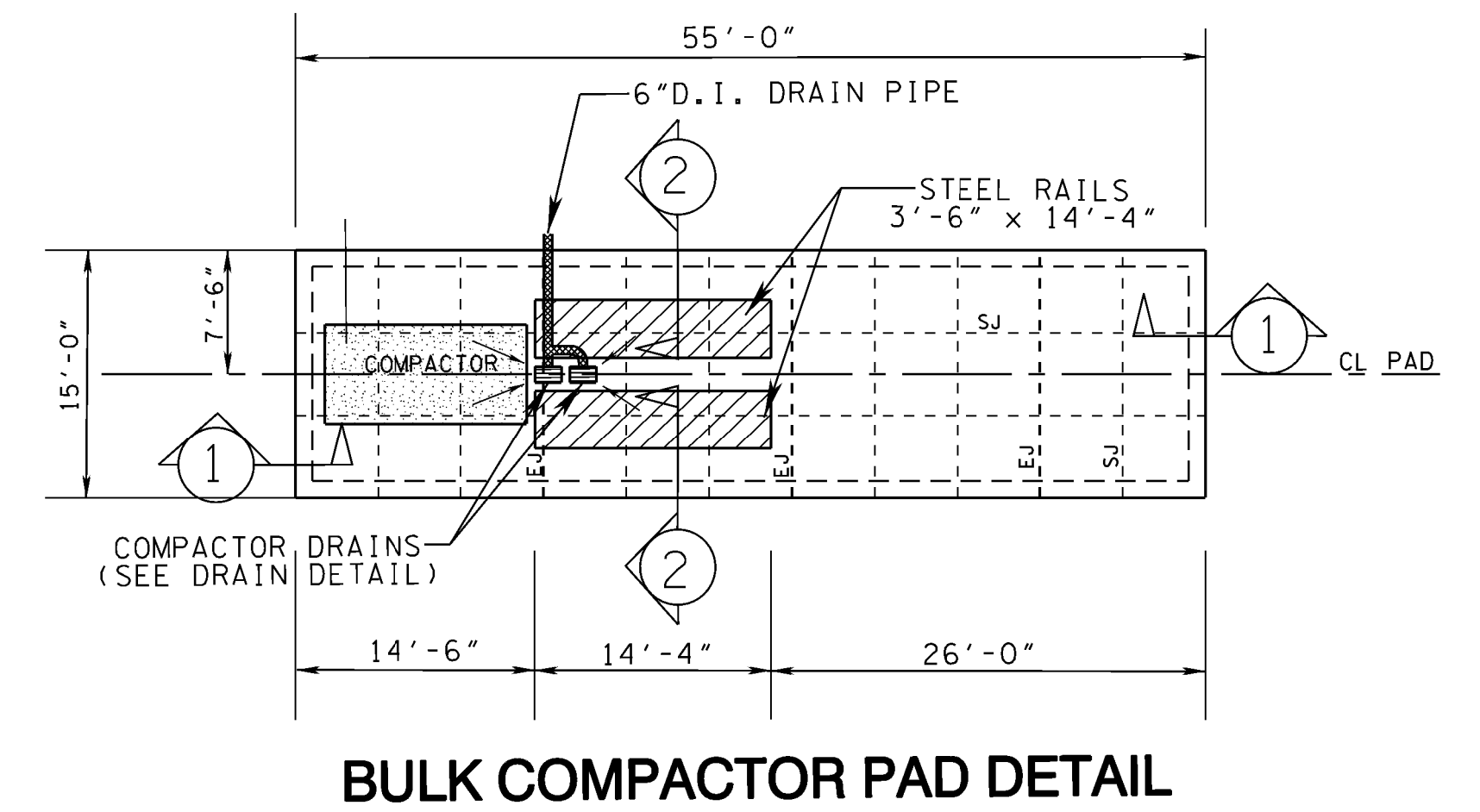
A	Approx. Wt. Lbs. [kg]	Grate Open Area Sq. In. [cm ²]
Pipe Size In [mm]		
4.6 [102,152]	115 [52]	60 [387]

ENGINEERING SPECIFICATION: ZURN Z668
11-1/4" X 19-1/4" [286mm x 489mm] Top drain, Dura-Coated cast iron body with bottom outlet, less seepage pan, with secondary strainer, loose heavy-duty slotted grate.

**COMPACTOR DRAIN DETAIL
ZURN 7668 OR EQUAL**



**6" SLOPING
DETACHED CONCRETE CURB**



BULK COMPACTOR PAD DETAIL

Top View

End View

Side View

Specifications

Concrete: 5,000 psi minimum strength (28 day)

Reinforcing: Primary reinforcement will be top, side, and bottom #3 and/or #4 rebar (Grade 60) rebar.

Risers: Grade rings and manhole frames and covers sold separately.

Sealant: Sealant used in the seam of the tank will meet or exceed ASTM C990.

Pipe Penetrations: Inlet and outlets are fitted with seals that meet or exceed all ASTM C923 specifications.

Partition Wall: The partition wall, if present, is poured monolithically.

Installation: The tank hole is not to be more than one foot longer and wider than the tank. There shall be a minimum of 6" of stone bedding in soil terrain and a 12" stone bedding in rock terrain. Do not install across path of vehicles or heavy equipment. This tank is designed for one hundred fifty pounds per square foot (150 lb/ft²) uniform loading on the top of the tank with a maximum backfill cover of 36" and a minimum of 6".

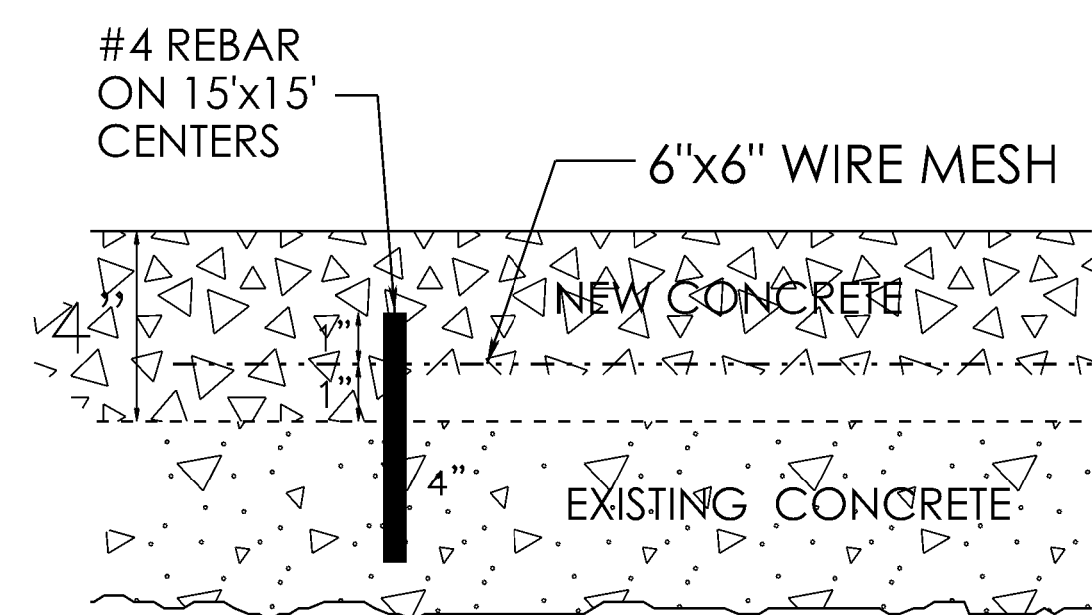
Tank Warranty: The C. R. Barger & Sons, Inc. septic tank when installed in accordance with manufacturer's instructions is warranted against defective materials and/or workmanship for 1 year from the date of delivery to the project site. Should a defect appear within the warranty period, C. R. Barger & Sons, Inc. will supply a new septic tank in replacement thereof. C. R. Barger & Sons, Inc. liability is limited to the value of the septic tank itself and specifically excludes the cost of installation and/or removal and consequential damages. Failure to comply with C. R. Barger & Sons, Inc. installation procedures and general notes will void warranty.

NPCC
CERTIFIED PLANT

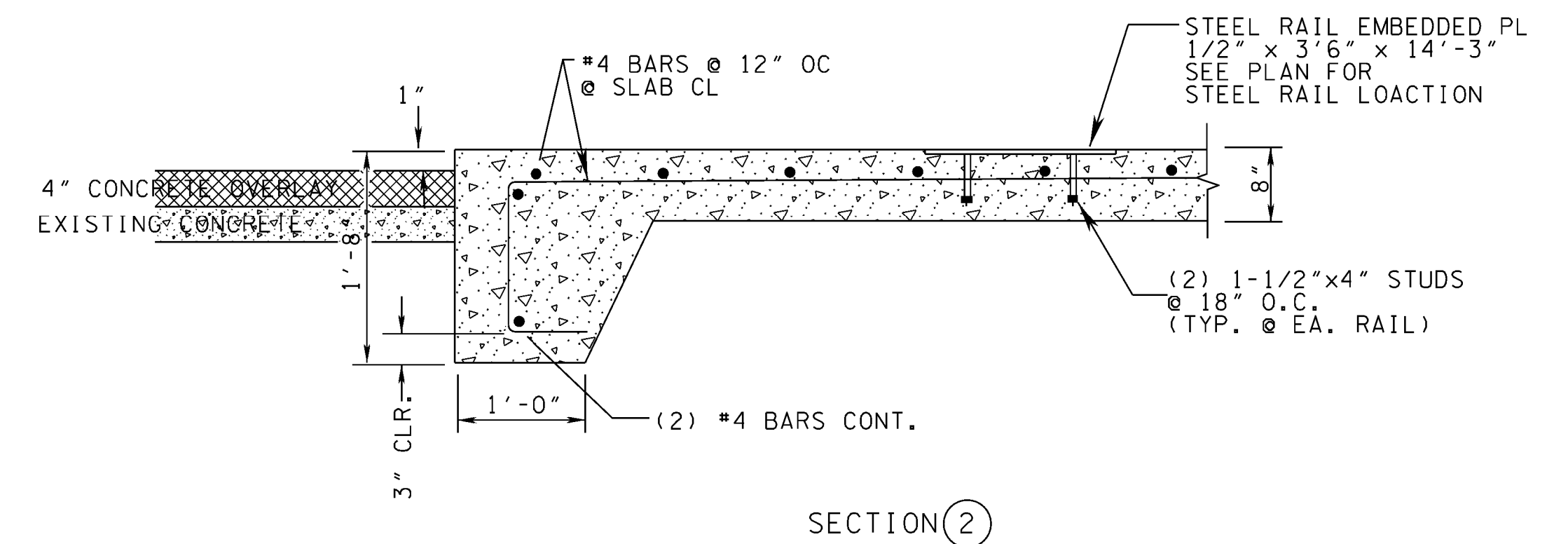
Conduit penetration included with watertight boot.

Manufactured by: C. R. Barger & Sons, Inc. 123 Farmville Farm Road Lenoir City TN 37771 Phone 865.270.8080 Fax 865.270.8079 www.bargerandsons.com	General Notes: All vertical measurements are accurate within ± 1 inch on the tank. The lids can be moved and resized if necessary.	Tank Type: Decontamination Tank 1000 Gallon Date: 3.252006 Approx. Weight: 13,000 lbs. Drawn By: Eric Barger
---	---	--

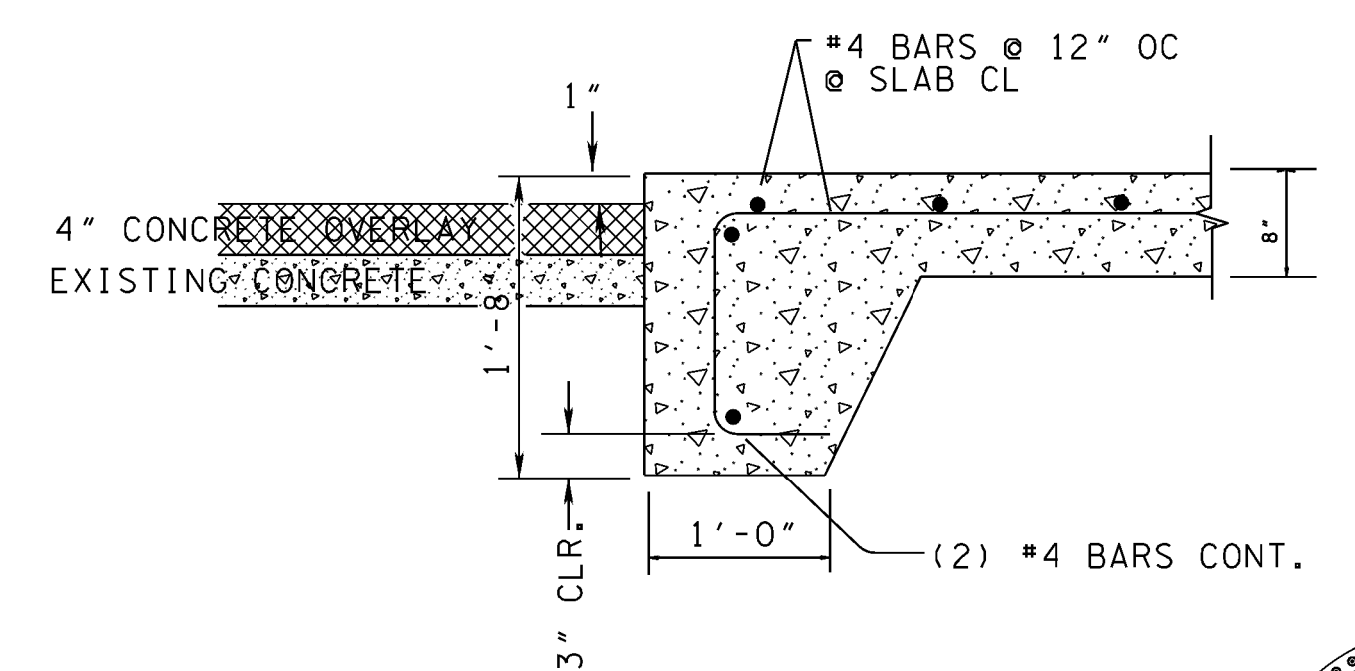
**1,000 GALLON STORAGE TANK
TYPICAL DETAIL
BARGER & SONS OR EQUAL**



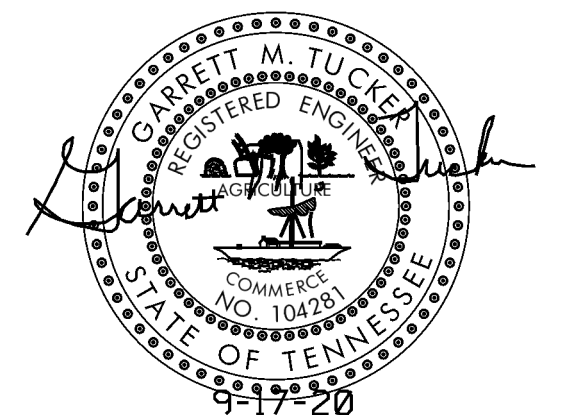
DOWELL ROD ANCHOR DETAIL



SECTION 2



SECTION 1



NO.	DATE	DESCRIPTION	BY	CKD.
REVISIONS				



ROBERT G. CAMPBELL & ASSOC., L.P.
CONSULTING ENGINEERS
KNOXVILLE, TENNESSEE

**ANDERSON COUNTY SOLID WASTE
MARLOW CONVENIENCE CENTER**

DETAILS

DESIGNED BY GMT	CHECKED BY RGC	SCALE NO SCALE	SHEET NO. 7
DRAWN BY GMT	DATE 9-17-20	FILE NO. 19701	OF TEN SHEETS