



OWNER'S NAME: WILLIAMSON COUNTY LANDFILL
PROJECT NAME: PROPOSED LEACHATE STORAGE TANKS
BID DATE: MAY 9, 2018

ADDENDUM NO. 1
APRIL 19, 2018

The following additions, deletions, modifications, or clarifications shall be made to the appropriate sections of the specifications and shall become a part of the CONTRACT DOCUMENTS. Bidders shall acknowledge receipt of this Addendum in the space provided on the Bid Form and in the area provided below. Each Bidder shall acknowledge receipt of this Addendum by affixing his signature below, by noting this Addendum on the Bid Form, and by attaching this Addendum acknowledgement page to the Bid.

The undersigned acknowledges receipt of this Addendum and the Bid submitted is in accordance with information, instructions, and stipulations set forth herein.

Company Name _____

Authorized Signature _____

Title _____

CONTRACT DOCUMENTS

II. SCOPE OF WORK AND SPECIFICATIONS

MINIMUM BID SPECIFICATIONS FOR LEACHATE TANKS AND APPURTENANCES

PART 1 PRODUCTS

1.4 Fiberglass Reinforced Plastic (FRP) Tanks

- A. Section 1.4.7 b): "Each tank shall be constructed of a single resin system."

A question was received from a potential bidder as to if this statement was a "request for vinyl ester throughout".

The specification calls for a single resin type to be used throughout the tank as stated. There was no specification on the type of resin to use. The chosen resin shall be compatible with typical Municipal Solid Waste landfill leachate. Section 1.4.8 of the specifications gives information on the leachate characteristics: "These tanks will hold landfill leachate that has specific gravity similar to water with pH of 7 to 7.8 and temperature ranges from 12 to 25 degrees C." Additional leachate information, if desired, is available upon request.

- B. Section 1.4.7 l): "Bubbler pipes where required shall be 1-inch FRP of the same resin as the tank and constructed in accordance with manufacturer standards."

DELETE THIS SECTION: 1.4.7 l)

- C. Section 1.5 A. "Tank fittings shall be according to the fittings shown on the Engineer's Drawings."

Engineer's drawing of the tank nozzles/fittings required for the tanks is attached with this Addendum No. 1 submittal. In addition, there will be no heat tracing required for the tanks. The specifications call only for insulation.

- D. Clarification for Section 1.5 B:

All tank nozzle/fittings shall consist of flanged connections per the specifications provided to potential bidders.

- E. **DELETE Section 1.5 C.**

- F. Section 1.5.F has been revised to the following:

F. *Proposed Tank Nozzles/Fittings (Refer to Nozzle Plan/Schedule from Engineer)*

- 1. *Provide two (2) -4" conically (or blade) gusseted flanged openings per tank (6 inches from the tank bottom to centerline of opening), one for the lower pipe for level equalization and one blind-flanged stub-out for future, lower load-out piping connection.***

2. *Provide two (2) – 4” conically (or blade) gusseted flanges per tank (10’-6” up from bottom of tank to centerline of opening), one that is blind flanged for future use for transducer (or other) equipment access and one for the upper overflow (both located near top of tanks).*
3. *Provide 1 –FRP gooseneck vent per tank with insect screen.*
4. *Provide 1 – 24” side flanged manway per tank with Cover, EPDM gasket and 304 SS stainless steel fasteners.*

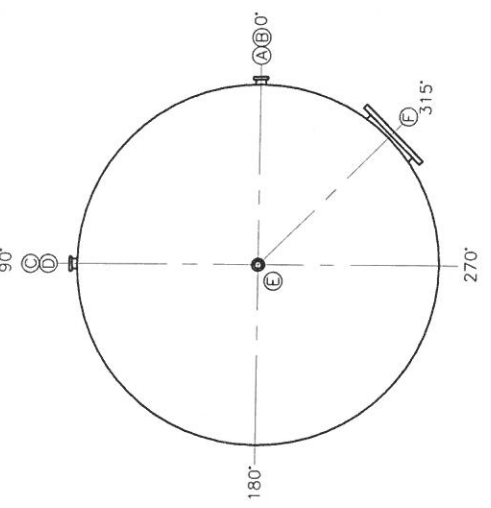
III. WARRANTY

The warranty section has been revised as follows:

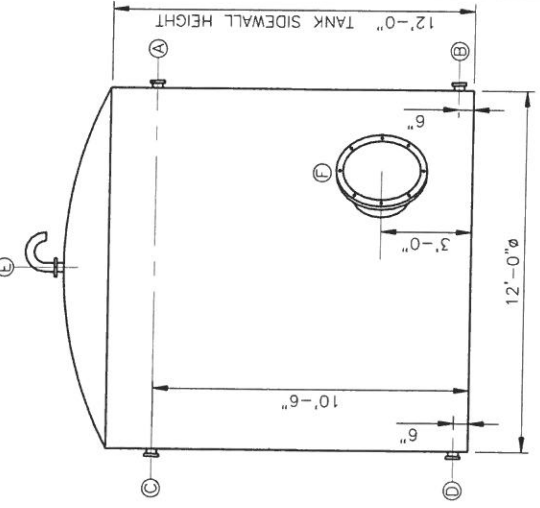
“The CONTRACTOR shall provide a warranty against manufacturing defects of material and workmanship for a period of five (5) years after the final acceptance of the project by the OWNER. The CONTRACTOR shall replace at no expense to the OWNER any defective tanks or associated appurtenances within the warranty period. The Contractor’s warranty shall be in addition to any manufacturer’s warranty.”

Attachments: 1) Tank Nozzle Plan/Schedule

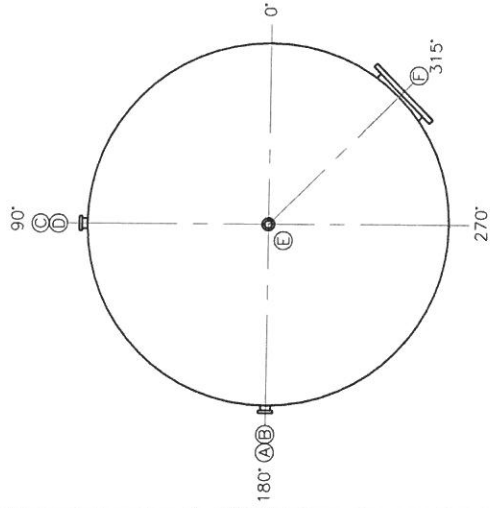
END OF ADDENDUM NO. 1



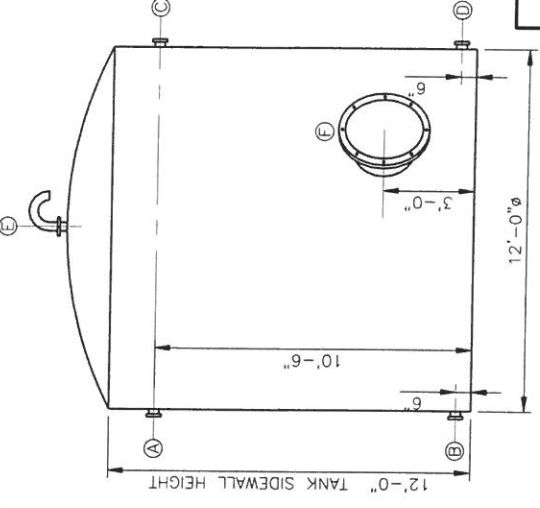
TANK T-3 AND T-5 NOZZLE LOCATION PLAN



TANK T-3 AND T-5 NOZZLE LOCATION ELEVATION



TANK T-4 AND T-6 NOZZLE LOCATION PLAN



TANK T-4 AND T-6 NOZZLE LOCATION ELEVATION

T-3 AND T-5 NOZZLE SCHEDULE

NOZZLE	SIZE	LOCATION	DESCRIPTION	REMARKS
A	4"	SIDE	UPPER OVERFLOW	FLANGED
B	4"	SIDE	LOWER EQUALIZATION	FLANGED
C	4"	SIDE	FUTURE USE (UPPER)	BLIND FLANGE
D	4"	SIDE	FUTURE USE (LOWER)	BLIND FLANGE
E	2"	TOP	VENT	U-VENT WITH INSECT SCREEN
F	24"	SIDE	MANWAY	

T-4 AND T-6 NOZZLE SCHEDULE

NOZZLE	SIZE	LOCATION	DESCRIPTION	REMARKS
A	4"	SIDE	UPPER OVERFLOW	FLANGED
B	4"	SIDE	LOWER EQUALIZATION	FLANGED
C	4"	SIDE	FUTURE USE (UPPER)	BLIND FLANGE
D	4"	SIDE	FUTURE USE (LOWER)	BLIND FLANGE
E	2"	TOP	VENT	U-VENT WITH INSECT SCREEN
F	24"	SIDE	MANWAY	

TANK NOTES:

- SOME NOZZLES ROTATED FOR CLARITY IN ELEVATION VIEWS.



Civil & Environmental Consultants, Inc.
 325 Seaboard Lane - Suite 170 - Franklin, TN 37067
 615-535-7797 - 800-763-2926
 www.cecinc.com

WILLIAMSON COUNTY LANDFILL
 LEACHATE STORAGE TANKS
 LEIPERS FORK
 WILLIAMSON COUNTY, TENNESSEE
 NEW FRP STORAGE TANKS
 NOZZLE SCHEDULE

DRAWN BY: LM CHECKED BY: KLC APPROVED BY: KBW
 DATE: APRIL 2018 DWG SCALE: 1/4" = 1'-0" PROJECT NO: 070747
 FIGURE NO: 1