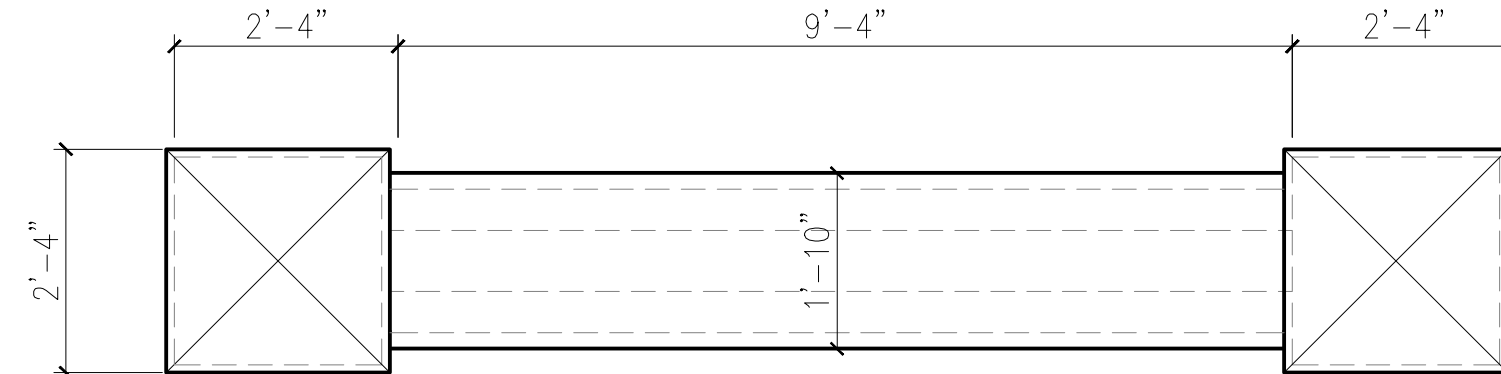
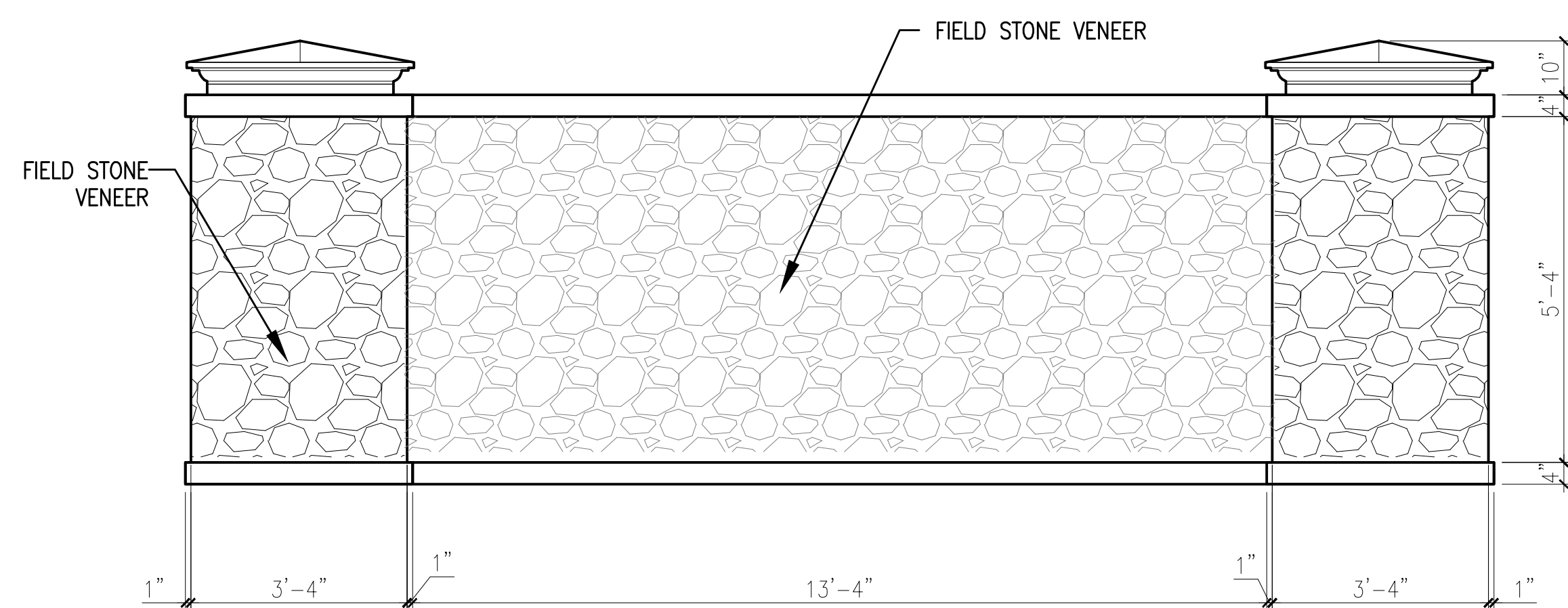


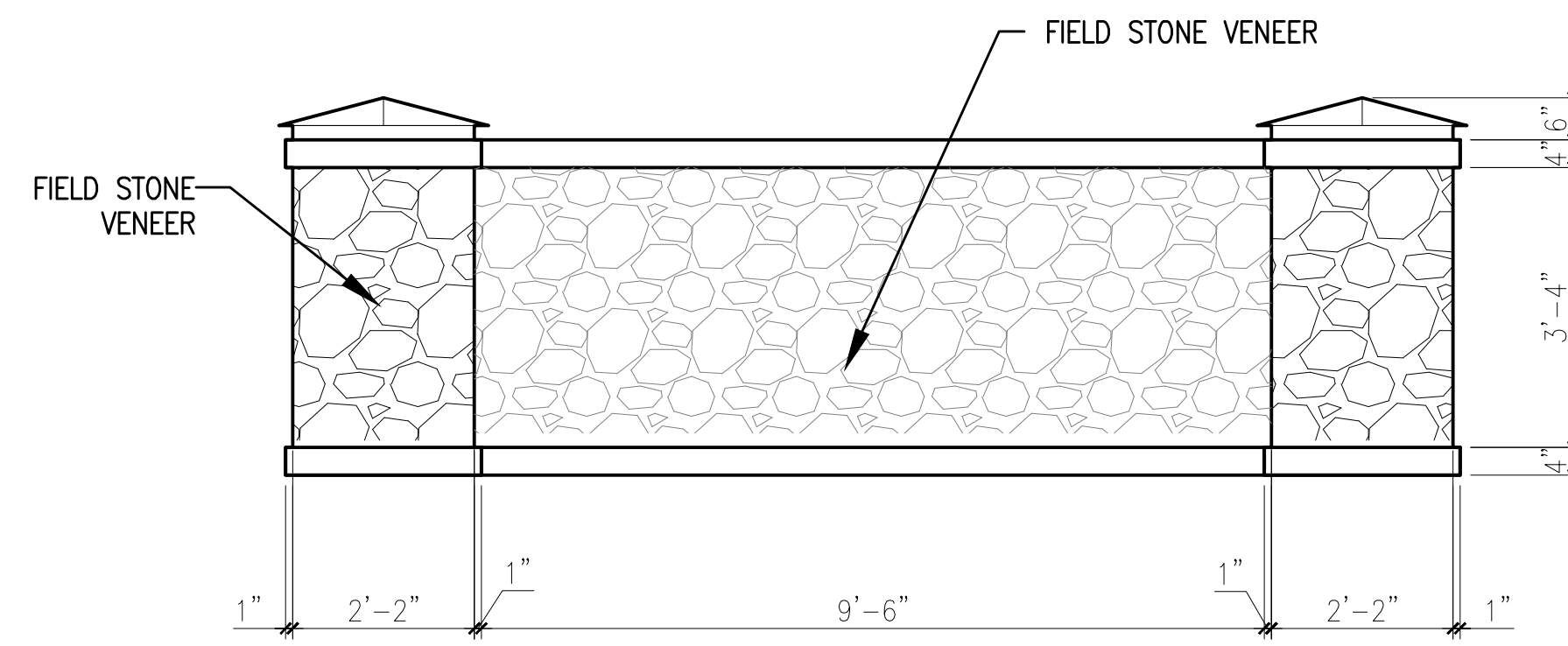
NOTE: SEE STRUCTURAL SHEET S.001 FOR SECTION DETAILS



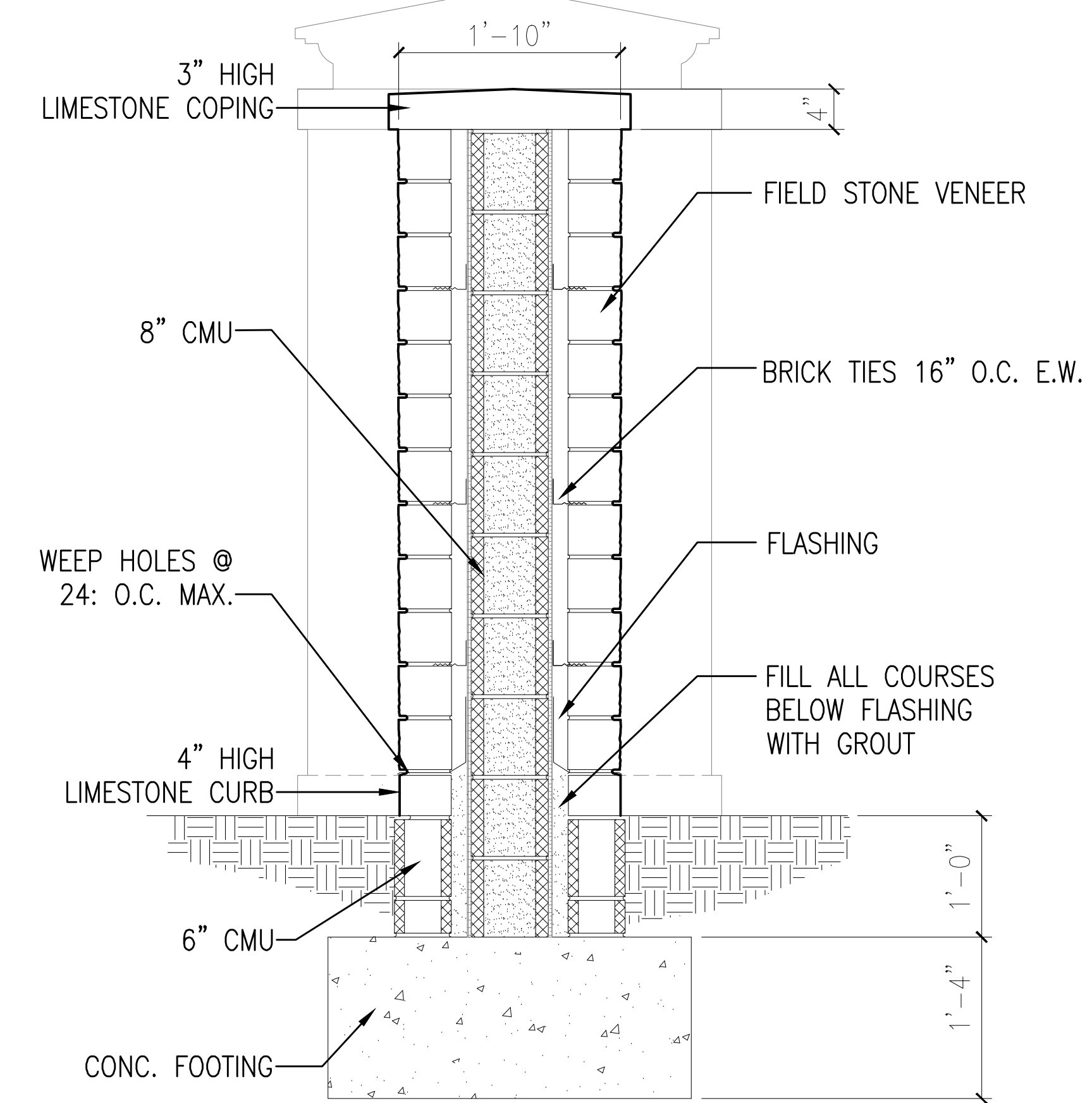
NOTE: SEE STRUCTURAL SHEET S.002 FOR SECTION DETAILS



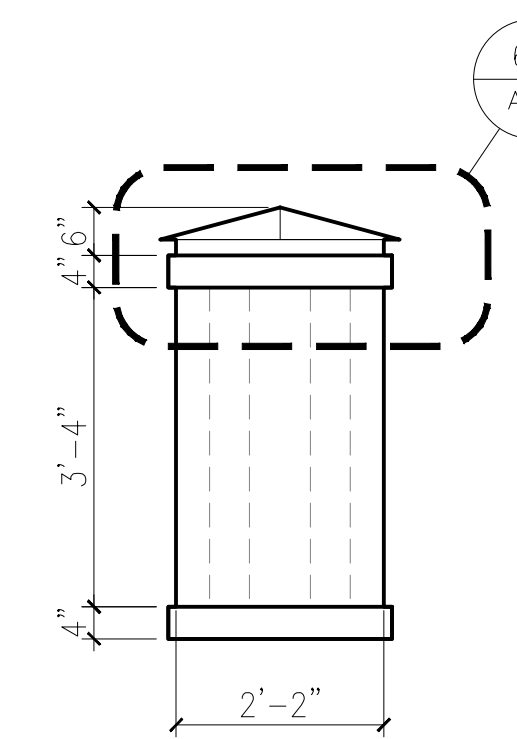
**1B FRONT AND TOP ELEVATION VIEW - 20' SIGN**  
1/2" - 1' - 0"



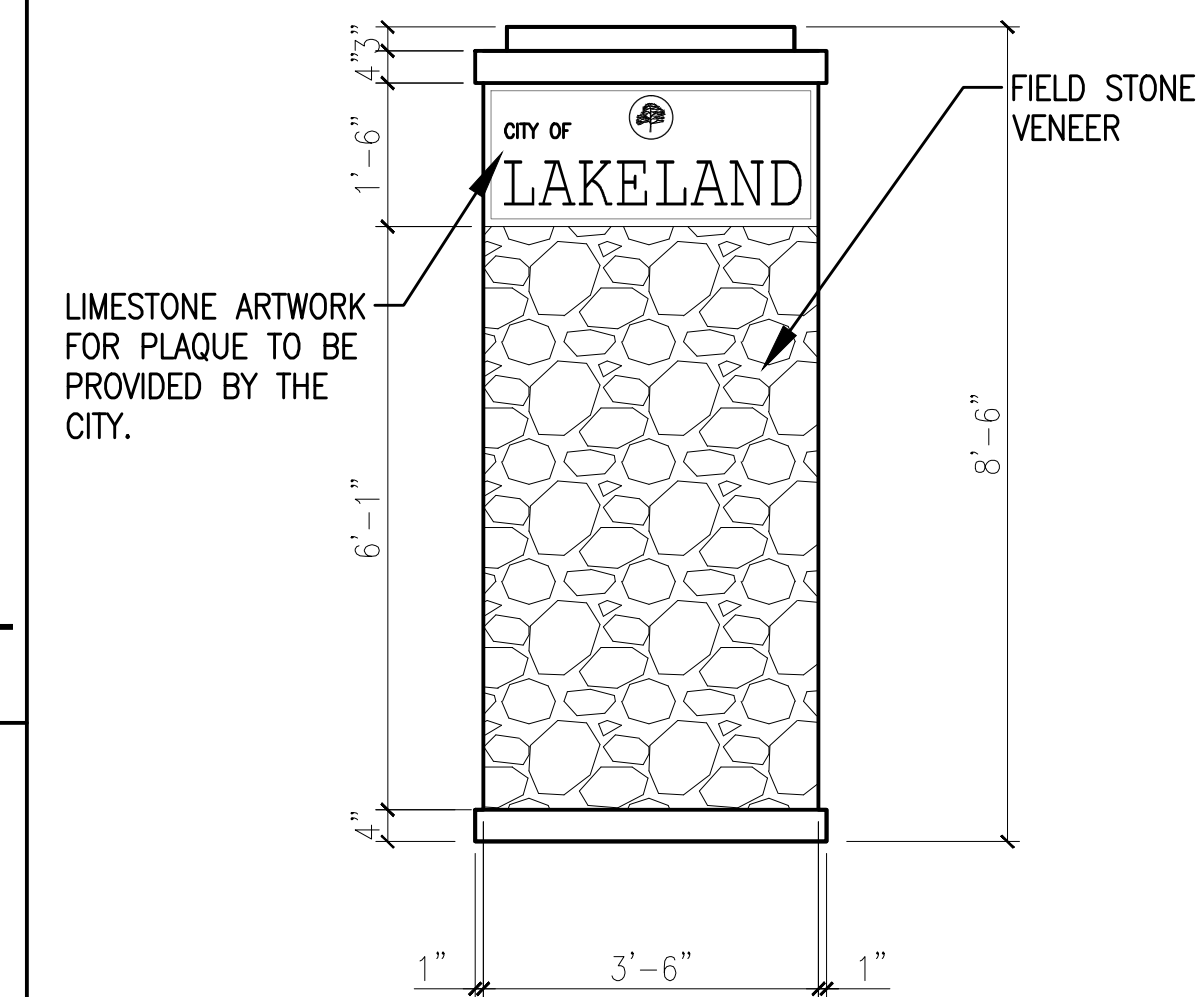
**3B FRONT AND TOP ELEVATION VIEW - 14' SIGN**  
1/2" - 1' - 0"



**5D WALL SECTION**  
1' - 1' - 0"

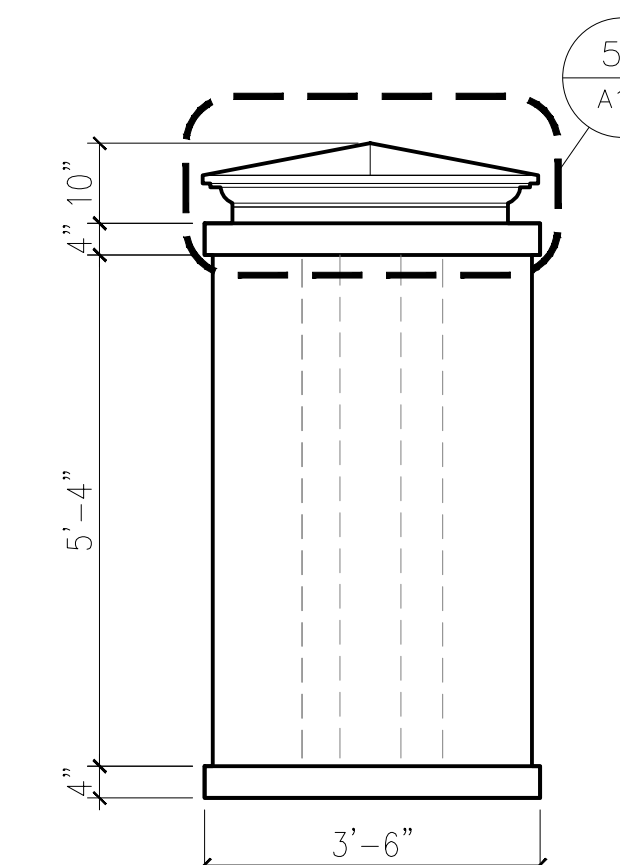


**5C SIDE VIEW ELEVATION - 14' SIGN**  
1/2" - 1' - 0"

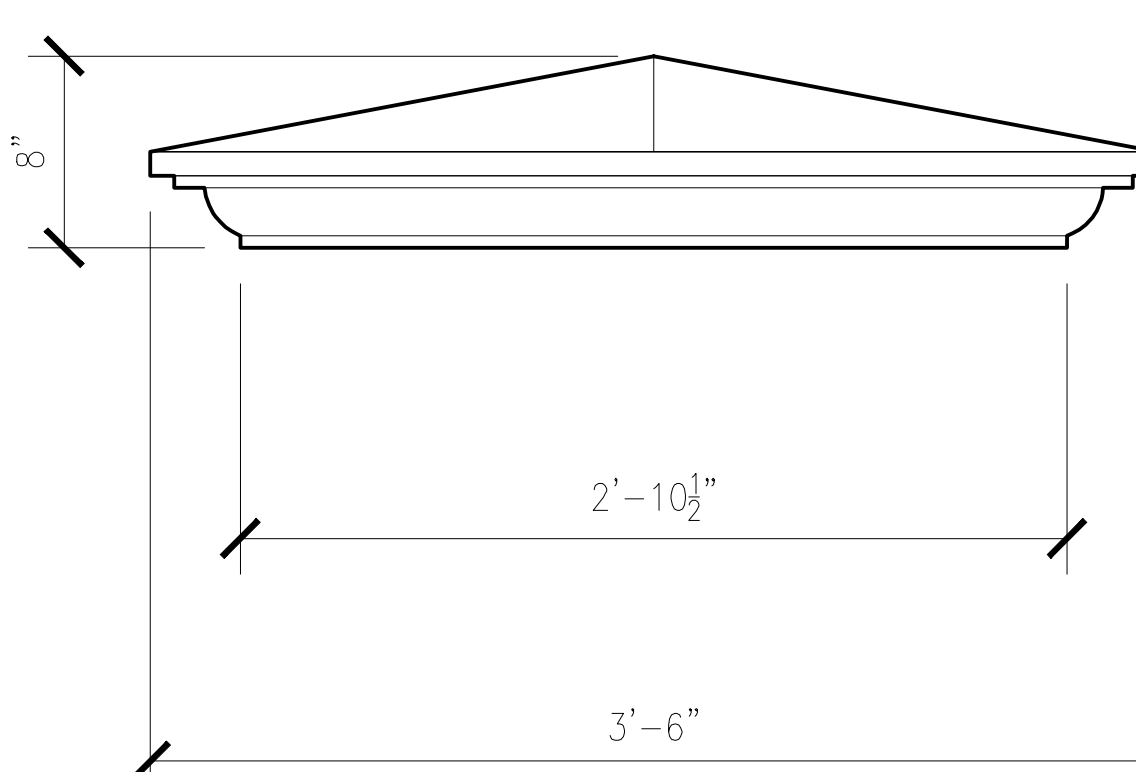


NOTE: SEE STRUCTURAL SHEET S.003 FOR SECTION DETAILS.

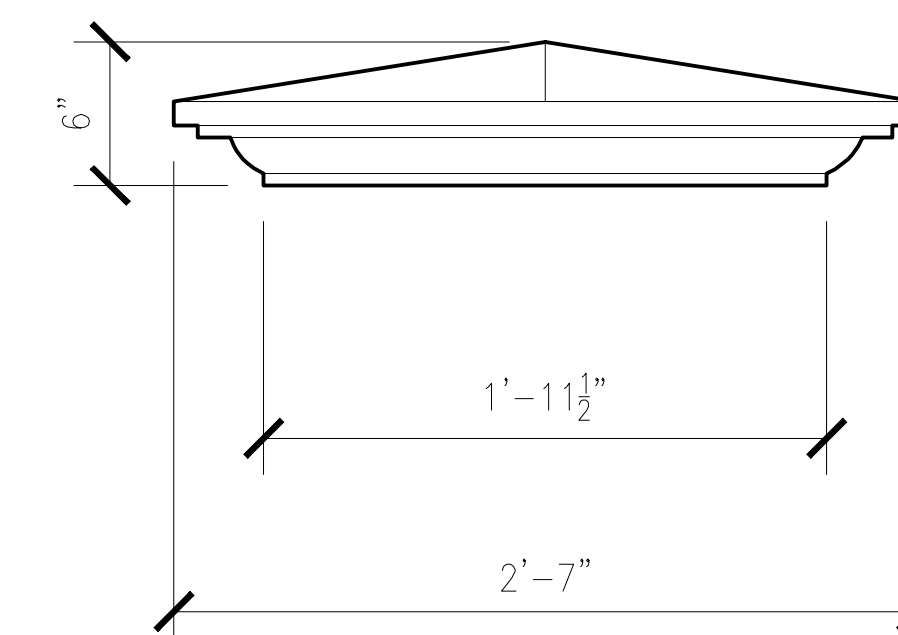
**6B ELEVATION - SIGN PILLAR**  
1/2" - 1' - 0"



**5B SIDE VIEW ELEVATION - 20' SIGN**  
1/2" - 1' - 0"



**5A CAP STONE 42" WIDTH**  
1/2" - 1' - 0"



**6A CAP STONE 31" WIDTH**  
1/2" - 1' - 0"

**GENERAL NOTES**

1. CONCRETE MASONRY UNITS 3/8" JOINTS.
2. INSTALL 5" THICK FOR FIELD STONE VENEER.
3. INSTALL 3" FOR THE FLAT LIMESTONE TOP.
4. INSTALL 4" LIMESTONE BASE TRIM.
5. COORDINATE WITH CITY FOR LIGHT FIXTURE PLACEMENT.
6. INSTALL NEW LIMESTONE PLAQUES AT APPROXIMATELY 3"-3 1/2" THICK.

REVISIONS:


PROJECT #: 24922.00  
DATE: MARCH 30, 2016  
DRAWN BY: WDA  
DESIGNER: OWNER  
CHECKED BY: TMcC

**Pickering**  
Pickering Firm, Inc.  
Civil, Electrical, Surveying,  
Facility Design • Natural / Water Resources  
Transportation • Natural / Water Resources  
6775 Lenox Center Court, Suite 300  
Memphis, TN 38115  
901.736.0810

**CITY OF LAKELAND**  
**GATEWAY MONUMENT SIGNS**  
10001 HWY. 70  
LAKELAND, TN. 38002

SEAL:  
SHEET NUMBER:

**A1.1**  
DESCRIPTION:  
MONUMENT SIGNS