

1. TOP MAT SHALL BE CONSTRUCTED PER THE SECTION DETAIL (SEE PREVIOUS SHEETS) ONLY IF MOST CONCRETE SHALL BE TYPE 1.
2. THE 18" RCP SHALL BE INSTALLED WITH A MINIMUM ENVELOPEMENT AREA OF 3/4" FROM THE CURB TO THE 18" RCP. THE 18" RCP SHALL BE INSTALLED WITH A MINIMUM ENVELOPEMENT AREA OF 3/4" FROM THE CURB TO THE 18" RCP. THE 18" RCP SHALL BE INSTALLED WITH A MINIMUM ENVELOPEMENT AREA OF 3/4" FROM THE CURB TO THE 18" RCP.
3. THE 18" RCP SHALL BE INSTALLED WITH A MINIMUM ENVELOPEMENT AREA OF 3/4" FROM THE CURB TO THE 18" RCP. THE 18" RCP SHALL BE INSTALLED WITH A MINIMUM ENVELOPEMENT AREA OF 3/4" FROM THE CURB TO THE 18" RCP.
4. THE 18" RCP SHALL BE INSTALLED WITH A MINIMUM ENVELOPEMENT AREA OF 3/4" FROM THE CURB TO THE 18" RCP. THE 18" RCP SHALL BE INSTALLED WITH A MINIMUM ENVELOPEMENT AREA OF 3/4" FROM THE CURB TO THE 18" RCP.
5. THE 18" RCP SHALL BE INSTALLED WITH A MINIMUM ENVELOPEMENT AREA OF 3/4" FROM THE CURB TO THE 18" RCP. THE 18" RCP SHALL BE INSTALLED WITH A MINIMUM ENVELOPEMENT AREA OF 3/4" FROM THE CURB TO THE 18" RCP.
6. THE 18" RCP SHALL BE INSTALLED WITH A MINIMUM ENVELOPEMENT AREA OF 3/4" FROM THE CURB TO THE 18" RCP. THE 18" RCP SHALL BE INSTALLED WITH A MINIMUM ENVELOPEMENT AREA OF 3/4" FROM THE CURB TO THE 18" RCP.
7. THE 18" RCP SHALL BE INSTALLED WITH A MINIMUM ENVELOPEMENT AREA OF 3/4" FROM THE CURB TO THE 18" RCP. THE 18" RCP SHALL BE INSTALLED WITH A MINIMUM ENVELOPEMENT AREA OF 3/4" FROM THE CURB TO THE 18" RCP.
8. THE 18" RCP SHALL BE INSTALLED WITH A MINIMUM ENVELOPEMENT AREA OF 3/4" FROM THE CURB TO THE 18" RCP. THE 18" RCP SHALL BE INSTALLED WITH A MINIMUM ENVELOPEMENT AREA OF 3/4" FROM THE CURB TO THE 18" RCP.
9. THE 18" RCP SHALL BE INSTALLED WITH A MINIMUM ENVELOPEMENT AREA OF 3/4" FROM THE CURB TO THE 18" RCP. THE 18" RCP SHALL BE INSTALLED WITH A MINIMUM ENVELOPEMENT AREA OF 3/4" FROM THE CURB TO THE 18" RCP.
10. THE 18" RCP SHALL BE INSTALLED WITH A MINIMUM ENVELOPEMENT AREA OF 3/4" FROM THE CURB TO THE 18" RCP. THE 18" RCP SHALL BE INSTALLED WITH A MINIMUM ENVELOPEMENT AREA OF 3/4" FROM THE CURB TO THE 18" RCP.
11. THE 18" RCP SHALL BE INSTALLED WITH A MINIMUM ENVELOPEMENT AREA OF 3/4" FROM THE CURB TO THE 18" RCP. THE 18" RCP SHALL BE INSTALLED WITH A MINIMUM ENVELOPEMENT AREA OF 3/4" FROM THE CURB TO THE 18" RCP.
12. THE 18" RCP SHALL BE INSTALLED WITH A MINIMUM ENVELOPEMENT AREA OF 3/4" FROM THE CURB TO THE 18" RCP. THE 18" RCP SHALL BE INSTALLED WITH A MINIMUM ENVELOPEMENT AREA OF 3/4" FROM THE CURB TO THE 18" RCP.
13. THE 18" RCP SHALL BE INSTALLED WITH A MINIMUM ENVELOPEMENT AREA OF 3/4" FROM THE CURB TO THE 18" RCP. THE 18" RCP SHALL BE INSTALLED WITH A MINIMUM ENVELOPEMENT AREA OF 3/4" FROM THE CURB TO THE 18" RCP.
14. THE 18" RCP SHALL BE INSTALLED WITH A MINIMUM ENVELOPEMENT AREA OF 3/4" FROM THE CURB TO THE 18" RCP. THE 18" RCP SHALL BE INSTALLED WITH A MINIMUM ENVELOPEMENT AREA OF 3/4" FROM THE CURB TO THE 18" RCP.
15. THE 18" RCP SHALL BE INSTALLED WITH A MINIMUM ENVELOPEMENT AREA OF 3/4" FROM THE CURB TO THE 18" RCP. THE 18" RCP SHALL BE INSTALLED WITH A MINIMUM ENVELOPEMENT AREA OF 3/4" FROM THE CURB TO THE 18" RCP.
16. THE 18" RCP SHALL BE INSTALLED WITH A MINIMUM ENVELOPEMENT AREA OF 3/4" FROM THE CURB TO THE 18" RCP. THE 18" RCP SHALL BE INSTALLED WITH A MINIMUM ENVELOPEMENT AREA OF 3/4" FROM THE CURB TO THE 18" RCP.
17. THE 18" RCP SHALL BE INSTALLED WITH A MINIMUM ENVELOPEMENT AREA OF 3/4" FROM THE CURB TO THE 18" RCP. THE 18" RCP SHALL BE INSTALLED WITH A MINIMUM ENVELOPEMENT AREA OF 3/4" FROM THE CURB TO THE 18" RCP.
18. THE 18" RCP SHALL BE INSTALLED WITH A MINIMUM ENVELOPEMENT AREA OF 3/4" FROM THE CURB TO THE 18" RCP. THE 18" RCP SHALL BE INSTALLED WITH A MINIMUM ENVELOPEMENT AREA OF 3/4" FROM THE CURB TO THE 18" RCP.
19. THE 18" RCP SHALL BE INSTALLED WITH A MINIMUM ENVELOPEMENT AREA OF 3/4" FROM THE CURB TO THE 18" RCP. THE 18" RCP SHALL BE INSTALLED WITH A MINIMUM ENVELOPEMENT AREA OF 3/4" FROM THE CURB TO THE 18" RCP.
20. THE 18" RCP SHALL BE INSTALLED WITH A MINIMUM ENVELOPEMENT AREA OF 3/4" FROM THE CURB TO THE 18" RCP. THE 18" RCP SHALL BE INSTALLED WITH A MINIMUM ENVELOPEMENT AREA OF 3/4" FROM THE CURB TO THE 18" RCP.
21. THE 18" RCP SHALL BE INSTALLED WITH A MINIMUM ENVELOPEMENT AREA OF 3/4" FROM THE CURB TO THE 18" RCP. THE 18" RCP SHALL BE INSTALLED WITH A MINIMUM ENVELOPEMENT AREA OF 3/4" FROM THE CURB TO THE 18" RCP.
22. THE 18" RCP SHALL BE INSTALLED WITH A MINIMUM ENVELOPEMENT AREA OF 3/4" FROM THE CURB TO THE 18" RCP. THE 18" RCP SHALL BE INSTALLED WITH A MINIMUM ENVELOPEMENT AREA OF 3/4" FROM THE CURB TO THE 18" RCP.
23. THE 18" RCP SHALL BE INSTALLED WITH A MINIMUM ENVELOPEMENT AREA OF 3/4" FROM THE CURB TO THE 18" RCP. THE 18" RCP SHALL BE INSTALLED WITH A MINIMUM ENVELOPEMENT AREA OF 3/4" FROM THE CURB TO THE 18" RCP.
24. THE 18" RCP SHALL BE INSTALLED WITH A MINIMUM ENVELOPEMENT AREA OF 3/4" FROM THE CURB TO THE 18" RCP. THE 18" RCP SHALL BE INSTALLED WITH A MINIMUM ENVELOPEMENT AREA OF 3/4" FROM THE CURB TO THE 18" RCP.
25. THE 18" RCP SHALL BE INSTALLED WITH A MINIMUM ENVELOPEMENT AREA OF 3/4" FROM THE CURB TO THE 18" RCP. THE 18" RCP SHALL BE INSTALLED WITH A MINIMUM ENVELOPEMENT AREA OF 3/4" FROM THE CURB TO THE 18" RCP.
26. THE 18" RCP SHALL BE INSTALLED WITH A MINIMUM ENVELOPEMENT AREA OF 3/4" FROM THE CURB TO THE 18" RCP. THE 18" RCP SHALL BE INSTALLED WITH A MINIMUM ENVELOPEMENT AREA OF 3/4" FROM THE CURB TO THE 18" RCP.
27. THE 18" RCP SHALL BE INSTALLED WITH A MINIMUM ENVELOPEMENT AREA OF 3/4" FROM THE CURB TO THE 18" RCP. THE 18" RCP SHALL BE INSTALLED WITH A MINIMUM ENVELOPEMENT AREA OF 3/4" FROM THE CURB TO THE 18" RCP.
28. THE 18" RCP SHALL BE INSTALLED WITH A MINIMUM ENVELOPEMENT AREA OF 3/4" FROM THE CURB TO THE 18" RCP. THE 18" RCP SHALL BE INSTALLED WITH A MINIMUM ENVELOPEMENT AREA OF 3/4" FROM THE CURB TO THE 18" RCP.
29. THE 18" RCP SHALL BE INSTALLED WITH A MINIMUM ENVELOPEMENT AREA OF 3/4" FROM THE CURB TO THE 18" RCP. THE 18" RCP SHALL BE INSTALLED WITH A MINIMUM ENVELOPEMENT AREA OF 3/4" FROM THE CURB TO THE 18" RCP.
30. THE 18" RCP SHALL BE INSTALLED WITH A MINIMUM ENVELOPEMENT AREA OF 3/4" FROM THE CURB TO THE 18" RCP. THE 18" RCP SHALL BE INSTALLED WITH A MINIMUM ENVELOPEMENT AREA OF 3/4" FROM THE CURB TO THE 18" RCP.
31. THE 18" RCP SHALL BE INSTALLED WITH A MINIMUM ENVELOPEMENT AREA OF 3/4" FROM THE CURB TO THE 18" RCP. THE 18" RCP SHALL BE INSTALLED WITH A MINIMUM ENVELOPEMENT AREA OF 3/4" FROM THE CURB TO THE 18" RCP.
32. THE 18" RCP SHALL BE INSTALLED WITH A MINIMUM ENVELOPEMENT AREA OF 3/4" FROM THE CURB TO THE 18" RCP. THE 18" RCP SHALL BE INSTALLED WITH A MINIMUM ENVELOPEMENT AREA OF 3/4" FROM THE CURB TO THE 18" RCP.
33. THE 18" RCP SHALL BE INSTALLED WITH A MINIMUM ENVELOPEMENT AREA OF 3/4" FROM THE CURB TO THE 18" RCP. THE 18" RCP SHALL BE INSTALLED WITH A MINIMUM ENVELOPEMENT AREA OF 3/4" FROM THE CURB TO THE 18" RCP.
34. THE 18" RCP SHALL BE INSTALLED WITH A MINIMUM ENVELOPEMENT AREA OF 3/4" FROM THE CURB TO THE 18" RCP. THE 18" RCP SHALL BE INSTALLED WITH A MINIMUM ENVELOPEMENT AREA OF 3/4" FROM THE CURB TO THE 18" RCP.
35. THE 18" RCP SHALL BE INSTALLED WITH A MINIMUM ENVELOPEMENT AREA OF 3/4" FROM THE CURB TO THE 18" RCP. THE 18" RCP SHALL BE INSTALLED WITH A MINIMUM ENVELOPEMENT AREA OF 3/4" FROM THE CURB TO THE 18" RCP.
36. THE 18" RCP SHALL BE INSTALLED WITH A MINIMUM ENVELOPEMENT AREA OF 3/4" FROM THE CURB TO THE 18" RCP. THE 18" RCP SHALL BE INSTALLED WITH A MINIMUM ENVELOPEMENT AREA OF 3/4" FROM THE CURB TO THE 18" RCP.
37. THE 18" RCP SHALL BE INSTALLED WITH A MINIMUM ENVELOPEMENT AREA OF 3/4" FROM THE CURB TO THE 18" RCP. THE 18" RCP SHALL BE INSTALLED WITH A MINIMUM ENVELOPEMENT AREA OF 3/4" FROM THE CURB TO THE 18" RCP.
38. THE 18" RCP SHALL BE INSTALLED WITH A MINIMUM ENVELOPEMENT AREA OF 3/4" FROM THE CURB TO THE 18" RCP. THE 18" RCP SHALL BE INSTALLED WITH A MINIMUM ENVELOPEMENT AREA OF 3/4" FROM THE CURB TO THE 18" RCP.
39. THE 18" RCP SHALL BE INSTALLED WITH A MINIMUM ENVELOPEMENT AREA OF 3/4" FROM THE CURB TO THE 18" RCP. THE 18" RCP SHALL BE INSTALLED WITH A MINIMUM ENVELOPEMENT AREA OF 3/4" FROM THE CURB TO THE 18" RCP.
40. THE 18" RCP SHALL BE INSTALLED WITH A MINIMUM ENVELOPEMENT AREA OF 3/4" FROM THE CURB TO THE 18" RCP. THE 18" RCP SHALL BE INSTALLED WITH A MINIMUM ENVELOPEMENT AREA OF 3/4" FROM THE CURB TO THE 18" RCP.

719-017-02
PRECONSTRUCTION SUPPORT ENGINEER
 SOUTH CAROLINA PROFESSIONAL ENGINEERING BOARD
 NO. 8858
 LEWIS SYLVESTER
 MARCH 3, 2008

719-017-01
PRECONSTRUCTION SUPPORT ENGINEER
 SOUTH CAROLINA PROFESSIONAL ENGINEERING BOARD
 NO. 8858
 LEWIS SYLVESTER
 MARCH 3, 2008

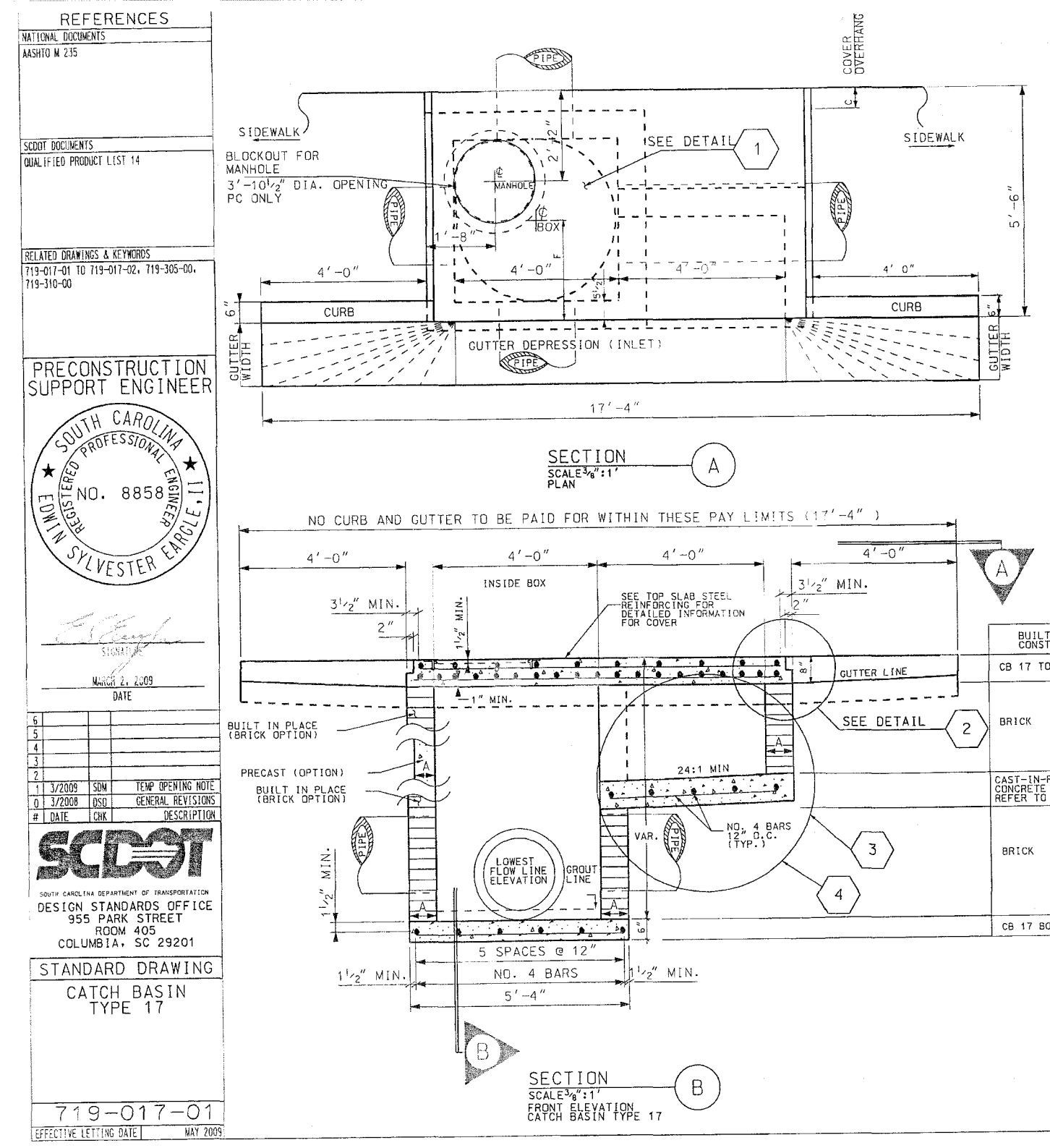


TABLE 719-017A

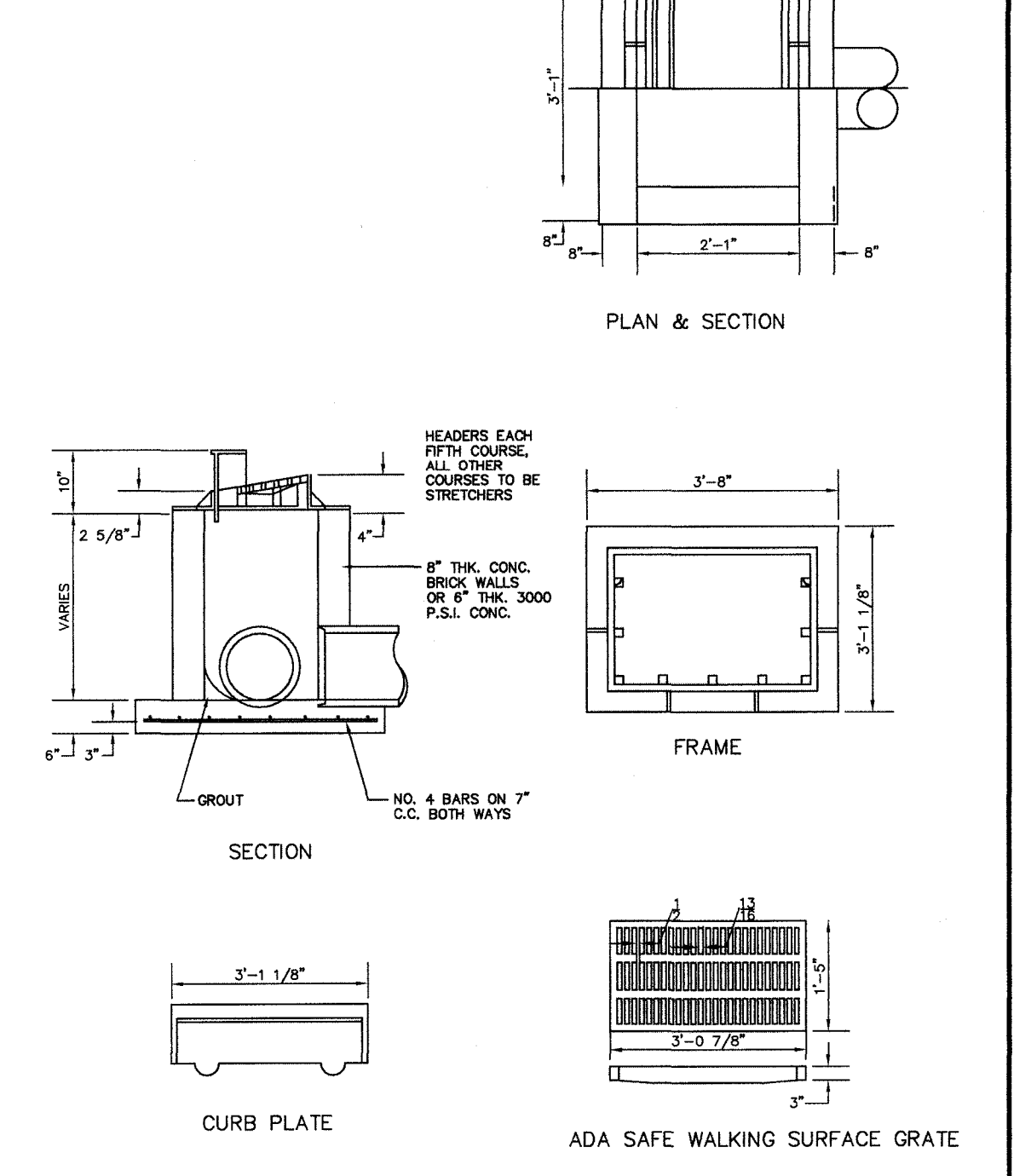
DIMENSION/IN PLACE CONSTRUCTION	PRECAST CONSTRUCTION
1. CURB	3" CONCRETE
2. GUTTER	18" RCP
3. HOOD & GRATE	TYPE 17
4. TOP MAT	CONCRETE
5. BOTTOM MAT	CONCRETE

CONTRACTOR MAY USE A COMBINATION OF BUILT IN PLACE AND PRECAST COMPONENTS AS APPROVED BY THE RESIDENT.

ALL CHINESE CHARACTERS SHALL BE TRANSLATED TO ENGLISH.

CONTRACTOR SHALL FOLLOW THE MANUFACTURER'S INSTRUCTIONS FOR THE INSTALLATION OF THE FRAME AND CURB & GUTTER.

CONTRACTOR SHALL PROVIDE A SAFE WALKING SURFACE FOR THE HOOD & GRATE.

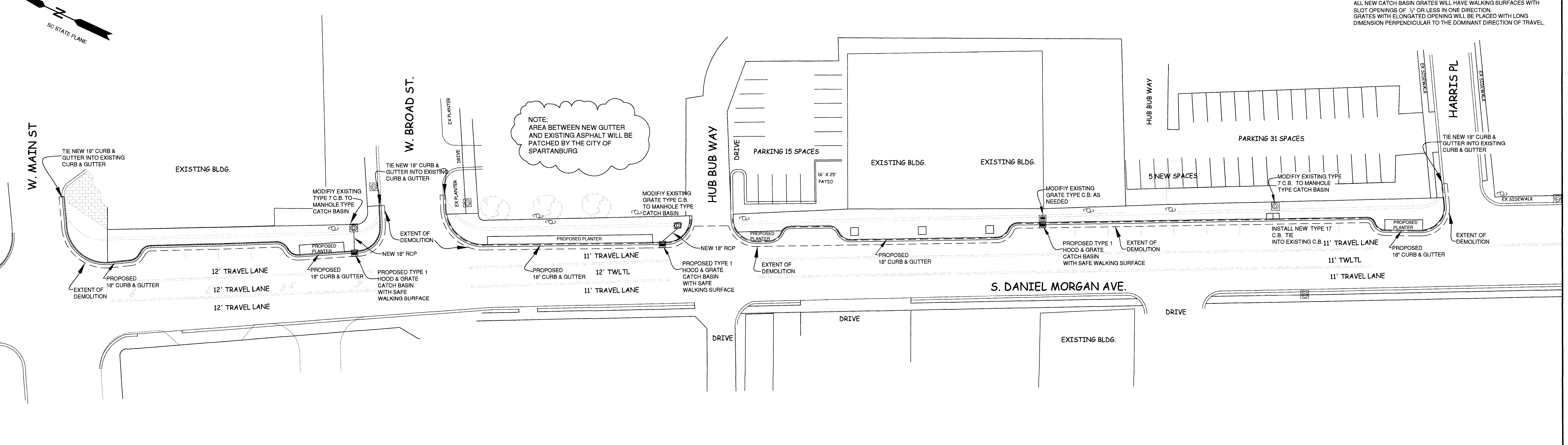


HOOD AND GRATE CATCH BASIN DETAIL NOT TO SCALE

NOTES:

- WHERE STRUCTURE DEPTH EXCEEDS 8'-0" FROM FINISHED GRADE, STEPS ARE TO BE PLACED IN STRUCTURE.
- CONCRETE SHALL BE 3000 PSI.
- CASTING FOR THE FRAME AND GRATE TO BE SUMMITER MACHINERY CO. CBF-52, CBG-51 AND CBH-52 OR EQUAL.

NOTE:
 ALL NEW CATCH BASIN GRATES WILL HAVE WALKING SURFACES WITH SLOT OPENINGS OF 1/2" OR LESS IN ONE DIRECTION. GRATES WITH ELONGATED OPENINGS WILL BE PLACED WITH LONG DIMENSION PERPENDICULAR TO THE DOMINANT DIRECTION OF TRAVEL.



Drawn By	T CARTER	1	
Checked By			
App'd By			
Date	2/12/16		

CITY OF SPARTANBURG ENGINEERING DIVISION

**DANIEL MORGAN AVENUE
 STREETSCAPE PROJECT
 CURB & GUTTER / STORM DRAINAGE
 DRAWING**

Project No.		Dwg. No.	
Scale :	1" = 30'		