

Wayland Union Schools  
850 E. Superior Street  
Wayland, MI 49348



REQUEST FOR PROPOSALS  
For  
High School Gymnasium Floor (0311-21)  
Addendum No 1

|                       |                         |
|-----------------------|-------------------------|
| Open Date:            | March 11, 2021          |
| Pre-Bid (Encouraged): | March 18, 2021 – 9 a.m. |
| Submittal Deadline:   | April 13, 2021 – 2 p.m. |
| To Begin:             | July 1, 2021            |

**1.1 Purpose (Scope) of Project:**

**Project Addition:** 11. The district intends to purchase six (6) Schelde Sports 4” Floor Sleeves and Brass covers for three (3) volleyball court setups. Awarded vendor must prepare the new floor below grade, at grade, and at floor level, floor must be prepped to accept the floor sleeves and brass covers as spec’d by Schelde Sports and installed (sleeves and brass provided by the district) by the vendor who is awarded the RFP. Please see Schelde Sports’ shop drawing (Exhibit C and D) as provided for RFP pricing. Location to be where current pole sleeves are located.

**2.4. Contractor Responsibilities: Omission Error:** 2.4.9. Removal of bleachers for install and putting back the bleachers post install. To be included in pricing of total project.

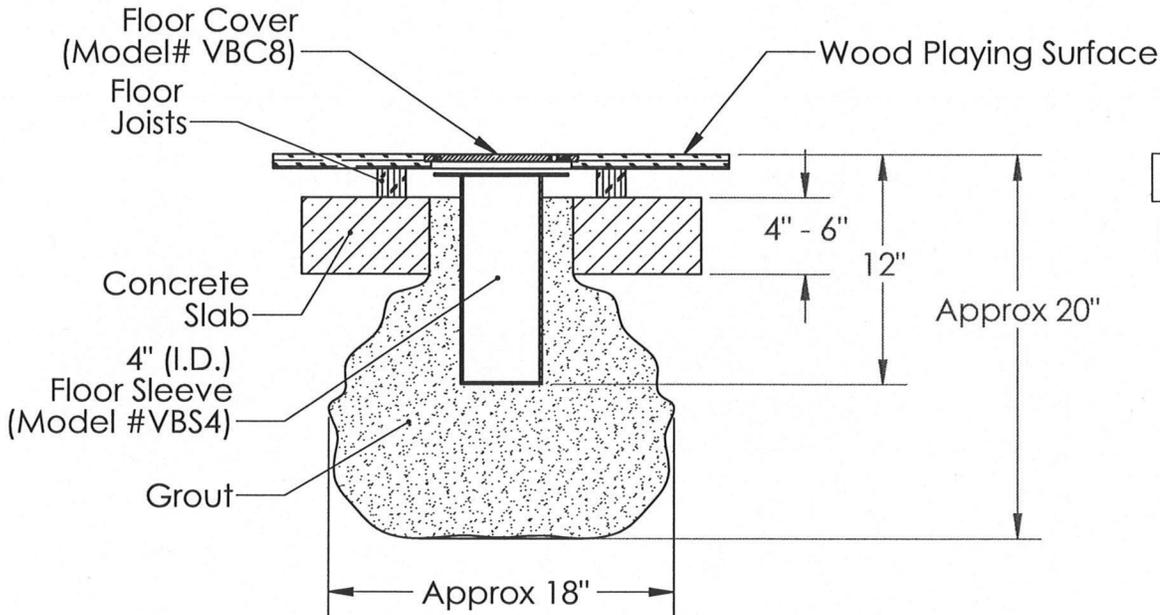


Exhibit C

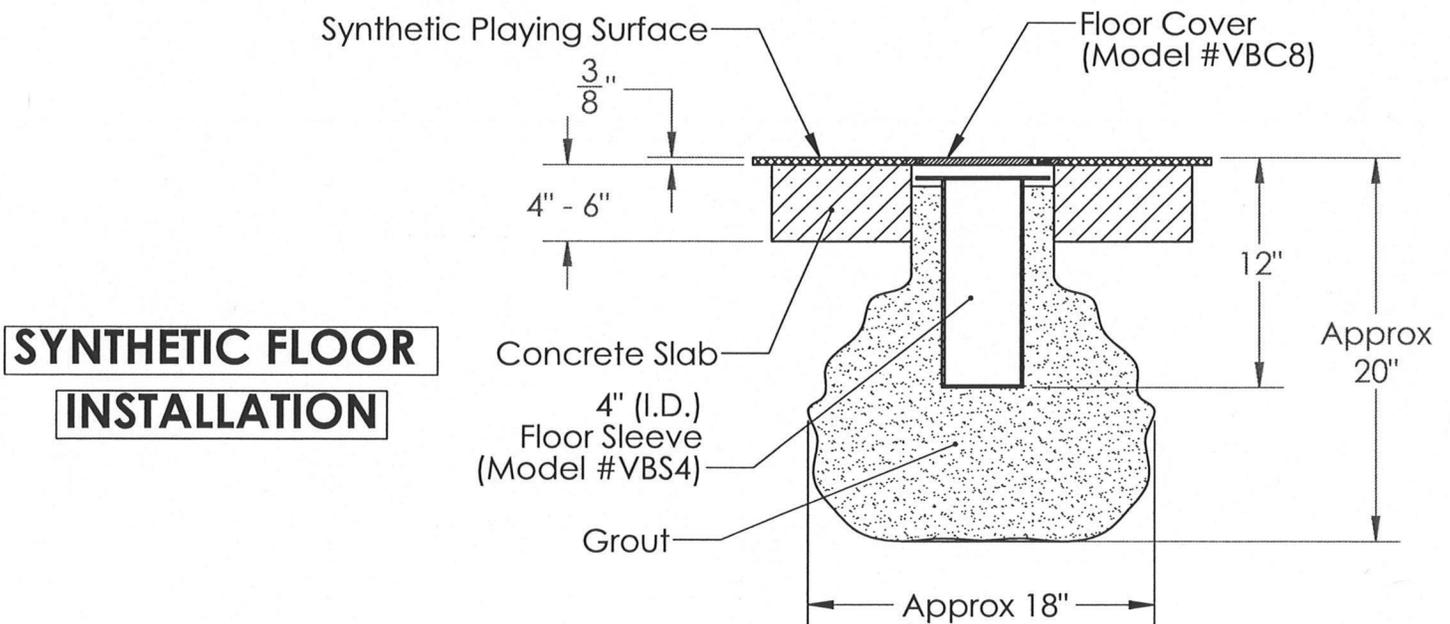
# Schelde Sports

Superior by Design

## 4" VOLLEYBALL FLOOR SLEEVE & COVER INSTALLED



**WOOD FLOOR  
INSTALLATION**



**SYNTHETIC FLOOR  
INSTALLATION**

Exhibit D



833.724.3533 | ScheideSports.us

2119 Old U.S. 27 S. Ste. C • St. Johns, MI 48879

## Specifications for Scheide Sports 4" Floor Sleeve and Brass Cover

### Model VBC8 BRASS HINGED COVER

Cover plate shall be brass alloy with attached hinged cover. Cover shall include 4 holes in ring for screw attachment to floor which shall be concealed under cover when closed. Exposed mounting screws shall be deemed unacceptable. Cover shall be connected to floor only to allow for floating floor to move independent of the floor sleeve. Overall thickness shall be 3/8". Clear opening shall be 6" diameter. Overall diameter shall be 8".

### Model VBS4 FLOOR SLEEVE

Aluminum Sleeve shall be 12" long. Inside diameter shall be 4".