



St. Johns River Water Management District

Michael A. Register, P.E., Executive Director

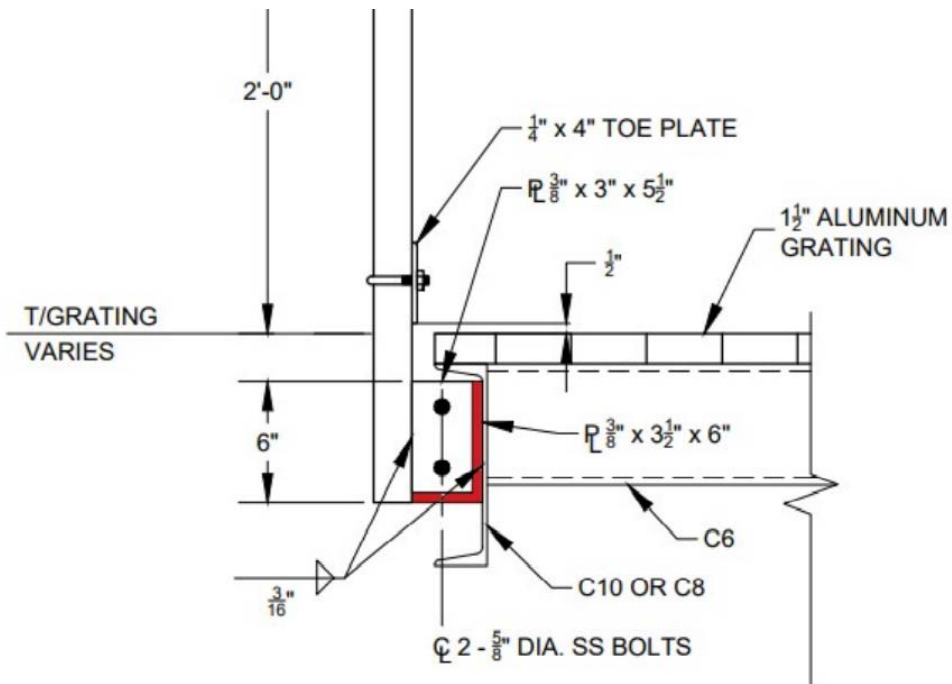
525 Community College Parkway S.E. • Palm Bay, FL 32909 • 321-984-4940 • www.sjrwmd.com

DATE: November 1, 2021
TO: Prospective Respondents
FROM: Amy Lucey, Procurement Specialist
SUBJECT: Addendum #1 to Invitation For Bid, # 37379, Fabricate/Manufacture New Walkway Platforms

As a result of inquiries, the following clarifications/changes are provided for your information. Please make all appropriate changes to your proposal documents. Note: changes are reflected with original language shown with strike-through and new language is underlined.

- Q1: Per the description on the first page of specification. It only mentions the H-Piles and platforms. Who is installing? Drawings show a concrete base. Is there existing concrete bases to be used? Who is providing?
- A1: Per the SOW under Section II Objective, installation of the walkways is not part of this request. Installation will be handled under a separate contract. Under Section IV Task Identification, Item 4 the walkway footer is not part of this project. The concrete footers will be provided under the installation contract.
- Q2: Drawings show field welding to the piles. Who is welding?
- A2: Again, installation is not part of this contract, the contractor responsible for installing the walkways will be responsible for welding to the piles.
- Q3: The scope lists ask for (4) 30 foot and (1) 40 foot H-Pile(s) Does this mean you want the set of beams not just the one H-beam? Sheet S4 of the drawing set shows 2 each beams with a 4-6 bridging H-beam. Are you asking for (4 sets) 30 foot and (1 set) 40 foot? Or just 4 ea 30 foot beams and 1 ea 40 foot beam?
- A3: We are only requesting four (4) 30-foot and one (1) 40-foot H-piles be provided under this contract. The District has adequate H-piles from a previous project to supplement the remaining need.
The hardware for the swing gate is all aluminum, with the exception of the pin for the hinge which is stainless steel. Each hinge section is 2.5" (5-inches total) and the padlock is 4" by 3" (see attached photos).
- Q4: I also was not able to find any specifics for the swing gate hardware?
- A4: The hardware for the swing gate is all aluminum, with the exception of the pin for the hinge which is stainless steel. Each hinge section is 2.5" (5-inches total) and the padlock is 4" by 3" (see attached photos). The overall size of the swing gate is roughly 48" by 18". These dimensions can be variable as shown by attached photo.

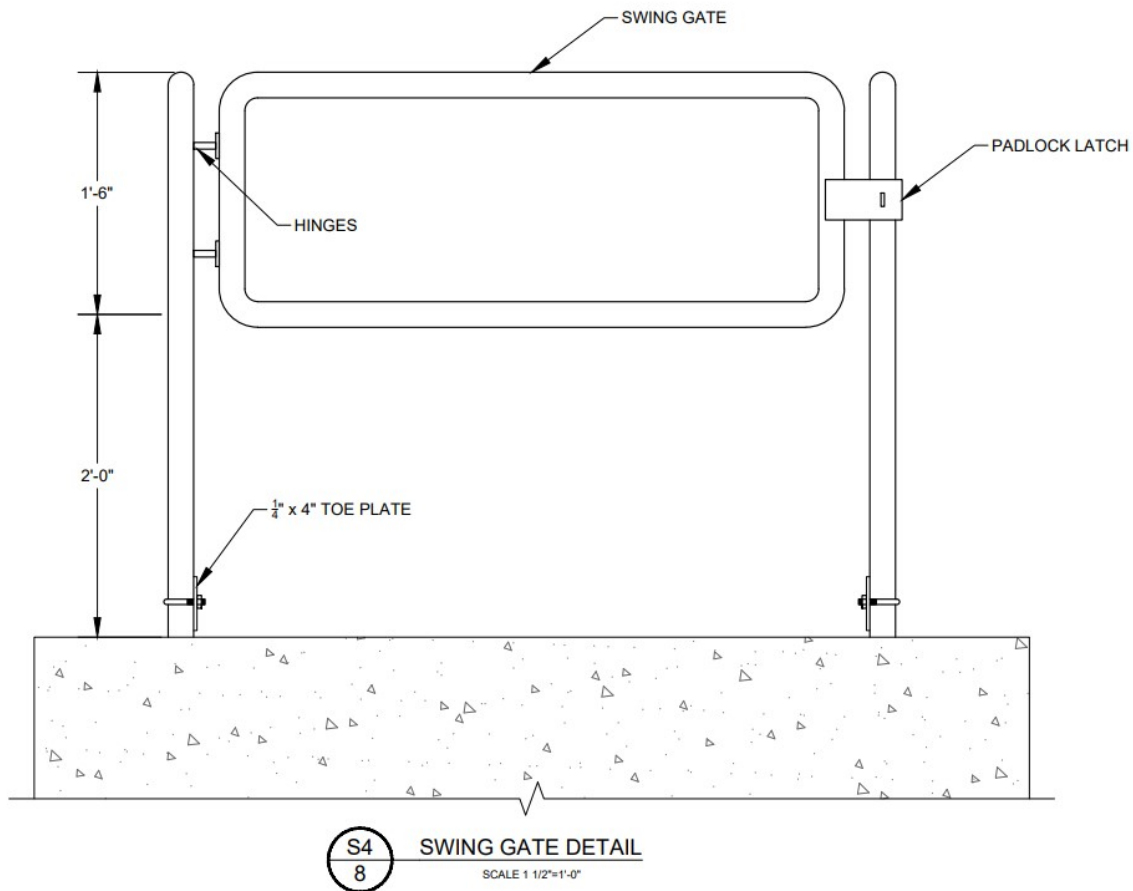
Q5: The highlighted red piece looks like an angle but is pointed to as a plate. The weld for the tubing to the TAB with 2 holes is clear... the weld from the angle to the channel piece is clear... but there is no weld symbol shown for the angle to the TAB (what is it?)



(S4) / 4 HANDRAIL DETAIL
NOT TO SCALE

A5: Please see answer 2 above.

Q6: for the SWING GATE what are the dimensions for the padlock and what is the material? For the hinges, what are the dimensions and material? How many swing gates are there per walkway? (total)



A6: Please see answer 4 above and attached photos.

Q7: Which way do you want the bearing bars directed? Normally, in this case they would go across the 4" width of the platform. However, the hatch shows the bars running the length of the platform. This has an extreme price difference. Please verify the direction of the bearing bars.

A7: The orientation of the grating on the drawing is graphical only, the bearing bars should orient across the width of the platform.

Attachments:

Swing Gate Photos – Walkway Fabrication.

NOTE: The Proposal Due Date **remains** 2:00 p.m., **Thursday, November 18, 2021.**

Please acknowledge receipt of this Addendum on the Bid FORM provided in the proposal package.

If you have any questions, please e-mail me at alucey@sjrwmd.com.

Swing Gate Photos – Walkway Fabrication

