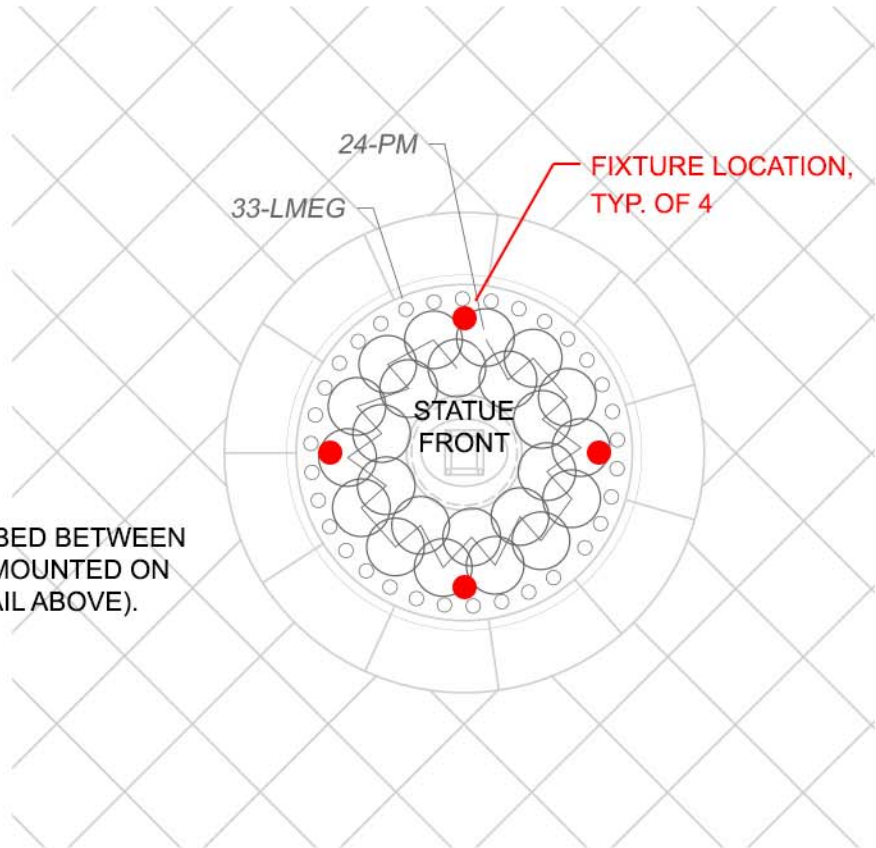
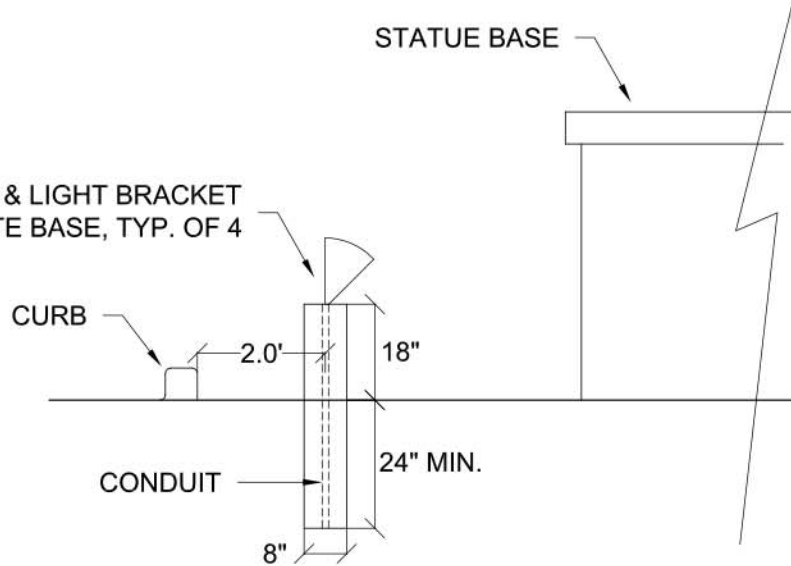


NOTE: DRAWING IS FOR REFERENCE ONLY & IS NOT GUARANTEED TO BE ACCURATE.

LIGHTING FIXTURE & LIGHT BRACKET ON 8" DIA CONCRETE BASE, TYP. OF 4



INSTALL FIXTURES IN LANDSCAPE BED BETWEEN PM & LMEG, 24" INSIDE CURB AND MOUNTED ON AN 18" CONCRETE BASE (PER DETAIL ABOVE).

FIXTURE DETAILS:

RAB LIGHTING HBLED 18W
4000K COLOR TEMP
BLACK FINISH

GODDESS OF THE SEA STATUE LIGHTING

ADDENDUM 7 - DRAWING 1

PLYLER PARK RENOVATION

PREPARED FOR THE CITY OF MYRTLE BEACH
DATE 1/12/2017
SCALE N/A
PROJECT NO 16113L

