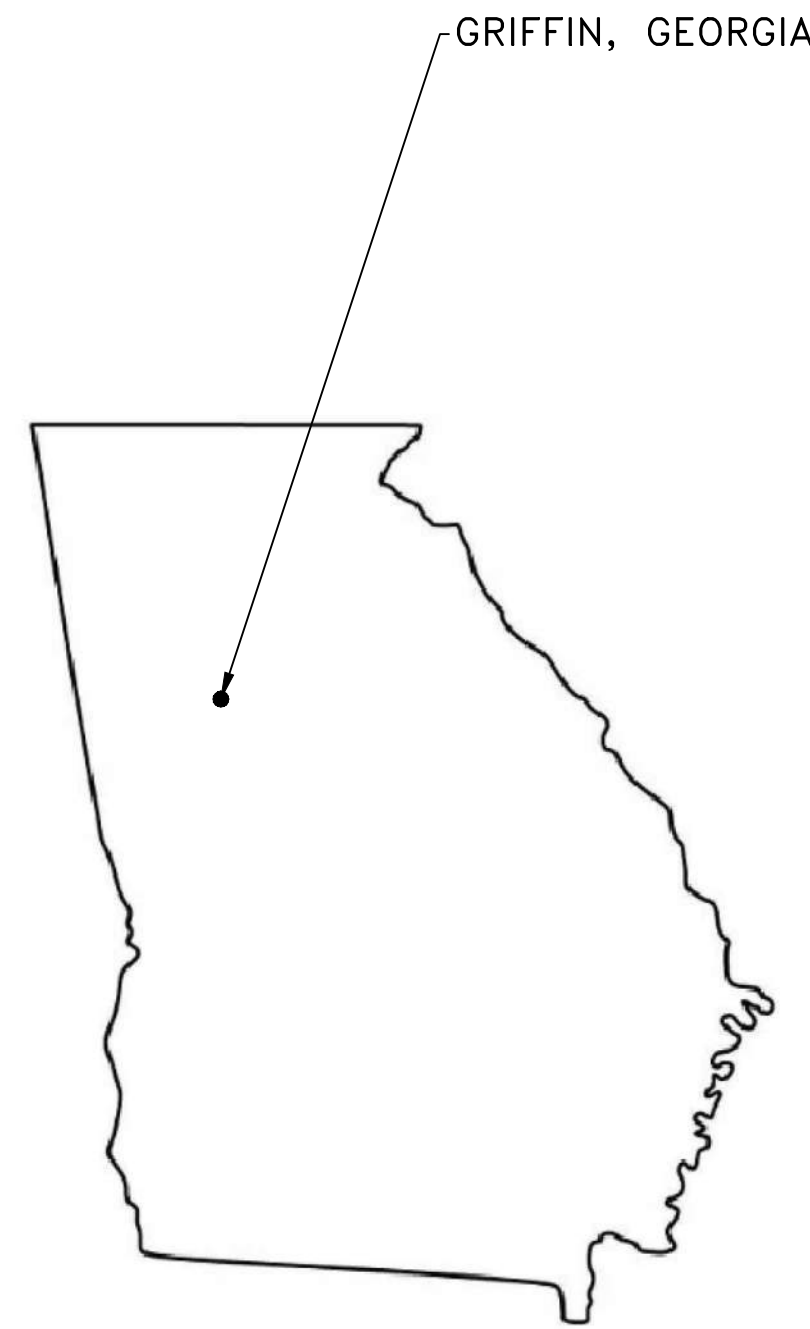


CITY OF GRIFFIN
 PARKING DECK REPAIR
 PROJECT 20-0420
 100 SOUTH HILL ST,
 GRIFFIN, GA 30223

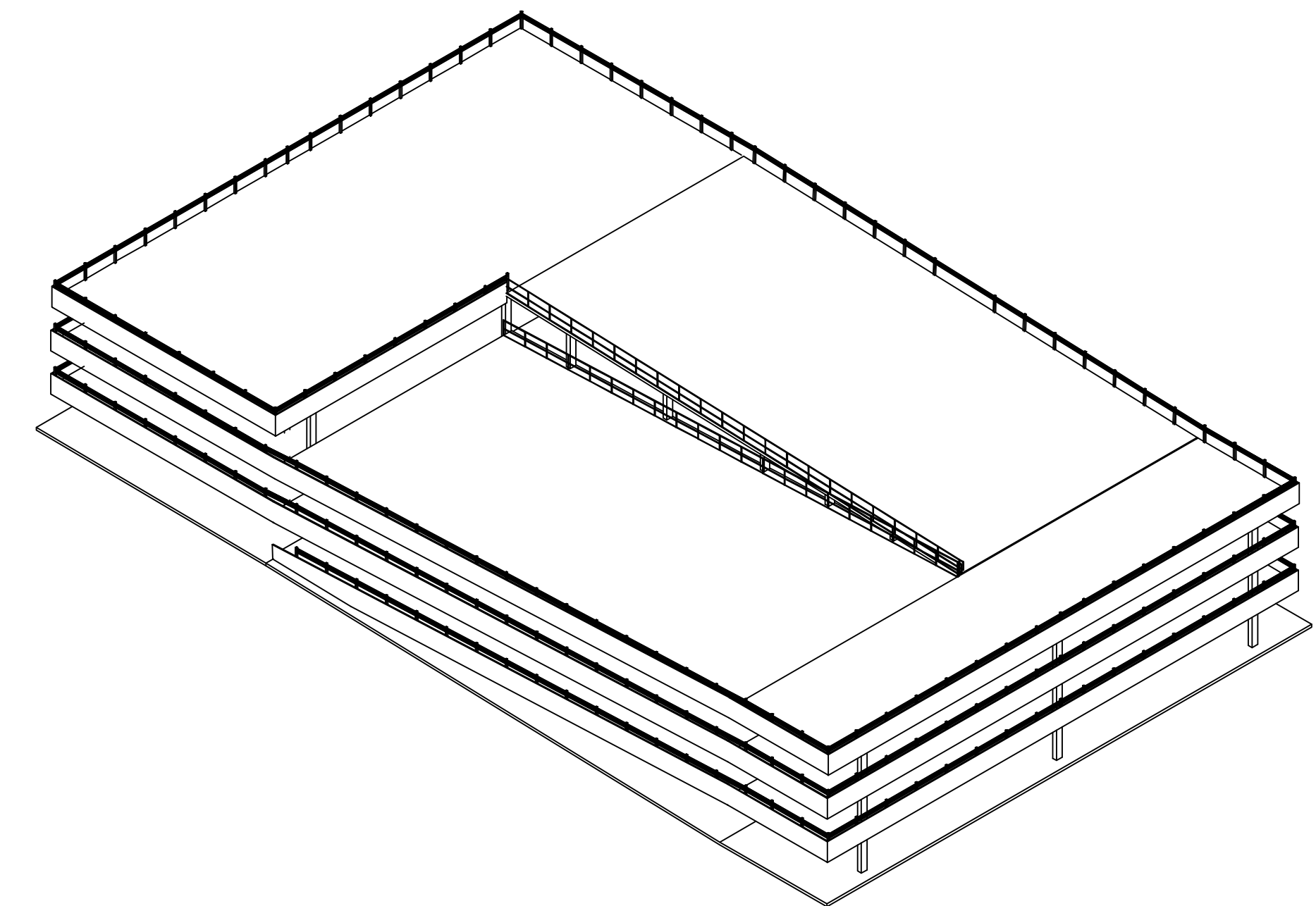


PROJECT LOCATION

DRAWING INDEX		
DRAWING NUMBER	DRAWING TITLE	REVISION
CS101	PARKING DECK REPAIR COVER SHEET & DESIGN INFORMATION	2
CS102	PARKING DECK STRUCTURAL STEEL AND GROUTING NOTES	2
SD101	PARKING DECK REPAIR DETAILS	2
SD102	PARKING DECK REPAIR DETAILS	2
SD103	PARKING DECK REPAIR DETAILS	2
SD104	PARKING DECK REPAIR DETAILS	2
SD105	PARKING DECK REPAIR DETAILS	2
SD106	PARKING DECK REPAIR DETAILS	2
SP101	PARKING DECK REPAIR LEVEL 1A PLAN	2
SP102	PARKING DECK REPAIR LEVEL 1B PLAN	2
SP103	PARKING DECK REPAIR LEVEL 2A PLAN	2
SP104	PARKING DECK REPAIR LEVEL 2B PLAN	2
SP105	PARKING DECK REPAIR LEVEL 3A PLAN	2
SP106	PARKING DECK REPAIR LEVEL 3B PLAN	2
SP107	PARKING DECK REPAIR LEVEL 4A PLAN	2
SE101	PARKING DECK REPAIR ELEVATIONS WALL 1 & 3	2
SE102	PARKING DECK REPAIR ELEVATIONS WALL 2 & 4	2
SE103	PARKING DECK REPAIR ELEVATIONS WALL 5 & 7	2
SE104	PARKING DECK REPAIR ELEVATIONS WALL 6 & 8	2
SE105	PARKING DECK REPAIR ELEVATIONS WALL 9 & 11	2
SE106	PARKING DECK REPAIR ELEVATIONS WALL 10 & 12	2
SE107	PARKING DECK REPAIR ELEVATIONS WALL 5A,B,C, 13, & 14	2

DESIGN INFORMATION

1. CODES:
 - A. INTERNATIONAL BUILDING CODE (IBC) 2018
 - B. AMERICAN CONCRETE INSTITUTE - BUILDING CODE REQUIREMENTS FOR STRUCTURAL CONCRETE (ACI 318)
 - C. AMERICAN INSTITUTE OF STEEL CONSTRUCTION - SPECIFICATION FOR STRUCTURAL STEEL BUILDINGS (AISC 360) ALLOWABLE STRENGTH DESIGN (ASD)
 - D. AMERICAN SOCIETY OF CIVIL ENGINEERS AND STRUCTURAL ENGINEERING INSTITUTE (ASCE/SEI 7) - MINIMUM DESIGN LOADS FOR BUILDINGS AND OTHER STRUCTURES
 - E. AMERICAN WELDING SOCIETY D1.1
2. DESIGN LOADS PER THE 2018 IBC (RISK CATEGORY II)
 - A. DEAD LOADS
 - STRUCTURE SELF WEIGHT - 50 PSF
 - B. LIVE LOADS
 - EXISTING PARKING DECK - 100 PSF
 - NEW GUARD RAIL LOADING - 200 PLF
 - C. WIND LOADS
 - DESIGN WIND - 120 MPH
 - EXPOSURE - C
 - D. SEISMIC DESIGN DATA
 - SEISMIC IMPORTANCE FACTOR - 1.0
 - MAPPED SPECTRAL RESPONSE ACCELERATIONS, S_s - 0.175
 - MAPPED SPECTRAL RESPONSE ACCELERATIONS, S₁ - 0.084
 - SITE CLASS - D
 - SPECTRAL RESPONSE COEFFICIENTS, S_{ds} - 0.187
 - SPECTRAL RESPONSE COEFFICIENTS, S_{d1} - 0.134
 - SEISMIC DESIGN CATEGORY - C
 - BASIC SEISMIC FORCE-RESISTING SYSTEM: STEEL SYSTEMS NOT SPECIFICALLY DETAILED FOR SEISMIC RESISTANCE
 - DESIGN BASE SHEAR, V = C_s x W - VARIES PER PLATFORM
 - SEISMIC RESPONSE COEFFICIENT, C_s - 0.062
 - RESPONSE MODIFICATION FACTOR, R - 3
 - ANALYSIS PROCEDURE: - EQUIVALENT LATERAL FORCE
 - E. DEFLECTION CRITERIA
 - a. FLOOR LIVE LOAD - L/240



ISOMETRIC VIEW



12-24-21

△ - REVISION SYMBOL

NO	DATE	REVISION/DESCRIPTION	PROJECT INFORMATION	
			PROJECT:	GRIFFIN PARKING DECK REPAIR
A	06/04/2021	ISSUED FOR APPROVAL	LOCATION:	GRIFFIN, GA
0	08/19/2021	ISSUED FOR CONSTRUCTION	CLIENT:	CITY OF GRIFFIN
1	09/13/2021	ISSUED FOR CONSTRUCTION	ENGINEER:	IMMEC, INC
2	12/24/2021	ISSUED FOR RECORD	ARCHITECT:	NA

IMMEC
 INC.

PO BOX 1066
 SOCIAL CIRCLE, GEORGIA 30025

CITY OF GRIFFIN PARKING GARAGE REPAIR
 STRUCTURAL STEEL
 COVER SHEET & DESIGN INFORMATION

DRAWN BY	CHECKED BY	JOB NO	DRAWING NO
SGR	WAT	21-0420	CS101
DATE	DATE	PROJ.NO	
03/19/2021	03/19/2021		

STRUCTURAL STEEL

1. STRUCTURAL STEEL SHALL CONFORM TO THE REFERENCED EDITION OF THE AISC "SPECIFICATION FOR STRUCTURAL STEEL BUILDINGS".
2. STRUCTURAL STEEL MATERIAL STANDARDS
 - WIDE FLANGE SECTIONS - ASTM A992 - Fy = 50 KSI
 - ANGLES, CHANNELS & PLATES - ASTM A36 - Fy = 36 KSI
 - SQUARE AND RECTANGULAR HSS - ASTM A500, GR C - Fy = 50 KSI
 - STAINLESS STEEL HSS - ASTM A276 304 - Fy = 30 KSI
 - STAINLESS STEEL S-SHAPES - ASTM A276 - Fy = 30 KSI
 - CAP AND BASE PLATE - ASTM A36 - Fy = 36 KSI
 - GUSSET PLATES - ASTM A36 - Fy = 36 KSI
 - STIFFENER PLATES - ASTM A36 - Fy = 36 KSI
 - CONNECTION PLATES AND ANGLES - ASTM A36 - Fy = 36 KSI
3. STRUCTURAL STEEL CONNECTION STANDARDS:
 - HIGH STRENGTH BOLTS - ASTM F3125 - GRADE A325
 - TENSION CONTROL BOLT/NUT/WASHER - ASTM F1852
 - HEAVY HEX NUT - ASTM A563
 - WASHERS - ASTM F436
 - ANCHOR RODS - ASTM F1554 - GRADE 36
 - HEADED WELDED STUDS - ASTM A108 - TYPE B
 - HEADED WELDED STAINLESS STEEL STUDS - ASTM A276
 - WELDING ELECTRODES (CARBON STEEL) - AWS 5.1, E70XX
 - WELDING ELECTRODES (STAINLESS STEEL) - AWS D1.6
 - *ALL STRUCTURAL MEMBERS NOTED AS STAINLESS SHALL BE 304L UNLESS NOTED OTHERWISE
 - STAINLESS TO STAINLESS WELDS SHALL UTILIZE 308L FILLER.
 - STAINLESS TO MILD CARBON STEEL SHALL UTILIZE 309L FILLER; STAINLESS TO MILD CARBON STEEL CONNECTIONS SHALL BE CLADDED (BUTTERED) WITH 309L FILLER PRIOR TO WELDING.
 - ALL STAINLESS STEEL WELDS SHALL BE POLISHED, GUARDRAIL AND HANDRAILS POLISHED TO A CONSISTENT #4 APPEARANCE AND STRUCTURAL STEEL MEMBERS LIGHTLY POLISHED; MILL FINISH SHALL BE REMOVED. COORDINATE FINAL APPEARANCE WITH OWNERS REPRESENTATIVE.
4. WELDING SHALL BE IN ACCORDANCE WITH STRUCTURAL WELDING CODE, AWS D1.1, LATEST EDITION, AND SHALL BE PERFORMED BY CERTIFIED WELDERS ONLY USING PROPER ELECTRODES FOR MATERIAL BEING WELDED. PROVIDE WELD SIZE IN ACCORDANCE WITH AISC SPECIFICATIONS, BUT NOT LESS THAN 3/16" FILLET, CONTINUOUS UNLESS OTHERWISE NOTED
5. ALL HIGH STRENGTH BOLTS SHALL BE INSTALLED IN ACCORDANCE WITH RCSC - "SPECIFICATION FOR STRUCTURAL JOINTS USING ASTM A325 OR A490 BOLTS." SEE DRAWINGS FOR BOLTS SIZES. USE 3/4" DIAMETER, A325 BOLTS UNLESS NOTED OTHERWISE.
6. WHEN TENSION CONTROL BOLTS ARE INDICATED "TC" ON THE DRAWINGS, PROVIDE HIGH STRENGTH "TENSION CONTROLLED" BOLTS MEETING ASTM F1852, TYPE 1.
7. ALL BOLTED CONNECTIONS ARE BEARING TYPE, UNLESS INDICATED AS TENSION CONTROLLED (TC) OR SLIP CRITICAL (SC). PROVIDE STANDARD HOLES FOR BEARING TYPE CONNECTION WHICH ARE 1/16" WIDER DIAMETER THAN THE BOLT.
8. THERE SHALL BE NO FIELD CUTTING OF STRUCTURAL STEEL MEMBERS FOR THE WORK OF OTHER TRADES WITHOUT PRIOR WRITTEN APPROVAL OF THE STRUCTURAL ENGINEER OF RECORD.
9. MAINTAIN ERECTION TOLERANCES OF STRUCTURAL STEEL WITHIN AISC 303, "CODE OF STANDARD PRACTICE FOR STEEL BUILDINGS AND BRIDGES."
10. DO NOT ENLARGE MISALIGNED BOLT HOLES BY BURNING OR THERMAL CUTTING. REAM HOLES THAT MUST BE ENLARGED TO INSTALL BOLTS.

GALVANIZING

1. STEEL SURFACES TO BE GALVANIZED SHALL BE CLEANED IN ACCORDANCE WITH SSPC SP-6, COMMERCIAL BLAST.
2. AFTER COMPLETING ERECTION ALL AREAS DAMAGED SHALL BE REPAIRED, CLEANED AND TOUCH UP GALVANIZED.

Location	Parking Level	Location Description	Description of Damage	Description of Repair
Various	Various	See Separate List	Grout Needed @ Existing Steel Plate Repair	Grout
J-2 to K-2	2	Concrete Beam	Damage to Double Tee Supports on Beam	New Reinforcing Plate & Bolt
Near K-1	1	S-W Corner	Fascia Panel has Been Impacted & Bent	New support Plate & Bolts
Various	Various	Face of Column	Exposed Rebar @ Beam Connection to Column	Patch Concrete
F-1	1	South Face	Exposed Rebar @ Beam Connection to Column	New Anchor Angle & Bolts
G-1	1	North Face	Exposed Rebar @ Beam Connection to Column	New Anchor Angle & Bolts
Facia Panels	Various	All Around Perimeter	Car Impact May Break Panel Loose	New Anchor Angle & Bolts
Facia Panels	Various	All Around Perimeter	Top of Fascia Panels are too Low	Add 12" of 1/4" Wire Handrail

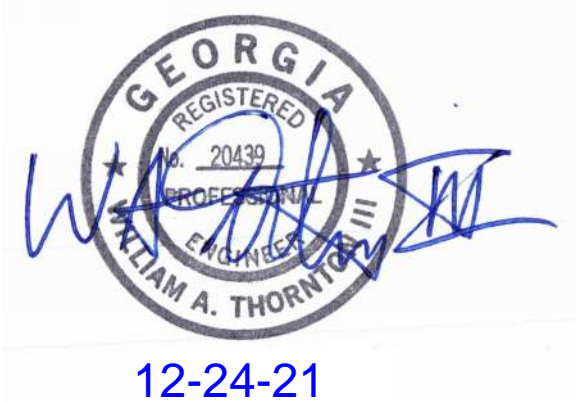
REPAIR LOCATIONS

GROUTING

1. THE GENERAL CONTRACTOR SHALL BE RESPONSIBLE FOR GROUTING UNDER ALL COLUMN BASE PLATES. STEEL ERECTOR SHALL NOTIFY THE GENERAL CONTRACTOR WHEN COLUMN BASE PLATES REQUIRE GROUT.
2. UNLESS OTHERWISE NOTED, BASE PLATES SHALL BE SHIMMED WITH STEEL SHIMS OR WEDGES BEFORE GROUTING. BACK-OFF ALL LEVELING NUTS PRIOR TO GROUTING.
3. GROUTING SHALL TAKE PLACE IMMEDIATELY AFTER THE FIRST TIER FRAMING HAS BEEN PLUMBED AND BOLTED.
4. GROUT SHALL BE A NONSHRINK, NONCORROSIVE, NONSTAINING, (NONMETALLIC) GROUT AND SHALL BE A PREMIXED, PACKAGED TYPE, INSTALLED IN STRICT ACCORDANCE WITH THE MANUFACTURER'S DIRECTIONS. GROUT SHALL HAVE A MINIMUM COMPRESSIVE STRENGTH OF 5,000 PSI AT 7 DAYS / 8000 PSI AT 28 DAYS.

Columns That Need Grout	Level
H-2	1
G-2	1
I-2	1
J-2	1
K-2	1
D-2	2
E-2	2
F-2	2
H-2	2
G-2	2
I-2	2
J-2	2
K-2	2
K-3	2
A-2	3
B-1	3
B-2	3
B-3	3
D-2	3

GROUT LOCATIONS



△ - REVISION SYMBOL

NO	DATE	REVISION/DESCRIPTION	PROJECT INFORMATION	
			PROJECT:	PROJECT INFORMATION
A	06/04/2021	ISSUED FOR APPROVAL	PROJECT:	GRIFFIN PARKING DECK REPAIR
0	08/19/2021	ISSUED FOR CONSTRUCTION	LOCATION:	GRIFFIN, GA
1	09/13/2021	ISSUED FOR CONSTRUCTION	CLIENT:	CITY OF GRIFFIN
2	12/24/2021	ISSUED FOR RECORD	ENGINEER:	IMMEC, INC
			ARCHITECT:	NA

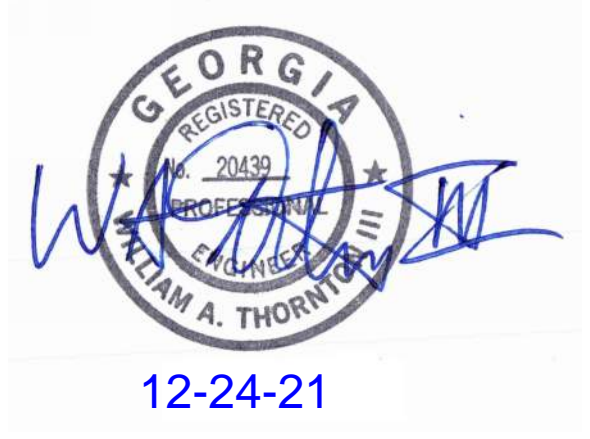
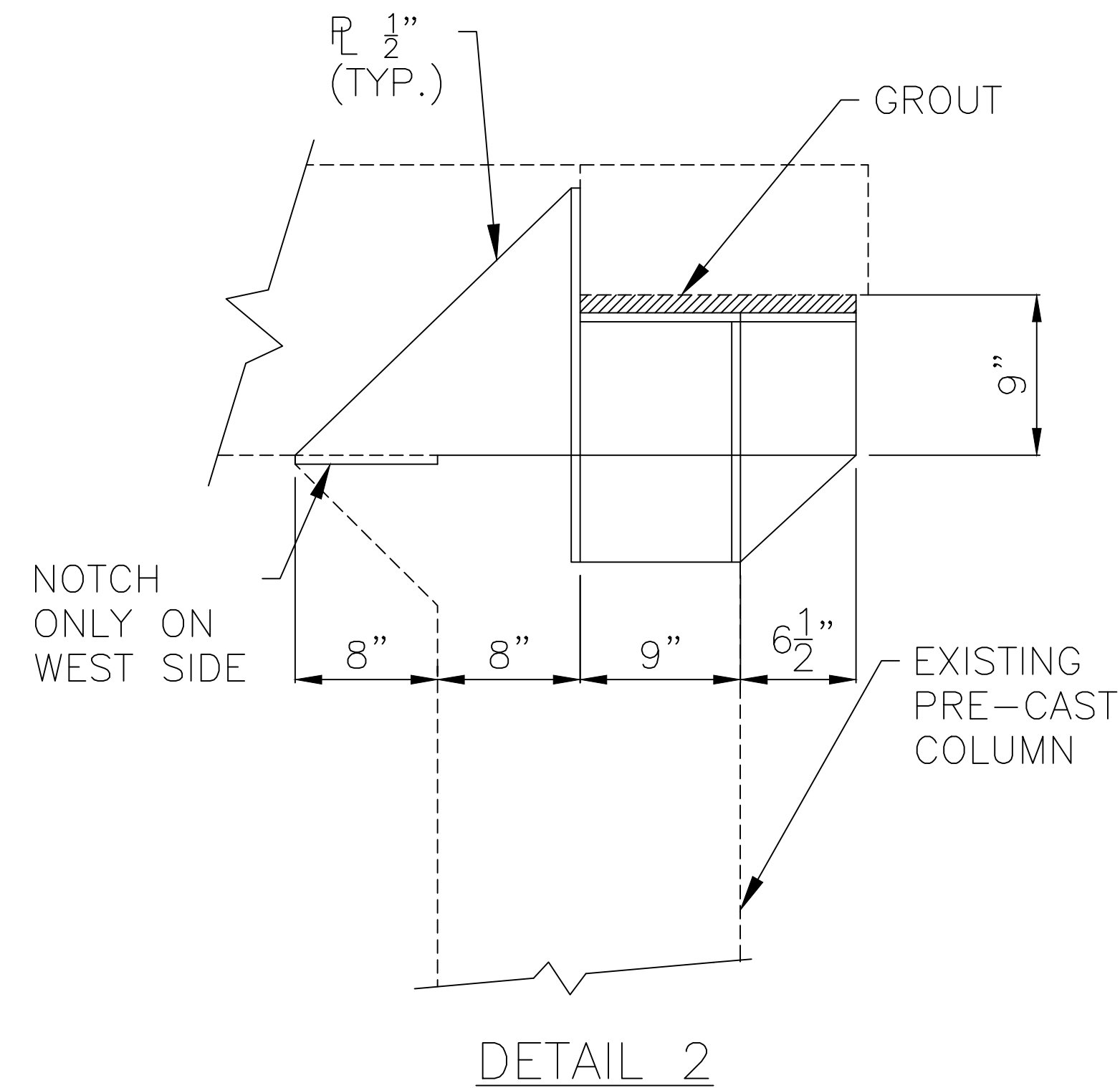
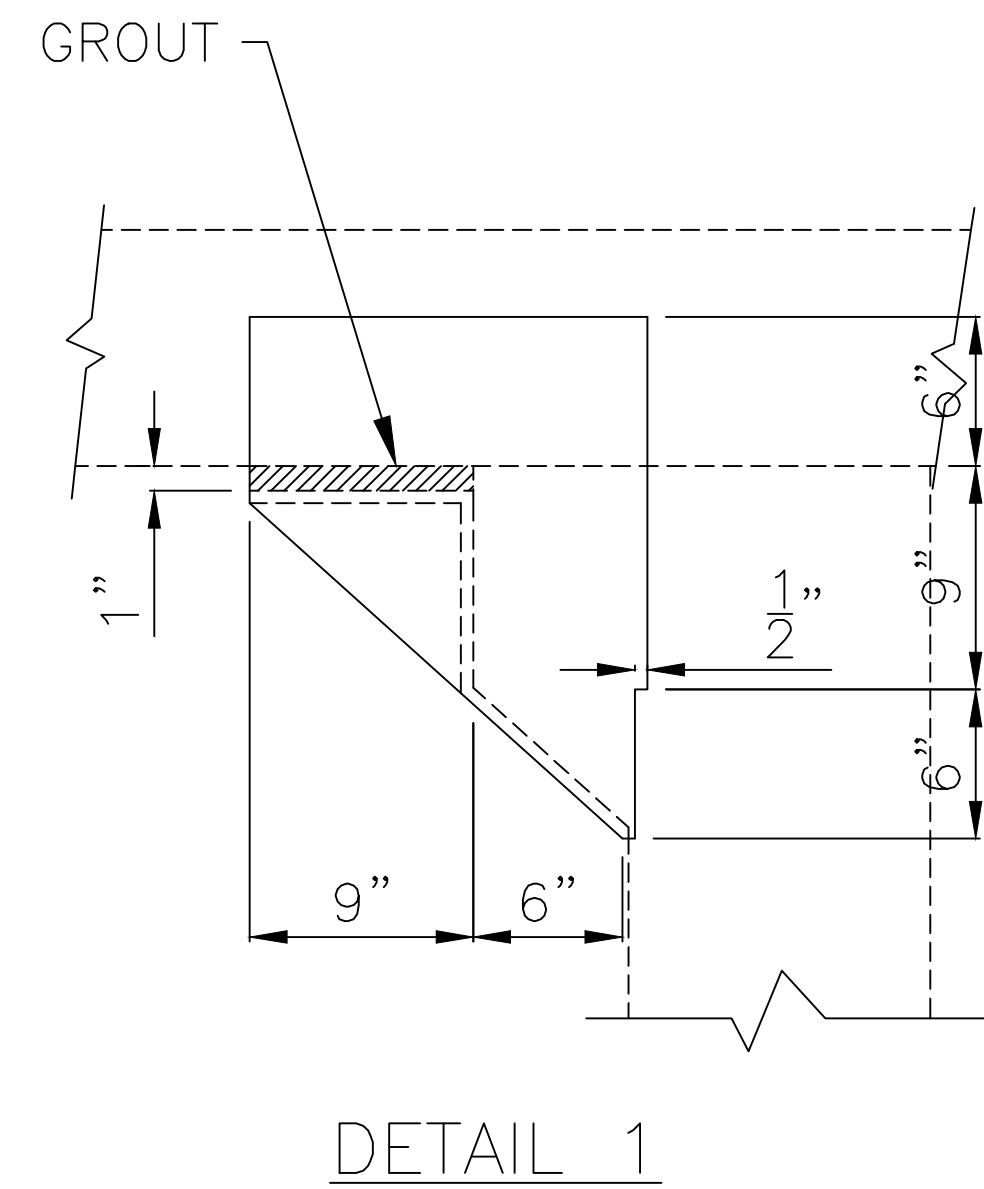
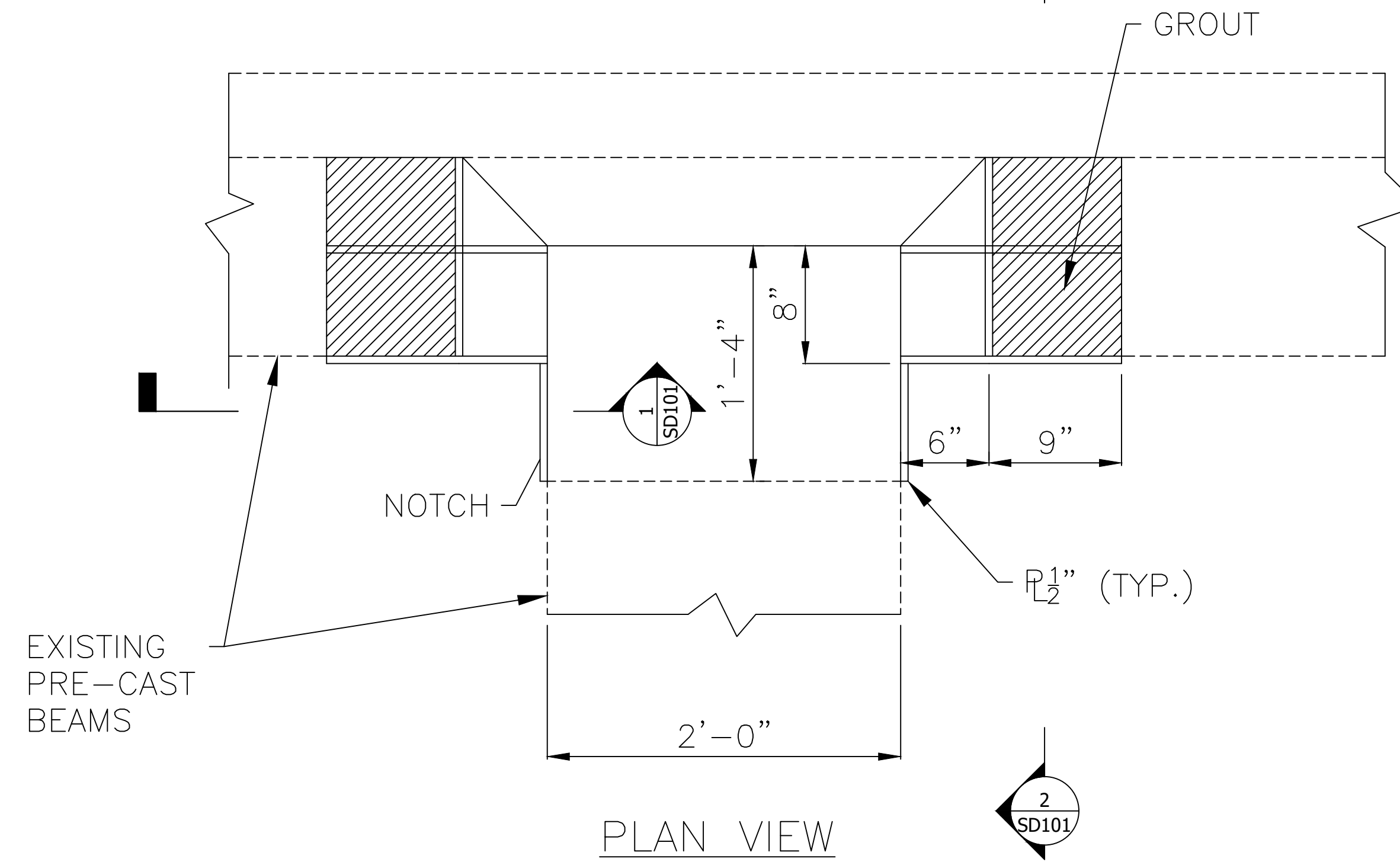
IMMEC

INC.

PO BOX 1066
SOCIAL CIRCLE, GEORGIA 30025

CITY OF GRIFFIN PARKING GARAGE REPAIR
STRUCTURAL STEEL
STEEL & GROUTING NOTES, REPAIR LISTS

DRAWN BY SGR	CHECKED BY WAT	JOB NO 21-0420	DRAWING NO CS102
DATE 03/19/2021	DATE 03/19/2021	PROJ.NO	



- REVISION SYMBOL

NOTES: FOR NOTES SEE DWG CS102

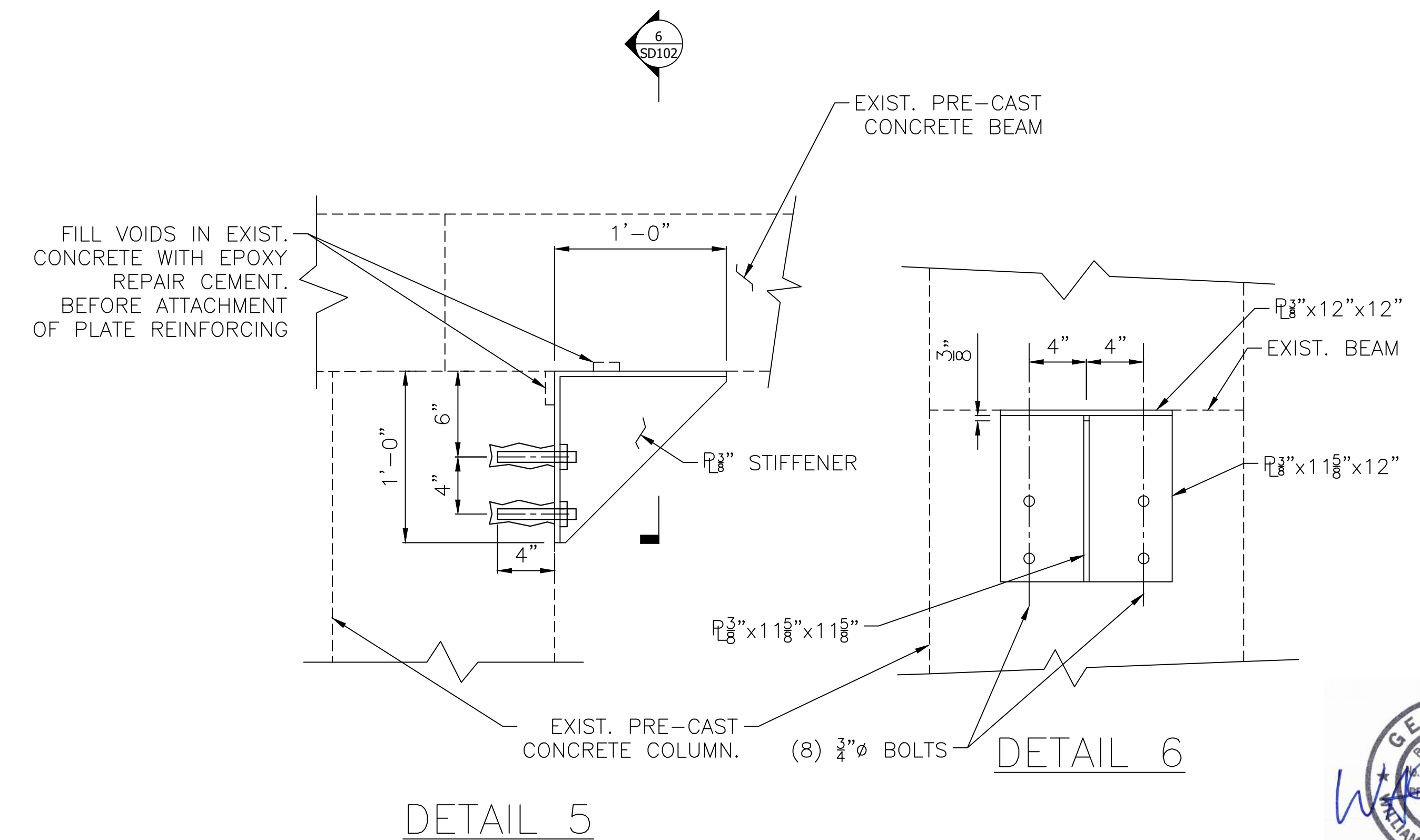
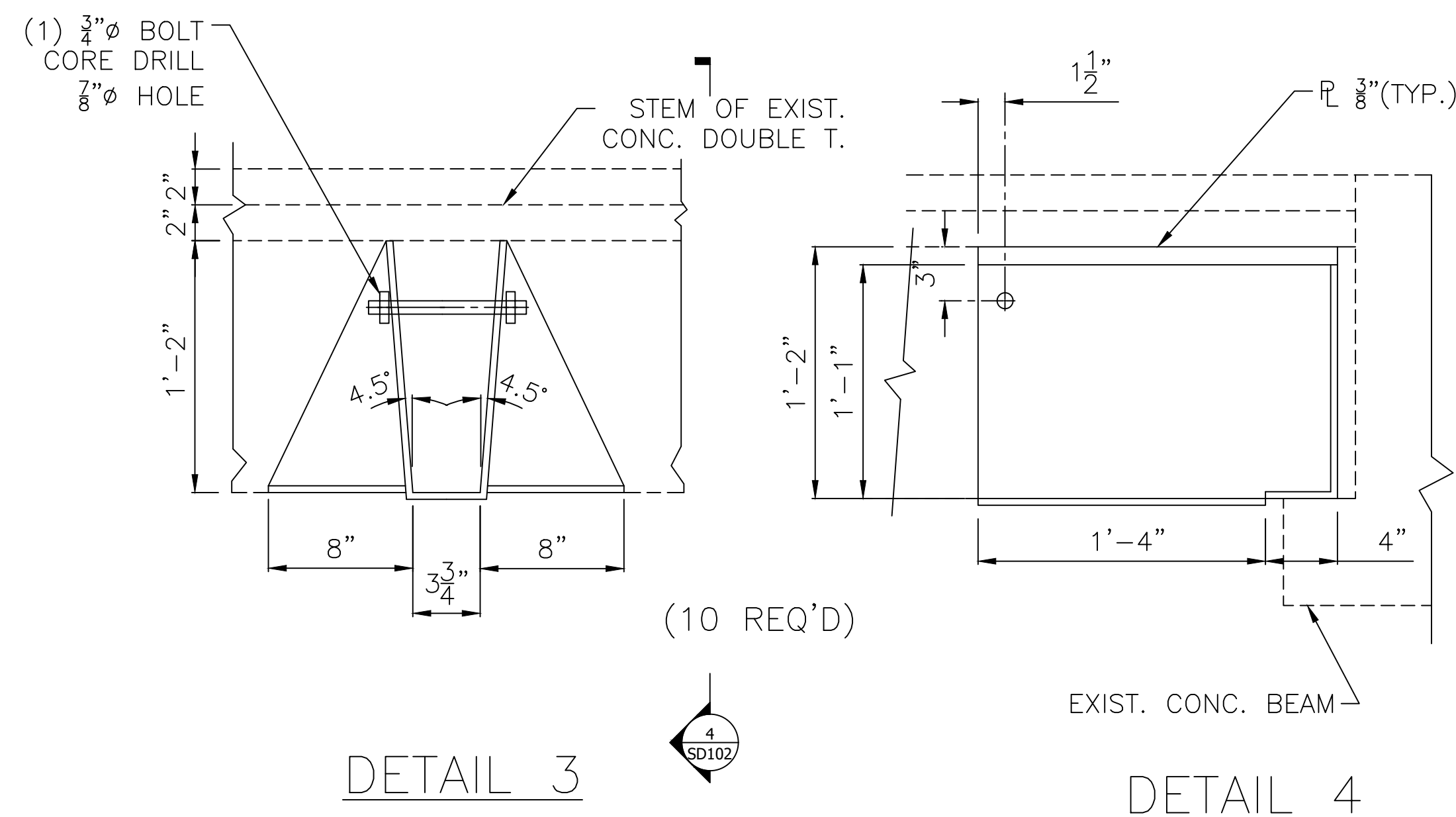
NO	DATE	REVISION/DESCRIPTION	PROJECT INFORMATION	
			PROJECT:	GRIFFIN PARKING DECK REPAIR
A	06/04/2021	ISSUED FOR APPROVAL	LOCATION:	GRIFFIN, GA
0	08/19/2021	ISSUED FOR CONSTRUCTION	CLIENT:	CITY OF GRIFFIN
1	09/13/2021	ISSUED FOR CONSTRUCTION	ENGINEER:	IMMEC, INC
2	12/15/2021	ISSUED FOR RECORD	ARCHITECT:	NA

IMMEC
INC.

PO BOX 1066
SOCIAL CIRCLE, GEORGIA 30025

CITY OF GRIFFIN PARKING GARAGE REPAIR
STRUCTURAL STEEL
DETAILS

DRAWN BY SGR	CHECKED BY WAT	JOB NO 21-0420	DRAWING NO SD101
DATE 03/19/2021	DATE 03/19/2021	PROJ.NO	



12-24-21

NOTES:
FOR NOTES SEE DRAWING CS102.

- REVISION SYMBOL

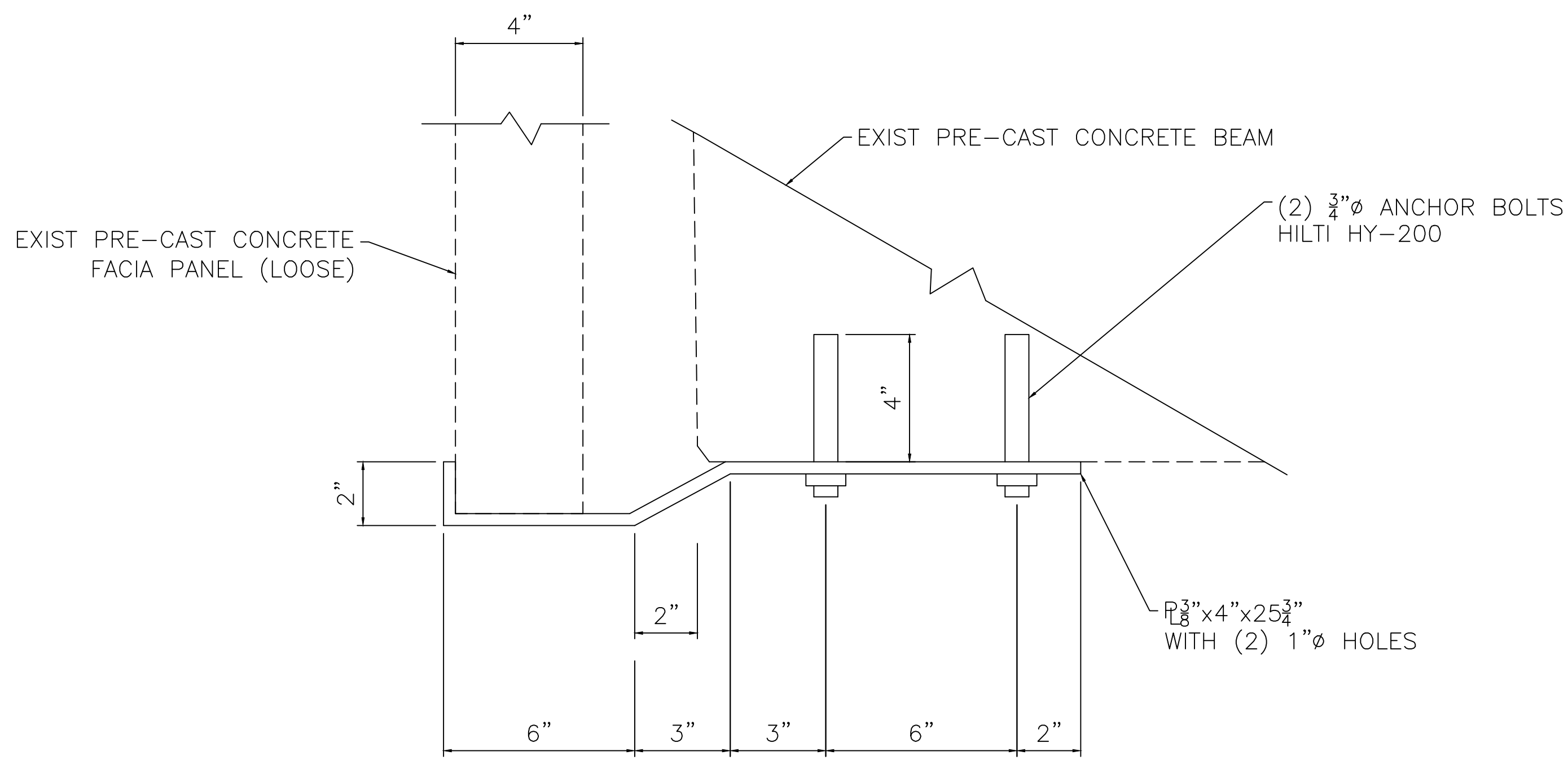
NO	DATE	REVISION/DESCRIPTION	PROJECT INFORMATION	
			PROJECT:	LOCATION:
A	06/04/2021	ISSUED FOR APPROVAL	PROJECT:	GRIFFIN PARKING DECK REPAIR
0	08/19/2021	ISSUED FOR CONSTRUCTION	LOCATION:	GRIFFIN, GA
1	09/13/2021	ISSUED FOR CONSTRUCTION	CLIENT:	CITY OF GRIFFIN
2	12/24/2021	ISSUED FOR RECORD	ENGINEER:	IMMEC, INC
			ARCHITECT:	NA

IMMEC
INC.

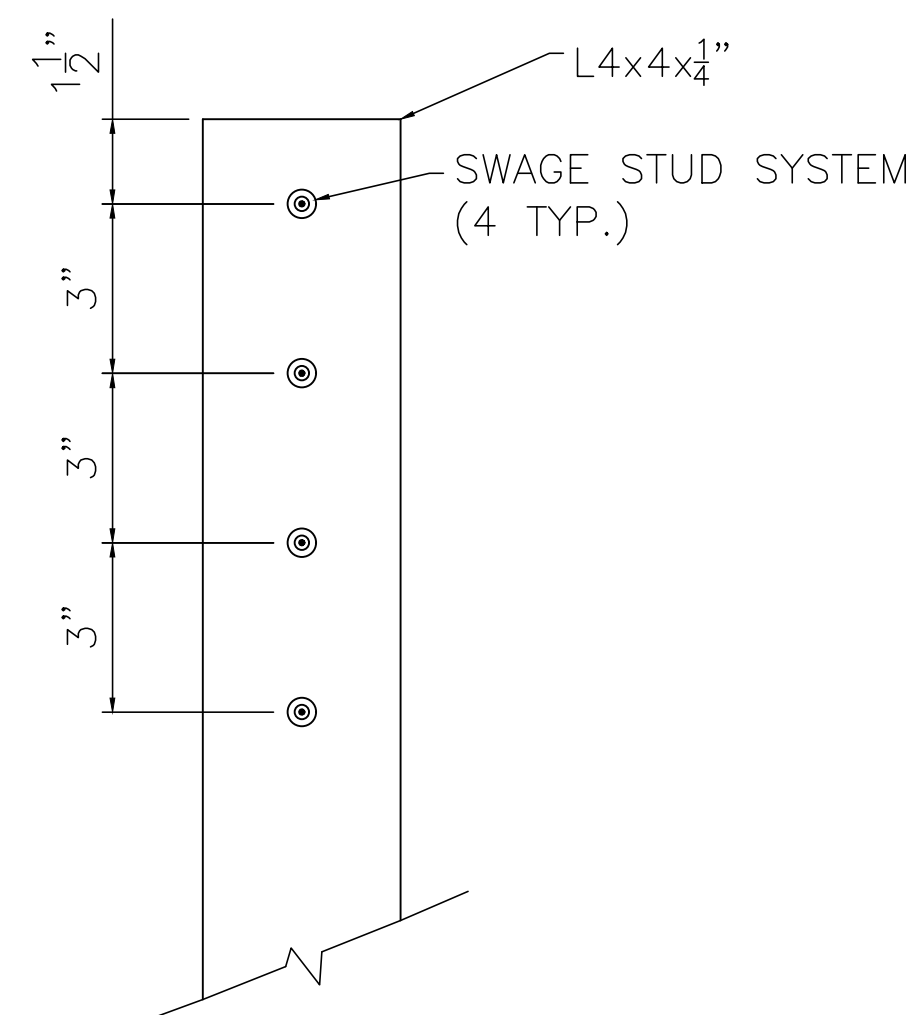
PO BOX 1066
SOCIAL CIRCLE, GEORGIA 30025

CITY OF GRIFFIN PARKING GARAGE REPAIR
STRUCTURAL STEEL
DETAILS

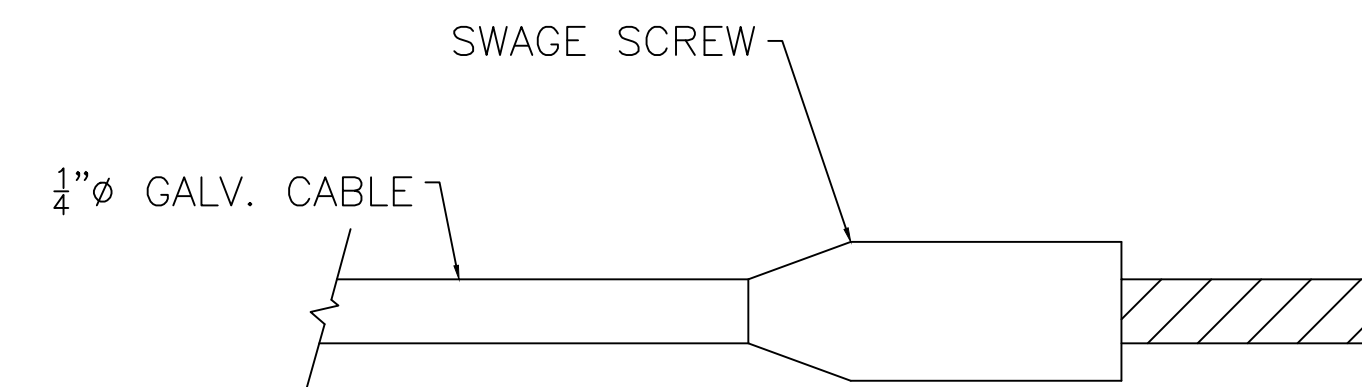
DRAWN BY SGR	CHECKED BY WAT	JOB NO 21-0420	DRAWING NO SD102
DATE 03/19/2021	DATE 03/19/2021	PROJ.NO	



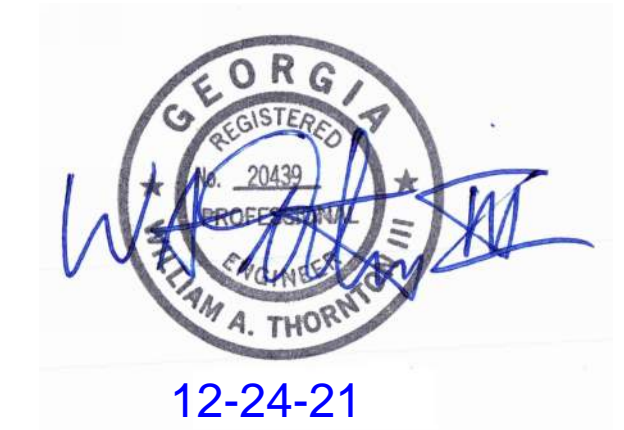
DETAIL 7



DETAIL 8



DETAIL 9



- REVISION SYMBOL

NOTES: FOR NOTES SEE DWG CS102

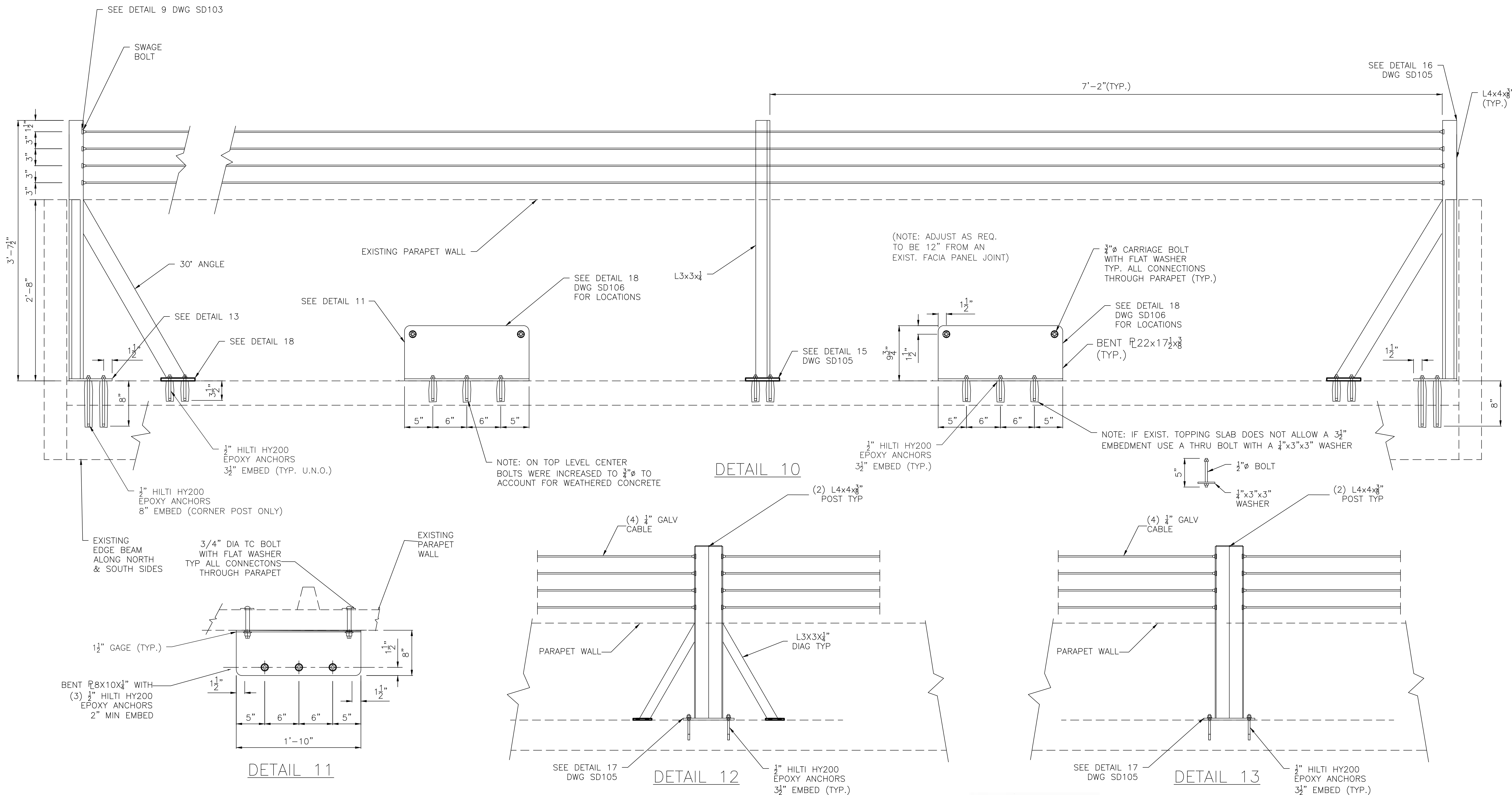
NO	DATE	REVISION/DESCRIPTION	PROJECT INFORMATION	
			PROJECT:	GRIFFIN PARKING DECK REPAIR
A	06/04/2021	ISSUED FOR APPROVAL	LOCATION:	GRIFFIN, GA
0	08/19/2021	ISSUED FOR CONSTRUCTION	CLIENT:	CITY OF GRIFFIN
1	09/13/2021	ISSUED FOR CONSTRUCTION	ENGINEER:	IMMEC, INC
2	12/15/2021	ISSUED FOR RECORD	ARCHITECT:	NA

IMMEC
INC.

PO BOX 1066
SOCIAL CIRCLE, GEORGIA 30025

CITY OF GRIFFIN PARKING GARAGE REPAIR
STRUCTURAL STEEL
DETAILS

DRAWN BY SGR	CHECKED BY WAT	JOB NO 21-0420	DRAWING NO SD103
DATE 03/25/2021	DATE 03/25/2021	PROJ.NO	



▲ - REVISION SYMBOL

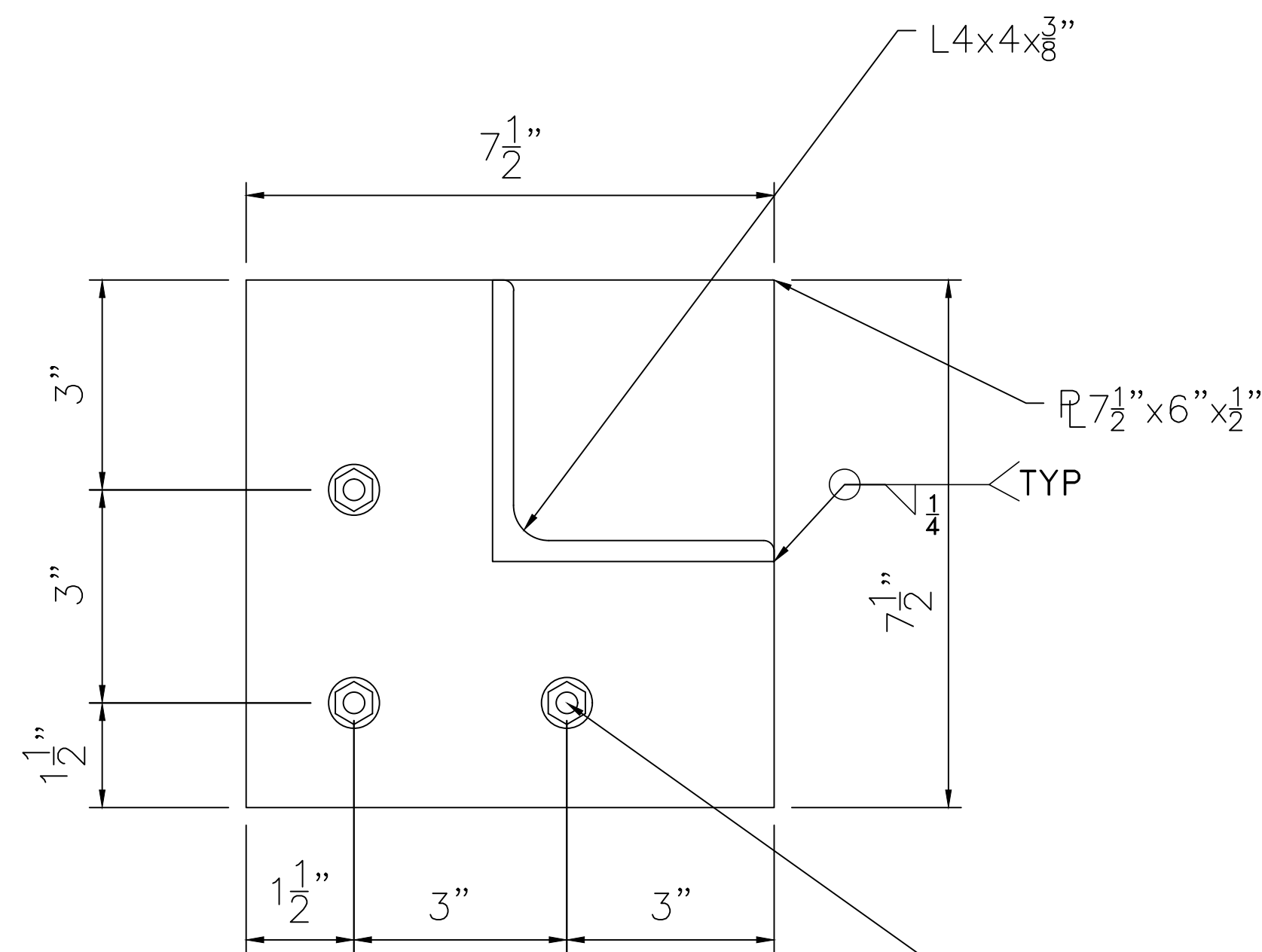


IMMEC
INC.
PO BOX 1066
SOCIAL CIRCLE, GEORGIA 30025

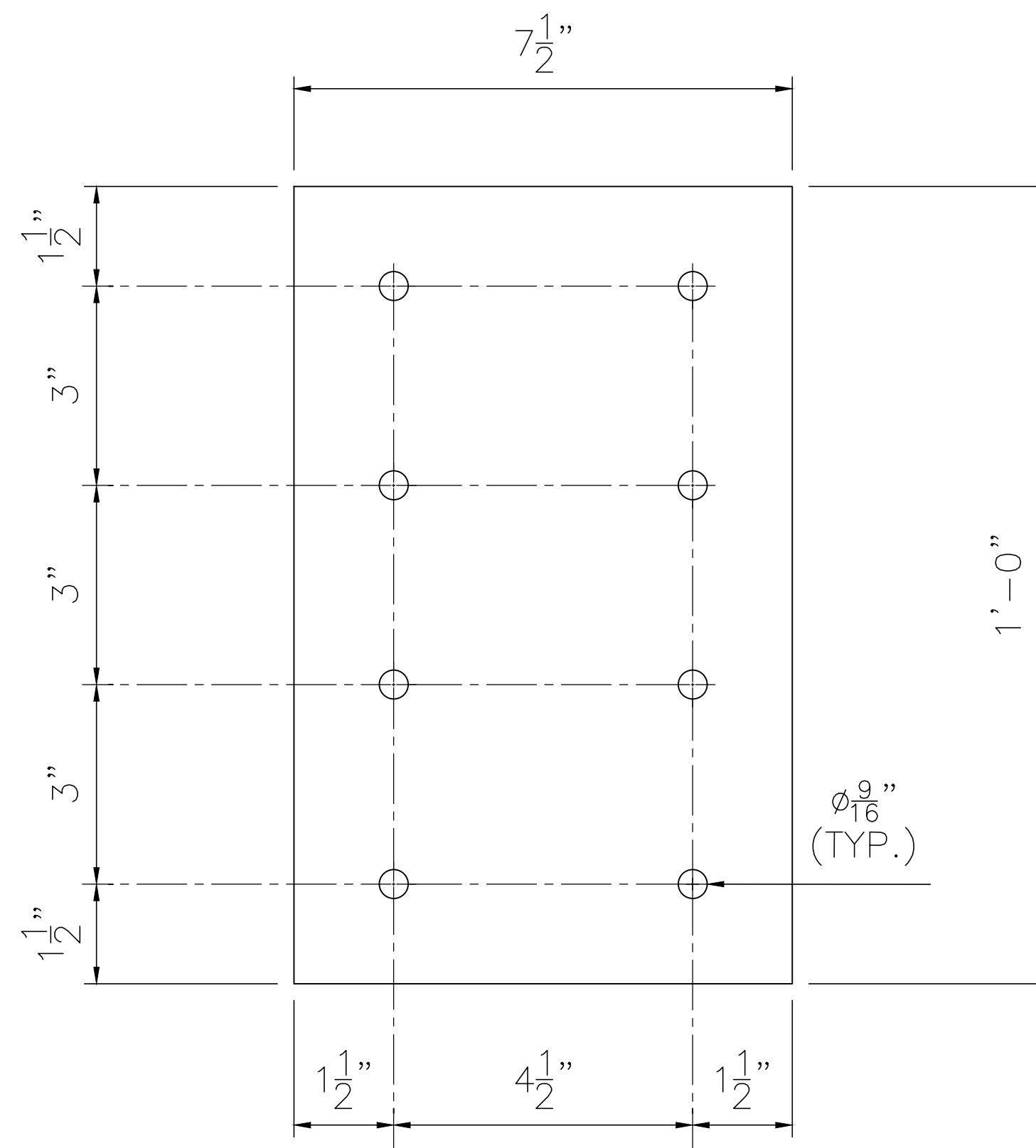
NOTES: FOR NOTES SEE DWG CS102

NO	DATE	REVISION/DESCRIPTION	PROJECT INFORMATION	
			PROJECT:	LOCATION:
A	06/04/2021	ISSUED FOR APPROVAL	GRIFFIN PARKING DECK REPAIR	GRIFFIN, GA
0	08/19/2021	ISSUED FOR CONSTRUCTION	CITY OF GRIFFIN	IMMEC, INC
1	09/13/2021	ISSUED FOR CONSTRUCTION	ARCHITECT:	NA
2	12/24/2021	ISSUED FOR RECORD		

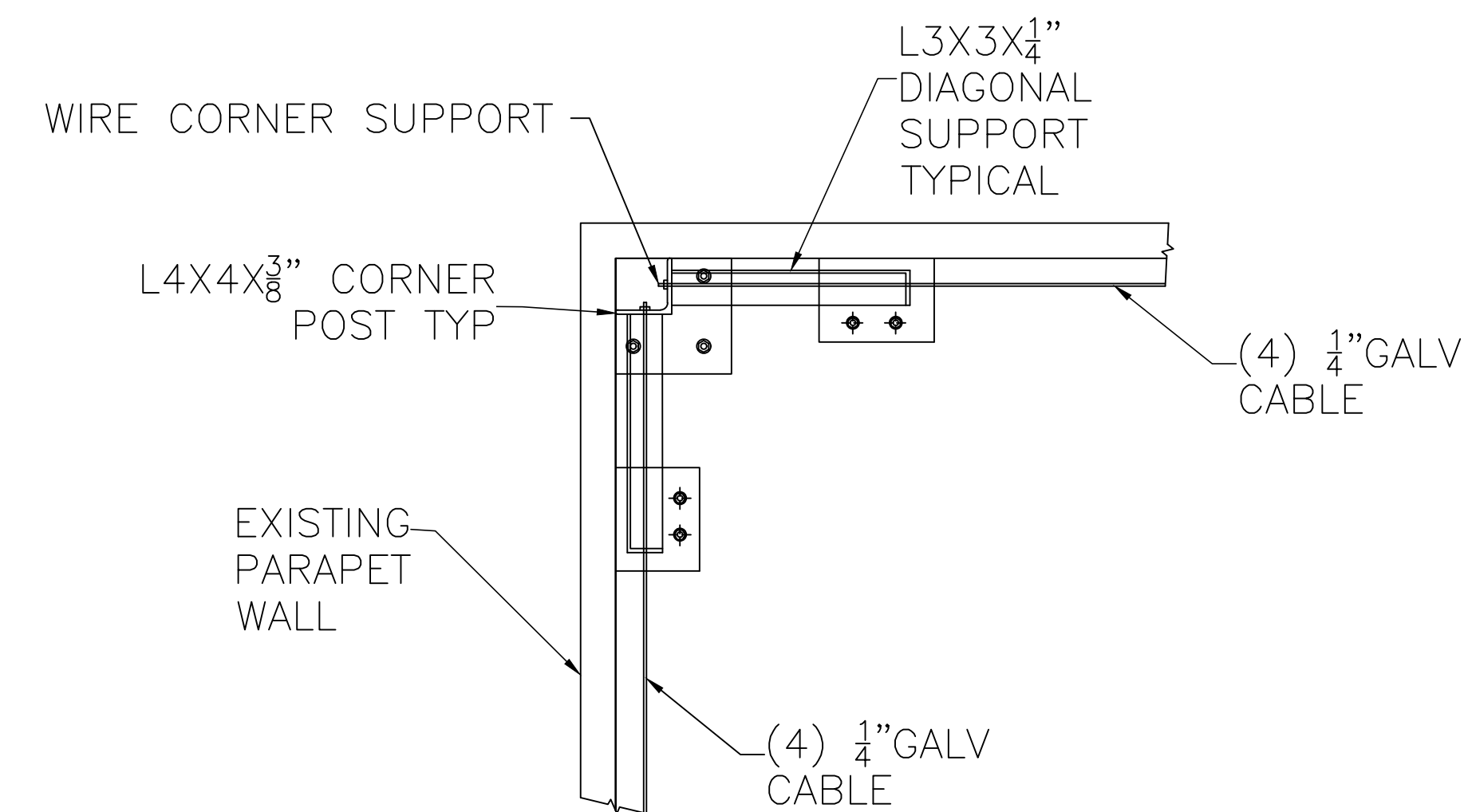
CITY OF GRIFFIN PARKING GARAGE REPAIR STRUCTURAL STEEL DETAILS			
DRAWN BY SGR	CHECKED BY WAT	JOB NO 21-0420	DRAWING NO SD104
DATE 03/25/2021	DATE 03/25/2021	PROJ.NO	



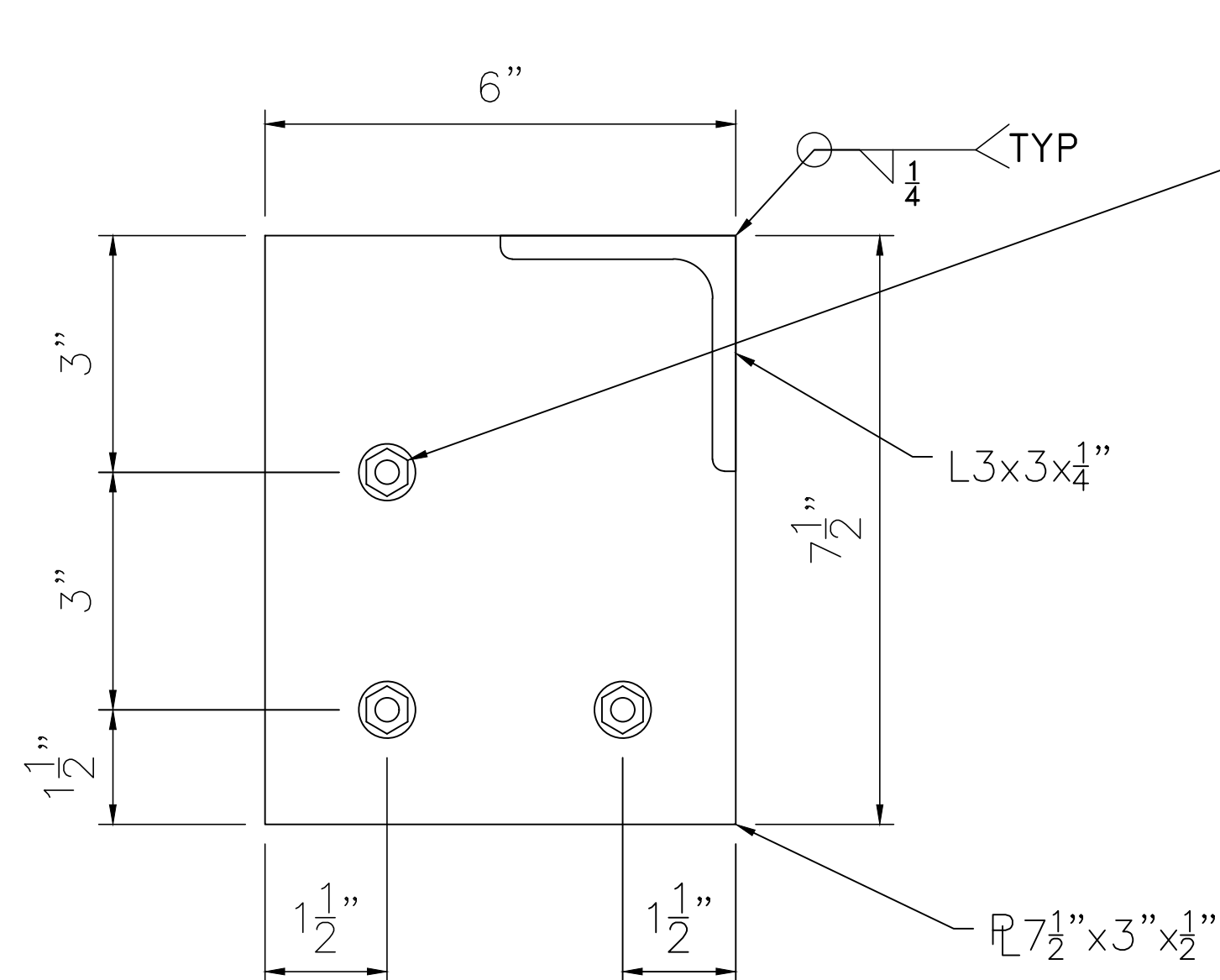
DETAIL 13



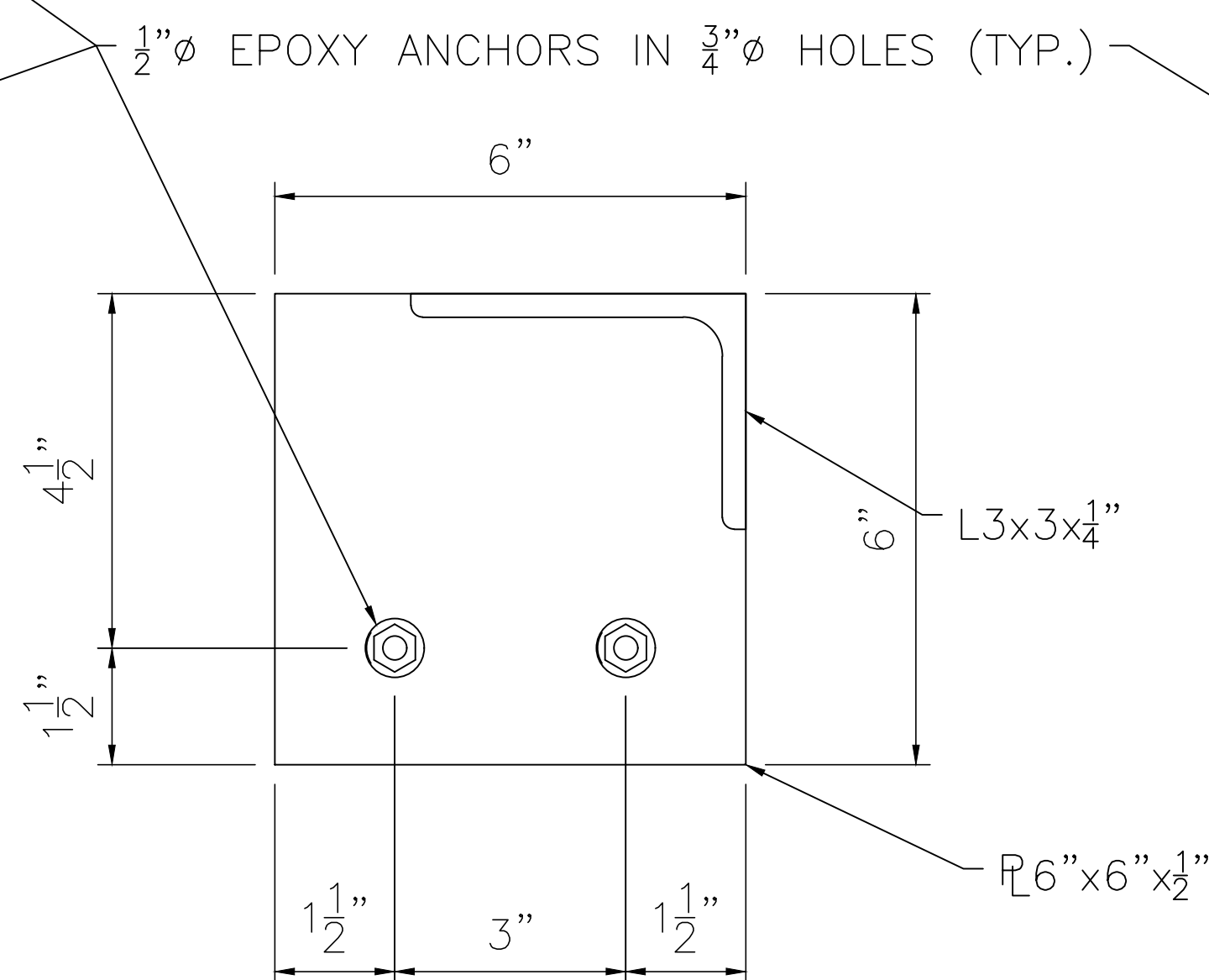
DETAIL 14



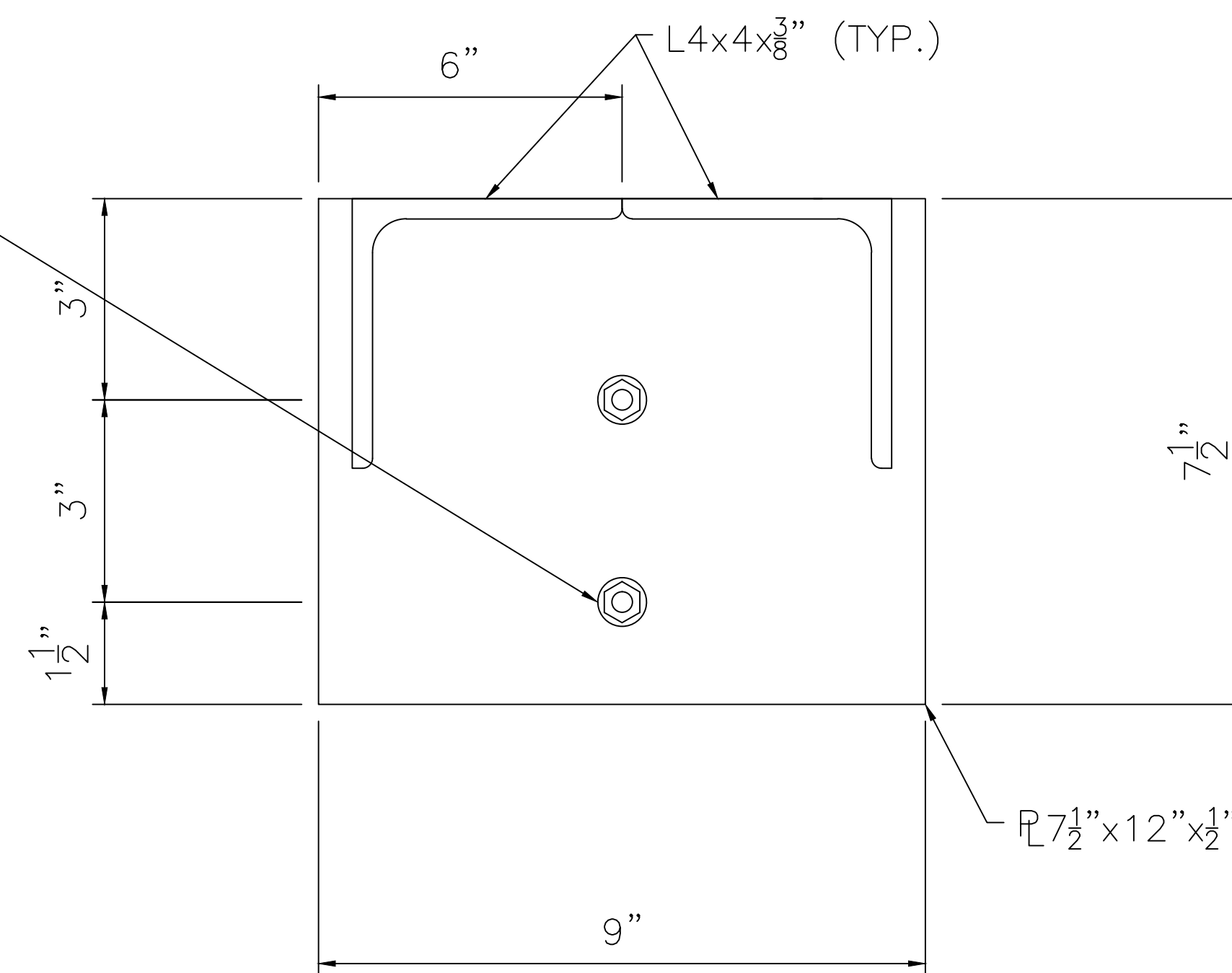
DETAIL 16



DETAIL 15



DETAIL 18



DETAIL 17



12-24-21

▲ - REVISION SYMBOL

NOTES: FOR NOTES SEE DWG CS102

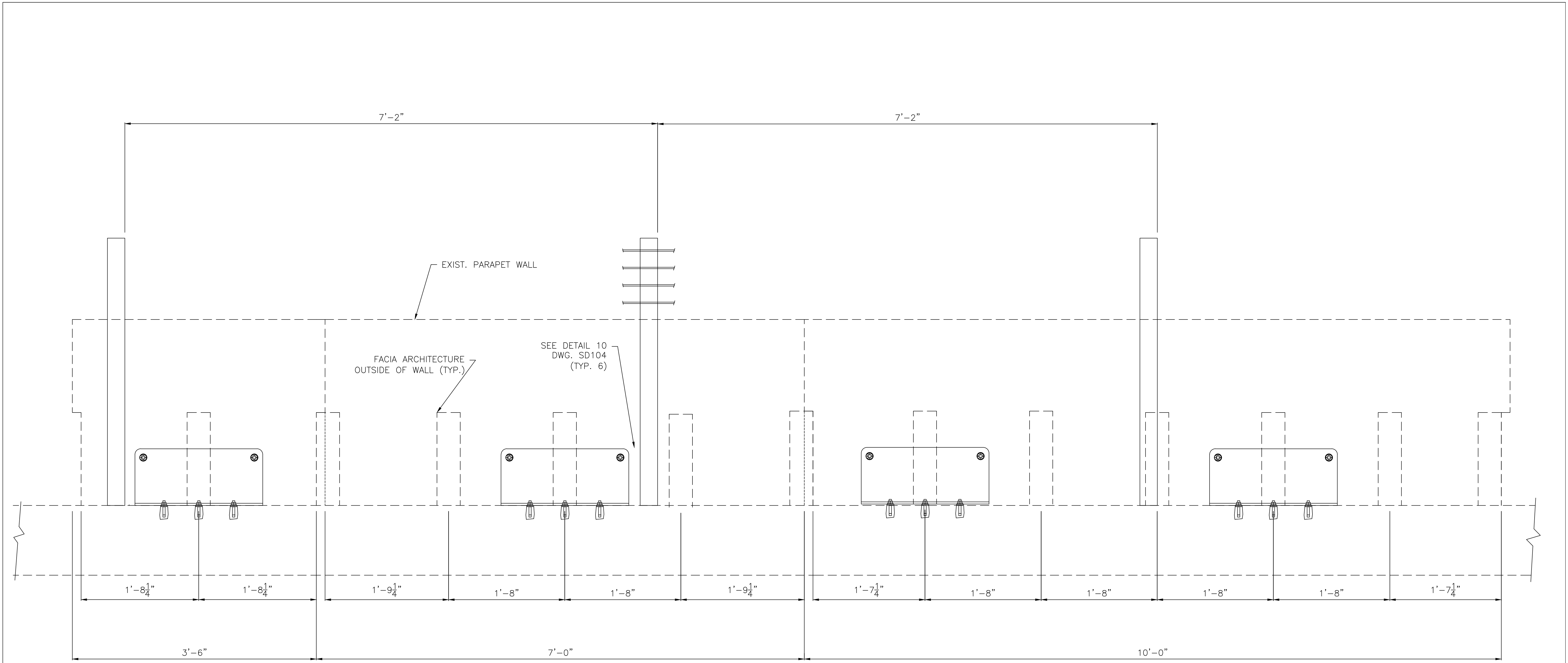
NO	DATE	REVISION/DESCRIPTION	PROJECT INFORMATION	
			PROJECT:	PROJECT INFORMATION
A	06/04/2021	ISSUED FOR APPROVAL	PROJECT:	GRIFFIN PARKING DECK REPAIR
0	08/19/2021	ISSUED FOR CONSTRUCTION	LOCATION:	GRIFFIN, GA
1	09/13/2021	ISSUED FOR CONSTRUCTION	CLIENT:	CITY OF GRIFFIN
2	12/24/2021	ISSUED FOR RECORD	ENGINEER:	IMMEC, INC
			ARCHITECT:	NA

IMMEC
INC.

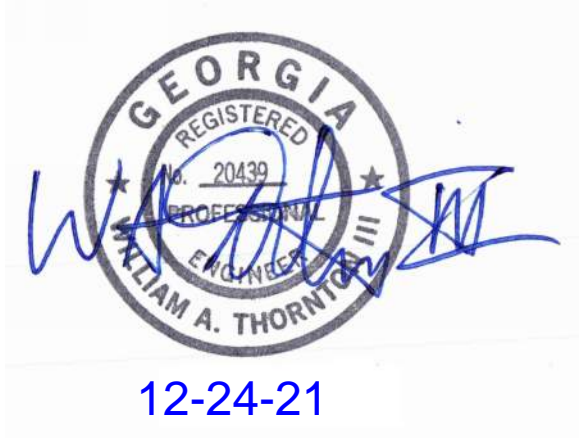
PO BOX 1066
SOCIAL CIRCLE, GEORGIA 30025

CITY OF GRIFFIN PARKING GARAGE REPAIR
STRUCTURAL STEEL
DETAILS

DRAWN BY SGR	CHECKED BY WAT	JOB NO 21-0420	DRAWING NO SD105
DATE 03/25/2021	DATE 03/25/2021	PROJ.NO	



DETAIL 18



- REVISION SYMBOL

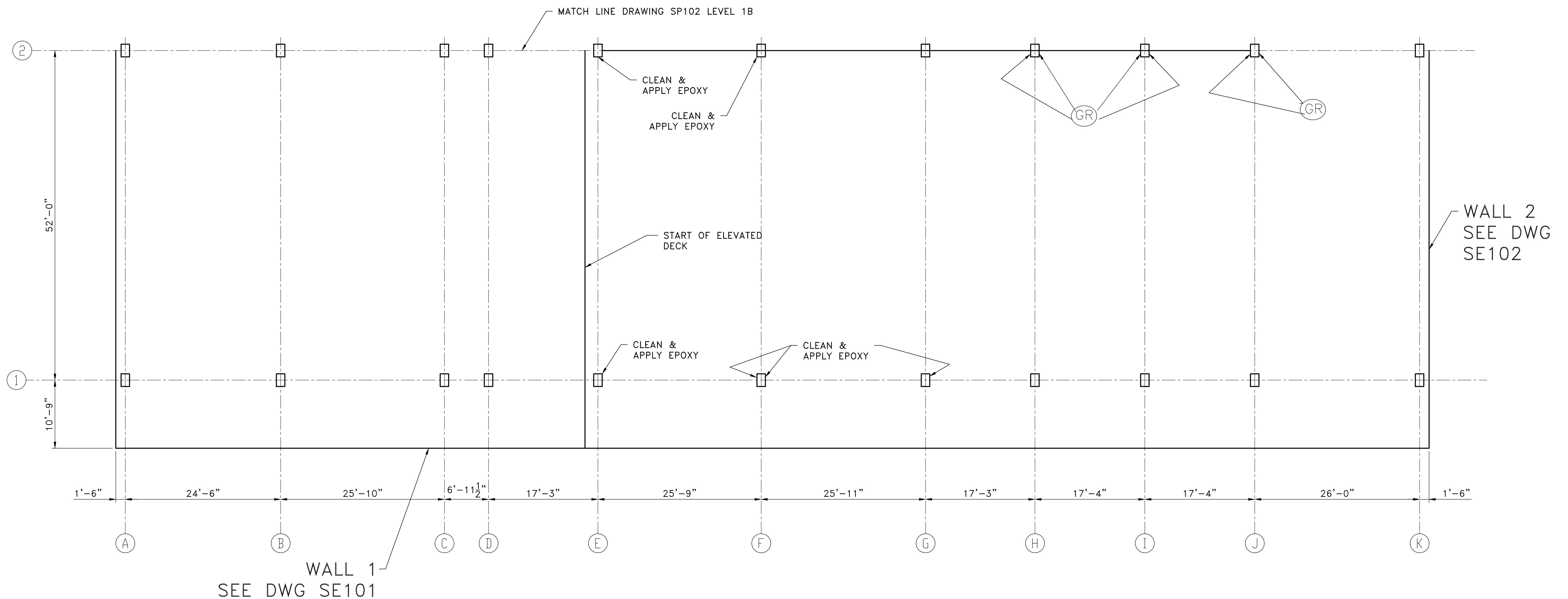
NOTES: FOR NOTES SEE DWG CS102

NO	DATE	REVISION/DESCRIPTION	PROJECT INFORMATION	
			PROJECT:	LOCATION:
A	06/04/2021	ISSUED FOR APPROVAL	PROJECT:	GRIFFIN PARKING DECK REPAIR
0	08/19/2021	ISSUED FOR CONSTRUCTION	LOCATION:	GRIFFIN, GA
1	09/13/2021	ISSUED FOR CONSTRUCTION	CLIENT:	CITY OF GRIFFIN
2	12/24/2021	ISSUED FOR RECORD	ENGINEER:	IMMEC, INC
			ARCHITECT:	NA

IMMEC
INC. PO BOX 1066
SOCIAL CIRCLE, GEORGIA 30025

CITY OF GRIFFIN PARKING GARAGE REPAIR
STRUCTURAL STEEL
SECTIONS & DETAILS

DRAWN BY SGR	CHECKED BY WAT	JOB NO 21-0420	DRAWING NO SD106
DATE 06/02/2021	DATE 03/25/2021	PROJ.NO	



LEVEL 1A

LEGEND:

ⓄGR = COLUMNS THAT NEED

TO BE GROUTED/RE-GROUTED (6)

NOTES:

FOR NOTES SEE DRAWING CS102.



① - REVISION SYMBOL

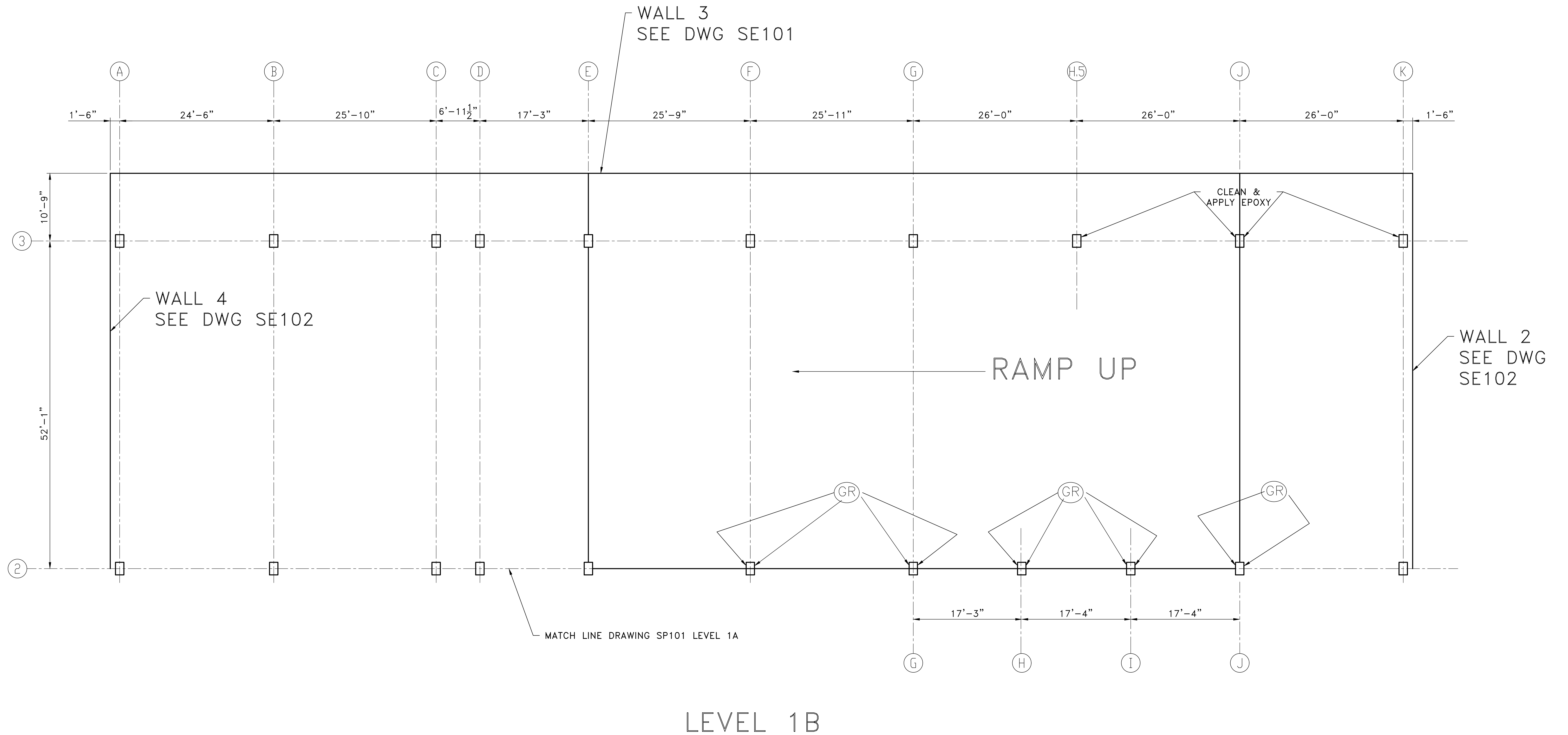
NO	DATE	REVISION/DESCRIPTION	PROJECT INFORMATION	
A	07/21/2021	ISSUED FOR APPROVAL	PROJECT:	GRIFFIN PARKING DECK REPAIR
0	08/19/2021	ISSUED FOR CONSTRUCTION	LOCATION:	GRIFFIN, GA
1	09/13/2021	ISSUED FOR CONSTRUCTION	CLIENT:	CITY OF GRIFFIN
2	12/15/2021	ISSUED FOR RECORD	ENGINEER:	IMMEC, INC
			ARCHITECT:	NA



PO BOX 1066
SOCIAL CIRCLE, GEORGIA 30025

CITY OF GRIFFIN PARKING GARAGE REPAIR
LOCATIONS OF REQUIRED REPAIRS
PLAN

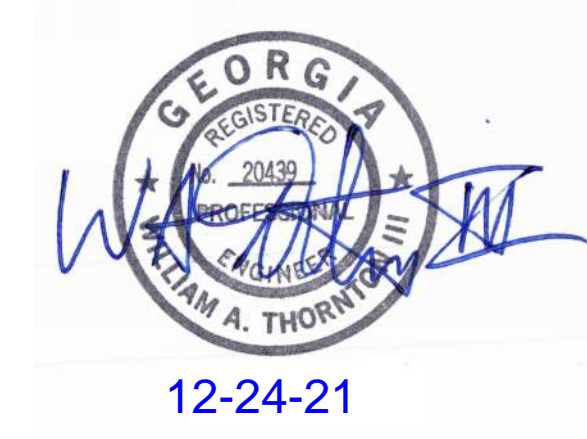
DRAWN BY SGR	CHECKED BY WAT	JOB NO 21-0420	DRAWING NO SP101
DATE 03/19/2021	DATE 03/19/2021	PROJ.NO	



LEVEL 1B

LEGEND:
 (GR) = COLUMNS THAT NEED
 TO BE GROUTED/RE-GROUTED (10)

NOTES:
 FOR NOTES SEE DRAWING CS102.



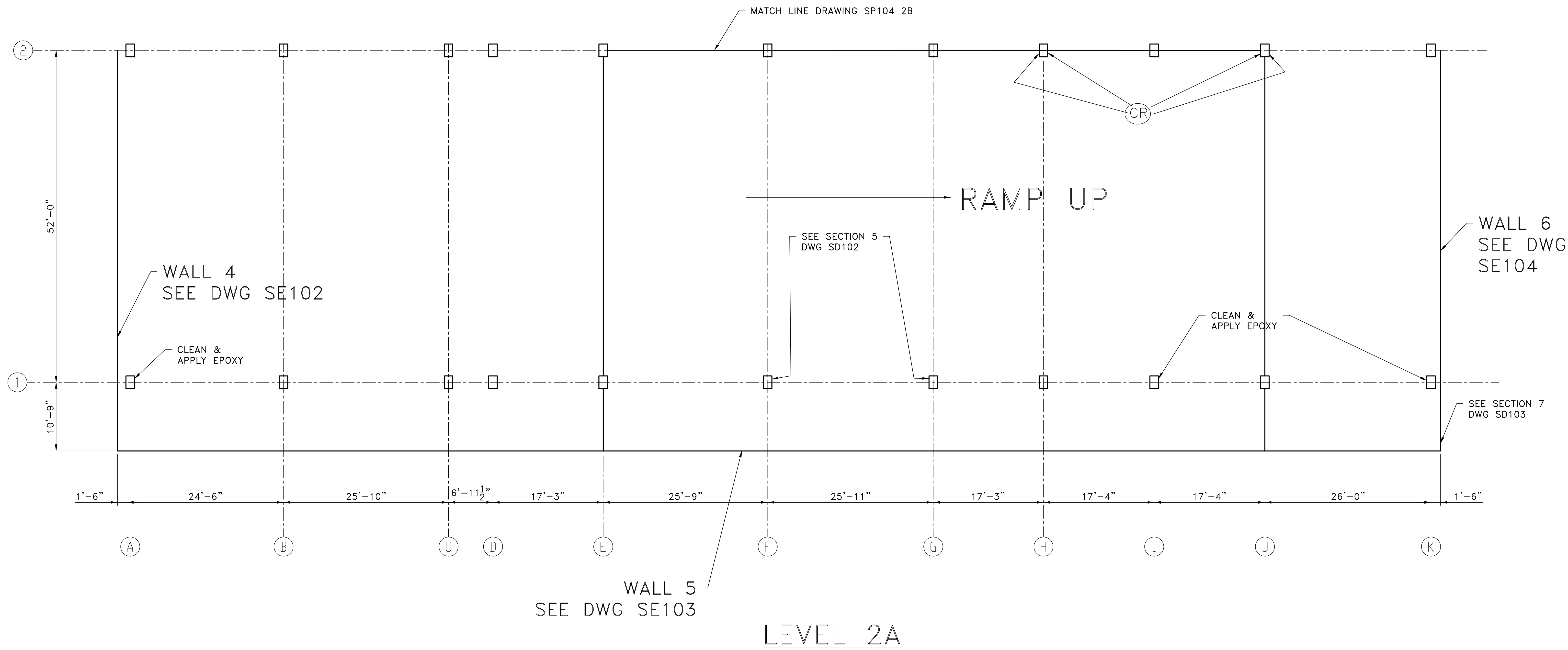
① - REVISION SYMBOL

NO	DATE	REVISION/DESCRIPTION	PROJECT INFORMATION	
A	07/21/2021	ISSUED FOR APPROVAL	PROJECT:	GRIFFIN PARKING DECK REPAIR
0	08/19/2021	ISSUED FOR CONSTRUCTION	LOCATION:	GRIFFIN, GA
1	09/13/2021	ISSUED FOR CONSTRUCTION	CLIENT:	CITY OF GRIFFIN
2	12/15/2021	ISSUED FOR RECORD	ENGINEER:	IMMEC, INC
			ARCHITECT:	NA

IMMEC INC. PD BOX 1066 SOCIAL CIRCLE, GEORGIA 30025

CITY OF GRIFFIN PARKING GARAGE REPAIR
 LOCATIONS OF REQUIRED REPAIRS
 PLAN

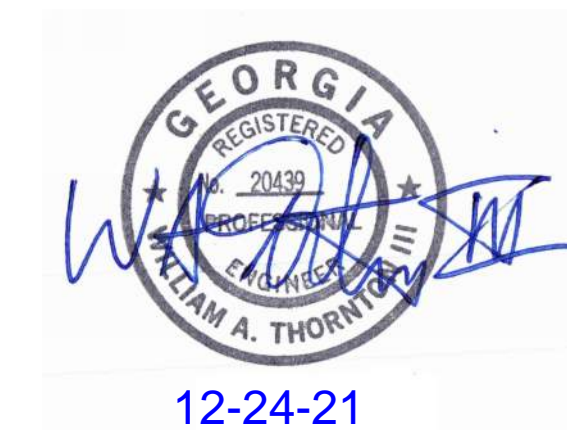
DRAWN BY SGR	CHECKED BY WAT	JOB NO 21-0420	DRAWING NO SP102
DATE 03/19/2021	DATE 03/19/2021	PROJ.NO	



NOTES:
FOR NOTES SEE DRAWING CS102.

① - REVISION SYMBOL

LEGEND:
Ⓞ GR = COLUMNS THAT NEED
TO BE GROUTED/RE-GROUTED (4)

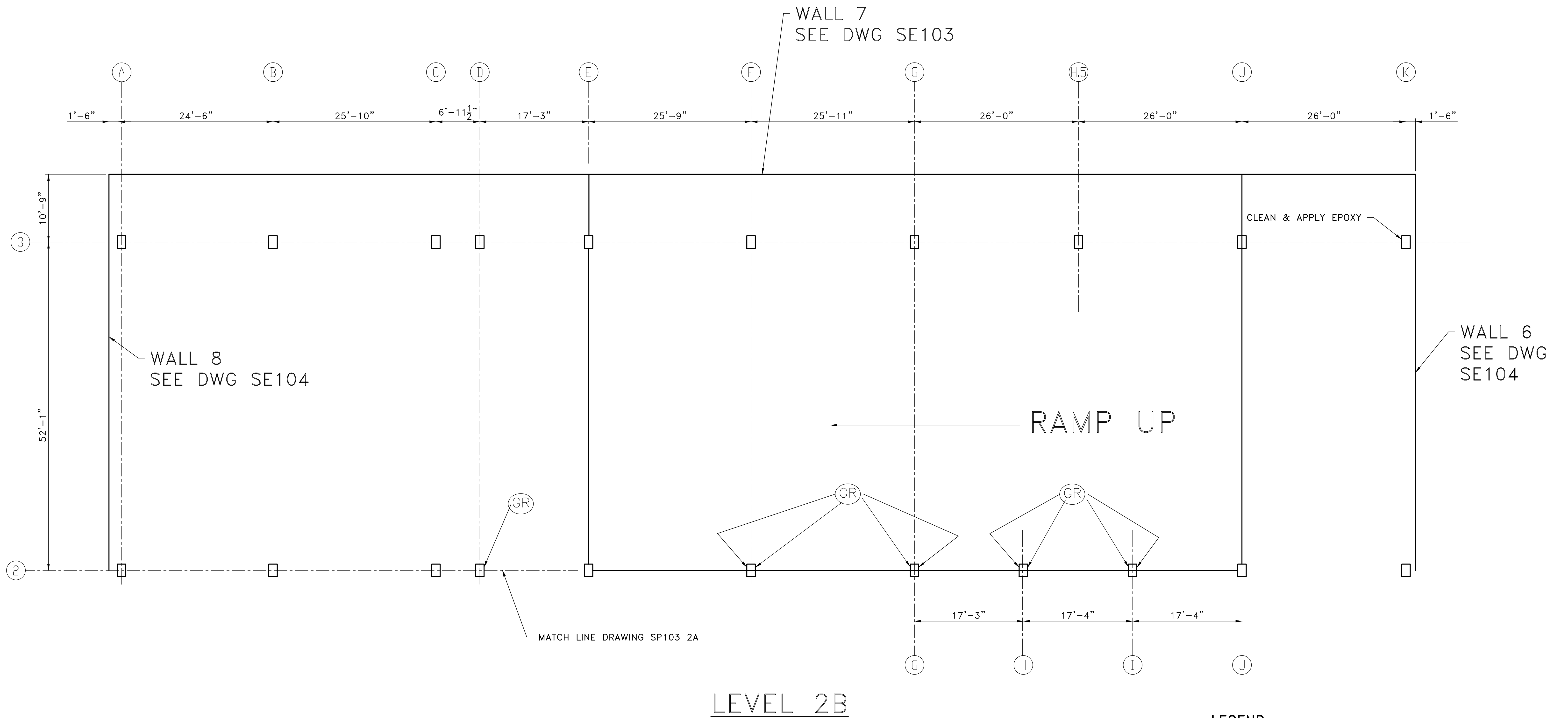


IMMEC INC.
PO BOX 1066
SOCIAL CIRCLE, GEORGIA 30025

CITY OF GRIFFIN PARKING GARAGE REPAIR
LOCATIONS OF REQUIRED REPAIRS
PLAN

NO	DATE	REVISION/DESCRIPTION	PROJECT INFORMATION	
A	07/21/2021	ISSUED FOR APPROVAL	PROJECT:	GRIFFIN PARKING DECK REPAIR
0	08/19/2021	ISSUED FOR CONSTRUCTION	LOCATION:	GRIFFIN, GA
1	09/13/2021	ISSUED FOR CONSTRUCTION	CLIENT:	CITY OF GRIFFIN
2	12/15/2021	ISSUED FOR RECORD	ENGINEER:	IMMEC, INC
			ARCHITECT:	NA

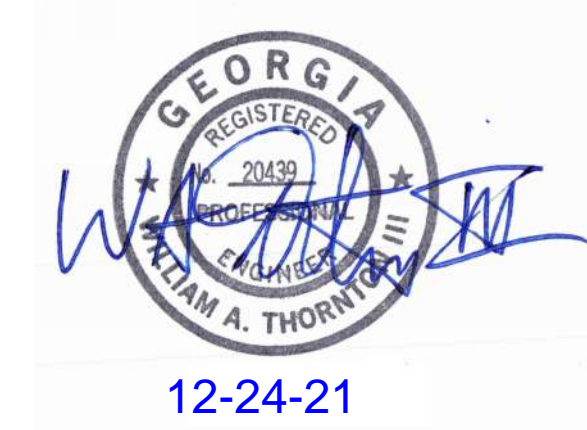
DRAWN BY	CHECKED BY	JOB NO	DRAWING NO
SGR	WAT	21-0420	SP103
DATE	DATE	PROJ.NO	
03/19/2021	03/19/2021		



NOTES:
FOR NOTES SEE DRAWING CS102.

① - REVISION SYMBOL

LEGEND:
ⒸGR = COLUMNS THAT NEED
TO BE GROUTED/RE-GROUTED (9)

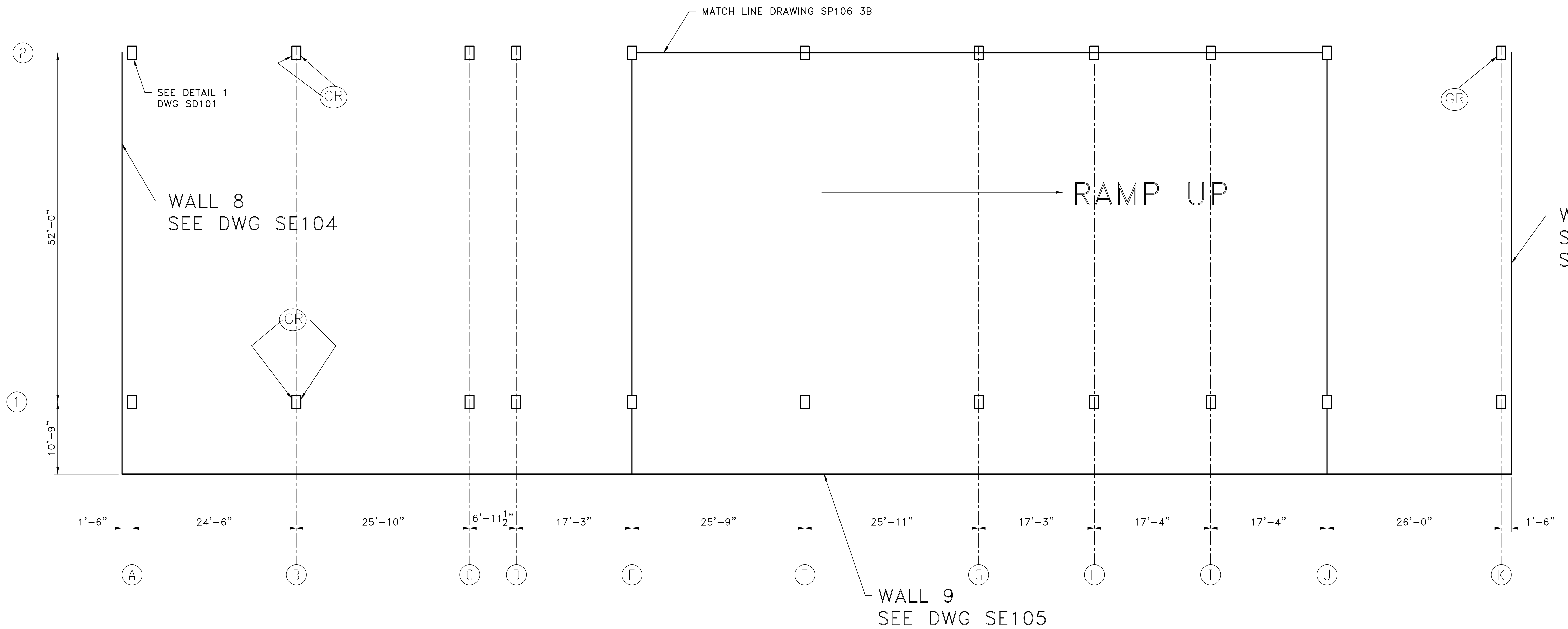


IMMEC INC. PO BOX 1066
SOCIAL CIRCLE, GEORGIA 30025

CITY OF GRIFFIN PARKING GARAGE REPAIR
LOCATIONS OF REQUIRED REPAIRS
PLAN

NO	DATE	REVISION/DESCRIPTION	PROJECT INFORMATION	
A	07/21/2021	ISSUED FOR APPROVAL	PROJECT:	GRIFFIN PARKING DECK REPAIR
0	08/19/2021	ISSUED FOR CONSTRUCTION	LOCATION:	GRIFFIN, GA
1	09/13/2021	ISSUED FOR CONSTRUCTION	CLIENT:	CITY OF GRIFFIN
2	12/15/2021	ISSUED FOR RECORD	ENGINEER:	IMMEC, INC
			ARCHITECT:	NA

DRAWN BY SGR	CHECKED BY WAT	JOB NO 21-0420	DRAWING NO SP104
DATE 03/19/2021	DATE 03/19/2021	PROJ.NO	



LEVEL 3A

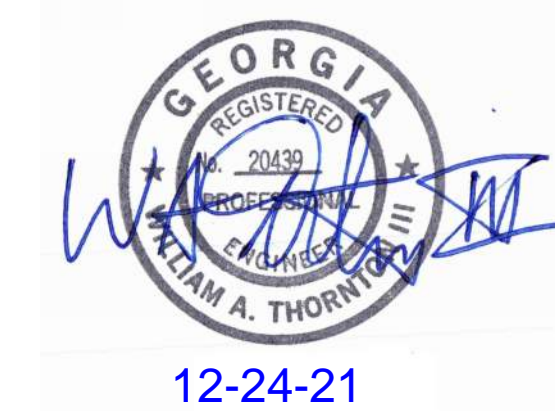
LEGEND:

(GR) = COLUMNS THAT NEED

TO BE GROUTED/RE-GROUTED (5)

NOTES:

FOR NOTES SEE DRAWING CS102.



△ - REVISION SYMBOL

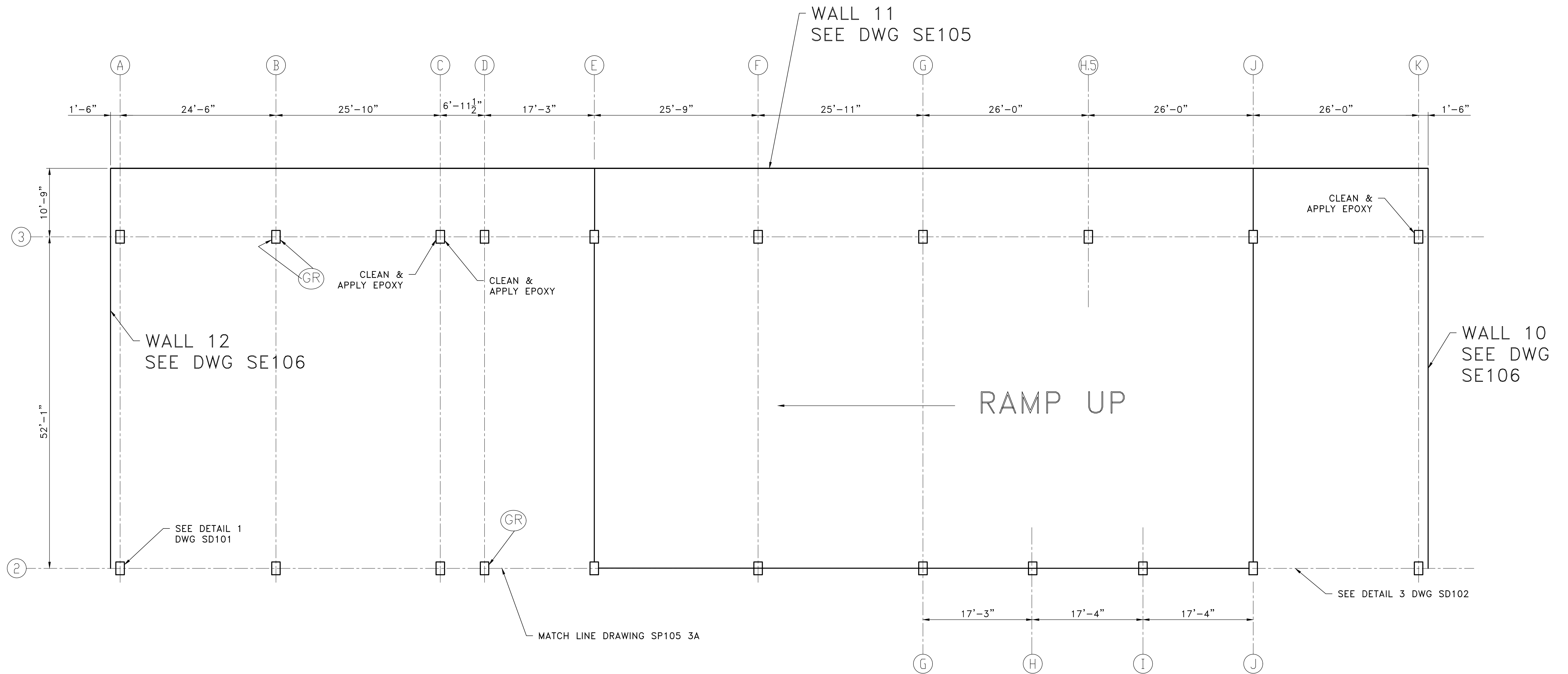
NO	DATE	REVISION/DESCRIPTION	PROJECT INFORMATION	
			PROJECT:	LOCATION:
A	07/21/2021	ISSUED FOR APPROVAL	PROJECT:	GRIFFIN PARKING DECK REPAIR
0	08/19/2021	ISSUED FOR CONSTRUCTION	LOCATION:	GRIFFIN, GA
1	09/13/2021	ISSUED FOR CONSTRUCTION	CLIENT:	CITY OF GRIFFIN
2	12/15/2021	ISSUED FOR RECORD	ENGINEER:	IMMEC, INC
			ARCHITECT:	NA



PO BOX 1066
SOCIAL CIRCLE, GEORGIA 30025

CITY OF GRIFFIN PARKING GARAGE REPAIR
LOCATIONS OF REQUIRED REPAIRS
PLAN

DRAWN BY	CHECKED BY	JOB NO	DRAWING NO
SGR	WAT	21-0420	
DATE	DATE	PROJ.NO	
03/19/2021	03/19/2021		



LEVEL 3B

LEGEND:

Ⓞ = COLUMNS THAT NEED

TO BE GROUTED/RE-GROUTED (3)

NOTES:

FOR NOTES SEE DRAWING CS102.



① - REVISION SYMBOL

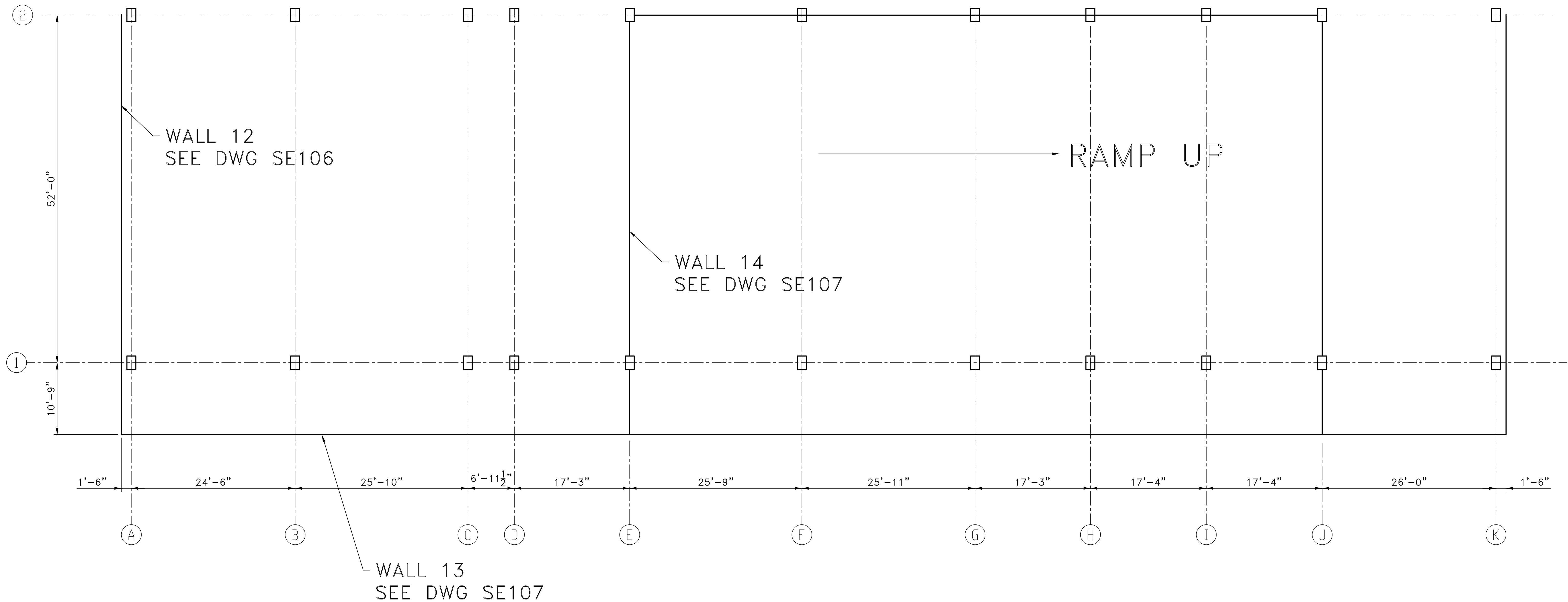
NO	DATE	REVISION/DESCRIPTION	PROJECT INFORMATION	
A	07/21/2021	ISSUED FOR APPROVAL	PROJECT:	GRIFFIN PARKING DECK REPAIR
0	08/19/2021	ISSUED FOR CONSTRUCTION	LOCATION:	GRIFFIN, GA
1	09/13/2021	ISSUED FOR CONSTRUCTION	CLIENT:	CITY OF GRIFFIN
2	12/15/2021	ISSUED FOR RECORD	ENGINEER:	IMMEC, INC
			ARCHITECT:	NA



PO BOX 1066
SOCIAL CIRCLE, GEORGIA 30025

CITY OF GRIFFIN PARKING GARAGE REPAIR
LOCATIONS OF REQUIRED REPAIRS
PLAN

DRAWN BY SGR	CHECKED BY WAT	JOB NO 21-0420	DRAWING NO SP106
DATE 03/19/2021	DATE 03/19/2021	PROJ.NO	



LEVEL 4A

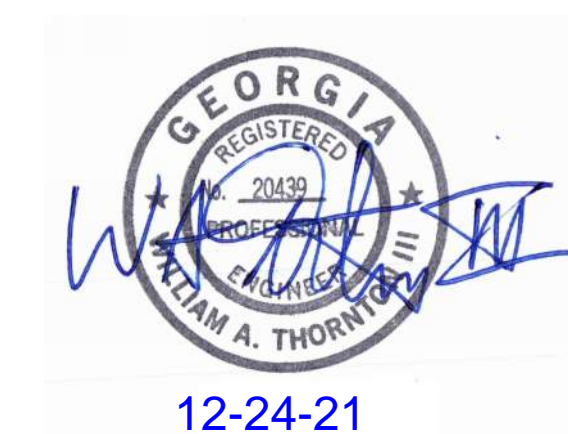
LEGEND:

ⓄGR = COLUMNS THAT NEED

TO BE GROUTED/RE-GROUTED (5)

NOTES:

FOR NOTES SEE DRAWING CS102.



△ - REVISION SYMBOL

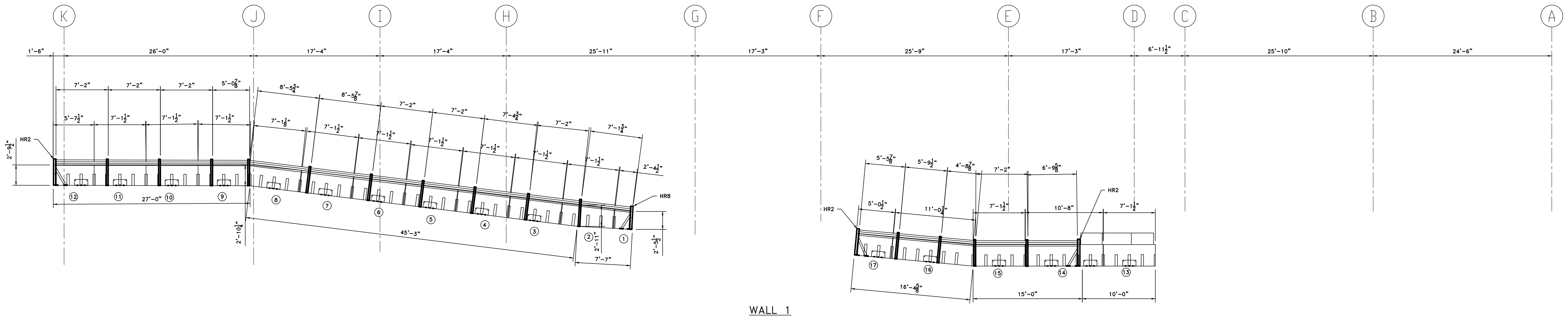
NO	DATE	REVISION/DESCRIPTION	PROJECT INFORMATION	
A	07/21/2021	ISSUED FOR APPROVAL	PROJECT:	GRIFFIN PARKING DECK REPAIR
0	08/19/2021	ISSUED FOR CONSTRUCTION	LOCATION:	GRIFFIN, GA
1	09/13/2021	ISSUED FOR CONSTRUCTION	CLIENT:	CITY OF GRIFFIN
2	12/15/2021	ISSUED FOR RECORD	ENGINEER:	IMMEC, INC
			ARCHITECT:	NA



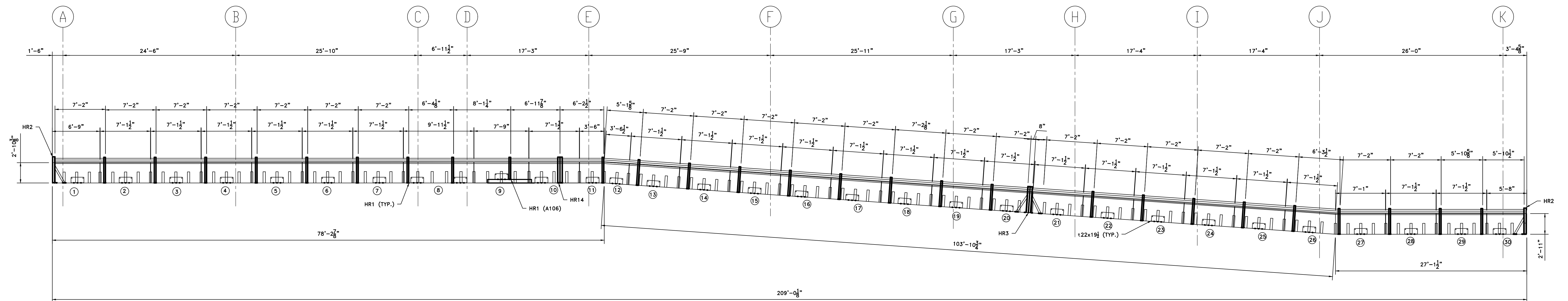
PO BOX 1066
SOCIAL CIRCLE, GEORGIA 30025

CITY OF GRIFFIN PARKING GARAGE REPAIR
LOCATIONS OF REQUIRED REPAIRS
PLAN

DRAWN BY SGR	CHECKED BY WAT	JOB NO 21-0420	DRAWING NO SP107
DATE 03/19/2021	DATE 03/19/2021	PROJ.NO	

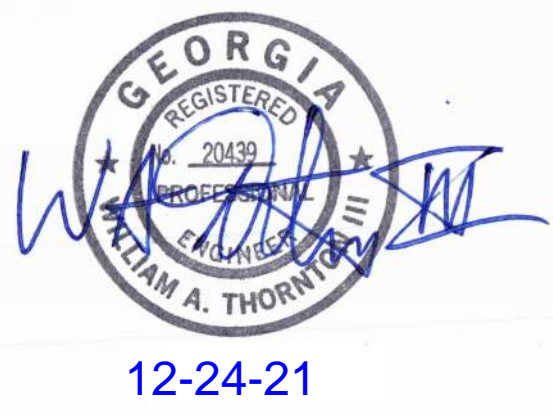


WALL 1



WALL 3

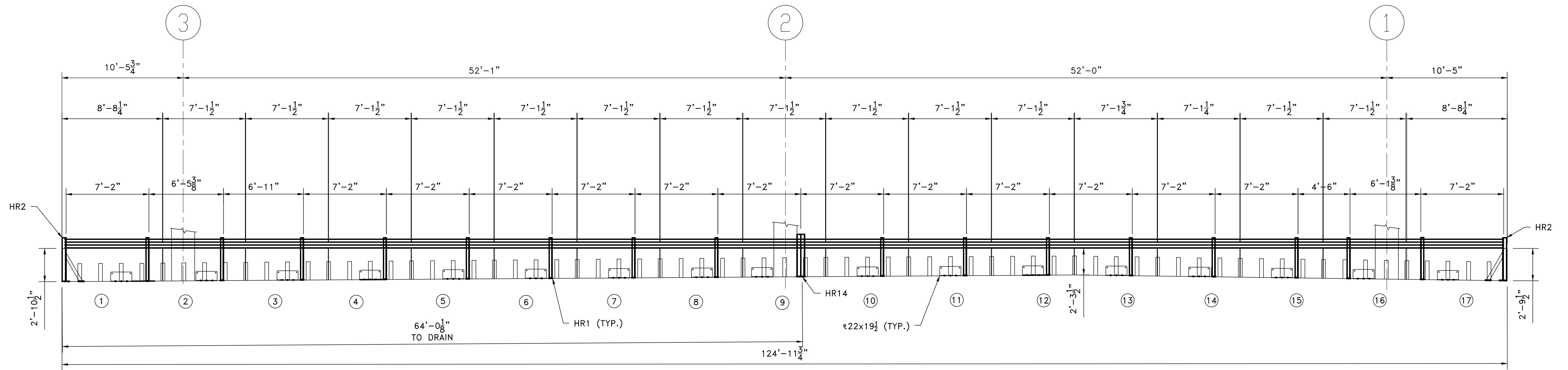
①- REVISION SYMBOL



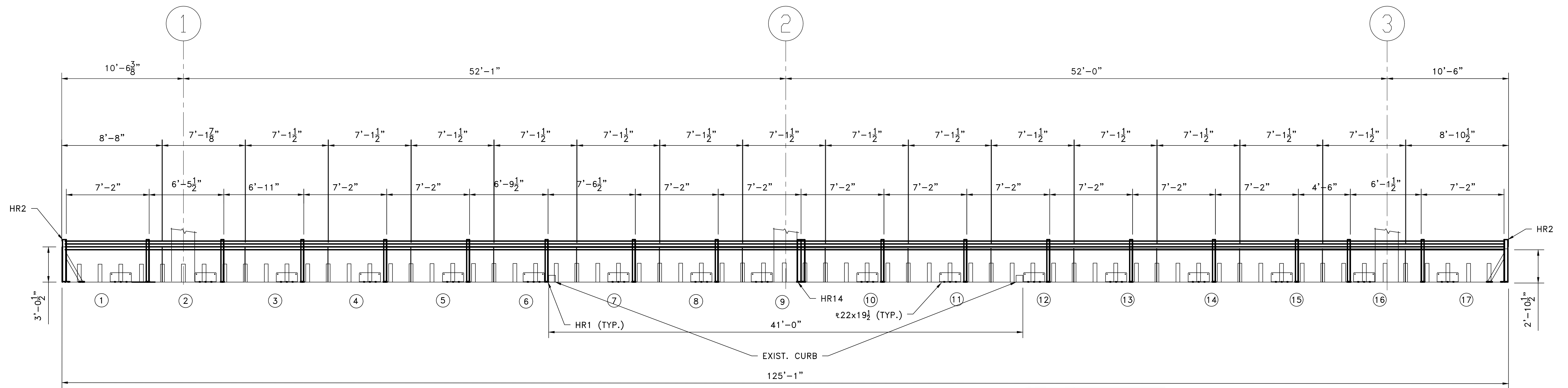
IMMEC
INC.
PO BOX 1066
SOCIAL CIRCLE, GEORGIA 30025

CITY OF GRIFFIN PARKING GARAGE REPAIR STRUCTURAL STEEL PLAN			
DRAWN BY SGR	CHECKED BY WAT	JOB NO 21-0420	DRAWING NO SE101
DATE 08/13/2021	DATE 08/13/2021	PROJ.NO	

NO	DATE	REVISION/DESCRIPTION	PROJECT INFORMATION	
A	08/13/2021	ISSUED FOR APPROVAL	PROJECT:	GRIFFIN PARKING DECK REPAIR
0	08/18/2021	ISSUED FOR CONSTRUCTION	LOCATION:	GRIFFIN, GA
1	09/13/2021	ISSUED FOR CONSTRUCTION	CLIENT:	CITY OF GRIFFIN
2	12/24/2021	ISSUED FOR RECORD	ENGINEER:	IMMEC, INC
			ARCHITECT:	NA

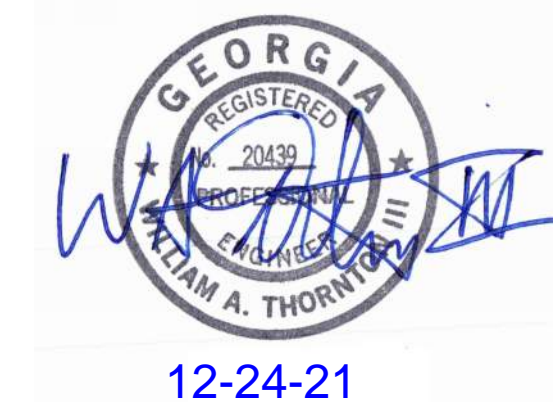


WALL 2



WALL 4

① - REVISION SYMBOL

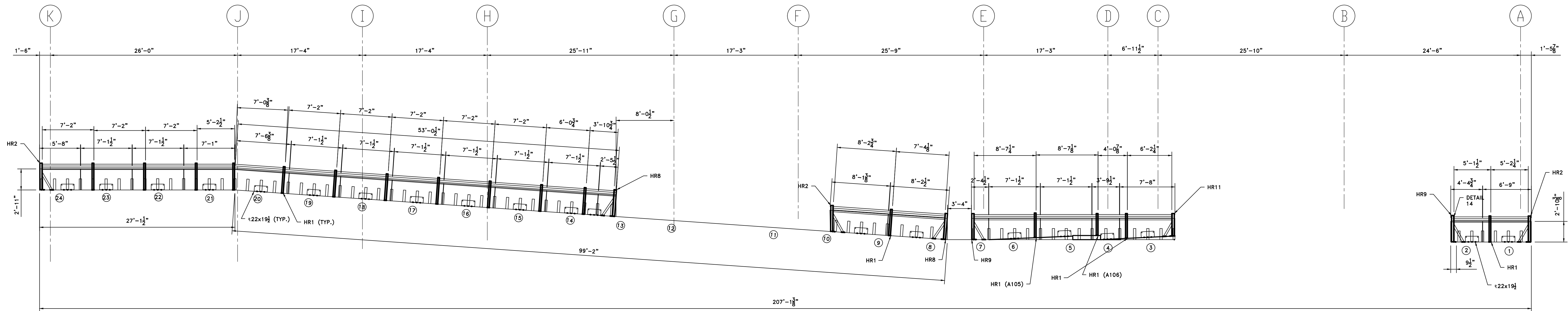


IMMEC
INC.

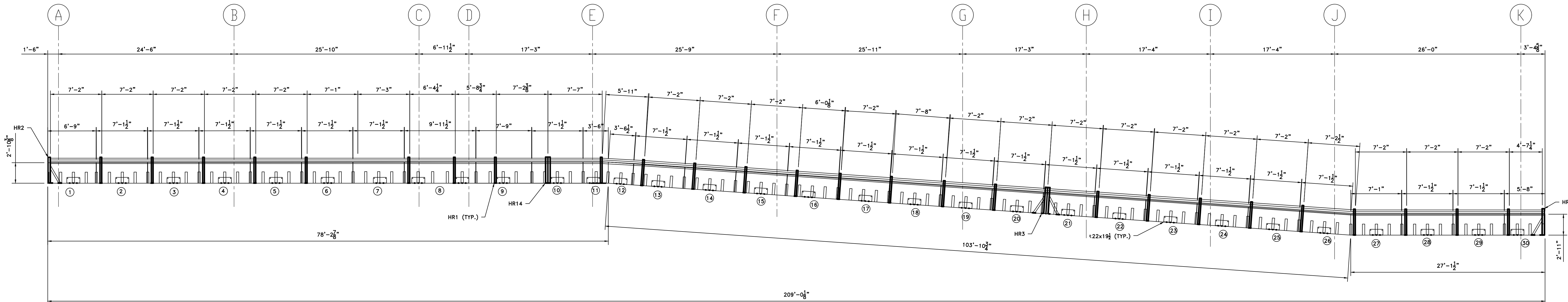
PO BOX 1066
SOCIAL CIRCLE, GEORGIA 30025

NO	DATE	REVISION/DESCRIPTION	PROJECT INFORMATION	
			PROJECT:	GRIFFIN PARKING DECK REPAIR
A	07/22/2021	ISSUED FOR APPROVAL	LOCATION:	GRIFFIN, GA
0	08/18/2021	ISSUED FOR CONSTRUCTION	CLIENT:	CITY OF GRIFFIN
1	09/13/2021	ISSUED FOR CONSTRUCTION	ENGINEER:	IMMEC, INC
2	12/24/2021	ISSUED FOR RECORD	ARCHITECT:	NA

CITY OF GRIFFIN PARKING GARAGE REPAIR EXISTING PANEL SUPPORT & WIRE RAILING ELEVATION VIEW			
DRAWN BY SGR	CHECKED BY WAT	JOB NO 21-0420	DRAWING NO SE102
DATE 03/19/2021	DATE 03/19/2021	PROJ.NO	



WALL 5



WALL 7

① - REVISION SYMBOL

NO	DATE	REVISION/DESCRIPTION	PROJECT INFORMATION	
A	08/13/2021	ISSUED FOR APPROVAL	PROJECT:	GRIFFIN PARKING DECK REPAIR
0	08/18/2021	ISSUED FOR CONSTRUCTION	LOCATION:	GRIFFIN, GA
1	09/13/2021	ISSUED FOR CONSTRUCTION	CLIENT:	CITY OF GRIFFIN
2	12/24/2021	ISSUED FOR RECORD	ENGINEER:	IMMEC, INC
			ARCHITECT:	NA

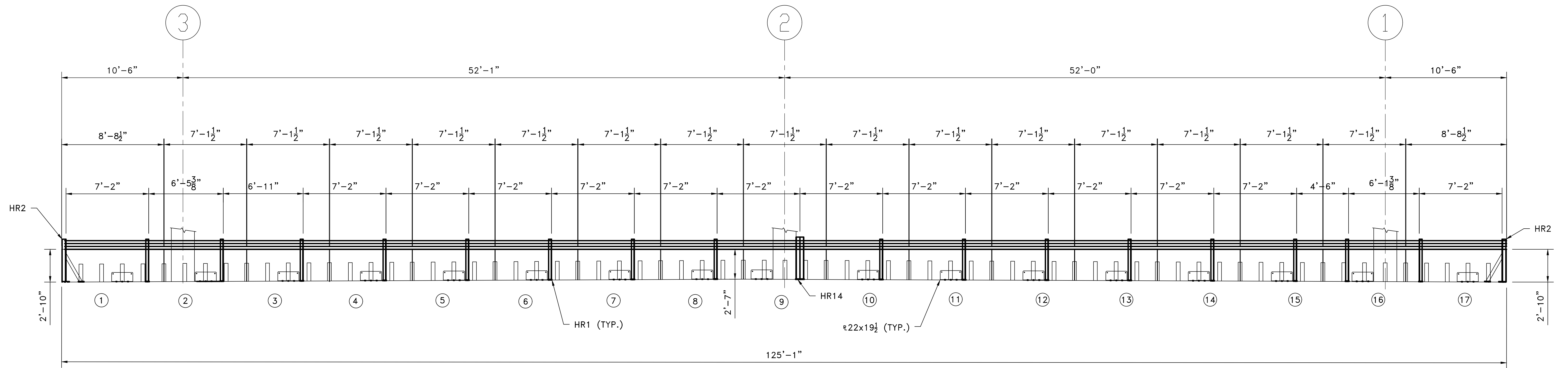


IMMEC
INC.

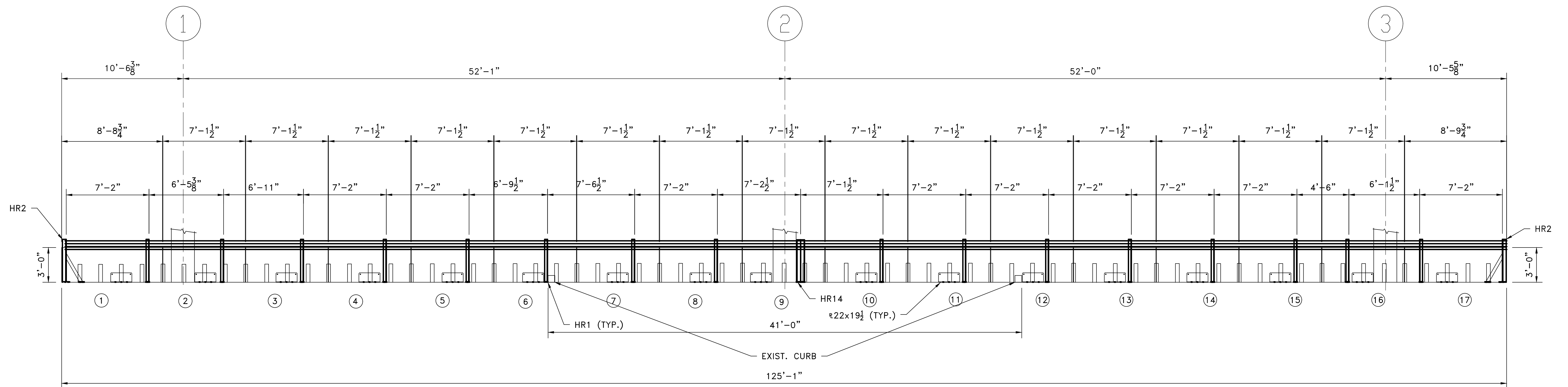
PO BOX 1066
SOCIAL CIRCLE, GEORGIA 30025

CITY OF GRIFFIN PARKING GARAGE REPAIR
STRUCTURAL STEEL
PLAN

DRAWN BY SGR	CHECKED BY WAT	JOB NO 21-0420	DRAWING NO SE103
DATE 08/13/2021	DATE 08/13/2021	PROJ.NO	



WALL 6



WALL 8

① - REVISION SYMBOL

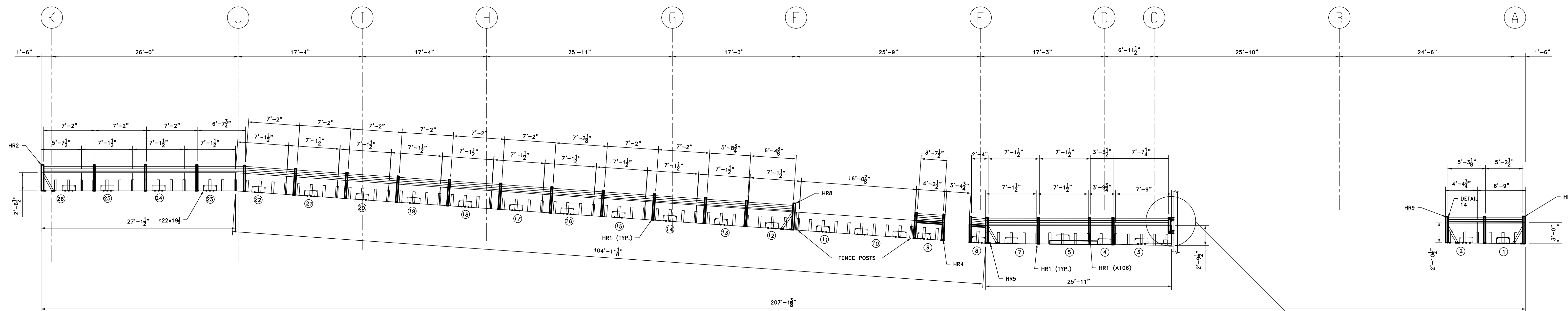


IMMEC
INC.

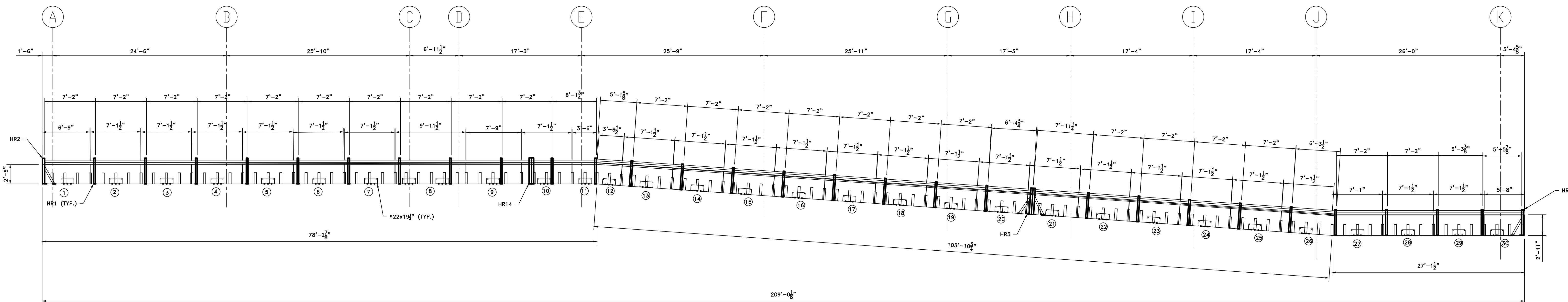
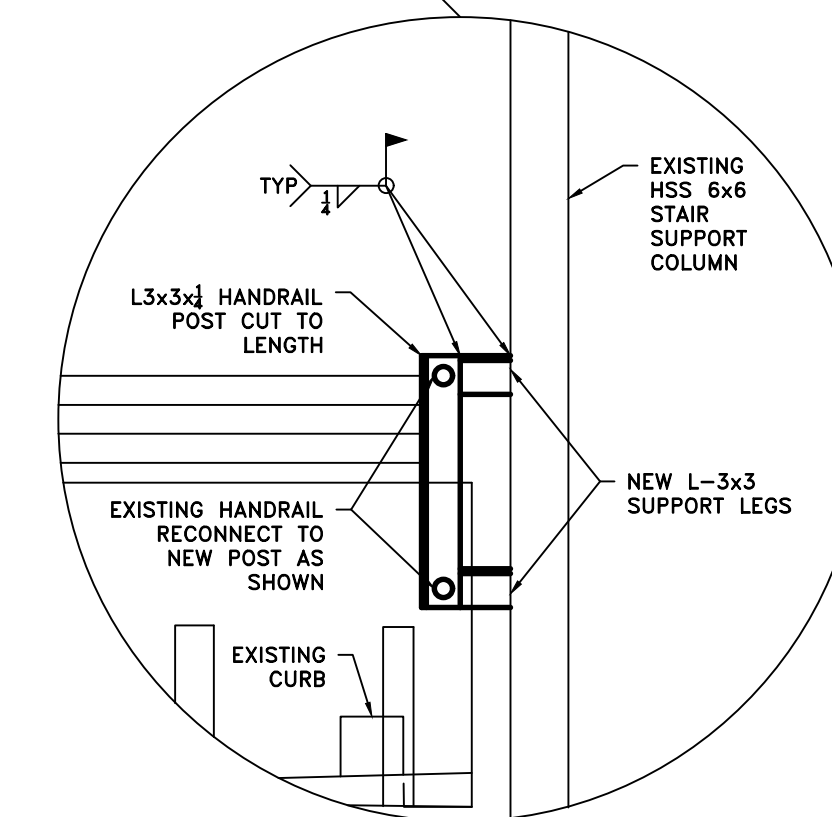
PO BOX 1066
SOCIAL CIRCLE, GEORGIA 30025

NO	DATE	REVISION/DESCRIPTION	PROJECT INFORMATION	
A	07/22/2021	ISSUED FOR APPROVAL	PROJECT:	GRIFFIN PARKING DECK REPAIR
0	08/18/2021	ISSUED FOR CONSTRUCTION	LOCATION:	GRIFFIN, GA
1	09/13/2021	ISSUED FOR CONSTRUCTION	CLIENT:	CITY OF GRIFFIN
2	12/24/2021	ISSUED FOR RECORD	ENGINEER:	IMMEC, INC
			ARCHITECT:	NA

CITY OF GRIFFIN PARKING GARAGE REPAIR EXISTING PANEL SUPPORT & WIRE RAILING ELEVATION VIEW			
DRAWN BY SGR	CHECKED BY WAT	JOB NO 21-0420	DRAWING NO SE104
DATE 03/19/2021	DATE 03/19/2021	PROJ.NO	



WALL 9



WALL 11

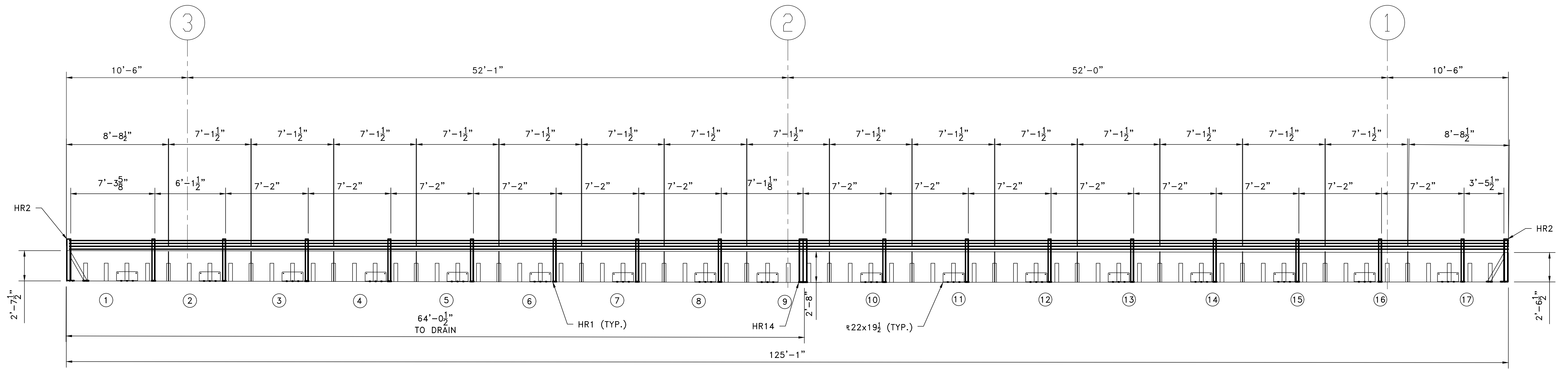
① - REVISION SYMBOL



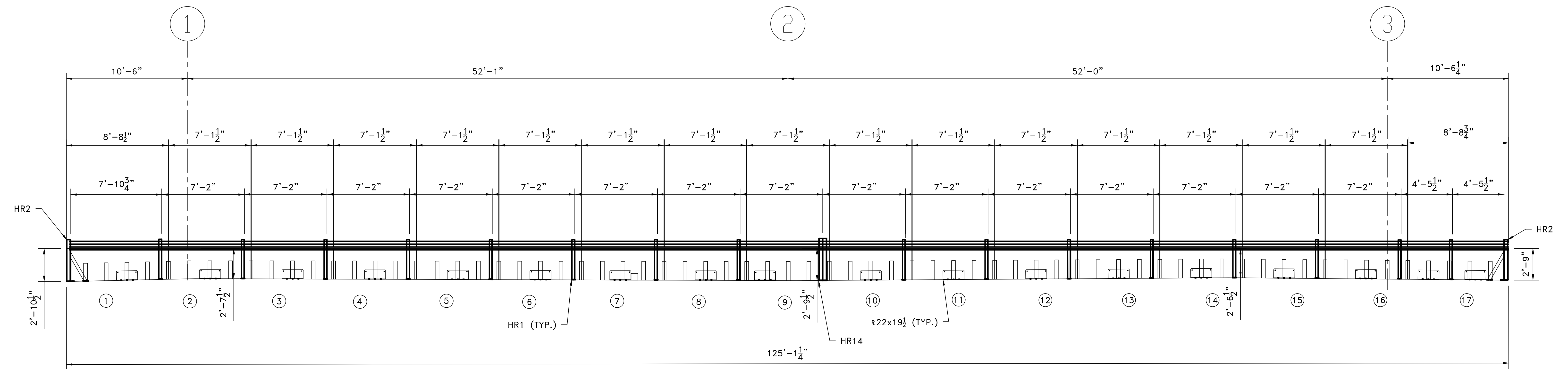
IMMEC INC.
 PD BOX 1066
 SOCIAL CIRCLE, GEORGIA 30025

CITY OF GRIFFIN PARKING GARAGE REPAIR STRUCTURAL STEEL PLAN			
DRAWN BY SGR	CHECKED BY WAT	JOB NO 21-0420	DRAWING NO SE105
DATE 08/13/2021	DATE 08/13/2021	PROJ.NO	

NO	DATE	REVISION/DESCRIPTION	PROJECT INFORMATION	
A	08/13/2021	ISSUED FOR APPROVAL	PROJECT:	GRIFFIN PARKING DECK REPAIR
0	08/18/2021	ISSUED FOR CONSTRUCTION	LOCATION:	GRIFFIN, GA
1	09/13/2021	ISSUED FOR CONSTRUCTION	CLIENT:	CITY OF GRIFFIN
2	12/24/2021	ISSUED FOR RECORD	ENGINEER:	IMMEC, INC
			ARCHITECT:	NA

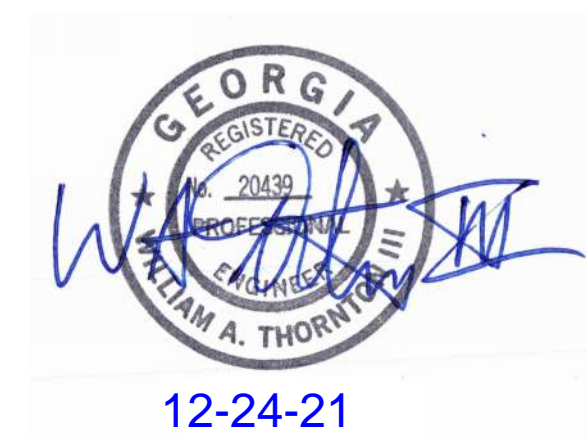


WALL 10



WALL 12

① - REVISION SYMBOL

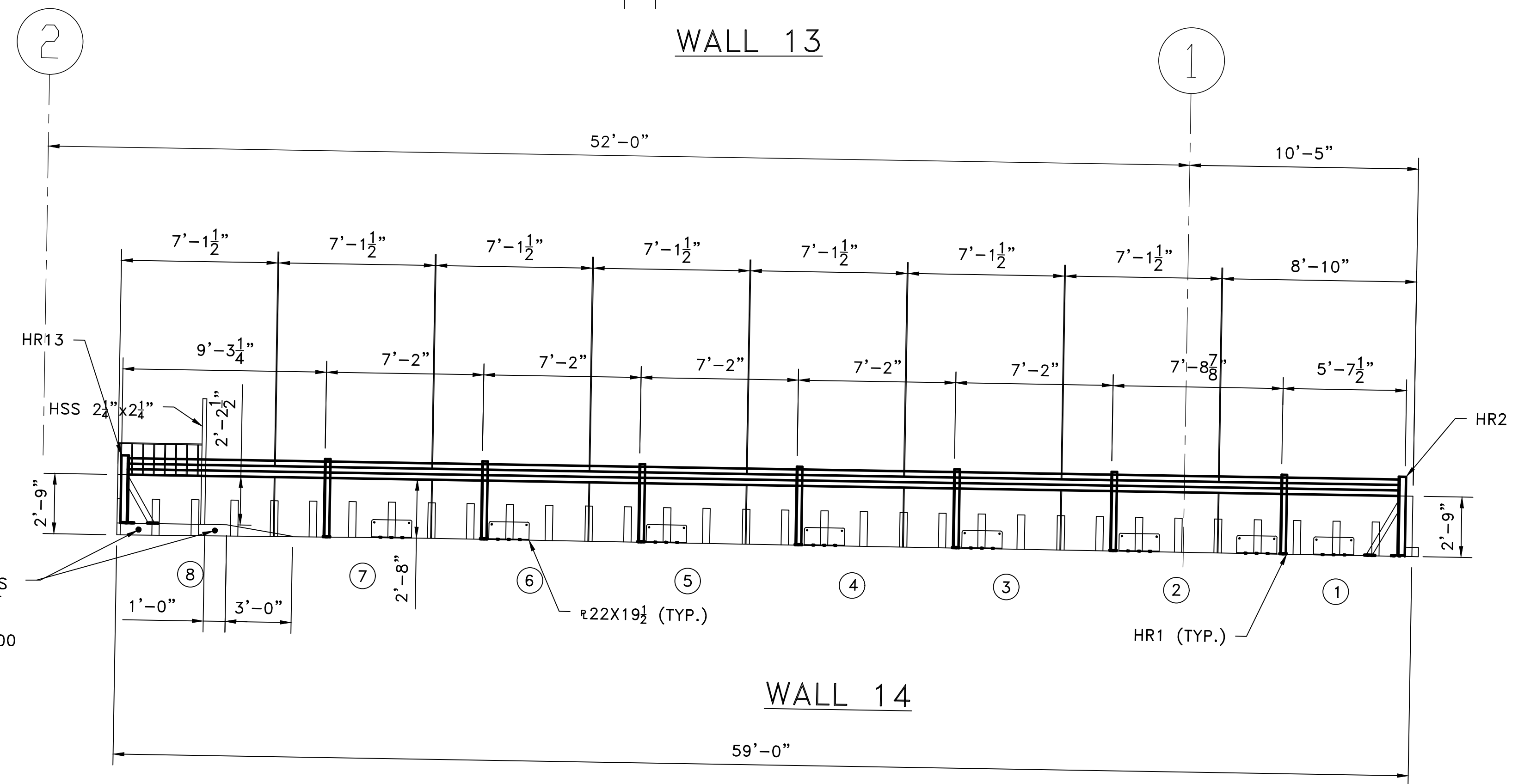
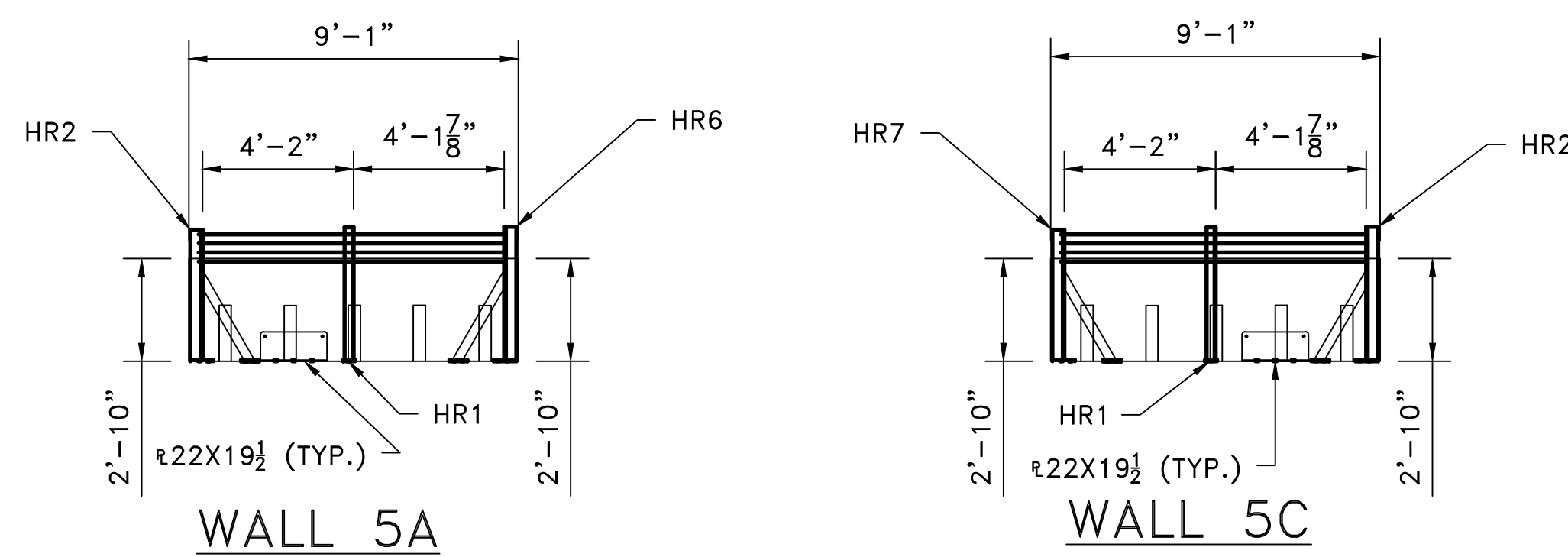
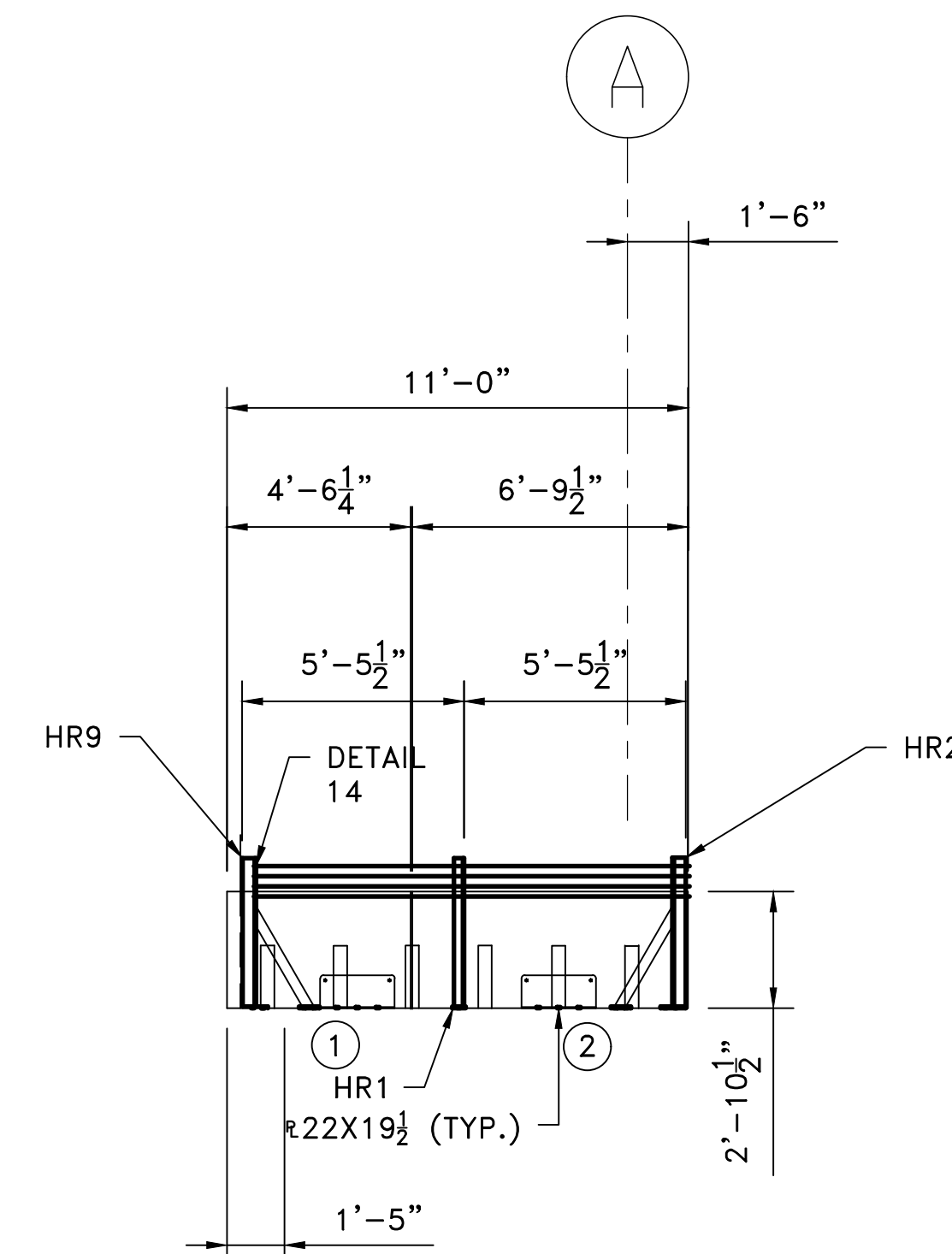
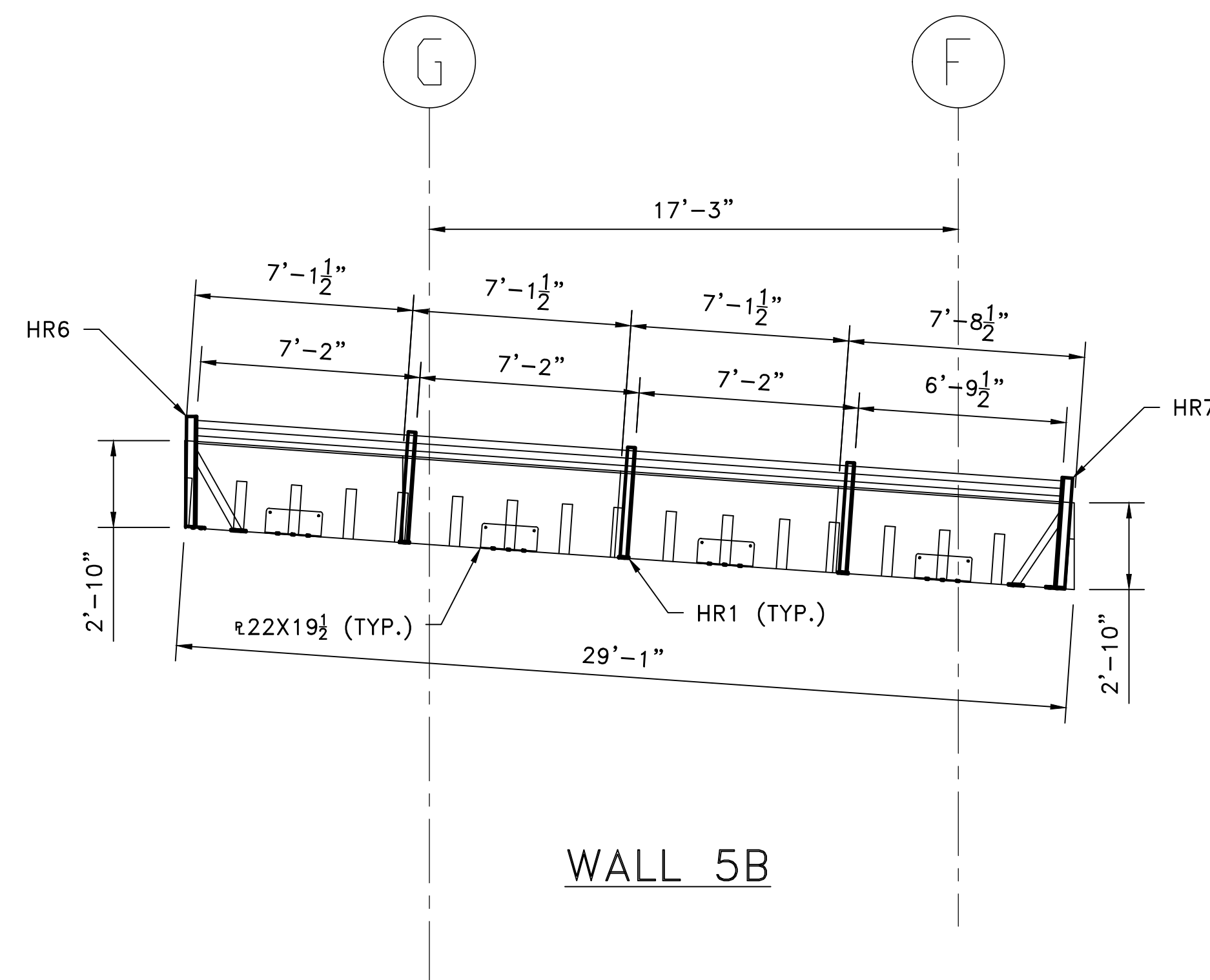


IMMEC
INC.

PO BOX 1066
SOCIAL CIRCLE, GEORGIA 30025

NO	DATE	REVISION/DESCRIPTION	PROJECT INFORMATION	
			PROJECT:	GRIFFIN PARKING DECK REPAIR
A	07/22/2021	ISSUED FOR APPROVAL	LOCATION:	GRIFFIN, GA
0	08/18/2021	ISSUED FOR CONSTRUCTION	CLIENT:	CITY OF GRIFFIN
1	09/13/2021	ISSUED FOR CONSTRUCTION	ENGINEER:	IMMEC, INC
2	12/24/2021	ISSUED FOR RECORD	ARCHITECT:	NA

CITY OF GRIFFIN PARKING GARAGE REPAIR EXISTING PANEL SUPPORT & WIRE RAILING ELEVATION VIEW			
DRAWN BY SGR	CHECKED BY WAT	JOB NO 21-0420	DRAWING NO SE106
DATE 03/19/2021	DATE 03/19/2021	PROJ.NO	



(2) 3/4" ANCHOR BOLTS
DRILL & EPOXY GROUT
TO SECURE PANEL, 8"
EMBEDMENT HILTI HY200

① - REVISION SYMBOL



IMMEC
INC.

PO BOX 1066
SOCIAL CIRCLE, GEORGIA 30025

NO	DATE	REVISION/DESCRIPTION	PROJECT INFORMATION	
A	07/22/2021	ISSUED FOR APPROVAL	PROJECT:	GRIFFIN PARKING DECK REPAIR
0	08/18/2021	ISSUED FOR CONSTRUCTION	LOCATION:	GRIFFIN, GA
1	09/13/2021	ISSUED FOR CONSTRUCTION	CLIENT:	CITY OF GRIFFIN
2	12/24/2021	ISSUED FOR RECORD	ENGINEER:	IMMEC, INC
			ARCHITECT:	NA

CITY OF GRIFFIN PARKING GARAGE REPAIR EXISTING PANEL SUPPORT & WIRE RAILING ELEVATION VIEW			
DRAWN BY SGR	CHECKED BY WAT	JOB NO 21-0420	DRAWING NO
DATE 03/19/2021	DATE 03/19/2021	PROJ.NO	SE107