



**PURCHASING
AND MATERIALS
MANAGEMENT**

**City of Myrtle Beach
SOUTH CAROLINA**

**(843) 918-2170
FAX: (843) 918-2182
www.cityofmyrtlebeach.com**

**Addendum #2
October 7, 2022
IFB 23-B0015
Replacement Stair for Myrtle Beach Museum**

The purpose of this Addendum #2 to IFB 23-B0015 for Replacement Stair for Myrtle Beach Museum, dated October 7, 2022, and previously amended on September 26, 2022, is to clarify the stainless steel washer usage, what existing 6 x 6 posts are to remain, and cross bracing at intermediate posts.

Clarifications

- 1 Reference Drawing S1- Stainless steel washers as noted [2" x ¼"] on sheet S1 shall be considered nominal and may be provided as standard for ¾" bolts.
2. Reference Bulletin Drawing S1 – Contractor's attention is directed to framing plan detail 1/S1. For clarification, existing 6x6 posts at the edge of the existing structure are to remain. Cross bracing at intermediate posts is to be omitted.

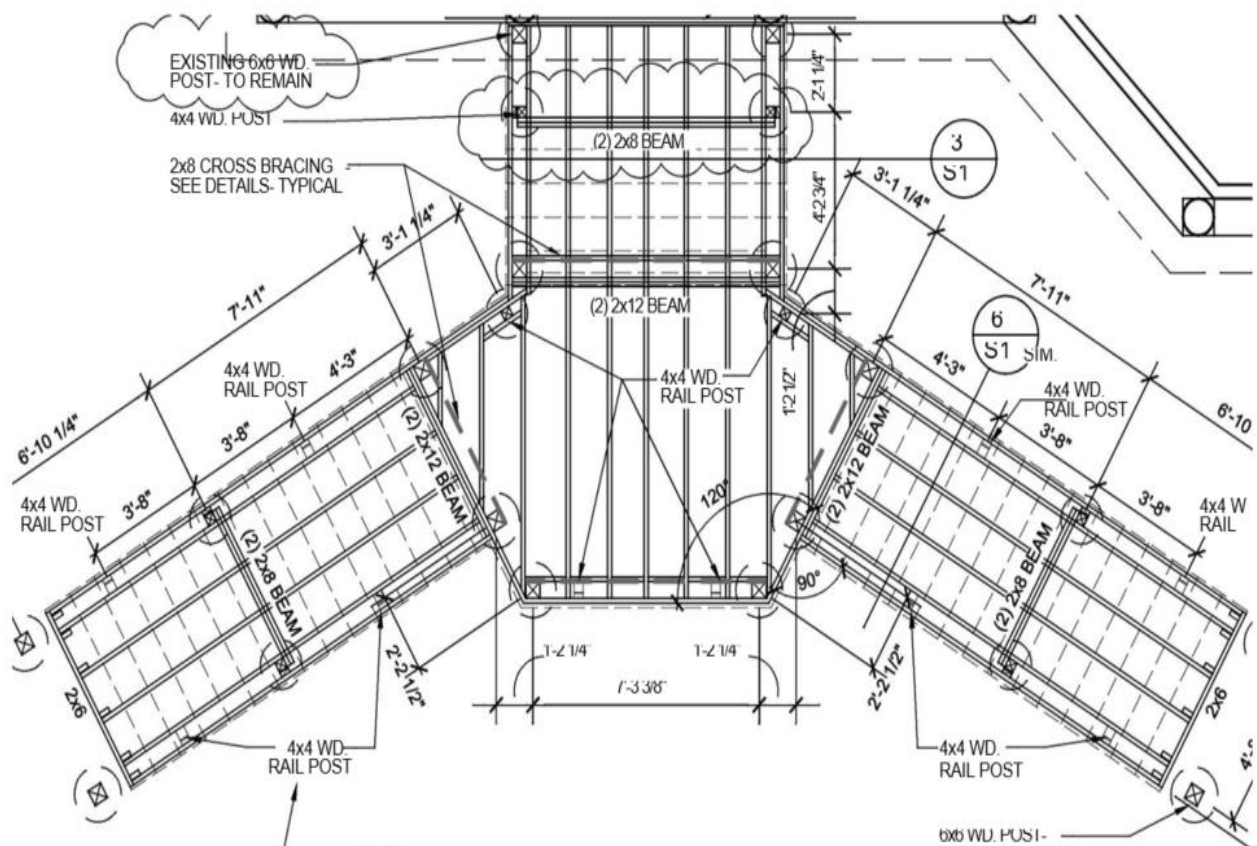
Drawings

1. Sheet S1 – Framing and Foundation Sections
 - A. Contractor's attention is directed to Bulletin Drawing (attached herewith consisting of 1 page) for clarification regarding existing 6x6 posts and cross bracing.

Bids will be received until 2:00PM (Local Time) on Tuesday, October 11, 2022. No electronic submissions will be accepted. The City is not responsible for late or misdirected mail.

Please send in your sealed bid to the address below:

City of Myrtle Beach
3231 Mr. Joe White Avenue
Myrtle Beach, SC 29577
Attn: Purchasing Department/David Bernstein



1 FRAMING PLAN
S1 SCALE: 1/4"=1'-0"

4x4 WD. RAIL POST DOES NOT EXTEND TO FOOTING- PROVIDE (2) 5/8" DIA. THRU BOLTS INTO STRINGER W/ WD. BLOCKING SPACER- TYP.

6x6 WD. POST - CONC. FOOTING- SEE 2/S1- TYP.