

FLOOR PLAN / LIFE SAFETY PLAN
1/4" = 1'-0"

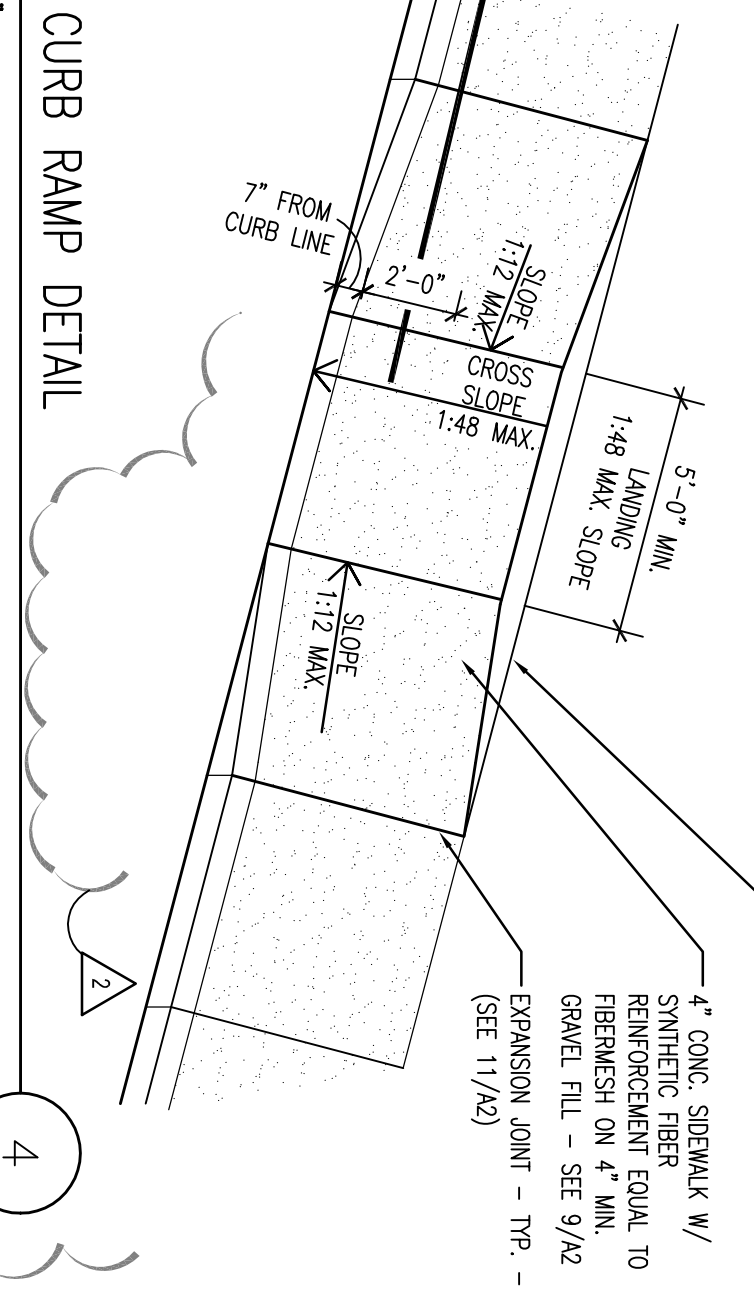
FLOOR PLAN LEGEND

- TED BRICK KEREX ON 1" MIN. ASPRCE ON 1 1/2" MIN. R-7.5 CONTINUOUS INSULATION EQUAL TO FOMULAR 250 XPS ON FLUID APPLIED WEATHER BARRIER OVER 5/8" DENS GLAS GOLF SHEATHING ON 6" METAL STUDS @ 16" O.C. WITH MIN. R-13 BATT INSULATION AND 1/2" GRP BOARD ON INTERIOR.
- 1/2" GRP BOARD ON EACH SIDE OF 3-5/8" (MIN.) METAL STUDS @ 16" O.C. W/ SOUND ATTENUATING BATT INSULATION.
- 1/2" GRP BOARD ON 7/16" ANGIOCORE LEVEL 3 BULLET RESISTANT PANEL ON 3-5/8" (MIN.) METAL STUDS @ 16" O.C. W/ SOUND ATTENUATING BATT INSULATION AND 1/2" GRP BOARD ON REVERSE. SEE 7/A4.
- ANGIOCORE PANELS ABOVE AND BELOW WINDOWS.
- WALL MOUNTED 5 LB. AB. MULTIPHASE CHEMICAL FIRE CEMENT SHALL BE APPLIED TO INTERESTER MASSBORER SERIES MODEL 1017 FLO - MOUNT TOP @ 60" A.F.F. - ALL NEW AND EXISTING FIRE EXTINGUISHERS MUST DISPLAY A CURRENT SERVICE TAG FROM A LICENSED SERVICE COMPANY - MODIFY THE LAYOUT AND LOCATION OF FIRE EXTINGUISHERS IF NECESSARY AS DIRECTED BY THE FIRE MARSHAL AND ALL APPROVED AUTHORITIES.
- WINDOW / DOOR DESIGNATION - SEE SHEET A4.
- FURNITURE BY OWNER - NOT IN CONTRACT (N.I.C.)
- FRONT DOOR PANIC LOCK AND SIDE DOOR BUTZER - SEE SHEET E101.
- VEHICLE GATE CONTROLLER - SEE SHEET E101.
- THERMOSTAT - SEE SHEET M101.
- FLOOR DRAIN - SEE SHEET P101.
- GROUND CLEANOUT WITH CAST IRON COVER FLUSH WITH SIDEWALK - SEE SHEET P101.
- FROST PROOF HOSE BIBB - SEE SHEET P101.
- WEATHER PROOF ELECTRICAL OUTLET - SEE SHEET E101.

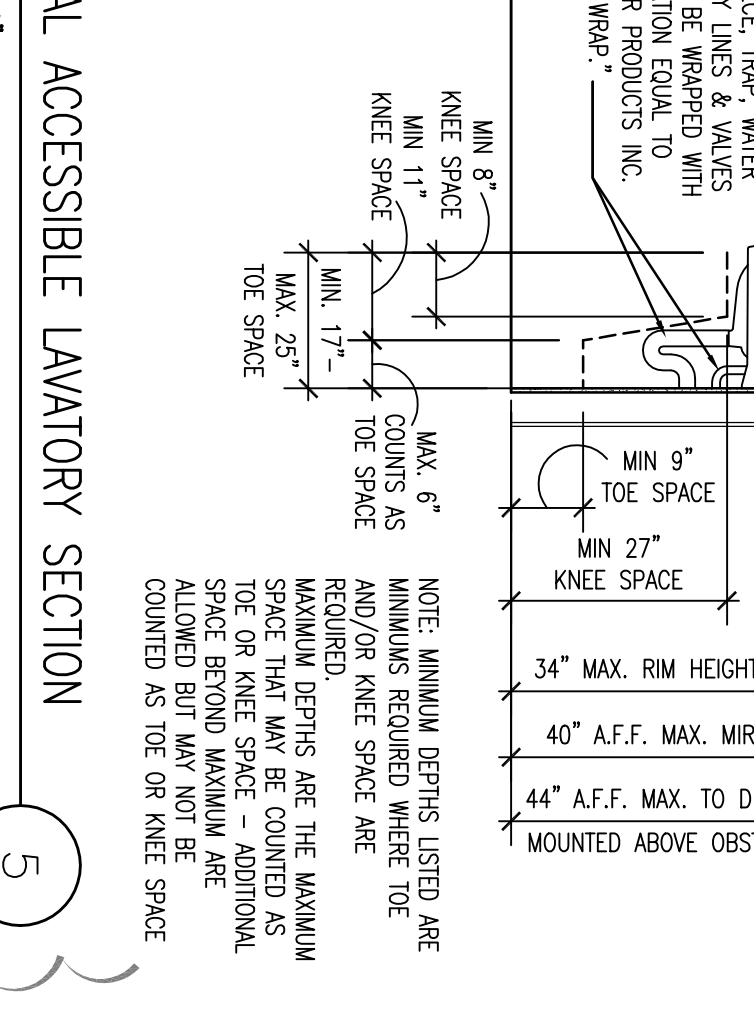
LIFE SAFETY LEGEND

- ROOM OCCUPANT LOAD CALCULATION
- ROOM NAME
- ROOM NUMBER, FINISH TYPE, CEILING HEIGHT
- AREA OF ROOM (GROSS OR NET)
- OCCUPANT LOAD FACTOR
- OCC. LOAD
- CALCULATED OCCUPANT LOAD
- EGRESS COMPONENT
- EXIT CALCULATION
- EXIT DESCRIPTION
- CLEAR WIDTH PROVIDED
- REQUIRED EGRESS WIDTH CALCULATION
- OCCUPANT LOAD USING THIS EXIT

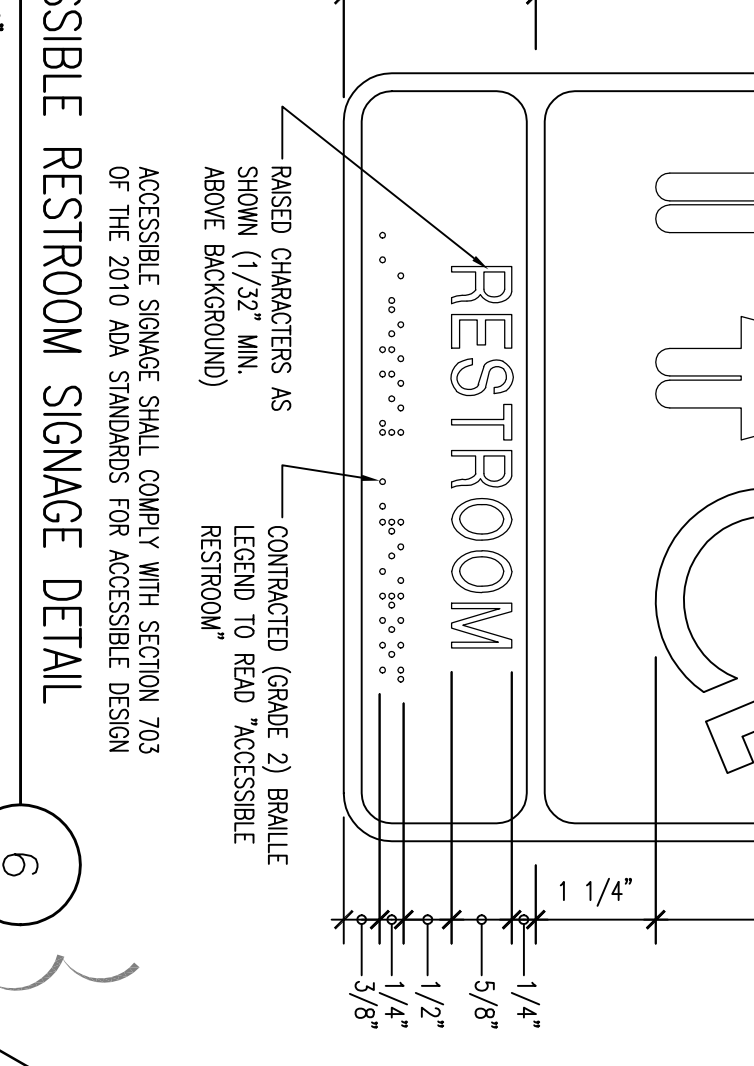
INLINE CURB RAMP DETAIL
1/4" = 1'-0"



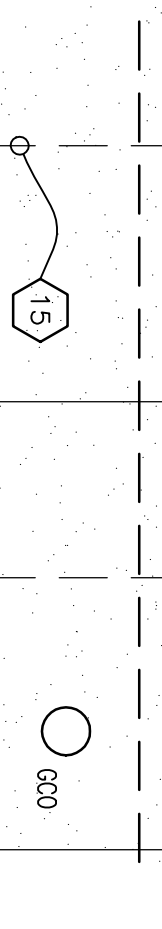
TYPICAL ACCESSIBLE LAVATORY SECTION
1/2" = 1'-0"



ACCESSIBLE RESTROOM SIGNAGE DETAIL
1/2" = 1'-0"



ENLARGED PLAN TOILETS 101 & 106
1/2" = 1'-0"



ENLARGED PLAN
KEYED NOTES

- 60" CLEAR TURNING AREA REQUIRED INSIDE EACH ROOM - MAY OVERLAP DOOR SWING - MAY INCLUDE KNEE SPACE AT TURNOUT.
- ACCESSIBLE WATER CLOSET: MIN. OF TOILET SEAT SHALL BE 17" MIN TO 19" MAX. A.F.F. WITH MIN. CLEARANCE MIN. BE 4" MAX A.F.F. SEE SHEET P101.
- 60" x 59" CLEAR FLOOR SPACE (FLOOR MOUNTED W/).
- WALL-HUNG ACCESSIBLE LAVATORY - MOUNT TO WALL - MIN. SHALL BE 34" MAX. A.F.F. WITH KNEE CLEARANCE MIN. 27" HIGH x 8" DEEP FROM FRONT RIM AND TOP CLEARANCE MIN. 9" HIGH x 16" DEEP FROM FRONT RIM. THE LINES & WALLS SHALL BE WARPED WITH INSULATION EQUAL TO BROOKER PRODUCTS MC "TAP" WARP" - SEE 5/A3 & SHEET P101.
- 30" x 48" REQUIRED CLEAR FLOOR AREA IN FRONT AND UNDERNEATH THE ACCESSIBLE LAVATORY.
- 42" GRAB BAR STARTING AT 12" FROM REAR WALL, MOUNTED 34" A.F.F. - SEE 5/A3.
- 36" GRAB BAR STARTING 12" FROM C A.F.F. - SEE 5/A3.
- 18" VERTICAL GRAB BAR MOUNTED @ 40" A.F.F. TO BOTTOM OF BAR AND 40" FROM BACK WALL TO CENTERLINE OF TOILET PAPER DISPENSER WITH OUTLET TO PASS AND 9" FROM THE FRONT A.F.F. TO THE CENTER LINE OF THE DISPENSER - SEE 5/A3.
- SURFACE MOUNTED HAND OPERATOR EQUAL TO EXISTING AIR AOA ANT-SS OPERATOR BY AMERICAN BRER - MOUNT W/ CONTROLS AT 48" MAX A.F.F.
- ADA COMPLIANT TOILET SIGNAGE - MOUNT WITH TOP OF SIGN @ 60" A.F.F. - SEE 11/A3.
- MIRROR - BOTTOM OF VIEWING AREA SHALL BE 9" MIN TO 40" MAX A.F.F. - TOP SHALL BE 72" MIN A.F.F. - CENTER OVER WAINIT OR SINK - SEE 5/A3.
- WALL MOUNTED SOAP DISPENSER - MOUNT W/ SOAP WAVE AT 44" MAX. A.F.F. - SEE 5/A3.
- 32" MIN. CLEAR DOOR.
- 54" W x 60" D CLEAR FLOOR AREA REQUIRED ON FULL SIDE OF DOOR OR SHALL DOOR (FROM APPROACH).
- 48" X 48" CLEAR FLOOR AREA REQUIRED ON BOTH SIDE OF DOOR (FROM APPROACH) IF CLOSER AND LATCH ARE PROVIDED).

DRAWING NAME: FLOOR PLAN, NOTES AND DETAILS

COPYRIGHT: 2018

REVISION DATE: 04/26/19

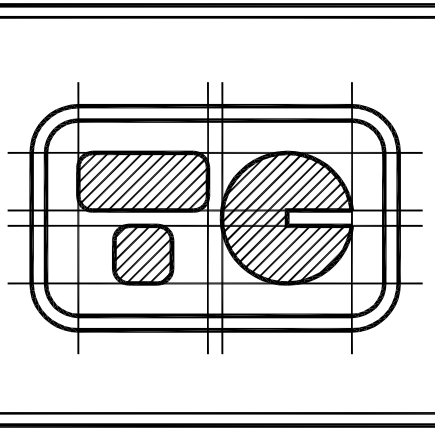
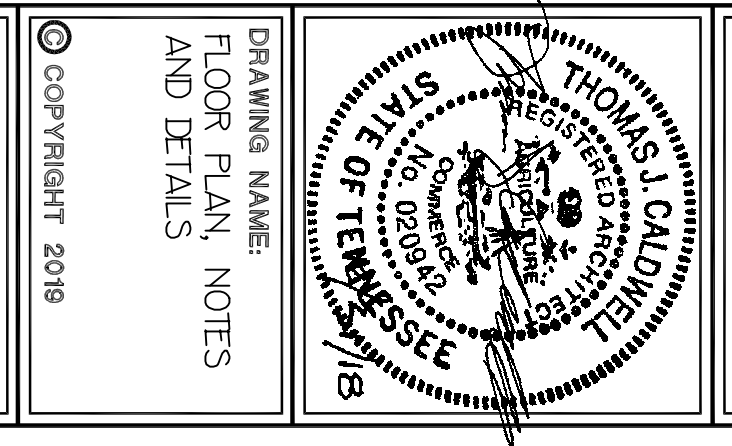
DATE: 12/31/18

DRAWN BY: VAD

CHKD. NO.: 1612

SHEET: 6 OF 25

DRAWING NO.: A3



THOMAS CALDWELL, ARCHITECT
6500 PAPERMILL DRIVE, SUITE 211
KNOXVILLE, TENNESSEE 37919-4819
(865) 588-0860 (865) 558-9844/FAX
HTTP://www.tcarchitect.com

A NEW FACILITY FOR:
CITY OF KNOXVILLE
VEHICLE IMPOUNDMENT
KNOXVILLE, TENNESSEE