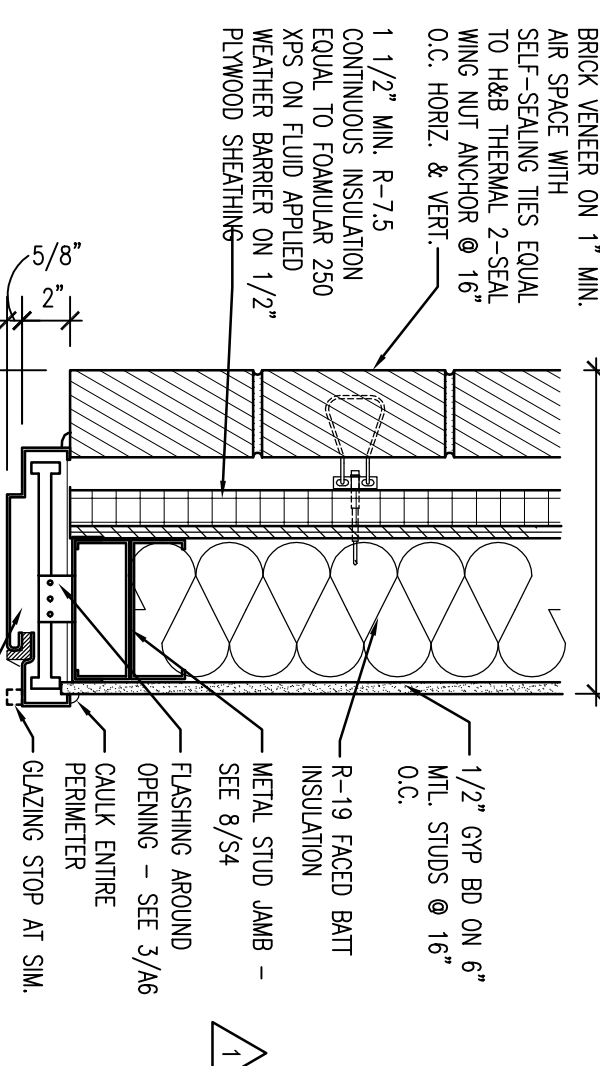
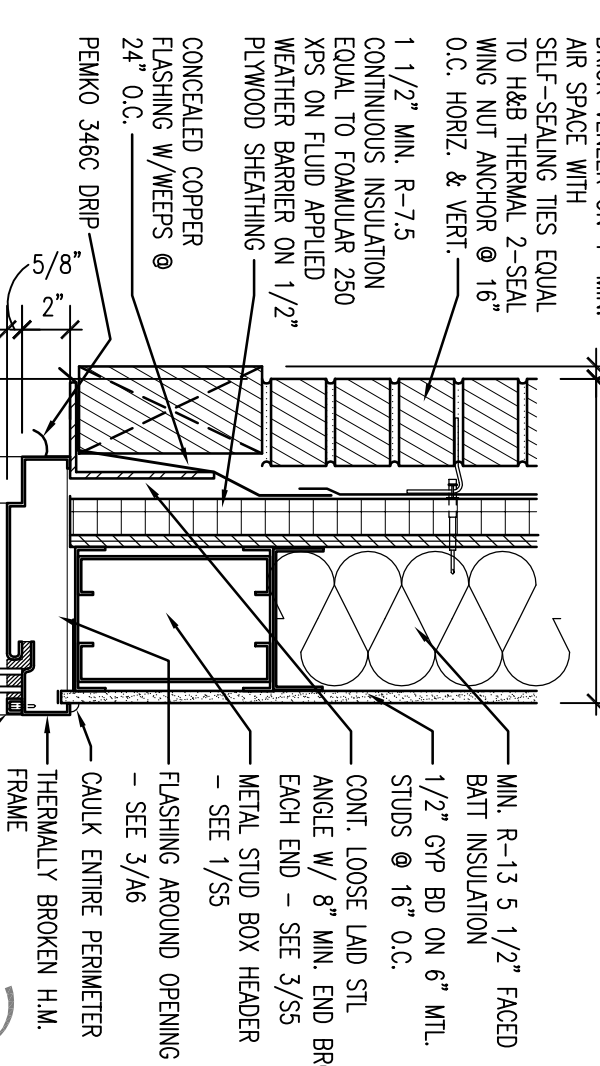


DOOR NUMBER	DOOR SIZE	THICKNESS	TONE	MATERIAL	GLASS	FRAME	HARDWARE	REMARKS
1000	3'-0" x 7'-0"	1 3/4"	HG	H.M.	H.M.	1 (S&U)	1	
1008	3'-0" x 7'-0"	1 3/4"	HG	H.M.	H.M.	1 (S&U)	1	
1009	3'-0" x 7'-0"	1 3/4"	HG	H.M.	H.M.	1 (S&U)	1	
101	3'-0" x 7'-0"	1 3/4"	HG	H.M.	H.M.	1 (S&U)	1	
102	3'-0" x 7'-0"	1 3/4"	HG	H.M.	H.M.	1 (S&U)	1	
103A	3'-0" x 7'-0"	1 3/4"	HG	H.M.	H.M.	1 (S&U)	1	
103B	3'-0" x 7'-0"	1 3/4"	HG	H.M.	H.M.	1 (S&U)	1	
104	3'-0" x 7'-0"	1 3/4"	HG	H.M.	H.M.	1 (S&U)	1	
105	3'-0" x 7'-0"	1 3/4"	HG	H.M.	H.M.	1 (S&U)	1	
106	3'-0" x 7'-0"	1 3/4"	HG	H.M.	H.M.	1 (S&U)	1	
107	3'-0" x 7'-0"	1 3/4"	HG	H.M.	H.M.	1 (S&U)	1	

DOOR & OPENING SCHEDULE



FINISH	FLOOR	BASE	WALL	CEILING	NOTES
A	VCT	VMT	FR. GYP BOARD / ARMORCORE	SIS AC TILE	SEE NOTE 1.
B	VCT	VMT	FR. GYP BOARD / FR. WCT TO 4'-0" AFF.	SIS AC TILE	
C	VCT	VMT	FR. GYP BOARD	SIS AC TILE	
D	VCT	VMT	FR. GYP BOARD / FR. WCT TO 4'-0" AFF.	SIS AC TILE	

FINISH SCHEDULE NOTES
 1. ARMORCORE LEVEL 3 BULLET RESISTANT FIBERGLASS PANELS BEHIND GYP. BOARD AT WALL BETWEEN 100 AND 102 - SEE 7/44 & 9/47

A NEW FACILITY FOR:
**CITY OF KNOXVILLE
 VEHICLE IMPOUNDMENT**
 KNOXVILLE, TENNESSEE

DOOR & OPENING SCHEDULE ABBREVIATIONS

ALUM. ALUMINUM
 EXIST. EXISTING
 FLUSH FLUSH
 FG. FINISH GLASS
 FG. FINISH GLASS
 HG. HALF GLASS
 HOLLOW HOLLOW METAL
 HM. SOLID CORE WOOD
 HW. HARDWARE
 ISOL. INSULATED
 MD. MIDDLE
 WOOD WOOD

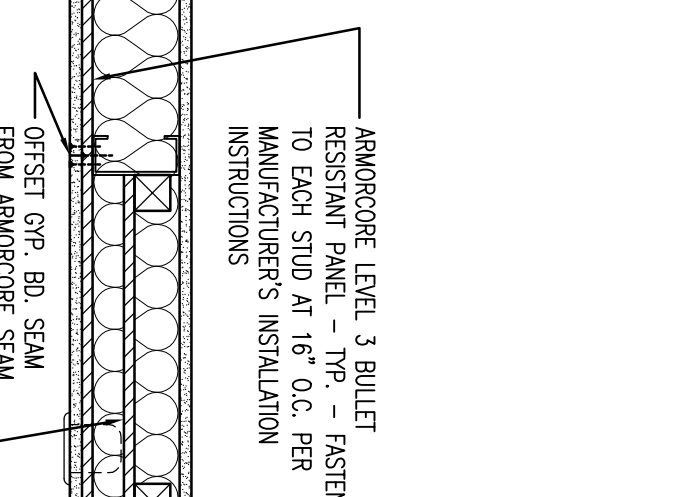
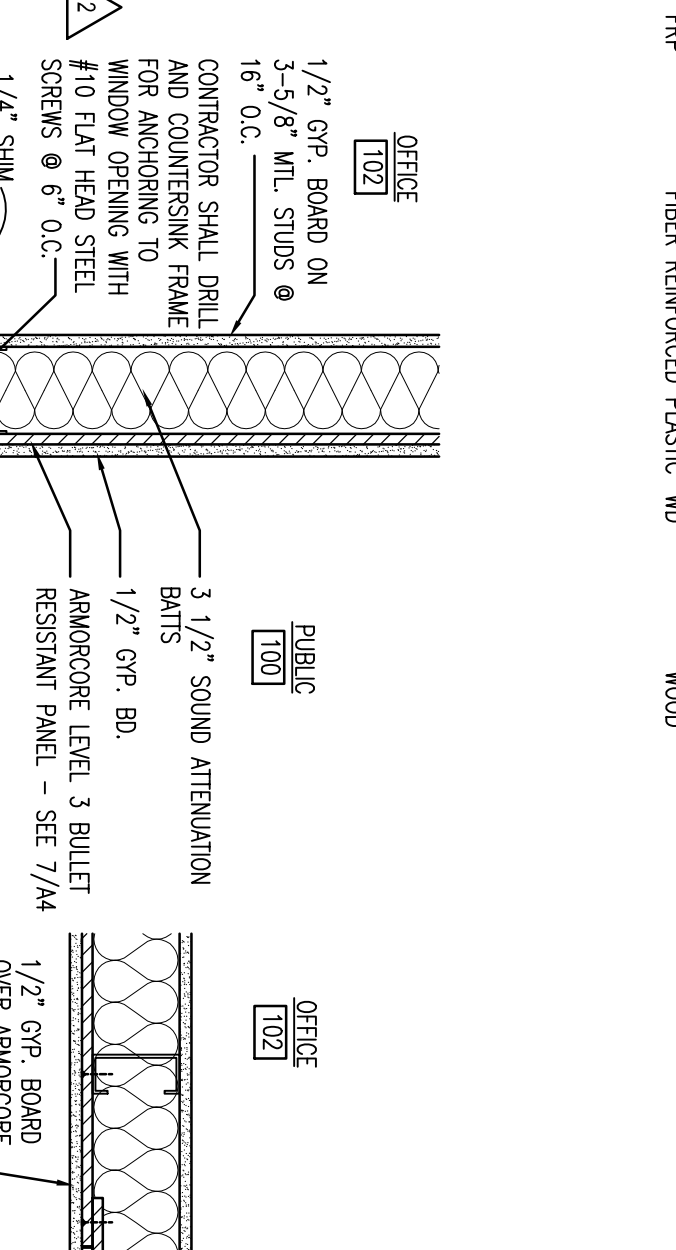
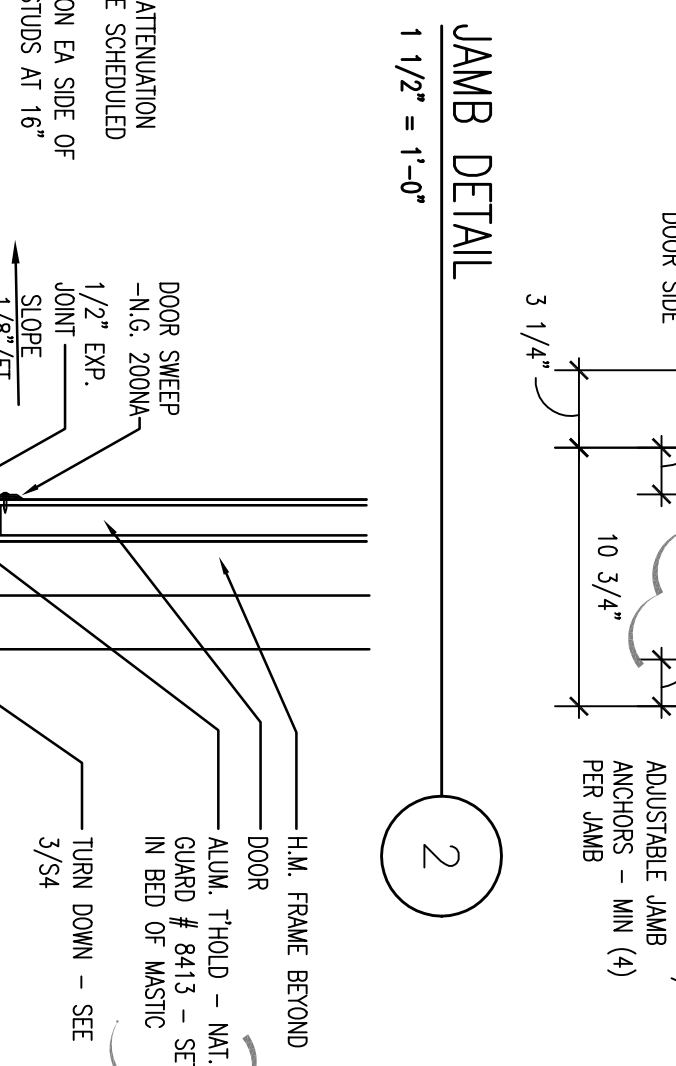
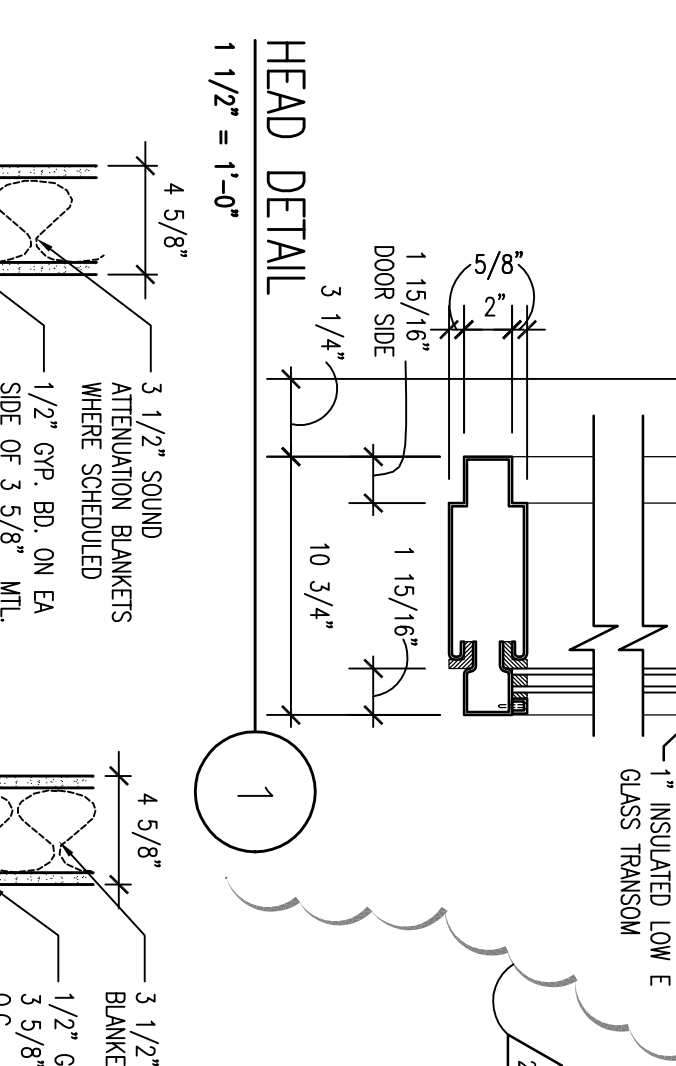
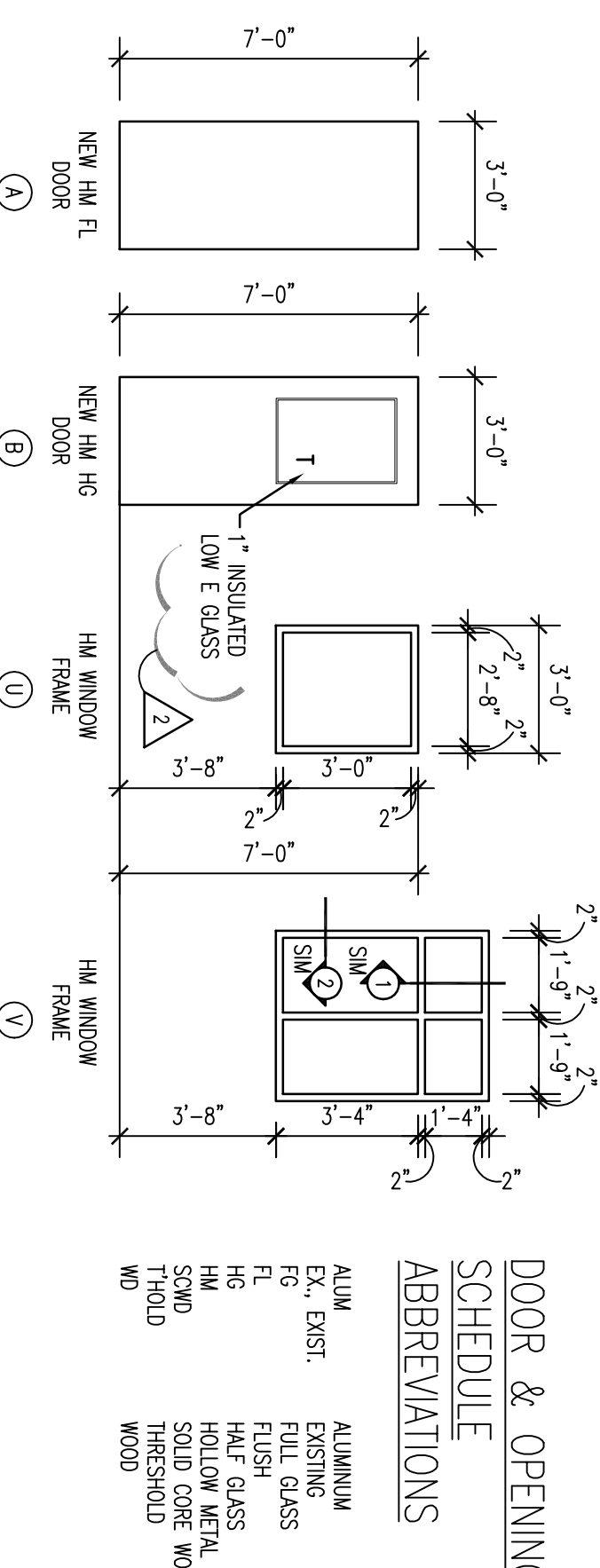
AC. ACQUISITION
 AFF. ABOVE FINISHED FLOOR
 A.F.F. ABOVE FINISHED FLOOR
 BRD. BOARD
 FB. FIBER REINFORCED PLASTIC
 FR. FR. GYP BOARD
 GYP. GYP BOARD
 LR. L.R. IMPACT RESISTANT
 WCT. WOOD COMPOSITION TILE
 WOOD WOOD

OFFICE OFFICE
 PUBLIC PUBLIC
 PUBLIC PUBLIC

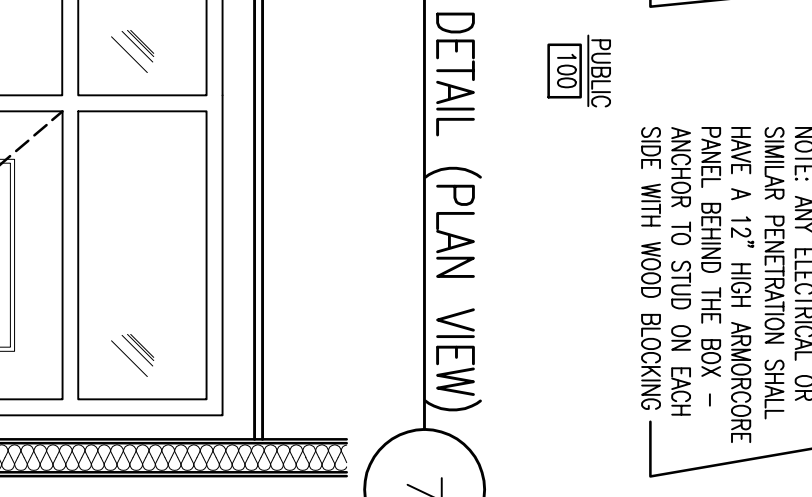
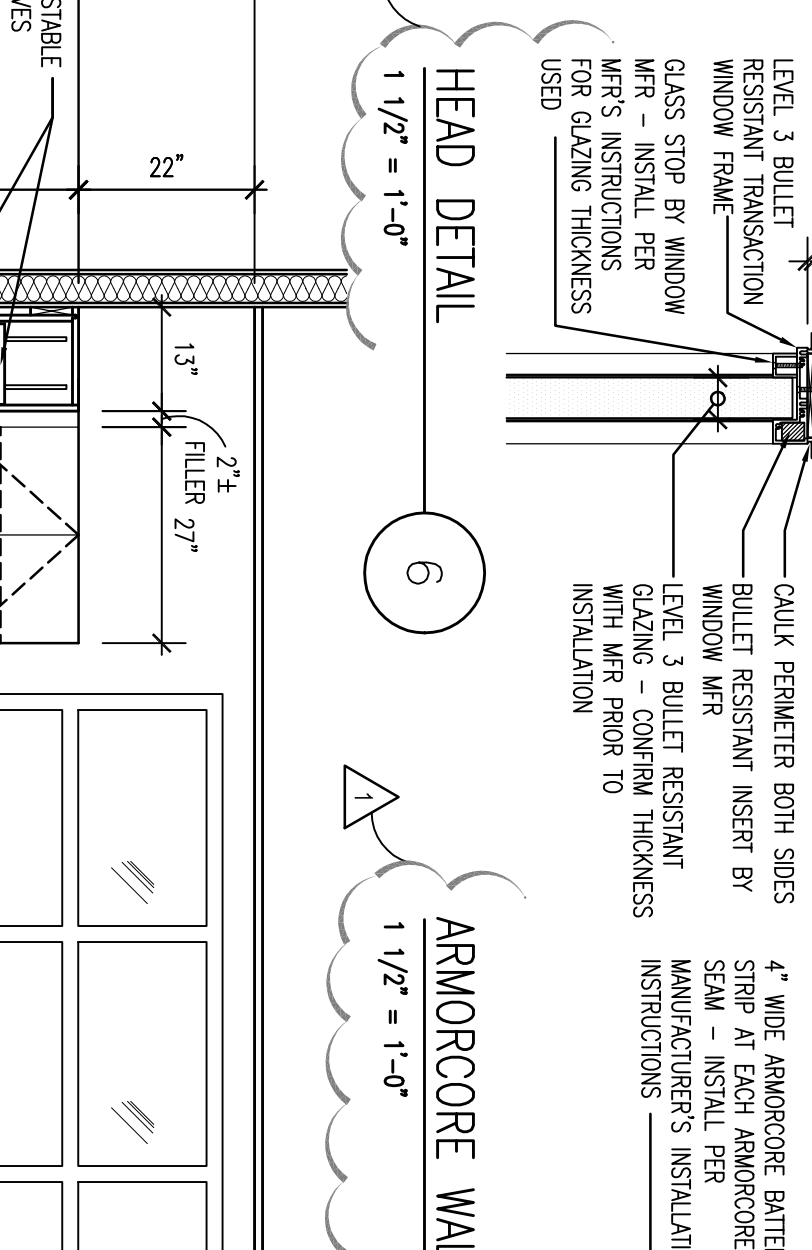
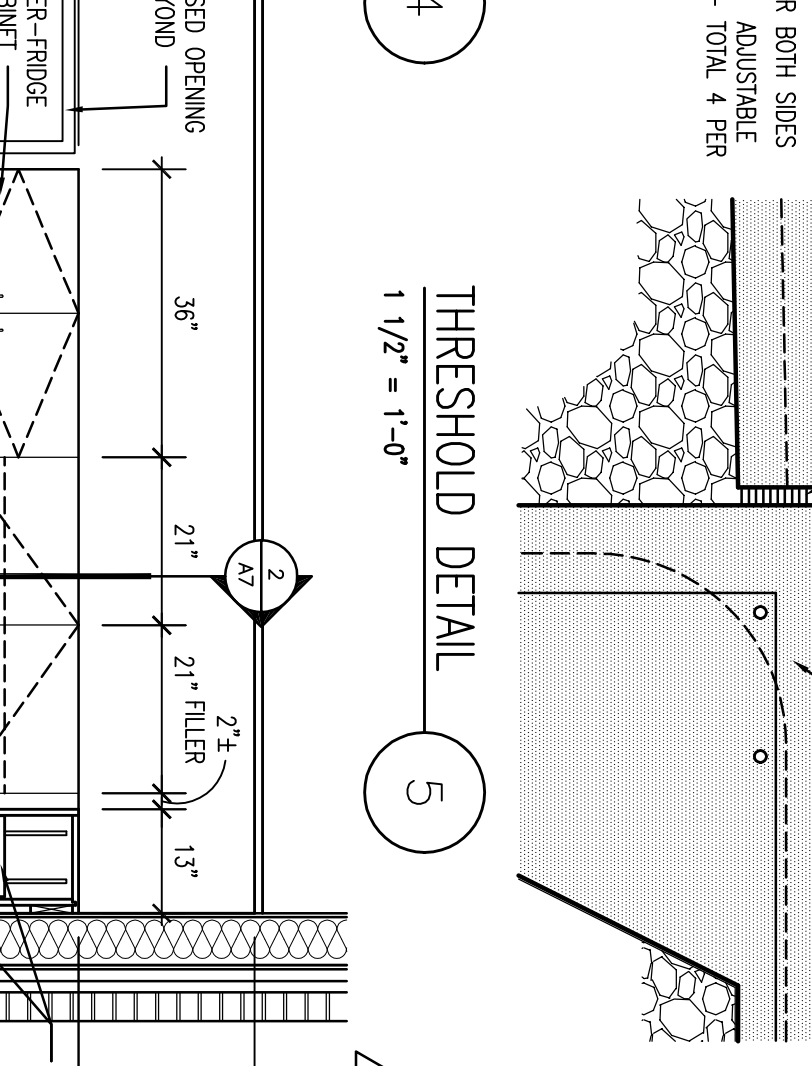
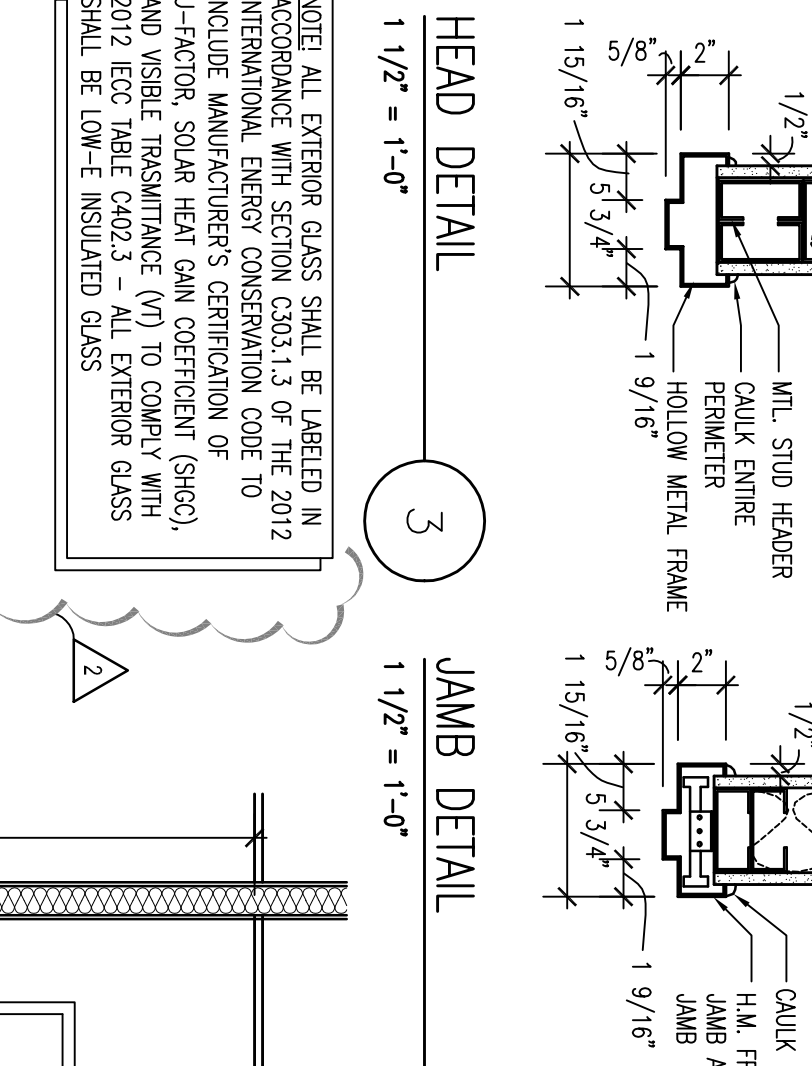
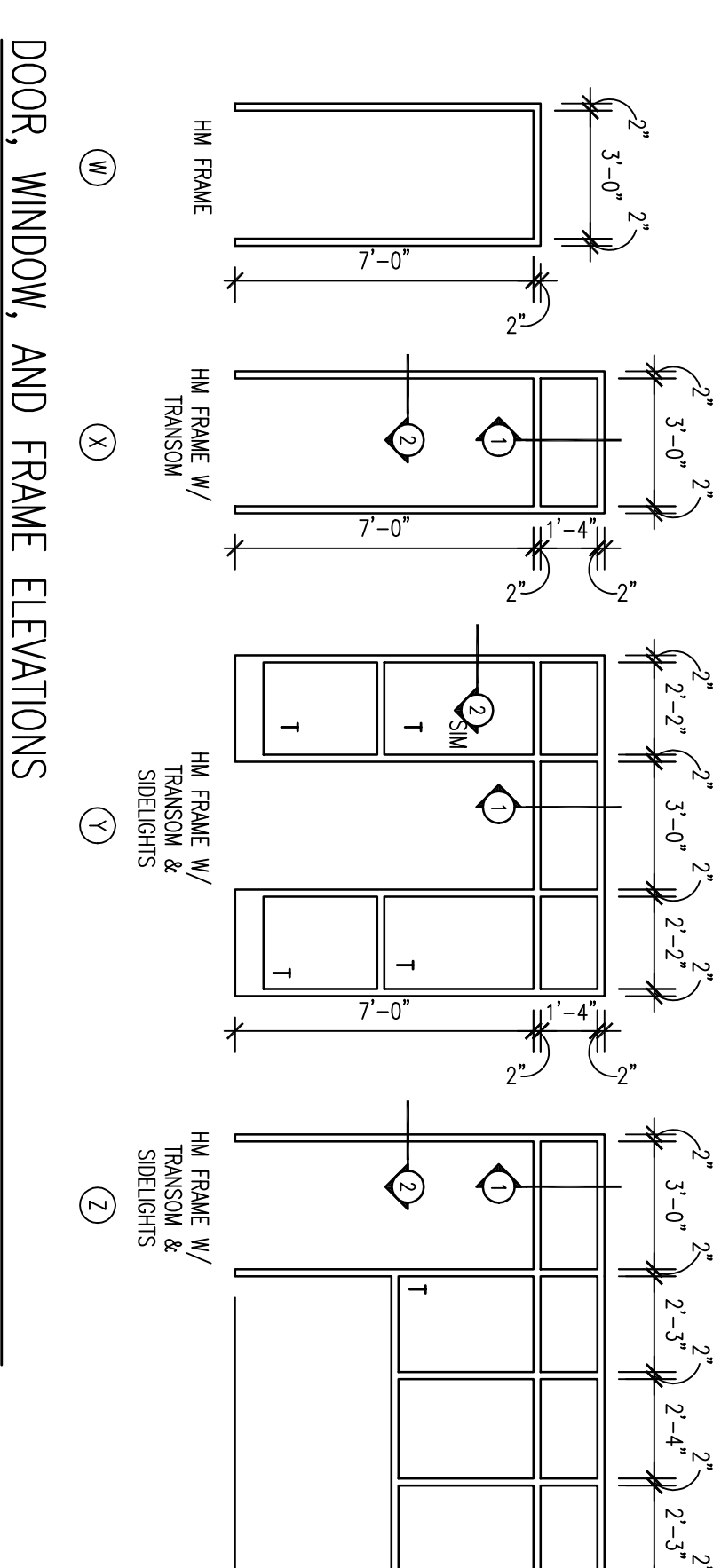
ARMORCORE LEVEL 3 BULLET RESISTANT PANEL - TPB - FASTEN TO EACH STUD AT 16" O.C. PER MANUFACTURER'S INSTALLATION INSTRUCTIONS

ARMORCORE LEVEL 3 BULLET RESISTANT PANEL - TPB - FASTEN TO EACH STUD AT 16" O.C. PER MANUFACTURER'S INSTALLATION INSTRUCTIONS

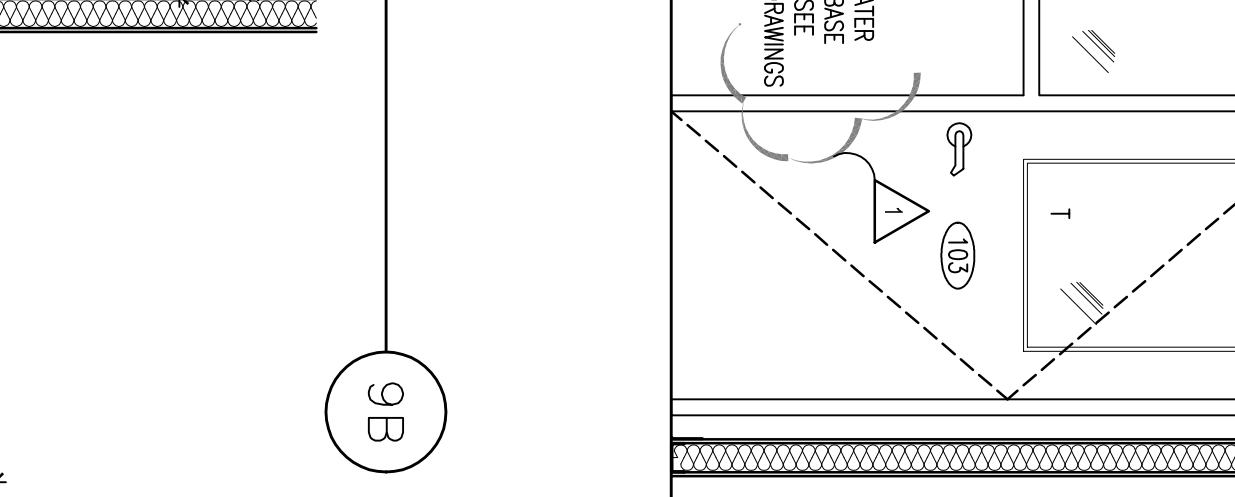
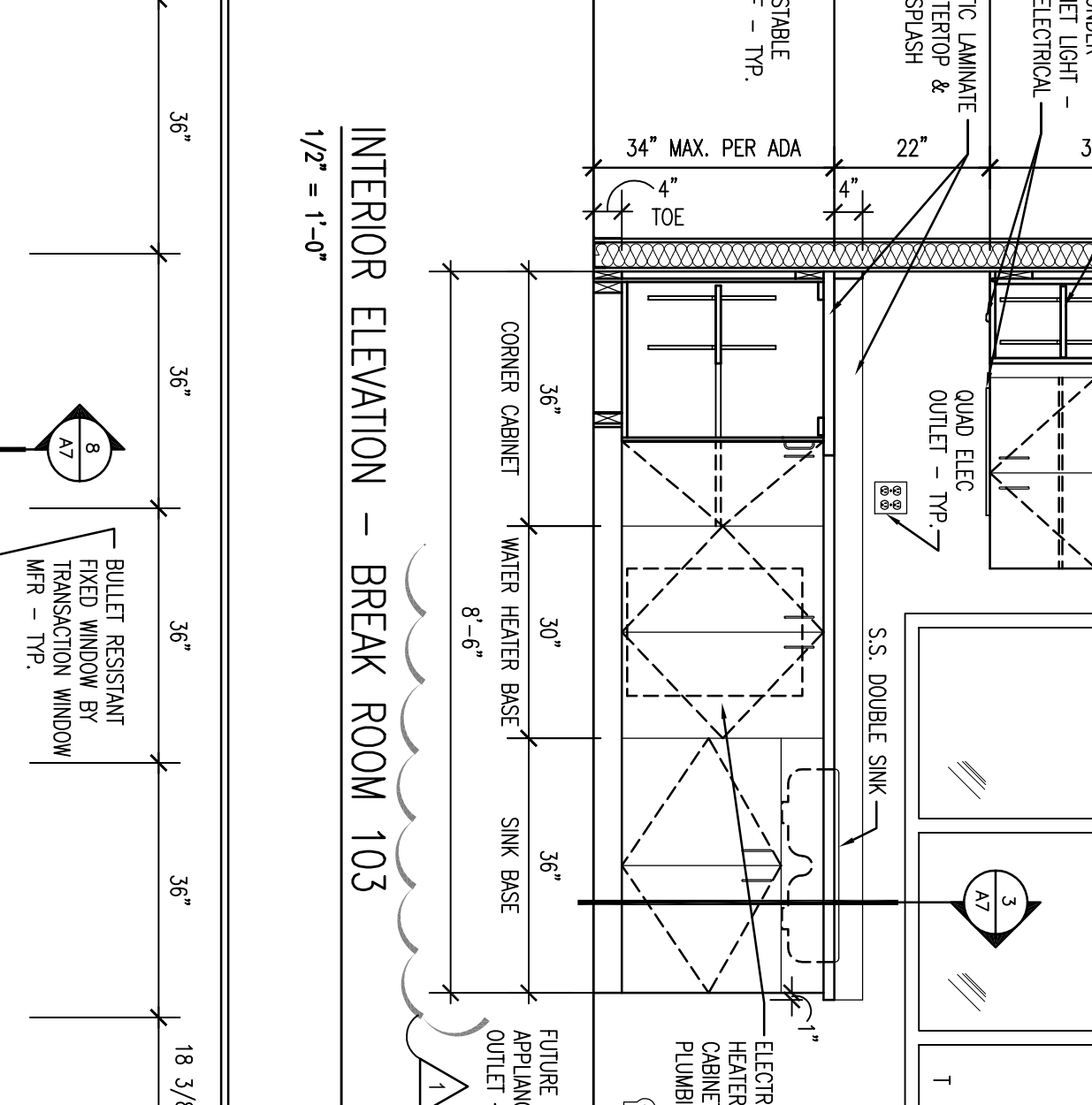
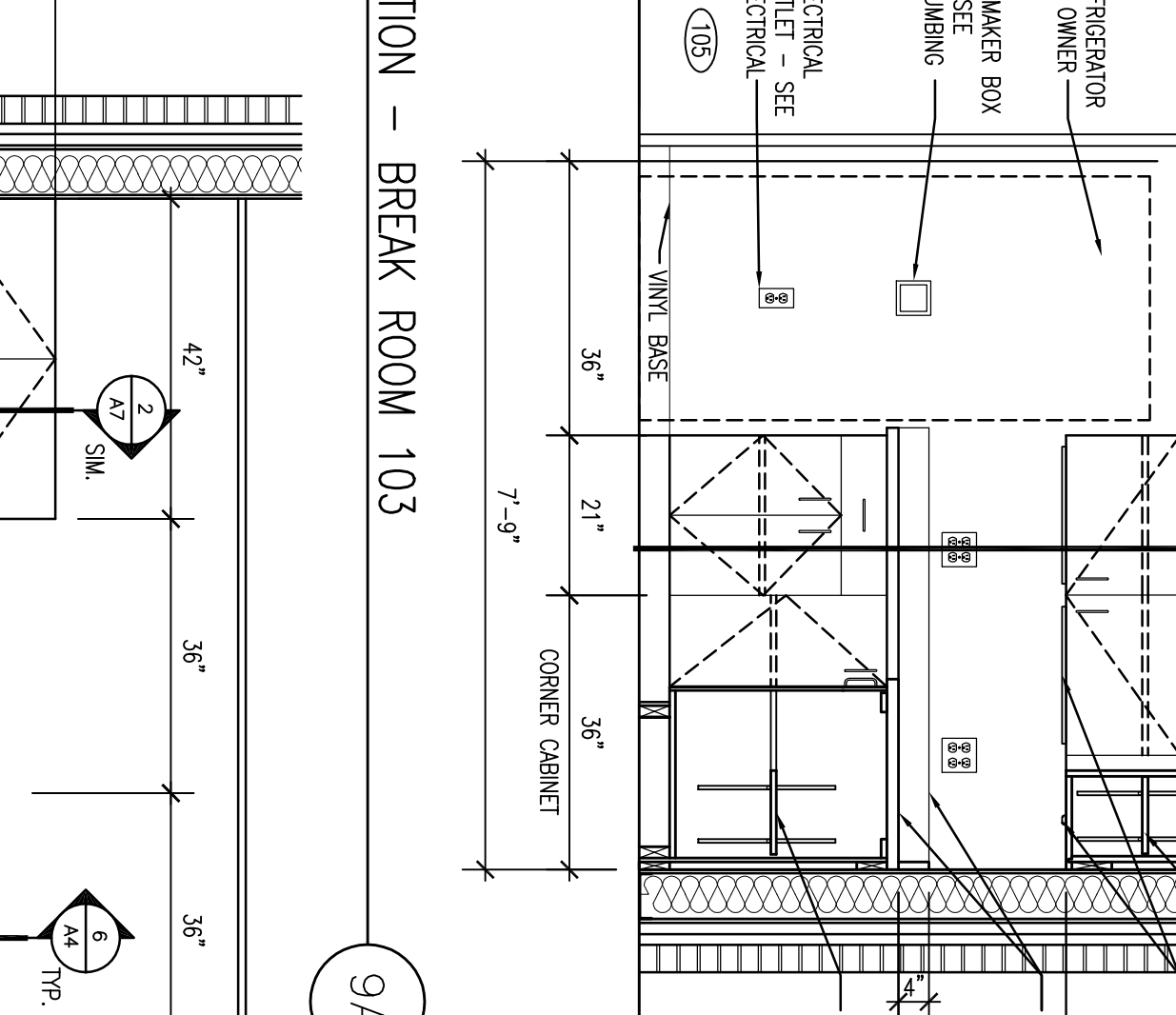
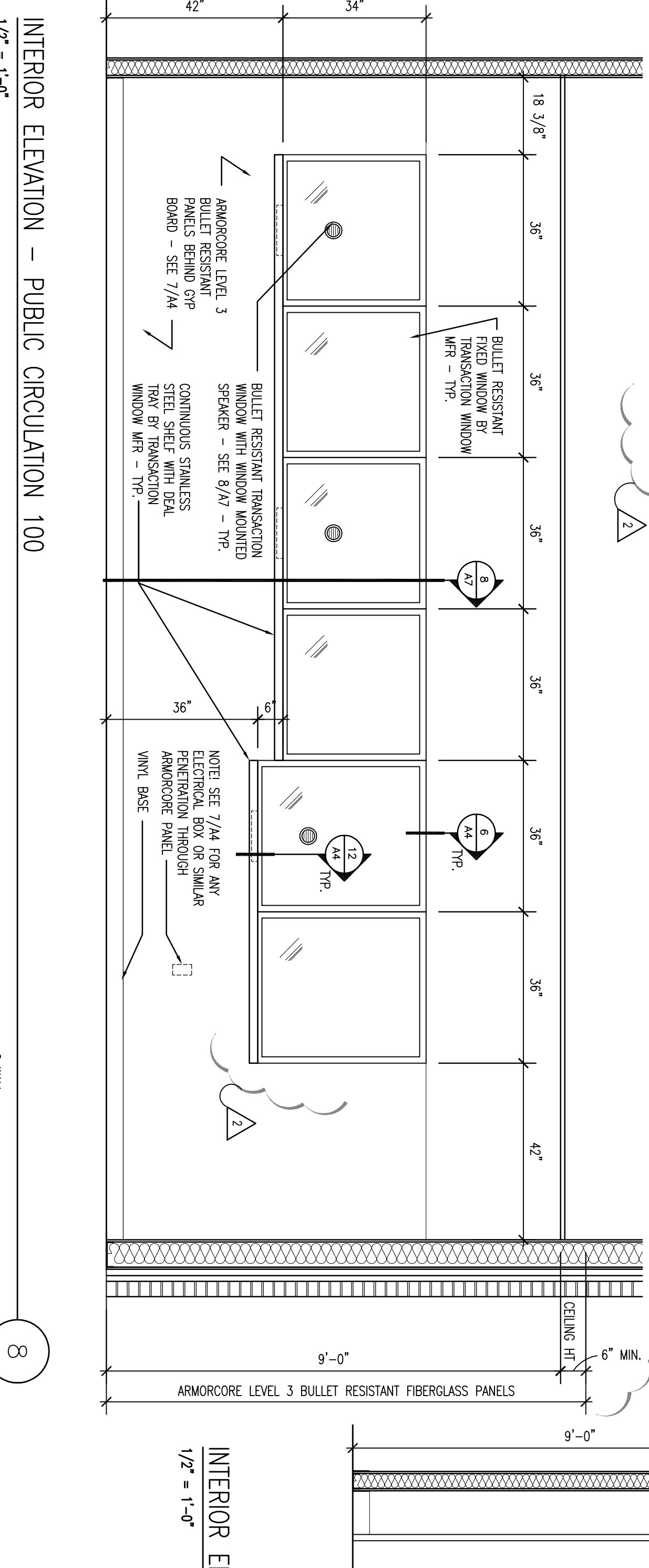
ARMORCORE LEVEL 3 BULLET RESISTANT PANEL - TPB - FASTEN TO EACH STUD AT 16" O.C. PER MANUFACTURER'S INSTALLATION INSTRUCTIONS



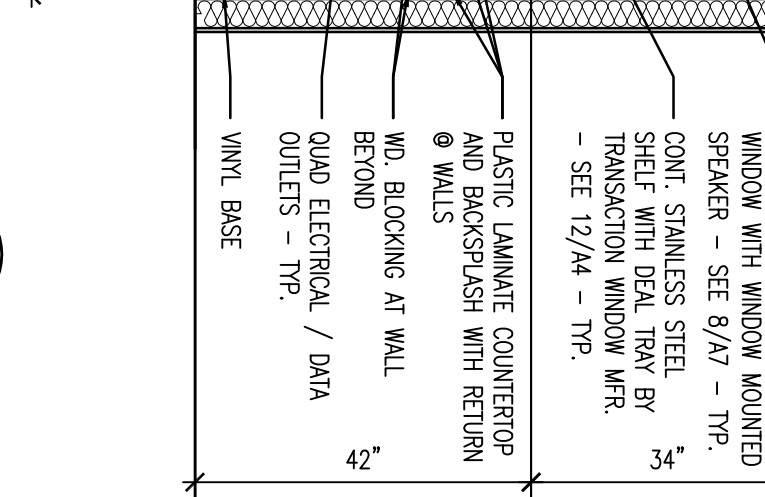
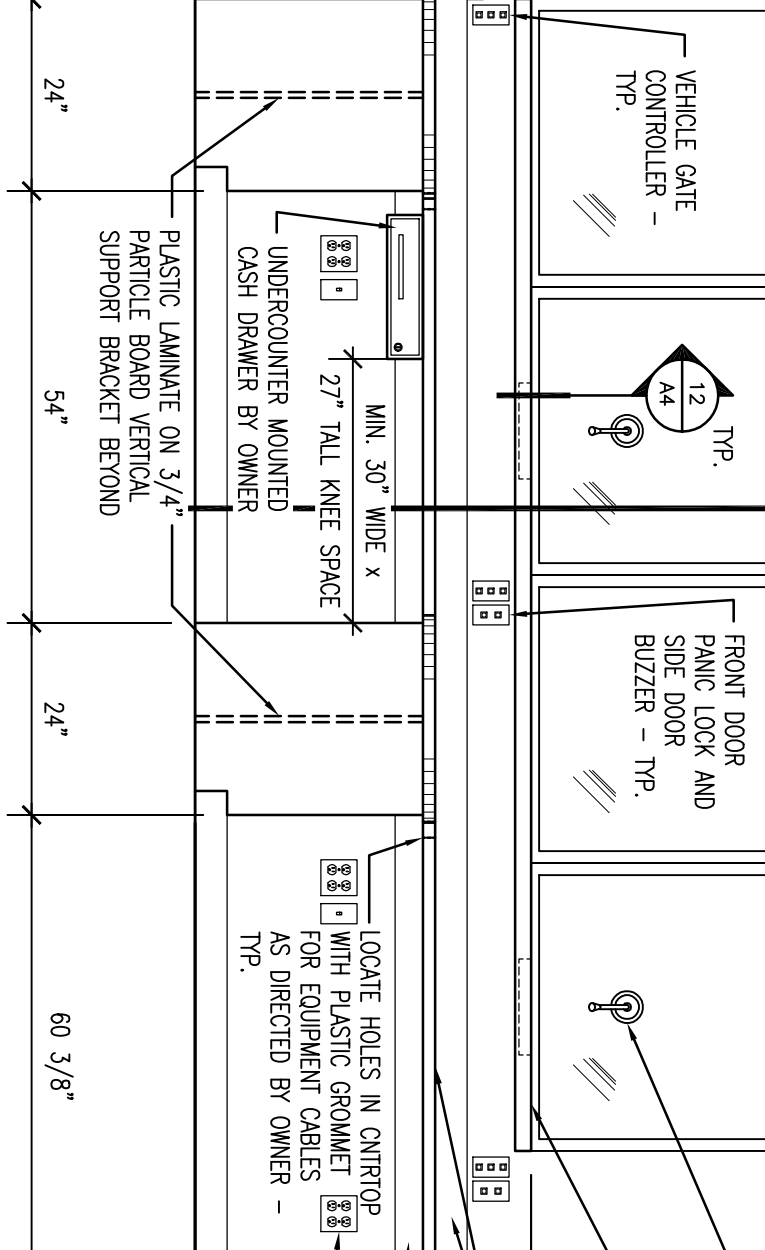
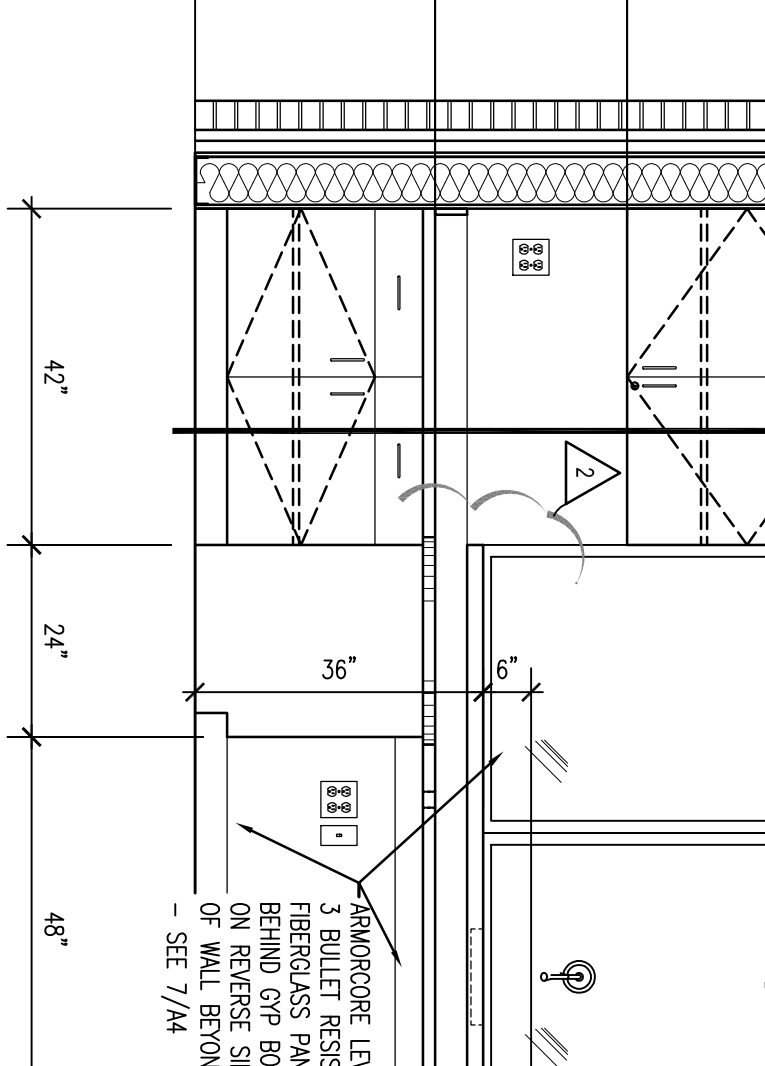
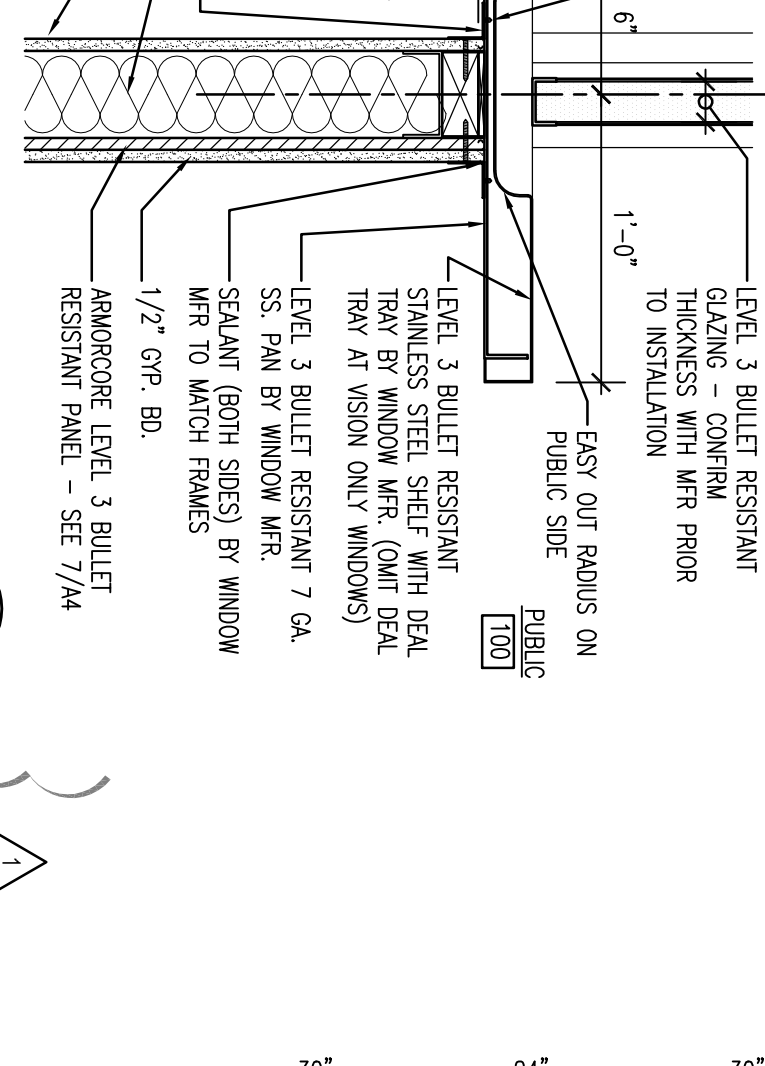
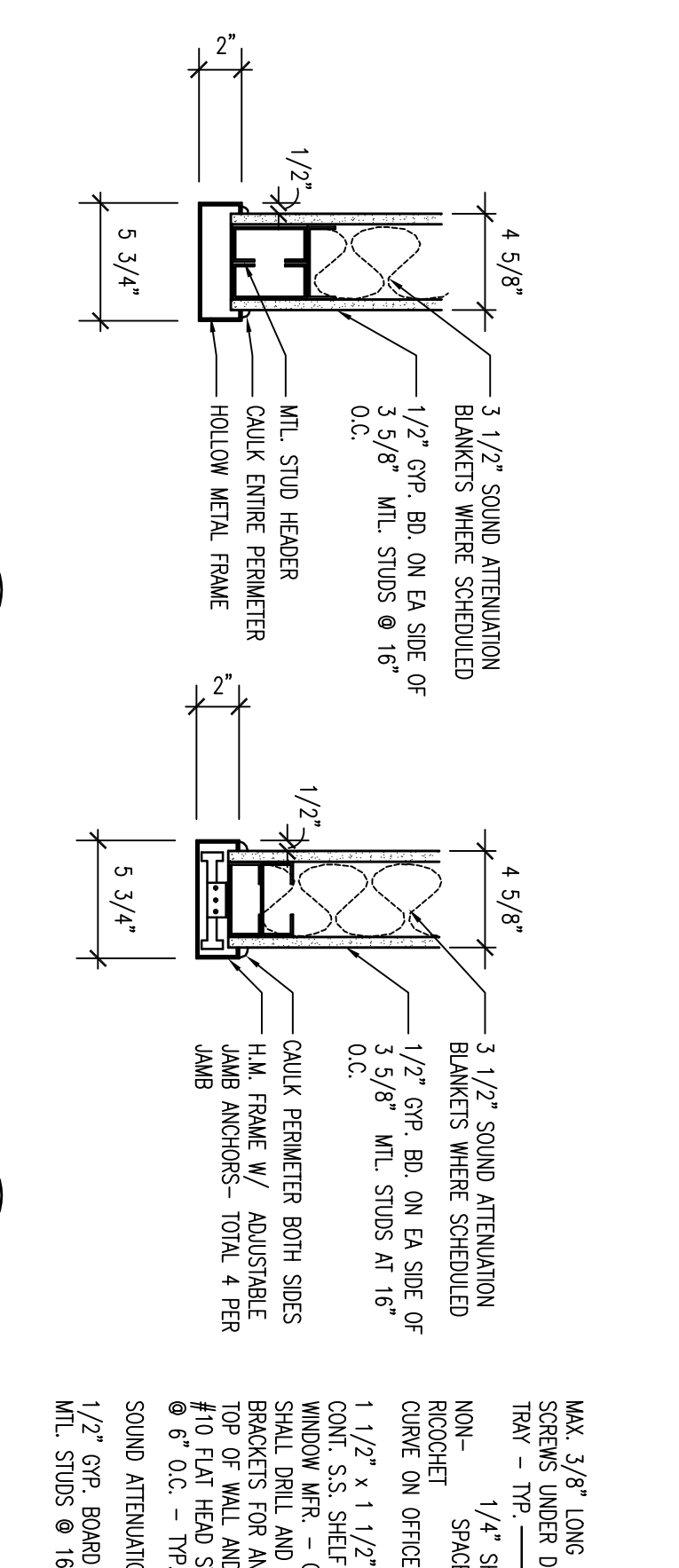
THE DESIGN PROFESSIONAL WAIVES ANY AND ALL LIABILITY FOR PROBLEMS WHICH ARISE FROM FAILURE TO FOLLOW THESE PLANS. SPECIFICATIONS AND THE DESIGN INTENT THEY CONVEY, OR FOR OTHERS' FAILURE TO OBTAIN AND/OR FOLLOW THE DESIGN PROFESSIONAL'S GUIDANCE WITH RESPECT TO ANY ERRORS, OMISSIONS, AMBIGUITIES OR CONFLICTS WHICH ARE ALLEGED.



THOMAS CALDWELL, ARCHITECT
 6500 PAPERMILL DRIVE, SUITE 211
 KNOXVILLE, TENNESSEE 37919-4819
 (865) 588-0860 (865) 558-9844/FAX
 HTTP://WWW.TCARCHITECT.COM



THOMAS CALDWELL ARCHITECT
 6500 PAPERMILL DRIVE, SUITE 211
 KNOXVILLE, TENNESSEE 37919-4819
 (865) 588-0860 (865) 558-9844/FAX
 HTTP://WWW.TCARCHITECT.COM



THOMAS CALDWELL ARCHITECT
 6500 PAPERMILL DRIVE, SUITE 211
 KNOXVILLE, TENNESSEE 37919-4819
 (865) 588-0860 (865) 558-9844/FAX
 HTTP://WWW.TCARCHITECT.COM