

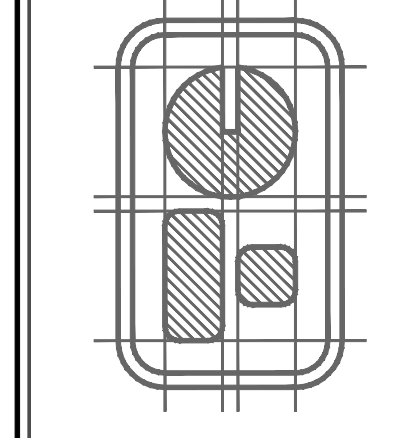
HVAC PLAN
SCALE: 1/4"=1'-0"

* AHU-2 IS LOCATED IN ATTIC, DUCTWORK TO BE ROUTED BELOW TRUSSES AND ABOVE CEILING.

A NEW FACILITY FOR:
CITY OF KNOXVILLE
VEHICLE IMPOUNDMENT
KNOXVILLE, TENNESSEE

THE DESIGN PROFESSIONAL MAKES NO WARRANTY FOR ANY AND ALL LIABILITY FOR PROBLEMS WHICH ARISE FROM FAILURE TO FOLLOW THESE PLANS, SPECIFICATIONS AND THE DESIGN PROFESSIONAL'S GUIDANCE. OTHER'S FAILURE TO OBTAIN AND/OR FOLLOW THE DESIGN PROFESSIONAL'S GUIDANCE WITH RESPECT TO ANY BUSINESS WHICH INVOLVES OR CONFLICTS WHICH ARE ALLEGED.

THOMAS CALDWELL, ARCHITECT
6500 PAPERMILL DRIVE, SUITE 211
KNOXVILLE, TENNESSEE 37919-4819
(865) 588-0860 (865) 558-9844/FAX
[HTTP://WWW.TSCARCHITECT.COM](http://www.tscarchitect.com)



THOMAS CALDWELL
REGISTERED ARCHITECT
NO. 114892
STATE OF TENNESSEE
4/26/19

DRAWING NAME:
HVAC PLAN

© COPYRIGHT 2019

REVISION DATE:
A 04/26/19

DATE: 12/31/18

DRAWN BY: NAB/PCH

COMM. NO.: 1612

SHEET: DRAWING NO.:

22 OF 25 M101

