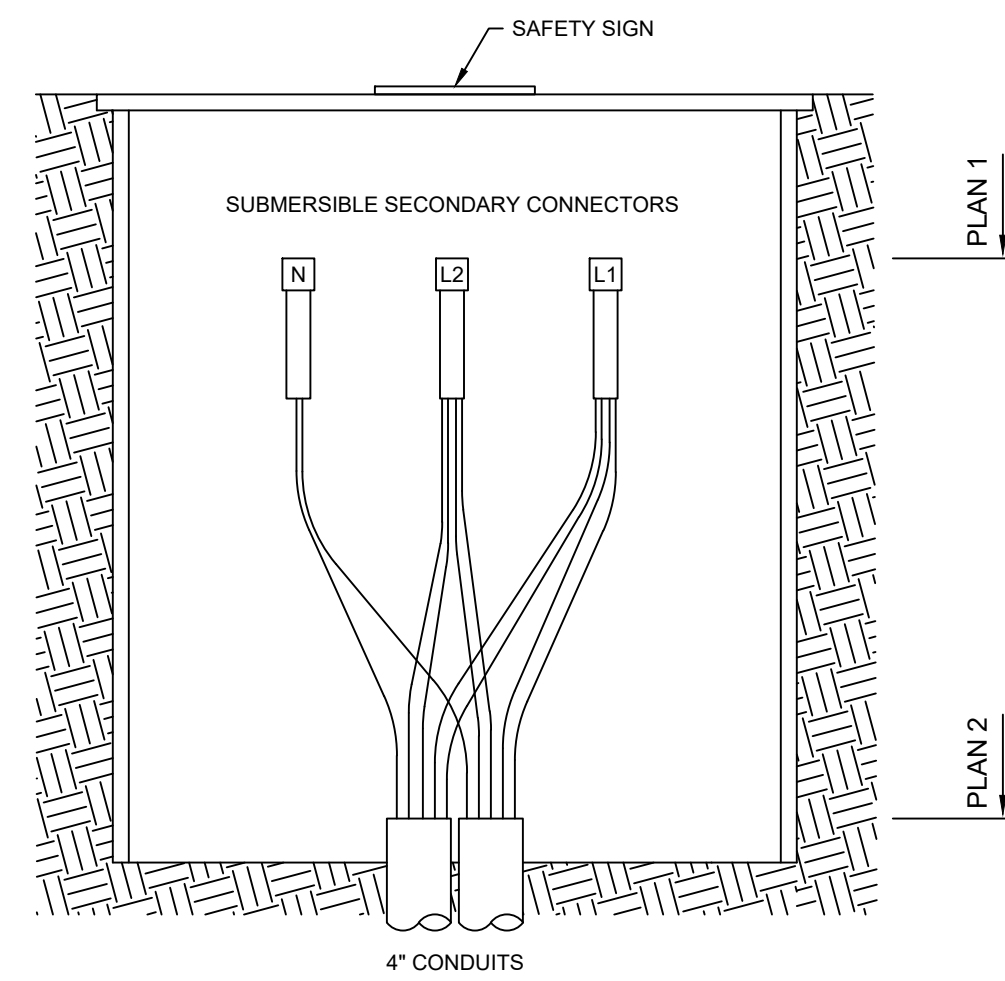
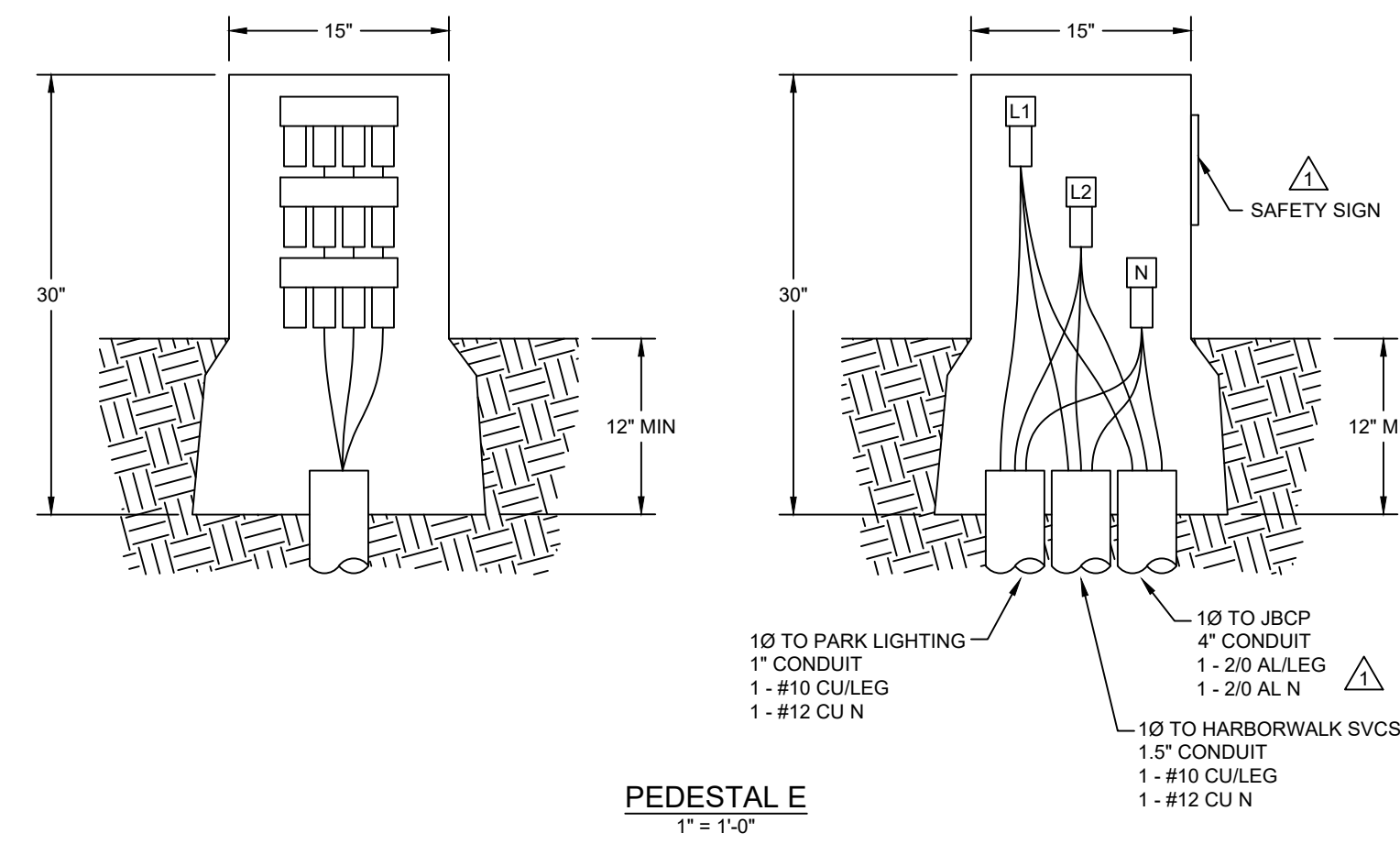


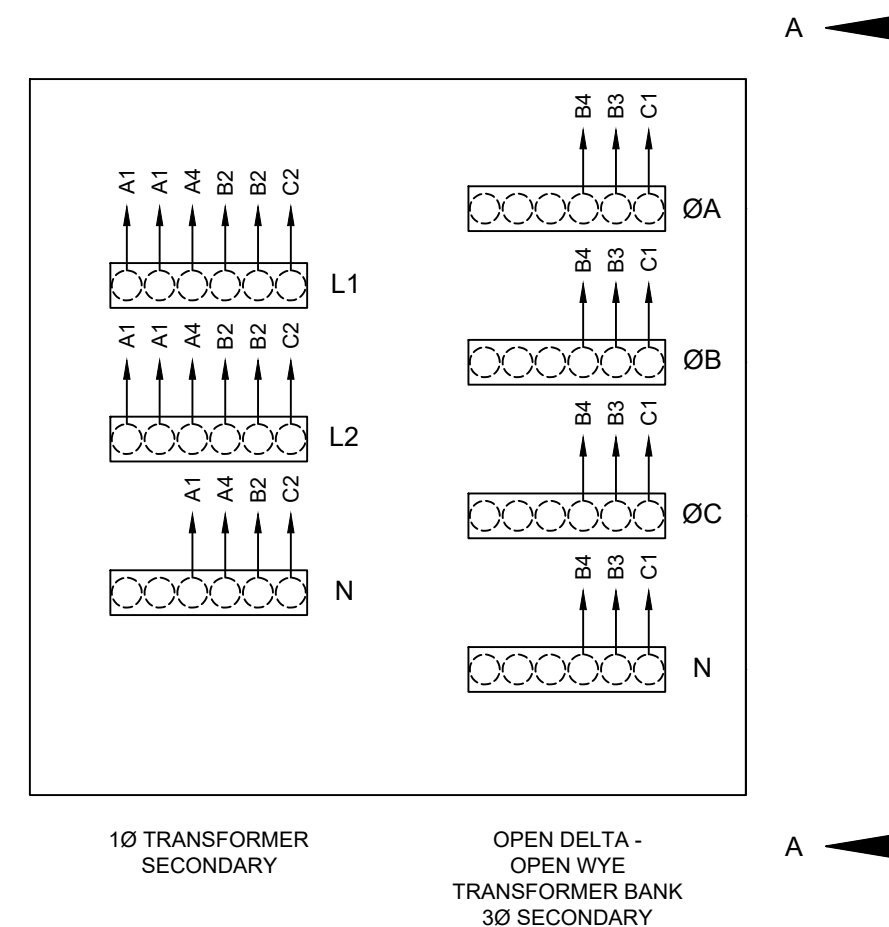
JBCP
ELEVATION A-A
1" = 1'-0"



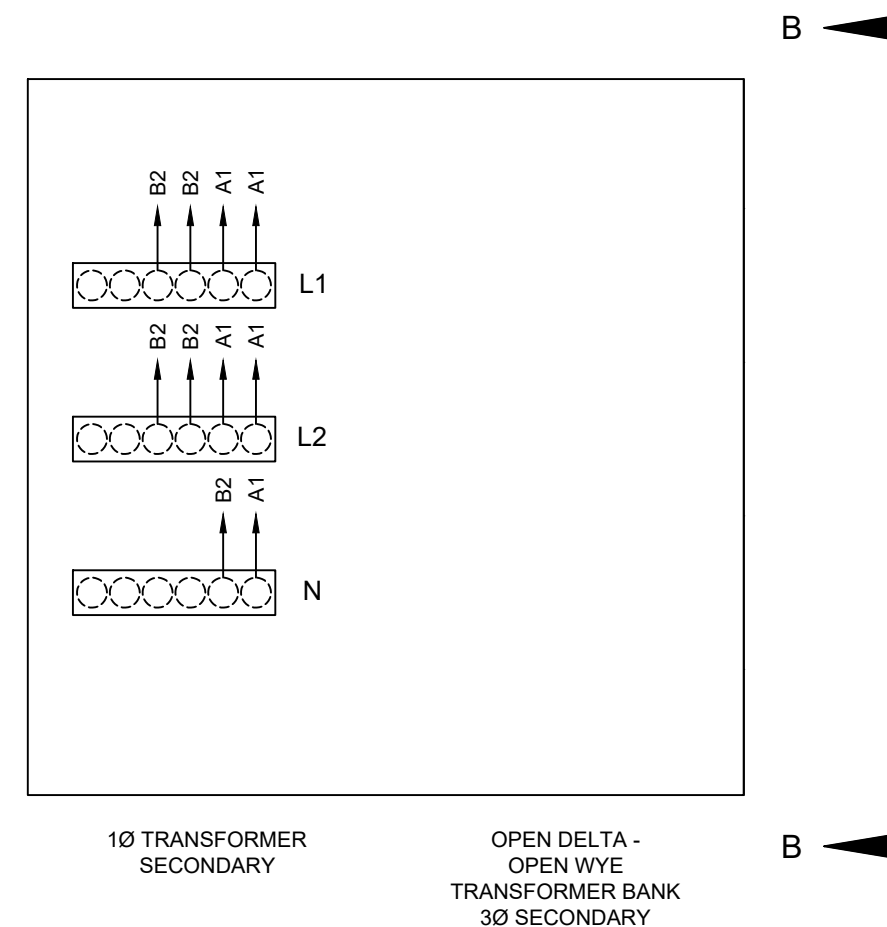
JBT3
ELEVATION B-B
1" = 1'-0"



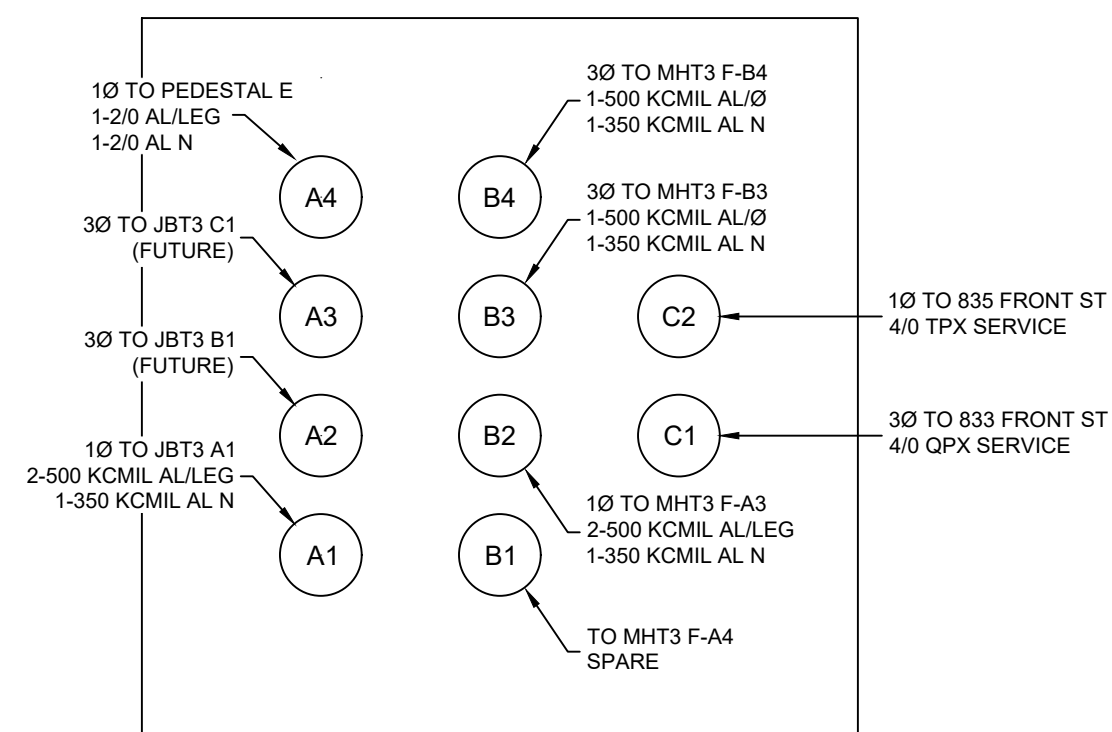
PEDESTAL E
1" = 1'-0"



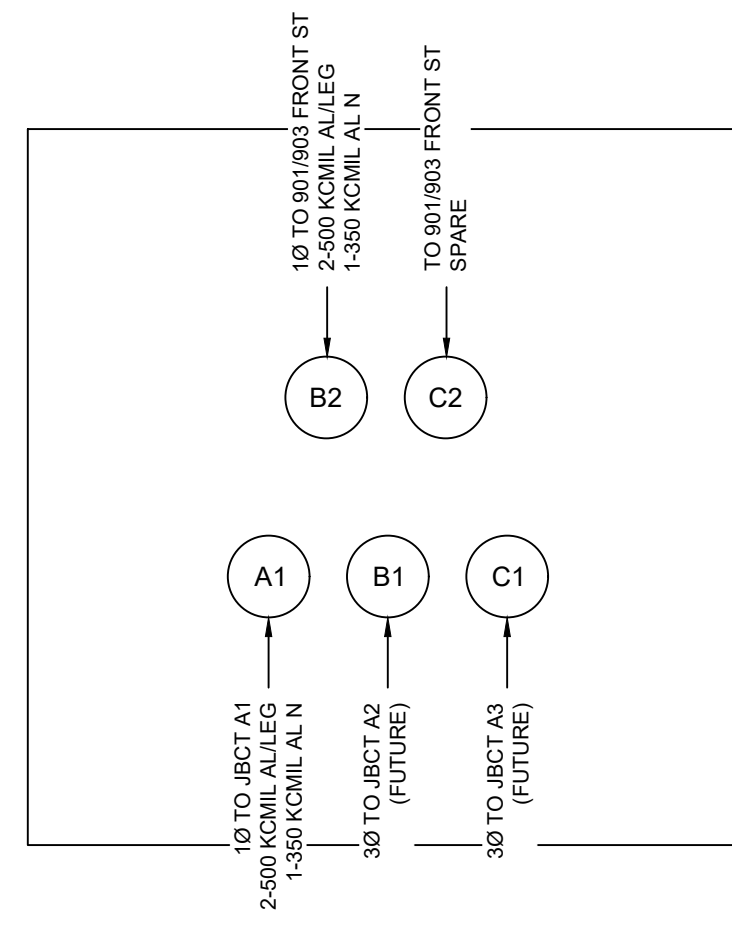
JBCP PLAN 1
1" = 1'-0"



JBT3 PLAN 1
1" = 1'-0"



JBCP PLAN 2
1" = 1'-0"



JBT3 PLAN 2
1" = 1'-0"

<p style="text-align: center;">PRELIMINARY NOT TO BE USED FOR CONSTRUCTION</p>			<p style="text-align: center;">CITY OF GEORGETOWN GEORGETOWN, SC FRONT ST ELECTRIC UPGRADE - PH. 2 JUNCTION BOX DETAILS</p>									
<p style="text-align: center;">REVISION <u>12/15/22</u></p>												
<table border="1"> <tr> <td>1</td> <td>ADDENDUM 1</td> <td>12/15/22</td> </tr> <tr> <td>0</td> <td>BID ISSUE</td> <td>12/01/22</td> </tr> </table>		1		ADDENDUM 1	12/15/22	0	BID ISSUE	12/01/22	<p style="text-align: center;">UTEC UTILITY TECHNOLOGY ENGINEERS - CONSULTANTS, PLLC P.O. Box 2629 • Asheboro, North Carolina • 27204</p>			
1	ADDENDUM 1	12/15/22										
0	BID ISSUE	12/01/22										
<table border="1"> <tr> <td>NO.</td> <td>REVISIONS</td> <td>DATE</td> </tr> <tr> <td> </td> <td> </td> <td> </td> </tr> </table>		NO.	REVISIONS	DATE				<p style="text-align: center;">E2033</p> <table border="1"> <tr> <td>SCALE: NOTED</td> <td>JOB NO.: 220901</td> <td>SHEET NO.:</td> <td>1 OF 1</td> </tr> </table>	SCALE: NOTED	JOB NO.: 220901	SHEET NO.:	1 OF 1
NO.	REVISIONS	DATE										
SCALE: NOTED	JOB NO.: 220901	SHEET NO.:	1 OF 1									