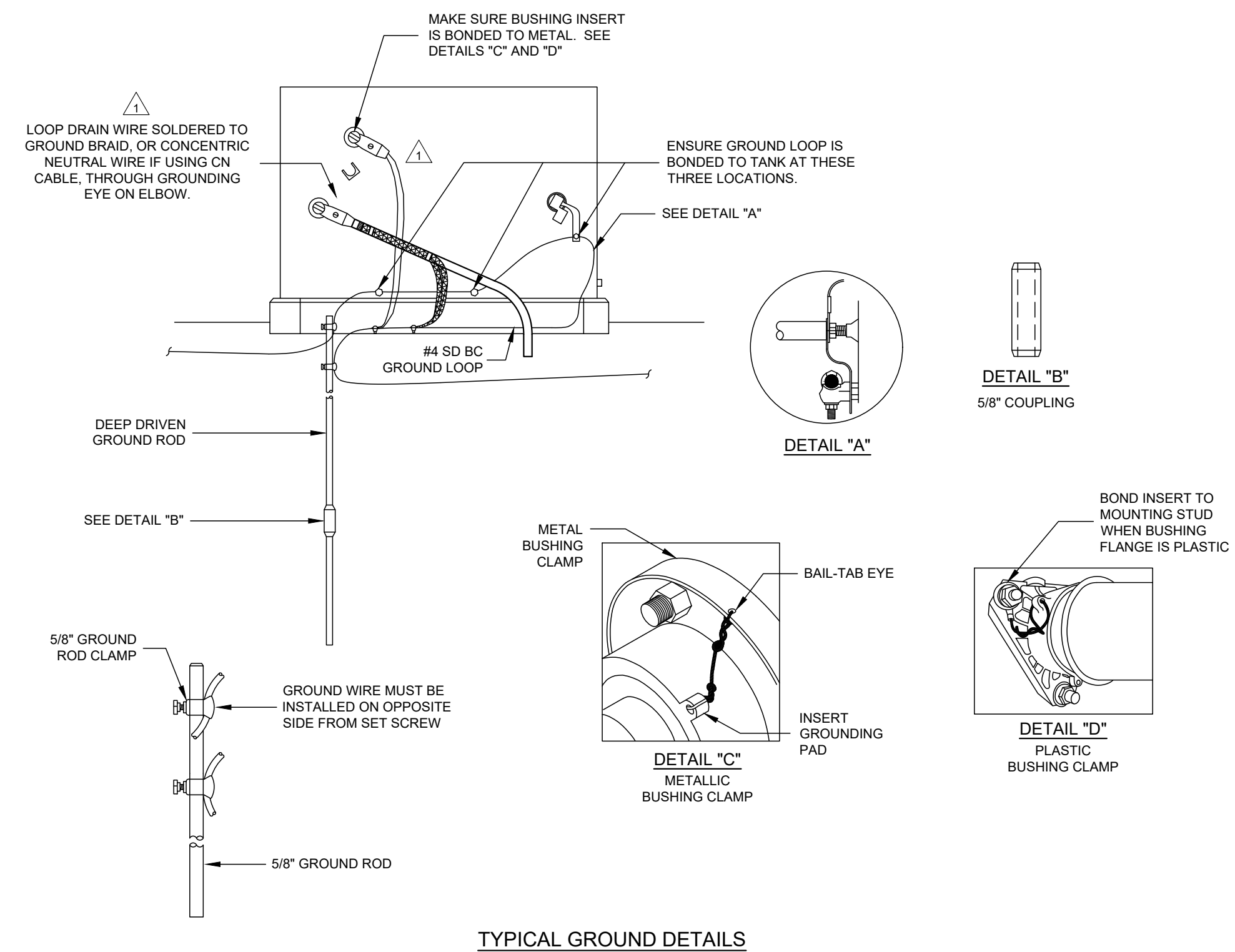


NOTES:

1. PROVIDE 1 4-HOLE NEMA STUD CONNECTOR AND 1 2-HOLE NEMA TERMINAL CONNECTOR.
2. PROVIDE 1 4-HOLE NEMA STUD CONNECTOR AND 2 2-HOLE NEMA TERMINAL CONNECTORS.
3. PROVIDE 1 4-HOLE NEMA STUD CONNECTOR AND 4 2-HOLE NEMA TERMINAL CONNECTORS.
4. REMOVE GROUND STRAP. TAPE BUSHING WITH VINYL TAPE.
5. SEE IEEE STANDARD C57.12.38 FIGURE 4 DETAIL C FOR STUD SIZE.
6. CONTRACTOR TO PROVIDE OPEN-WYE/OPEN-DELTA TRANSFORMER BANK WARNING SIGNS AS SHOWN.
7. LABEL ALL CABLES.
8. CONDUIT TO EXTEND TO WITHIN 14" OF BOTTOM OF FOUNDATION LID.
9. GROUND ROD TO EXTEND TO WITHIN 6" OF BOTTOM OF FOUNDATION LID.



| NO. | REVISIONS | DATE |
|-----|------------|----------|
| 1 | ADDENDUM 1 | 12/15/22 |
| 0 | BID ISSUE | 12/01/22 |

PRELIMINARY
 NOT TO BE USED FOR CONSTRUCTION
 REVISION 12/13/22

CITY OF GEORGETOWN
 GEORGETOWN, SC

FRONT ST ELECTRIC UPGRADE - PH. 2
TRANSFORMER T3 DETAILS

UTEC UTILITY TECHNOLOGY ENGINEERS - CONSULTANTS, PLLC
 P.O. Box 2629 • Asheboro, North Carolina • 27204

DWN. HMS DATE: 10/31/22 DWG. NO. E2050
 SCALE: 1/2" = 1'-0" JOB NO. 220901 SHEET NO. 1 OF 1

Dec 14, 2022 2:01pm X:\Georgetown\Phase 2\Phase 2\E2050\SSD\Transformer Data File - Job Layout E2050