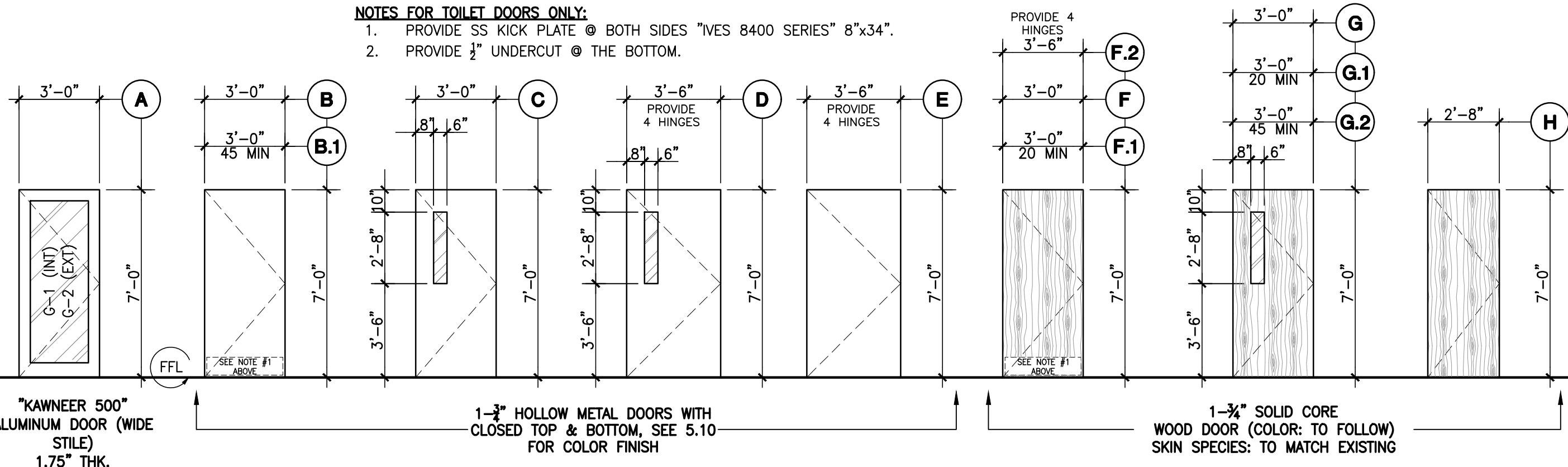


**DOOR TYPES:**

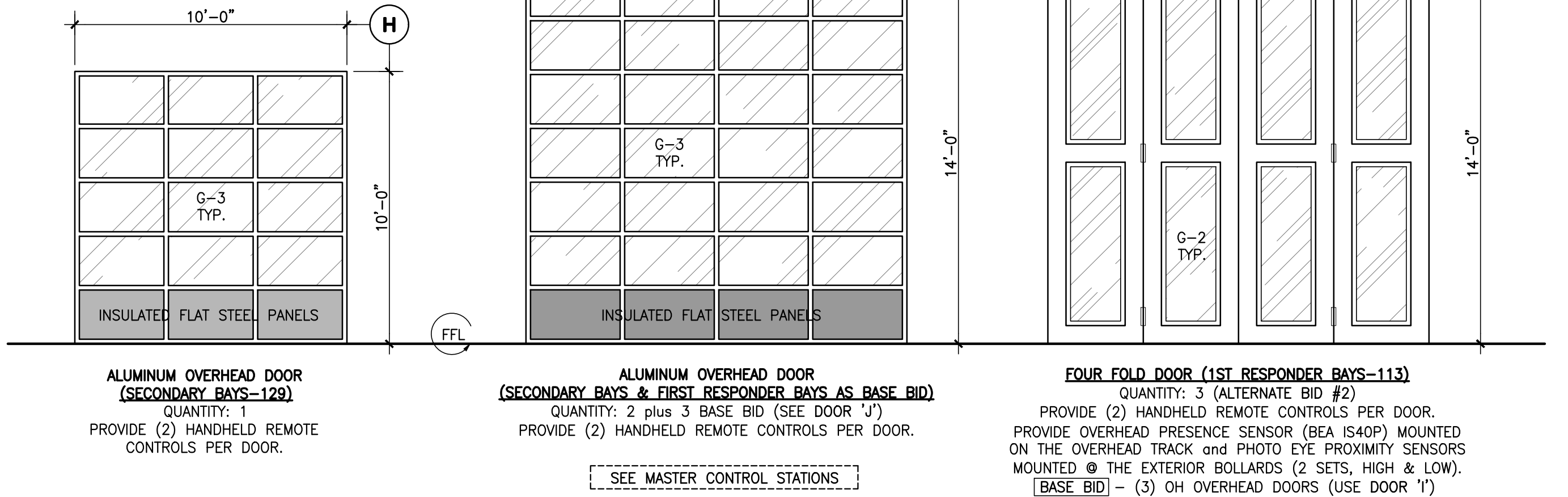
**NOTES FOR TOILET DOORS ONLY:**

1. PROVIDE SS KICK PLATE @ BOTH SIDES "VES 8400 SERIES" 8"x34".
2. PROVIDE 1/2" UNDERCUT @ THE BOTTOM.



**OVERHEAD DOOR & BI-FOLD DOOR NOTES:**

1. GC TO COORDINATE MOUNTING HEIGHTS OF PHOTO EYE SENSORS WITH THE FIRE CHIEF.
2. SUBMIT STANDARD COLOR CHART FOR THE FINAL SELECTION & APPROVAL OF THE ARCHITECT/OWNER.
3. BASIC WIND SPEED LOAD: NO LESS THAN 100mph.



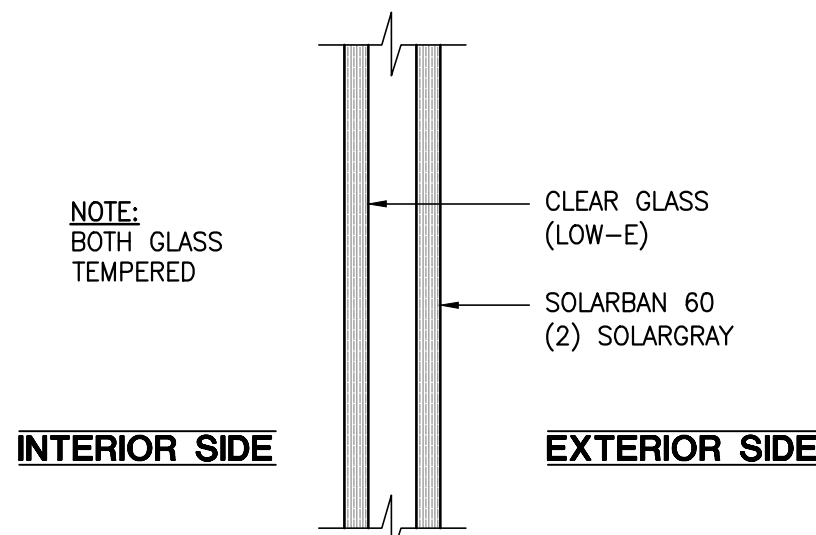
**GLASS SCHEDULE:**

THE FOLLOWING SCHEDULE OF GLASS TYPES SHALL NOT BE DEEMED ALL INCLUSIVE. PROVIDE ANY OTHER ITEMS OF GLASS NOT LISTED HEREIN OR SHOWN ON THE DRAWINGS AS REQ'D FOR A COMPLETE PROJECT. GLASS IS DESIGNATED BY "G-" NUMBERS AND AS SHOWN ON THE PLANS AND ELEVATIONS.

GLASS TYPE	GLASS SPECIFICATIONS
G-1	INTERIOR DOORS & WINDOWS (UNO), 1/2" THICK TEMPERED POLISHED PLATE GLASS AS MANUFACTURED BY VITRO ARCHITECTURAL GLASS. COLOR: CLEAR GLASS. USE RATED GLASS ON RATED DOORS & WINDOWS. NOTE: USE G-2 FOR ALL EXTERIOR DOORS.
G-2	EXTERIOR DOORS & WINDOWS, 1" THICK THERMOPANE (LOW-E) POLISHED PLATE INSULATING GLASS, BOTH PANE TEMPERED, AS MANUFACTURED BY VITRO ARCHITECTURAL GLASS. COLOR: SOLARBAN 60 (2) SOLARGRAY + CLEAR
G-3	OVERHEAD DOOR GLAZING - MANUFACTURER'S UV TINTED 1/2" THICK DOUBLE PANE INSULATED DSB GLASS. COLOR: MEDIUM GRAY TINT. NOTE: IF FOUR FOLD DOORS ARE SELECTED, USE G-2 GLASS.

**GLASS NOTES:**

1. VITRO ARCHITECTURAL GLASS IS USED AS THE BASIS OF DESIGN.
2. ALL INTERIOR GLASS ON DOORS & WINDOWS TO BE G-1, U.N.
3. ALL EXTERIOR GLASS ON DOORS & WINDOWS TO BE G-2 EXCEPT FOR THE OVERHEAD DOORS.
4. ALL EXTERIOR DOOR/WINDOW ASSEMBLIES TO BE THERMALLY BROKEN.

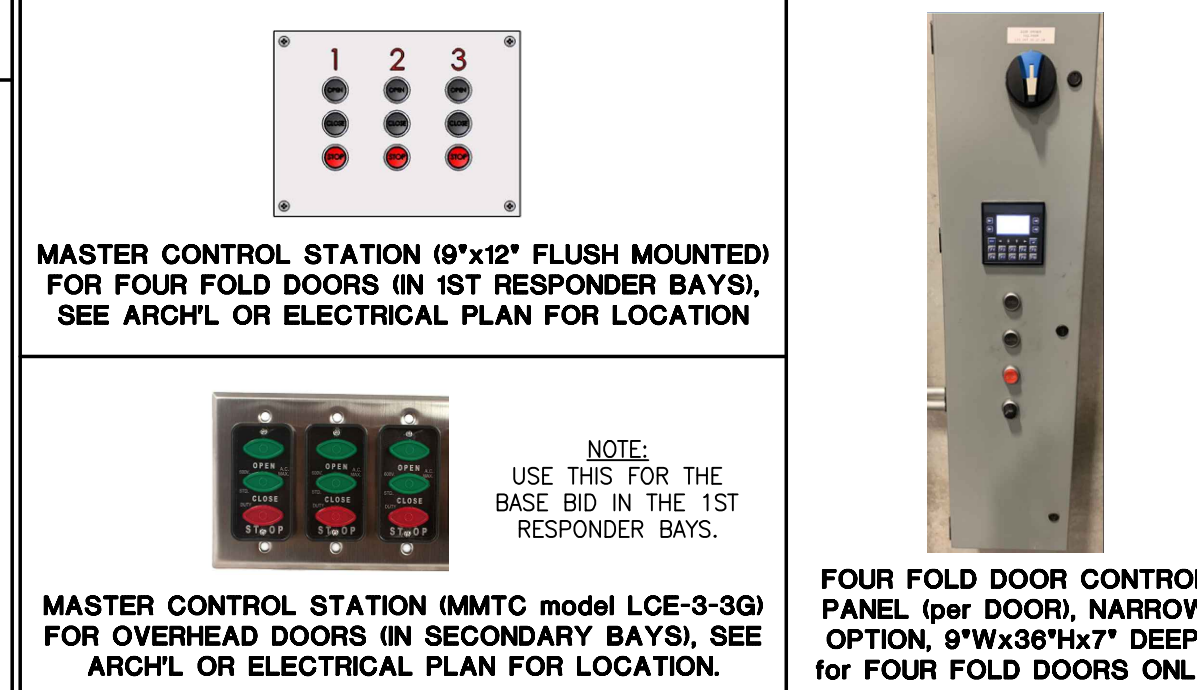


**G-2 GLASS SECTION DETAIL**

**HARDWARE NOTES:**

- 1.) THE FOLLOWING LIST OF HARDWARE ITEMS AND THEIR MANUFACTURERS ARE REPRESENTED BY SPECIFIC CATALOG NUMBERS IN THE HARDWARE SCHEDULE. HARDWARE ITEMS NOT SHOWN HERE WILL BE SPECIFICALLY CALLED OUT BY MANUFACTURER AND CATALOG NUMBER IN THE ACTUAL HARDWARE GROUP.
- 2.) WHERE REQUIRED, ALL HARDWARE SHALL MEET THE REQUIREMENTS OF ADA.
- 3.) WHERE REQUIRED, PROVIDE HARDWARE AND ACCESSORIES THAT COMPLY WITH THE FIRE RATINGS OF THE OPENINGS OR WALLS IN WHICH THEY ARE LOCATED WHETHER INDICATED OR NOT.
- 4.) FURNISH MANUFACTURERS CUT SHEETS FOR ALL HARDWARE. HARDWARE WILL NOT BE REVIEWED BY THE ARCHITECT WITHOUT CUT SHEETS FOR ALL ITEMS SCHEDULED OR PROVIDED.
- 5.) ALL HARDWARE SHALL BE INSTALLED IN STRICT ACCORDANCE WITH MANUFACTURERS WRITTEN INSTRUCTIONS.
- 6.) MISCELLANEOUS REQUIRED HARDWARE ITEMS: CONTRACTOR AND HARDWARE SUPPLIER SHALL FURNISH ALL OF THE ITEMS INCLUDED HEREIN AS REQUIRED EVEN IF IT'S NOT LISTED IN THE HARDWARE SETS.
  - A) HARDWARE FINISHES SHALL BE AS FOLLOWS:  
INTERIOR - US26D, SATIN CHROME.  
EXTERIOR - US32D, SATIN STAINLESS STEEL.
  - B) HINGES SHALL BE AS FOLLOWS:  
INTERIOR HINGES - HAGER AB700 X US26D, SATIN CHROME (AB750 X US26D FOR DOORS MORE THAN 36" WIDE).  
EXTERIOR HINGES - HAGER AB800 X US32D, SATIN STAINLESS STEEL (AB850 X US32D FOR DOORS MORE THAN 36" WIDE).
  - C) CLOSERS SHALL BE AS FOLLOWS:  
LCN 4040 XP SERIES SERIES ALUMINUM POWDER COAT FINISHED IN REGULAR MOUNT OR PARALLEL ARM AS REQUIRED.  
CLOSERS AND CLOSER/HOLDERS SHALL BE MOUNTED ON THE ROOM SIDE OF DOORS TO THE GREATEST EXTENT POSSIBLE.  
CLOSERS SHALL NOT BE MOUNTED ON CORRIDOR SIDE OF DOORS.
  - D) DOOR STOPS SHALL BE AS FOLLOWS:  
WALL STOPS: IVES WS401CVX X US26D OR IVES WS402CVX X US26D.  
FLOOR STOPS: IVES FS436 X US26D OR IVES FS438 X 426D AS REQUIRED.  
EXTERIOR STOPS: IVES FS185 OR FS18L AS REQUIRED.  
OVERHEAD STOPS: SARGENT 590 SERIES X US26D (INTERIOR) OR US32D (EXTERIOR) FOR THE APPROPRIATE SIZE AND WIDTH.  
PROVIDE FLOOR OR WALL STOPS FOR ALL DOORS AS REQUIRED.  
PROVIDE OVERHEAD DOORSTOPS WHERE FLOOR OR WALL STOPS ARE NOT APPLICABLE. PROVIDE FLOOR STOPS OR OVERHEAD DOOR STOPS FOR ALL OUTSWINGING EXTERIOR DOORS.
  - E) THRESHOLDS SHALL BE AS FOLLOWS:  
ZERO #566A - FULLY BED IN SILICONE SEALANT PROVIDE THRESHOLD AT ALL EXTERIOR DOORS AND INTERIOR DOORS THAT ARE SUBJECT TO WATER MIGRATION FROM ONE SPACE TO ANOTHER SUCH AS MECHANICAL ROOMS TO ADJACENT ROOMS OR FROM VEHICLE BAYS TO ADJACENT ROOMS.
  - F) WEATHER-STRIPPING SHALL BE AS FOLLOWS:  
ZERO #328AA - PROVIDE WEATHER-STRIPPING AT HEAD AND JAMBS AT ALL EXTERIOR DOORS.
  - G) DOOR BOTTOM SWEEPS SHALL BE AS FOLLOWS:  
ZERO #39A - PROVIDE DOOR BOTTOM SWEEPS AT ALL OUTSWINGING EXTERIOR DOORS.
  - H) WATER SHEDS SHALL BE AS FOLLOWS:  
ZERO #142A - PROVIDE WATER SHEDS AT ALL EXTERIOR DOORS EXPOSED TO WEATHER. ATTACH TO HEAD OF DOOR FRAME AND BED IN SILICONE SEALANT.
  - I) PROVIDE IVES 1825 X 32D LOCK GUARDS ON ALL OUTSWINGING EXTERIOR HOLLOW METAL DOORS.
  - J) PROVIDE ZERO #188N DOOR SEALS FOR SMOKE STOPPING ON ALL RATED DOORS AS REQUIRED BY CODE.
  - K) PROVIDE IVES SR64 SILENCERS AT ALL HOLLOW METAL DOOR FRAMES IN QTY AS REQUIRED.

**MASTER CONTROL STATIONS:**

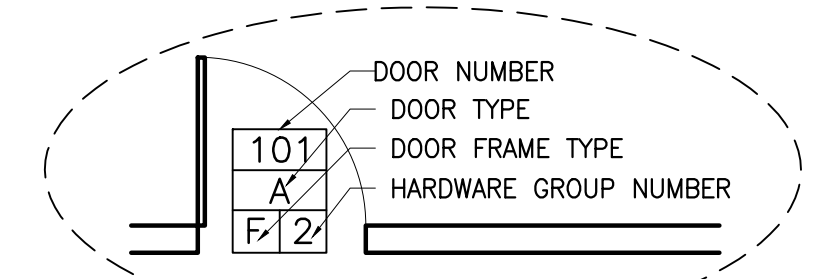


**DOOR FRAME WIDTHS & SIZES:**

SEE SHEET 4.71 FOR INTERIOR AND EXTERIOR HEAD AND DOOR JAMB FRAME DETAILS. ALSO COORDINATE WITH THE WALL TAG PLANS IN SHEET 1.11 & WALL TYPE DETAILS IN 1.70.

**DOOR & FRAME NOTES:**

1. ALL HOLLOW METAL DOORS TO BE HEAVY DUTY, (PAINT) 1-1/2" HOLLOW METAL WITH CLOSED TOP & BOTTOM (GA.14 FOR EXTERIOR & GA.16 FOR INTERIOR).
2. ALL HOLLOW METAL DOOR FRAMES TO BE COLD ROLLED GALVANIZED STEEL (GA.14 FOR EXTERIOR & GA.16 FOR INTERIOR).
3. ALL HOLLOW METAL DOORS AND FRAMES TO BE PAINTED.
4. ALL METAL FRAMES, DOORS AND HARDWARE TO BE INSTALLED IN STRICT ACCORDANCE WITH MANUFACTURERS WRITTEN INSTRUCTIONS.
5. ALL HARDWARE IS TO BE WEATHER RESISTANT.
6. PAINT TOP AND BOTTOM OF ALL HOLLOW METAL DOORS.
7. KEYING IS TO BE DETERMINED BY THE OWNER AND COORDINATED BY THE G.C.
8. PROVIDE LABEL FRAMES AND HARDWARE TO MATCH LABEL DOORS.
9. PROVIDE LOCK GUARD FOR ALL EXTERIOR HOLLOW METAL DOORS.
10. PROVIDE THRESHOLD & SWEEPS FOR ALL EXTERIOR DOORS.
11. PROVIDE OVERHEAD STOP WHERE WALL OR FLOOR STOP IS NOT APPLICABLE.
12. PROXIMITY ACCESS CARD READERS (OR), ELECTRIC STRIKES, & LOW-VOLTAGE WIRINGS ARE TO BE BY THE OWNER'S SECURE ACCESS CONTROL CONSULTANT. GC & HARDWARE SUB TO COORDINATE WITH THE SECURE ACCESS CONSULTANT DURING CONSTRUCTION FOR THE COMPATIBILITY OF LOCK-LATCH DOOR HARDWARE & FOR THE DOOR FRAME PREP CONDUIT OF LOW-VOLTAGE WIRING. SEE CARD READER LOCATIONS IN SHEETS 4.11, 4.12, 4.13 & 4.14.
10. SEE "DOOR TAG LEGEND" BELOW.

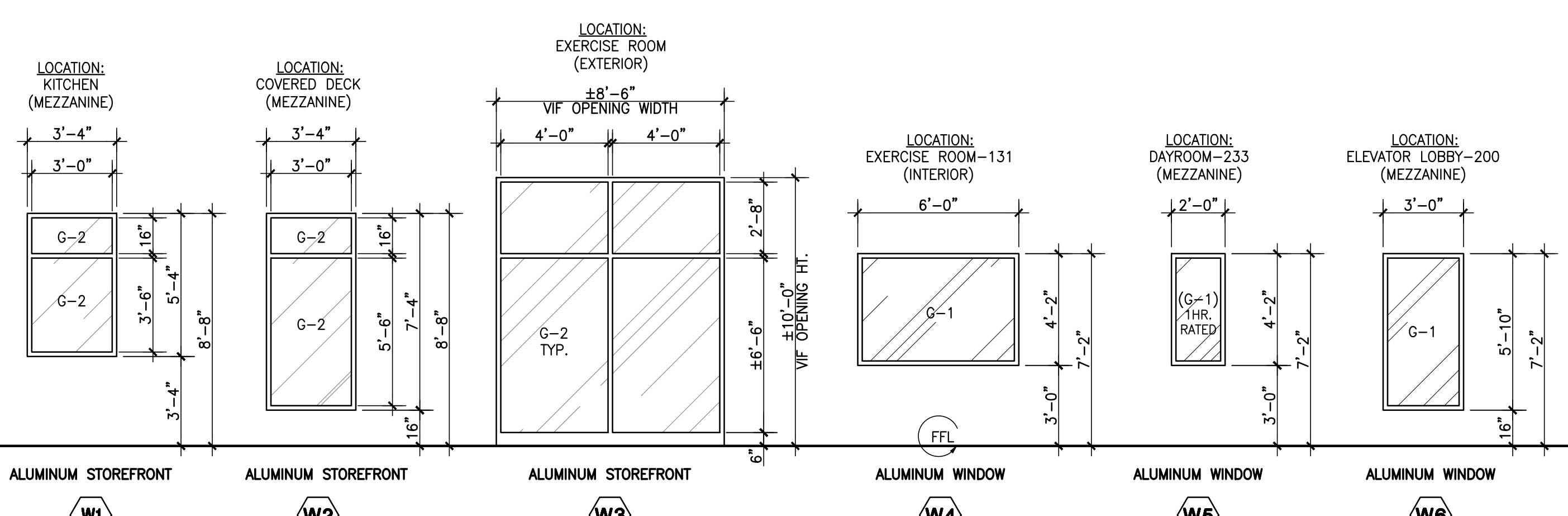


**HARDWARE SCHEDULE**

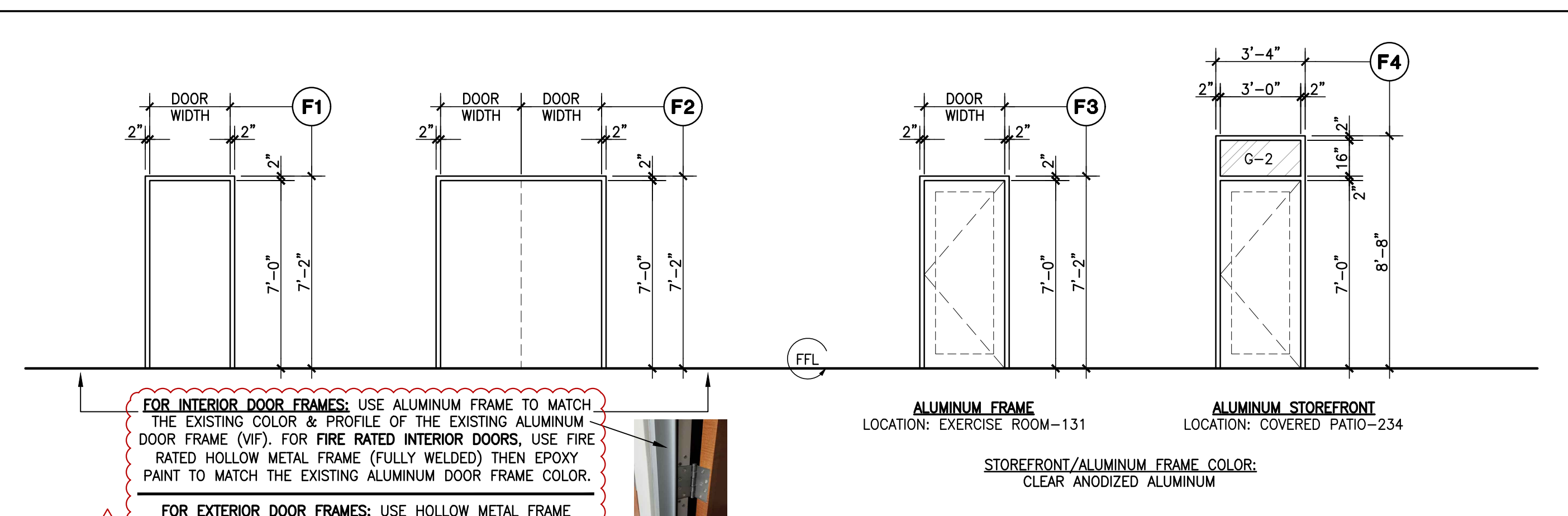
NO.	LOCATION	DESCRIPTION	MANUFACTURER / MODEL	NOTES
1	EXTERIOR SINGLE DOOR STOREFRONT (CLOSER) EXERCISE RM & BALCONY	LOCK-LATCH STRIKE & C.R. HINGES CLOSERS ENTRANCE OR SECURED	8255 LW1J X US26D (3) 4" X 4" - HAGER AB800 X US32D LCN 4040 XP SERIES, ALUMINUM POWDER COAT FINISH (689), MOUNT ON INTERIOR SIDE OF DOOR	
2	EXTERIOR SINGLE DOOR (CLOSER) EXTERIOR ENTRANCE OR SECURED	LOCK-LATCH STRIKE & C.R. HINGES CLOSERS ENTRANCE OR SECURED	8255 LW1J X US26D (3) 4" X 4" - HAGER AB800 X US32D LCN 4040 XP SERIES, ALUMINUM POWDER COAT FINISH (689), MOUNT ON INTERIOR SIDE OF DOOR	
3	INTERIOR SECURED LOCK (CLOSER) OR SECURED	LOCK-LATCH STRIKE & C.R. HINGES CLOSERS	8255 LW1J X US26D (3) 4" X 4" - HAGER AB700 X US26D IVES NO. WS401CVX OR WS402CVX X US26D WALL STOP OR IVES NO. FS436 X US26D AS REQUIRED IVES SR64 LCN 4040 XP SERIES, ALUMINUM POWDER COAT FINISH (689), MOUNT ON INTERIOR SIDE OF DOOR	
4	TOILET PRIVACY (CLOSER)	LOCK-LATCH HINGES STOPS SILENCERS CLOSERS	8265 LW1J X US26D (3) 4" X 4" - HAGER AB700 X US26D IVES NO. WS401CVX OR WS402CVX X US26D WALL STOP OR IVES NO. FS436 X US26D AS REQUIRED (3) IVES SR64 LCN 4040 XP SERIES, ALUMINUM POWDER COAT FINISH (689), MOUNT ON INTERIOR SIDE OF DOOR	
5	OFFICES & SLEEP ROOMS (CLOSER)	LOCK-LATCH HINGES STOPS SILENCERS CLOSERS	8256 LW1J X US26D (3) 4" X 4" - HAGER AB700 X US26D IVES NO. WS401CVX OR WS402CVX X US26D WALL STOP OR IVES NO. FS436 X US26D AS REQUIRED IVES SR64 LCN 4040 XP SERIES, ALUMINUM POWDER COAT FINISH (689), MOUNT ON INTERIOR SIDE OF DOOR	
6	DECON, TOOL SHOP, PPE, IT/ELECTRICAL, CLOSET, STO.	LOCK-LATCH HINGES STOPS SILENCERS CLOSERS	8227 LW1J X US26D (3) 4" X 4" - HAGER AB700 X US26D (USE: AB750 FOR DOORS MORE THAN 36" WIDE) IVES NO. WS401CVX OR WS402CVX X US26D WALL STOP OR IVES NO. FS436 X US26D AS REQUIRED IVES SR64 LCN 4040 XP SERIES, ALUMINUM POWDER COAT FINISH (689), MOUNT ON INTERIOR SIDE OF DOOR	
7	INTERIOR PASSAGE, (CLOSER)	LOCK-LATCH HINGES STOPS SILENCERS CLOSERS	8215 LW1J X US26D (3) 4" X 4" - HAGER AB700 X US26D IVES NO. WS401CVX OR WS402CVX X US26D WALL STOP OR IVES NO. FS436 X US26D AS REQUIRED (3) IVES SR64 LCN 4040 XP SERIES, ALUMINUM POWDER COAT FINISH (689), MOUNT ON INTERIOR SIDE OF DOOR	
8	CLASSROOM (CLOSER)	LOCK-LATCH HINGES STOPS SILENCERS CLOSERS	8237 LW1J X US26D (3) 4" X 4" - HAGER AB700 X US26D IVES NO. WS401CVX OR WS402CVX X US26D WALL STOP OR IVES NO. FS436 X US26D AS REQUIRED (3) IVES SR64 LCN 4040 XP SERIES, ALUMINUM POWDER COAT FINISH (689), MOUNT ON INTERIOR SIDE OF DOOR	
9	SINGLE/DOUBLE PANIC DOOR AND FIRE EXIT (CLOSER) OR SECURED	LOCK-LATCH HINGES STOPS SILENCERS CLOSERS THRESHOLD WEATHERSTRIPPING BOTTOM RAIL SWEEP FLUSH BOLTS STRIKE & C.R.	FALCON 25-R-NL-US32D-3 25 SERIES RIM EXIT DEVICE (X2 AS REQUIRED FOR DOUBLE DOORS). (1 1/2" PR.) - 4" X 4" - HAGER AB700 X US26D (AB800 X US32D FOR EXTERIOR DOORS) IVES NO. WS401CVX OR WS402CVX X US26D WALL STOP OR IVES NO. FS436 X US26D AS REQUIRED (3) IVES SR64 (X2 AS REQUIRED FOR DOUBLE DOORS) LCN 4040 XP SERIES, 689 FINISH, MOUNT ON INTERIOR SIDE OF DOOR (X2 AS REQUIRED FOR DOUBLE DOORS) ZERO #566A (FOR EXTERIOR DOORS ONLY) ZERO #328 ALUMINUM HEAD AND JAMBS (FOR EXTERIOR DOORS ONLY) KAWNEER #38-560, MOUNT ON BOTTOM RAIL OF DOOR (FOR EXTERIOR DOORS ONLY) (2) ROCKWOOD 555-12" X US26D (FOR DOUBLE DOORS ONLY) (1) ROCKWOOD 570 X US26D DUSTPROOF STRIKE (FOR DOUBLE DOORS ONLY) TO BE SUPPLIED & INSTALLED BY THE OWNER'S SECURE ACCESS CONSULTANT.	

**WINDOW TYPES:**

STOREFRONT FRAME COLOR: CLEAR ANODIZED ALUMINUM (U.N.O.)  
BASIS OF DESIGN: KAWNEER, TRIFAB VG451/451T



**DOOR FRAME TYPES:**



**FOR INTERIOR DOOR FRAMES:** USE ALUMINUM FRAME TO MATCH THE EXISTING COLOR & PROFILE OF THE EXISTING ALUMINUM DOOR FRAME (VIF). FOR FIRE RATED INTERIOR DOORS, USE FIRE RATED HOLLOW METAL FRAME (FULLY WELDED) THEN EPOXY PAINT TO MATCH THE EXISTING ALUMINUM DOOR FRAME COLOR.

**FOR EXTERIOR DOOR FRAMES:** USE HOLLOW METAL FRAME (FULLY WELDED) SEE SHEET 5.10 FOR COLOR FINISH.