



City of Carlsbad, New Mexico  
BID # 2024-02  
Addendum 1

2/26/24

**Addendum Notice – ELECTRICAL LIGHTING EQUIPMENT**

The City of Carlsbad has received the following questions regarding BID # 2024-02 and is providing the questions and answers in Addendum 1.

1. Please specify the guage of metal required for the 30' pole?
2. Please clarify what a "In-Line Tri Horn" is. Is the breakaway wire connector at the base of each pole?
3. Same question for the "in-line quad horn"?

Please see attached cut sheets, which should clear up the questions listed above.

Please take note of this when preparing your bid.

Thank you,  
Matt Fletcher  
Purchasing Manager  
City of Carlsbad  
575-234-7905

If you have any questions, please feel free to contact me at 575-234-7905 or email me at [msfletcher@cityofcarlsbadnm.com](mailto:msfletcher@cityofcarlsbadnm.com).

Please return a signed copy of this addendum notice with your bid.

X \_\_\_\_\_  
Name of Representative

Date: \_\_\_\_\_



PROJECT INFORMATION	
JOB NAME	
FIXTURE TYPE	3 In Line Bullhorn
CATALOG NUMBER	500-012BZ
APPROVED BY	



### SPECIFICATIONS

**Construction:**

Steel

**Mounting:**

Pole Top

Allows Fixtures to be Adjusted Vertically and Horizontally

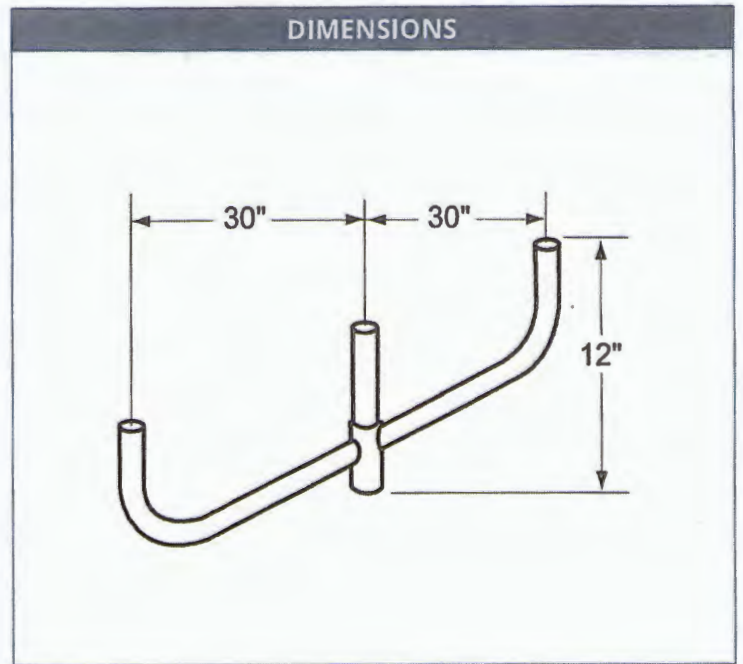
• Fits 2 3/8" Tenon

**Overall Height:**

• 14.5" (36.83 cm)

**Warranty:**

• Five-year limited warranty



### ORDERING INFORMATION

CATALOG #	DESCRIPTION	FINISH	# OF TENONS	TENON SIZE	WT / LBS.
500-012BZ	3 In Line Bullhorn	Bronze	3 In Line	2 3/8"	20

### EPA

FIGURE 1	CONFIGURATION	EPA	WEIGHT
	3 @ 180°	2.5	31 lbs.

PROJECT INFORMATION	
JOB NAME	
FIXTURE TYPE	4 In Line RSR
CATALOG NUMBER	500-053BZ
APPROVED BY	

**SPECIFICATIONS**

**Construction:**

- Steel

**Mounting:**

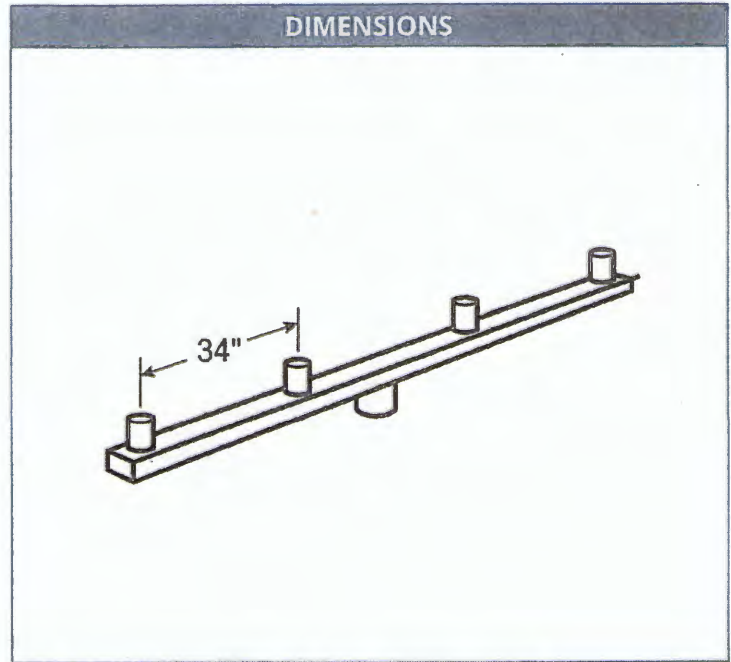
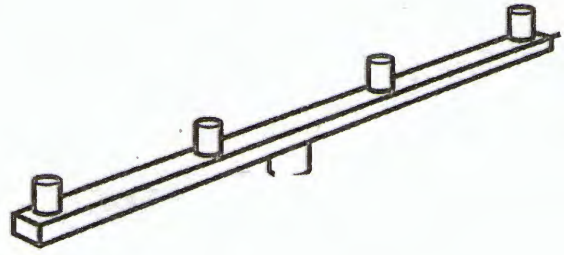
- Square Poles
- Allows Fixtures to be Adjusted Vertically and Horizontally
- Fits 2 3/8" Tenon

**Overall Height:**

- 14.5" (36.83 cm)

**Warranty:**

- Five-year limited warranty



**ORDERING INFORMATION**

CATALOG #	DESCRIPTION	FINISH	# OF TENONS	TENON SIZE	WT / LBS.
500-053BZ	4 In Line RSR Bracket	Bronze	4 In Line	2 3/8"	37

**EPA**

FIGURE 1	CONFIGURATION	EPA	WEIGHT
	4 in Line	2.5	37 lbs.

## PROJECT INFORMATION

JOB NAME	
FIXTURE TYPE	Square Straight Steel Pole
CATALOG NUMBER	
APPROVED BY	

## SPECIFICATIONS

### Pole Shaft:

Straight poles are 4", 5", or 6" square. Pole shaft is electro-welded ASTM-A595 Grade A steel tubing with a minimum yield strength of 55,000 psi. On Tenon Mount steel poles, tenon is 2-3/8" O.D. high-strength pipe. Tenon is 4-3/4" in length.

### Hand-Hole:

Standard hand-hole location is 12" above pole base. Hand-hole size is 4" x 6" and reinforced.

### Ground Lug:

Ground lug is standard.

### Duplex Receptacle:

Weatherproof duplex receptacle is optional.

### Anchor Bolts:

Poles are furnished with anchor bolts featuring zinc-plated double nuts and washers. Galvanized anchor bolts are optional. Anchor bolts conform to ASTM F 1554-07a Grade 55 with a minimum yield strength of 55,000 psi.

### Base:

ASTM-A36 hot-rolled steel plate with a minimum yield strength of 36,000 psi. Two-piece square base cover is optional.

### Ground Fault Circuit Interrupter:

Self-testing ground fault circuit interrupter is optional

### Finishes:

Baked-on polyester-powder finishing process which electrostatically applies and fuses a polyester powder to the pole. Provides a smooth and uniform finish to withstand extreme weather changes without cracking or peeling, and features a five-year limited warranty.

### Pole Vibration Damper:

A pole vibration damper is recommended in open terrain areas of the country where low steady state winds are common. Non-tapered poles and lightly loaded poles are more susceptible to destructive vibration if a damper is not installed.

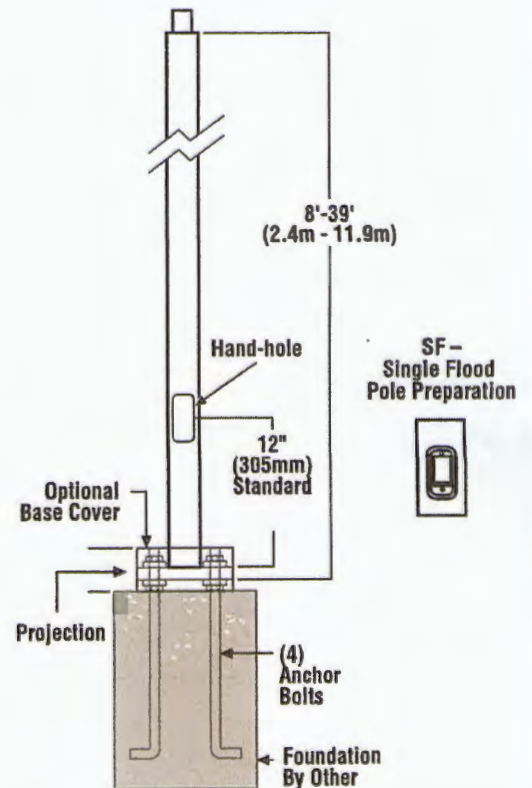
### Listings:

UL Listed  
BAA/TAA Compliant



## DIMENSIONS

N = 2.375" O.D. x 4.75" Tenon



## FIXTURE CONFIGURATIONS

