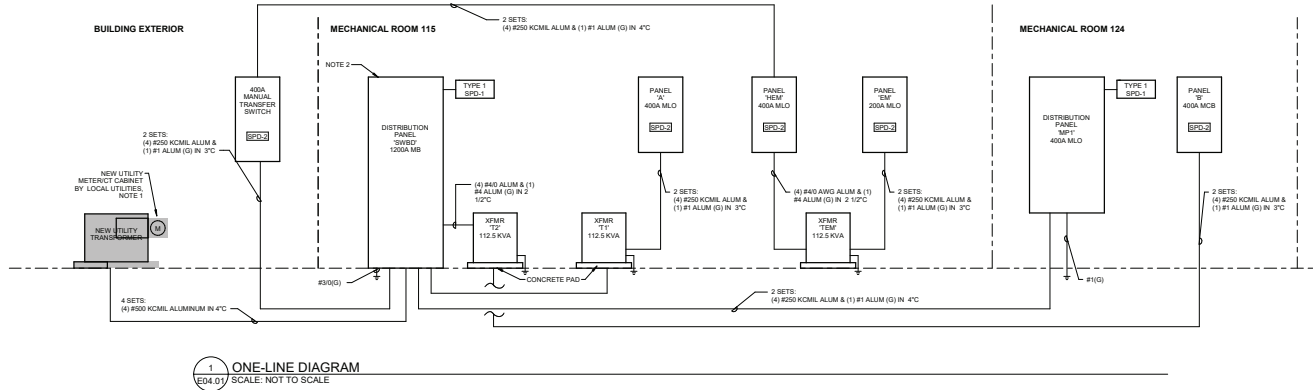
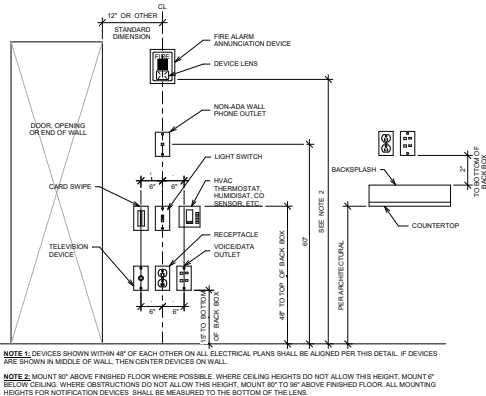


NOTES:

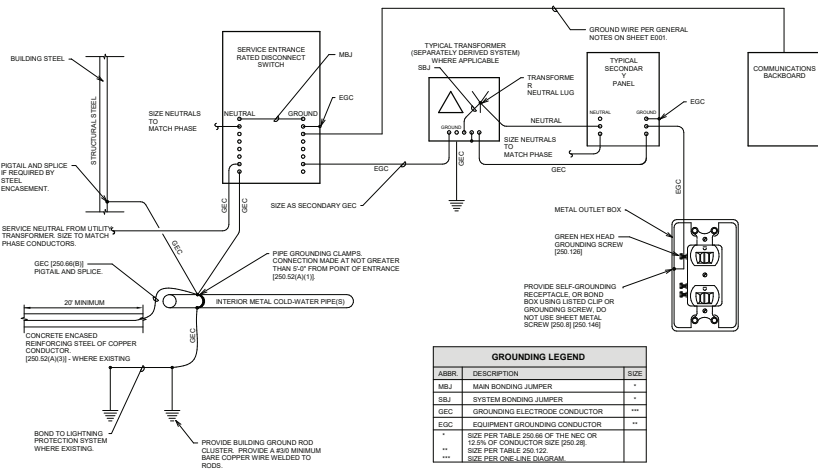
1. SERVICE SHALL COMPLY WITH CURRENT EDITION OF GEORGIA POWER BLUE BOOK. COORDINATE ALL REQUIREMENTS AND CONSTRUCTION PHASING WITH UTILITY REPRESENTATIVE PRIOR TO INSTALLATION.



1 ONE-LINE DIAGRAM
E04.01 SCALE: NOT TO SCALE



2 DEVICE ALIGNMENT DETAIL
E04.01 SCALE: NOT TO SCALE



| GROUNDING LEGEND | | |
|------------------|--|------|
| ABBV. | DESCRIPTION | SIZE |
| MBJ | MAIN BONDING JUMPER | + |
| SBJ | SYSTEM BONDING JUMPER | + |
| GEC | GROUNDING ELECTRODE CONDUCTOR | +++ |
| EGC | EQUIPMENT GROUNDING CONDUCTOR | ++ |
| T | SIZE PER TABLE 250.66 OF THE NEC OR 12.5% OF CONDUCTOR SIZE (250.28) | ++ |
| --- | SIZE PER TABLE 250.122 | --- |
| --- | SIZE PER ONE-LINE DIAGRAM | --- |

- GROUNDING NOTES:**
- NUMBERS IN BRACKETS REFER TO SPECIFIC SECTIONS OF THE NATIONAL ELECTRICAL CODE.
 - ALL UNDERGROUND OR OTHERWISE INACCESSIBLE GROUND CONNECTIONS AND SPLICES SHALL BE EXOTHERMICALLY WELDED (250.88).
 - GROUND ELECTRODE FOR SEPARATELY DERIVED SYSTEMS SHALL BE THE NEAREST METAL WATER PIPE OR STRUCTURAL METAL. IF EITHER IS NOT AVAILABLE, PROVIDE GROUNDING CONDUCTOR BACK TO MAIN GROUND BUS AT SERVICE ENTRANCE.
 - PROVIDE A GROUND WIRE IN ALL CONDUITS.
 - EARTH SHALL NOT BE USED AS THE SOLE GROUND RETURN PATH FOR ANY EQUIPMENT POWERED UNDER THIS PROJECT. OTHERWISE OVERCURRENT PROTECTION MIGHT NOT WORK OR IT MIGHT CAUSE POWER QUALITY PROBLEMS.
 - NO ALUMINUM SHALL BE USED FOR GROUNDING WORK WITHOUT THE SPECIFIC WRITTEN PERMISSION OF THE ENGINEER. EXCEPTION: ALUMINUM BUILDING STRUCTURAL MATERIALS SHALL BE BONDED WITH LISTED ALUMINUM EQUIPMENT WITH ALUMINUM TO COPPER CONNECTORS FOR PURPOSE OF EDC.
 - PROVIDE GROUNDING BUSHING ON BOTH ENDS OF ALL SERVICE ENTRANCE RACEWAYS. SIZE AS A GEC (250.80). THIS INCLUDES RIGID STEEL ELBOWS ON PVC CONDUIT.
 - ALL METAL ENCLOSURES AND RACEWAYS SHALL BE BONDED TO GROUND (250.86). FOR CIRCUITS OVER 250V PROVIDE BOND PER (250.97). STANDARD LOCKnuts ARE NOT ACCEPTABLE.
 - PROVIDE EDC CONNECTED TO ANY JUNCTION BOX WHERE SPLICE IS MADE (250.148).
 - PROVIDE BOND TO EXPOSED METAL ON ALL MOTORS, PUMPS, AND LIGHTING FIXTURES PER (250.112).
 - FOR LIGHTNING PROTECTION SYSTEM: PROVIDE LIGHTNING PROTECTION GROUND RODS LAPPED TOGETHER WITH COPPER CABLE. OTHERWISE BONDING CONDUCTOR WILL ONLY CONNECT TO ONE DOWN CONDUCTOR ROD. VERIFY THAT LIGHTNING PROTECTION DOWN CONDUCTORS ARE BONDED TO LOCAL GROUNDING METAL TO PREVENT FLASHOVERS.

4 GROUNDING DETAIL
E04.01 SCALE: NOT TO SCALE



HUSSEY GAY BELL
— Established 1958 —

| | | |
|----------|-------|---------|
| DESIGNED | DRAWN | CHECKED |
| WRL | WLS | WRL |

DATE: 05/23/2019
JOB NO.: 216-4801-01
05/21/19

EFFINGHAM COUNTY GYMNASIUM
CLARENCE E. MORGAN RECREATION COMPLEX
11750 GA. 21, SPRINGFIELD, GEORGIA 31329

ELECTRICAL DETAILS
DRAWING NUMBER
E04.01