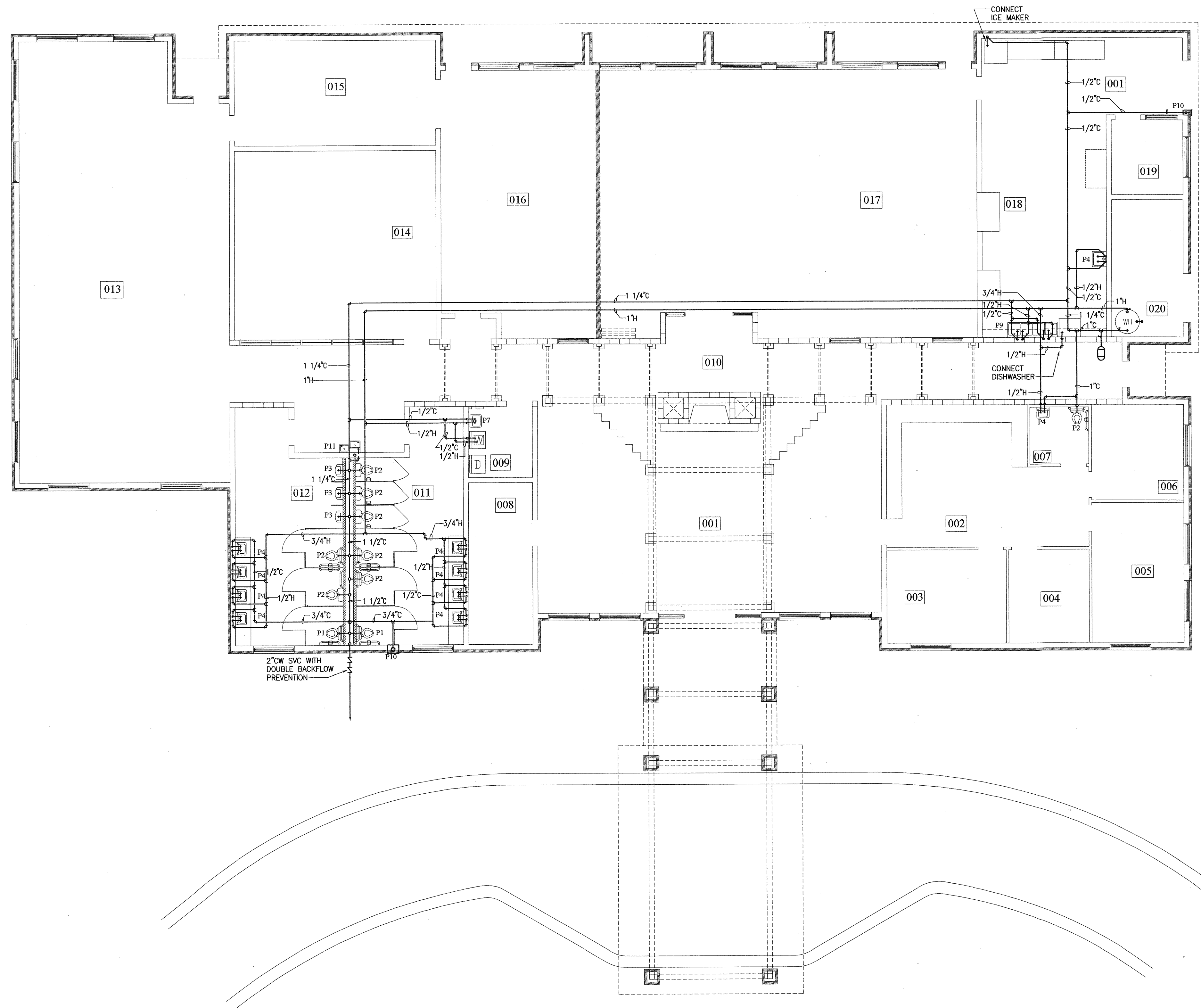


THIS DOCUMENT IS THE PROPERTY OF FRANK PROVEDENCE HOGSHEAD ENGINEERING, P.C. IT IS TO BE USED ONLY FOR THE PROJECT AND SITE SPECIFICALLY IDENTIFIED HEREIN. ANY REUSE OR MODIFICATION OF THIS DOCUMENT, IN WHOLE OR IN PART, WITHOUT WRITTEN CONSENT OF FRANK PROVEDENCE HOGSHEAD ENGINEERING, P.C. IS STRICTLY PROHIBITED. THIS DOCUMENT, WHEN REPRODUCED, SHALL BE CONSIDERED TO BE VALID. REV. CODES



USES	
001	LOBBY
002	ADMINISTRATION / WORK AREA
003	ASSISTANT DIRECTOR'S OFFICE
004	RECORDS
005	DIRECTOR'S OFFICE
006	STORAGE
007	TOILET
008	STORAGE
009	HOUSE KEEPING
010	GALLERY
011	WOMEN'S RESTROOM
012	MEN'S RESTROOM
013	CRAFTS WORKSHOP
014	BILARDS ROOM
015	STORAGE
016	COMMUNITY ROOM
017	DINING AREA
018	KITCHEN
019	OFFICE
020	ELECTRICAL

PLUMBING FIXTURE SCHEDULE :	
KEY	DESCRIPTION
P1	KOHLER ANGLESEY K-4386 FLOOR MOUNTED WATER CLOSET WITH 1 1/2" TOP SPUD ELONGATED BOWL SIPHON JET SYSTEM W/ K4670-CA LUSTRA SEAT, ADA COMPLIANT, W/ SLOAN ROYAL 111 FLUSH VALVE 1.6 GPF.
P2	SAME AS P1 BUT WITH RIM MOUNTING HEIGHT OF 14 1/2" AFF.
P3	KOHLER WALL MOUNT URINAL FRESHMAN K-4989-T 2 W/ 3/4" TOP SPUD W/ SLOAN ROYAL 180-1 FLUSH VALVE, RECOMMENDED TRAP 1.0 GPF.
P4	KOHLER CHESAPEAKE K-1728 WALL HUNG LAVATORY WHITE W/ KOHLER K-13228-5 FAUCET W/ K7715 GRID DRAIN W/ 3/8" ANGLE SUPPORT CONCEALED ARMS AS REQUIRED BY KOHLER UNIT SPECIFIED.
P5	AMERICAN STANDARD ACCLIVITY COUNTERTOP LAVATORY - 3409.803 SELF RIMMING AMERICAST BRAND ENGINEERED MATERIAL 19"W x 8 1/4"D W/ 3/8" ANGLE SUPPLIES, RECOMMENDED TRAP, GRID STRAINER W/ AMERICAN STANDARD TWO HANDLE CENTERSET FAUCET 5400.172H BRASS WRIST BLADE HANDLES.
P6	FLOOR DRAIN - JOSAM 30600-S SERIES 88 COATED CAST IRON W/ INTEGRAL DEEP DRUM "P" TRAP.
P7	FLORESTONE FLOOR MOUNT UTILITY SINK W/ KOHLER K-7894 FAUCET W/ K-7605 P-3/8" ANGLE SUPPLIES W/ PLASTIC P-TRAP.
P8	ZURN 3" CLEANOUT-Z1403-NL-NEOLOC HUB FOR 3" PIPE - ADJUSTABLE "LEVEL-TROL".
P9	KLINGER'S TRADING, INC. THREE COMPARTMENT SINK W/ 24" DOUBLE DRAIN BOARD KLI-ECS32024 W/ CHICAGO MODEL 201A-GN8A-E3-317 DECK MOUNT FAUCET 8" CENTER, 14" SPOUT AND 4" BLADE HANDLES, E3 AERATOR, 2.0 GPM @ 80 PSI, CHICAGO COMMERCIAL DRAIN MODEL 134 B TWIST WASTE, 3" SINK OPENING 1 1/2" DRAIN.
P10	JOSAM NON-FREEZE BOX TYPE 71500-10 (FOR 10" WALL).
P11	ELKAY ADA COMPLIANT TWO-LEVEL WATER COOLER EBFATL-8 GREY BEIGE 8 G.P.H., LEAD FREE, HFC 134A REFRIGERANT.

WATER SUPPLY PLAN  
1/8" = 1'-0"



**FRANK PROVEDENCE HOGSHEAD ENGINEERING, P.C.**  
1902 KINGSBRIDGE DRIVE  
DALTON, GEORGIA  
706-428-9938

REV. NO.	DESCRIPTION	DATE

PROJECT MANAGER: EDC  
DRAWING SCALE: 1/8"=1'-0"  
PROJECT DATE: 09-08-04  
APPROVED BY: [Signature]  
PROJECT NUMBER: 46332.05A1  
FILE NAME: SC-A1-MED2.DWG  
PLOT DATE: 07-23-05

**JKH Architects**  
P.O. Box 1679  
121 West Crawford Street  
Dalton, Georgia 30722  
(706) 278-4242

**WK DICKSON**  
community infrastructure consultants  
2120 POWERS FERRY RD., SUITE 100  
ATLANTA, GA 30339  
(770) 955-5574  
Office Locations:  
North Carolina  
South Carolina  
Georgia  
Florida

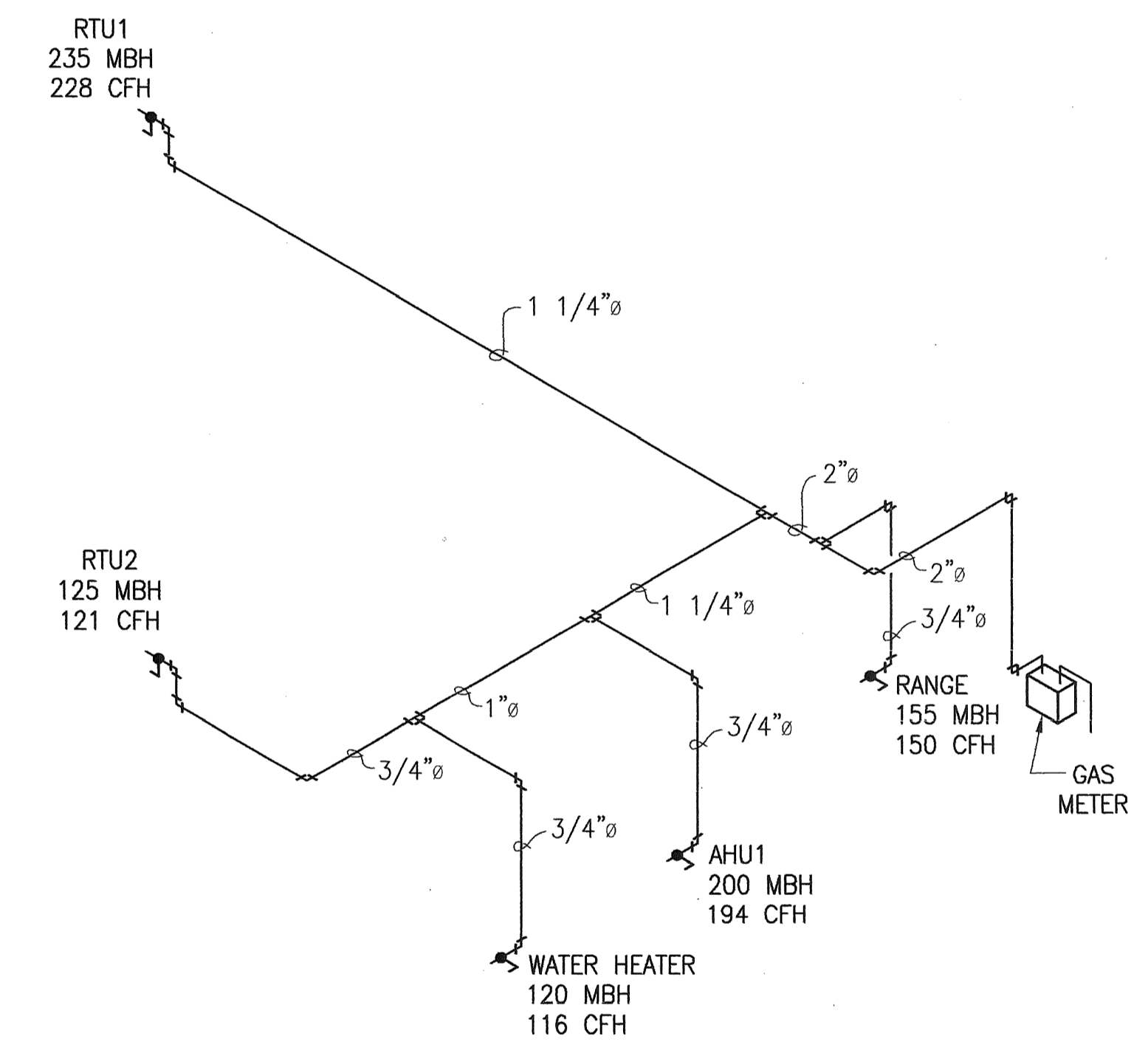
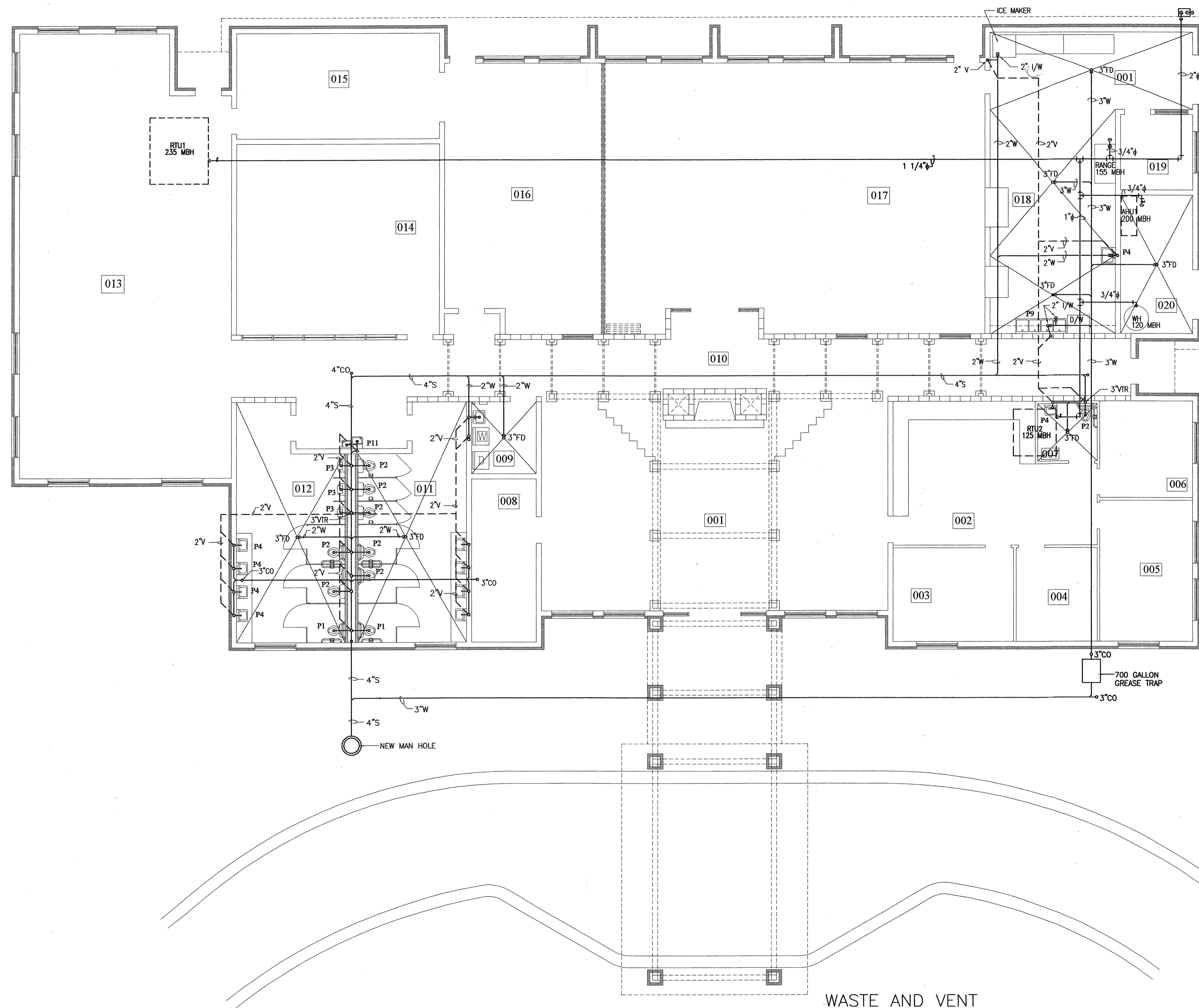
NEW PARK  
FOR THE  
OCONEE COUNTY PARKS AND RECREATION  
OCONEE COUNTY, GEORGIA

SENIOR CENTER  
WATER SUPPLY PLAN

SC  
P1-1

COPYRIGHT © JKH ARCHITECTS, LLC. ALL RIGHTS RESERVED. REPRODUCTION OR USE OF THE CONTENTS OF THIS DOCUMENT WITHOUT THE WRITTEN PERMISSION OF JKH ARCHITECTS, LLC IS PROHIBITED. ANY COPIES FROM THE ORIGINAL OF THIS DOCUMENT, MARKED WITH AN ORIGINAL SIGNATURE AND SEAL, SHALL BE CONSIDERED TO BE VALID.

USES	
001	LOBBY
002	ADMINISTRATION / WORK AREA
003	ASSISTANT DIRECTOR'S OFFICE
004	RECORDS
005	DIRECTOR'S OFFICE
006	STORAGE
007	TOILET
008	STORAGE
009	HOUSE KEEPING
010	GALLERY
011	WOMEN'S RESTROOM
012	MEN'S RESTROOM
013	CRAFTS WORKSHOP
014	BIILARDS ROOM
015	STORAGE
016	COMMUNITY ROOM
017	DINING AREA
018	KITCHEN
019	OFFICE
020	ELECTRICAL



NATURAL GAS SERVICE ISOMETRIC  
NOT TO SCALE

WASTE AND VENT  
1/8" = 1'-0"



**FRANK PROVIDENCE HOGSHEAD ENGINEERING, P.C.**  
1302 KINGSRIDGE DRIVE  
DALTON, GEORGIA  
706-428-9938

REV. NO.	DESCRIPTION	DATE

PROJECT MANAGER: ESC  
 DRAWING SCALE: 1/8"=1'-0"  
 PROJECT DATE: 09-08-04  
 APPROVED BY: STWF  
 PROJECT NUMBER: 40332.00.AT  
 FILE NAME: ESC/RFD  
 PLOT DATE: 07-23-05  
 SC-41-MECH2.DWG

**JKH Architects**  
 P.O. Box 1679  
 121 West Crawford Street  
 Dalton, Georgia 30722  
 (706) 278-4242

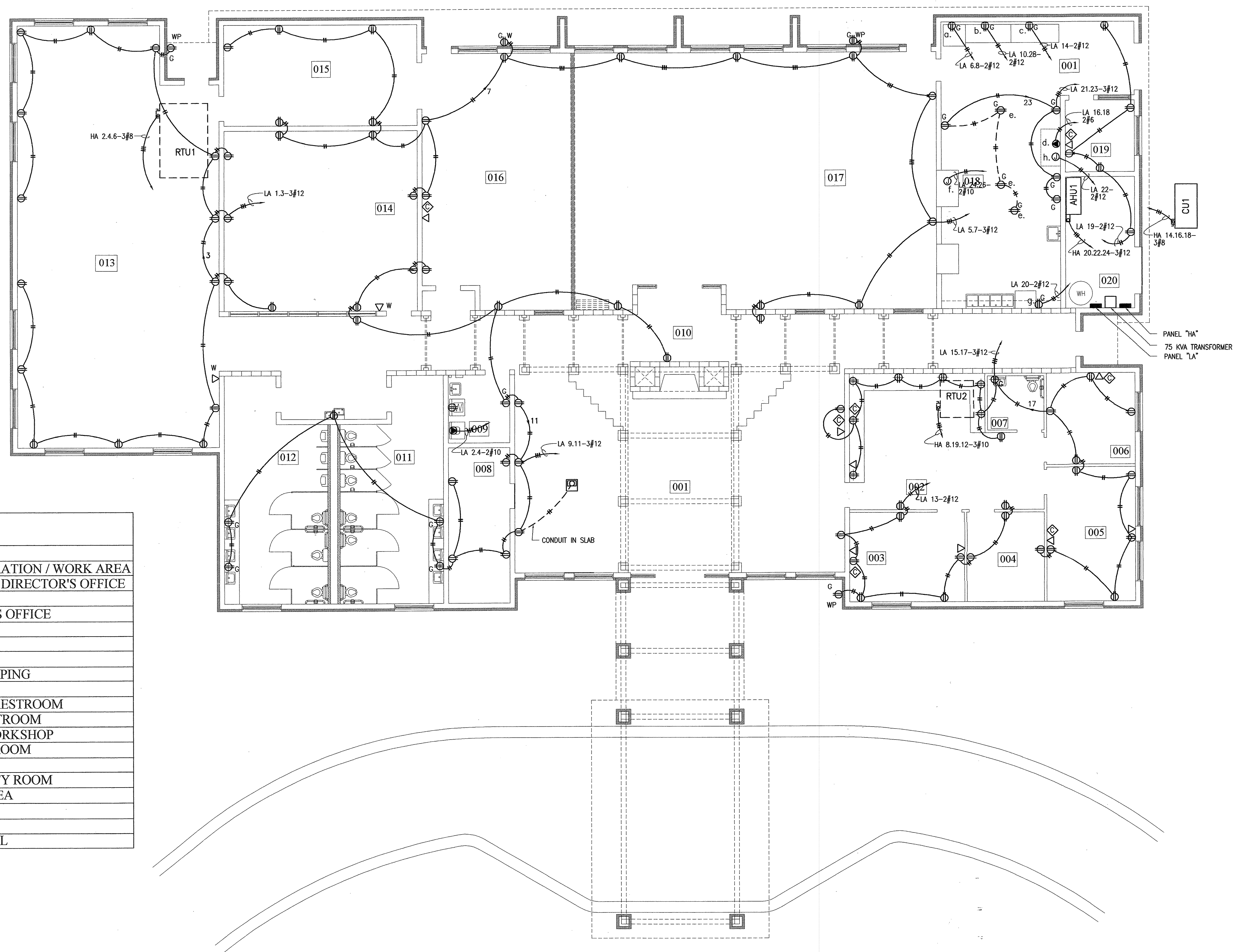
**WK DICKSON**  
 community infrastructure consultants  
 2120 POWERS FERRY RD., SUITE 100  
 ATLANTA, GA 30339  
 (770) 955-5574  
 Office Locations:  
 North Carolina  
 South Carolina  
 Georgia  
 Florida

NEW PARK  
 FOR THE  
 OCONEE COUNTY PARKS AND RECREATION  
 OCONEE COUNTY, GEORGIA

SENIOR CENTER  
 WASTE AND VENT

SC  
 P2-1

COPYRIGHT © JKH ARCHITECTS, LLC. ALL RIGHTS RESERVED. REPRODUCTION OR USE OF THE CONTENTS OF THIS DOCUMENT WITHOUT THE WRITTEN PERMISSION OF JKH ARCHITECTS, LLC IS PROHIBITED. THE ORIGINAL OF THIS DOCUMENT, MARKED WITH AN ORIGINAL SIGNATURE AND SEAL SHALL BE CONSIDERED TO BE VALID. THESE COPIES.



USES	
001	LOBBY
002	ADMINISTRATION / WORK AREA
003	ASSISTANT DIRECTOR'S OFFICE
004	RECORDS
005	DIRECTOR'S OFFICE
006	STORAGE
007	TOILET
008	STORAGE
009	HOUSE KEEPING
010	GALLERY
011	WOMEN'S RESTROOM
012	MEN'S RESTROOM
013	CRAFTS WORKSHOP
014	BILLARDS ROOM
015	STORAGE
016	COMMUNITY ROOM
017	DINING AREA
018	KITCHEN
019	OFFICE
020	ELECTRICAL

PANELBOARD: SC "HA"											
VOLT: 480/277		PHASE: 3		WIRE: 4		MOUNTING: SURFACE		MAIN: 400/3		AIC:	
A-143.4; B-161.9; C-148.7											
CKT.	SERVES	AMP	C/B	A	B	C	C/B	AMP	SERVES	CKT.	
1	KITCHEN/ELECT LIGHTING	6.0	20/1	•	•	•	40/3	35	RTU 1 (CRAFTS) 12 TON	2	
3	COMM DIN/COMM ACT LTG	11.0	20/1	•	•	•		35		4	
5	BILLIARD/STRG/RESTROOM LTG	10.0	20/1	•	•	•		35		6	
7	CRAFTS LIGHTING	7.9	20/1	•	•	•	25/3	18	RTU 2 (OFFICES) 5 TON	8	
9	LOBBY/RECEPTION/CANOPY LTG	12.9	20/1	•	•	•		18		10	
11	OFFICE LIGHTING	6.7	20/1	•	•	•		18		12	
13	CORRIDOR LIGHTING	7.5	20/1	•	•	•	40/3	25	CU 1 (KITCHEN/DINING) 10 TON	14	
15								25		16	
17								25		18	
19							15/3	4	AHU 1	20	
21								4		22	
23								4		24	
25										26	
27										28	
29										30	
31										32	
33										34	
35										36	
37	75KVA TRANSFORMER	40	9013	•	•	•				38	
39		56								40	
41		50								42	

PANELBOARD: SC "LA"											
VOLT: 120/208		PHASE: 3		WIRE: 4		MOUNTING: SURFACE		MAIN: 200/3		AIC:	
A-91.4; B-129.2; C-115											
CKT.	SERVES	AMP	C/B	A	B	C	C/B	AMP	SERVES	CKT.	
1	CRAFTS RECEPCTS	8.0	20/1	•	•	•	30/2	21	CLOTHES DRYER	2	
3	CRAFTS/BILLIARDS RECEPCTS	8.0	20/1	•	•	•		21		4	
5	COMM ACT/COMM DIN RECEPCTS	8.0	20/1	•	•	•	20/2	6.0	ICE MAKER	6	
7	STRG/BILLIARD/COMM ACT RECEPCTS	6.0	20/1	•	•	•		6.0		8	
9	STRG/RESTROOM/LOBBY RECEPCTS	4.0	20/1	•	•	•	20/2	12.9	FREEZER	10	
11	HSKPG/BILLIARD/COMM ACT RECEPCTS	8.0	20/1	•	•	•		12.9		12	
13	ASST. DIR OFFICE RECEPCTS	6.0	20/1	•	•	•	20/1	11.6	REFRIGERATOR	14	
15	ADMIN WORK AREA RECEPCTS	8.0	20/1	•	•	•				16	
17	OFFICES/DIR OFFICE RECEPCTS	6.0	20/1	•	•	•				18	
19	KITCHEN OFFICE/ELEC RECEPCTS	4.0	20/1	•	•	•	20/1	13.0	DISHWASHER	20	
21	MISC KITCHEN RECEPCTS	8.0	20/1	•	•	•	20/1	12.0	HOOD	22	
23	MISC KITCHEN RECEPCTS	8.0	20/1	•	•	•	30/2	15.8	STEAM TABLE	24	
25										26	
27										28	
29										30	
31										32	
33										34	
35										36	
37										38	
39										40	
41										42	

**KITCHEN POWER NOTES**

a. CONNECT ICE MACHINE - 208/1-6.0a

b. CONNECT FREEZER - 208/1-12.9a

c. CONNECT REFRIGERATOR - 120-11.6

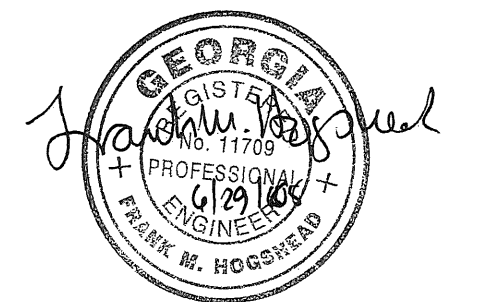
e. PROVIDEHUBBELL 6256 ADJUSTABLE FLOOR BOX WITH 6300 LOW PROFILE SERVICE PEDESTAL AND 6313 DUPLEX RECEPTACLE PLATE

f. CONNECT STEAM TABLE - 208/1-15.8a

g. CONNECT DISHWASHER - 120V-13a

h. CONNECT RANGE HOOD - 120V-12a

ELECTRICAL POWER PLAN  
1/8" = 1'-0"



**FRANK PROVIDENCE**  
HOGSHEAD ENGINEERING, PC  
1902 KINGSBRIDGE DRIVE  
DALTON, GEORGIA  
706-428-9938

REV. NO.	DESCRIPTION	DATE

PROJECT MANAGER: EDC  
DRAWING SCALE: 1/8"=1'  
PROJECT DATE: 08-08-04  
APPROVED BY: EDC/RFO  
FILE NAME: SC-A1-MED2.DWG  
PLOT DATE: 07-23-05

**JKH Architects**  
P.O. Box 1679  
121 West Crawford Street  
Dalton, Georgia 30722  
(706) 278-4242

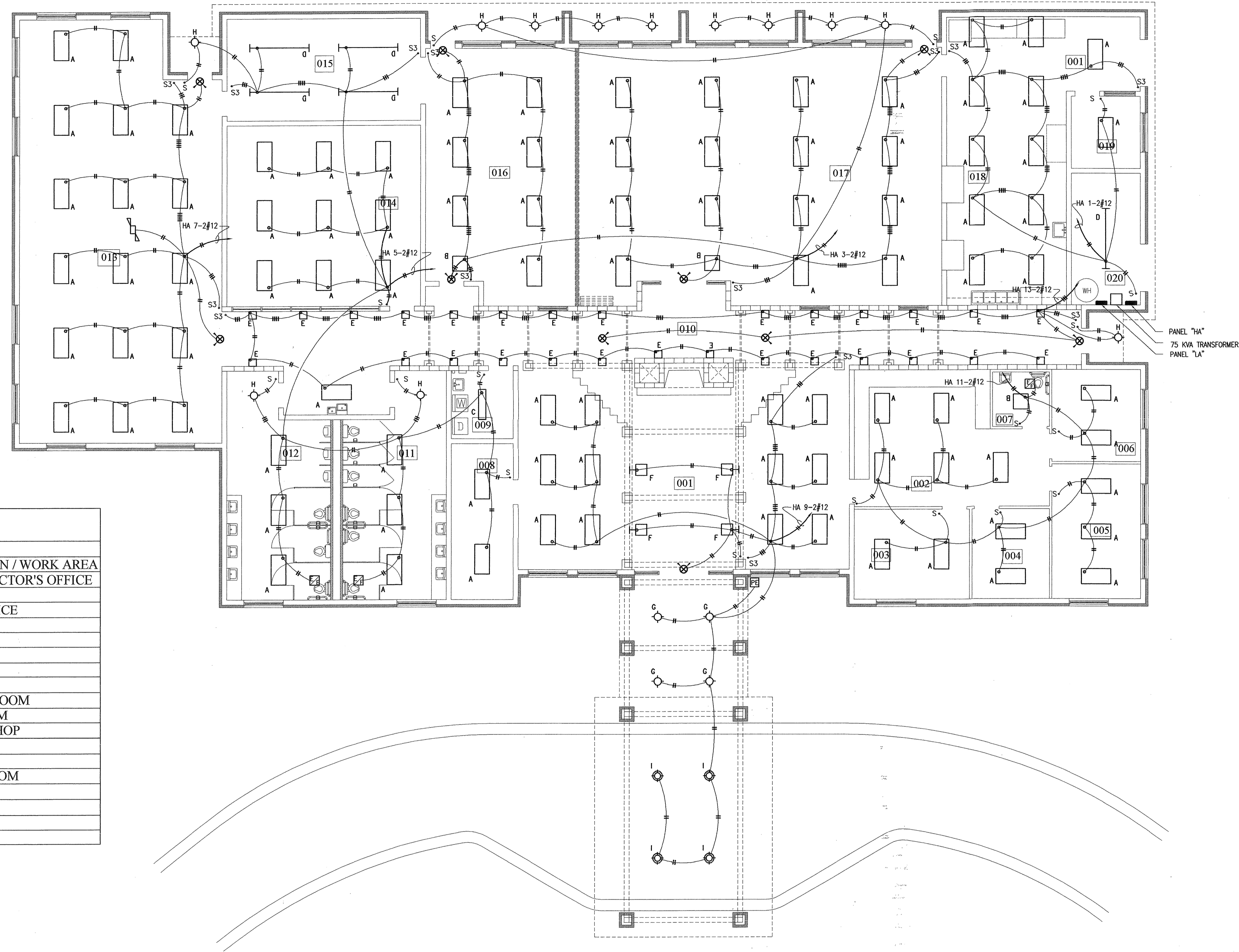
**WK DICKSON**  
community infrastructure consultants  
2120 POWERS FERRY RD., SUITE 100  
ATLANTA, GA 30339  
(770) 955-5574  
Office Locations: North Carolina, Georgia, South Carolina, Florida

NEW PARK  
FOR THE  
OCONEE COUNTY PARKS AND RECREATION  
OCONEE COUNTY, GEORGIA

SENIOR CENTER  
ELECTRICAL POWER PLAN

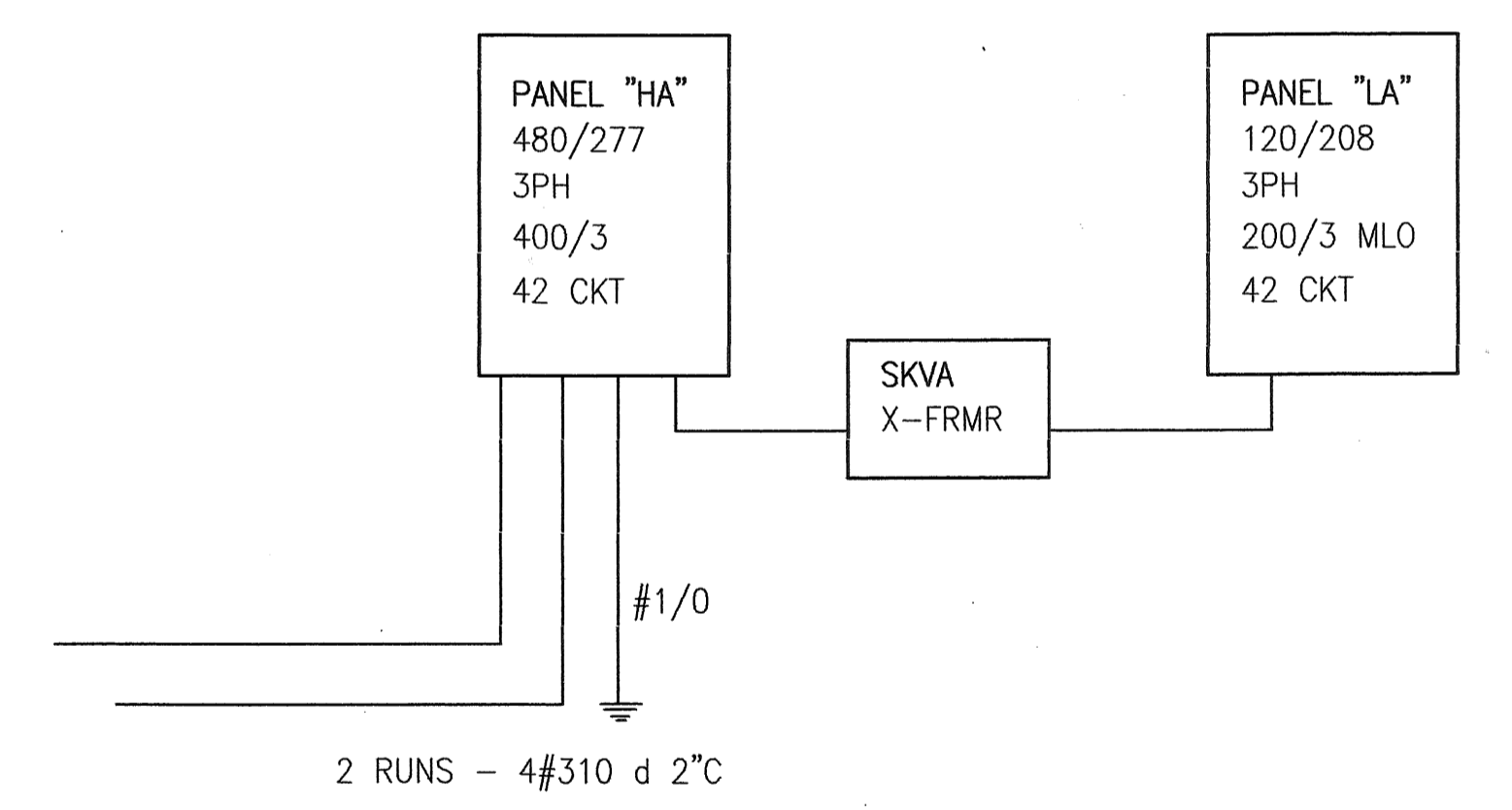
SC  
E1-1

COPYRIGHT © JKH ARCHITECTS, LLC. ALL RIGHTS RESERVED. REPRODUCTION OR USE OF THE CONTENTS OF THIS DOCUMENT, INCLUDING OR RELYING ON THIS DOCUMENT, IN WHOLE OR IN PART, WITHOUT WRITTEN CONSENT OF JKH ARCHITECTS, LLC, IS STRICTLY PROHIBITED. THIS DOCUMENT, INCLUDING THIS DOCUMENT, IS THE PROPERTY OF JKH ARCHITECTS, LLC AND SHALL BE CONSIDERED VOID IF NOT SIGNED AND SEALED BY THESE CODES.



SCHEDULE :	
KEY	DESCRIPTION
	LITHONIA STATIC 2'x4' RECESSED FLUORESCENT FIXTURE 2SP8 G 4 32 A12125 277 GEB
	LITHONIA STATIC 2'x2' RECESSED FLUORESCENT FIXTURE 2SP8 G 417 A12125 277 GEB
	LITHONIA SURFACE COMMERCIAL 1'x4' FLUORESCENT FIXTURE - SB 232 277 GEB
	LITHONIA 8' STRIP FLUORESCENT FIXTURE C 2 96 277 ES U12 75W T12 LAMPS - 277V
	RUUD SE SERIES - WALL MOUNT UP/DOWN LIGHT 8" SQUARE - 70W MH
	LITHONIA WALL MOUNTED LIGHT DIRECTED UP TO CEILING WFL3 250M RW 277 QRS LPI DWH
	LITHONIA LOW BAY CYLINDER TG 100M E13 277 DARK BRONZE
	LITHONIA RECESSED FLUORESCENT DOWNLIGHT AF1/18TRT BAR 277
	LITHONIA LOW BAY CYLINDER TG 175M E13 277 DARK BRONZE
	LITHONIA QUANTUM LED EXIT LIGHT LQM S W 3 R120/277 ELN
	LITHONIA QUANTUM LED EXIT LIGHT ITH INTEGRAL EGRESS LIGHTS - LHQM S W 3 R120/277 N
	EXHAUST FAN
	PHOTOCELL
	LITHONIA QUANTUM 6ELM 2 DUAL HEAD EMERGENCY LIGHTING UNIT

USES	
001	LOBBY
002	ADMINISTRATION / WORK AREA
003	ASSISTANT DIRECTOR'S OFFICE
004	RECORDS
005	DIRECTOR'S OFFICE
006	STORAGE
007	TOILET
008	STORAGE
009	HOUSE KEEPING
010	GALLERY
011	WOMEN'S RESTROOM
012	MEN'S RESTROOM
013	CRAFTS WORKSHOP
014	BILARDS ROOM
015	STORAGE
016	COMMUNITY ROOM
017	DINING AREA
018	KITCHEN
019	OFFICE
020	ELECTRICAL



ELECTRICAL LIGHTING PLAN  
1/8" = 1'-0"

ELECTRICAL RISER  
NOT TO SCALE



**FRANK PROVIDENCE HOGSHEAD ENGINEERING, PC**  
1205 KINGSBRIDGE DRIVE  
DALTON, GEORGIA  
706-428-9938

REV. NO.	DESCRIPTION	DATE

PROJECT MANAGER	DRAWING SCALE
EGC	1/8"=1'
DRAWN BY	PROJECT DATE
SWT	09-09-04
APPROVED BY	PROJECT NUMBER
EGC/RPD	40332.00.AT
FILE NAME	PLT DATE
SC-A1-NECH2.DWG	07-23-05

**JKH Architects**  
P.O. Box 1679  
121 West Crawford Street  
Dalton, Georgia 30722  
(706) 278-4242

**WK DICKSON**  
community infrastructure consultants  
Office Locations:  
North Carolina  
South Carolina  
Georgia  
Florida

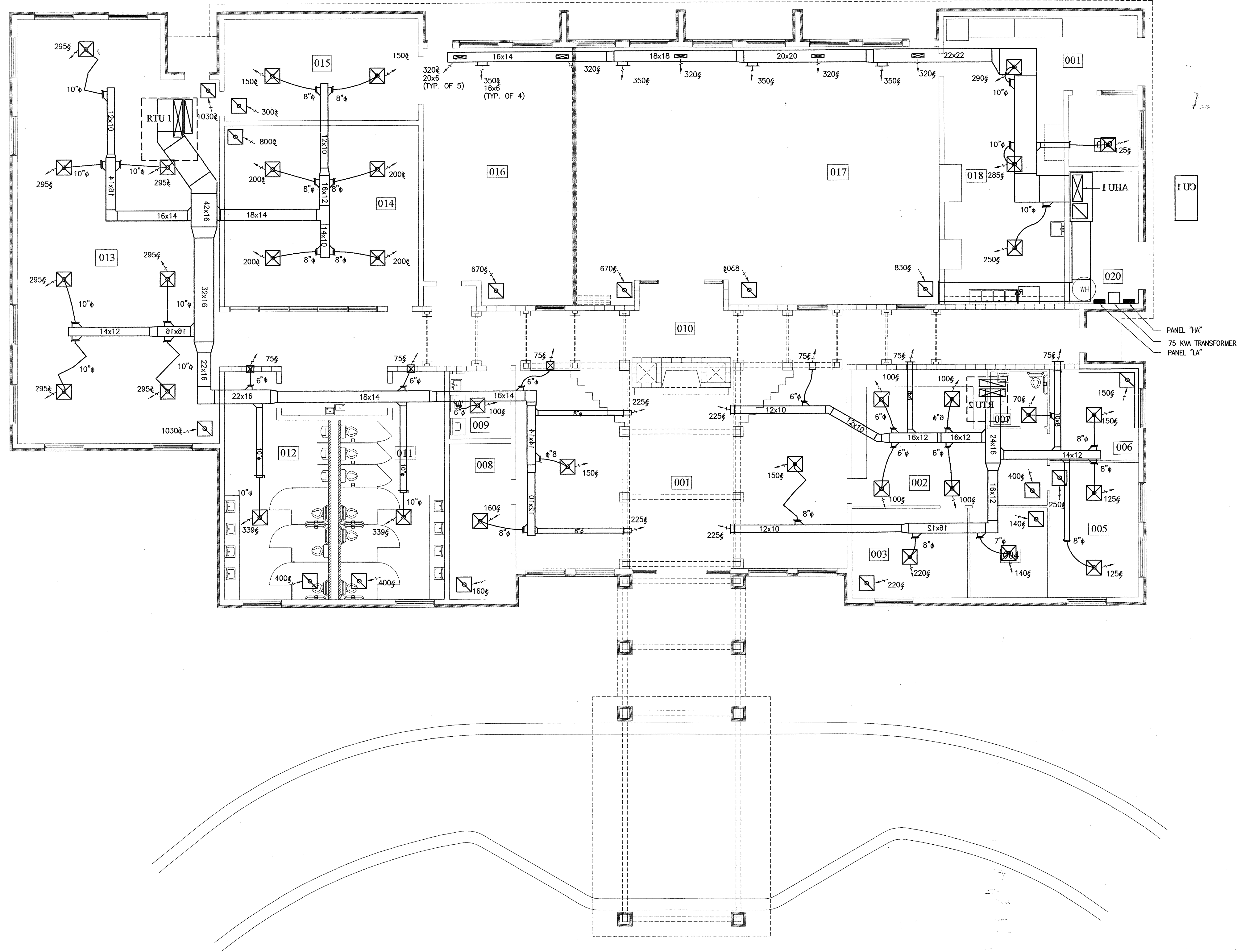
2120 POWERS FERRY RD.  
SUITE 100  
ATLANTA, GA 30339  
(770) 955-5574

NEW PARK  
FOR THE  
OCONEE COUNTY PARKS AND RECREATION  
OCONEE COUNTY, GEORGIA

SENIOR CENTER  
ELECTRICAL LIGHTING PLAN

SC  
L1-1

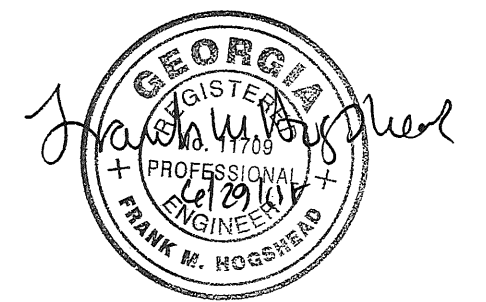
COPYRIGHT © JKH ARCHITECTS, LLC. ALL RIGHTS RESERVED. REPRODUCTION OR USE OF THE CONTENTS OF THIS DOCUMENT, INCLUDING OR RELYING ON THIS DOCUMENT, IN WHOLE OR IN PART, WITHOUT WRITTEN CONSENT OF JKH ARCHITECTS, LLC IS PROHIBITED. THIS DOCUMENT, INCLUDING OR RELYING ON THIS DOCUMENT, IS TO BE USED ONLY FOR THE PROJECT AND SITE SPECIFICALLY IDENTIFIED HEREIN. ANY OTHER USE, REPRODUCTION, OR TRANSMISSION OF THIS DOCUMENT, INCLUDING OR RELYING ON THIS DOCUMENT, IS PROHIBITED. THIS DOCUMENT, INCLUDING OR RELYING ON THIS DOCUMENT, IS TO BE USED ONLY FOR THE PROJECT AND SITE SPECIFICALLY IDENTIFIED HEREIN. ANY OTHER USE, REPRODUCTION, OR TRANSMISSION OF THIS DOCUMENT, INCLUDING OR RELYING ON THIS DOCUMENT, IS PROHIBITED.



USES	
001	LOBBY
002	ADMINISTRATION / WORK AREA
003	ASSISTANT DIRECTOR'S OFFICE
004	RECORDS
005	DIRECTOR'S OFFICE
006	STORAGE
007	TOILET
008	STORAGE
009	HOUSE KEEPING
010	GALLERY
011	WOMEN'S RESTROOM
012	MEN'S RESTROOM
013	CRAFTS WORKSHOP
014	BILLARDS ROOM
015	STORAGE
016	COMMUNITY ROOM
017	DINING AREA
018	KITCHEN
019	OFFICE
020	ELECTRICAL

MECHANICAL EQUIPMENT SCHEDULE:										
ROOF TOP PACKAGE UNITS										
MARK	MANUFACTURER / MODEL	TONS	CFM	COOLING CAPACITY		HEATING CAPACITY	VOLT	PA	MCA	MDCP
				TOTAL	SENSIBLE					
RTU 1	LENNOX LGA 150 SH 1G	12	12	145,600	99008	235,000	480	3	35	40
RTU 2	LENNOX LGA 060 SH 1G	5	12	60,600	44238	125,000	480	3	18	25
SPLIT SYSTEM										
MARK	MANUFACTURER / MODEL	TONS	CFM	COOLING CAPACITY		HEATING CAPACITY	VOLT	PA	MCA	MDCP
				TOTAL	SENSIBLE					
CU 1	LENNOX HS 29 120 1G	10.0	-	131,000	98250	-	480	3	25	40
AHU 1	LENNOX G24-200	-	3950			200,000	480	3	4	15

MECHANICAL PLAN  
1/8" = 1'-0"



**FRANK PROVIDENCE HOGSHEAD ENGINEERING, PC**  
1902 KINGSBRIDGE DRIVE  
DALTON, GEORGIA  
706-428-9938

REV. NO.	DESCRIPTION	DATE

PROJECT MANAGER: EGC  
 DRAWING SCALE: 1/8"=1'  
 PROJECT DATE: 09-08-04  
 APPROVED BY: [Signature]  
 FILE NAME: SC-A1-MECH2.DWG  
 PLOT DATE: 07-23-05

**JKH Architects**  
 P.O. Box 1679  
 121 West Crawford Street  
 Dalton, Georgia 30722  
 (706) 278-4242

**WK DICKSON**  
 community infrastructure consultants

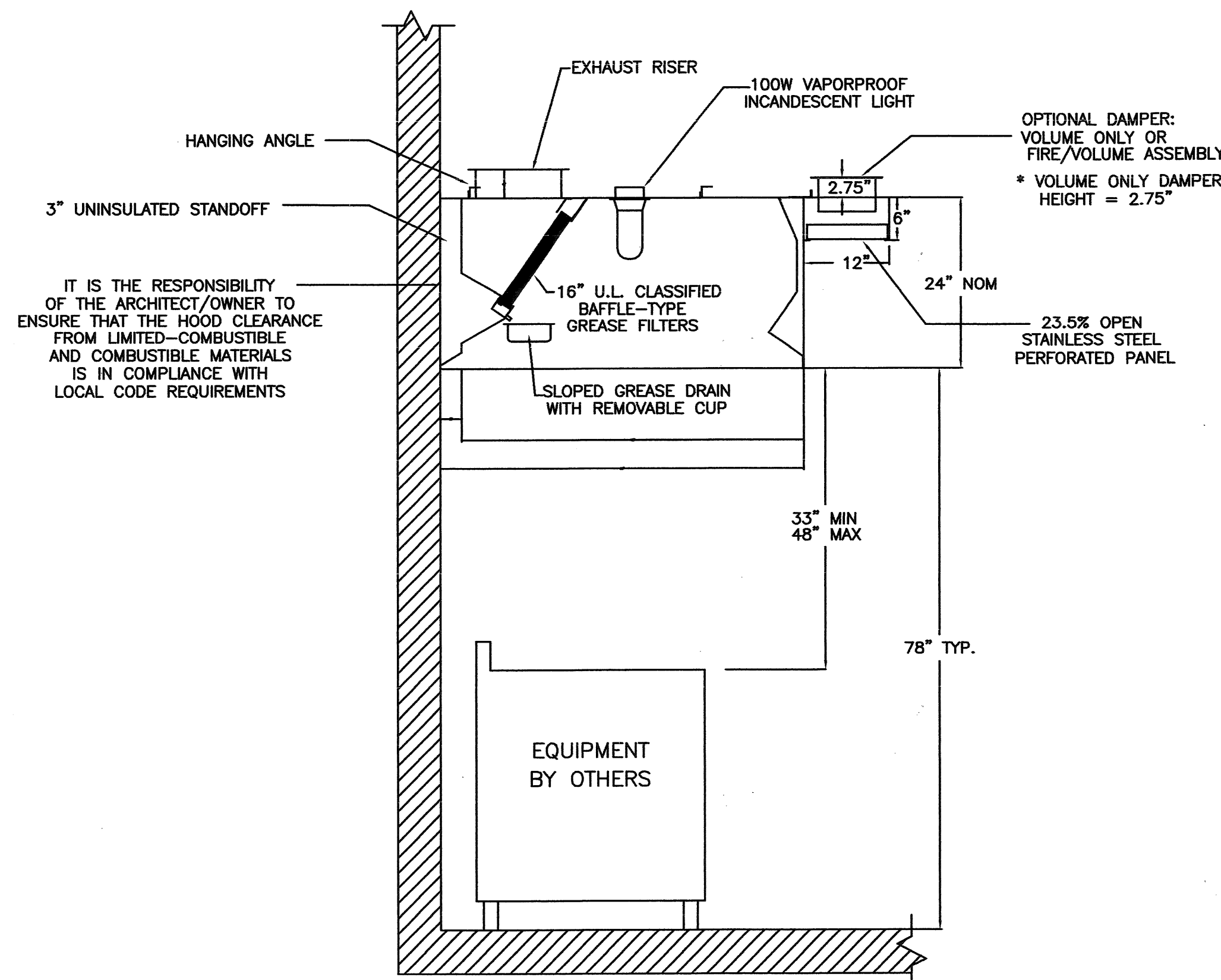
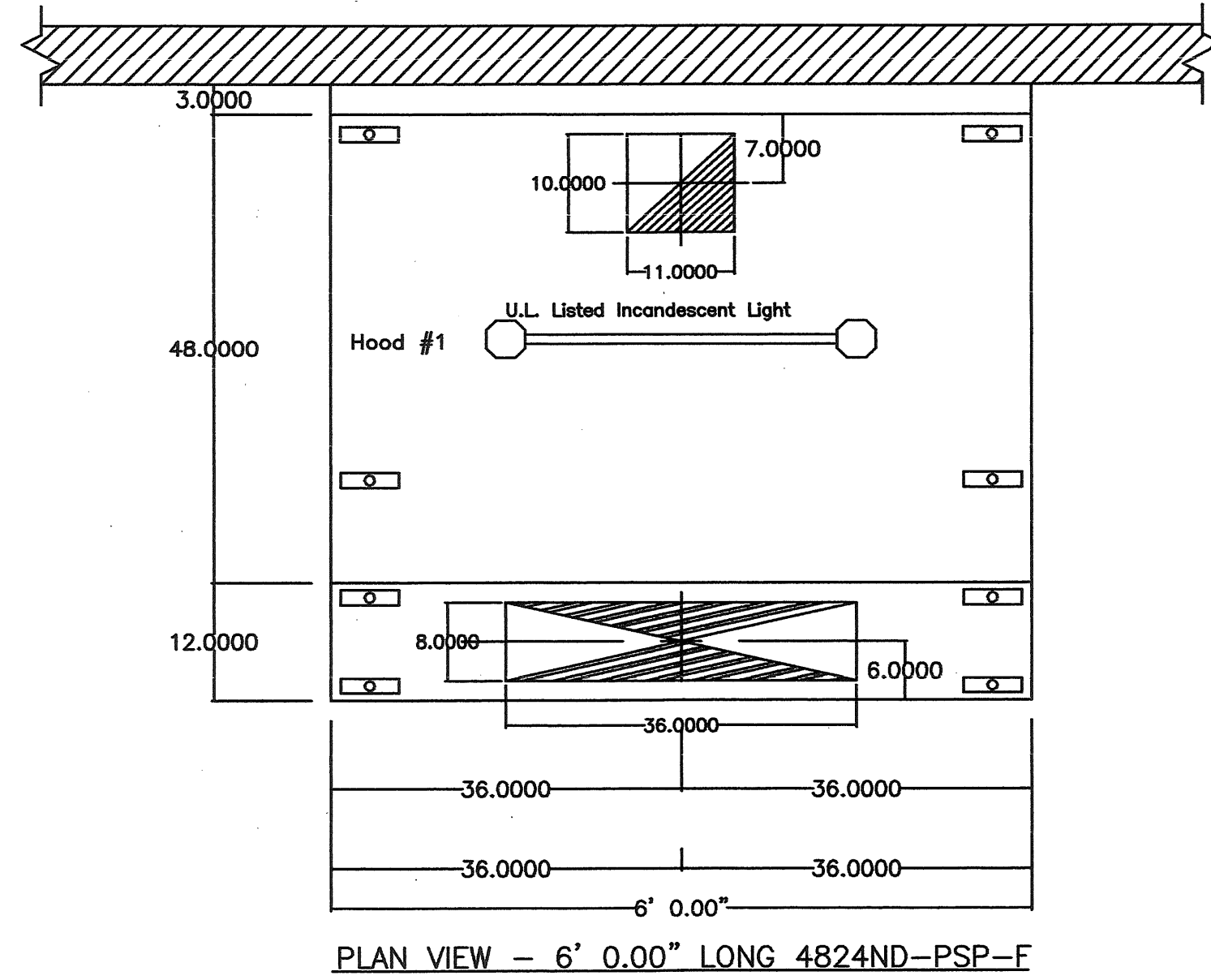
2120 POWERS FERRY RD.  
 SUITE 100  
 ATLANTA, GA 30339  
 (770) 935-0574  
 Office Locations:  
 North Carolina  
 South Carolina  
 Georgia  
 Florida

NEW PARK  
 FOR THE  
 OCONEE COUNTY PARKS AND RECREATION  
 OCONEE COUNTY, GEORGIA

SENIOR CENTER  
 MECHANICAL PLAN

SC  
 M1-1

COPYRIGHT © JKH ARCHITECTS, LLC. ALL RIGHTS RESERVED. REPRODUCTION OR USE OF THE CONTENTS OF THIS DOCUMENT WITHOUT THE WRITTEN PERMISSION OF JKH ARCHITECTS, LLC IS PROHIBITED. ANY UNAUTHORIZED REPRODUCTION OR USE OF THIS DOCUMENT IS STRICTLY PROHIBITED. ANY UNAUTHORIZED REPRODUCTION OR USE OF THIS DOCUMENT IS STRICTLY PROHIBITED. ANY UNAUTHORIZED REPRODUCTION OR USE OF THIS DOCUMENT IS STRICTLY PROHIBITED.



**SPECIFICATIONS: ND-PSP MODEL**

THE MODEL ND IS A WALL CANOPY EXHAUST HOOD. VENTILATOR SHALL BE COMPENSATING WITH THE ADDITION OF A PERFORATED SUPPLY PLENUM (PSP). SUPPLY AIR SHALL DISCHARGE THROUGH PERFORATED PANELS AT THE BOTTOM OF PLENUM.

THE HOOD COMPONENTS SHALL BE FABRICATED OF TYPE 430 STAINLESS STEEL, #3 OR #4 POLISH, ON ALL EXPOSED SURFACES. CONSTRUCTION SHALL BE IN ACCORDANCE WITH NFPA 96.

THE HOOD SHALL BE PROVIDED WITH HANGING ANGLES ON EACH END OF THE HOOD. AN ADDITIONAL SET OF HANGING ANGLES WILL BE PROVIDED FOR HOODS GREATER THAN 12' IN LENGTH.

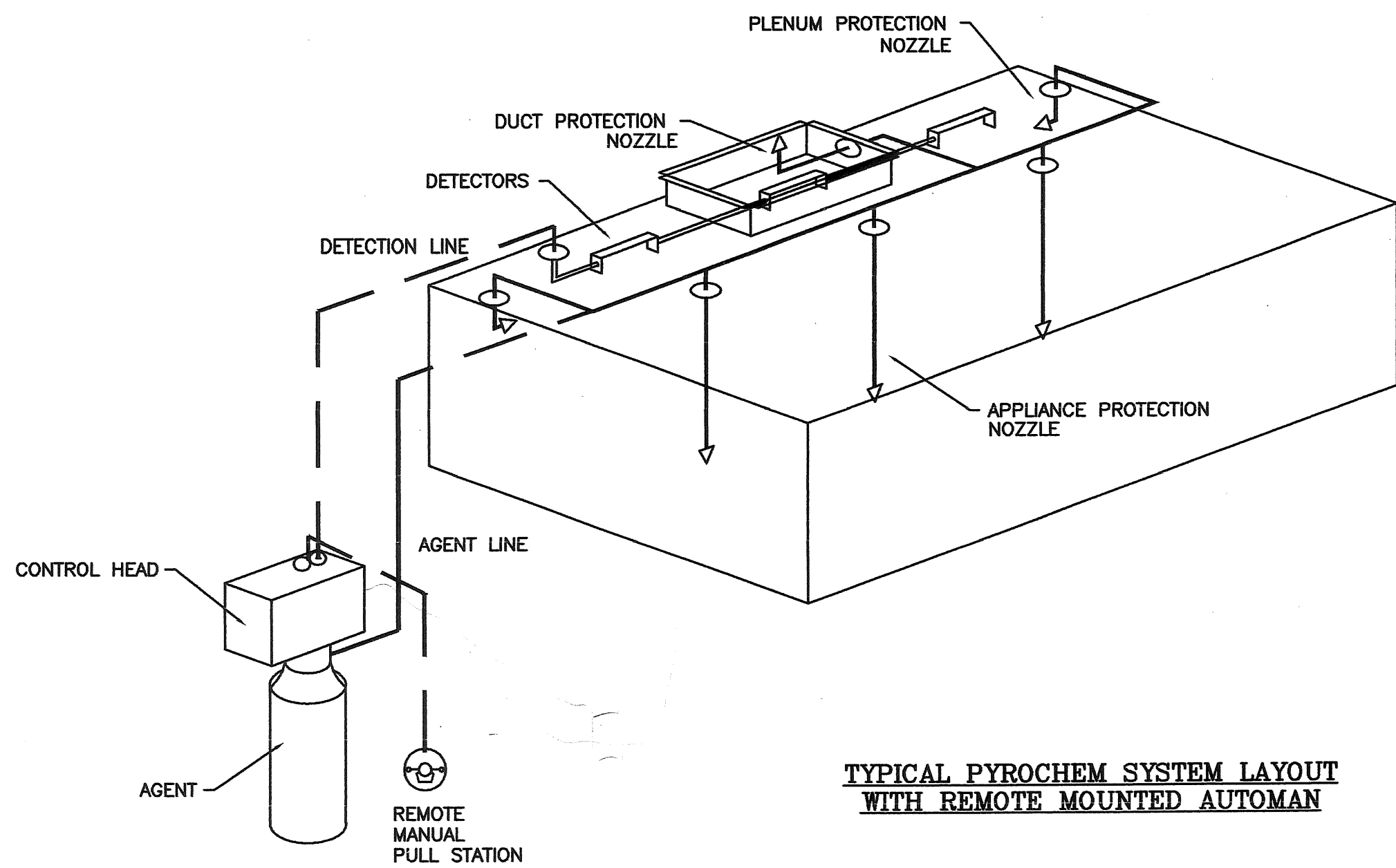
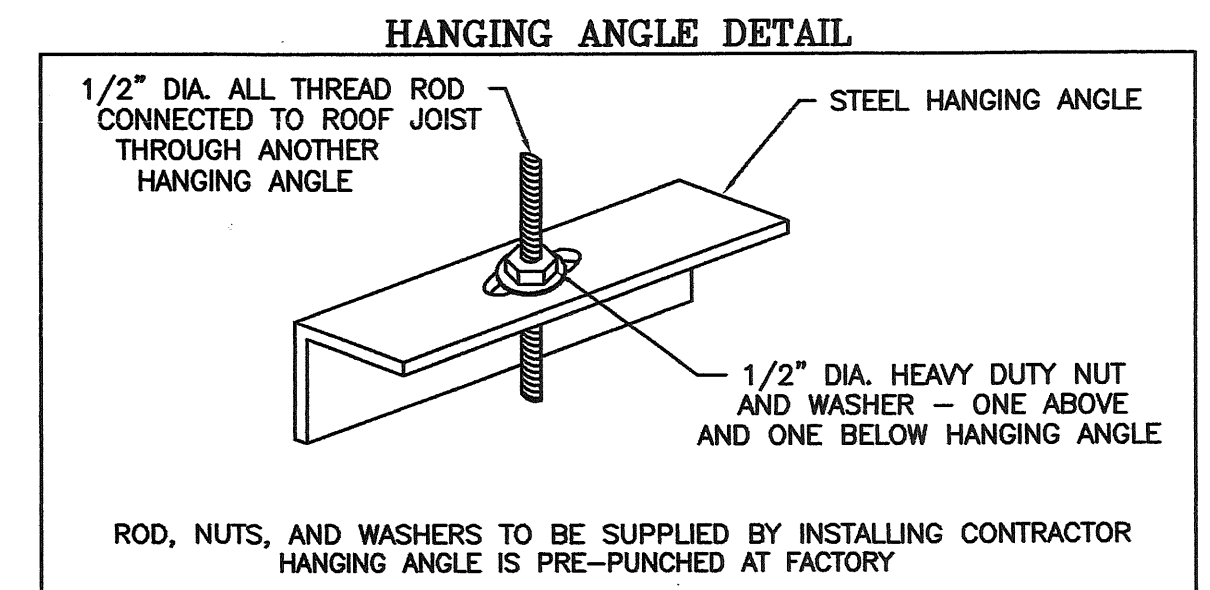
THE HOOD SHALL BE FITTED WITH U.L. CLASSIFIED ALUMINUM BAFFLE FILTERS WITH HANDLES. EACH FILTER SHALL BE EASILY REMOVABLE FOR CLEANING. THE FILTERS WILL DRAIN THE GREASE INTO A SLOPED GREASE DRAIN SYSTEM WITH REMOVABLE 1/2 PINT CUP FOR EASY CLEANING.

HOOD LIGHTS SHALL BE U.L. LISTED AND NSF LISTED FOR USE IN COMMERCIAL COOKING HOODS. EACH FIXTURE WILL ACCOMMODATE A 100 WATT INCANDESCENT BULB.

HOOD DIMENSIONS SHALL BE AS SHOWN ON DRAWINGS.

CAPTIVE-AIRE HOODS ARE BUILT IN COMPLIANCE WITH NFPA #96 AND ARE RECOGNIZED BY ONE OR MORE OF THE FOLLOWING:

NSF INTERNATIONAL  
ETL LISTED FILE# 3054804-001



TYPICAL PYROCHEM SYSTEM LAYOUT WITH REMOTE MOUNTED AUTOMAN

**SPECIFICATIONS**

THE RESTAURANT FIRE SUPPRESSION SYSTEM SHALL BE THE PRE-ENGINEERED TYPE WITH A FIXED NOZZLE AGENT DISTRIBUTION NETWORK. IT SHALL BE LISTED WITH UNDERWRITERS LABORATORIES, INC. (UL)

THE SYSTEM SHALL BE CAPABLE OF AUTOMATIC DETECTION AND ACTUATION WITH LOCAL OR REMOTE MANUAL ACTUATION. ACCESSORIES SHALL BE AVAILABLE FOR MECHANICAL OR ELECTRICAL GAS LINE SHUT-OFF APPLICATIONS.

THE EXTINGUISHING AGENT SHALL BE A POTASSIUM CARBONATE, POTASSIUM ACETATE-BASED FORMULATION DESIGNED FOR FLAME KNOCKDOWN AND SECUREMENT OF GREASE RELATED FIRES. IT SHALL BE AVAILABLE IN PLASTIC CONTAINERS WITH INSTRUCTIONS FOR LIQUID AGENT HANDLING AND USAGE.

THE REGULATED RELEASE MECHANISM SHALL BE COMPATIBLE WITH A FUSIBLE LINK DETECTION SYSTEM. THE FUSIBLE LINK SHALL BE SELECTED AND INSTALLED ACCORDING TO THE OPERATING TEMPERATURE IN THE VENTILATING SYSTEM. THE FUSIBLE LINK SHALL BE SUPPORTED BY A DETECTOR BRACKET/LINKAGE ASSEMBLY.

**HOOD INFORMATION**

HOOD NO.	MODEL	LENGTH	MAX. COOKING TEMP.	EXHAUST PLENUM					SUPPLY PLENUM					HOOD CONSTRUCTION	HOOD CONFIG.		SWITCHES ON HOOD			
				TOTAL EXH. CFM	WIDTH	LENG.	DIA.	CFM	S.P.	TOTAL SUP. CFM	WIDTH	LENG.	DIA.		CFM	S.P.	END TO END	ROW	QUANTITY	LOCATION
1	4824 ND-PSP-F	6' 0.00"	450 Deg.	1200	10"	11"		1200	-0.345"	960						430 SS Where Exposed			1 Light 1 Fan	Face Left

**HOOD INFORMATION**

HOOD NO.	TYPE	FILTER(S)		LIGHT(S)		WIRE GUARD	LOCATION	UTILITY CABINET(S)		FIRE SYSTEM	HOOD WEIGHT
		QTY.	HEIGHT	QTY.	LENGTH			TYPE	SIZE		
1	SS Baffle with Handles	2	16"	2	16"	NO					430 LBS.

**PERFORATED SUPPLY PLENUM(S)**

HOOD NO.	POS.	LENGTH	WIDTH	HEIGHT	RISER(S)				
					WIDTH	LENG.	DIA.	S.P.	
1	Front	72.00"	12.00"	6.00"	8"	36"		960	0.109"

**HOOD OPTIONS**

HOOD NO.	OPTION
1	FIELD WRAPPER 18.00" High Front, Left, Right,
	BACKSPASH 80.00" High X 72.00" Long Vertical Panel 430 SS
	BACK STANDOFF 3" Wide

**FIRE SYSTEM INFORMATION**

FIRE SYSTEM NO.	TYPE	SIZE	FLOW POINTS	INSTALLATION	
				SYSTEM	LOCATION ON HOOD
1	Pyrochem	3.00	0	Wall Mount	N/A

**GAS VALVE(S)**

FIRE SYSTEM NO.	TYPE	SIZE	SUPPLIED BY
1	Mechanical	2.000"	Distributor



**FRANK PROVIDENCE HOGSHEAD ENGINEERING, PC**  
1902 KINGSRIDGE DRIVE DALTON, GEORGIA 706-428-9938

<b>CAPTIVE-AIRE</b>	JOB	Senior Living Center
	LOCATION	Oconee County, GA
	DATE	04/25/2005
	DWG #	Oconee0425_1W
	REV.	1.00
	JOB #	0
	DRAWN BY	WAH
	SCALE	3/4"

REV. NO.	DESCRIPTION	DATE

PROJECT MANAGER EGC	DRAWING SCALE 1/8"=1'
DESIGNED BY STAFF	PROJECT DATE 09-09-04
APPROVED BY EGC/RFO	PROJECT NUMBER 40332.00.AT
FILE NAME SC-KH-1.DWG	PLT DATE 07-23-05

**JKH Architects**  
P.O. Box 1679  
121 West Crawford Street  
Dalton, Georgia 30722  
(706) 278-4242

**DICKSON**  
community infrastructure consultants  
2120 POWERS FERRY RD., SUITE 100  
ATLANTA, GA 30339  
(770) 955-5874  
Office Locations: North Carolina, South Carolina, Georgia, Florida

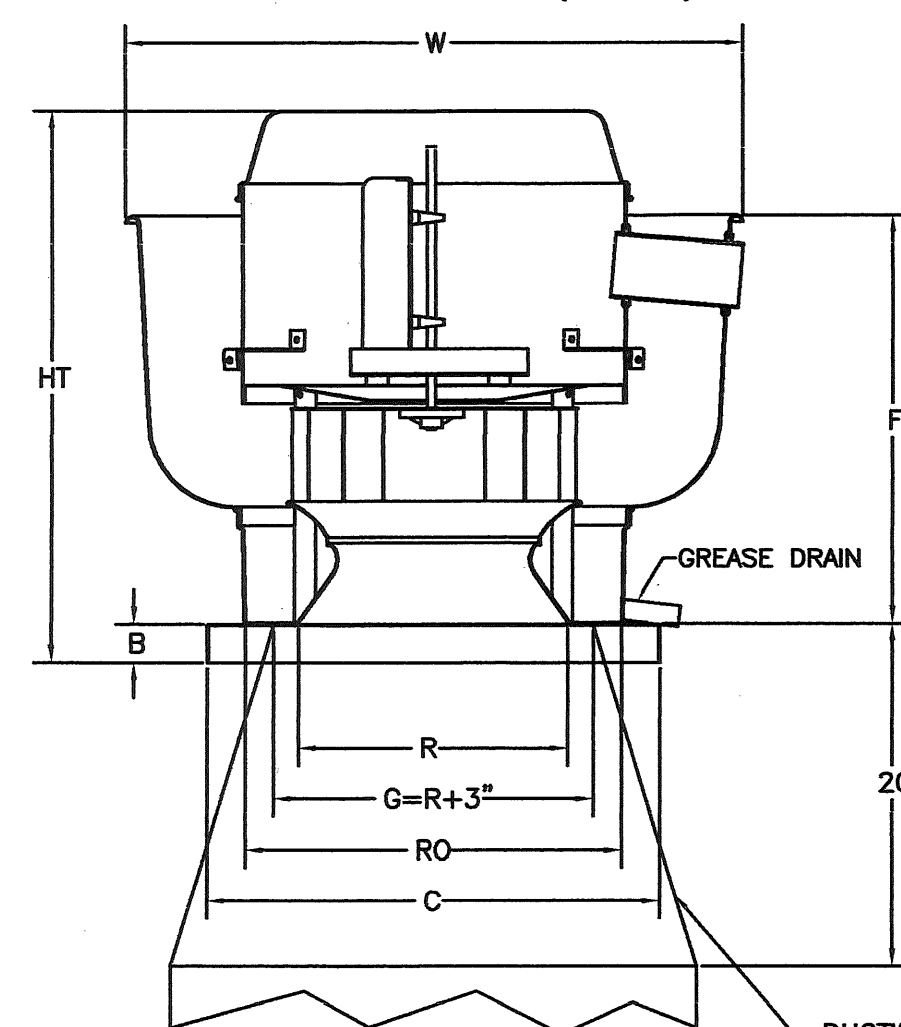
NEW PARK FOR THE OCONEE COUNTY PARKS AND RECREATION OCONEE COUNTY, GEORGIA

SENIOR CENTER KITCHEN HOOD DETAILS

SC KH-1

CAPTIVE AIR, INC. ALL RIGHTS RESERVED. REPRODUCTION OR USE OF THE CONTENTS OF THIS DOCUMENT WITHOUT THE WRITTEN PERMISSION OF CAPTIVE AIR, INC. IS PROHIBITED. THIS DOCUMENT IS THE PROPERTY OF CAPTIVE AIR, INC. AND SHALL BE RETURNED TO THE COMPANY UPON REQUEST.

**NCAHPFA SERIES UPBLAST EXHAUST FANS (UL762)**



**FEATURES:**

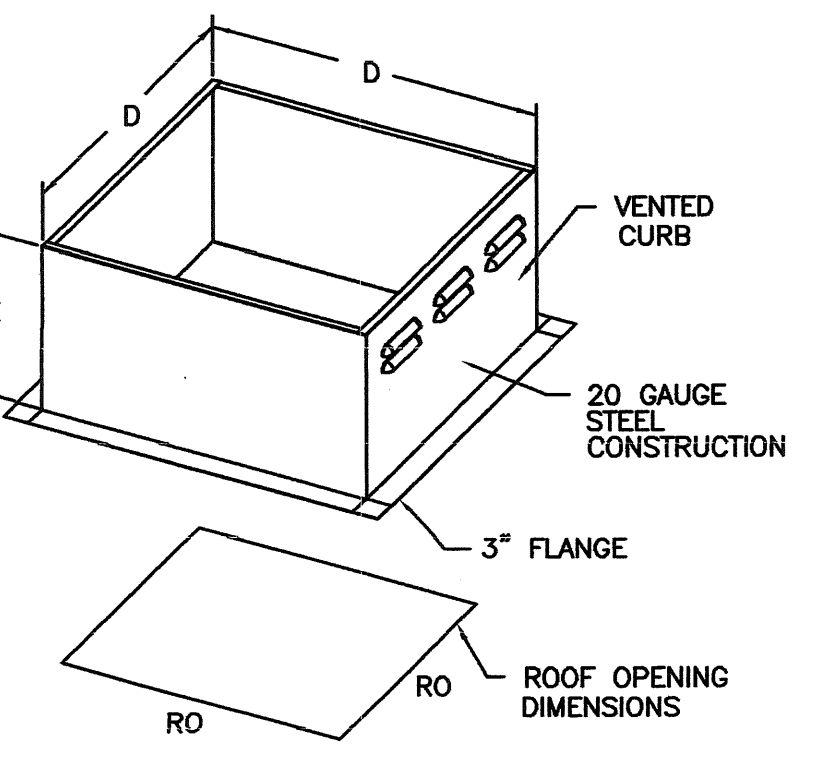
- ROOF MOUNTED FANS
- RESTAURANT MODEL
- UL762
- AMCA SOUND AND AIR CERTIFIED
- WIRING FROM MOTOR TO DISCONNECT SWITCH
- WEATHERPROOF DISCONNECT
- HIGH HEAT OPERATION 300°F (149°C)
- GREASE CLASSIFICATION TESTING

**NORMAL TEMPERATURE TEST**  
 EXHAUST FAN MUST OPERATE CONTINUOUSLY WHILE EXHAUSTING AIR AT 300°F (149°C) UNTIL ALL FAN PARTS HAVE REACHED THERMAL EQUILIBRIUM, AND WITHOUT ANY DETERIORATING EFFECTS TO THE FAN WHICH WOULD CAUSE UNSAFE OPERATION.

**ABNORMAL FLARE-UP TEST**  
 EXHAUST FAN MUST OPERATE CONTINUOUSLY WHILE EXHAUSTING BURNING GREASE VAPORS AT 800°F (316°C) FOR A PERIOD OF 15 MINUTES WITHOUT THE FAN BECOMING DAMAGED TO ANY EXTENT THAT COULD CAUSE AN UNSAFE CONDITION.

**OPTIONS:**

- GREASE BOX
- HINGED FAN
- PITCHED CURB
- INSULATED CURB



PITCHED CURBS ARE AVAILABLE FOR PITCHED ROOFS.

SPECIFY PITCH:  
 EXAMPLE: 7/12 PITCH = 30° SLOPE

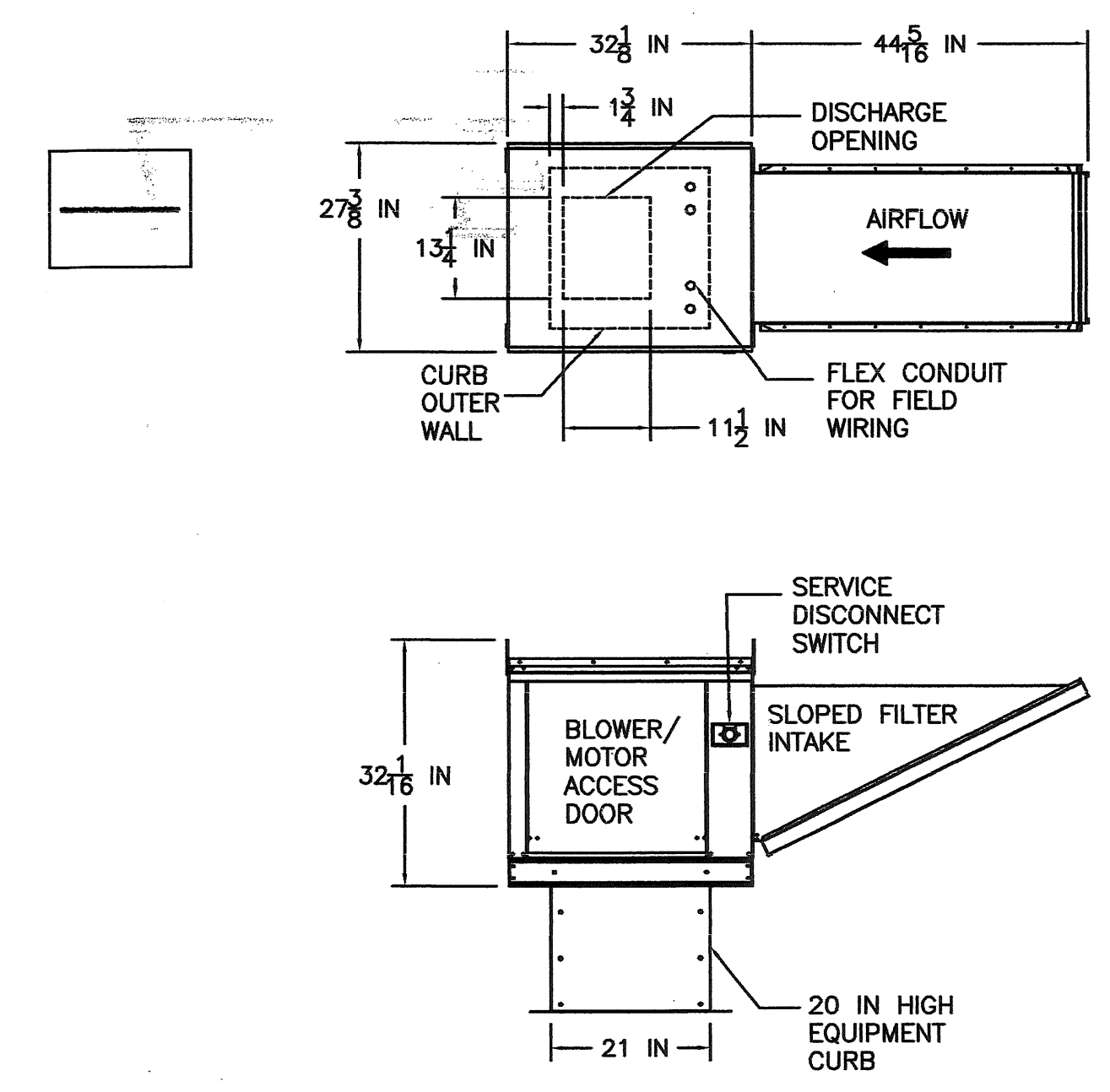
**CURB DIMENSIONAL DATA**

FAN MODEL	D	E
NCA14HPFA	23	20

**NCAHPFA BELT DRIVE CENTRIFUGAL UP-BLAST EXHAUST FANS DIMENSIONAL DATA**

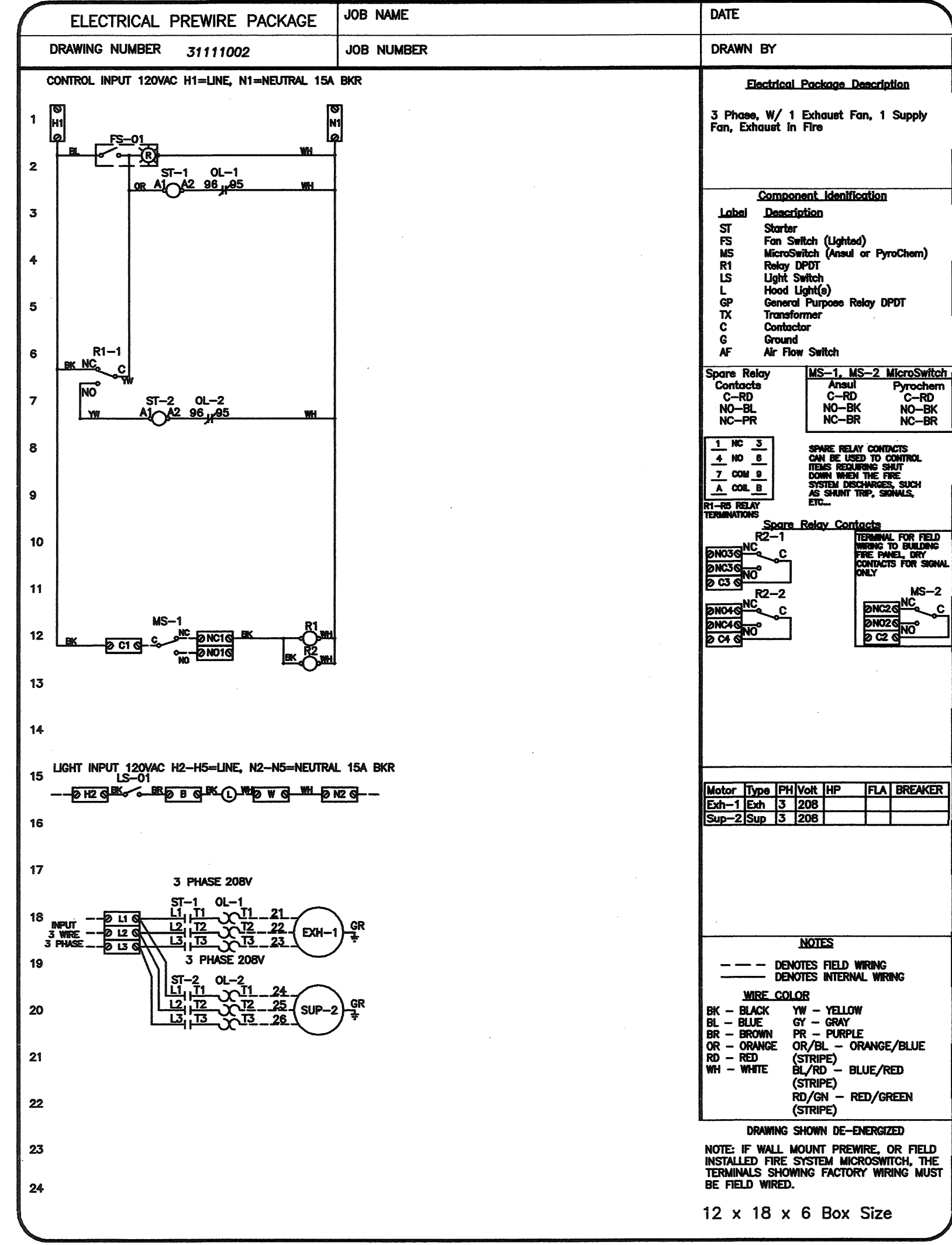
FAN MODEL	HT	W	B	C	F	R	RO	WEIGHT LB
NCA14HPFA	30 1/2	33 3/4	2	24 3/4	23	14 7/8	20	140

**A1-G10 -- DOWN DISCHARGE MAKE UP AIR WITH SLOPED FILTER INTAKE**



- NOTES:**
- 1) ALL DIMENSIONS ARE NOMINAL AND GIVEN IN INCHES.
  - 2) RECOMMENDED DISCHARGE DUCT SIZE = 12 IN X 14 IN.
  - 3) ROOF OPENING 2" SMALLER THEN CURB DIMENSION.

UNIT INFORMATION			
FILTER SIZE	BURNER SIZE	BLOWER SIZE	WEIGHT (lbs)
(3) 16INX20IN	N/A	10 IN	200



**Electrical Package Description**

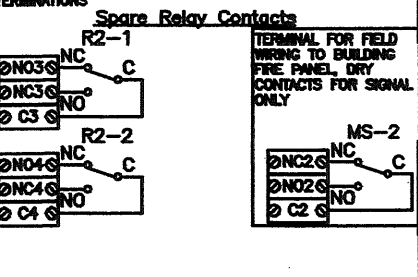
3 Phase, W/ 1 Exhaust Fan, 1 Supply Fan, Exhaust in Fire

**Component Identification**

Label	Description
ST	Starter
FS	Fan Switch (Lighted)
MS	MicroSwitch (Assul or PyroChem)
R1	Relay DPDT
LS	Light Switch
L	Hood Light(s)
GP	General Purpose Relay DPDT
TX	Transformer
C	Control
G	Ground
AF	Air Flow Switch

**Spares Relay Contacts**

MS-1, MS-2 MicroSwitch	Assul	PyroChem
C-RO	C-RO	C-RO
NO-BL	NO-BK	NO-BK
NC-PR	NC-BR	NC-BR



**Motor Type [Ph] Volt [HP] [FLA] BREAKER**

Exh-1	Exh-2	Sup-1	Sup-2
3 208	3 208	3 208	3 208

- NOTES**
- DENOTES FIELD WIRING
  - DENOTES INTERNAL WIRING
- WIRE COLORS**
- BK - BLACK
  - BL - BLUE
  - BR - BROWN
  - OR - ORANGE
  - RD - RED
  - WH - WHITE
  - YW - YELLOW
  - GR - GREEN
  - PR - PURPLE
  - OR/BL - ORANGE/BLUE
  - BL/WH - BLUE/WHITE
  - RD/WH - RED/WHITE
  - RD/GR - RED/GREEN

DRAWING SHOWN DE-ENERGIZED  
 NOTE: IF WALL MOUNT PREWIRE, OR FIELD INSTALLED FIRE SYSTEM MICROSWITCH, THE TERMINALS SHOWING FACTORY WIRING MUST BE FIELD WIRED.

**FAN INFORMATION**

FAN UNIT NO.	FAN UNIT MODEL #	EXHAUST FAN								SUPPLY FAN										
		MODEL	TAG	CFM	S.P.	RPM	H.P.	Ø	VOLT	FLA	BLOWER	HOUSING	TAG	CFM	S.P.	RPM	H.P.	Ø	VOLT	FLA
1	NCA14HPFA	NCA14HPFA		1200	-1.000"	1257	0.500	1	115	8.8										
2	A1-G10										G10	A1	960	0.500"	603	0.500	3	208	2.6	

**FAN OPTIONS**

FAN NO.	OPTION (Qty. - Descr.)
1	1 - Grease Box

**CURB ASSEMBLIES**

NO.	QTY.	ITEM	SIZE
1	# 1	Curb	23.000"W x 23.000"L x 20.000"H Vented Hinged Pitched
2	# 2	Curb	21.000"W x 21.000"L x 20.000"H Pitched

**ELECTRICAL PACKAGES**

NO.	TAG	PACKAGE #	LOCATION	SWITCHES		ROOFTOP STARTERS	OPTION	FANS CONTROLLED				
				LOCATION	QUANTITY			TYPE	Ø	H.P.	VOLT.	FLA
1		3111002	Wall Mount	Face Mount Left Side of Hood # 1	1 Light 1 Fan		Exhaust in Fire	Exhaust	1	0.500	115	8.8
								Supply	3	0.500	200	2.6



**FRANK PROVIDENCE HOGSHEAD ENGINEERING, PC**  
 1262 KINGSBRIDGE DRIVE  
 DALTON, GEORGIA  
 706-428-9938



<b>JOB</b>	Senior Living Center
<b>LOCATION</b>	Oconee County, GA
<b>DATE</b>	04/25/2005
<b>JOB #</b>	0
<b>DWG #</b>	Oconee0425_1W
<b>DRAWN BY</b>	WAH
<b>REV.</b>	1.00
<b>SCALE</b>	3/4"

REV. NO.	DESCRIPTION	DATE

<b>PROJECT MANAGER</b>	EDC
<b>DRAWING SCALE</b>	1/8"=1'
<b>PROJECT DATE</b>	09-08-04
<b>PROJECT NUMBER</b>	40332.00.AT
<b>APPROVED BY</b>	EDC/RFO
<b>FILE NAME</b>	PLD DATE
<b>SC-KH-2.DWG</b>	07-23-05

**JKH Architects**  
 P.O. Box 1679  
 121 West Crawford Street  
 Dalton, Georgia 30722  
 (706) 278-4242

**WK DICKSON**  
 community infrastructure consultants  
 2120 POWERS FERRY RD. SUITE 100  
 ATLANTA, GA 30339  
 (770) 955-5574  
 Office Locations: North Carolina, South Carolina, Georgia, Florida

**NEW PARK**  
 FOR THE  
**OCONEE COUNTY PARKS AND RECREATION**  
 OCONEE COUNTY, GEORGIA

**SENIOR CENTER**  
 KITCHEN HOOD DETAILS

SC  
 KH-2

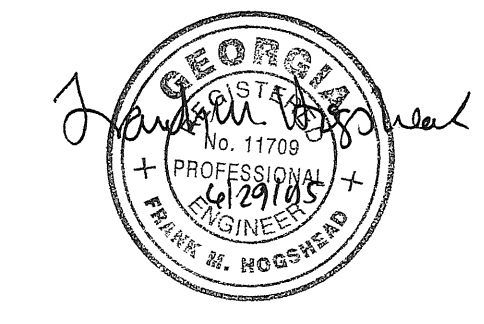
COPYRIGHT © JKH ARCHITECTS, LLC. ALL RIGHTS RESERVED. REPRODUCTION OR USE OF THE CONTENTS OF THIS DRAWING OR ANY PART THEREOF WITHOUT THE WRITTEN PERMISSION OF JKH ARCHITECTS, LLC IS STRICTLY PROHIBITED. ANY UNAUTHORIZED REPRODUCTION, DISTRIBUTION, OR USE OF THIS DOCUMENT IS PROHIBITED. JKH ARCHITECTS, LLC AND ITS DESIGNATED AGENTS SHALL BE CONSIDERED TO BE THE AUTHOR OF THIS DOCUMENT.



USES	
001	LOBBY
002	ADMINISTRATION / WORK AREA
003	ASSISTANT DIRECTOR'S OFFICE
004	RECORDS
005	DIRECTOR'S OFFICE
006	STORAGE
007	TOILET
008	STORAGE
009	HOUSE KEEPING
010	GALLERY
011	WOMEN'S RESTROOM
012	MEN'S RESTROOM
013	CRAFTS WORKSHOP
014	BILLARDS ROOM
015	STORAGE
016	COMMUNITY ROOM
017	DINING AREA
018	KITCHEN
019	OFFICE
020	ELECTRICAL

SYMBOL LEGEND :	
	SMOKE DETECTOR
	HEAT DETECTOR
	ADDRESSABLE SUPERVISORY DEVICE CONNECTED TO RANGE HOOD
	MANUAL PULL STATION
	SPEAKER/AUDIO NOTIFICATION DEVICE
	75CD VISIBLE NOTIFICATION DEVICE 80" AFF
	75SD VISIBLE/SPEAKER NOTIFICATION DEVICE 80" AFF
	FIRE ALARM REMOTE ANNUNCIATOR PANEL
	FIRE ALARM CONTROL PANEL

FIRE PROTECTION PLAN  
 1/8" = 1'-0"



**FRANK PROVIDENCE HOGSHEAD ENGINEERING, PC**  
 1902 KINGSRIDGE DRIVE  
 DALTON, GEORGIA  
 706-428-9938

REV. NO.	DESCRIPTION	DATE

PROJECT MANAGER: ESC  
 DRAWN BY: STWF  
 APPROVED BY: ESC/RFD  
 FILE NAME: SC-A1-FP1.DWG  
 DWMING SCALE: 1/8"=1'  
 PROJECT DATE: 09-08-04  
 PROJECT NUMBER: 40332.00.AT  
 PLOT DATE: 07-23-05

**JKH Architects**  
 P.O. Box 1679  
 121 West Crawford Street  
 Dalton, Georgia 30722  
 (706) 278-4242

**WK DICKSON**  
 community infrastructure consultants  
 2120 POWERS FERRY RD. SUITE 100  
 ATLANTA, GA 30339  
 (770) 955-5574  
 Office Locations:  
 North Carolina  
 South Carolina  
 Georgia  
 Florida

NEW PARK  
 FOR THE  
 OCONEE COUNTY PARKS AND RECREATION  
 OCONEE COUNTY, GEORGIA

SENIOR CENTER  
 FIRE PROTECTION PLAN

SC  
 FP-1