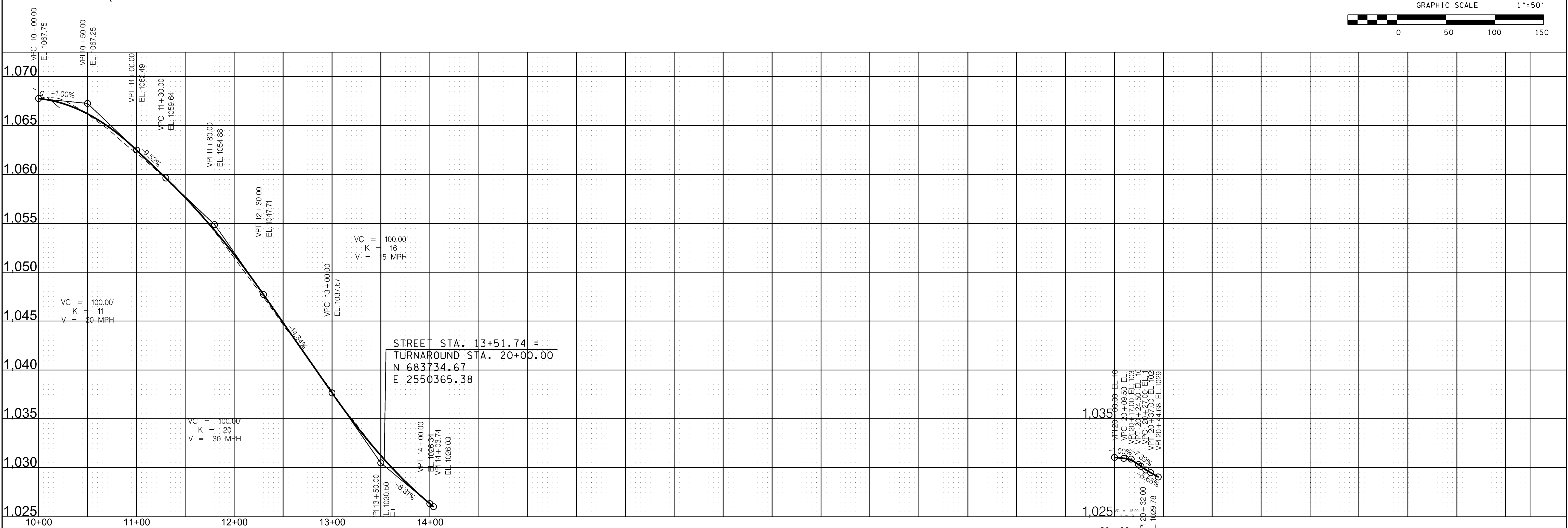
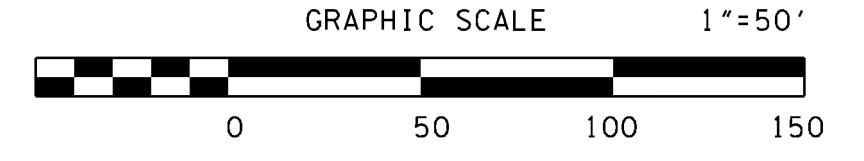
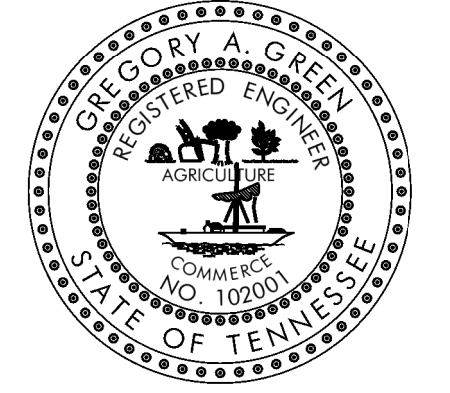
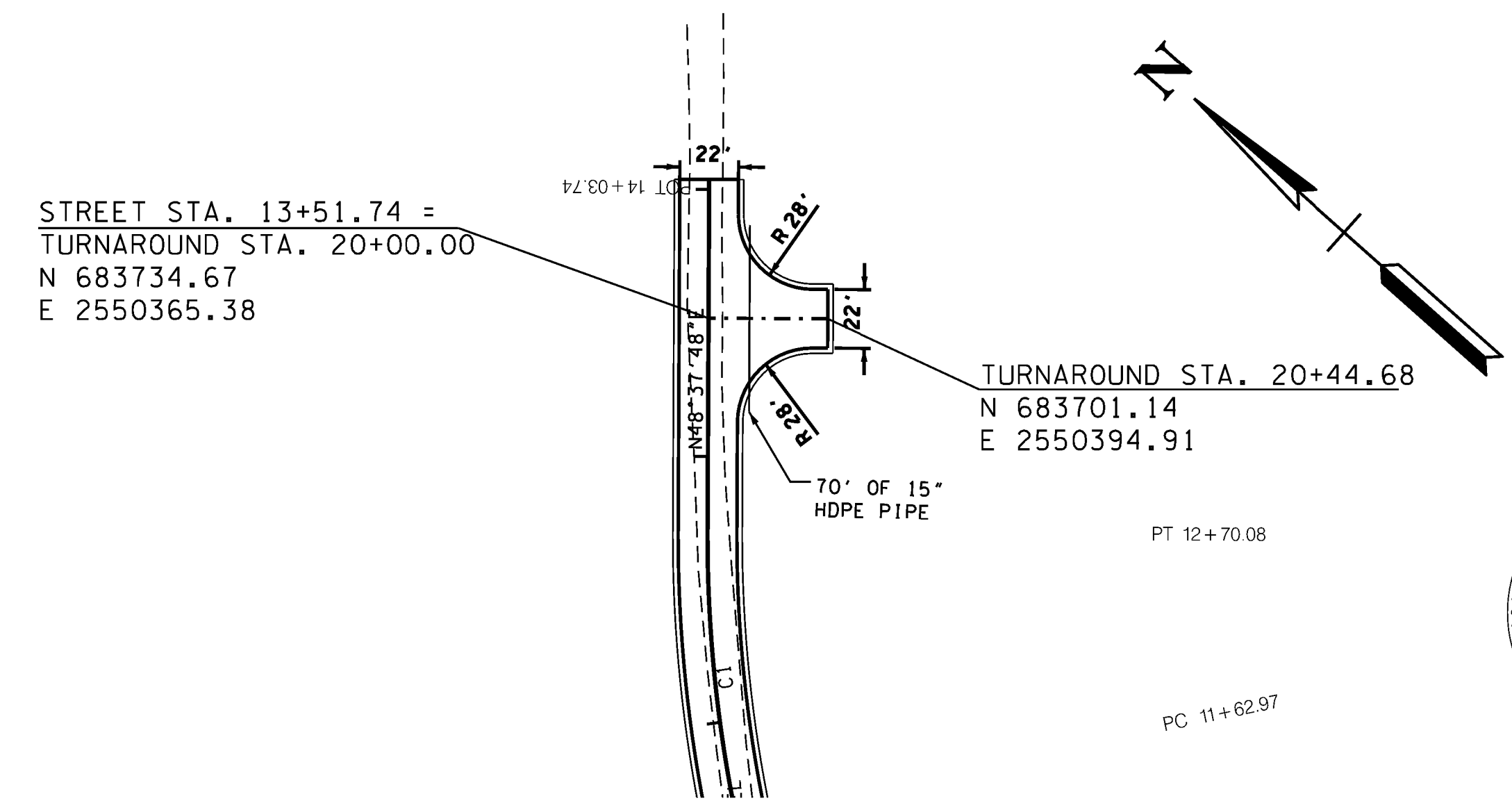
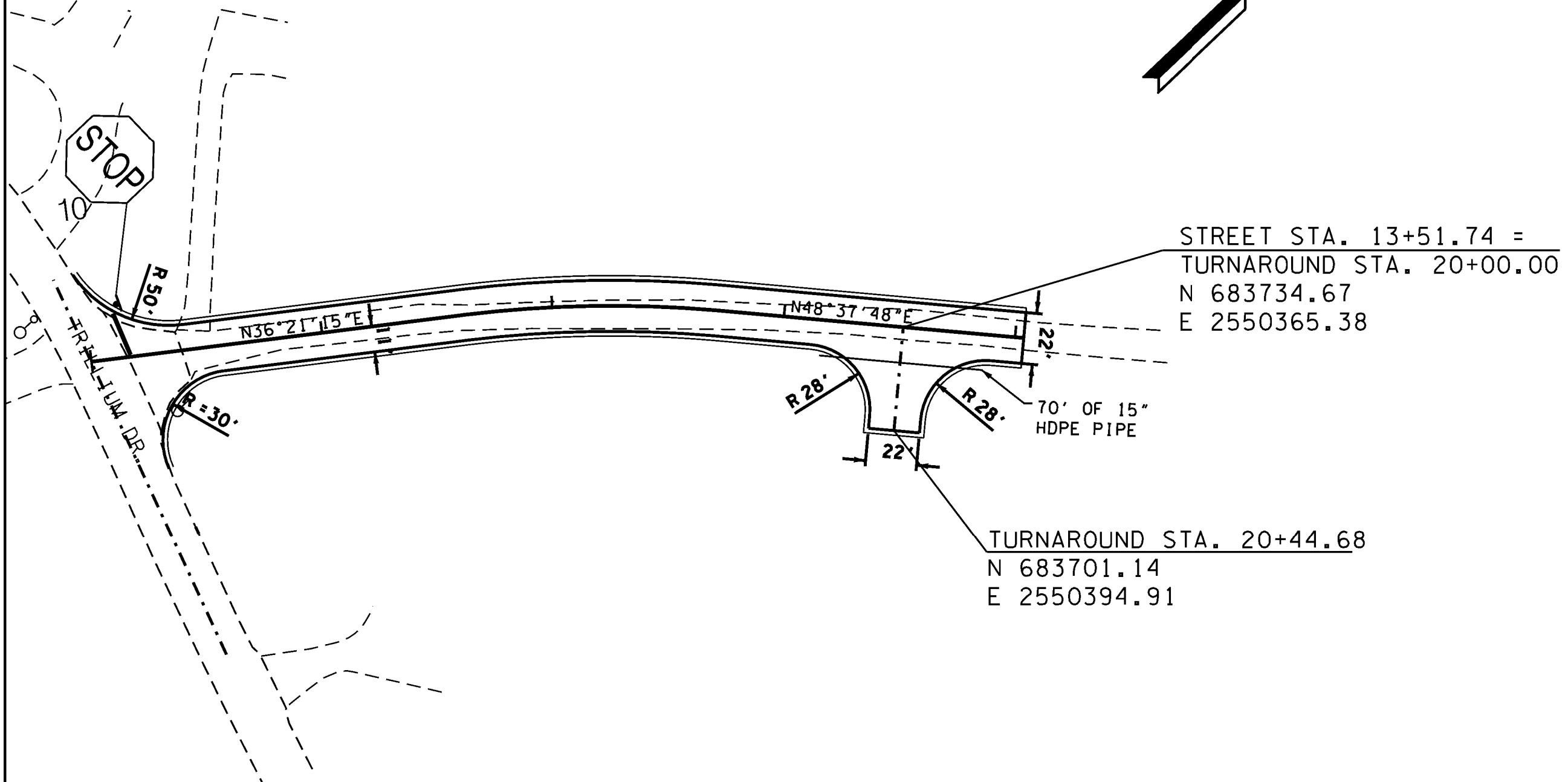
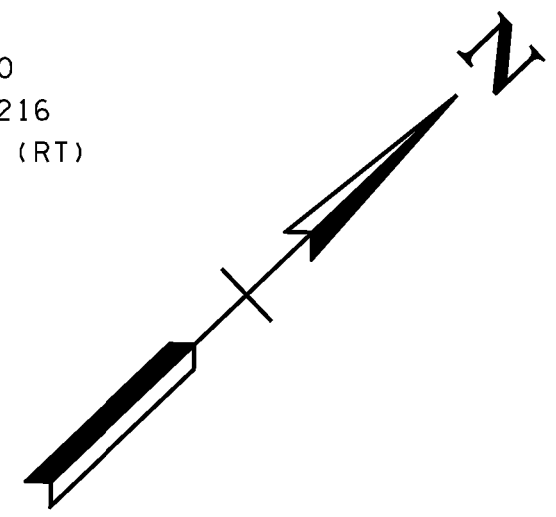


CURVE C1  
 PI 12+16.72  
 N 683,645.0070  
 E 2,550,263.9216  
 Δ 11° 46' 56" (RT)  
 D 11° 00' 00"  
 R 520.87  
 L 107.11  
 T 53.74



NO.	DATE	DESCRIPTION	BY	CKD.
REVISIONS				

**ROBERT G. CAMPBELL & ASSOC., L.P.**  
 CONSULTING ENGINEERS  
 KNOXVILLE, TENNESSEE

**PROPOSED STREET OFF  
 OF TRILLIUM DRIVE**

**PROPOSED LAYOUT  
 PLAN AND PROFILE**

DESIGNED BY <b>GG</b>	CHECKED BY <b>RGC</b>	SCALE <b>1" = 5' HORIZ. 1" = 50' VERT.</b>	SHEET NO. <b>9</b>
DRAWN BY <b>NGG</b>	DATE <b>JUNE 2020</b>	FILE NO. <b>20701</b>	OF <b>14</b> SHEETS