



St. Johns River Water Management District

Michael A. Register, P.E., Executive Director

525 Community College Parkway S.E. • Palm Bay, FL 32909 • 321-984-4940 • www.sjrwmd.com

DATE: October 9, 2023

TO: Prospective Respondents

FROM: Amy Lucey, Procurement Specialist

SUBJECT: Addendum #1 to quote request, # 39289, Burrell & Apopka Locks Manatee Detection System Installation

As a result of inquiries, the following clarifications/changes are provided for your information. Please make all appropriate changes to your bid documents. Note: changes are reflected with original language shown with strike-through and new language is underlined.

Additions:

1. Site Locations and Installation Schematic

Attachments:

Figure 1 – Burrell Lock Site Location

Figure 2 – Apopka Lock Site Location

Figure 3 – Angle View 1 Burrell Lock Installation Schematic

Figure 4 – Angle view 2 Burrell Lock Installation Schematic.

Figure 5 – Angle View Apopka Lock Installation Schematic

NOTE: The Quote Due Date remains 3:00 p.m., **Friday, October 27, 2023.**

Please acknowledge receipt of this Addendum on EXHIBIT 2 - COST SCHEDULE FORM provided in the quote package.

If you have any questions, please e-mail me at alucey@sjrwmd.com.

FIGURE 1 – BURRELL LOCK SITE LOCATION

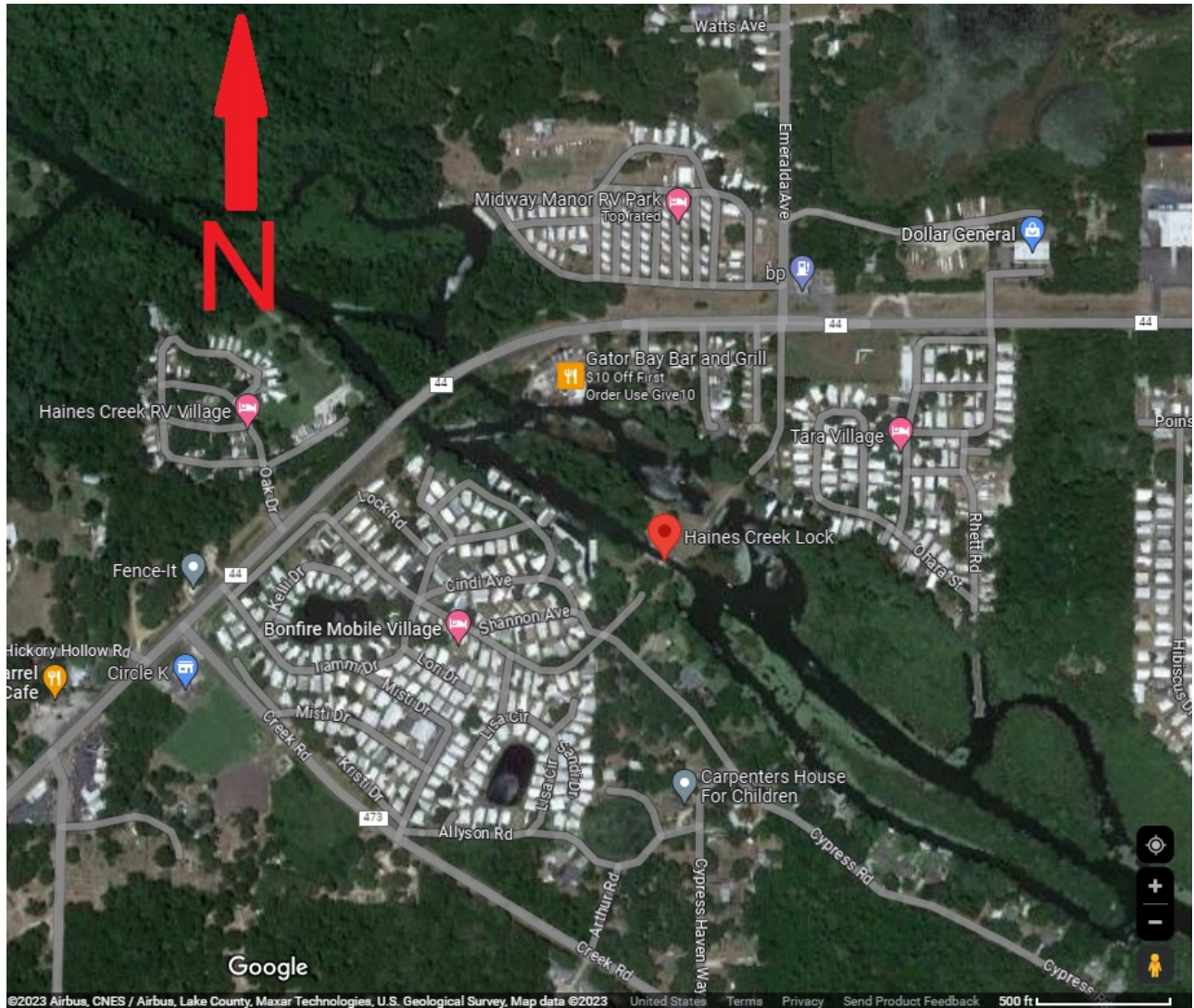
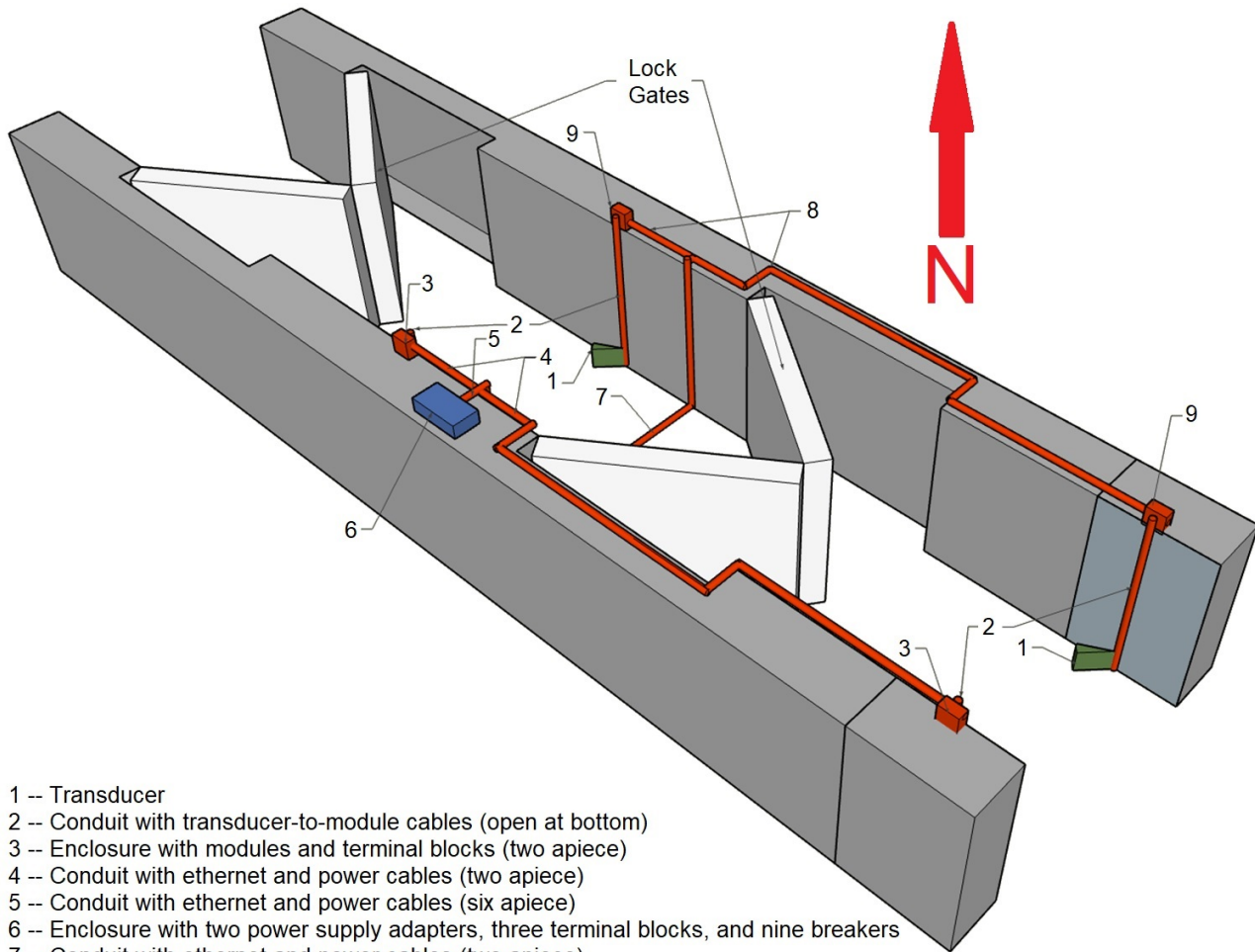


FIGURE 2 – APOPKA LOCK SITE LOCATION

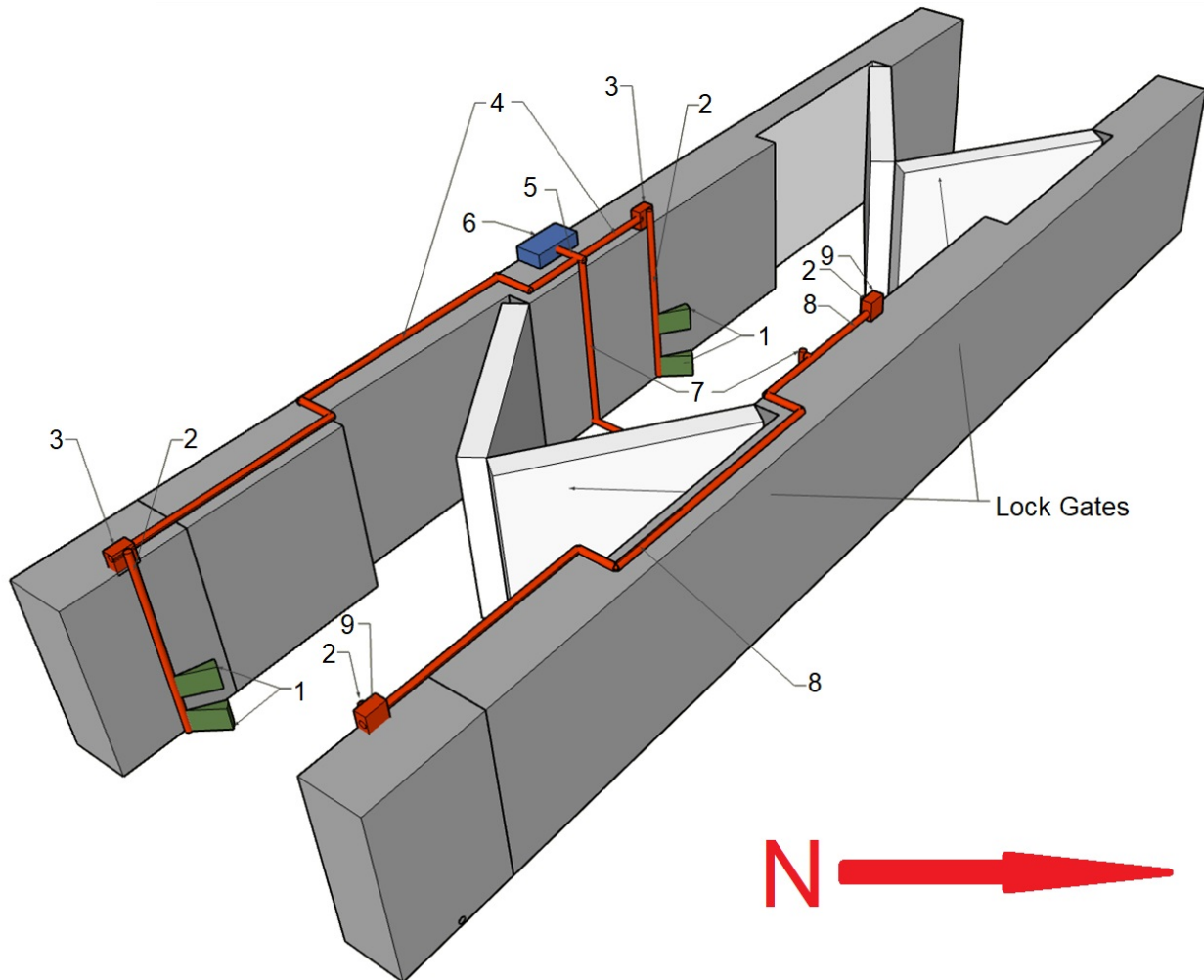


**FIGURE 3 – ANGLE VIEW 1
BURRELL LOCK
INSTALLATION SCHEMATIC**



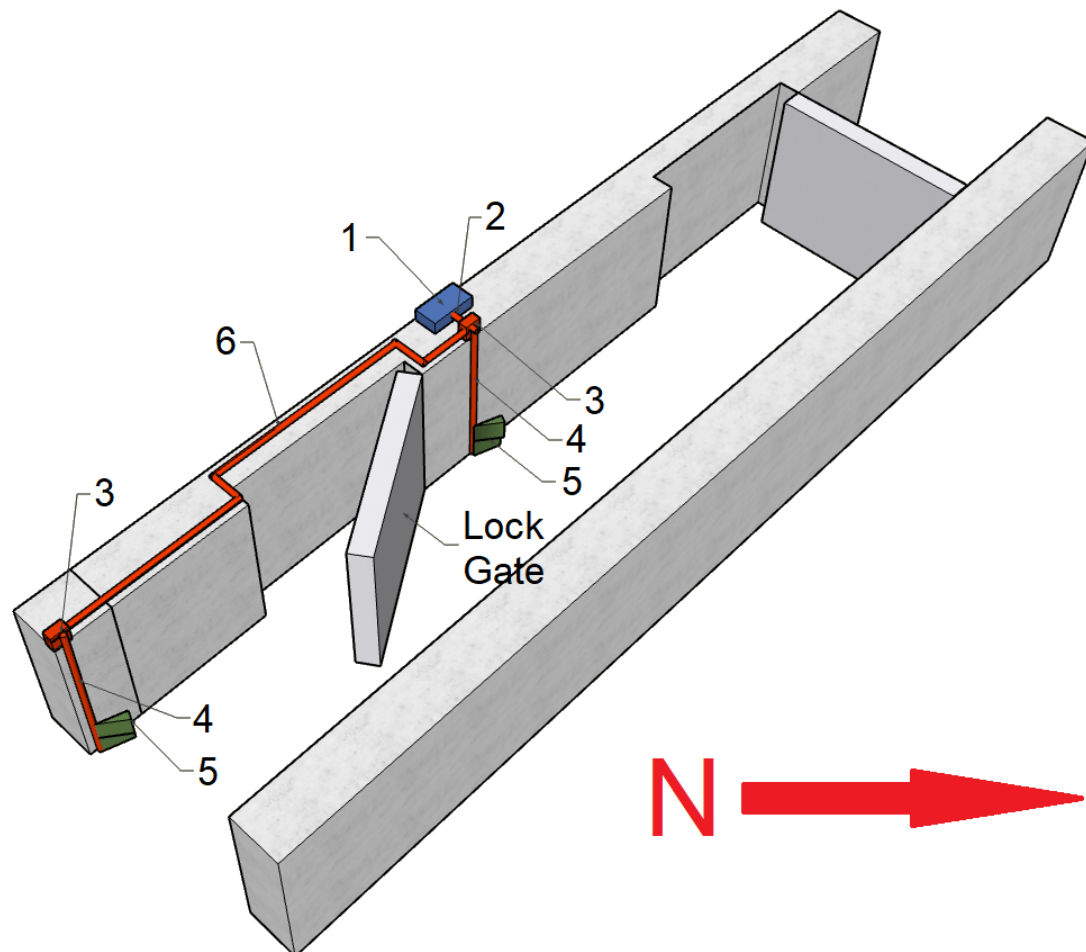
- 1 -- Transducer
- 2 -- Conduit with transducer-to-module cables (open at bottom)
- 3 -- Enclosure with modules and terminal blocks (two apiece)
- 4 -- Conduit with ethernet and power cables (two apiece)
- 5 -- Conduit with ethernet and power cables (six apiece)
- 6 -- Enclosure with two power supply adapters, three terminal blocks, and nine breakers
- 7 -- Conduit with ethernet and power cables (two apiece)
- 8 -- Conduit with ethernet and power cables (one apiece)
- 9 -- Enclosure with module and terminal block (one apiece)

**FIGURE 4 – ANGLE VIEW 2
BURRELL LOCK
INSTALLATION SCHEMATIC**



- 1 -- Transducer
- 2 -- Conduit with transducer-to-module cables (open at bottom)
- 3 -- Enclosure with modules and terminal blocks (two apiece)
- 4 -- Conduit with ethernet and power cables (two apiece)
- 5 -- Conduit with ethernet and power cables (six apiece)
- 6 -- Enclosure with two power supply adapters, three terminal blocks, and nine breakers
- 7 -- Conduit with ethernet and power cables (two apiece)
- 8 -- Conduit with ethernet and power cables (one apiece)
- 9 -- Enclosure with module and terminal block (one apiece)

**FIGURE 5 – ANGLE VIEW
APOPKA LOCK
INSTALLATION SCHEMATIC**



- 1 -- Enclosure with two power supply adapters, one terminal block and three breakers
- 2 -- Conduit with ethernet and power cables (four and two, respectively)
- 3 -- Enclosure with modules and terminal block (two and one, respectively)
- 4 -- Conduit with transducer-to-module cables (open at bottom)
- 5 -- Transducer
- 6 -- Conduit with ethernet and power cables (two and one, respectively)