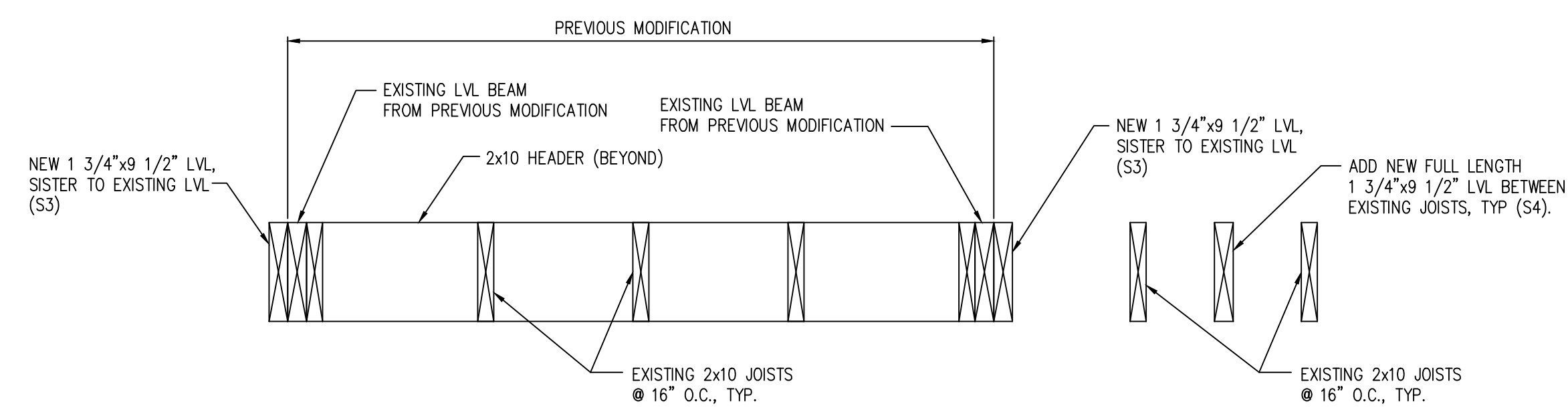


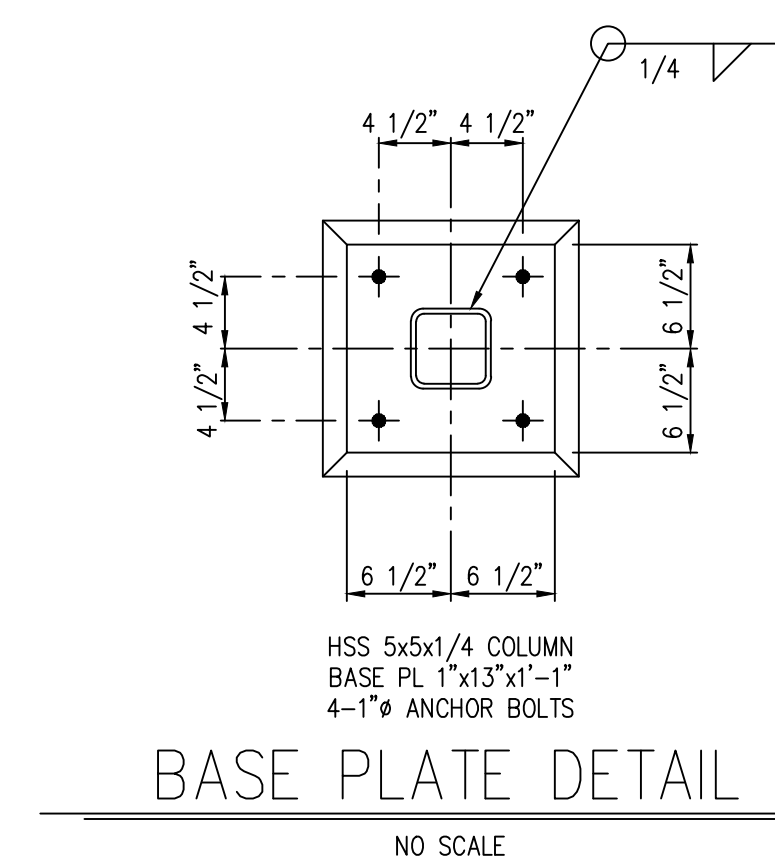
S2-A

SCALE 1/2"=1'-0"



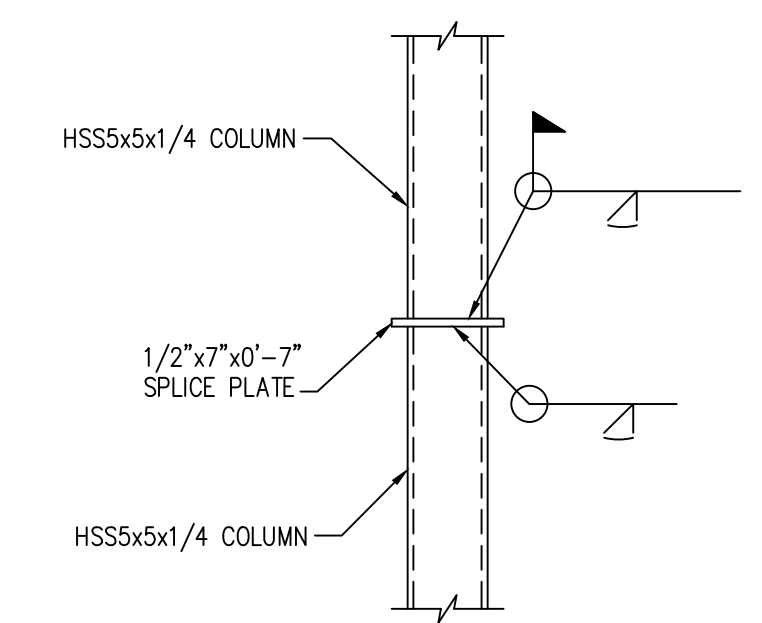
S2-D

SCALE 1"=1'-0"



BASE PLATE DETAIL

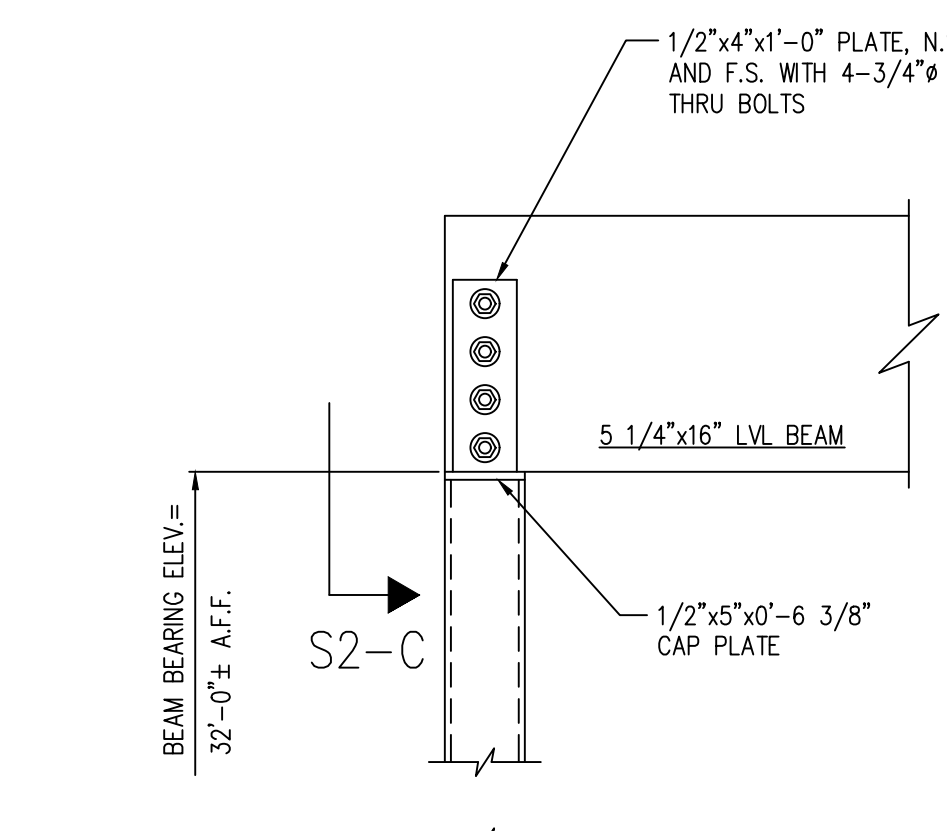
NO SCALE



COLUMN SPLICE DETAIL

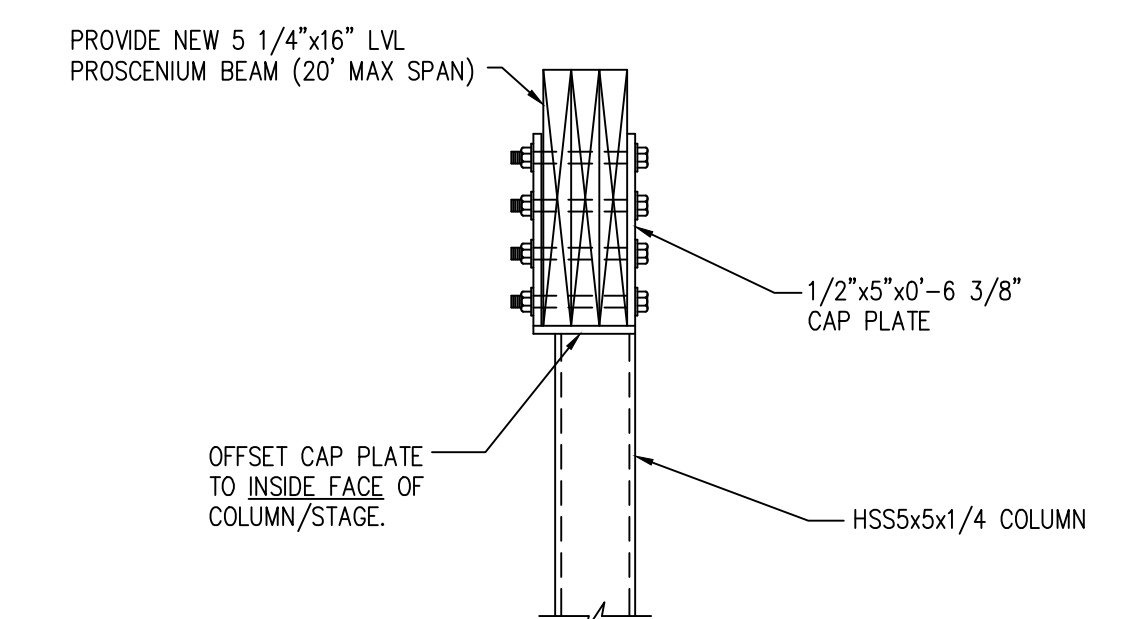
NO SCALE

DETAIL MAY BE USED AS REQUIRED TO BRING COLUMN SECTIONS INTO BUILDING



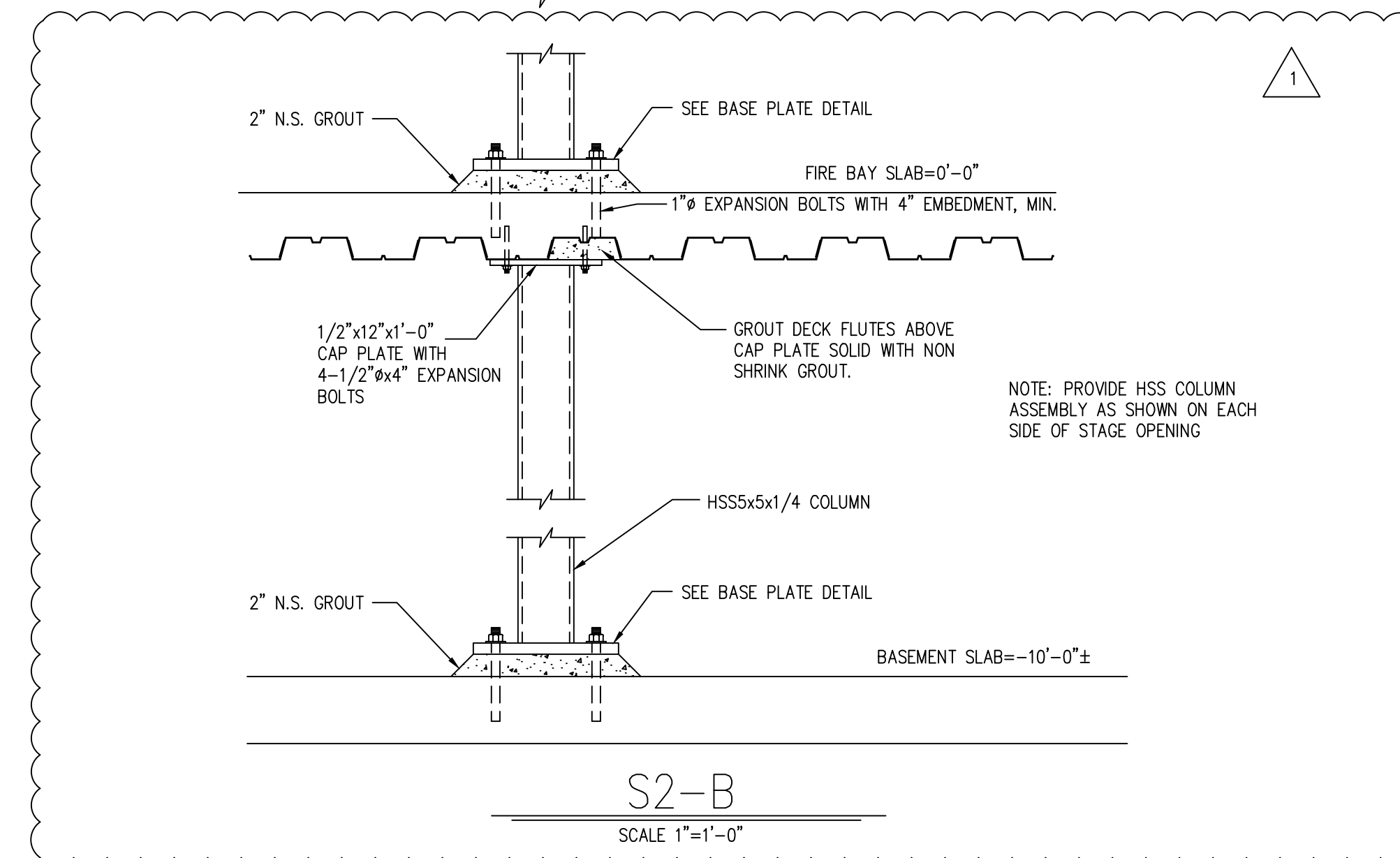
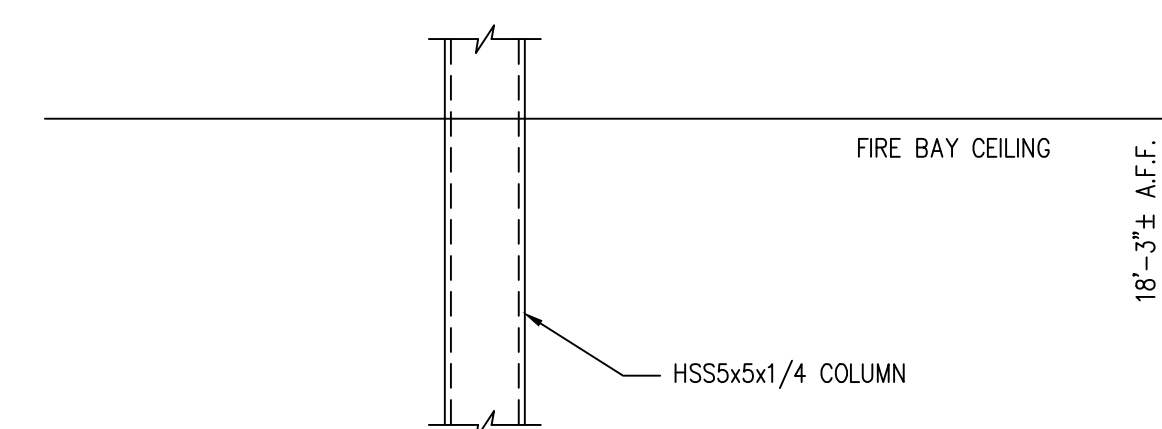
BEAM BEARING ELEV. = 32'-0"± A.F.F.

S2-C



S2-C

SCALE 1"=1'-0"



S2-B

SCALE 1"=1'-0"

STRUCTURAL DESIGN BY
PI-TECH, INC.



1.12.2024
Pi-Tech, Inc. COA#PEF003000
COA Expiration: 6.30.2024

PI-TECH, INC.
115 FOREST HILL RD. - MACON, GEORGIA (478)743-5600
REPAIRS TO OLD GRIFFIN CITY HALL
201 E SOLOMON ST, GRIFFIN, GA 30223
CITY OF GRIFFIN

REVISIONS	
1	ADDED COLUMNS TO BASEMENT LEVEL -2/29/2024
DRAWN BY: MNE	
CHECKED BY: MNE	
DATE: 1-12-2024	
SHEET NO.	S2
SHEET 2 OF 2	