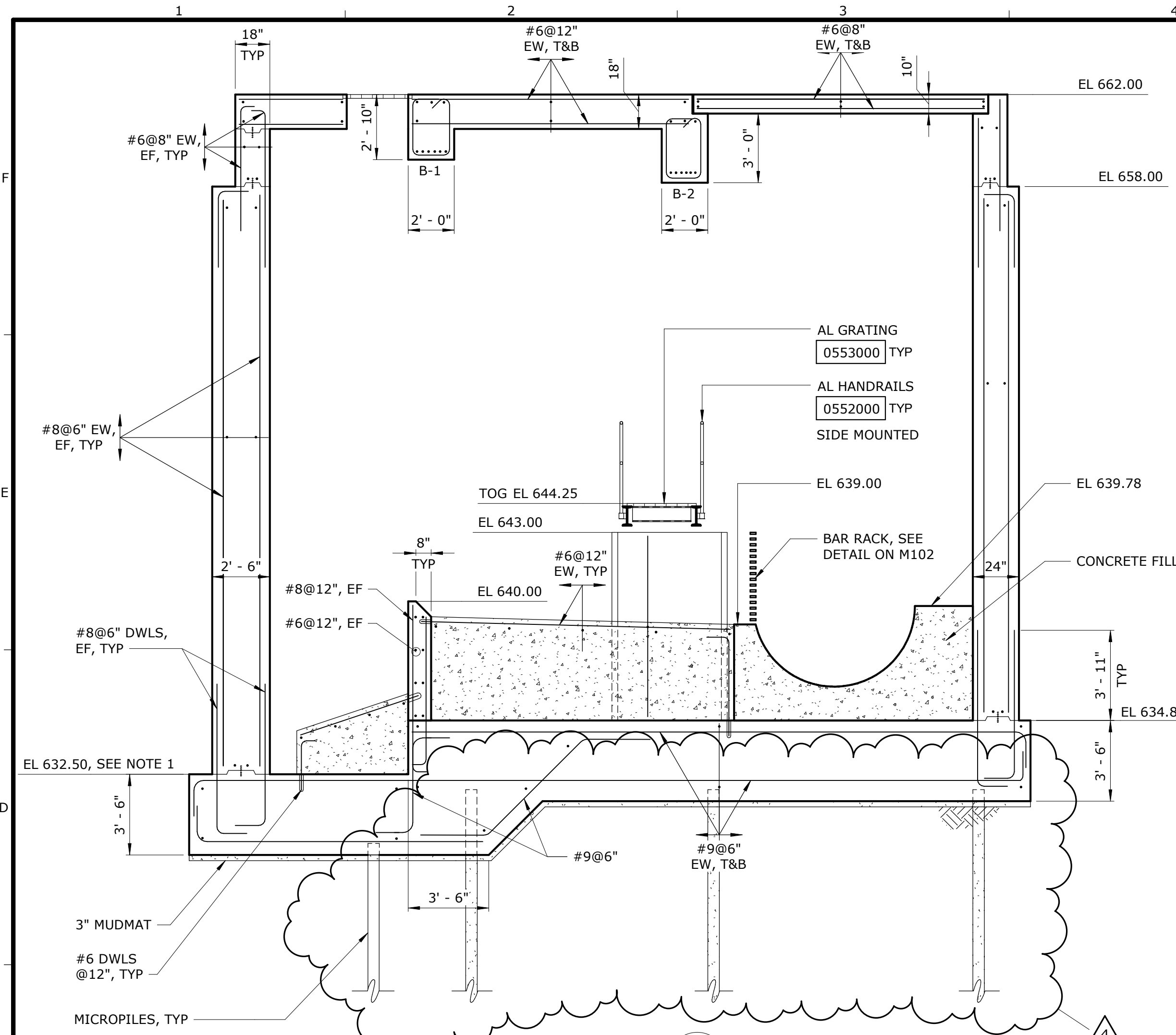
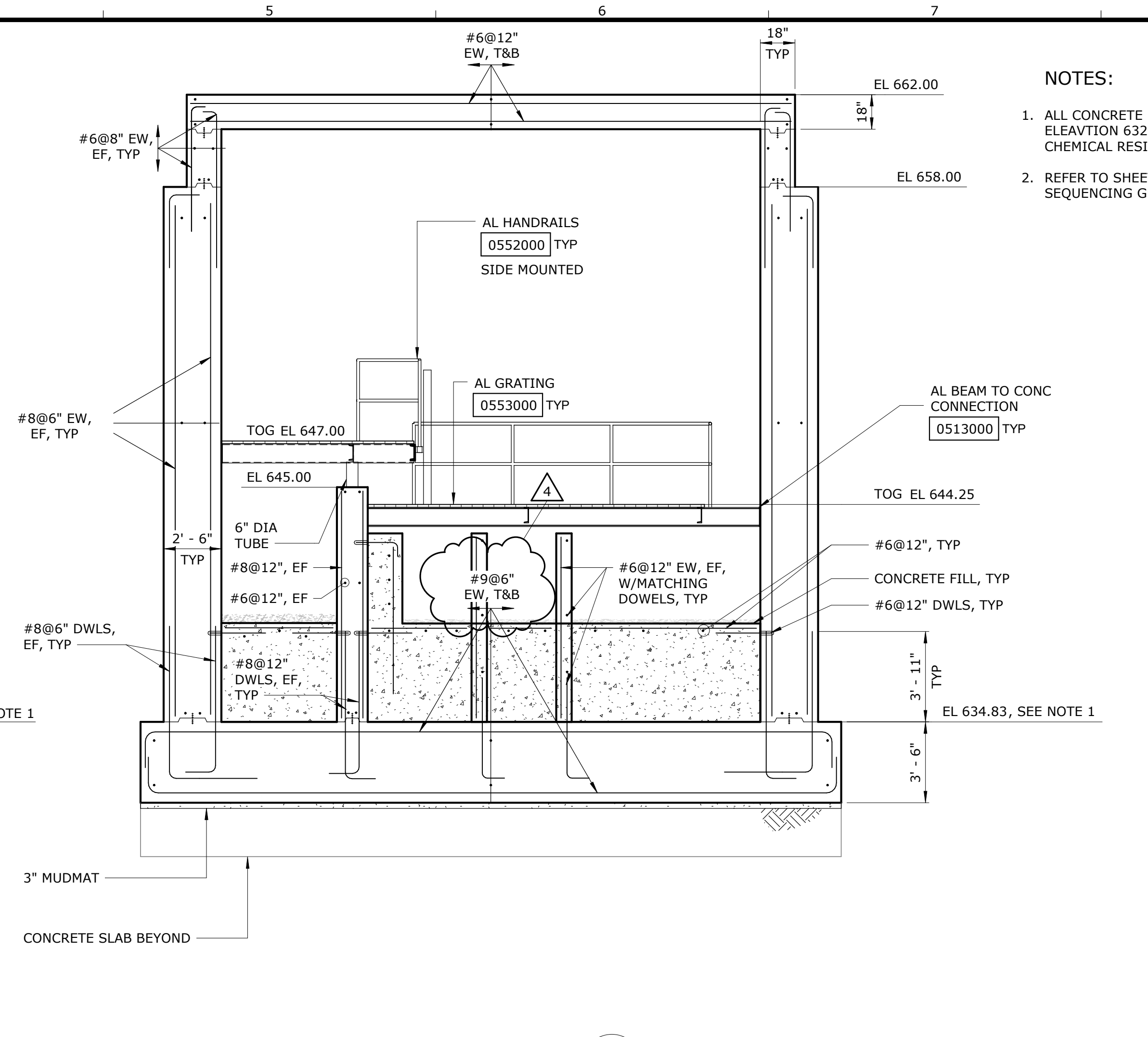


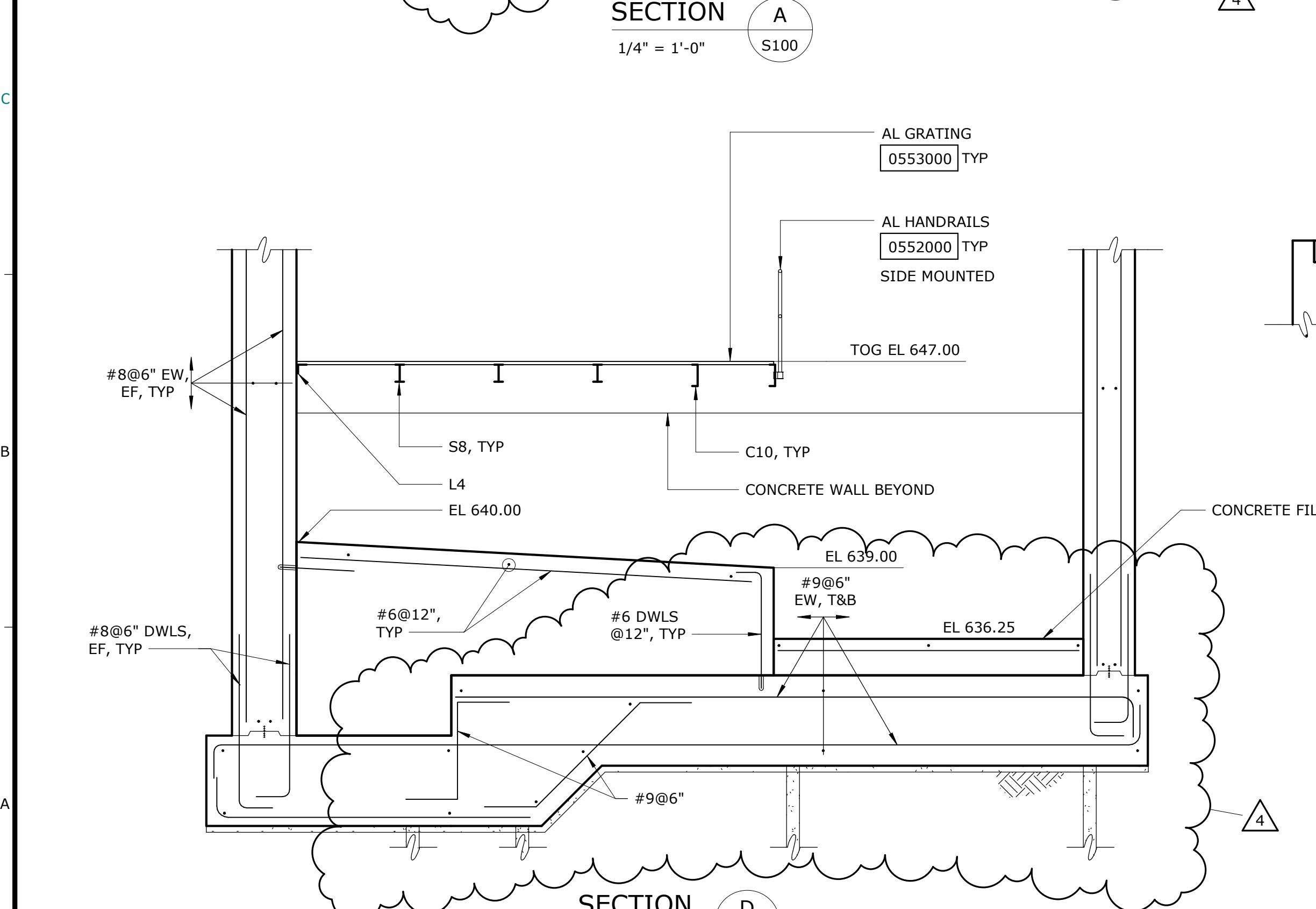
C:\Users\zgoodwin\OneDrive - Hazen and Sawyer\50037-007-100-DVC-S_2goodwin.rvt
12/4/2018 4:59:09 PM



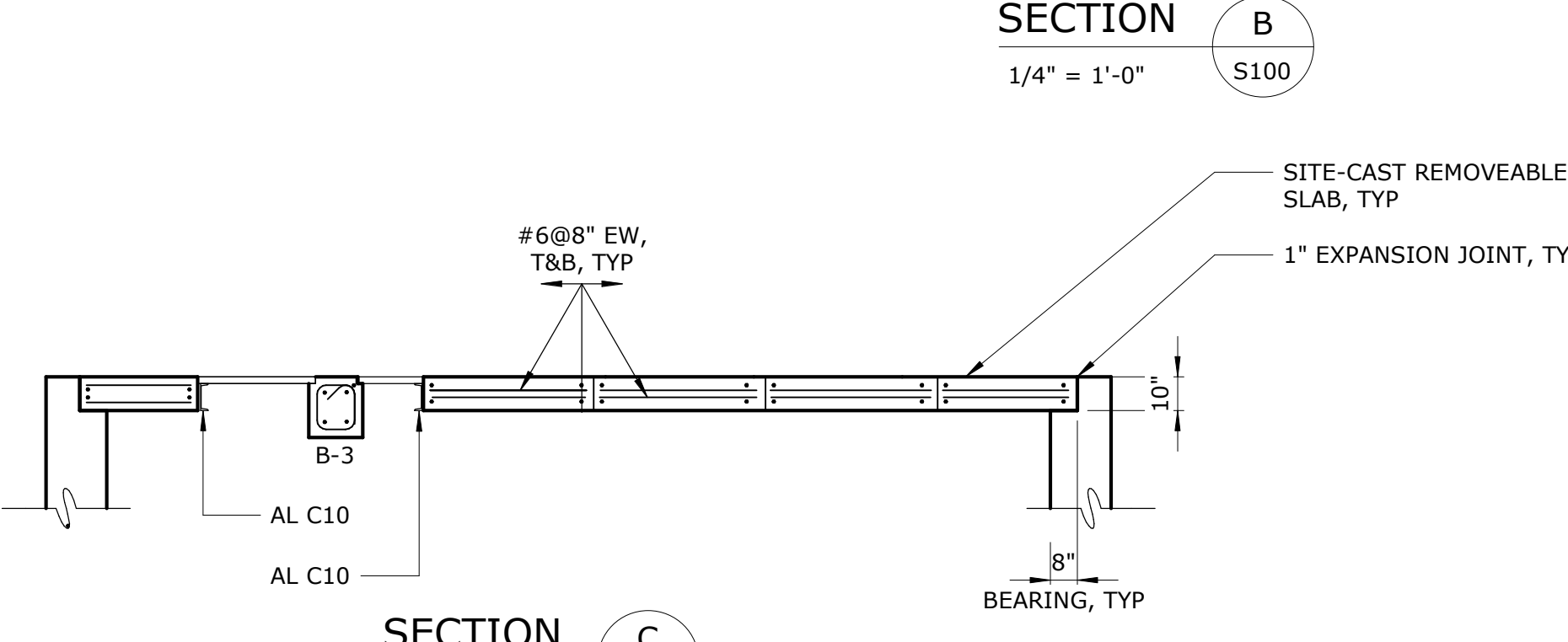
SECTION A
1/4" = 1'-0"
S100



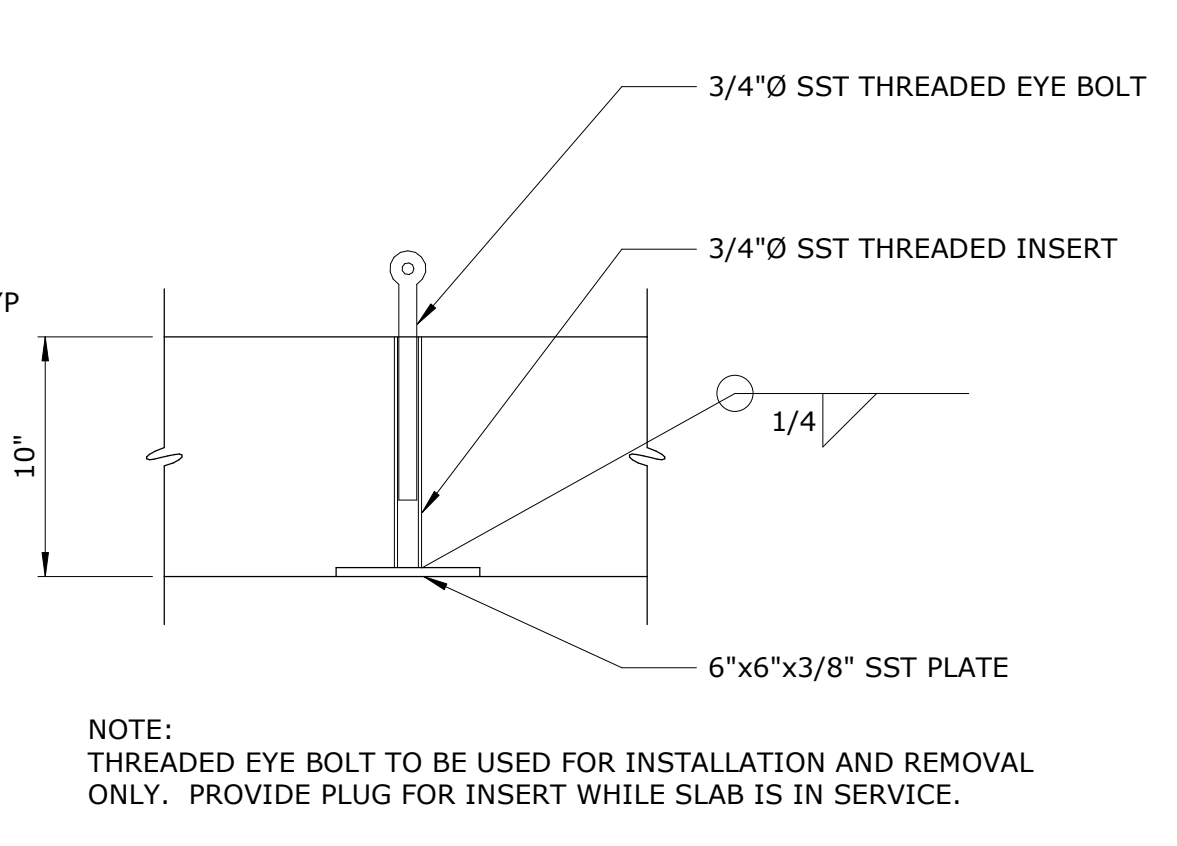
SECTION B
1/4" = 1'-0"
S100



SECTION D
1/4" = 1'-0"
S100



SECTION C
1/4" = 1'-0"
S101

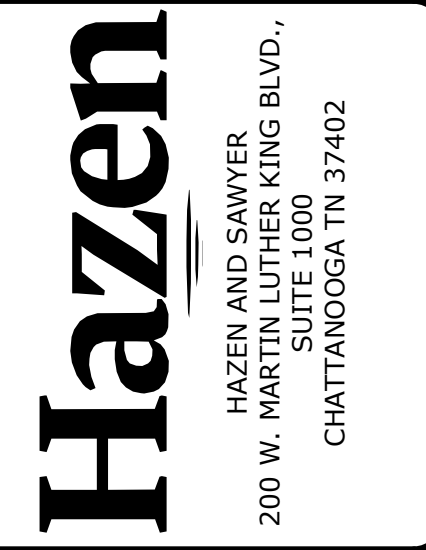


DETAIL 1
1 1/2" = 1'-0"
S102

MARK	SPAN TYPE	SIZE		TOP ELEV	MAIN REINF			ADD REINF			S1 STIRRUPS		S2 STIRRUPS		REMARKS
		W"	D"		TOP	BOT	A	B	C	SIZE	SPACING	SIZE	SPACING		
B-1	SIMPLE	24	34	662.00	3-#9	6-#9	-	-	-	-	#4	12"	#4	12"	
B-2	SIMPLE	24	36	661.17	3-#9	6-#9	-	-	-	-	#4	12"	#4	12"	
B-3	SIMPLE	16	18	662.00	2-#6	2-#6	-	-	-	-	#4	12"	#4	12"	
B-4	SIMPLE	17	20	662.00	2-#6	2-#6	-	-	-	-	#4	12"	#4	12"	

NOTE:
1. SEE STANDARD DETAIL 0331801 FOR TYPICAL BEAM ELEVATIONS.

- NOTES:
- ALL CONCRETE IN WALLS, SLABS, AND BEAMS ABOVE ELEVATION 632.50/634.83 SHALL BE CLASS C CHEMICAL RESISTANT CONCRETE.
 - REFER TO SHEET M100 FOR CONSTRUCTION RELATED SEQUENCING GUIDANCE RELATED TO LEAK TESTING.



WET WEATHER COMBINED SEWER STORAGE - PHASE 1
CITY OF CHATTANOOGA, TN
CONSENT DECREE PROGRAM



REV	DATE	REVISION DESCRIPTION
4	12/5/2018	ADDENDUM 4
3	11/20/18	BID SET
2	09/20/18	100% CITY LDO SUBMITTAL
1	09/20/18	TBE/SRF SUBMITTAL REVIEW

THIS LINE IS ONE INCH LONG WHEN PLOTTED FULL SCALE.
THIS DRAWING MUST BE USED IN CONJUNCTION WITH THE APPLICABLE OR GOVERNING TECHNICAL SPECIFICATIONS AND OTHER CONTRACT DOCUMENTS.
PROJECT NO: 50037-007
DATE: NOVEMBER - 2018
DISC LEAD: JPS
DESIGNER: ZPG
CHECKER: WGL

SHEET TITLE
DIVERSION STRUCTURE STRUCTURAL SECTIONS
SHEET S102

BID SET