

PROJECT ADDENDUM #1

To	All Bidders	Date:	11/21/19
From:	Bret Emerson	Company	Commtech Design
Project Name:	Central Middle School – Video Security		
Client:	Portage Public Schools		

The Following Changes, revisions, modifications, etc. shall be incorporated into the contract documents, specifications and plans

Attachments:

1. Prebid Sign in Sheet
2. TC501

Drawing Changes

1. TC501 Re-Issued
 - a. Note updated "VIDEO SECURITY EQUIPMENT SCHEDULE"

Sincerely,



Bret Emerson

Central Middle Schools - Classroom A/V and Video Security

	NAME	Company	Email	Telephone
1	Bret Emerson	Commtech Design <i>BE</i>	emersonb@commtechdesign.com	(616) 863-8132
2	Daniel Vomastek	Portage Public Schools	dvomastek@portageps.org	(269) 720-3148
3	<i>Brad Throop</i>	<i>Troxell</i>	<i>brad.throop@Troxell.com</i>	<i>586-532-1219</i>
4	<i>David Buist</i>	<i>Lightspeed</i>	<i>david.buist@lightspeed-tex.com</i>	<i>616-901-4511</i>
5	<i>Marty Golob</i>	<i>TPC Technologies</i>	<i>mgolob@tpctechnologies.com</i>	<i>574-250-7251</i>
6	<i>Steve VanDyke</i>	<i>FPS</i>		
7	<i>[Signature]</i>	<i>PPS</i>		
8	<i>Corey Brasher</i>	<i>PPS</i>		
9	<i>EDWARD VANWINKLE</i>	<i>PRESIDIO</i>	<i>EVANWINKLE@PRESIDIO.COM</i>	<i>(616)632-4007</i>
10				
11				
12				
13				
14				
15				
16				

COMMUNICATION SYMBOL LEGEND

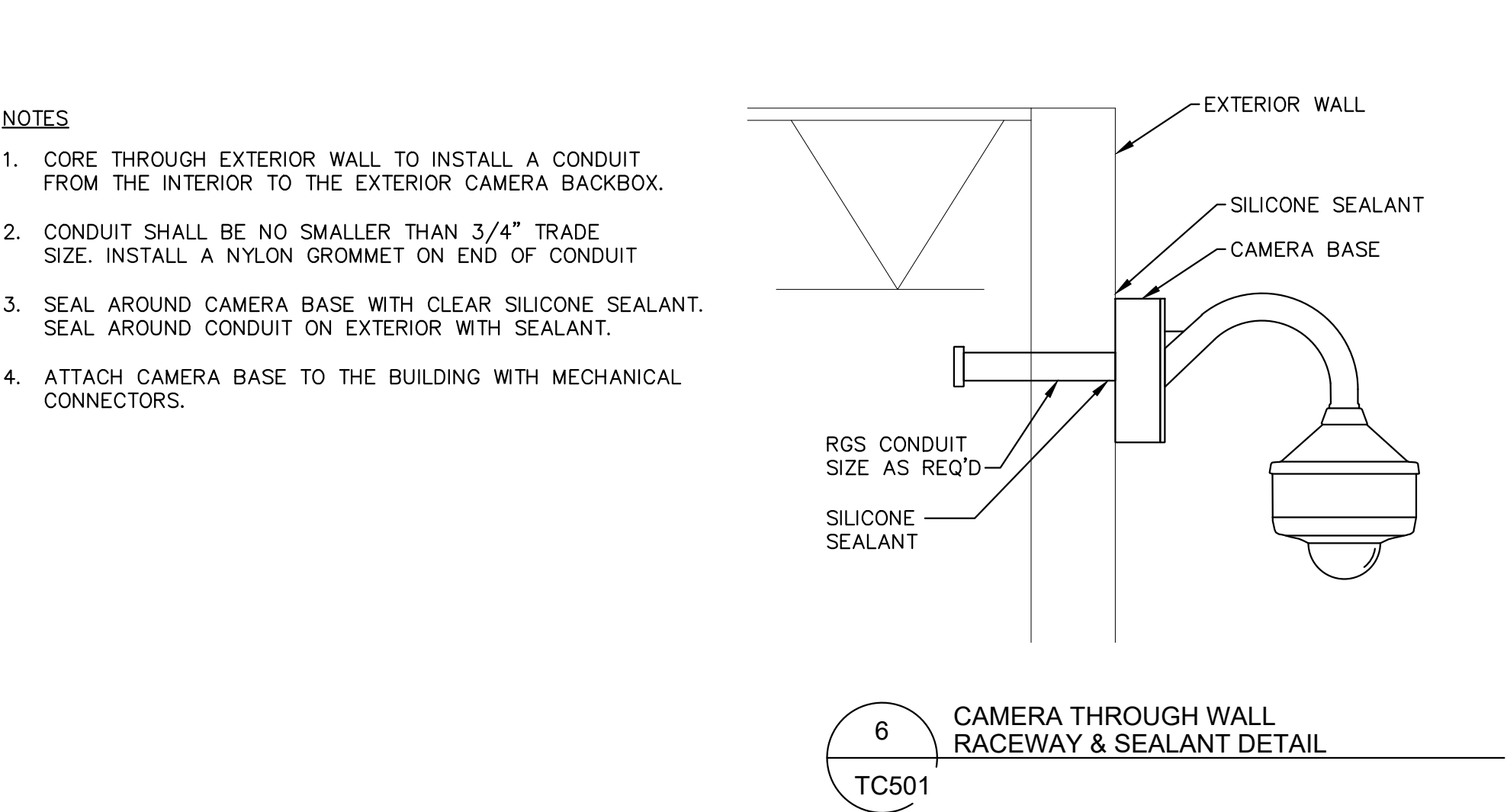
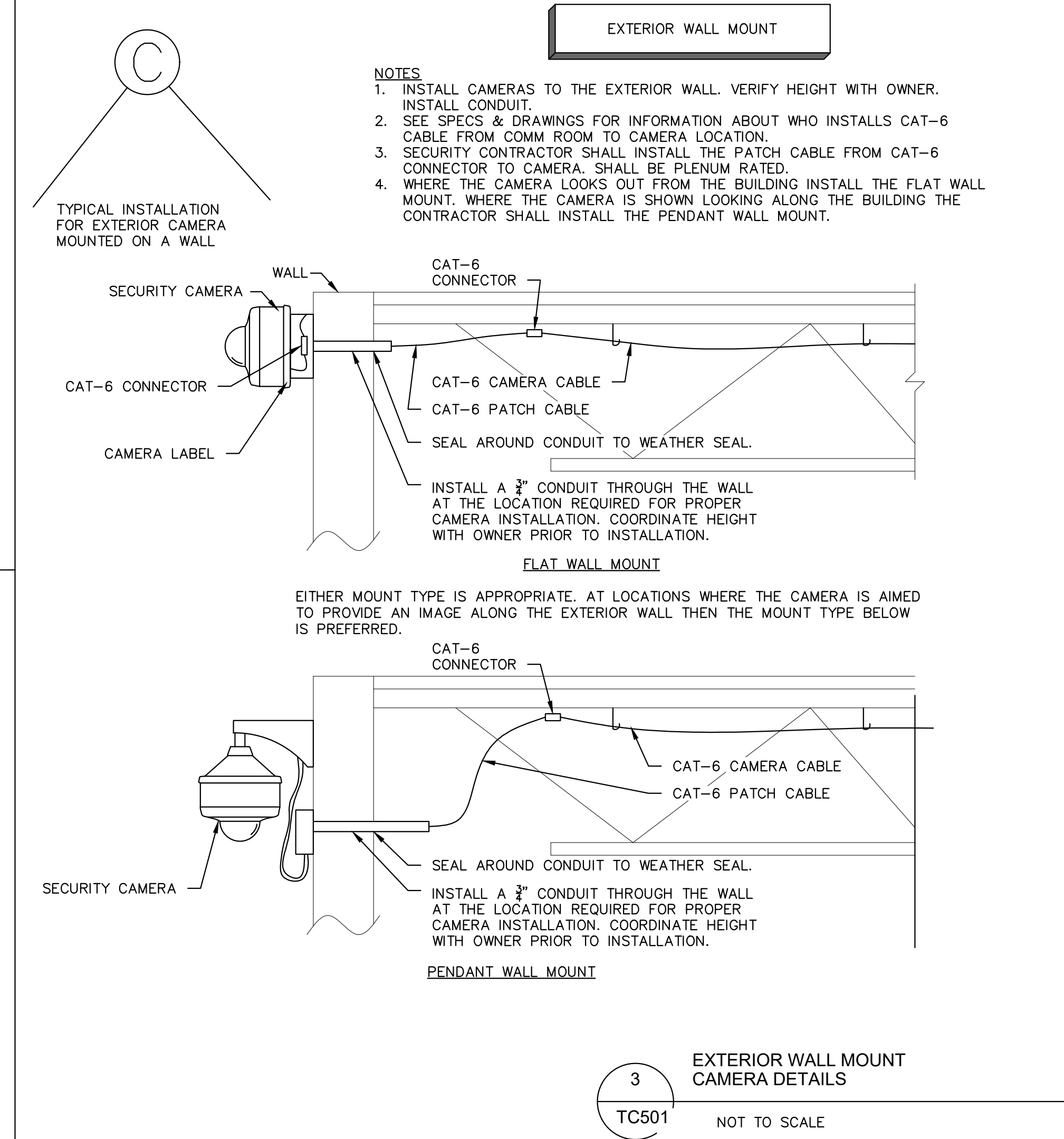
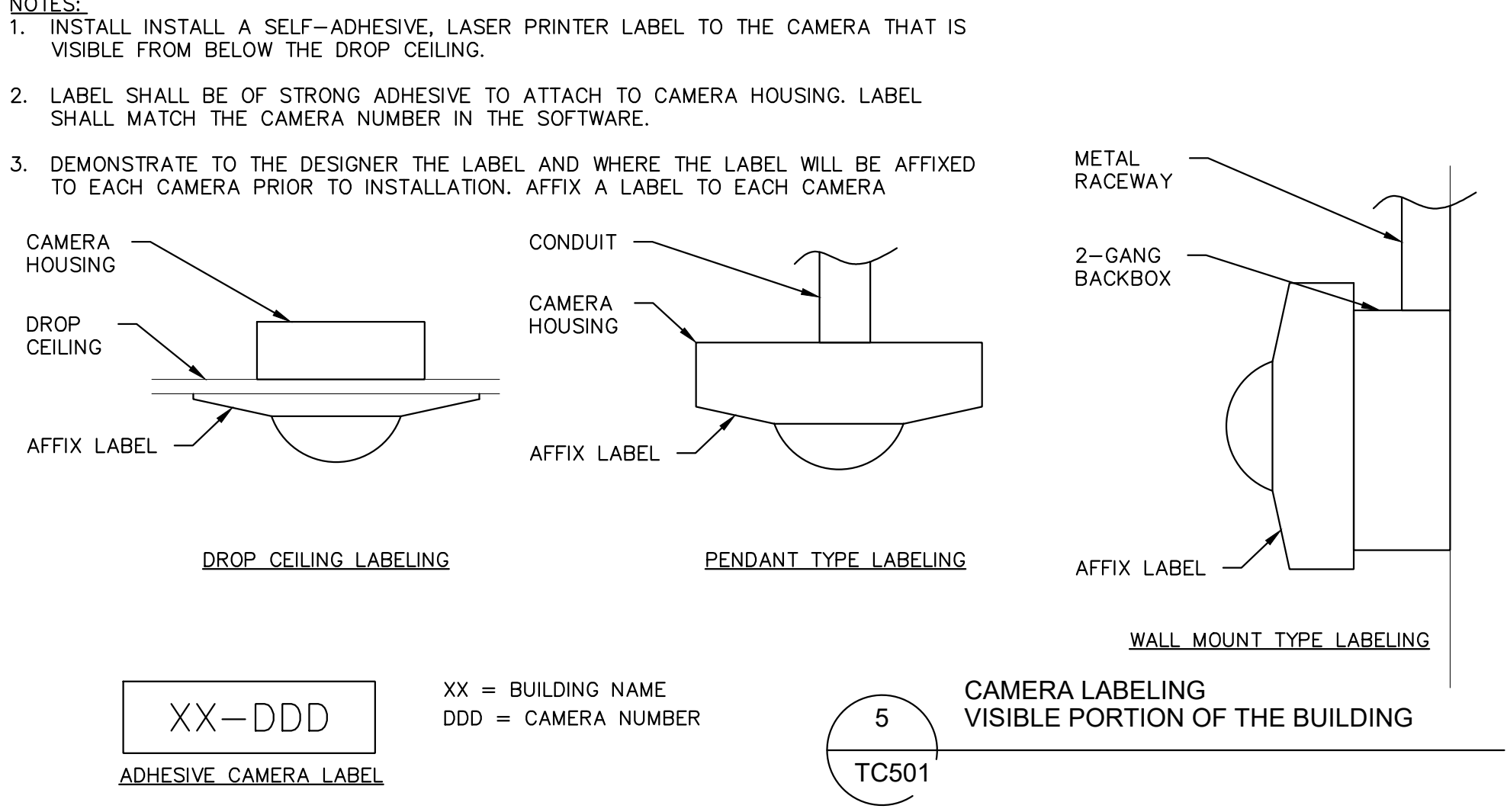
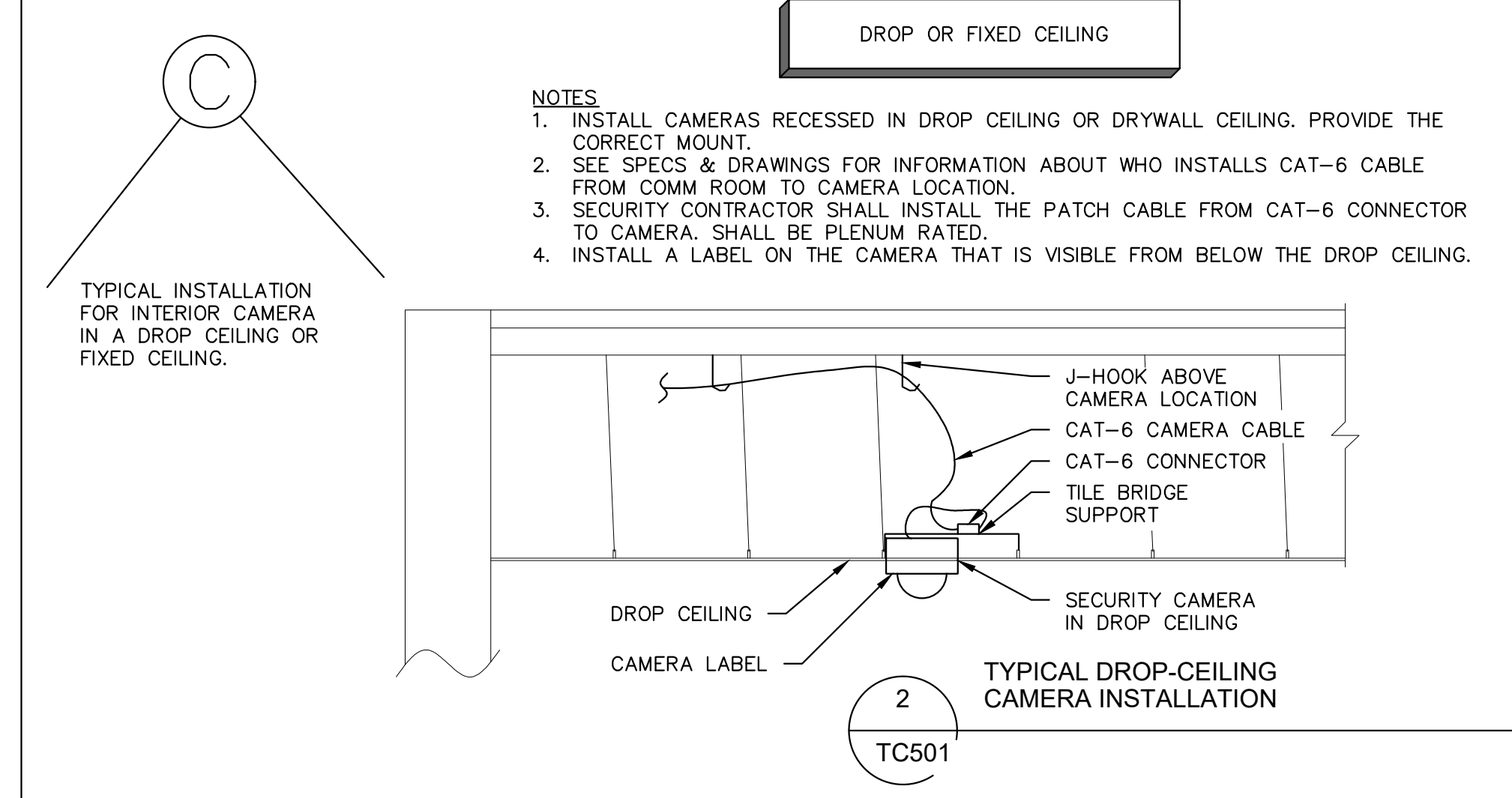
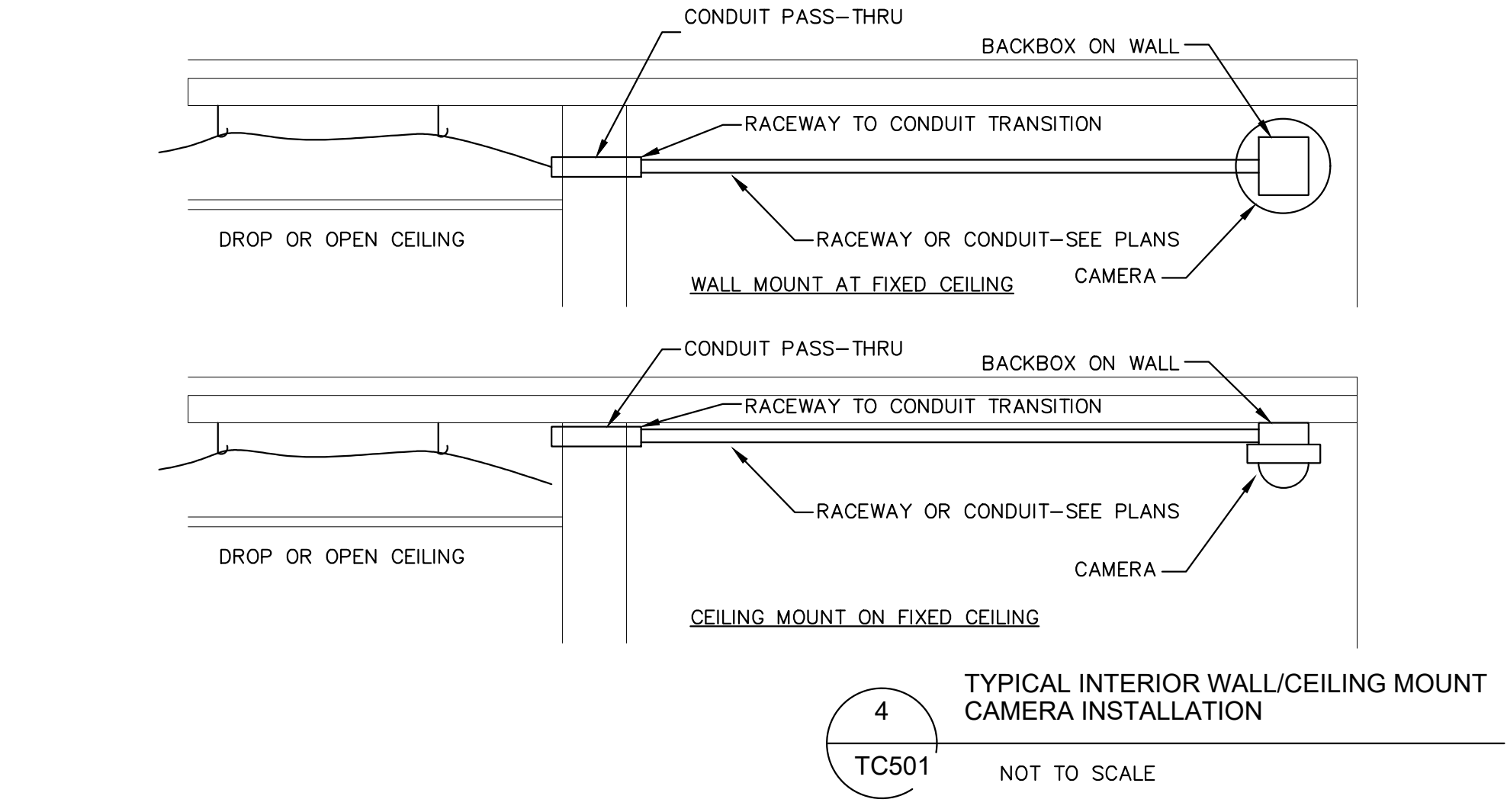
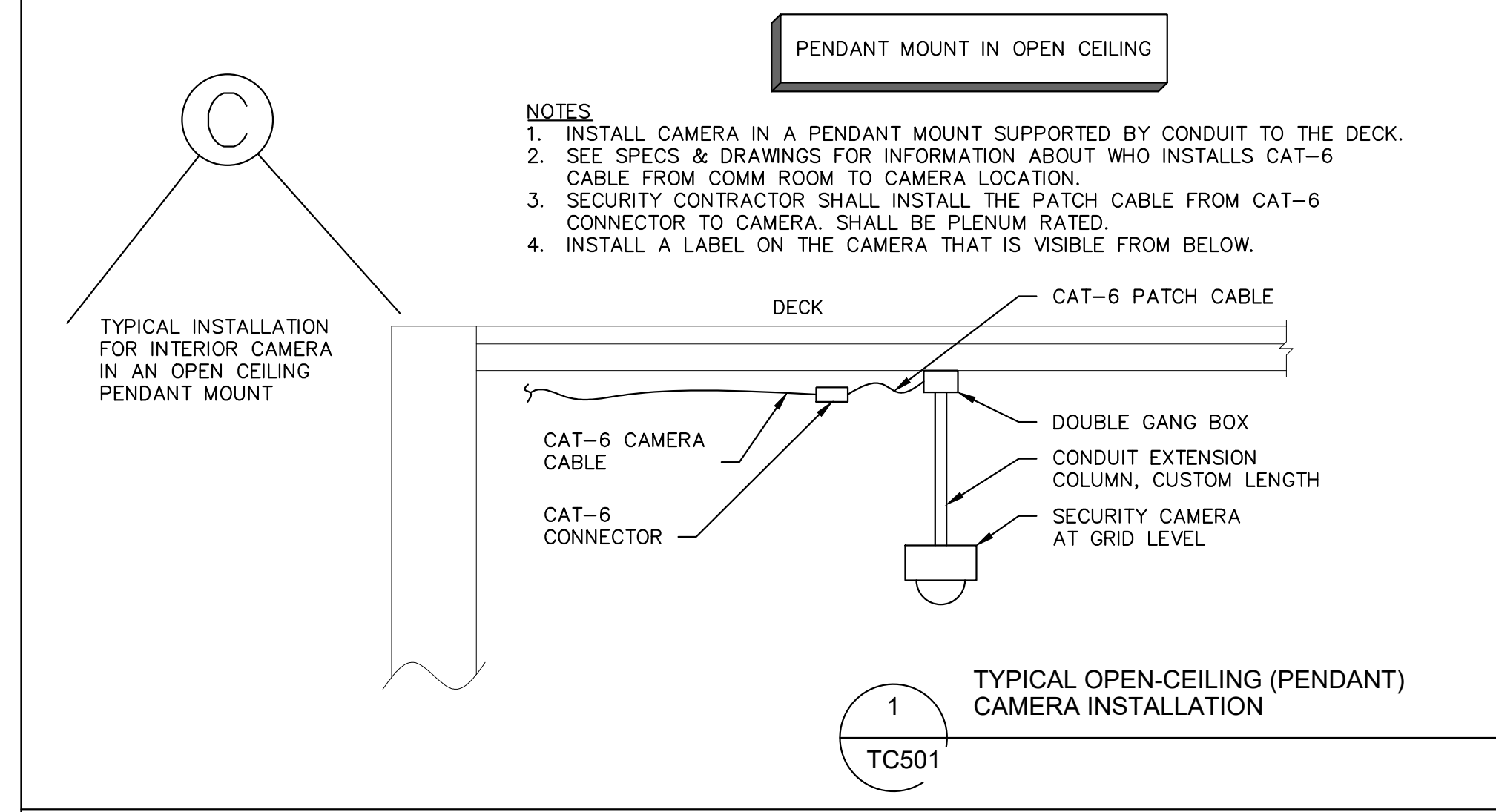
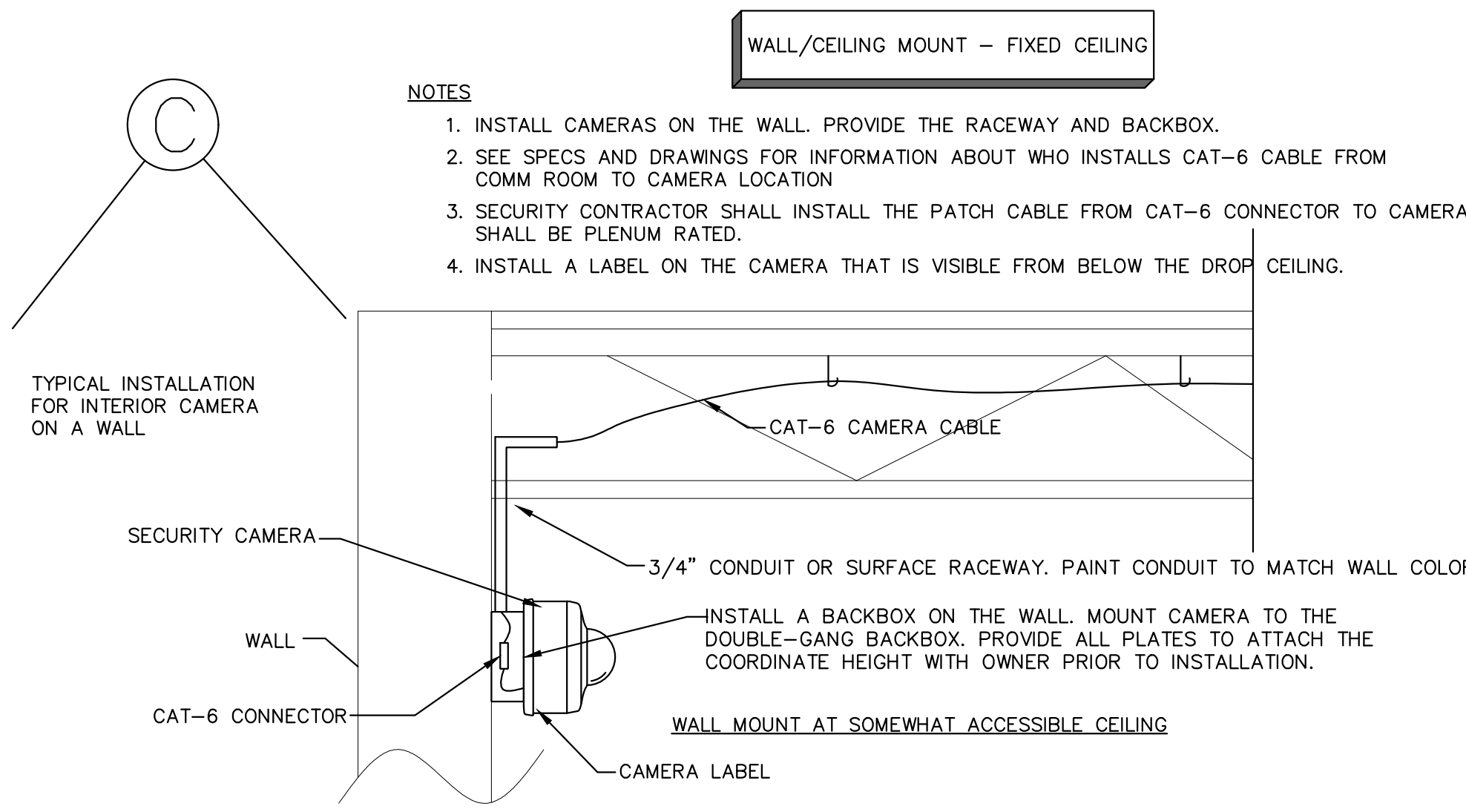
SYMBOL	DESCRIPTION
	SECURITY CAMERA, SEE SECURITY ONE-LINE DIAGRAM

ABBREVIATIONS

ABBREV.	DESCRIPTION	ABBREV.	DESCRIPTION
2G	TWO-GANG BOX - PROVIDED BY EC	NIC	NOT IN CONTRACT
AC	ABOVE COUNTER - INSTALL BACKBOX SAME HEIGHT AS OTHER ELECTRICAL OUTLETS ABOVE THE COUNTER.	PBO	PROVIDED BY OTHERS
AFF	ABOVE FINISHED FLOOR	PCO-1	PATCH CORD ORGANIZER - 1 UNIT HIGH
AFG	ABOVE FINISHED GROUND	PCO-2	PATCH CORD ORGANIZER - 2 UNITS HIGH
AWG	AMERICAN WIRE GAUGE	PET	PROTECTED ENTRANCE TERMINAL
EMT	EMT TYPE CONDUIT	QTY	QUANTITY
EC	ELECTRICAL CONTRACTOR		

VIDEO SECURITY EQUIPMENT SCHEDULE

MARK	DESCRIPTION	MANUFACTURER	PART NO.
SA	VIDEO SECURITY NVR AND RECORDING SERVERS	EXISTING	EXISTING
SB	INTERIOR OR EXTERIOR FISH EYE, 360-DEGREE CAMERA WITH NO BLIND SPOTS.	AVIGILON	12.0-H4F-D01-IR
SC	INTERIOR IP CAMERA, 3-SENSOR CAMERA. PROVIDE WITH DROP CEILING, WALL OR PENDANT MOUNT BASED ON THE INSTALLATION TYPE REQUIRED.	AVIGILON	9W-H4A-3MH-XXX
SD	INTERIOR IP CAMERA, 4-SENSOR CAMERA. PROVIDE WITH DROP CEILING, WALL OR PENDANT MOUNT BASED ON THE INSTALLATION TYPE REQUIRED.	AVIGILON	12W-H4A-4MH-XXX
SE	EXTERIOR IP CAMERA, 3-SENSOR CAMERA. SHALL BE MOUNTED VIA AN EXTENSION ARM FOR PENDANT MOUNTING.	AVIGILON	9W-H4A-3MH-DP1-B
SF	EXTERIOR IP CAMERA, 3-SENSOR CAMERA. SHALL BE MOUNTED VIA AN EXTENSION ARM FOR PENDANT MOUNTING.	AVIGILON	12C-H4A-4MH-DP1-B
SG	INDOOR DOME CAMERA, WITH IR BLASTER. INCLUDE APPROPRIATE MOUNT.	AVIGILON	5.0L-H4A-D1-IR
SH	INDOOR DOME CAMERA, INCLUDE APPROPRIATE MOUNT.	AVIGILON	5.0L-H4A-DC2



Commtech Design
6561 BELLING RD. NE. STE 101
ROCKFORD, MICHIGAN 49341
WWW.COMMTECHDESIGN.COM

Mark	Revision	Description
	ISSUED FOR BID	10/25/19
	ADDENDUM NO. 1	11/21/19

PORTAGE PUBLIC SCHOOLS
CENTRAL MIDDLE SCHOOL
VIDEO SECURITY
PORTAGE, MICHIGAN

These drawings are the Property of the Designer and are not to be reused or reproduced without the designer's permission. CommTech Design

Date	10/25/2019
Project	1253_01
Sheet	TC501 SECURITY LEGENDS, SCHEDULES & DETAILS