



ADDENDUM NO. 4

Issue Date: February 20, 2023

Project Name: Replacement Pontoon Boat Dock at the Environmental Learning Center

Bid Number: 2023021

Bid Opening Date: February 24, 2023

This addendum is being released to answer questions received to date.

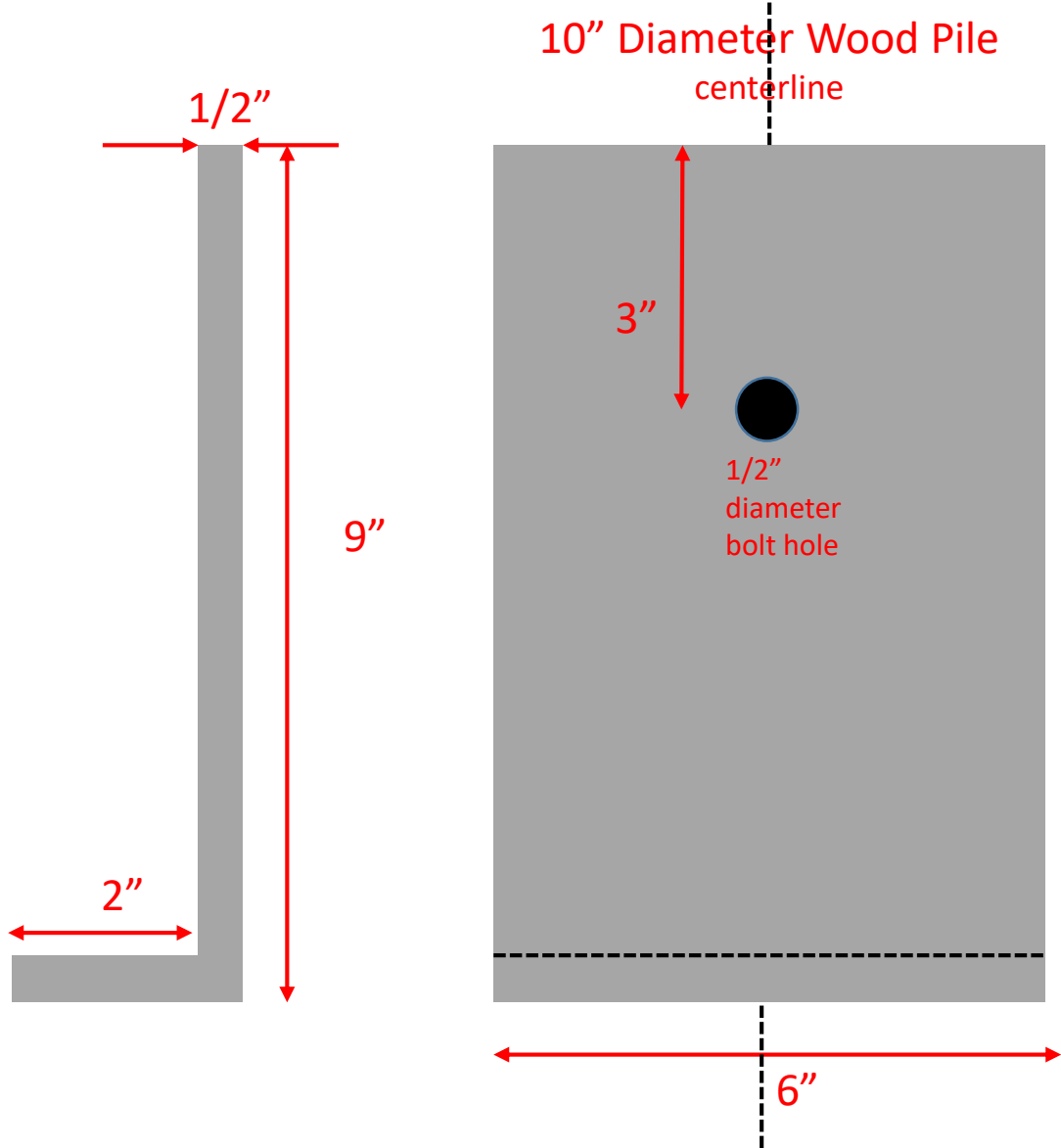
The information and documents contained in this addendum are hereby incorporated in the invitation to bid. **This addendum must be acknowledged where indicated on the bid form, or the bid may be declared non-responsive.**

Attachments:

ELC Dock Angle Details

Questions and Answers

1. Can the engineer provide a drawing for the stainless fender mounting brackets required please?
See attached.



10" Diameter Wood Pile

centerline

1/2"

3"

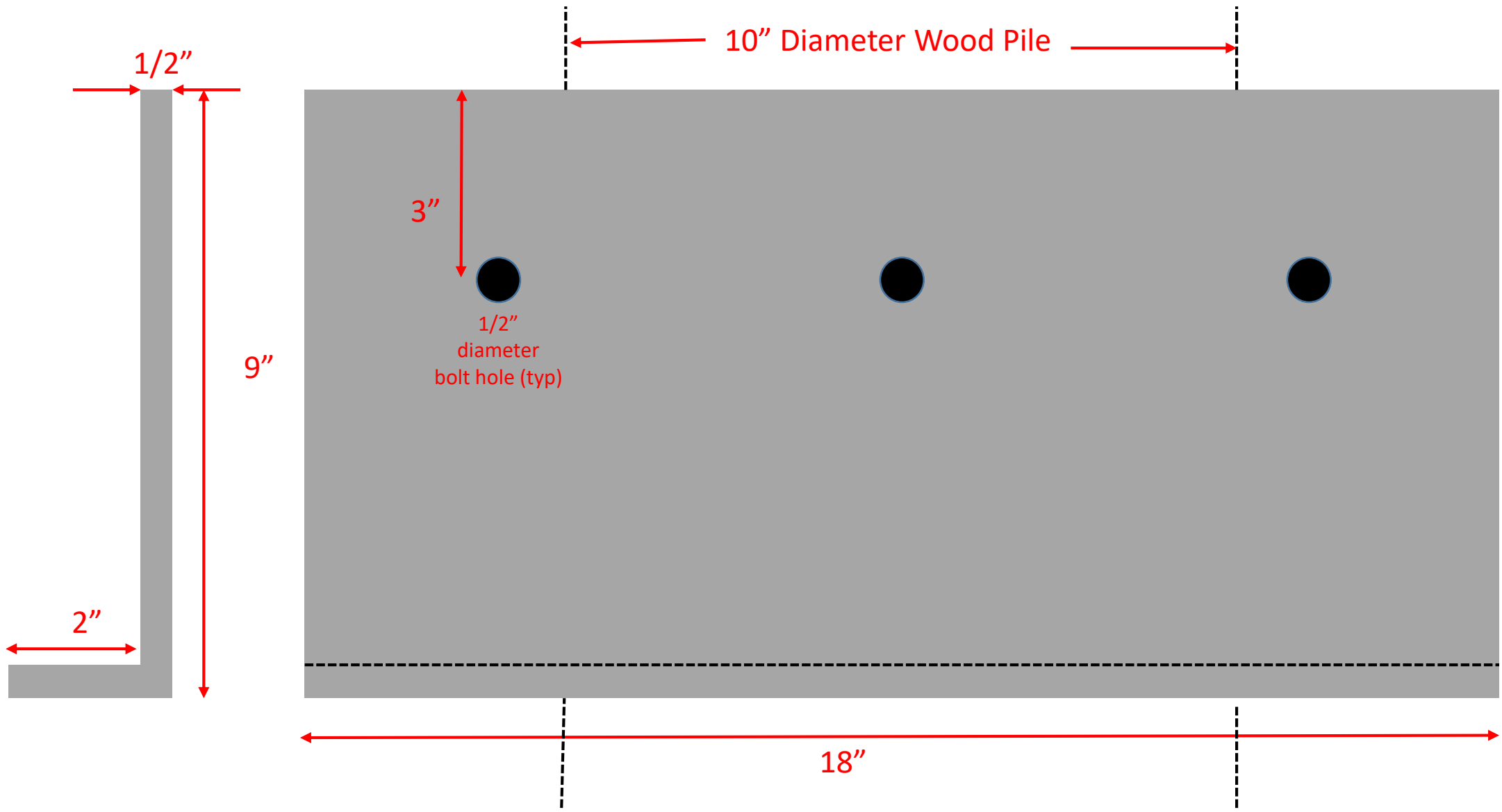
1/2"
diameter
bolt hole

9"

2"

6"

6" Angle Detail – at ends of Fender Rails



18" Angle Detail – at interior of Fender Rails
(where two 3x12s are to be bolted to pile)