

# Addendum 1

**City of Canton, Ohio**  
Purchasing Department  
218 Cleveland Ave. SW, 4<sup>th</sup> floor  
Canton, Ohio 44702

Sugar Creek Water Treatment Plant Lagoon Cleanout, Removal & Disposal of Sludge  
**Item/Project**

Water Department

**Responsible Department**

Wednesday, February 10, 2021 on or before 2:00 PM local time

**Bids Due**

**Bid Proposal Submitted By:**

**Company Name**

**Street Address**

**City**

**State**

**Zip**

**Contact Person**

**Phone No.**

**Email Address**

**Sugar Creek Water Treatment Plant Lagoon Cleanout, Removal and Disposal of Sludge  
Water Department**

**Question 1:**

The specifications do not include any physical descriptions of the lagoon basins and the amount of sludge to be expected.

**Answer:**

For details on the basins, please see the attached "Lagoon Plans and Sections.pdf". Since this is only the second year of cleaning these lagoons, the amount of sludge expected to be removed from each lagoon is undetermined at this point. It could range anywhere from 10" to 24". The weight of the sludge will be dependent on how well we can de-water it.

**Question 2:**

What is the latitude and longitude of the plant location?

**Answer:**

For the latitude and longitude of the plant location, please see the attached Location Map.

**Question 3:**

Have these basins been cleaned previously? If so, by whom, when, and what was the cost and disposal?

**Answer:**

(2020) was the first year these lagoons have been cleaned and only the eastern (lagoon 1) and middle (lagoon 2) lagoons were cleaned. JMW Companies is the company that cleaned them and Kimble Landfill received the sludge. Lagoon 1 was cleaned on June 30, 2020 and lagoon 2 was cleaned on September 15, 2020. Lagoon 1 had approximately 16" to 18" of sludge in it. The total weight of sludge removed was 102.15 tons. JMW Companies invoice for Lagoon 1 was \$11,050. Lagoon 2 had approximately 32" to 36" of sludge in it. The total weight of sludge removed was 281.37 tons. JMW Companies invoice for Lagoon 2 was \$17,950. Kimble's disposal fee was \$37 per ton for solid waste and \$91 per ton for liquid waste.

**Question 4:**

Will the contractor be allowed to process (dewater) the sludge onsite?

**Answer:**

Yes, as long as the sludge is contained and does not contaminate the site.

**Question 5:**

Is a power connect available (480V, 3-phase, 100A)?

**Answer:**

No, a generator would be required.

**Question 6:**

Will the filtrate produced from dewatering be accepted back to the head of the plant or back to the lagoon basins?

**Answer:**

Yes, it could be discharged into one of the other lagoons.

**Sugar Creek Water Treatment Plant Lagoon Cleanout, Removal and Disposal of Sludge  
Water Department**

**Question 7:**

How are the lagoon basins constructed and lined, and how will the contractor protect the lagoon basin liner?

**Answer:**

The lagoons are constructed out of concrete. See the attached Lagoons and Sections pdf attached. In past cleanings, a solid, plastic sleeve was fabricated and attached to the front of the backhoe's bucket.

**Question 8:**

Which landfill do you expect to receive the dewatered sludge? Have they been contacted regarding acceptance and the amount of sludge they are to receive?

**Answer:**

Last year in 2020, the sludge was taken to Kimble landfill. They were contacted in 2020 when we cleaned out the lagoons. They have not been contacted in 2021.

**Question 9:**

When does the contract begin/end?

**Answer:**

The term of any and all resulting contracts shall begin on the date of the certification of funds by the City of Canton Auditor as noted on the finalized contract. The contract shall be for one year.

**Question 10:**

Can you provide the previous three year's bid tabulations?

**Answer:**

Please refer to the answer for Question 3.

**Question 11:**

What was the previous contract's unit pricing?

**Answer:**

Please refer to the answer for Question 3.

**Question 12:**

What is the amount that has been removed yearly in the last three years?

**Answer:**

Please refer to the answer for Question 3.

**Question 13:**

Is the material suitable for land applications?

**Answer:**

No.

**Question 14:**

Does the City of Canton currently hold a Land Application Management Permit for the Sugar Creek Water Treatment Plant sludge?

**Answer:**

No.

**Sugar Creek Water Treatment Plant Lagoon Cleanout, Removal and Disposal of Sludge  
Water Department**

**Question 15:**

Do you have an estimated amount of sludge in each lagoon?

**Answer:**

Please refer to the answer for Question 3.

**Question 16:**

How do you want the material removed? With a hydraulic dredge, mechanically, pumped out, etc.

**Answer:**

That is up to the contractor.

**Question 17:**

If you are open to all methods, can we fit a hydraulic dredge in the 3 ponds?

**Answer:**

Please see the attached "Lagoon Plans and Sections.pdf" for the size of the lagoons.

**Question 18:**

Is there a minimum amount of material to be removed? Asking this because I noticed the landfill charge is set at \$50,000.00. The amount of material going to the landfill can affect that number.

**Answer:**

For details on the basins, please see the attached "Lagoon Plans and Sections.pdf". Since this is only the second year of cleaning these lagoons, the amount of sludge expected to be removed from each lagoon is undetermined at this point. It could range anywhere from 10" to 24". The weight of the sludge will be dependent on how well we can de-water it.

**Question 19:**

Where exactly is this located? I put in the address for the plant provided on the bid docs and even pulled it up on google earth and it seems the address does not even exist or takes me to a different company. Trying to get a google earth image so I can see the ponds and setup area. I did not see any attachments in the documents.

**Answer:**

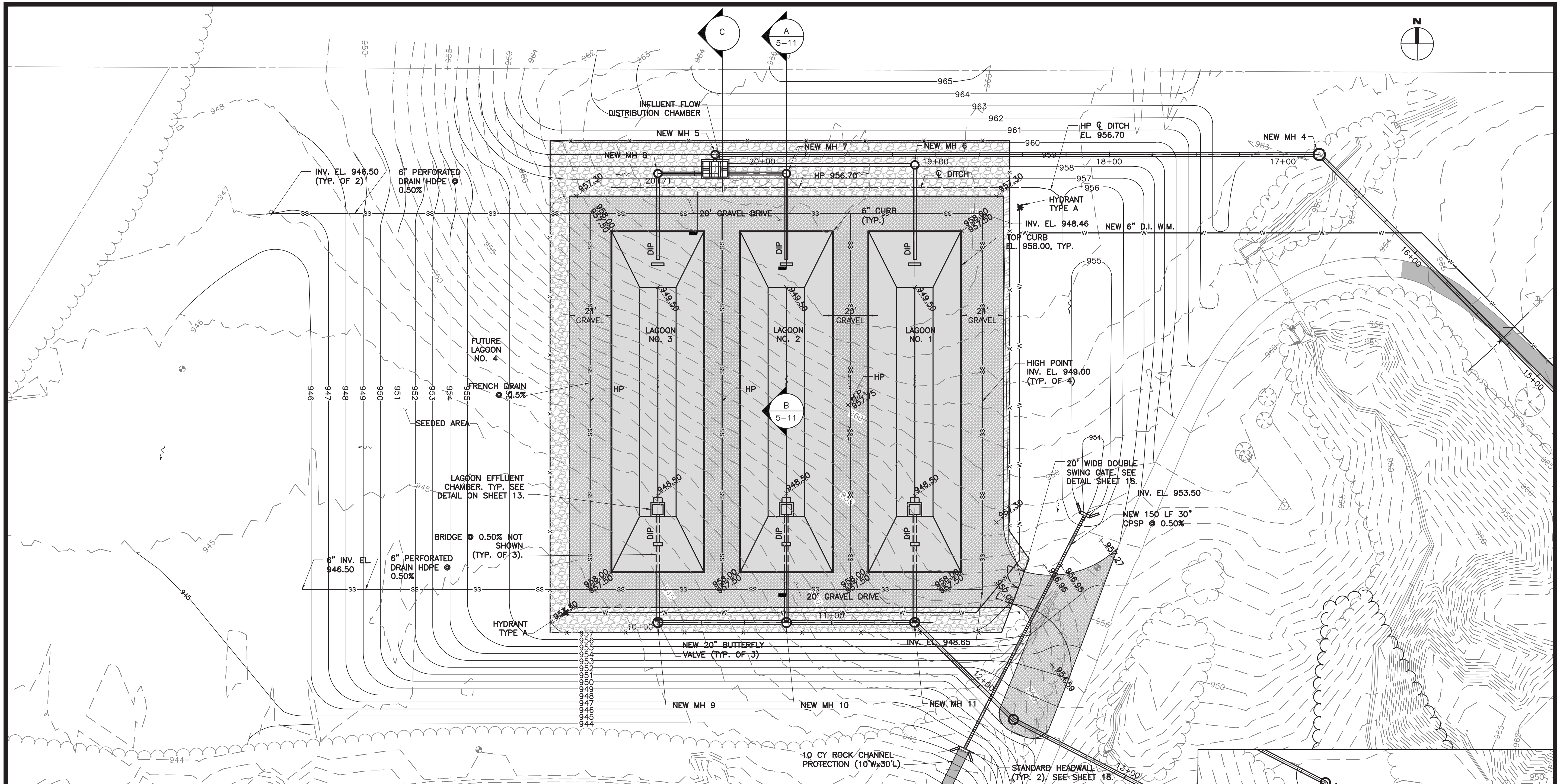
For the latitude and longitude of the plant location, please see the attached Location Map.



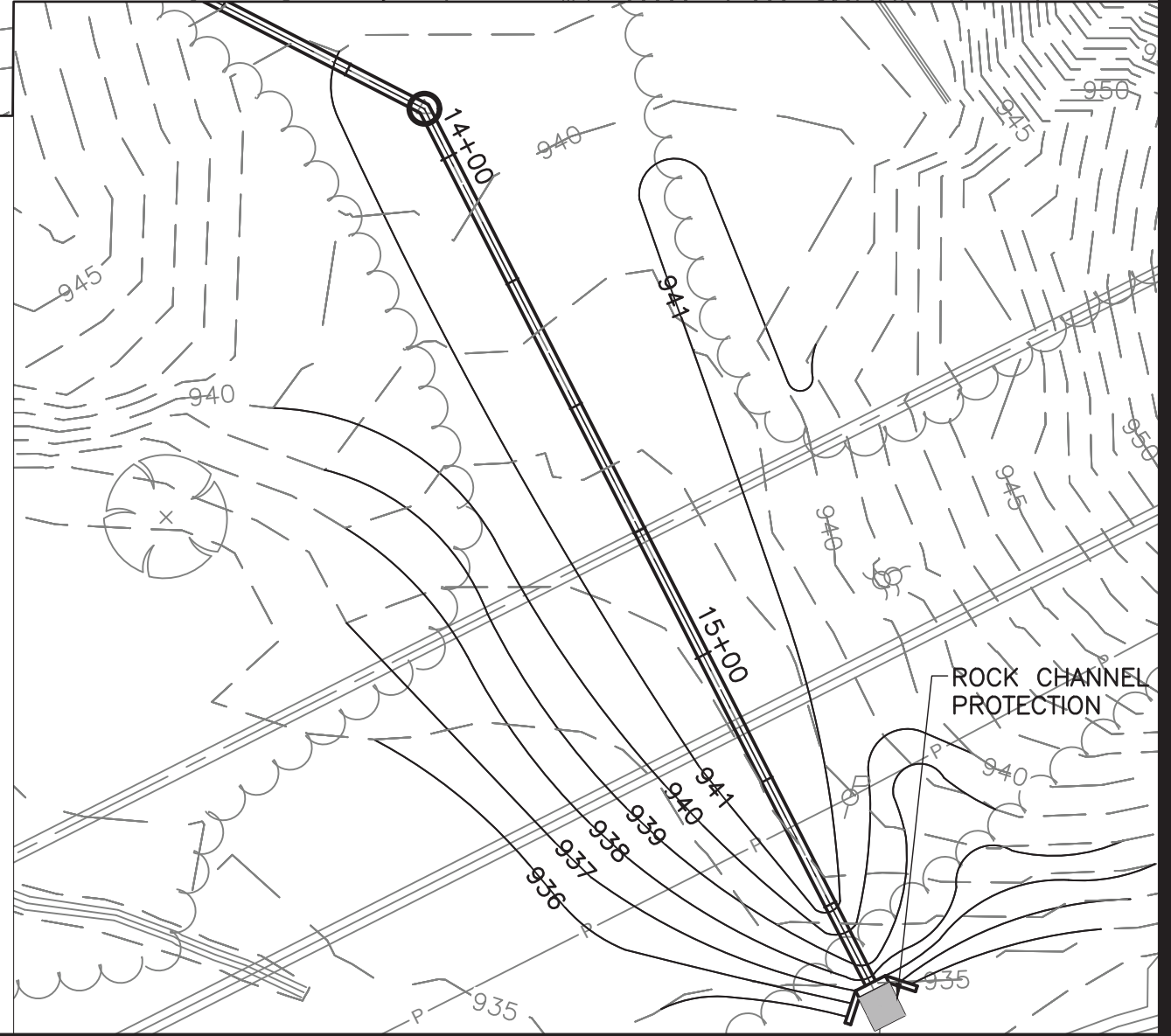
Tuscarawas County GIS Image  
Scale: none

PLOTTED: 4/25/2017 4:21:17 PM

P:\PR54872\Cadd\4 Final Grading Plan.dwg 4/20/2017 2:45:14 PM Senuja, Kelsie



**C** LAGOON GRADING SECTION  
SCALE: 1/4" = 1'-0"



**BURGESS & NIPLÉ**  
100 WEST ERIE STREET  
PAINESVILLE, OHIO 44077

CITY OF CANTON, OHIO  
SUGAR CREEK WATER TREATMENT PLANT  
BACKWASH WATER TREATMENT  
IMPROVEMENTS

NO.	DESCRIPTION	DATE

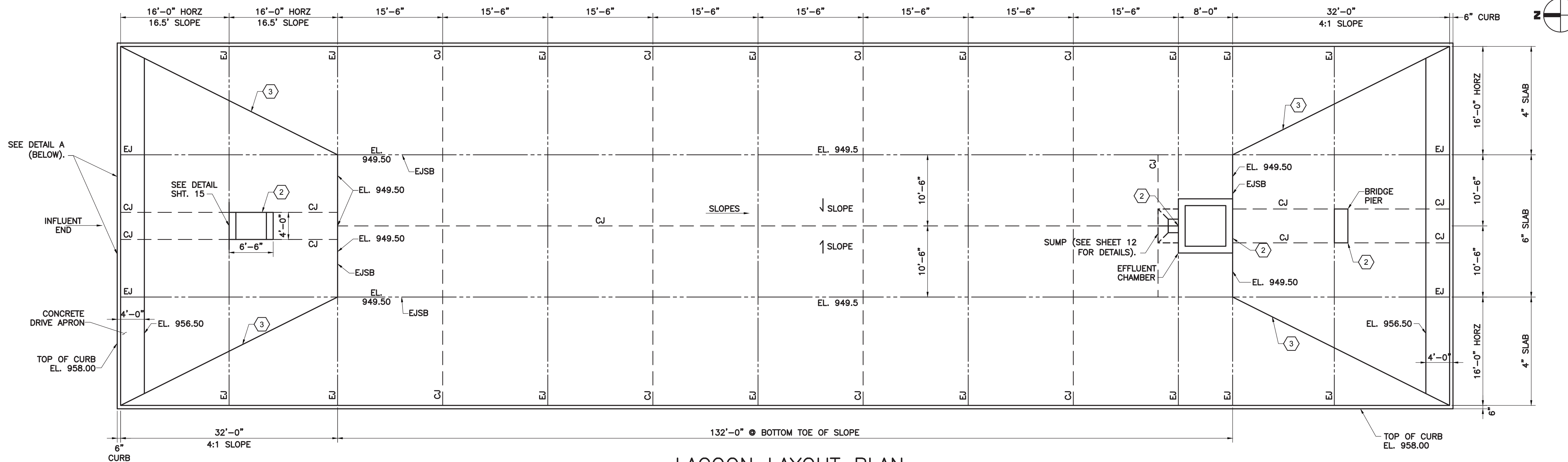
JOB NO: PR54872  
DATE: JAN 2017  
DESIGNED BY: RRH  
DRAWN BY: RRH  
CHECKED BY: CMS  
APPROVED BY: CMS  
SCALE: 1" = 30'

LAGOON GRADING PLAN

5  
SHEET: 5 OF 24

PLOTTED: 4/25/2017 4:22:29 PM

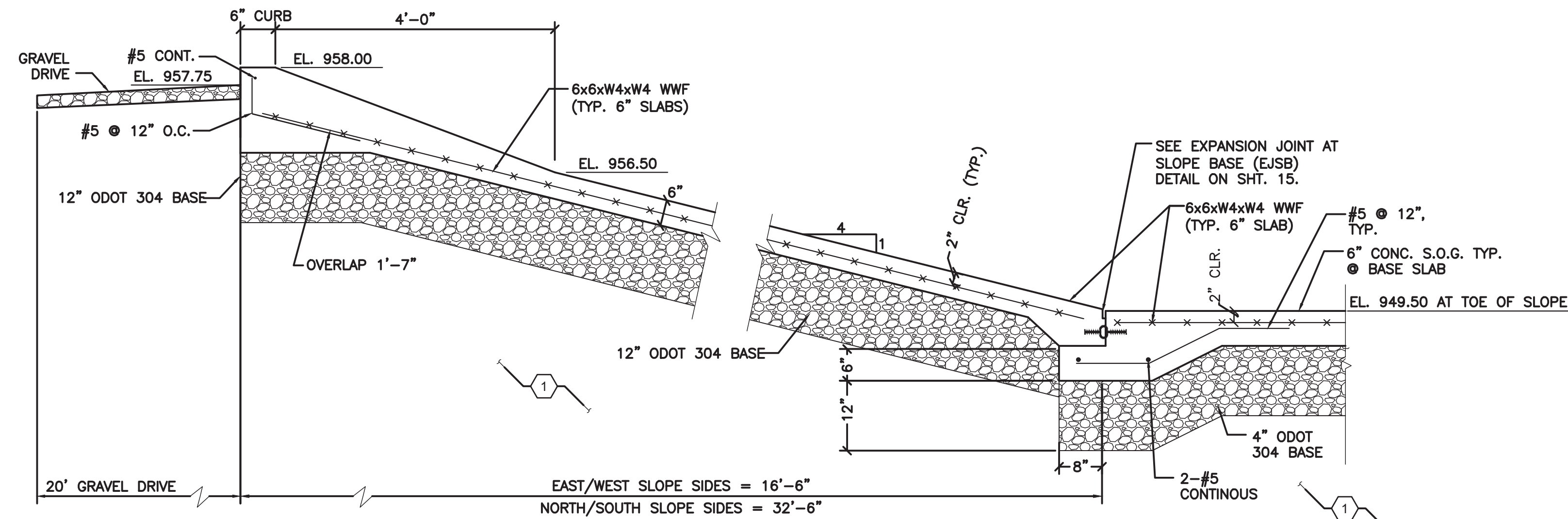
P:\PR54872\Cadd\6 LAGOON PLAN AND SECTION.dwg 4/20/2017 2:55:47 PM Senita, Kelsie



### LAGOON LAYOUT PLAN

SCALE: NONE

NOTE: ALL JOINTS TO BE WATER STOPPED. SEE DETAILS SHT 15.



PROVIDE CONSTRUCTION JOINTS, IF REQUIRED, PER DETAIL ON SHEET 21

1 ALL EXCAVATION AND BACKFILL SHALL BE MONITORED BY AN APPROVED GEOTECHNICAL ENGINEERING COMPANY HIRED BY THE CONTRACTOR. ALL REPORTS ON APPROVED FILL MATERIALS, EXCAVATION, COMPACTION OF FILL MATERIALS AND APPROVAL OF SLAB-ON-GRADE BEARING SURFACES MUST BE SUBMITTED TO THE ENGINEER. IN PLACE DENSITY TESTS TO VERIFY COMPACTION ARE REQUIRED.

REMOVE AND DISPOSE OF SOFT AREAS AND ALL ORGANIC SOILS AND UNSUITABLE FILLS ENCOUNTERED WITHIN AND BELOW THE AREA TO BE OCCUPIED BY THE SLABS-ON-GRADE.

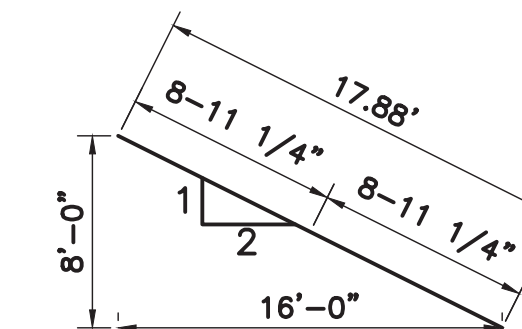
CONTRACTOR SHALL PROVIDE BACKFILL AND EMBANKMENT MEETING THE REQUIREMENTS OF SPECIFICATIONS 31 23 00, GRANULAR BACKFILL (2.1.C) TO RAISE THE GRADE OF THE LAGOON BOTTOM AND SIDE SLOPES FOR PLACEMENT OF THE ODOT 304 BASE AND CONCRETE SLAB. COMPACT AGGREGATE MATERIAL PER SPECIFICATION 31 23 00, PART 3.9.C.3.

2 WATER STOPPED EXPANSION JOINT AROUND STRUCTURES. SEE DETAIL SHEET 15.

3 VALLEY LINE.

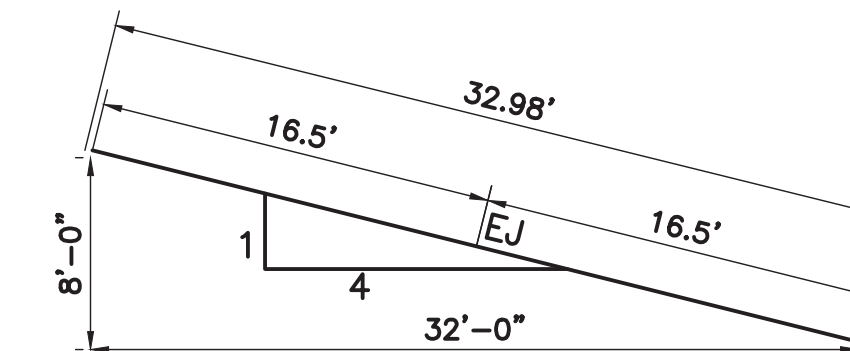
NOTE:

1. SEE SHT 15 FOR LAGOON UNDERDRAIN.



### 2:1 SIDE SLOPE GEOMETRY

SCALE: NONE



### 4:1 END SLOPE GEOMETRY

SCALE: NONE

**BURGESS & NIPLÉ**  
100 WEST ERIE STREET  
PAINESVILLE, OHIO 44077

CITY OF CANTON, OHIO  
SUGAR CREEK WATER TREATMENT PLANT  
BACKWASH WATER TREATMENT  
IMPROVEMENTS

NO.	DESCRIPTION	DATE

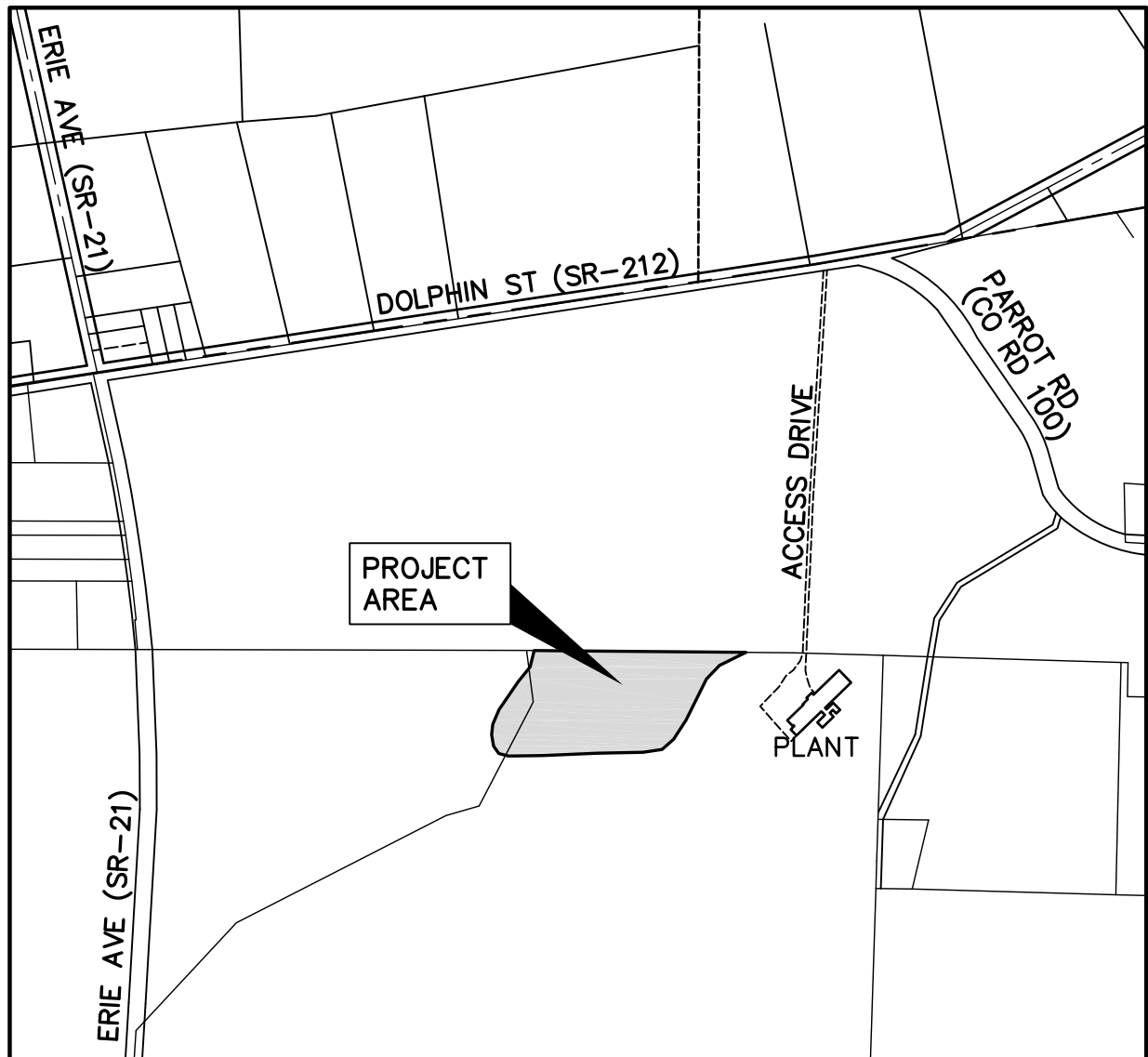
JOB NO:	PR54872
DATE:	JAN 2017
DESIGNED BY:	RRH
DRAWN BY:	RRH
CHECKED BY:	CMS
APPROVED BY:	CMS
SCALE:	NONE

LAGOON PLAN & SECTION

6

SHEET: 6 OF 24

# CANTON SUGARCREEK WATER TREATMENT PLANT



## LOCATION MAP

(NOT TO SCALE)

LOCATED IN FRANKLIN TOWNSHIP, TUSCARAWAS COUNTY, OHIO

LATITUDE: 40.647301 LONGITUDE: -81.536557

GOOGLE MAPS ADDRESS: 9649 DOLPHIN ST SW  
BEACH CITY, OHIO 44608

COMPANY/CONTACT: CITY OF CANTON WATER DEPARTMENT  
ATT.: BRENT BURRIER  
2664 HARRISBURG ROAD NE  
CANTON, OHIO 44705  
PHONE: 330-438-6569  
E-MAIL: [brent.burrier@cantonohio.gov](mailto:brent.burrier@cantonohio.gov)