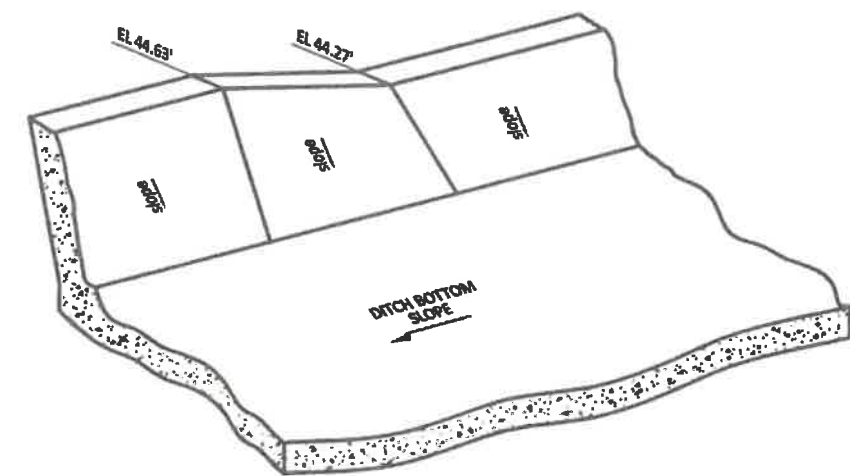
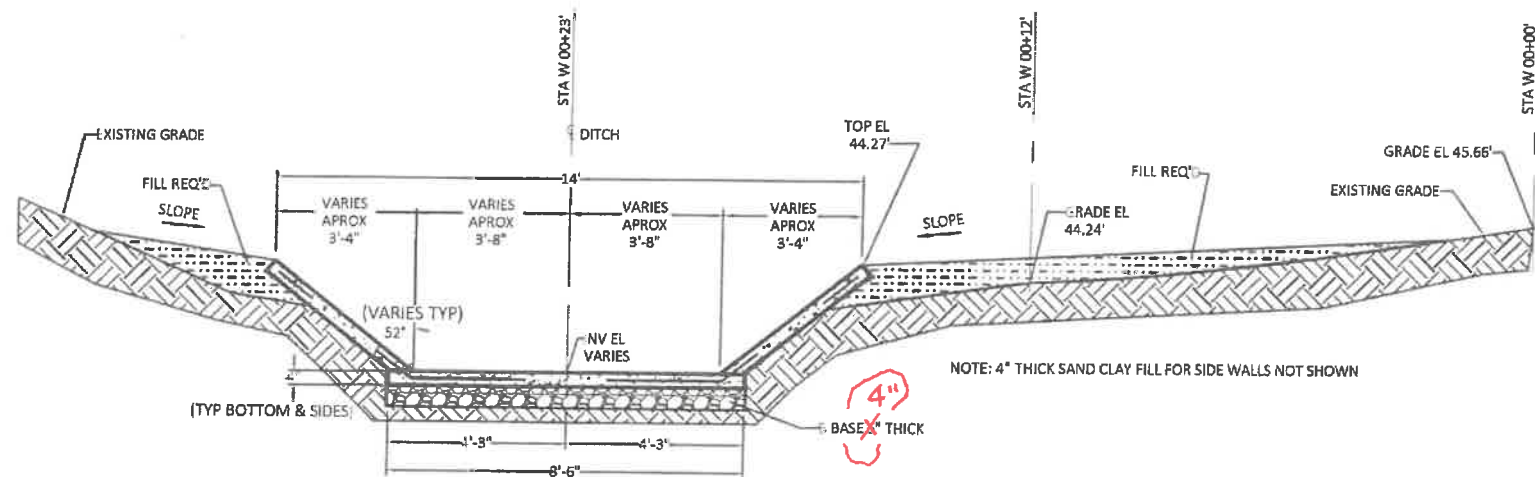


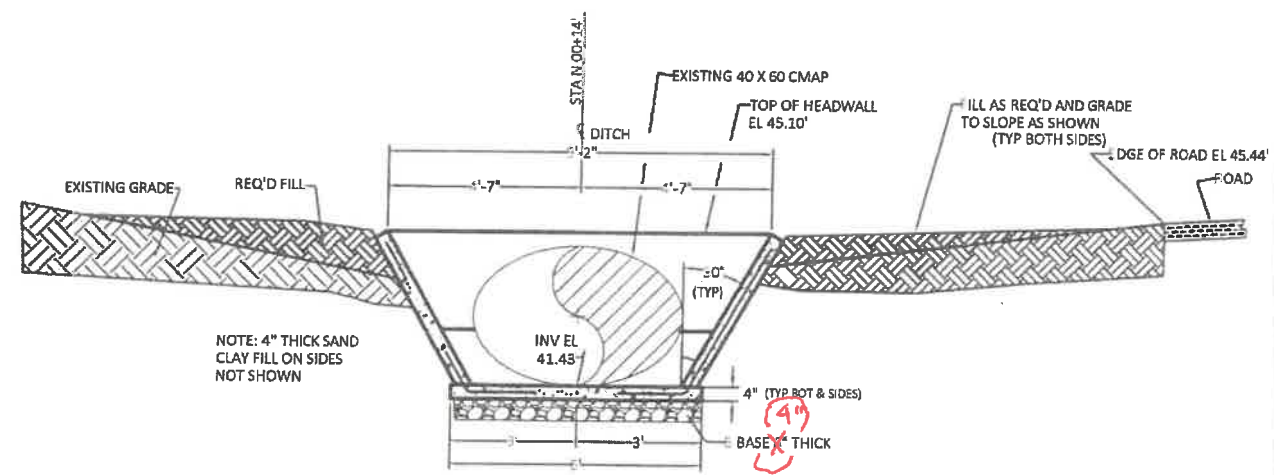
STA N 00+40
LOOKING NORTH
SCALE: 1/2" = 1'-0"



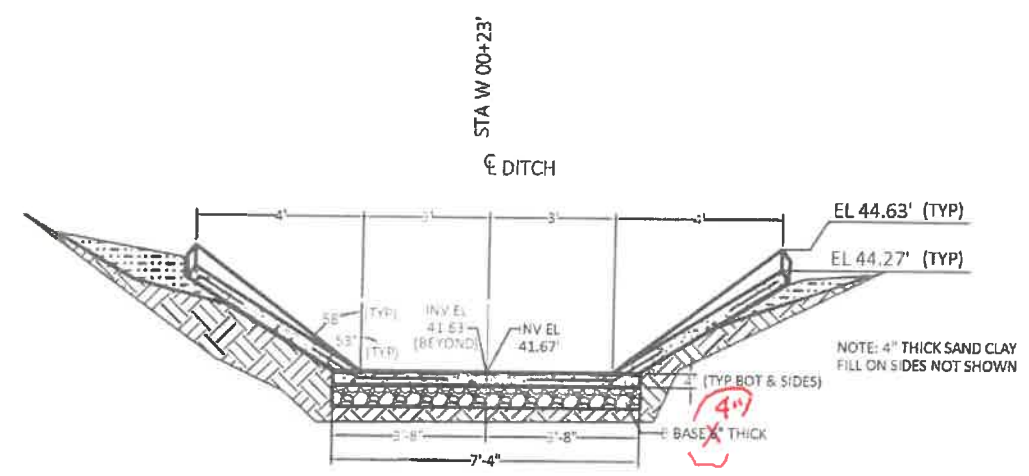
SECTION/VIEW "C-C"
LOOKING WEST
NT 5



SECTION "A-A" AT STA N 00+15.50
LOOKING NORTH
SCALE: 1/2" = 1'-0"



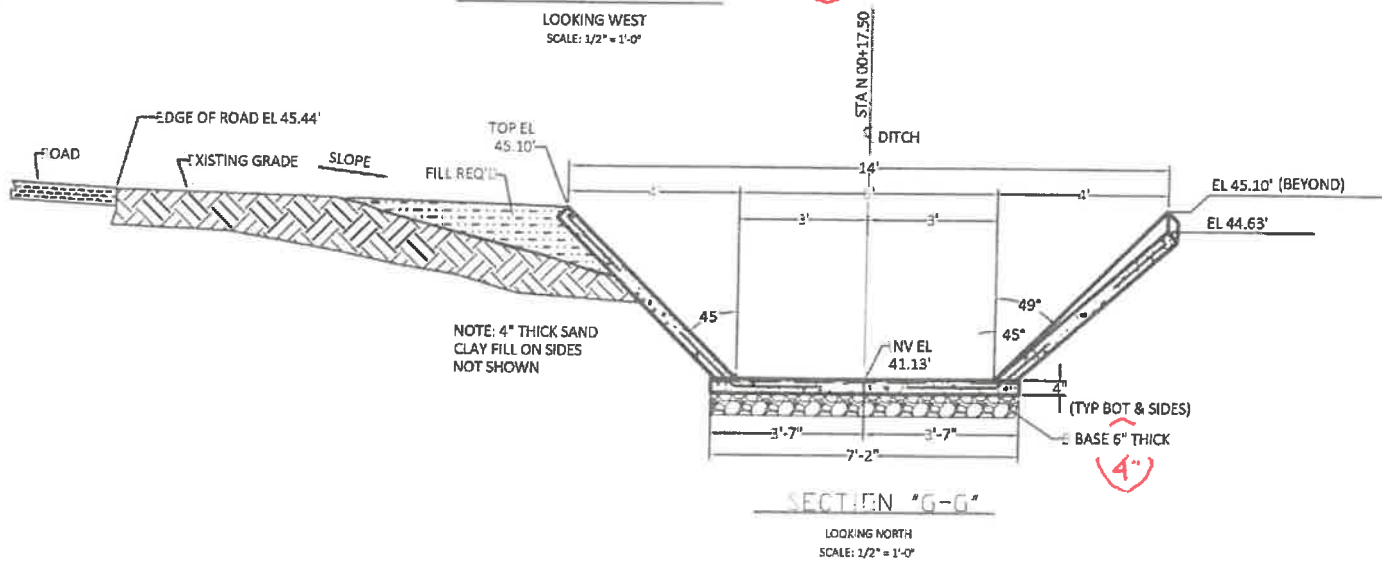
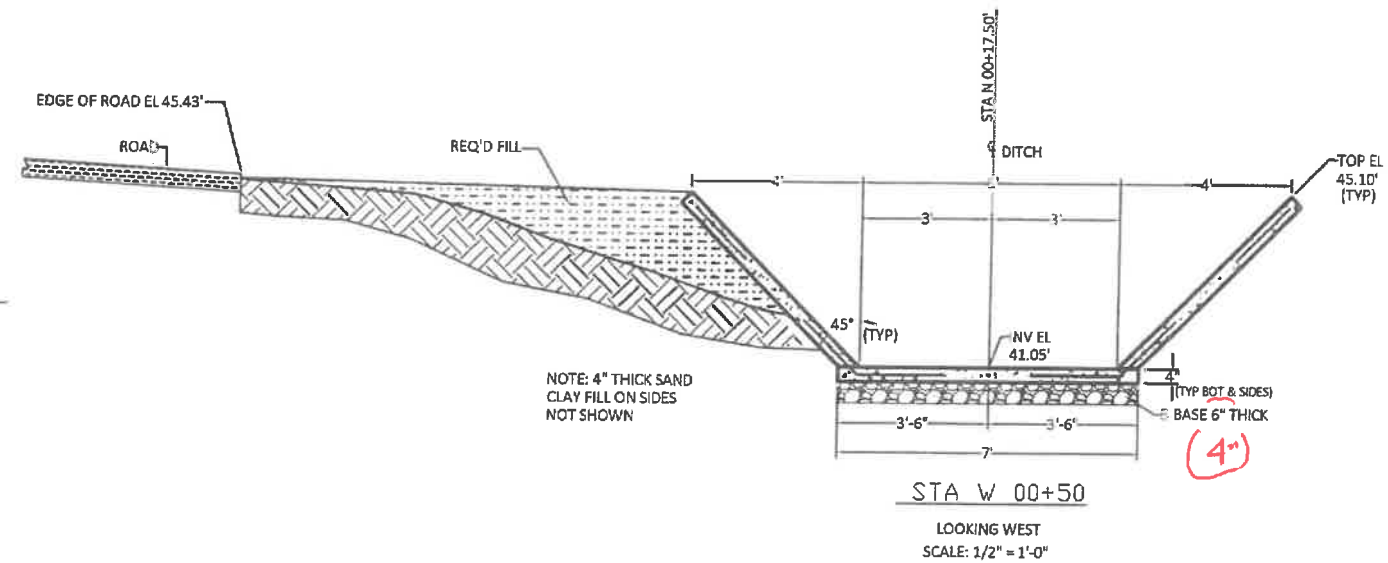
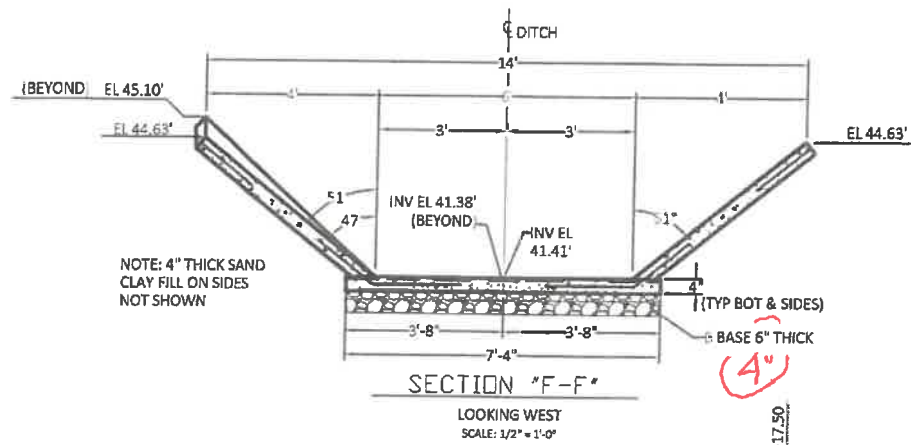
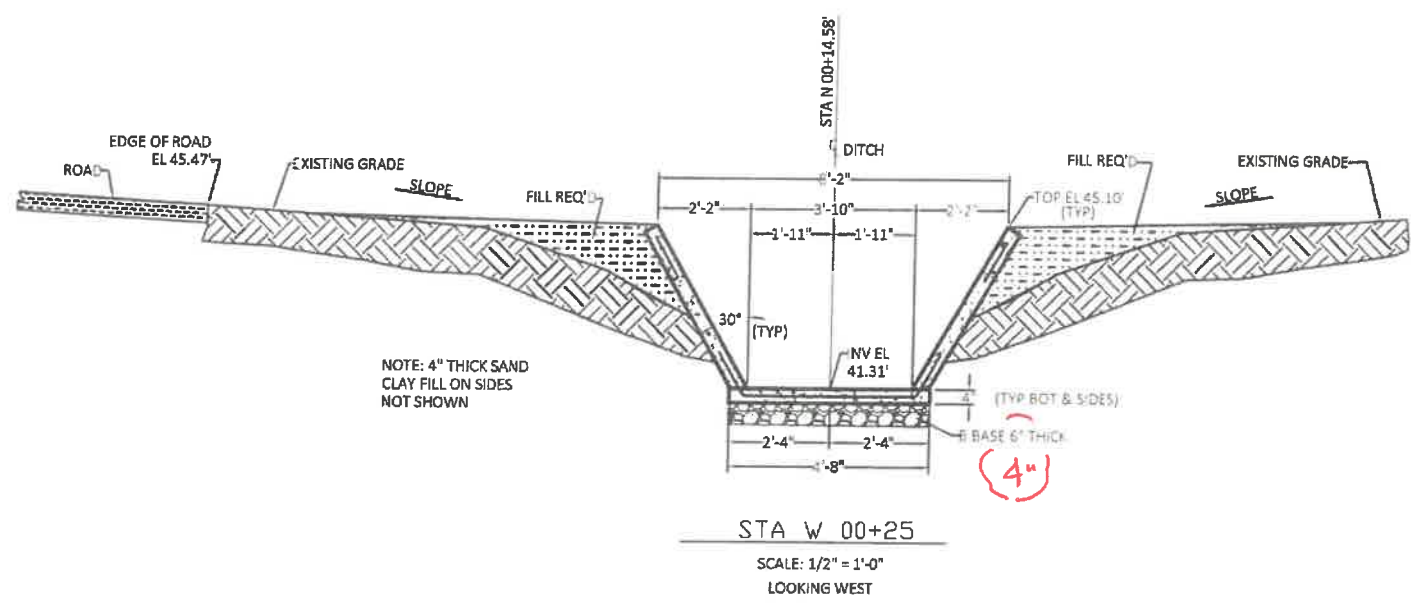
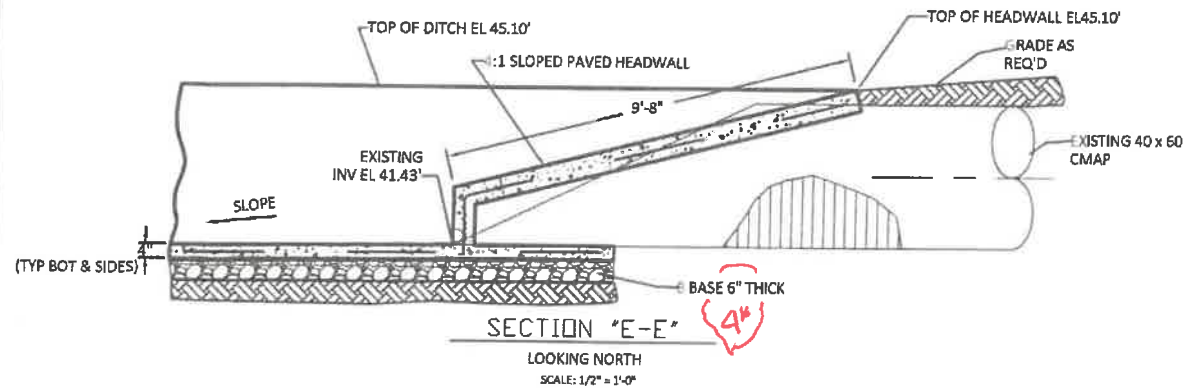
SECTION "D-D"
LOOKING EAST
SCALE: 1/2" = 1'-0"



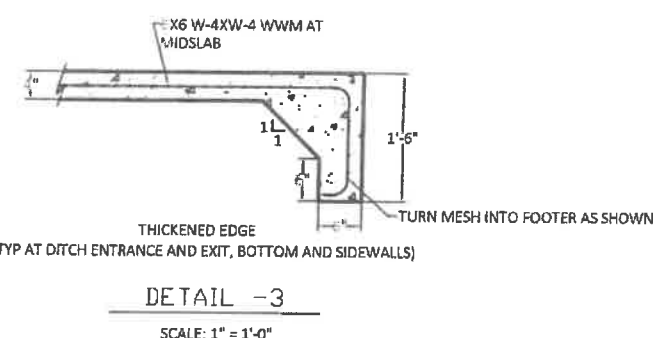
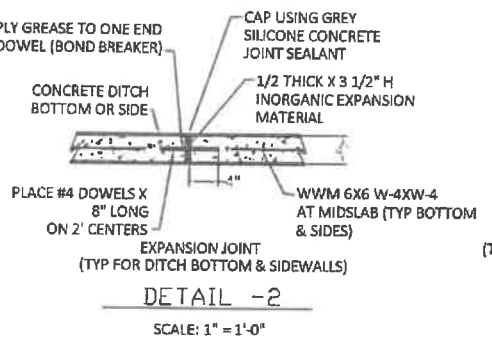
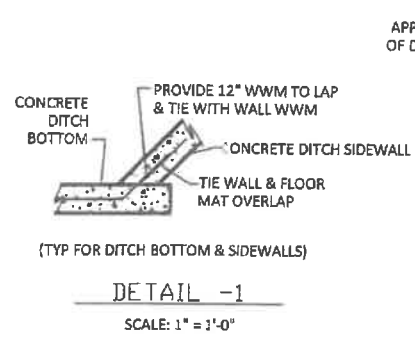
SECTION "B-B"
LOOKING NORTH
SCALE: 1/2" = 1'-0"

7/6/20 CHANGED BASE THICKNESS TO 4"

CITY OF FOLEY			
CR 12 STORMWATER CHANNEL IMPROVEMENTS			
SECTIONS			
May 2020	SCALE: NOTED	DWG -02	REV



- GENERAL NOTES:
1. ALL EXPOSED EDGES TO RECEIVE 1/2" X 45 DEGREE CHAMFER.
 2. CONCRETE TO ACHIEVE 95% OF 3,000PSI IN 28 DAYS.
 3. WIRE MESH REINFORCING STEEL TO BE PLACED MID-SLAB AND SUPPORTED USING WIRE OR PLASTIC CHAIRS.
 4. DITCH BOTTOM AND SIDES TO RECEIVE BROOM FINISH.



CITY OF FOLEY			
CR 12 STORMWATER CHANNEL IMPROVEMENTS			
SECTION & DETAILS			
May 2020	SCALE: NOTED	DWG -03	REV ▲

7/6/20 ▲ CHANGED BASE THICKNESS TO 4"