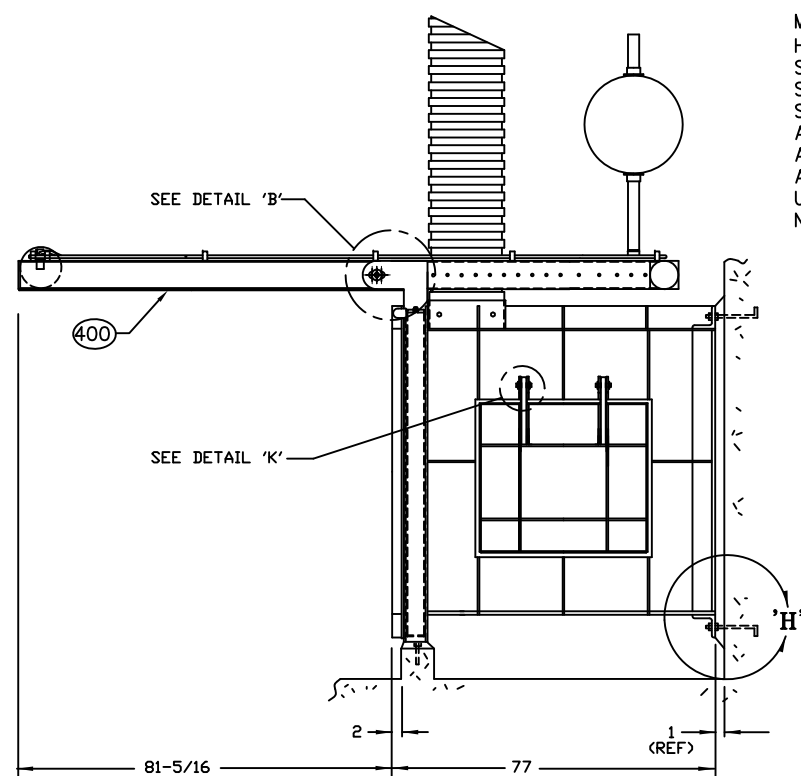
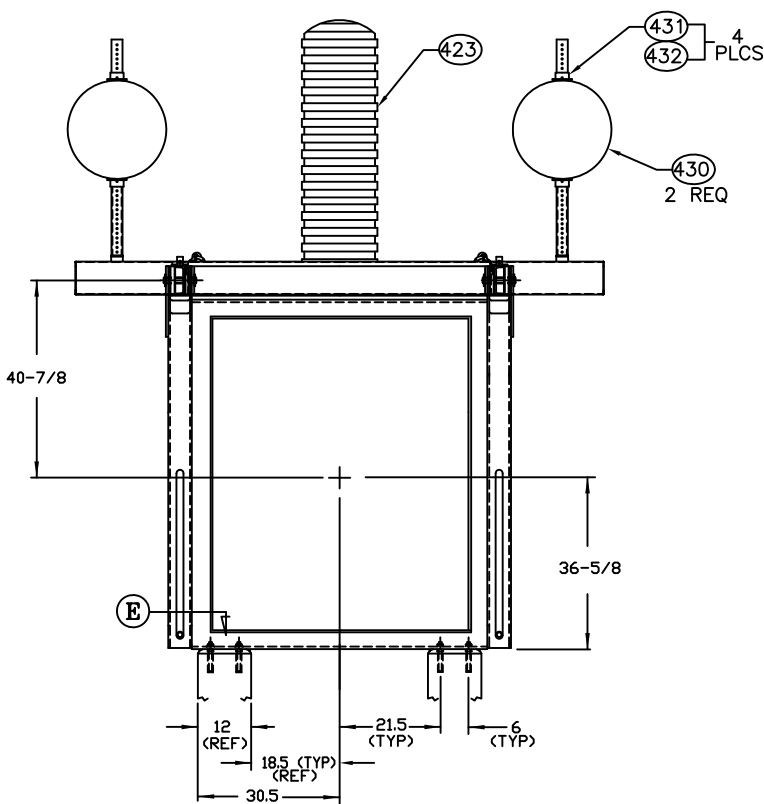


GATE SHOWN IN CLOSED POSITION

* ANCHOR BOLTS ARE DESIGNED FOR USE WITH HILTI HIT RE500 V3 ADHESIVE INJECTION SYSTEM OR EQUAL (ADHESIVE BY CONTRACTOR)

MATERIAL SPECIFICATIONS:
 HARDWARE & FASTENERS = TYPE 316 SS ASTM-F593 / F594
 S-STL ROUND BAR = TYPE 304 ASTM A-276
 S-STL ANCHOR ROD = TYPE 316 SS ASTM-A276
 S-STL ROUND BAR = TYPE 304 SS ASTM-A276
 ALUMINUM SHAPES = 6061-T6
 ALUMINUM FORMED & PLATE = 6061-T6
 ALUMINUM EXTRUSION = 6061-T6
 UHMWPE = ASTM-D1248
 NEOPRENE RUBBER = ASTM-D2000



GATE SHOWN IN OPEN POSITION

400	HEAD WELDMENT	GHI-100027; ALUMINUM PLATE & CHANNEL
401	HEAD FLOAT	GHI-100028; ALUMINUM PIPE
402	PIPE PLUG	3/4 NPT; HEX HEAD; S-STL
403	CABLE	1/8 DIA (REF) GHI-100003
404	ATTACHING HARDWARE	#8-32 NC x 1 LG RD HD SCREW W/NUT, WASHER, & L-WASHER
405	FLOAT RELEASE ROD	GHI-100004; 5/8 DIA ALUM BAR x 139.62 LG
406	SPRING PIN	3/16 DIA x 1-1/2 LG; S-STL
407	BUSHING	IGUS MS-1620-16 (4) & MS-1620-10 (2)
410	FRAME WELDMENT	GHI-100029; ALUM. PLATE AND TUBE
411	WASHER	1/2 DIA; S-STL
412	SIDE FLOAT	GHI-100030; ALUM. PLATE AND TUBE
414	FLOAT ROLLER	GHI-100007; URETHANE RUBBER
415	AXLE PIN	GHI-100008; 1/2 DIA S-STL BAR
416	FLOAT PIN	GHI-100009; 1 DIA S-STL BAR
417	BUSHING	1 DIA SCH 40 PIPE x 5.25 LG; PVC PLASTIC
418	COLLAR	GHI-100010; S-STL
419	WASHER	1 ID x 2.5 OD x 1/16 THK; UHMW
420	COTTER PIN	1/8 DIA x 2-1/2 LG; S-STL
421	FRONT GASKET	GHI-100031; NEOPRENE RUBBER
422	COTTER PIN	3/32 DIA x 1 LG; S-STL
423	VACUUM BREAK VENT	GHI-100032 ALUM; ADS PIPE
424	PIVOT PIN	GHI-100013; S-STL
425	CENTERING WASHER	GHI-100014; NEOPRENE RUBBER
426	SPACER	1.03 ID x 6.0 OD x .125 THK; UHMW
427	ATTACHING HARDWARE	1/2 NC x 2-1/2 HEX HD BOLT W/ W/LW, AND NUT
428	BACK FLOAT BRACKET	GHI-100015; ALUM PLT AND BAR
429	FLOAT ARM	GHI-100016; ALUM BAR
430	FLOAT BALL	GHI-100017-4; POLYETHYLENE & PVC
431	FLOAT STOP	GHI-100018-4; ALUM PIPE & PLT
432	COTTER PIN	5/16 x 4 LG; S-STL
433	ATTACHING HARDWARE	1/2 NC x 1-3/4 LG S-STL HEX HD BOLT W/W. LW & NUT
434	ATTACHING HARDWARE	1/2 NC x 4-3/4 LG S-STL HEX HD BOLT W/ W. LW & NUT
435	WASHER	1/2 DIA; UHMW
440	COVER	GHI-100033; ALUM PLATE & BAR
442	BUSHING	
443	WASHER	1/2 DIA; S-STL
444	COTTER KEY	1/8 DIA; S-STL
445	HINGE PIN	1" DIA x 2-1/2 LG; S-STL
446	P-BULB SEAL	GHI # 7274; NEOPRENE
447	RETAINER	3/16 x 2; S-STL FLAT BAR W/ SLOTS
448	BOLT	5/16 NC x 2 LG; S-STL HEX HD BOLT W/ W. LW & NUT
450	ALL THRD STUD	1/2 NC x 3-1/2 LG; S-STL
*451	ANCHOR ROD	3/4 NC x 10 LG; S-STL
452	CONCRETE ANCHOR	PHILLIPS SRM-12
453	WASHER	1/2 DIA; S-STL
454	WASHER	1/2 DIA; UHMW
455	WASHER	3/4 DIA; S-STL
456	WASHER	3/4 DIA; UHMW
457	ISOLATION SLEEVE	.62 ID x .84 OD x .44 LG; PVC (1/2 DIA SCH 40 PIPE)
458	ISOLATION SLEEVE	.82 ID x 1.05 OD x .44 LG; PVC (3/4 DIA SCH 40 PIPE)
459	HEX NUT	1/2 NC
460	HEX NUT	3/4 NC
461	WASHER - LARGE	5/8 DIA (1-3/4 OD)
462	HEX NUT, SELF LOCK	5/8 NC ; NY-LOC
463	HEX HD BOLT	5/8 NC x 2-1/2 LG S-STL
464	WASHER	5/8 DIA ; UHMW
465	ISOLATION SLEEVE	.71 ID x .84 OD x .44 LG; PVC (1/2 DIA SCH 5 PIPE)

THIS DRAWING IS THE PROPERTY OF GOLDEN HARVEST, INC. THE DESIGN, DATA AND INFORMATION CONTAINED WITHIN IS NOT TO BE USED, DISSEMINATED, LOANED OR REPRODUCED IN WHOLE OR IN PART WITHOUT THE WRITTEN CONSENT OF GOLDEN HARVEST, INC.

GOLDEN HARVEST	
ORIGINAL	JR
CHECKED	
CHECKED	

INSTALLATION NOTES for INSTALLER

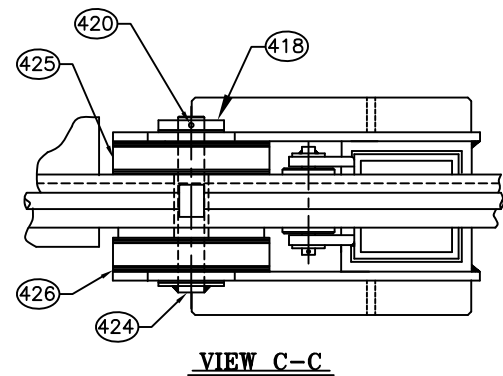
FRAME OR FRAME COMPONENTS, PEDESTAL, WALL BRACKET, STEM GUIDE, AND OPERATOR MUST BE INSTALLED FLAT STRAIGHT AND PLUMB, SHIM AND BRACE AS NECESSARY. SEE OPERATION & MAINTENANCE MANUAL FOR ADDITIONAL INSTALLATION INFORMATION.

TOLERANCES AS FOLLOWS:
 PARALLEL ± 1/8"
 COPLANAR ± 1/8"
 FLAT & STRAIGHT ± 1/16"
 SQUARE ± 1/8"

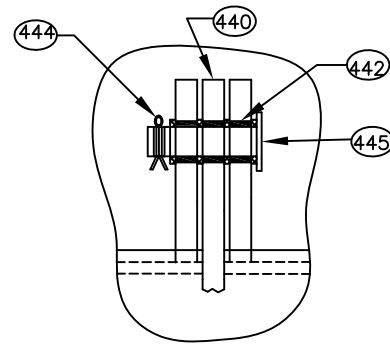
Max Seating Head = 10.0 Ft.*		*Measured From Gate Invert	
60 x 60	GOLDEN HARVEST	BASIN #1 HEADWALL	
GH-35-SRT	GOLDEN GATES	SRT-01 & 02	
SELF-REGULATING	1-800-338-6238	2 - REQ.	
TIDE GATE	P.O. BOX 287 Burlington, WA 98233	Date Drawn: 04-21-20	
Project Description:		Revision:	
SPANISH MOSS TRAIL BASIN IMPROVEMENTS		Revision:	
For:		Revision:	
CITY OF BEAUFORT, SC		Revision:	
Contractor:		G.H. Drawing #: 1A OF 2	
PRE-PURCHASED BY CITY OF BEAUFORT		(4 TOTAL DWGS)	
Engineer:		Contract Sht #:	
INFRASTRUCTURE CONSULTING & ENGINEERING		Scale: Job No.: 18-0583	
Drawn By:	JR/MM	NTS	18-0583

1 CONTRACTOR/ENGINEER NOTE:
 PLEASE CONFIRM OR PROVIDE ALL ELEVATIONS, TRIGGER CLOSE WL & SEATING HEAD PRESSURE.

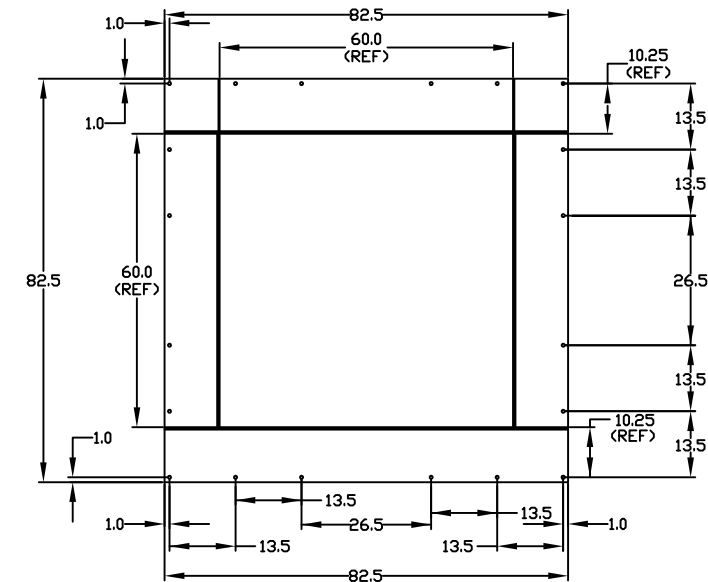
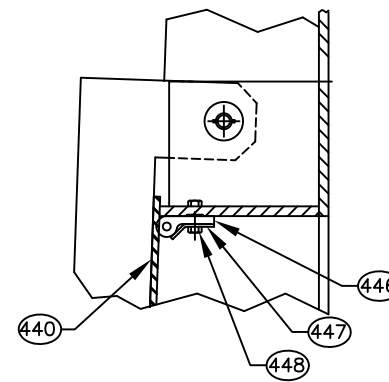
NOTE: FIELD COAT ALUMINUM IN CONTACT WITH CONCRETE WITH BITUMASTIC 50, MIN. 15 MILS DRY



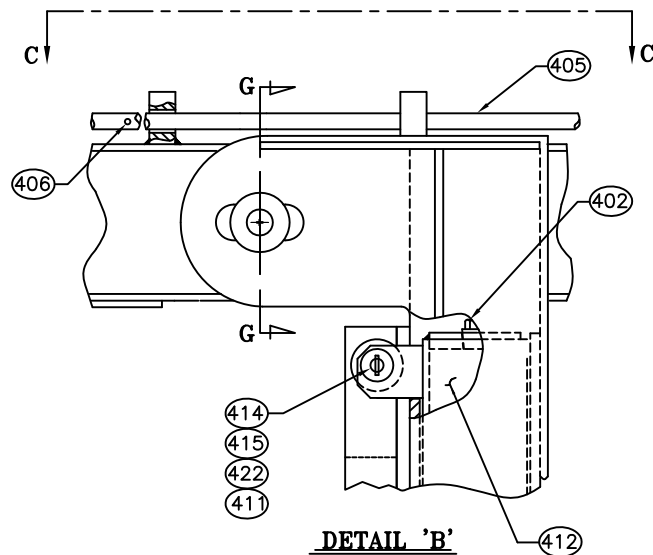
VIEW C-C



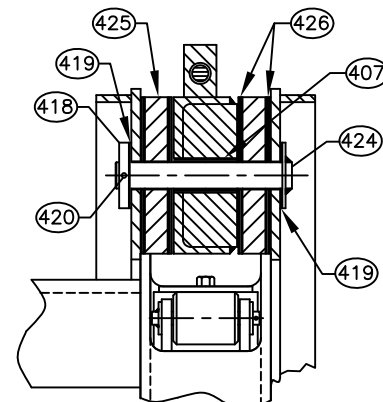
DETAIL 'E'



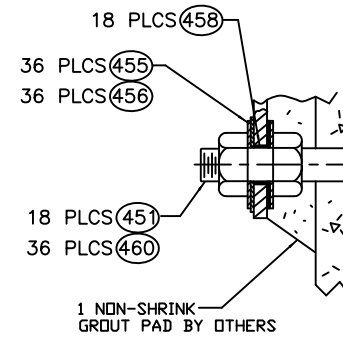
**REAR FLANGE
(ANCHOR LAYOUT)**



DETAIL 'B'

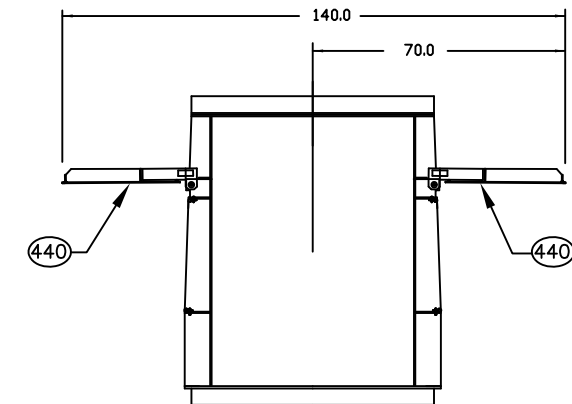


SECTION G-G

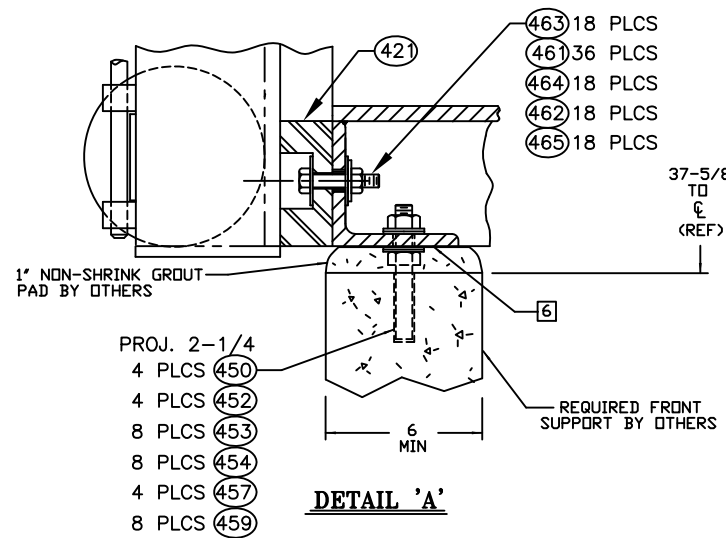


1 NON-SHRINK GROUT PAD BY OTHERS

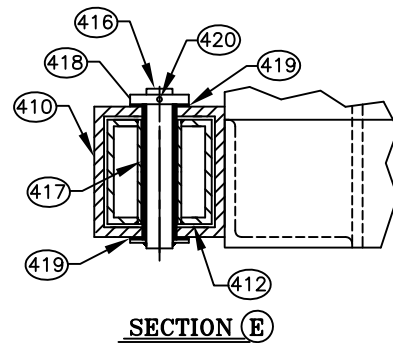
DETAIL 'H'



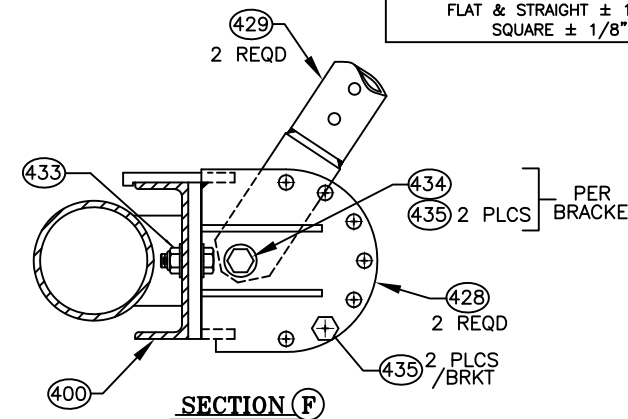
SIDE FLAPS CLEARANCE DIMENSIONS



DETAIL 'A'



SECTION (E)



SECTION (F)

**INSTALLATION NOTES
for INSTALLER**

FRAME OR FRAME COMPONENTS, PEDESTAL, WALL BRACKET, STEM GUIDE, AND OPERATOR MUST BE INSTALLED FLAT STRAIGHT AND PLUMB, SHIM AND BRACE AS NECESSARY.
SEE OPERATION & MAINTENANCE MANUAL FOR ADDITIONAL INSTALLATION INFORMATION.

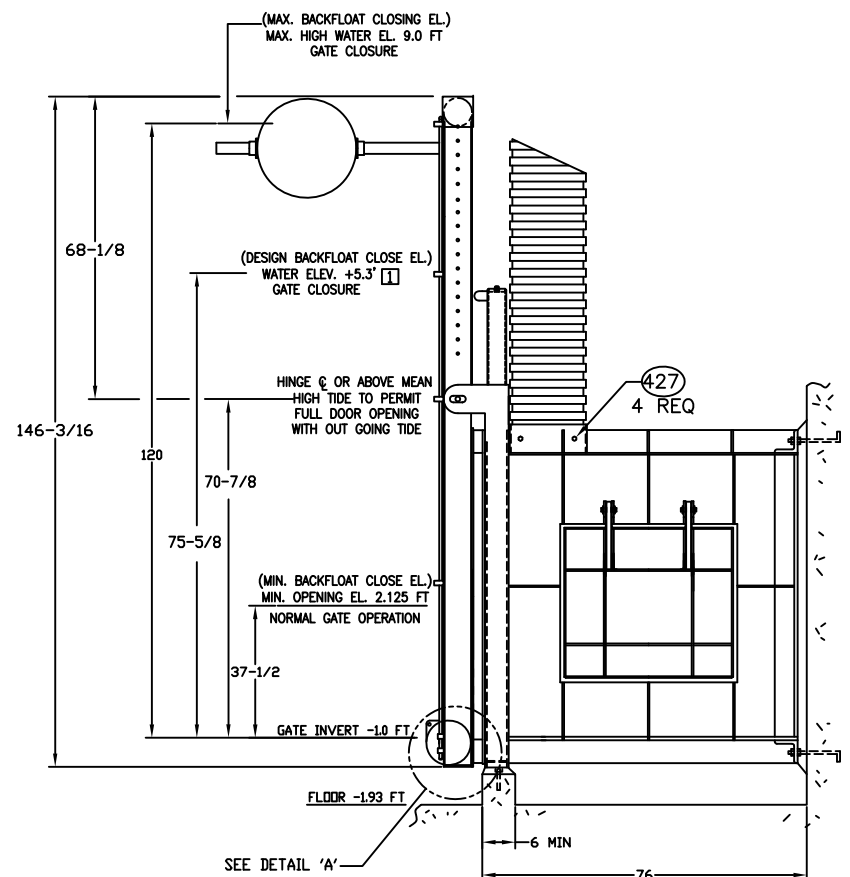
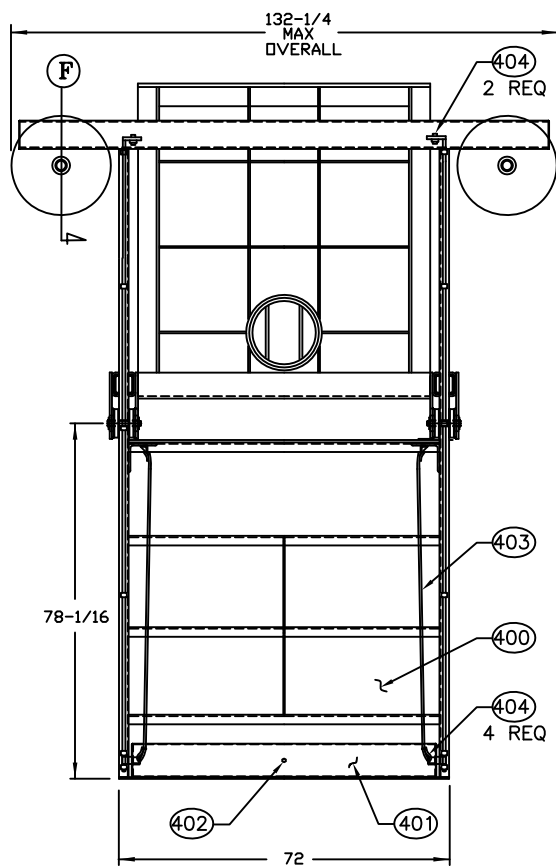
TOLERANCES AS FOLLOWS:

- PARALLEL $\pm 1/8"$
- COPLANAR $\pm 1/8"$
- FLAT & STRAIGHT $\pm 1/16"$
- SQUARE $\pm 1/8"$

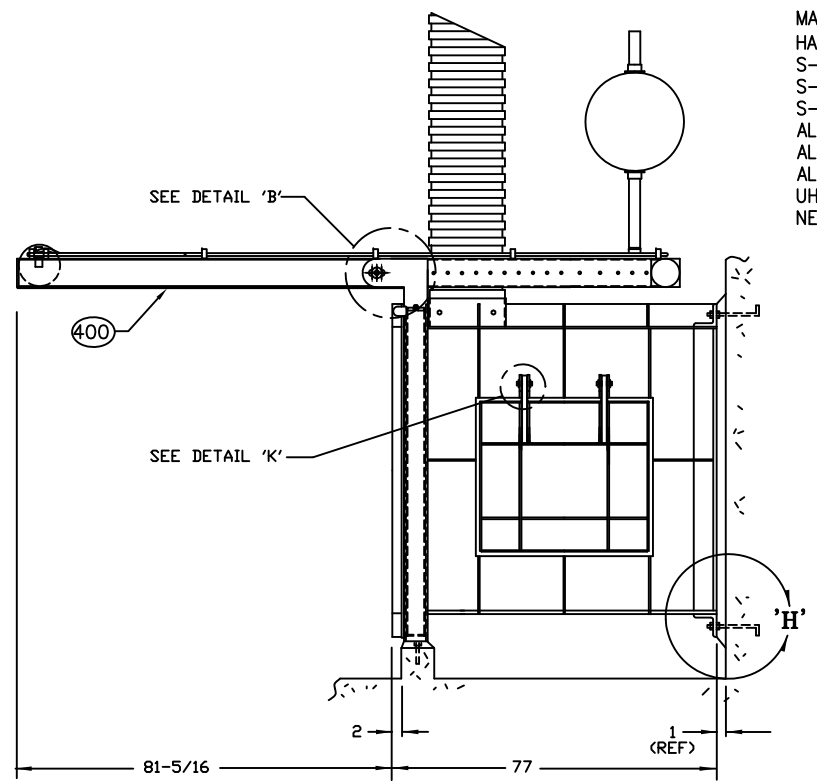
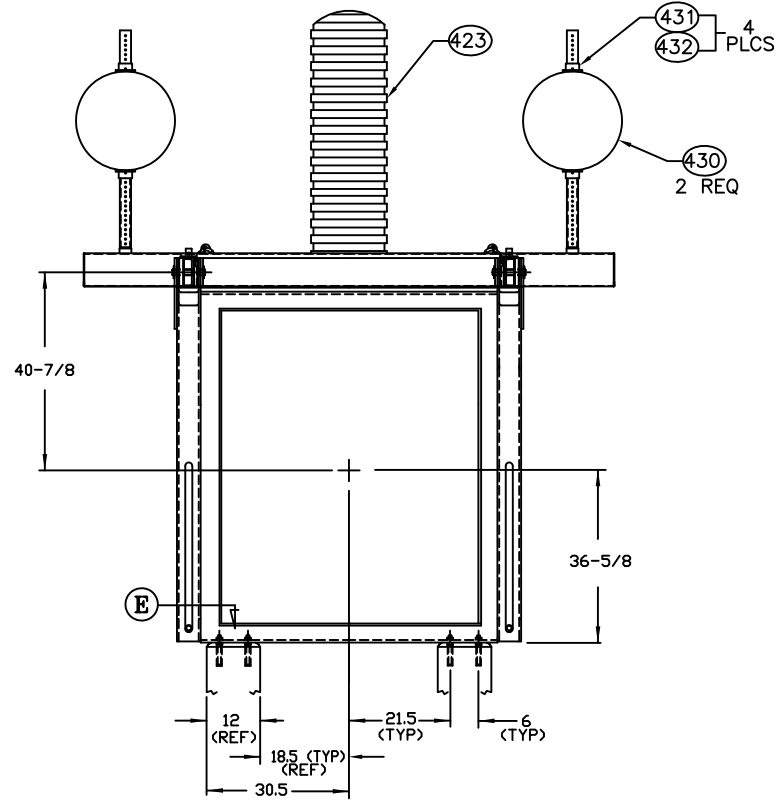
THIS DRAWING IS THE PROPERTY OF GOLDEN HARVEST, INC. THE DESIGN, DATA AND INFORMATION CONTAINED WITHIN IS NOT TO BE USED, DISSEMINATED, LOANED OR REPRODUCED IN WHOLE OR IN PART WITHOUT THE WRITTEN CONSENT OF GOLDEN HARVEST, INC.

GOLDEN HARVEST	
ORIGINAL	JR
CHECKED	
CHECKED	

Max Seating Head = 10.0 Ft.*		*Measured From Gate Invert	
60 x 60 GH-35-SRT SELF-REGULATING TIDE GATE	GOLDEN HARVEST GOLDEN GATES 1-800-338-6238 P.O. BOX 287 Burlington, WA 98233	BASIN #1 HEADWALL SRT-01 & 02 2 - REQ.	
Project Description: SPANISH MOSS TRAIL BASIN IMPROVEMENTS		Date Drawn: 04-21-20	
For: CITY OF BEAUFORT, SC		Revision:	
Contractor: PRE-PURCHASED BY CITY OF BEAUFORT		Revision:	
Engineer: INFRASTRUCTURE CONSULTING & ENGINEERING		Revision: G.H. Drawing #: 1B	
Drawn By: JR/MM	Scale: Job No.: NTS 18-0583	Contract Sht #:	



GATE SHOWN IN CLOSED POSITION



GATE SHOWN IN OPEN POSITION

400	HEAD WELDMENT	GHI-100027; ALUMINUM PLATE & CHANNEL
401	HEAD FLOAT	GHI-100028; ALUMINUM PIPE
402	PIPE PLUG	3/4 NPT; HEX HEAD; S-STL
403	CABLE	1/8 DIA (REF) GHI-100003
404	ATTACHING HARDWARE	#8-32 NC x 1 LG RD HD SCREW W/NUT, WASHER, & L-WASHER
405	FLOAT RELEASE ROD	GHI-100004; 5/8 DIA ALUM BAR x 139.62 LG
406	SPRING PIN	3/16 DIA x 1-1/2 LG; S-STL
407	BUSHING	IGUS MS-1620-16 (4) & MS-1620-10 (2)
410	FRAME WELDMENT	GHI-100029; ALUM. PLATE AND TUBE
411	WASHER	1/2 DIA; S-STL
412	SIDE FLOAT	GHI-100030; ALUM. PLATE AND TUBE
414	FLOAT ROLLER	GHI-100007; URETHANE RUBBER
415	AXLE PIN	GHI-100008; 1/2 DIA S-STL BAR
416	FLOAT PIN	GHI-100009; 1 DIA S-STL BAR
417	BUSHING	1 DIA SCH 40 PIPE x 5.25 LG; PVC PLASTIC
418	COLLAR	GHI-100010; S-STL
419	WASHER	1 ID x 2.5 OD x 1/16 THK; UHMW
420	COTTER PIN	1/8 DIA x 2-1/2 LG; S-STL
421	FRONT GASKET	GHI-100031; NEOPRENE RUBBER
422	COTTER PIN	3/32 DIA x 1 LG; S-STL
423	VACUUM BREAK VENT	GHI-100032 ALUM; ADS PIPE
424	PIVOT PIN	GHI-100013; S-STL
425	CENTERING WASHER	GHI-100014; NEOPRENE RUBBER
426	SPACER	1.03 ID x 6.0 OD x .125 THK; UHMW
427	ATTACHING HARDWARE	1/2 NC x 2-1/2 HEX HD BOLT W/ W,LW, AND NUT
428	BACK FLOAT BRACKET	GHI-100015; ALUM PLT AND BAR
429	FLOAT ARM	GHI-100016; ALUM BAR
430	FLOAT BALL	GHI-100017-4; POLYETHYLENE & PVC
431	FLOAT STOP	GHI-100018-4; ALUM PIPE & PLT
432	COTTER PIN	5/16 x 4 LG; S-STL
433	ATTACHING HARDWARE	1/2 NC x 1-3/4 LG S-STL HEX HD BOLT W/W, LW & NUT
434	ATTACHING HARDWARE	1/2 NC x 4-3/4 LG S-STL HEX HD BOLT W/ W, LW & NUT
435	WASHER	1/2 DIA; UHMW
440	COVER	GHI-100033; ALUM PLATE & BAR
442	BUSHING	
443	WASHER	1/2 DIA; S-STL
444	COTTER KEY	1/8 DIA; S-STL
445	HINGE PIN	1" DIA x 2-1/2 LG; S-STL
446	P-BULB SEAL	GHI # 7274; NEOPRENE
447	RETAINER	3/16 x 2; S-STL FLAT BAR W/ SLOTS
448	BOLT	5/16 NC x 2 LG; S-STL HEX HD BOLT W/ W, LW & NUT
450	ALL THRD STUD	1/2 NC x 3-1/2 LG; S-STL
*451	ANCHOR ROD	3/4 NC x 10 LG; S-STL
452	CONCRETE ANCHOR	PHILLIPS SRM-12
453	WASHER	1/2 DIA; S-STL
454	WASHER	1/2 DIA; UHMW
455	WASHER	3/4 DIA; S-STL
456	WASHER	3/4 DIA; UHMW
457	ISOLATION SLEEVE	.62 ID x .84 OD x .44 LG; PVC (1/2 DIA SCH 40 PIPE)
458	ISOLATION SLEEVE	.82 ID x 1.05 OD x .44 LG; PVC (3/4 DIA SCH 40 PIPE)
459	HEX NUT	1/2 NC
460	HEX NUT	3/4 NC
461	WASHER - LARGE	5/8 DIA (1-3/4 OD)
462	HEX NUT, SELF LOCK	5/8 NC ; NY-LOC
463	HEX HD BOLT	5/8 NC x 2-1/2 LG S-STL
464	WASHER	5/8 DIA ; UHMW
465	ISOLATION SLEEVE	.71 ID x .84 OD x .44 LG; PVC (1/2 DIA SCH 5 PIPE)

* ANCHOR BOLTS ARE DESIGNED FOR USE WITH HILTI HIT RE500 V3 ADHESIVE INJECTION SYSTEM OR EQUAL (ADHESIVE BY CONTRACTOR)

MATERIAL SPECIFICATIONS:
 HARDWARE & FASTENERS = TYPE 316 SS ASTM-F593 / F594
 S-STL ROUND BAR = TYPE 304 ASTM A-276
 S-STL ANCHOR ROD = TYPE 316 SS ASTM-A276
 S-STL ROUND BAR = TYPE 304 SS ASTM-A276
 ALUMINUM SHAPES = 6061-T6
 ALUMINUM FORMED & PLATE = 6061-T6
 ALUMINUM EXTRUSION = 6061-T6
 UHMWPE = ASTM-D1248
 NEOPRENE RUBBER = ASTM-D2000

THIS DRAWING IS THE PROPERTY OF GOLDEN HARVEST, INC. THE DESIGN, DATA AND INFORMATION CONTAINED WITHIN IS NOT TO BE USED, DISSEMINATED, LOANED OR REPRODUCED IN WHOLE OR IN PART WITHOUT THE WRITTEN CONSENT OF GOLDEN HARVEST, INC.

GOLDEN HARVEST	
ORIGINAL	JR
CHECKED	
CHECKED	

INSTALLATION NOTES for INSTALLER

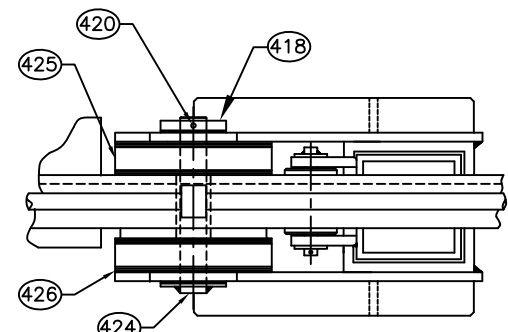
FRAME OR FRAME COMPONENTS, PEDESTAL, WALL BRACKET, STEM GUIDE, AND OPERATOR MUST BE INSTALLED FLAT STRAIGHT AND PLUMB, SHIM AND BRACE AS NECESSARY.
 SEE OPERATION & MAINTENANCE MANUAL FOR ADDITIONAL INSTALLATION INFORMATION.

TOLERANCES AS FOLLOWS:
 PARALLEL ±1/8"
 COPLANAR ± 1/8"
 FLAT & STRAIGHT ± 1/16"
 SQUARE ± 1/8"

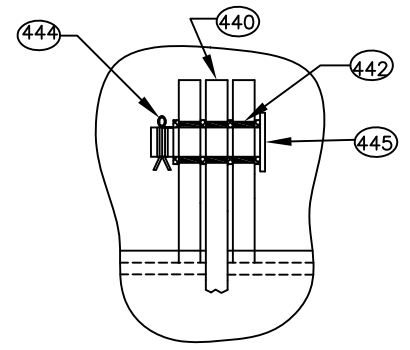
Max Seating Head = 10.0 Ft.*		*Measured From Gate Invert	
60 x 60	GOLDEN HARVEST	BASIN #1	
GH-35-SRT	GOLDEN GATES	HEADWALL	
SELF-REGULATING	1-800-338-6238	SRT-201, 02 & 03	
TIDE GATE	P.O. BOX 287 Burlington, WA 98233	3 - REQ.	
Project Description:		Date Drawn:	
SPANISH MOSS TRAIL BASIN IMPROVEMENTS		04-21-20	
For:		Revision:	
CITY OF BEAUFORT, SC		Revision:	
Contractor:		Revision:	
PRE-PURCHASED BY CITY OF BEAUFORT		G.H. Drawing #:	
Engineer:		2A	
INFRASTRUCTURE CONSULTING & ENGINEERING			
Drawn By:	JR/MM	Scale:	Job No.:
		NTS	18-0583
			Contract Sht #:

1 CONTRACTOR/ENGINEER NOTE:
 PLEASE CONFIRM OR PROVIDE ALL ELEVATIONS, TRIGGER CLOSE WL & SEATING HEAD PRESSURE.

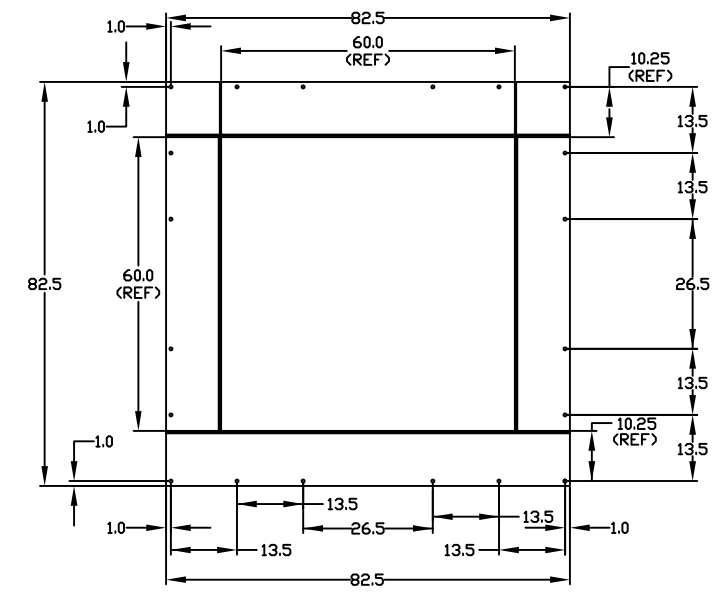
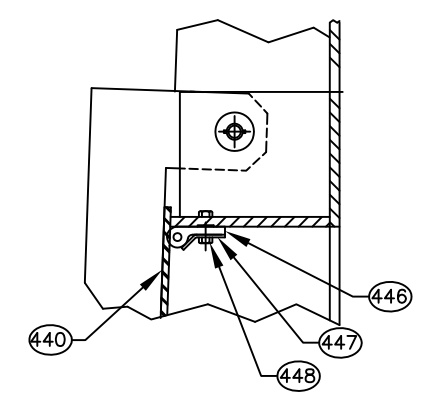
NOTE: FIELD COAT ALUMINUM IN CONTACT WITH CONCRETE WITH BITUMASTIC 50, MIN. 15 MILS DRY



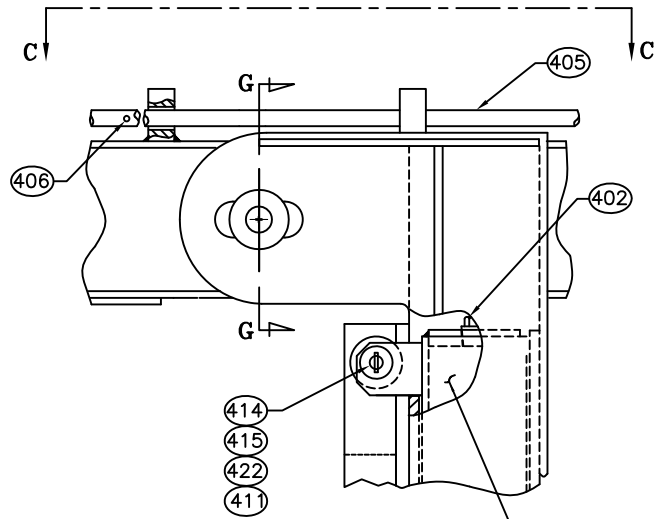
VIEW C-C



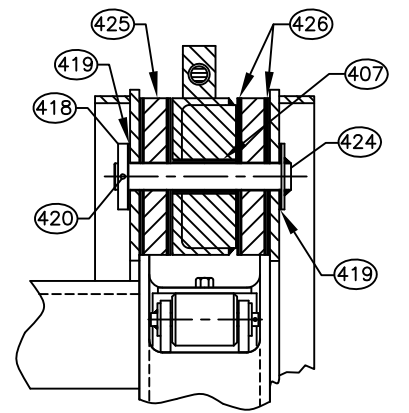
DETAIL 'E'



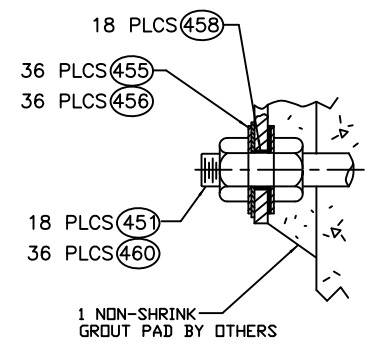
**REAR FLANGE
(ANCHOR LAYOUT)**



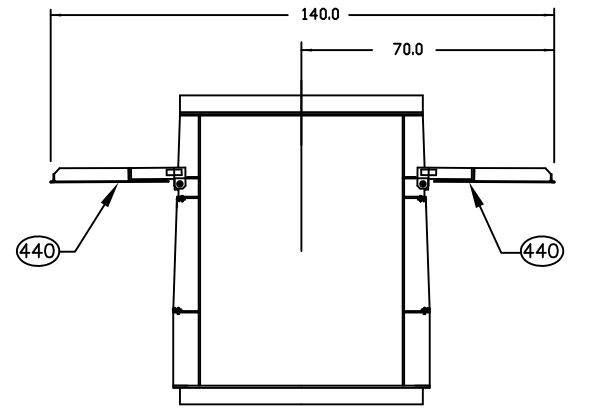
DETAIL 'B'



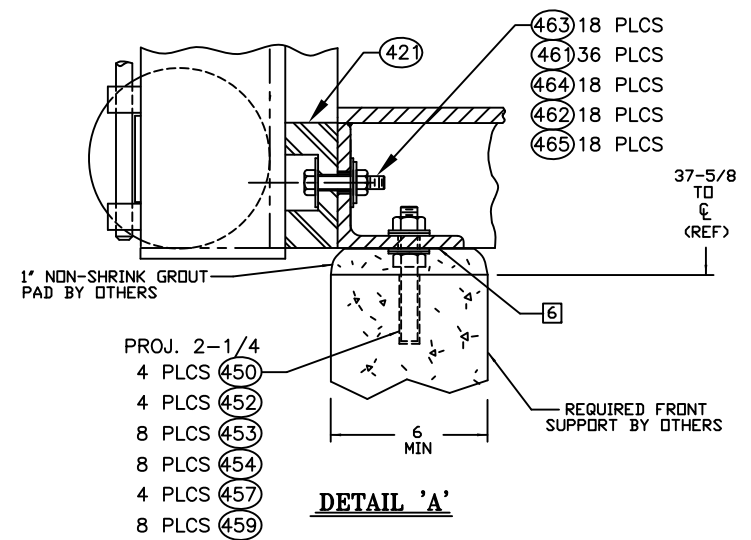
SECTION G-G



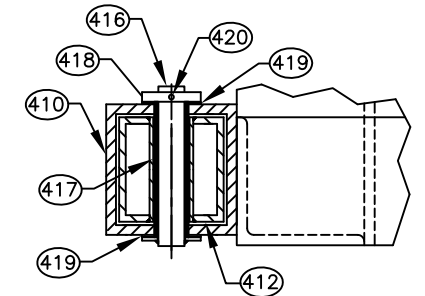
DETAIL 'H'



SIDE FLAPS CLEARANCE DIMENSIONS



DETAIL 'A'



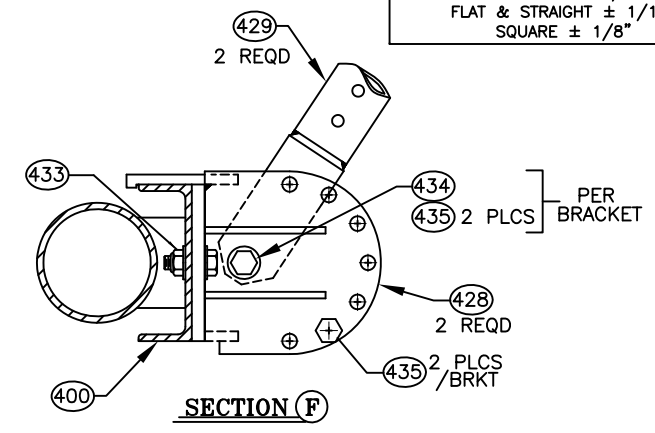
SECTION E

**INSTALLATION NOTES
for INSTALLER**

FRAME OR FRAME COMPONENTS, PEDESTAL, WALL BRACKET, STEM GUIDE, AND OPERATOR MUST BE INSTALLED FLAT STRAIGHT AND PLUMB, SHIM AND BRACE AS NECESSARY. SEE OPERATION & MAINTENANCE MANUAL FOR ADDITIONAL INSTALLATION INFORMATION.

TOLERANCES AS FOLLOWS:

PARALLEL $\pm 1/8"$
 COPLANAR $\pm 1/8"$
 FLAT & STRAIGHT $\pm 1/16"$
 SQUARE $\pm 1/8"$



SECTION F

THIS DRAWING IS THE PROPERTY OF GOLDEN HARVEST, INC. THE DESIGN, DATA AND INFORMATION CONTAINED WITHIN IS NOT TO BE USED, DISSEMINATED, LOANED OR REPRODUCED IN WHOLE OR IN PART WITHOUT THE WRITTEN CONSENT OF GOLDEN HARVEST, INC.

GOLDEN HARVEST	
ORIGINAL	JR
CHECKED	
CHECKED	

Max Seating Head = 10.0 Ft.*		*Measured From Gate Invert	
60 x 60 GH-35-SRT SELF-REGULATING TIDE GATE	GOLDEN HARVEST GOLDEN GATES 1-800-338-6238 P.O. BOX 287 Burlington, WA 98233	BASIN #1 HEADWALL SRT-201, 02 & 03 3 - REQ.	
Project Description: SPANISH MOSS TRAIL BASIN IMPROVEMENTS		Date Drawn: 04-21-20	
For: CITY OF BEAUFORT, SC		Revision:	
Contractor: PRE-PURCHASED BY CITY OF BEAUFORT		Revision:	
Engineer: INFRASTRUCTURE CONSULTING & ENGINEERING		Revision: G.H. Drawing #: 2B	
Drawn By: JR/MM	Scale: NTS	Job No.: 18-0583	Contract Sht #: