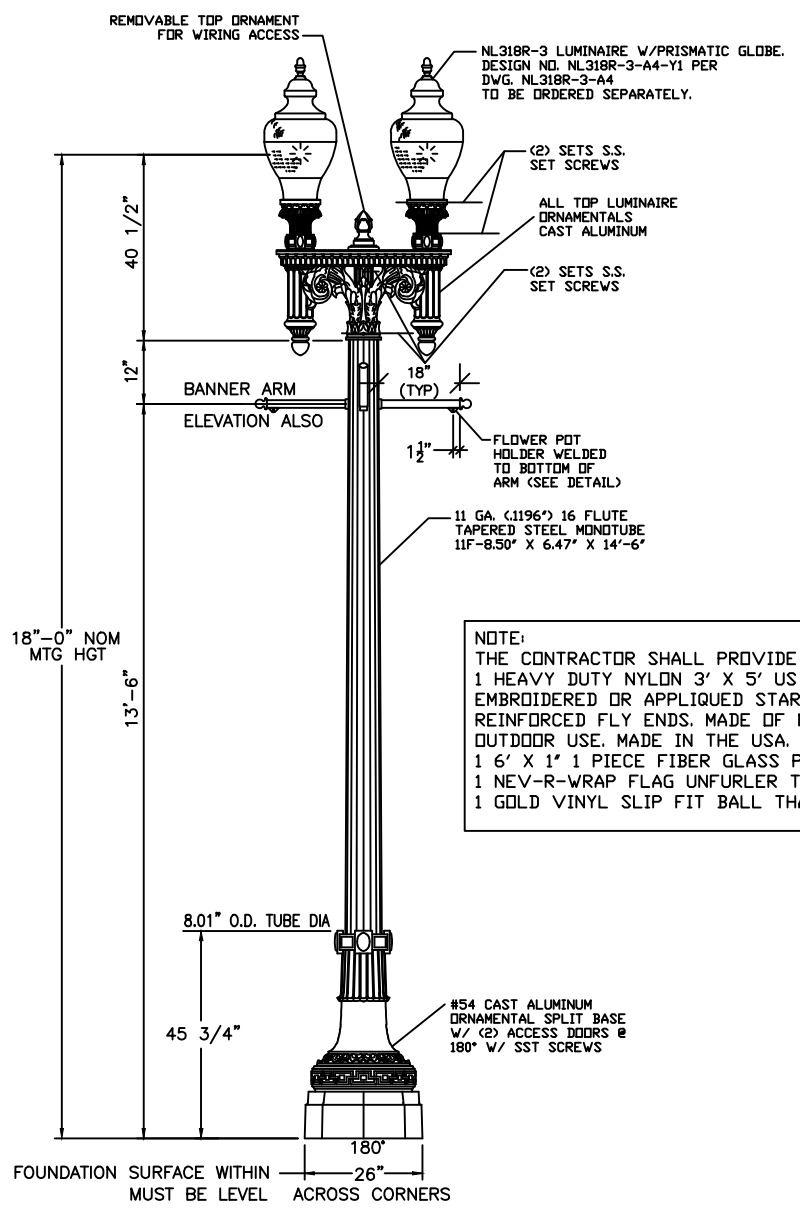


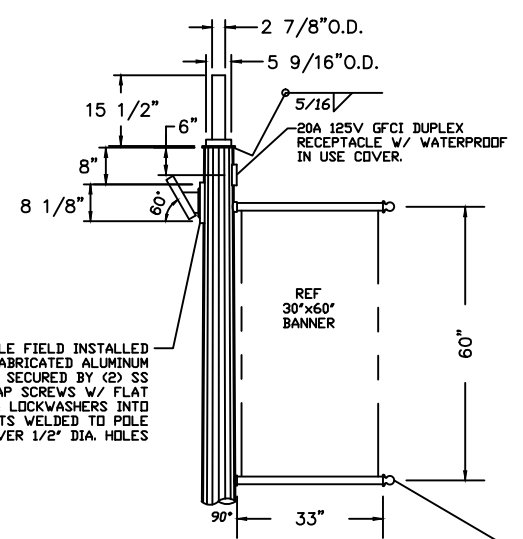
MATERIAL SPECIFICATIONS

| | |
|------------------|-------------------------------------|
| MONOTUBE | EQUAL TO ASTM-A595 GR A |
| PLATES | ASTM-A36 |
| TUBING | ASTM-A513 |
| PIPE | ASTM-A53 GRB, A501 |
| ALUM CASTINGS | ASTM B26 356.0 |
| HANDHOLE FRAME | ASTM-A502 GR50/A709 GR50 |
| HANDHOLE COVER | C1010 STEEL |
| ALUM PLATE, PIPE | ASTM B209, 210, 221, 241 6061, 6063 |
| ANCHOR BOLTS | ASTM-F1554 GR55 |
| ANCHOR BOLT NUTS | ASTM-A563 GRA |
| FLAT WASHERS | ASTM-F436 |
| SST HARDWARE | A193-300 SERIES (18-8) |
| HARDWARE FINISH | GALVANIZED ASTM-A153 |
| STRUCTURE FINISH | GALVANIZED ASTM-A123 |
| FINISH | POWDER OVER GALV. CANTON CBD GREEN |

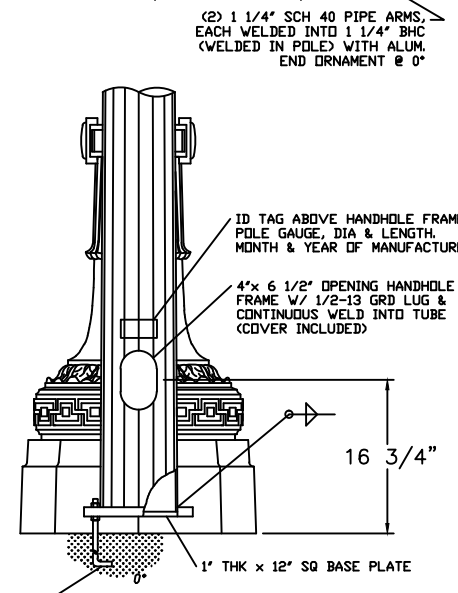
STRUCTURE DESIGNED IN ACCORDANCE WITH 1994 AASHTO STANDARD SPECIFICATIONS FOR STRUCTURAL SUPPORTS FOR HIGHWAY TRAFFIC SIGNS, LUMINAIRES & TRAFFIC SIGNALS FOR 90 MPH WIND ZONE.



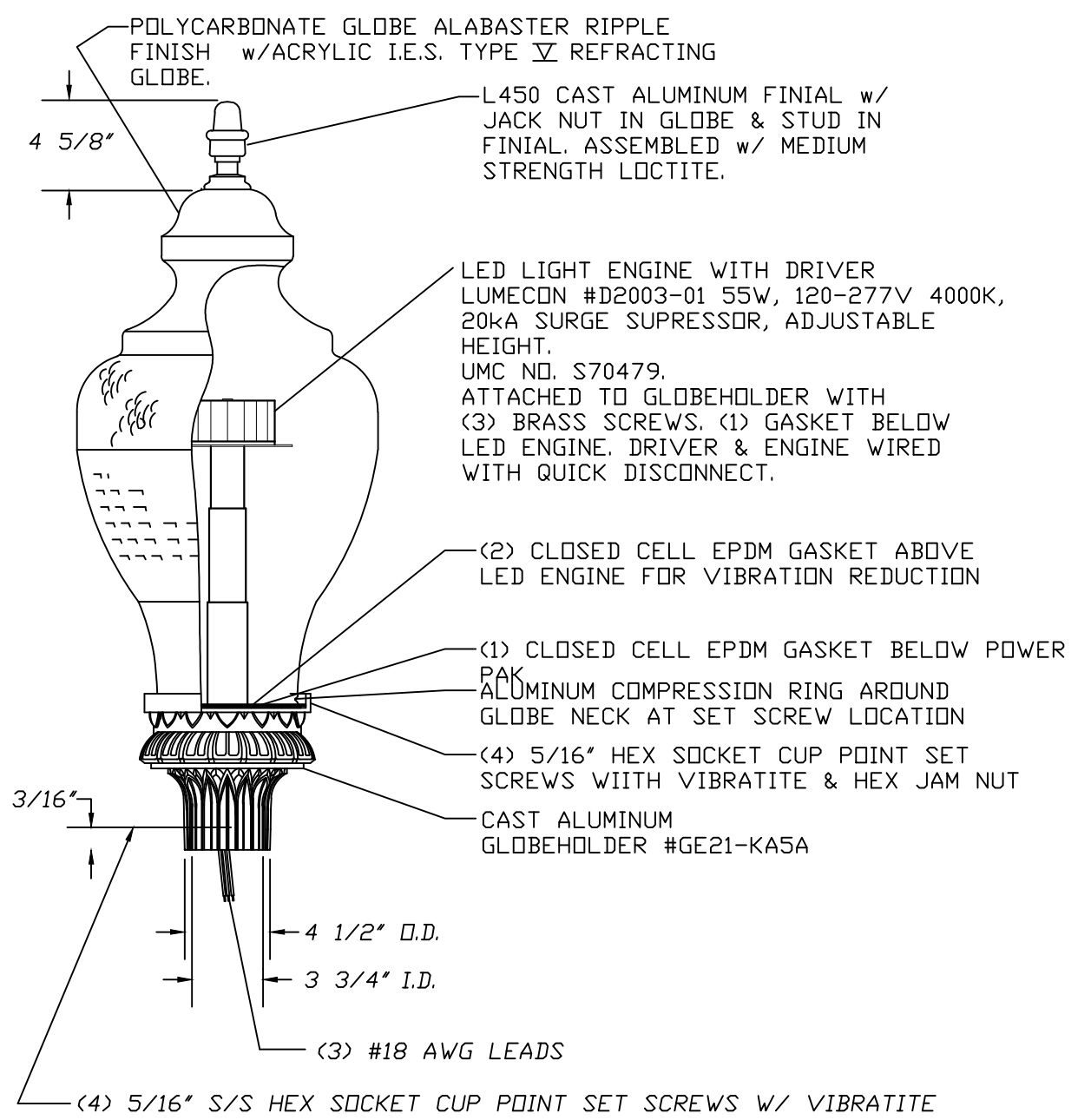
NOTE:
 THE CONTRACTOR SHALL PROVIDE PER LIGHT POLE:
 1 HEAVY DUTY NYLON 3' X 5' US FLAG CONSTRUCTED WITH EMBROIDERED OR APPLIED STARS, SEWN STRIPS AND REINFORCED FLY ENDS. MADE OF NYLON, MANUFACTURED FOR OUTDOOR USE. MADE IN THE USA.
 1 6' X 1' 1 PIECE FIBER GLASS POLE.
 1 NEV-R-WRAP FLAG UNFURLER THAT FITS 1" POLE DIAMETER.
 1 GOLD VINYL SLIP FIT BALL THAT FITS 1" POLE DIAMETER.



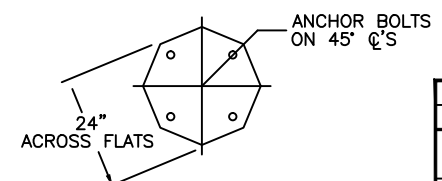
REMOVABLE FIELD INSTALLED CAST & FABRICATED ALUMINUM FLAGHOLDER SECURED BY (2) SS 3/8" DIA. CAP SCREWS W/ FLAT WASHER & LOCKWASHERS INTO HEX NUTS WELDED TO POLE CENTERED OVER 1/2" DIA. HOLES



NOTES:
 1. HD GALV & POWDER COATED FINISH, CITY OF CANTON CBD GREEN.



NOTES:
 1. GLOBEHOLDER & FINIAL POWDER COATED CITY OF CANTON CBD GREEN.
 2. GLOBE STREET SIDE POSITIONED BETWEEN TWO LED BARS. STREET SIDE OF LUMINAIRE MARKED ON OUTSIDE OF GLOBEHOLDER.



| | | | | | |
|---|----------------------|-----------------|---------------|-------------|----------------------|
| STATE: OHIO | REQ# / SO#: NOH54053 | REV | DESCRIPTION | DATE | REV BY/CHK BY |
| PROJECT NAME: NOSTALGIA_LUMINAIRE_NL318R_WITH_LED_&_GE21_KA5A_GLOBEHOLDER | | | | | |
| DESIGN NUMBER B2473-54-B37-Y1 | | | | | |
| DESIGNED BY: DGMR | | CHECKED BY: EEM | DATE: 3/17/15 | SCALE: NONE | ENG REF: NL318R-3-A3 |
| N2473-54-B37 | | REVISION: REV | DATE: 8/23/16 | SHEET: 1 | SHT OF SHTS: 1 |

| | | | | | |
|---|----------------------|---------------|-------------|-------------|----------------------|
| STATE: OHIO | REQ# / SO#: NOH54508 | REV | DESCRIPTION | DATE | REV BY/CHK BY |
| PROJECT NAME: NOSTALGIA_LUMINAIRE_NL318R_WITH_LED_&_GE21_KA5A_GLOBEHOLDER | | | | | |
| DESIGN NUMBER NL318R-3-A4-Y1 | | | | | |
| DESIGNED BY: - | | CHECKED BY: - | DATE: - | SCALE: NONE | ENG REF: NL318R-3-A3 |
| NL318R-3-A4 | | REVISION: - | DATE: - | SHEET: - | SHT OF SHTS: - |

OFFICE OF THE CITY ENGINEER
CANTON, OHIO
DANIEL J. MOEGLIN, P.E., CITY ENGINEER
 2436 30th St. NE 44705 : 330-489-3381 : www.cantonohio.gov/engineering

APPROVED DATE: MARCH 2014
 APPROVED BY: EEM
 DRAWING FILE NAME: ce_61-65_LIGHTPOLES.dwg

| REVISIONS | | |
|----------------------------|----------|-----|
| DESCRIPTION | DATE | BY |
| INSERTED UM DRAWINGS | 4/17/15 | EEM |
| N2473-54-B37 & NL318R-3-A4 | | |
| FLOWER POT HOLDERS ADDED | 8/23/16 | EEM |
| LED ENGINE UPDATE | 7/6/2018 | RMB |

STANDARD DRAWING NO. 63
NOSTALGIA LIGHT POLE & LUMINAIRE
 SHEET 3 OF 5