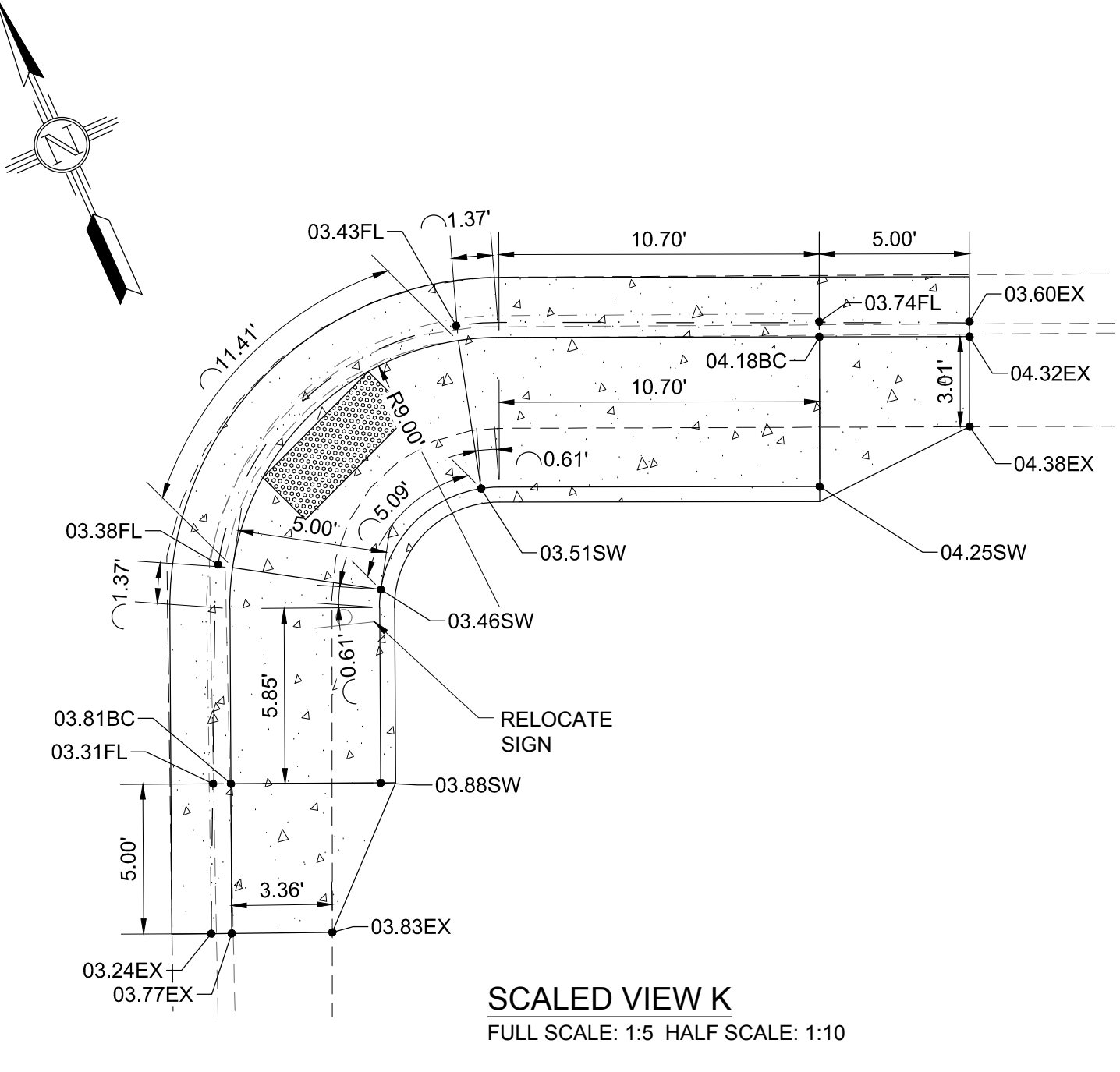
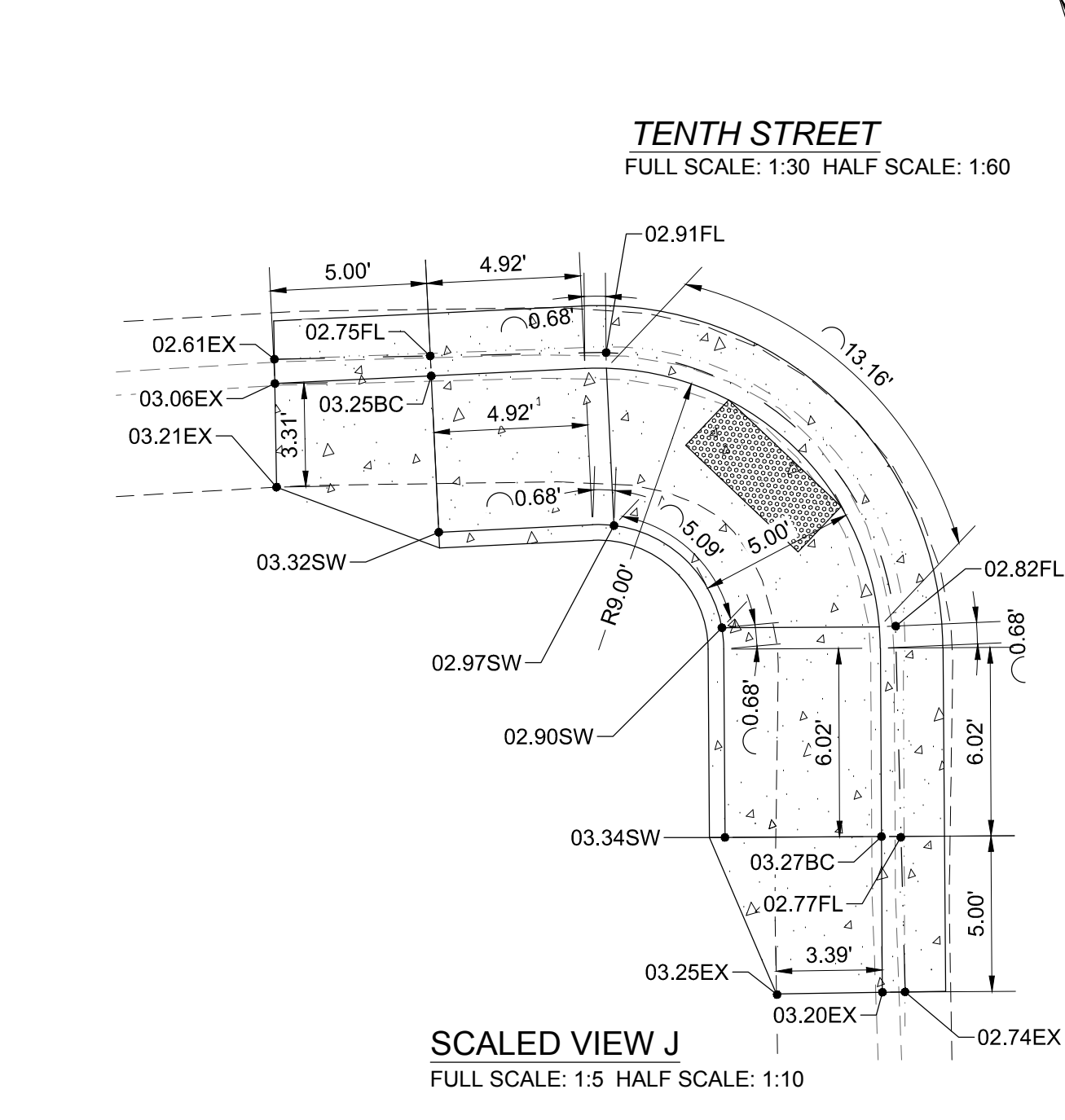
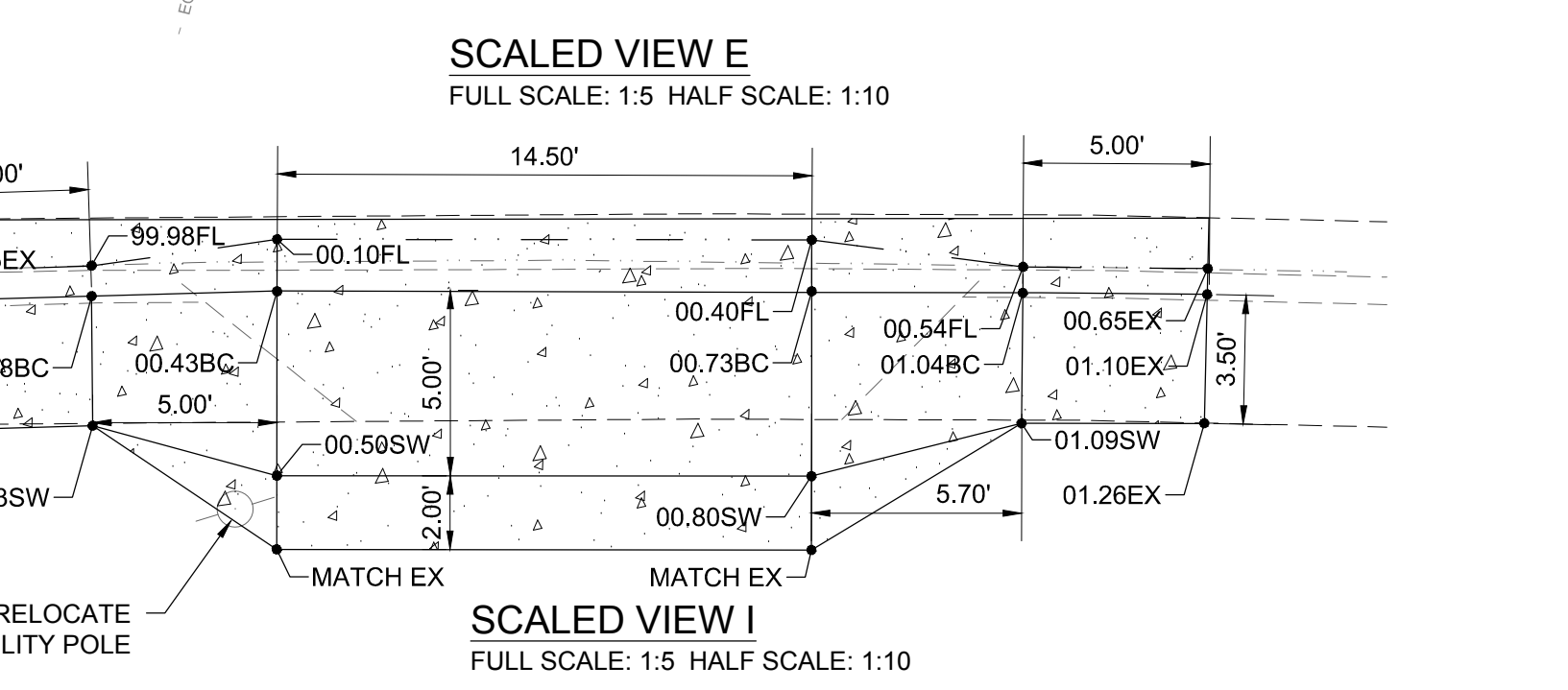
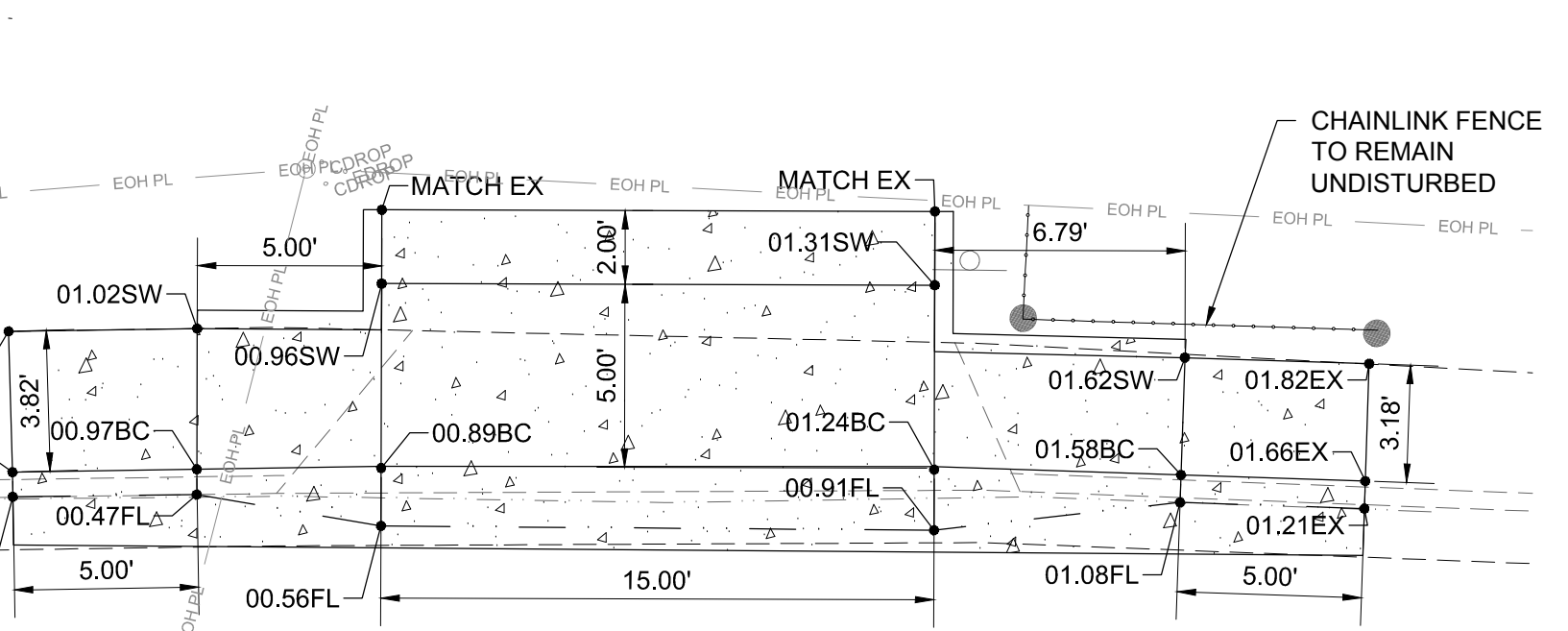
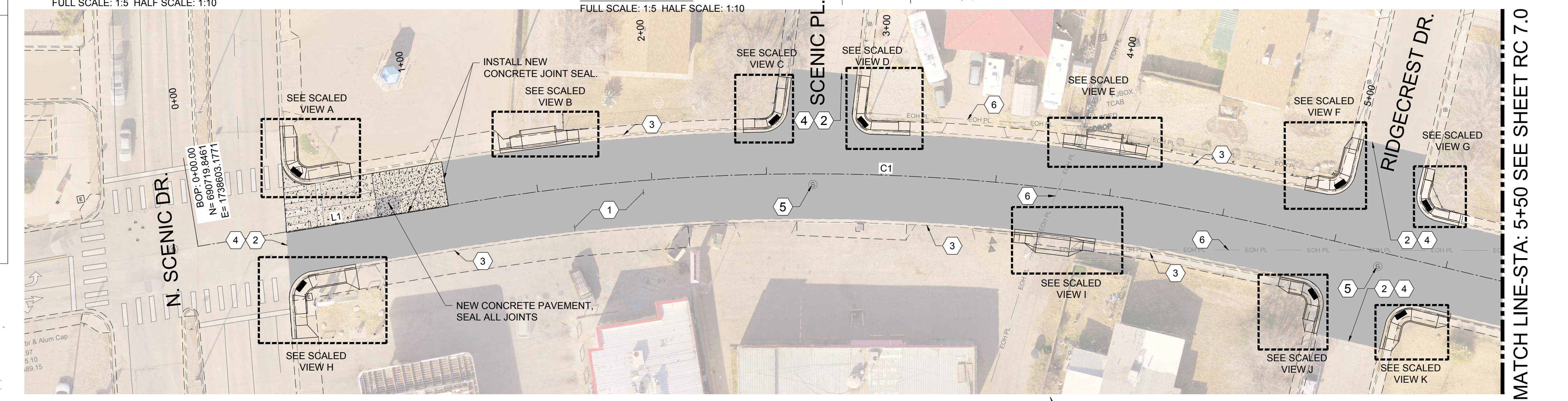
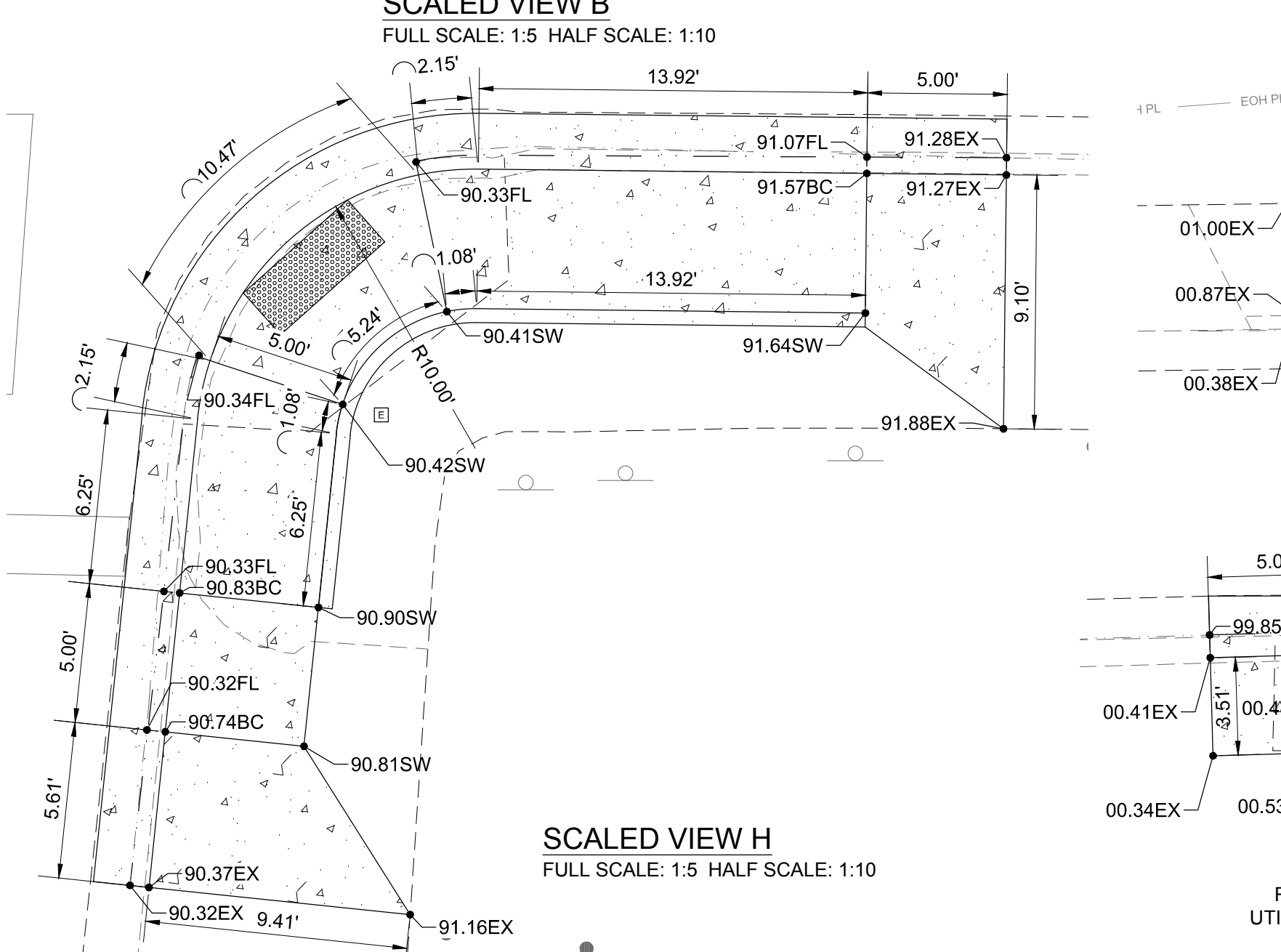
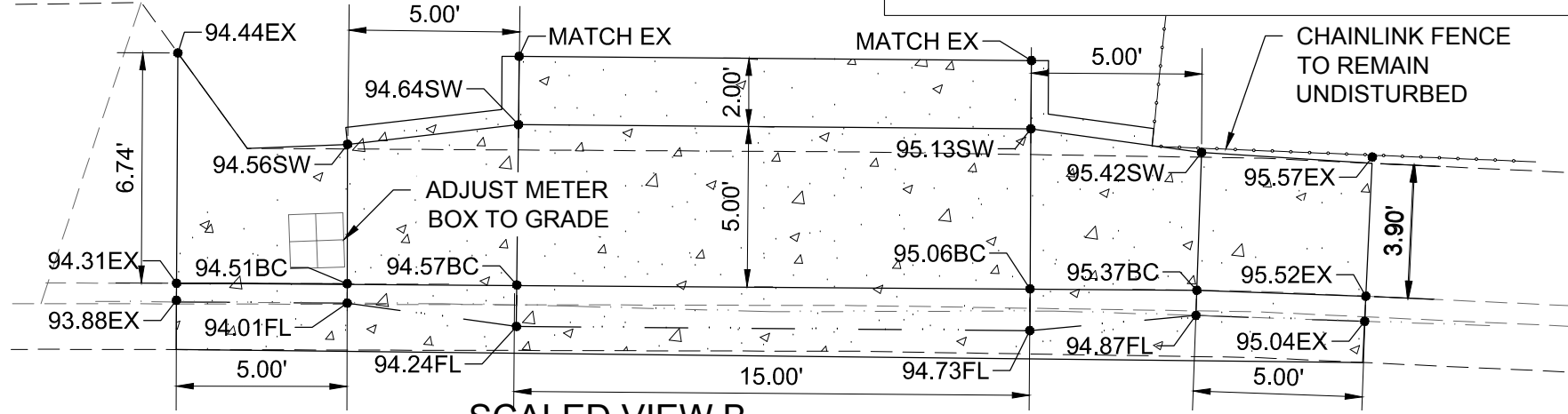


CONSTRUCTION PLAN KEY NOTES:

- 2" COLD MILL & HMA SP-IV INLAY. TACK COAT MILLED SURFACE. MATCH ADJACENT CURB & GUTTER ELEVATIONS.
- MATCH EXISTING PAVEMENT ELEVATION.
- EXISTING CURB AND GUTTER NOT TO BE DISTURBED.
- APPLY TACK COAT TO PAVEMENT CUT.
- ADJUST MANHOLE TO GRADE.
- CAUTION: OVER HEAD UTILITY LINES.
- CURB & GUTTER TO BE REMOVED & REPLACED.
- ADJUST VALVE BOX TO GRADE.
- SAWCUT AND BEGIN MILL-INLAY 2' INTO EXISTING INTERSECTION HMA

LEGEND

- NEW 2" COLD MILL & HMA SP-IV INLAY
- NEW 3" HMA SP-IV
- NEW CONCRETE
- NEW CURB & GUTTER
- EXISTING FIRE HYDRANT
- EXISTING POWER POLE
- EXISTING WATER METER
- EXISTING WATER VALVE
- EXISTING SEWER MAHOLE
- EXISTING ROADWAY CENTERLINE
- EXISTING OVER HEAD ELECTRIC LINES



REV. No.	DATE	DESCRIPTION	APPROVED
1	12-21-17	AMENDMENT-1	CA
0	9-08-17	ISSUED FOR CONSTRUCTION	CA

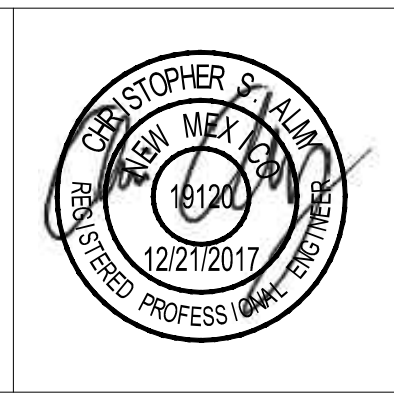
New Mexico One Call, Inc. Call 2 days before you dig!
NMOC Dial 811 or 1-800-321-2537
 Professional Resources for Damage Prevention



Street Maintenance Program FY 2017

TENTH STREET CONSTRUCTION PLAN STATION 0+00 TO 5+50

CITY OF ALAMOGORDO, NEW MEXICO, ENGINEERING DEPARTMENT



OEI Occam Engineers Inc.
 506 S MAIN ST. SUITE 600
 LAS CRUCES, NEW MEXICO 88005
 (575) 524-2007 (OFFICE)
 (575) 524-0482 (FAX)

Public Works Bid No.:	2017-010
Drawn By:	GG
Designed By:	GG
Checked By:	CA
Approved By:	CA
Scale:	Horiz.: VARIES Vert.: n/a

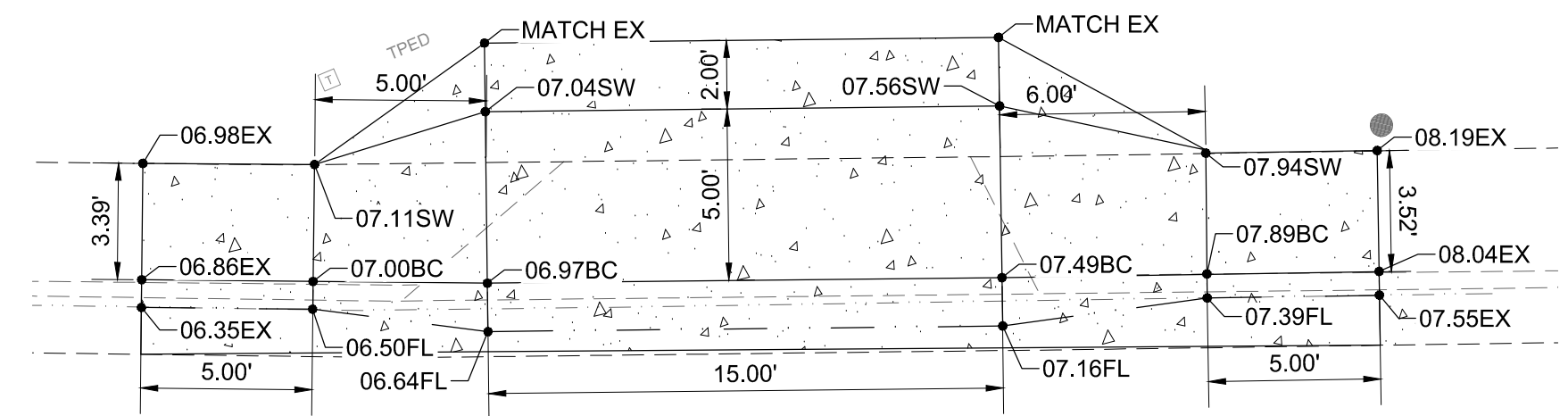
Sheet No.:	RC 6.0
Sheet	17 of 103
EN1701	

CONSTRUCTION PLAN KEY NOTES:

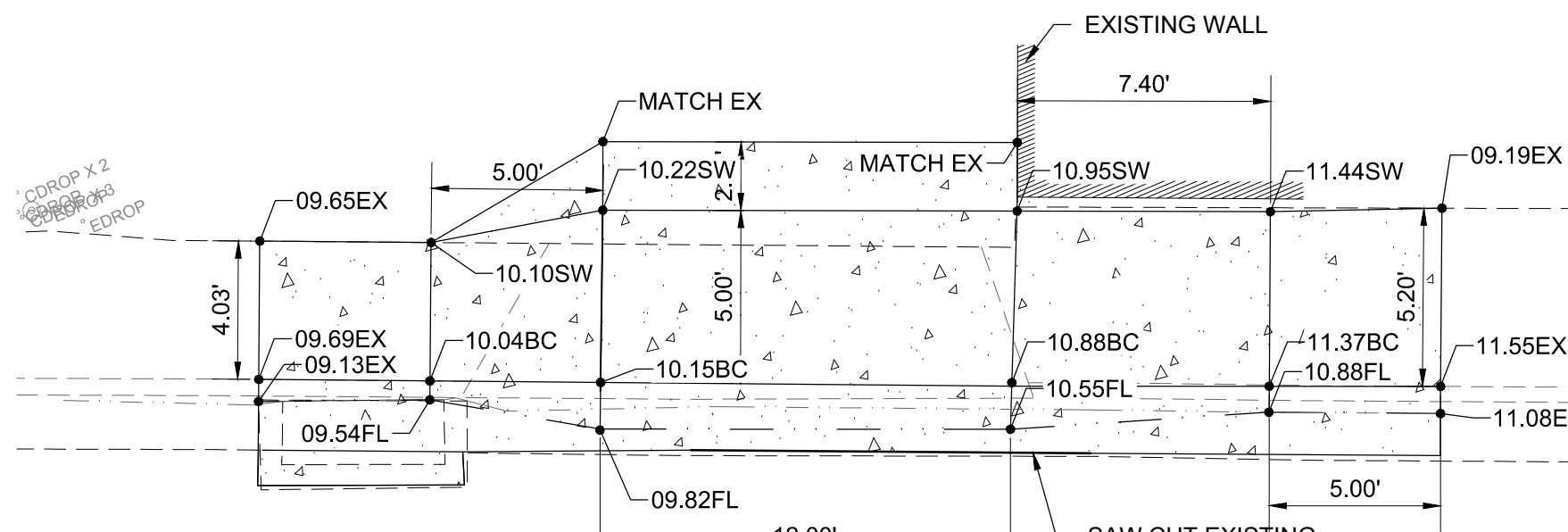
- 2" COLD MILL & HMA SP-IV INLAY. TACK COAT MILLED SURFACE. MATCH ADJACENT CURB & GUTTER ELEVATIONS.
- MATCH EXISTING PAVEMENT ELEVATION.
- EXISTING CURB AND GUTTER NOT TO BE DISTURBED.
- APPLY TACK COAT TO PAVEMENT CUT.
- ADJUST MANHOLE TO GRADE.
- CAUTION: OVER HEAD UTILITY LINES.
- CURB & GUTTER TO BE REMOVED & REPLACED.
- ADJUST VALVE BOX TO GRADE.
- SAWCUT AND BEGIN MILL-INLAY 2' INTO EXISTING INTERSECTION HMA

LEGEND

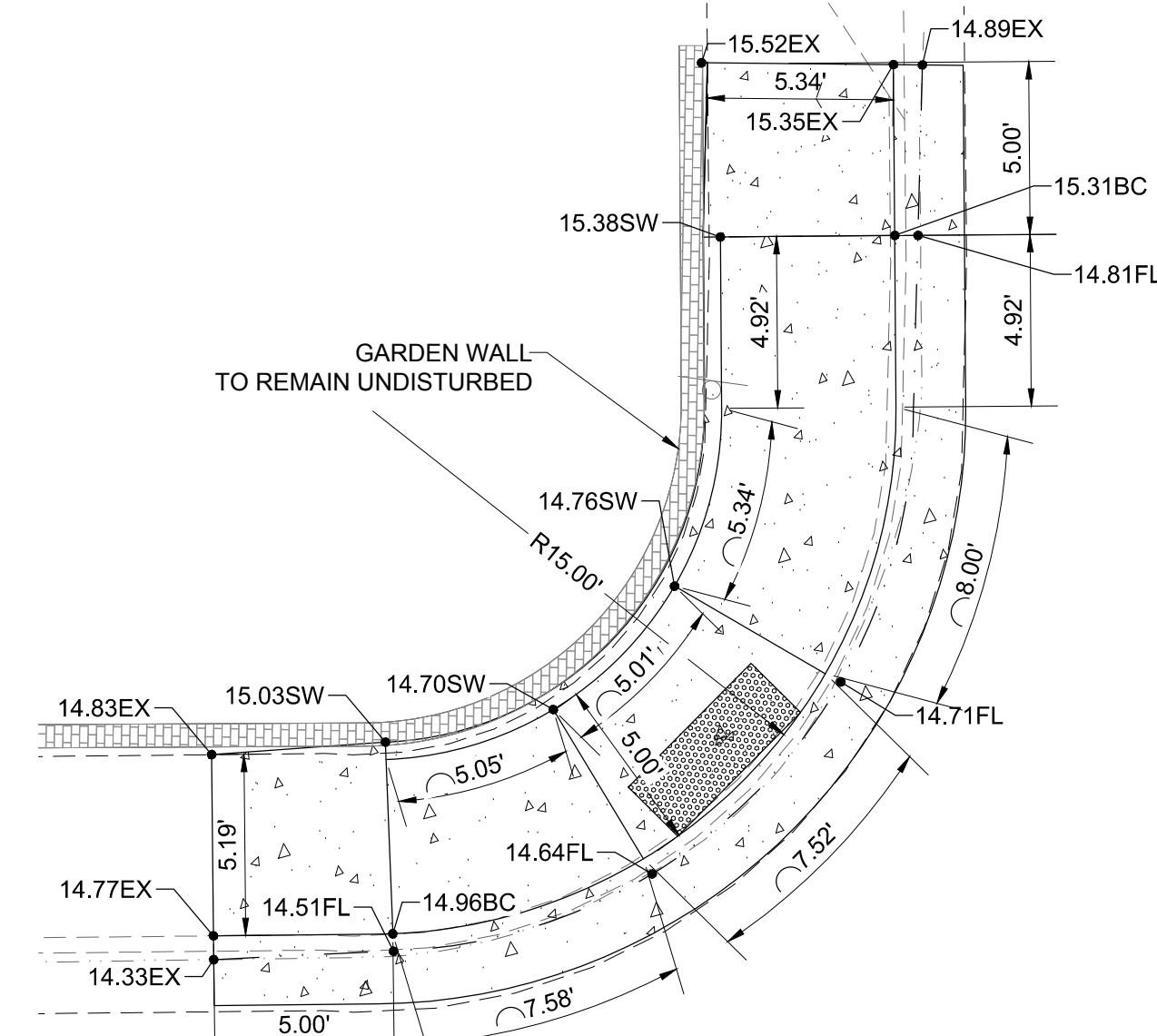
NEW 2" COLD MILL & HMA SP-IV INLAY	
NEW 3" HMA SP-IV	
NEW CONCRETE	
NEW CURB & GUTTER	
EXISTING FIRE HYDRANT	
EXISTING POWER POLE	
EXISTING WATER METER	
EXISTING WATER VALVE	
EXISTING SEWER MAHOLE	
EXISTING ROADWAY CENTERLINE	
EXISTING OVER HEAD ELECTRIC LINES	



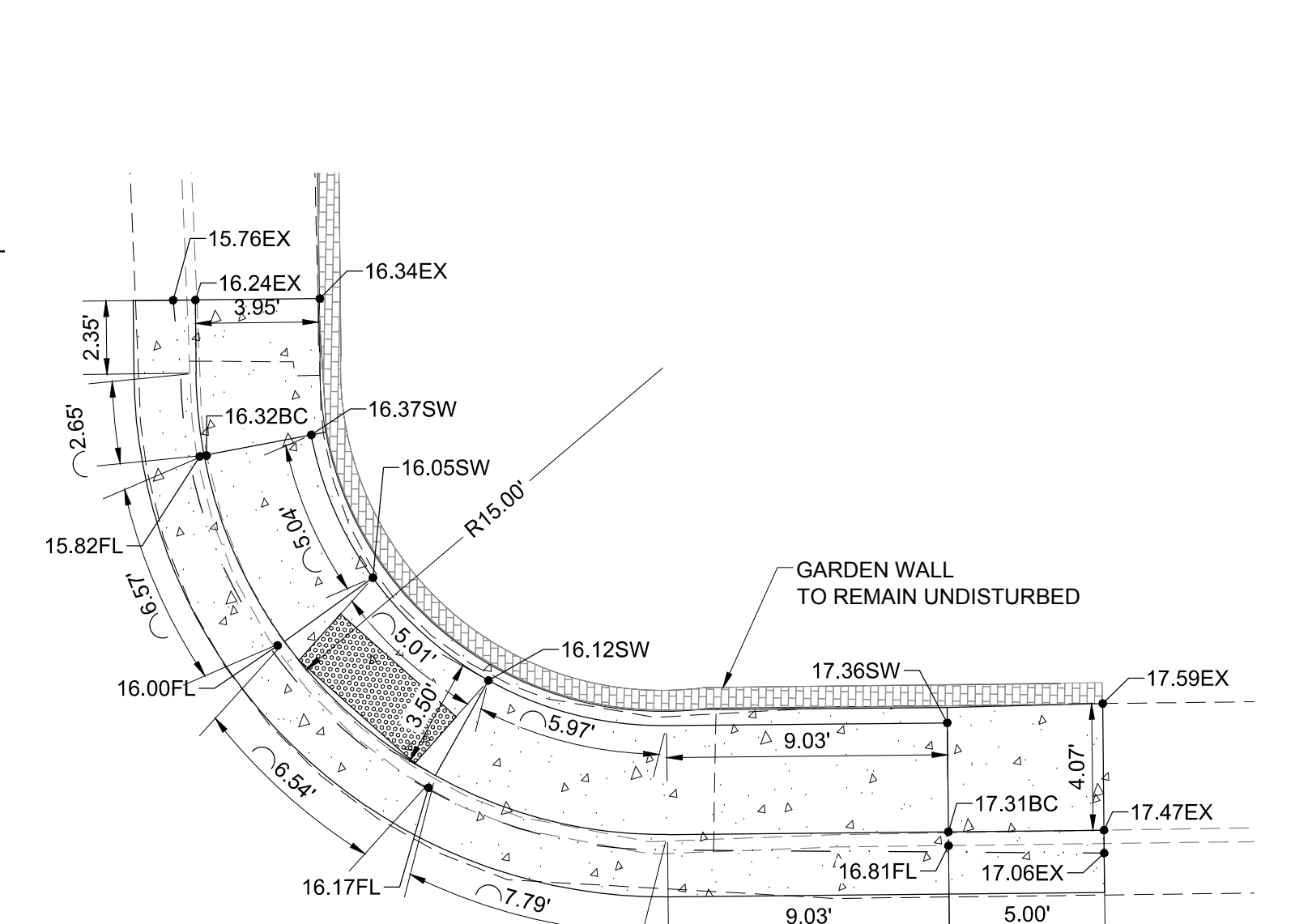
SCALED VIEW A
FULL SCALE: 1:5 HALF SCALE: 1:10



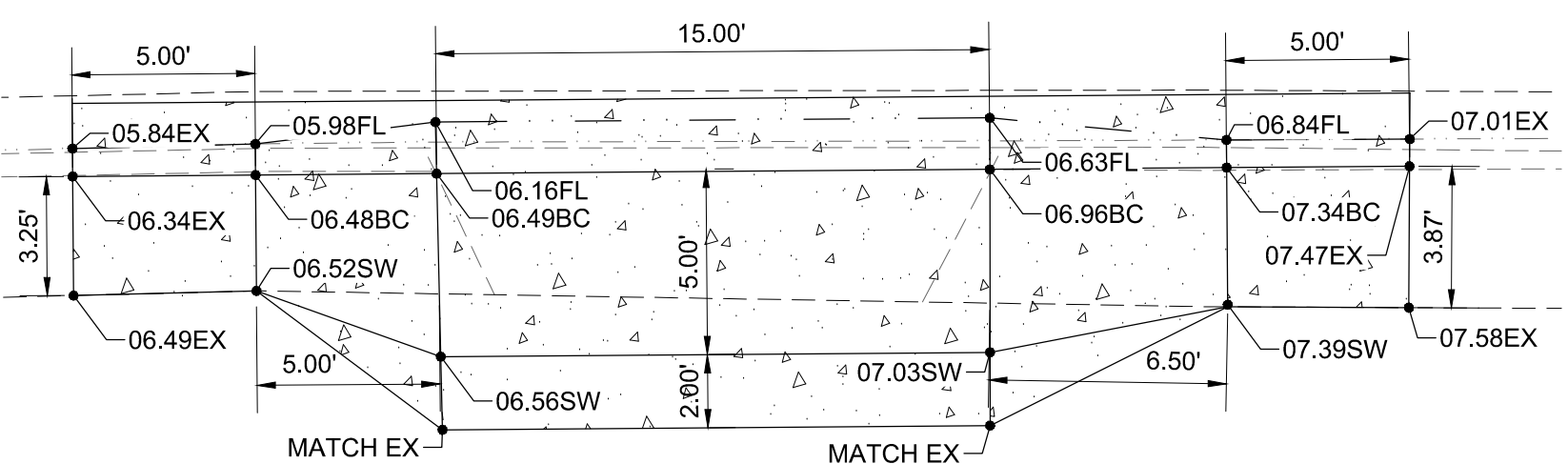
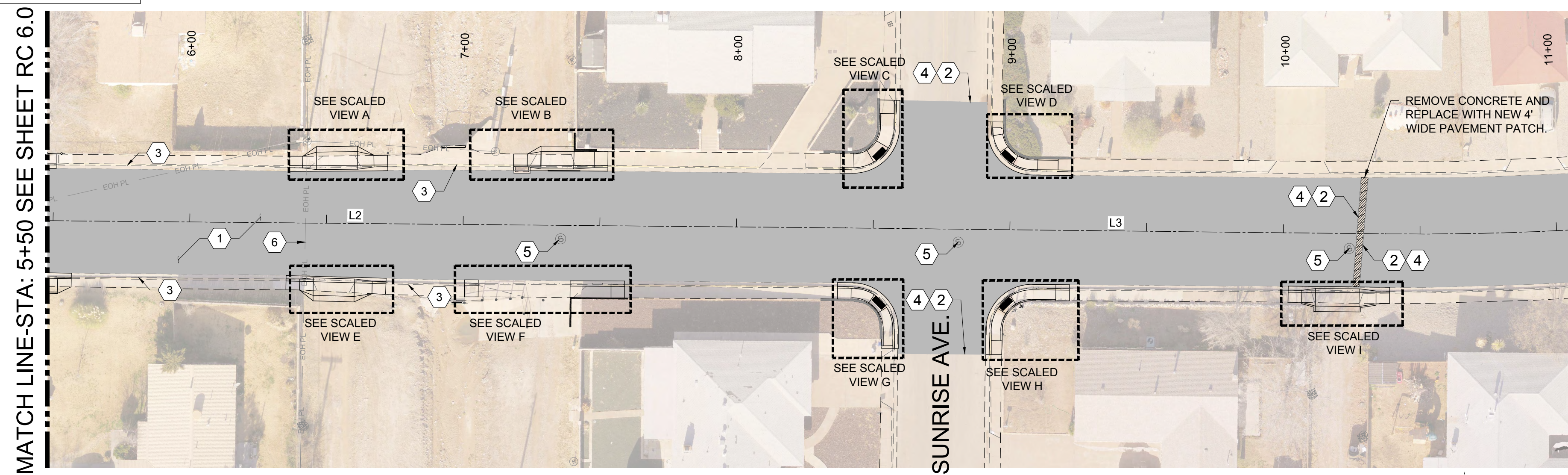
SCALED VIEW B
FULL SCALE: 1:5 HALF SCALE: 1:10



SCALED VIEW C
FULL SCALE: 1:5 HALF SCALE: 1:10

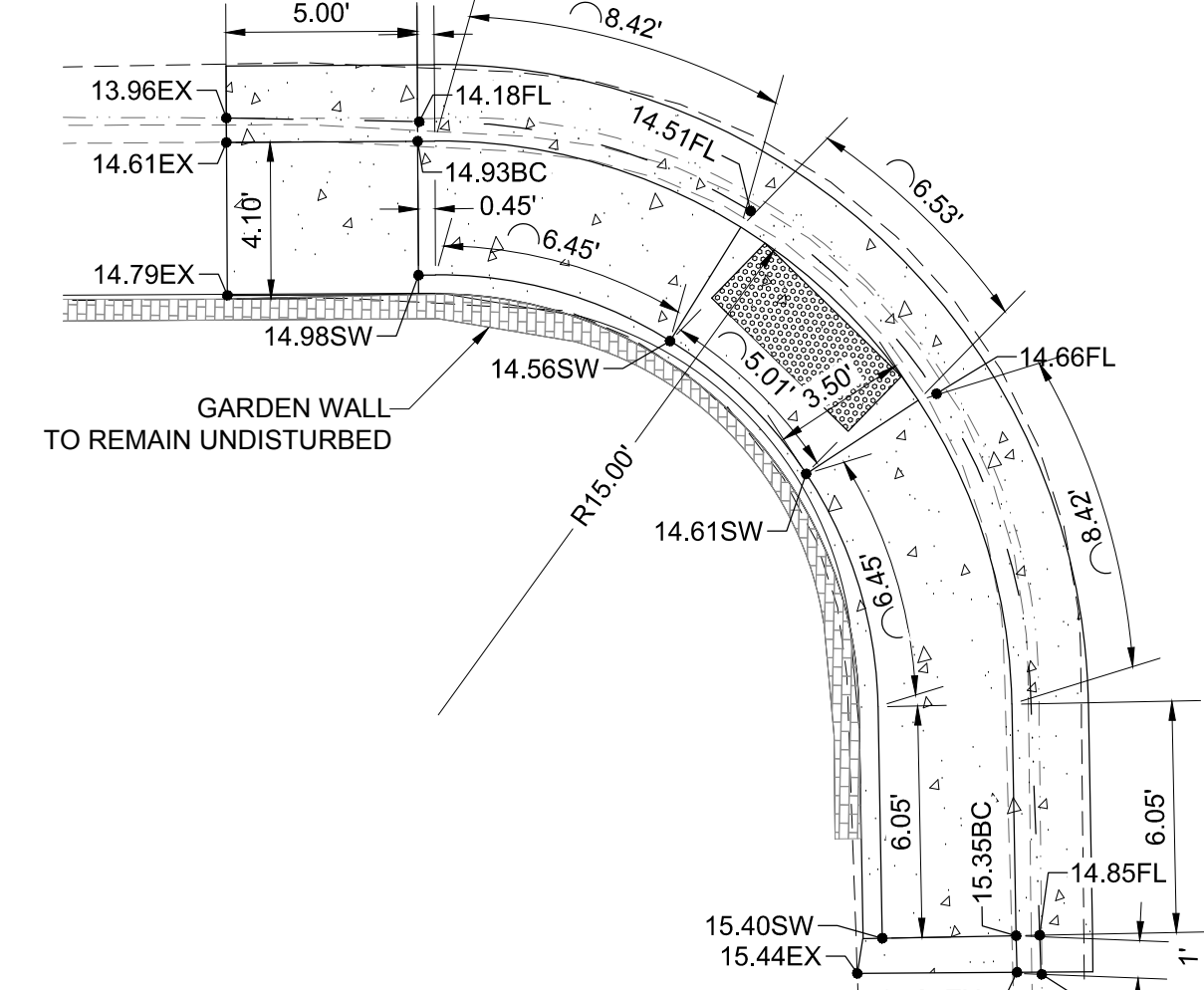
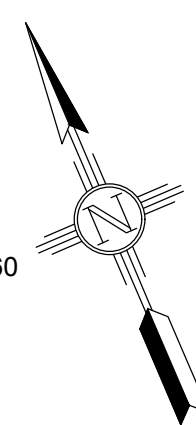


SCALED VIEW D
FULL SCALE: 1:5 HALF SCALE: 1:10

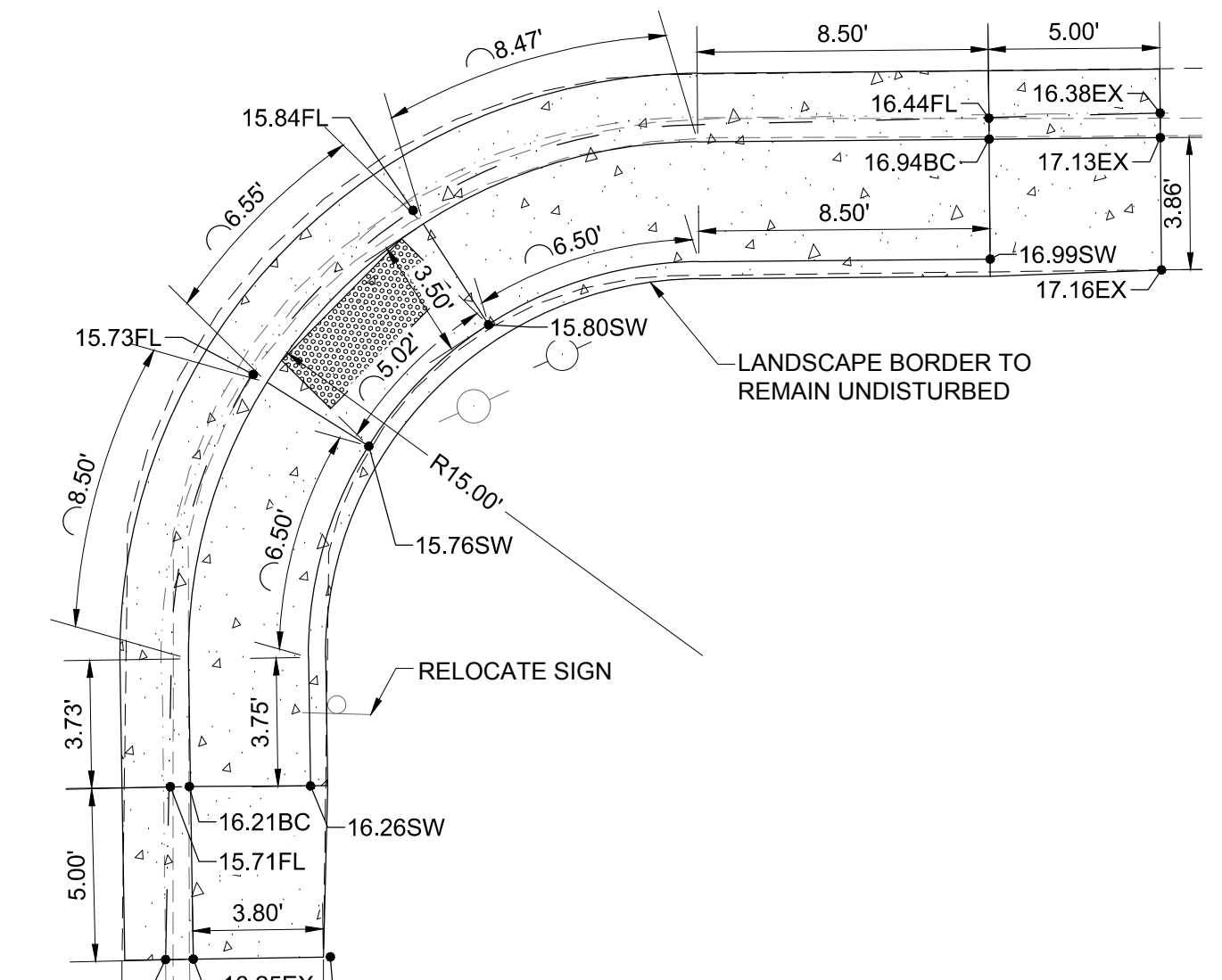


SCALED VIEW E
FULL SCALE: 1:5 HALF SCALE: 1:10

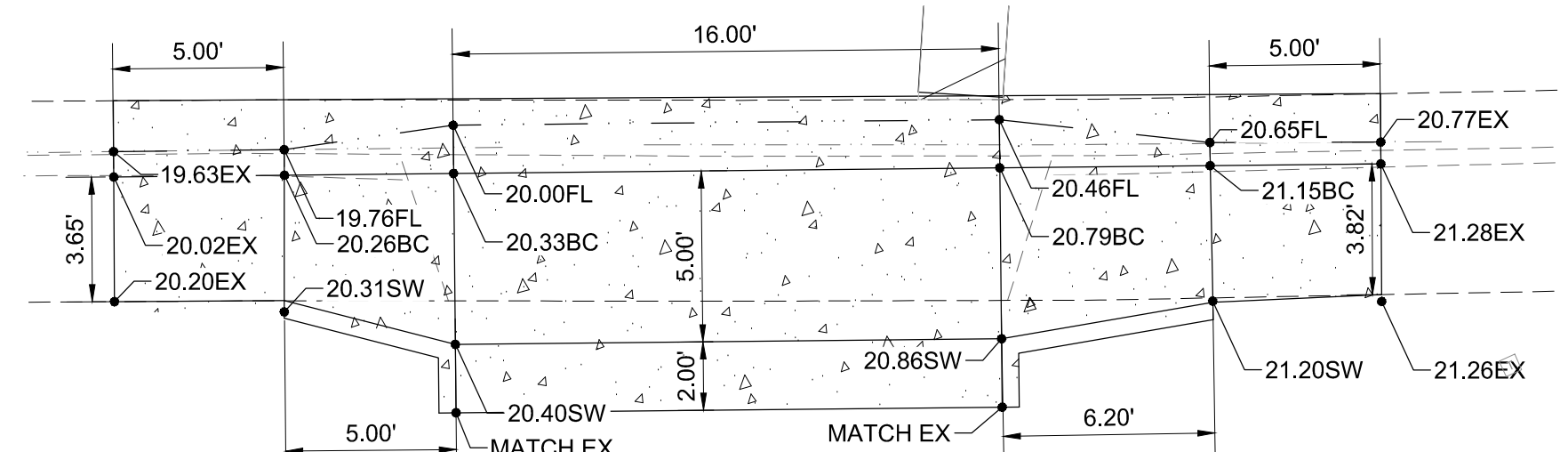
TENTH STREET
FULL SCALE: 1:30 HALF SCALE: 1:60



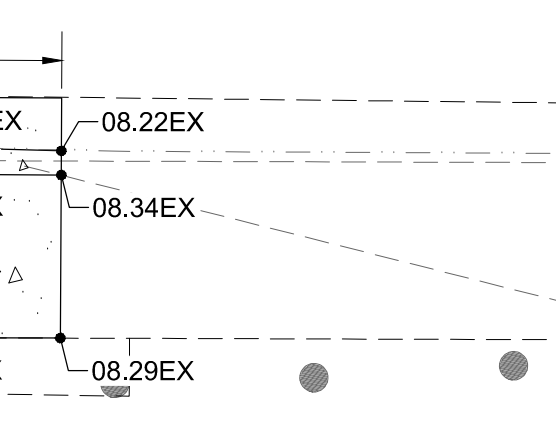
SCALED VIEW G
FULL SCALE: 1:5 HALF SCALE: 1:10



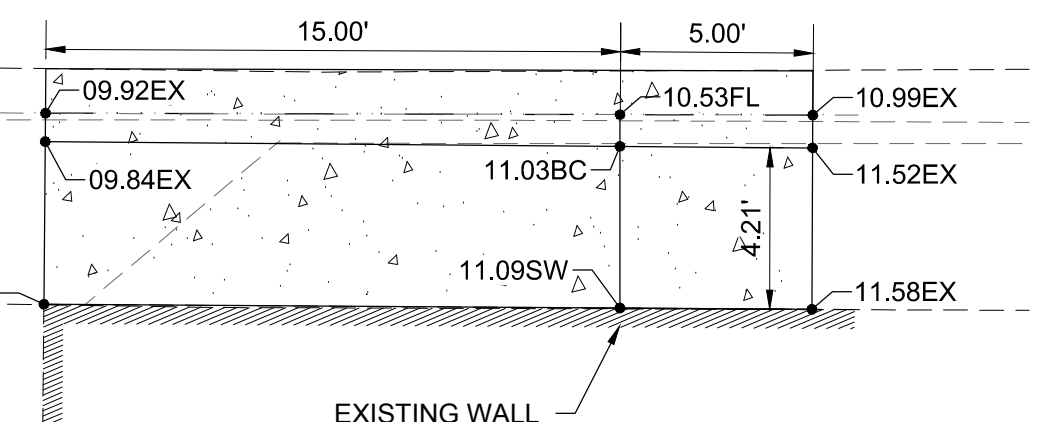
SCALED VIEW H
FULL SCALE: 1:5 HALF SCALE: 1:10



SCALED VIEW I
FULL SCALE: 1:5 HALF SCALE: 1:10



SCALED VIEW F
FULL SCALE: 1:5 HALF SCALE: 1:10



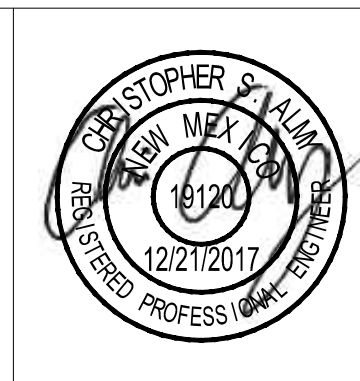
SCALED VIEW F
FULL SCALE: 1:5 HALF SCALE: 1:10

REV. No.	DATE	DESCRIPTION	APPROVED
1	12-21-17	AMENDMENT-1	CA
0	9-08-17	ISSUED FOR CONSTRUCTION	CA

New Mexico One Call, Inc. Call 2 days before you dig!
NMOC Dial 811 or 1-800-321-2537
 Professional Resources for Damage Prevention



Street Maintenance Program FY 2017
TENTH STREET CONSTRUCTION PLAN
 STATION 5+50 TO 11+00
 CITY OF ALAMOGORDO, NEW MEXICO, ENGINEERING DEPARTMENT



OEI Ocean Engineers Inc.
 506 S MAIN ST. SUITE 600
 LAS CRUCES, NEW MEXICO 88005
 (575) 524-2007 (OFFICE)
 (575) 524-0482 (FAX)

Public Works Bid No.:	2017-010
Drawn By:	GG
Designed By:	GG
Checked By:	CA
Approved By:	CA
Scale:	Horiz.: VARIES Vert.: n/a

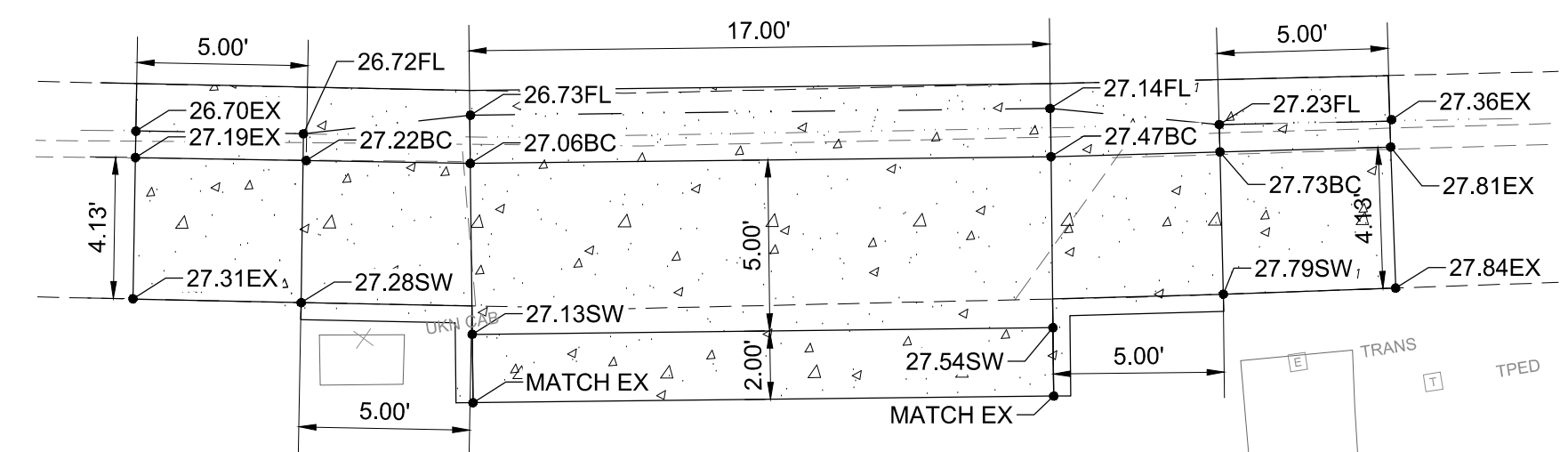
Sheet No.:	RC 7.0
Sheet	18 of 103
EN1701	

CONSTRUCTION PLAN KEY NOTES:

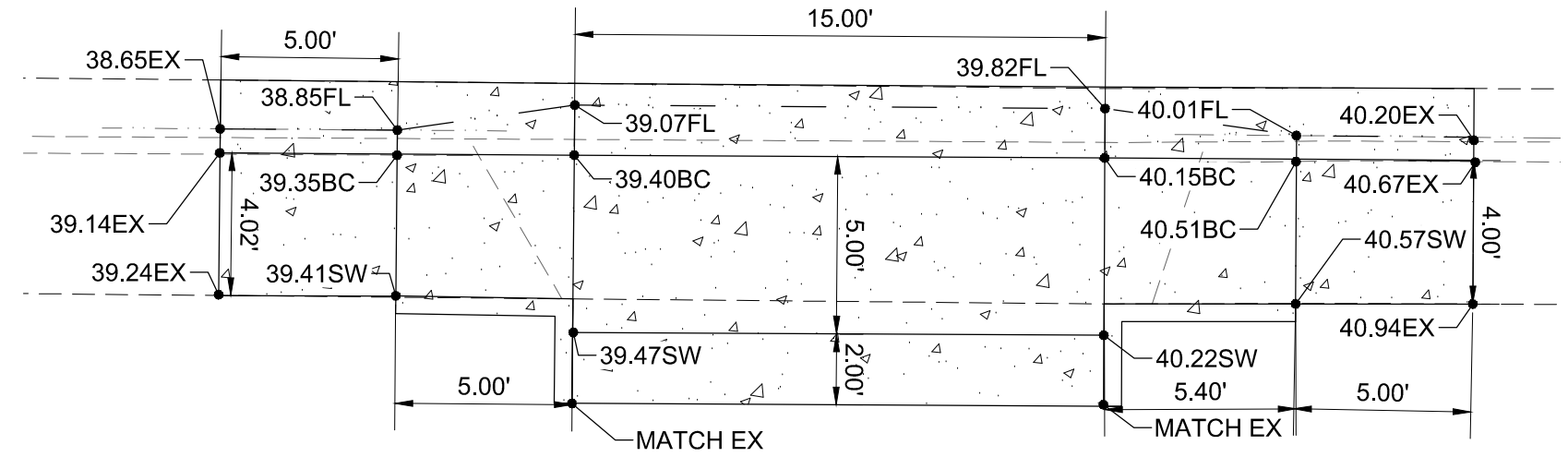
- 2" COLD MILL & HMA SP-IV INLAY. TACK COAT MILLED SURFACE. MATCH ADJACENT CURB & GUTTER ELEVATIONS.
- MATCH EXISTING PAVEMENT ELEVATION.
- EXISTING CURB AND GUTTER NOT TO BE DISTURBED.
- APPLY TACK COAT TO PAVEMENT CUT.
- ADJUST MANHOLE TO GRADE.
- CAUTION: OVER HEAD UTILITY LINES.
- CURB & GUTTER TO BE REMOVED & REPLACED.
- ADJUST VALVE BOX TO GRADE.
- SAWCUT AND BEGIN MILL-INLAY 2' INTO EXISTING INTERSECTION HMA

LEGEND

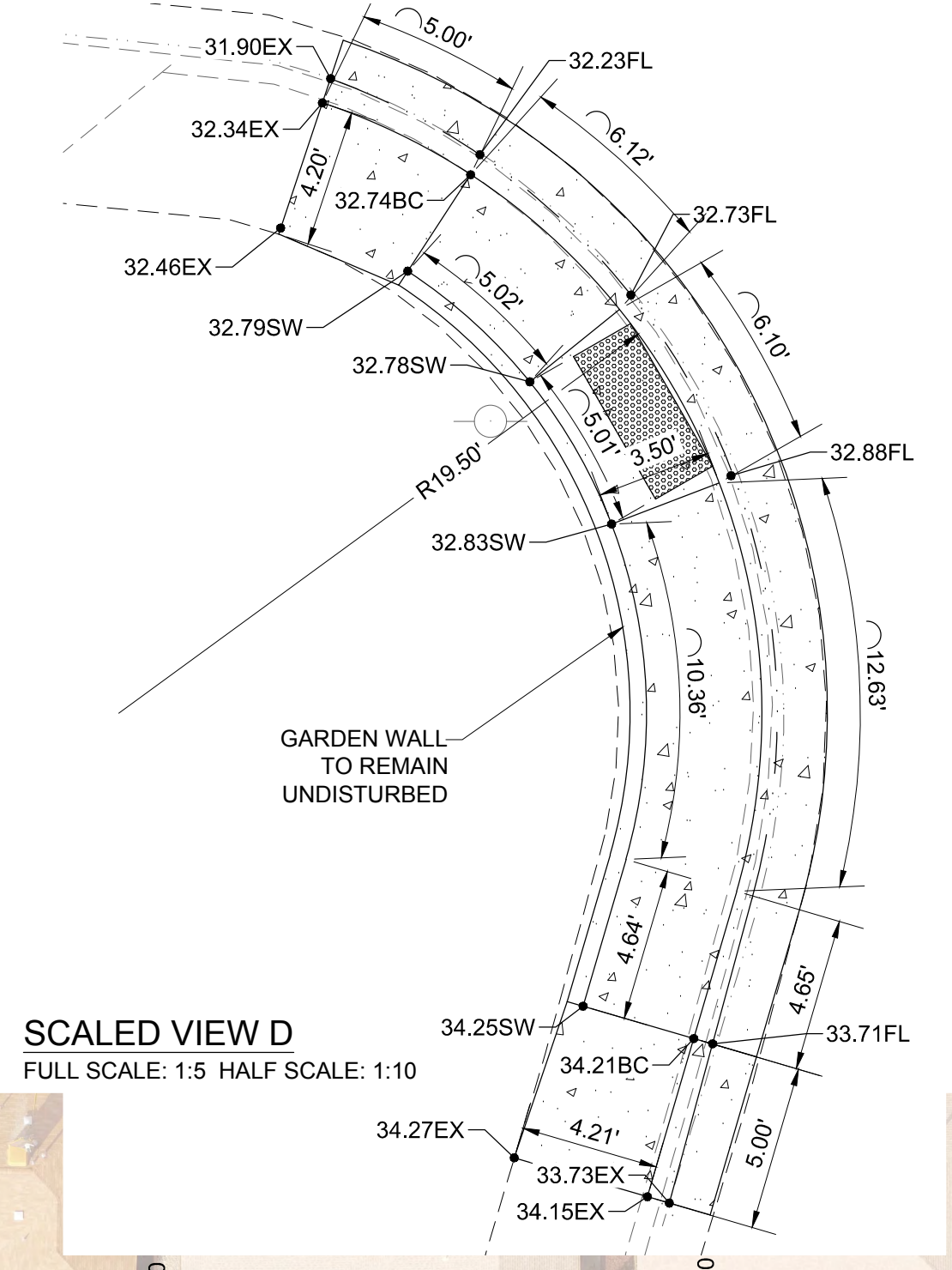
- NEW 2" COLD MILL & HMA SP-IV INLAY
- NEW 3" HMA SP-IV
- NEW CONCRETE
- NEW CURB & GUTTER
- EXISTING FIRE HYDRANT
- EXISTING POWER POLE
- EXISTING WATER METER
- EXISTING WATER VALVE
- EXISTING SEWER MAHOLE
- EXISTING ROADWAY CENTERLINE
- EXISTING OVER HEAD ELECTRIC LINES



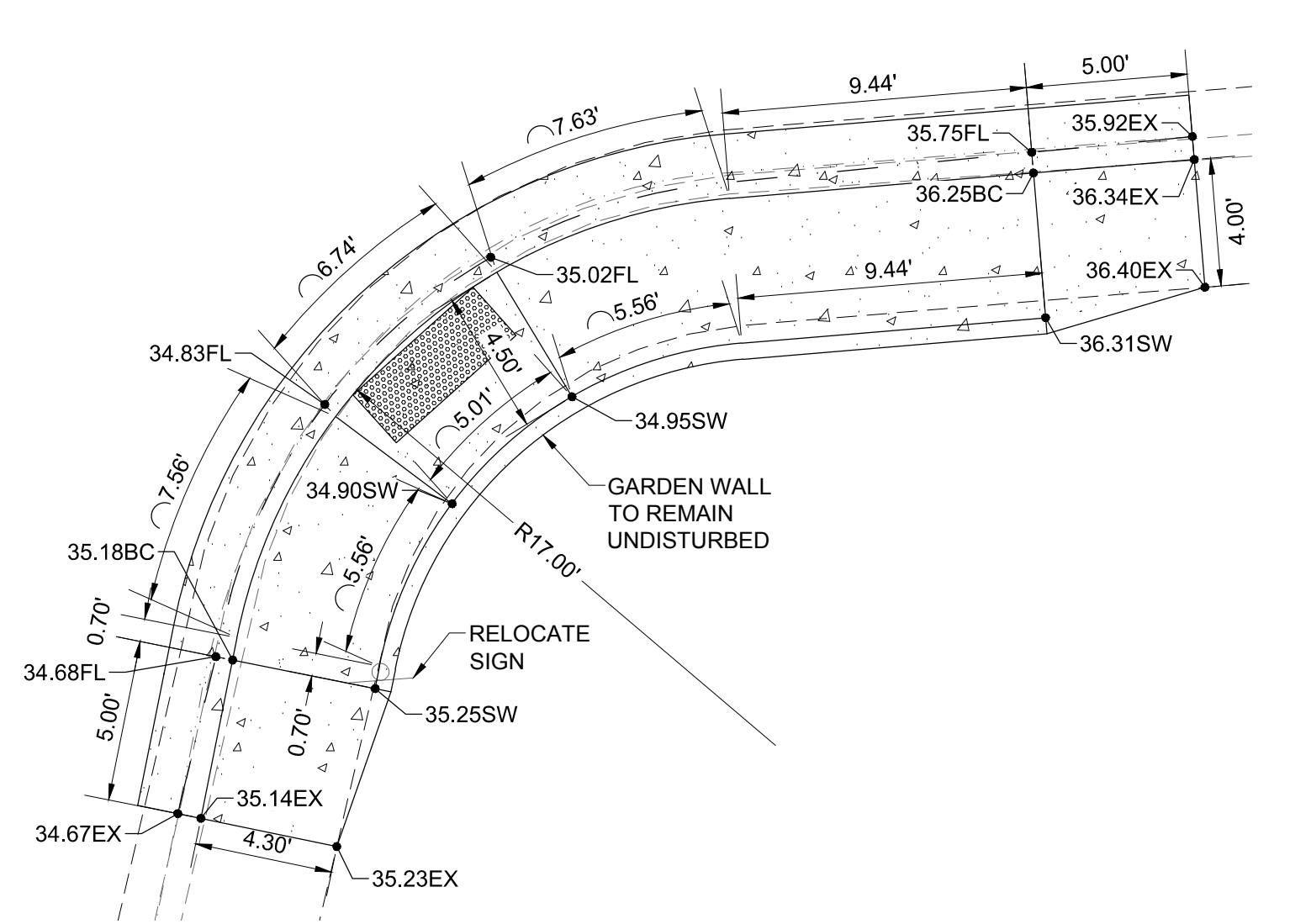
SCALED VIEW C
FULL SCALE: 1:5 HALF SCALE: 1:10



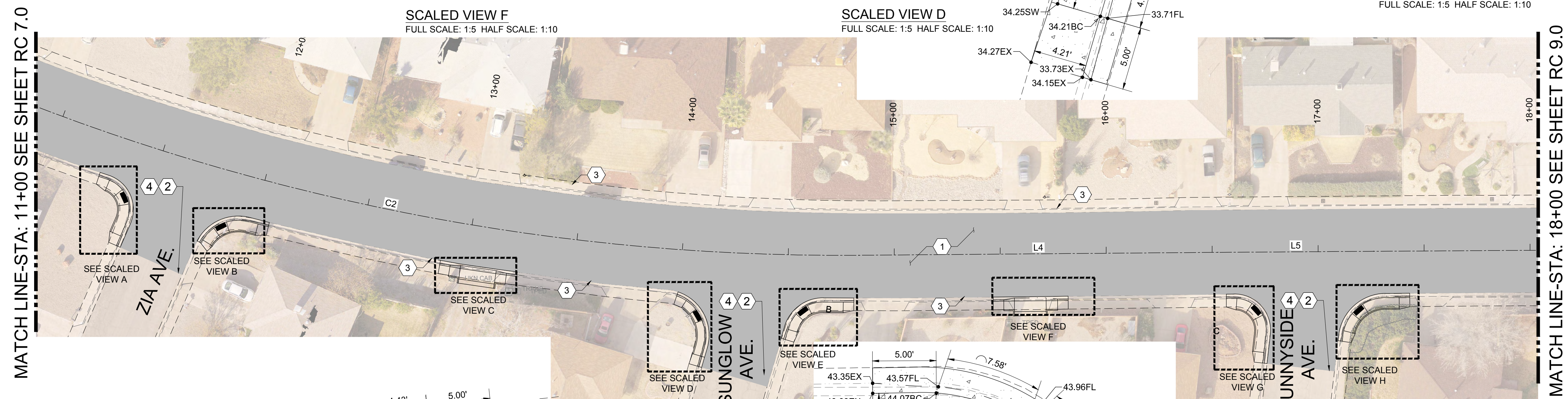
SCALED VIEW F
FULL SCALE: 1:5 HALF SCALE: 1:10



SCALED VIEW D
FULL SCALE: 1:5 HALF SCALE: 1:10

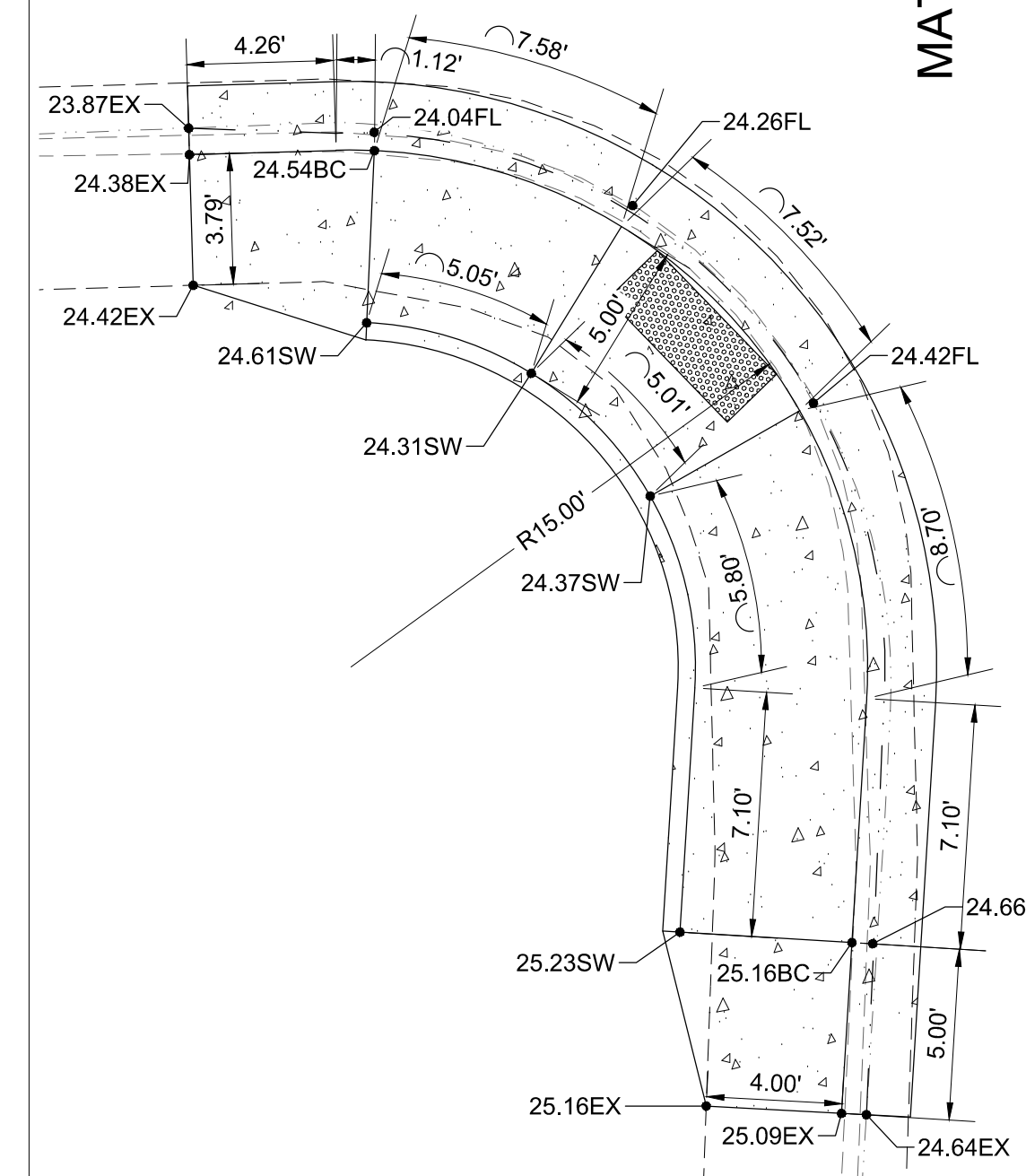


SCALED VIEW E
FULL SCALE: 1:5 HALF SCALE: 1:10

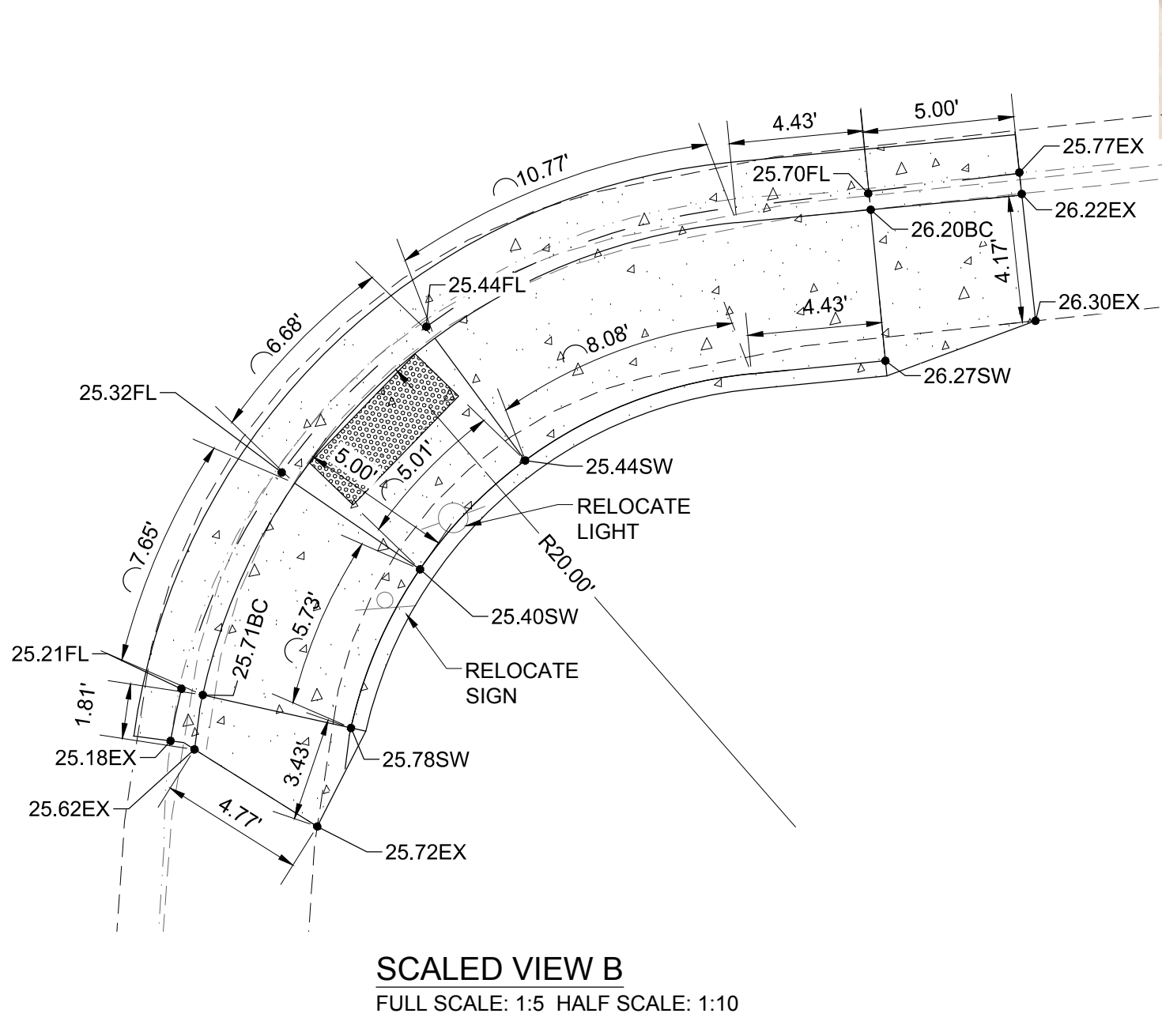


MATCH LINE-STA: 11+00 SEE SHEET RC 7.0

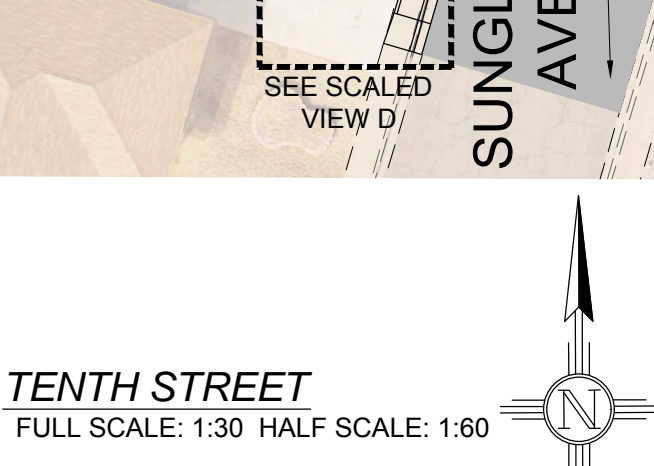
MATCH LINE-STA: 18+00 SEE SHEET RC 9.0



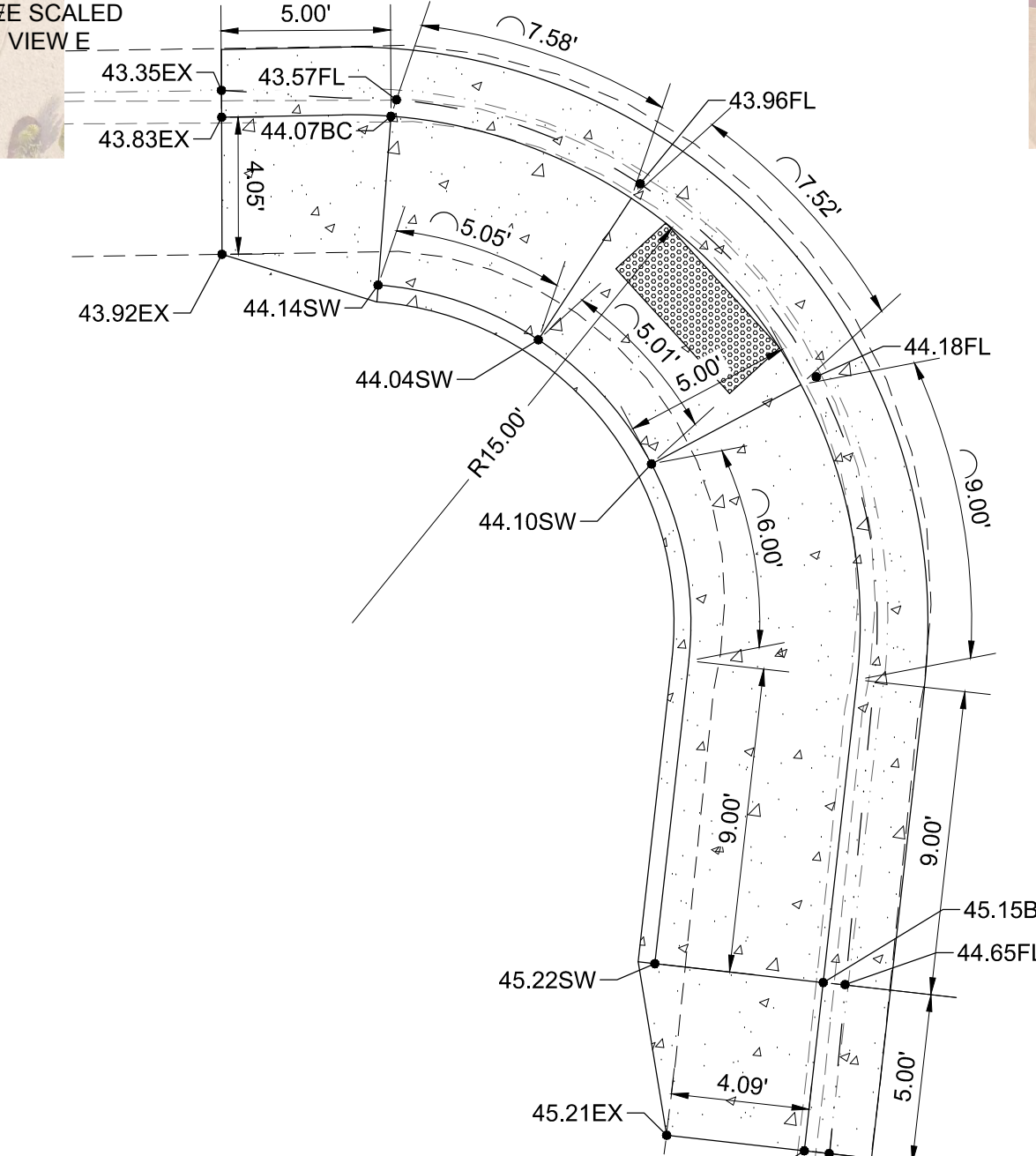
SCALED VIEW A
FULL SCALE: 1:5 HALF SCALE: 1:10



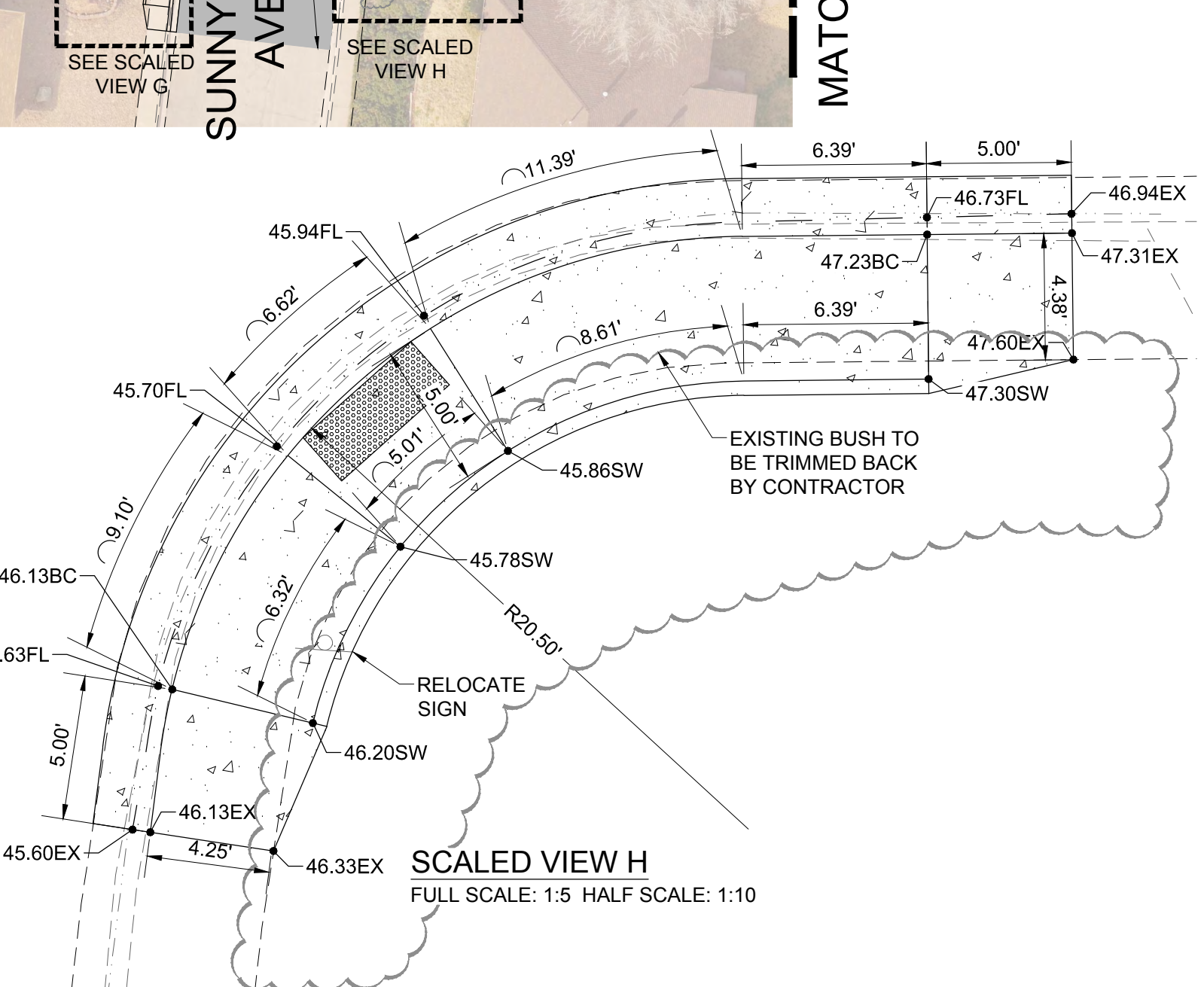
SCALED VIEW B
FULL SCALE: 1:5 HALF SCALE: 1:10



TENTH STREET
FULL SCALE: 1:30 HALF SCALE: 1:60



SCALED VIEW G
FULL SCALE: 1:5 HALF SCALE: 1:10



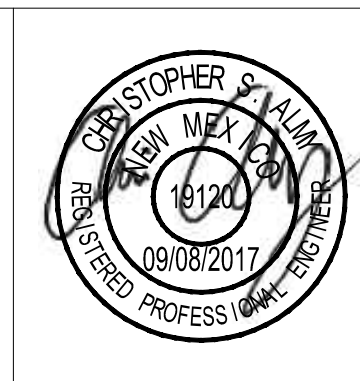
SCALED VIEW H
FULL SCALE: 1:5 HALF SCALE: 1:10

REV. No.	DATE	DESCRIPTION	APPROVED

New Mexico One Call, Inc. Call 2 days before you dig!
NMOC Dial 811 or 1-800-321-2537
 Professional Resources for Damage Prevention



Street Maintenance Program FY 2017
TENTH STREET CONSTRUCTION PLAN
 STATION 11+00 TO 18+00
 CITY OF ALAMOGORDO, NEW MEXICO, ENGINEERING DEPARTMENT



OEI Ocean Engineers Inc.
 506 S MAIN ST. SUITE 600
 LAS CRUCES, NEW MEXICO 88005
 (575) 524-2007 (OFFICE)
 (575) 524-0482 (FAX)

Public Works Bid No.:	2017-010
Drawn By:	GG
Designed By:	GG
Checked By:	CA
Approved By:	CA
Scale:	Horiz.: VARIES Vert.: n/a

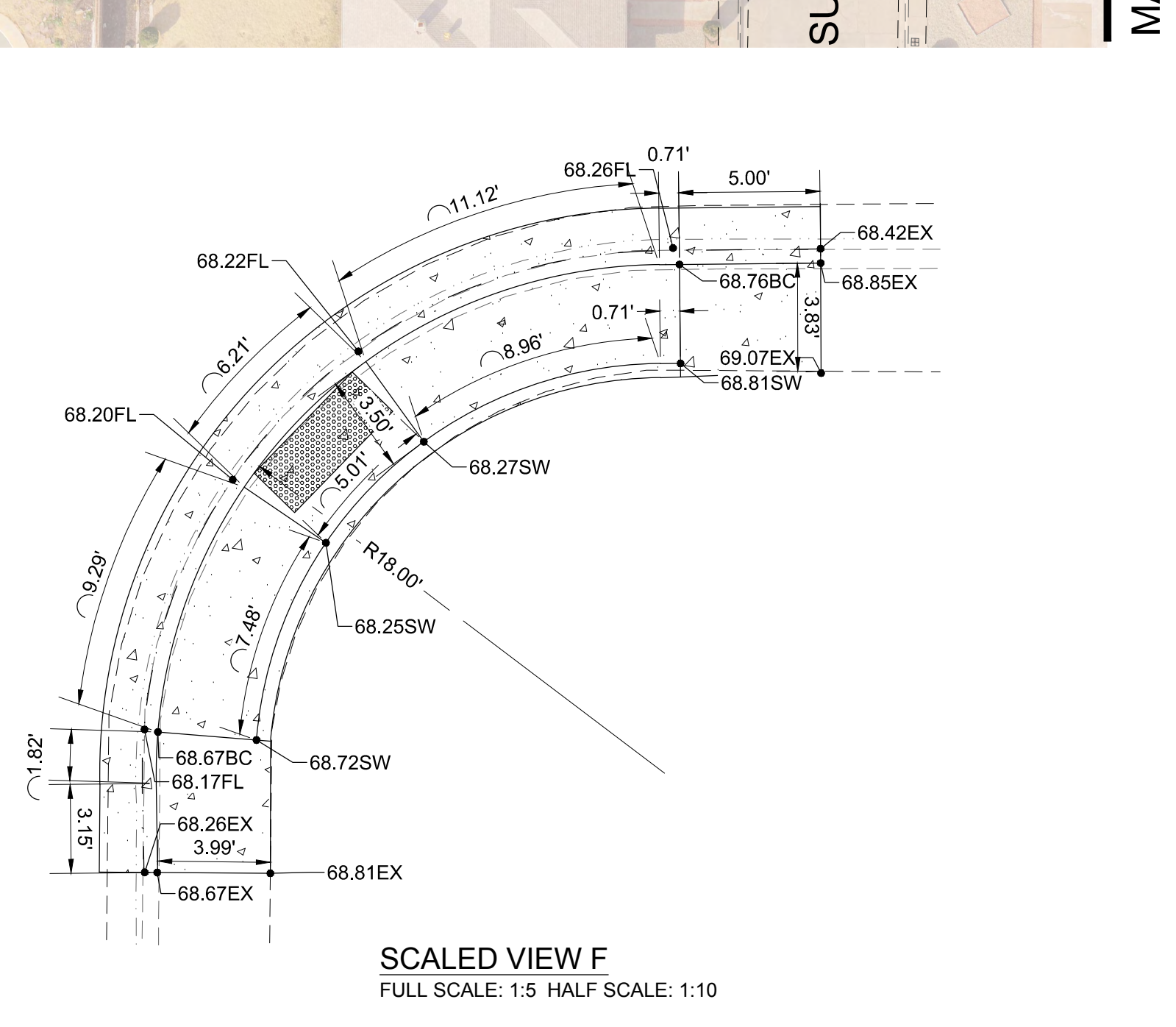
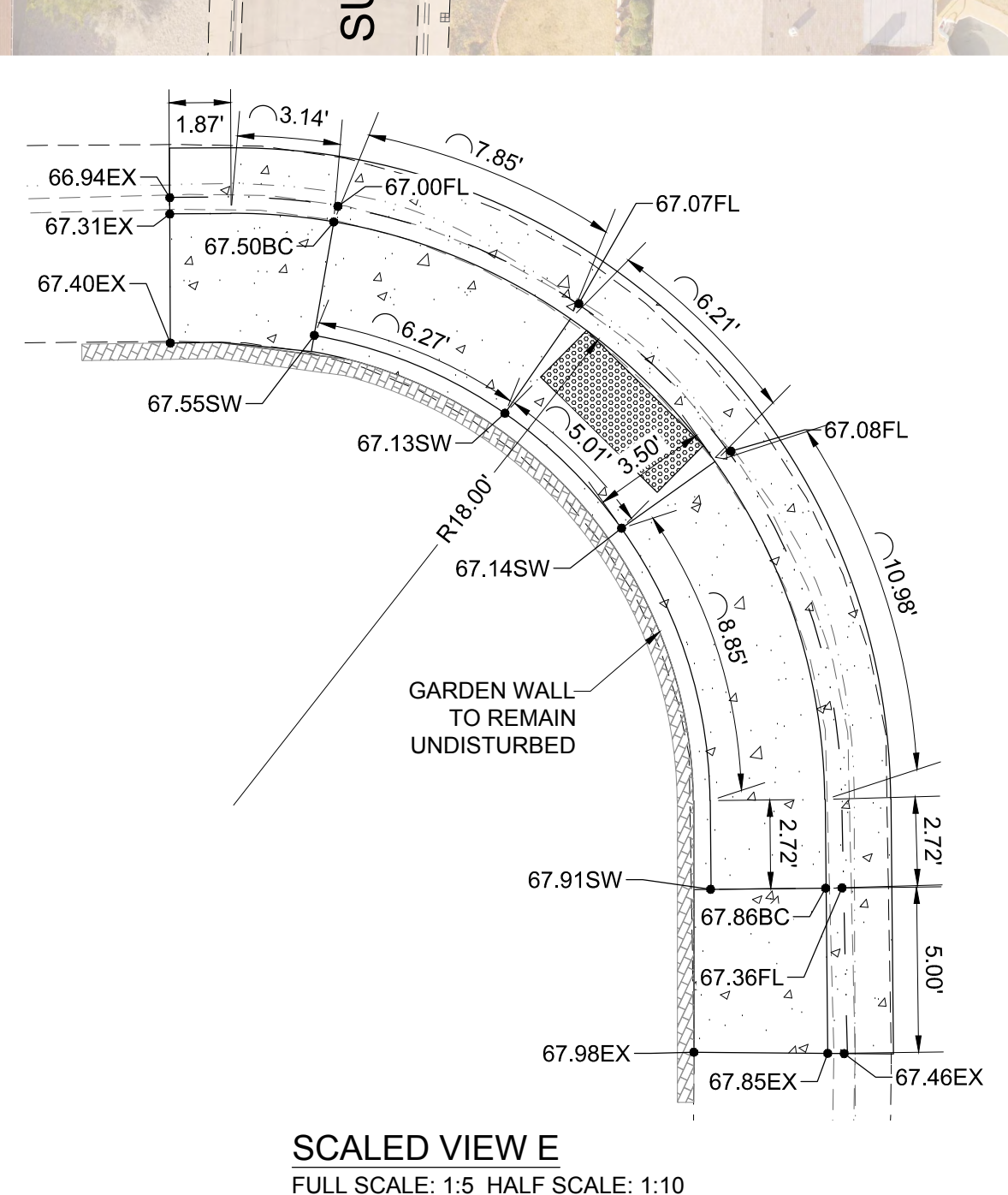
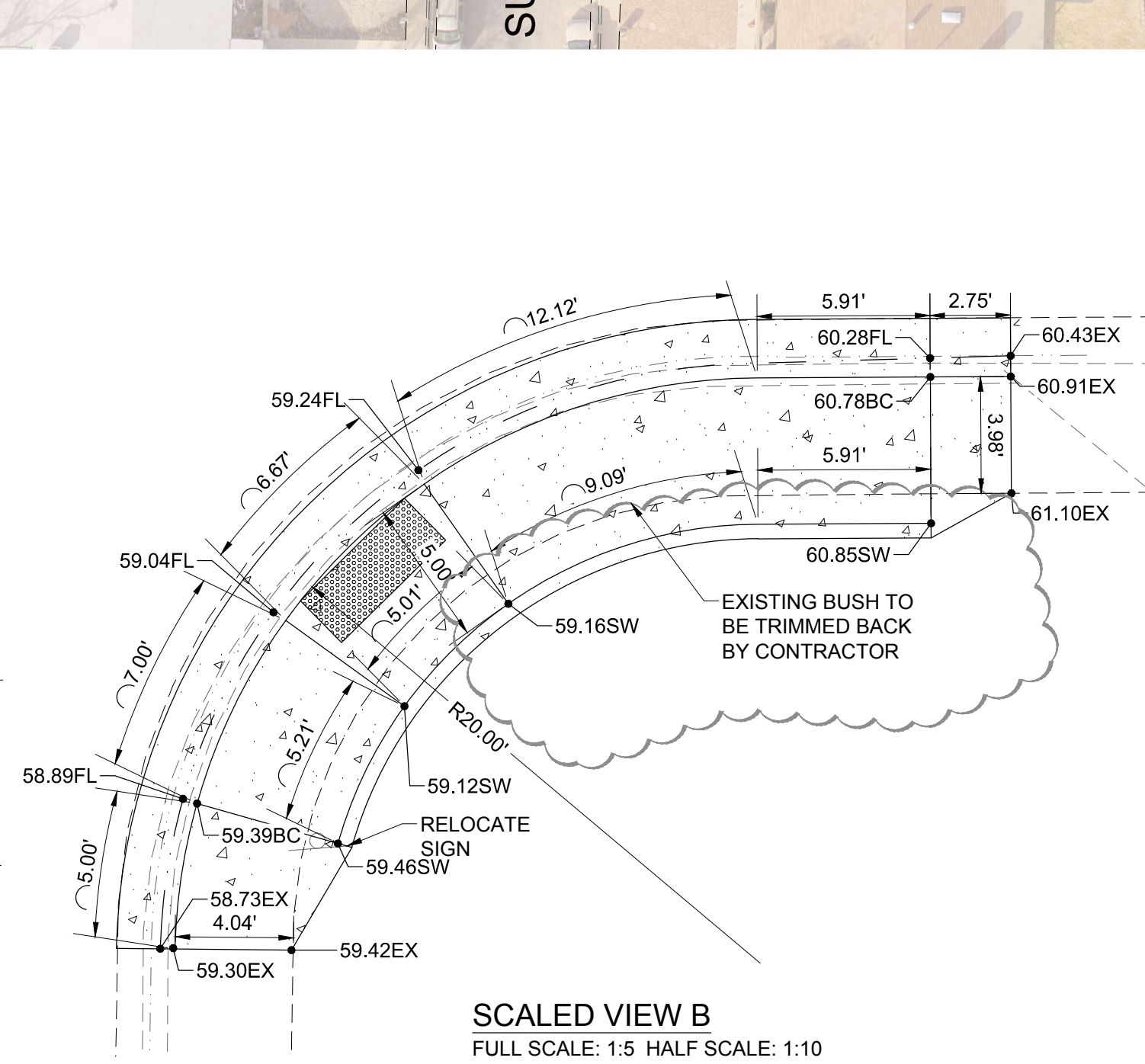
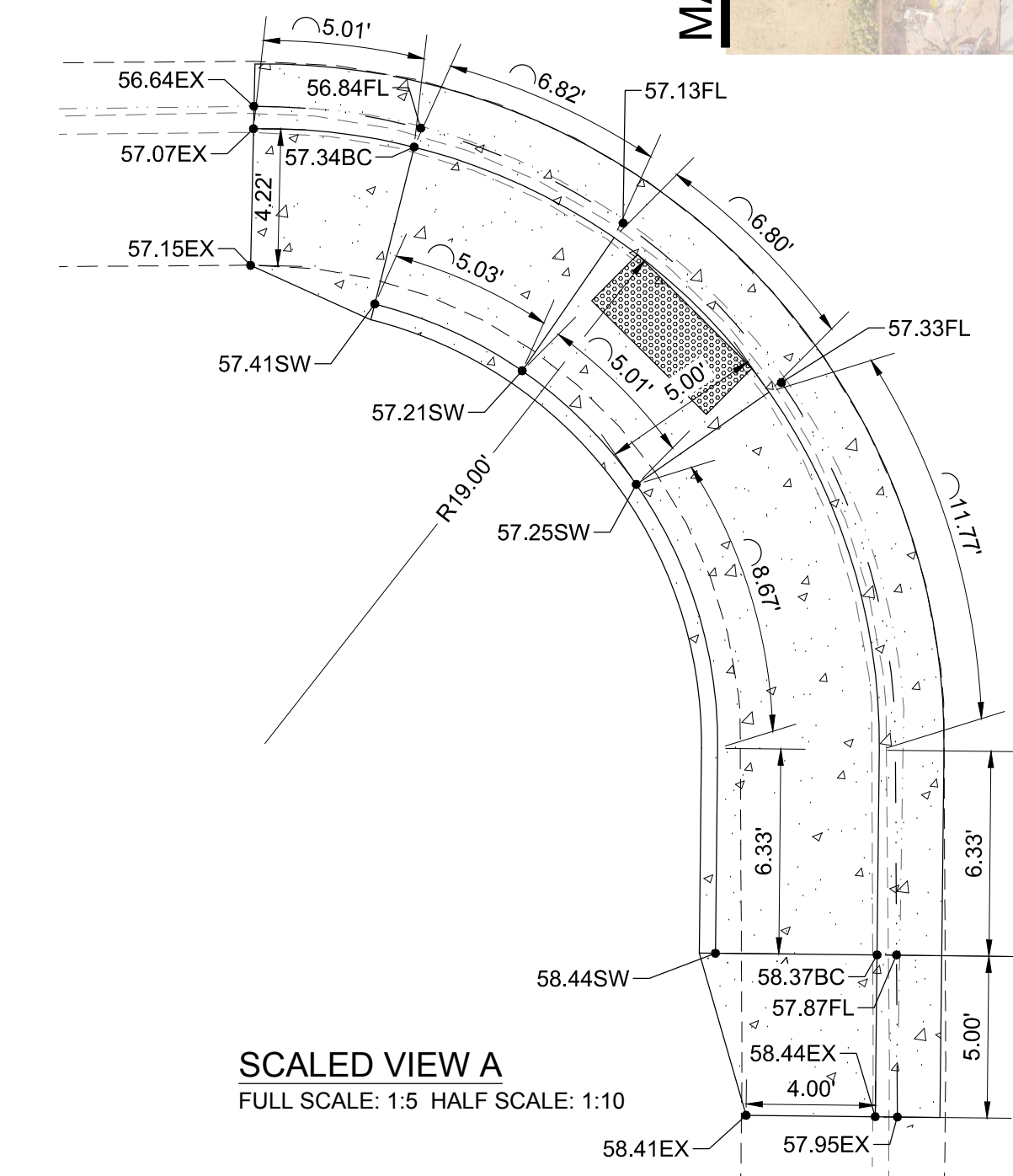
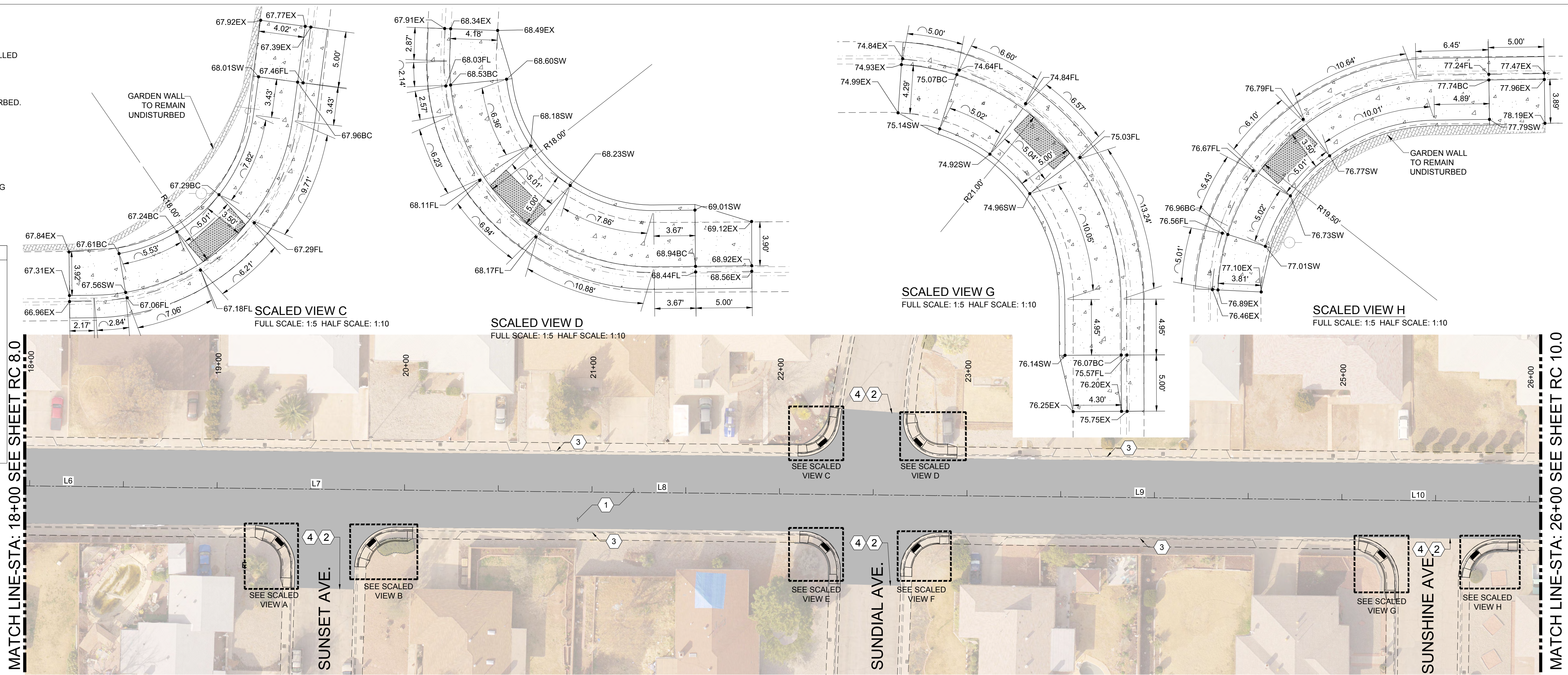
Sheet No.:	RC 8.0
Sheet	19 of 103
EN1701	

CONSTRUCTION PLAN KEY NOTES:

- 2" COLD MILL & HMA SP-IV INLAY. TACK COAT MILLED SURFACE. MATCH ADJACENT CURB & GUTTER ELEVATIONS.
- MATCH EXISTING PAVEMENT ELEVATION.
- EXISTING CURB AND GUTTER NOT TO BE DISTURBED.
- APPLY TACK COAT TO PAVEMENT CUT.
- ADJUST MANHOLE TO GRADE.
- CAUTION: OVER HEAD UTILITY LINES.
- CURB & GUTTER TO BE REMOVED & REPLACED.
- ADJUST VALVE BOX TO GRADE.
- SAWCUT AND BEGIN MILL-INLAY 2' INTO EXISTING INTERSECTION HMA

LEGEND

- NEW 2" COLD MILL & HMA SP-IV INLAY
- NEW 3" HMA SP-IV
- NEW CONCRETE
- NEW CURB & GUTTER
- EXISTING FIRE HYDRANT
- EXISTING POWER POLE
- EXISTING WATER METER
- EXISTING WATER VALVE
- EXISTING SEWER MAHOLE
- EXISTING ROADWAY CENTERLINE
- EXISTING OVER HEAD ELECTRIC LINES

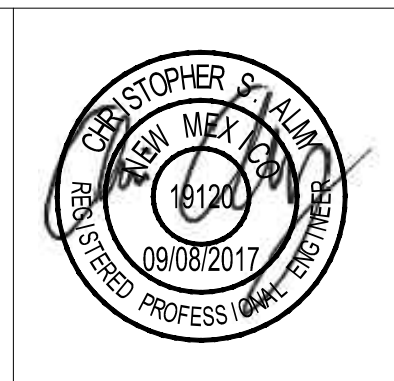


REV. No.	DATE	DESCRIPTION	APPROVED

New Mexico One Call, Inc. Call 2 days before you dig!
NMOC Dial 811 or 1-800-321-2537
 Professional Resources for Damage Prevention



Street Maintenance Program FY 2017
TENTH STREET CONSTRUCTION PLAN
STATION 18+00 TO 26+00
 CITY OF ALAMOGORDO, NEW MEXICO, ENGINEERING DEPARTMENT



OEI Ocean Engineers Inc.
 506 S MAIN ST. SUITE 600
 LAS CRUCES, NEW MEXICO 88005
 (575) 524-2007 (OFFICE)
 (575) 524-0482 (FAX)

Public Works Bid No.:	2017-010
Drawn By:	GG
Designed By:	GG
Checked By:	CA
Approved By:	CA
Scale:	Horiz.: VARIES Vert.: n/a

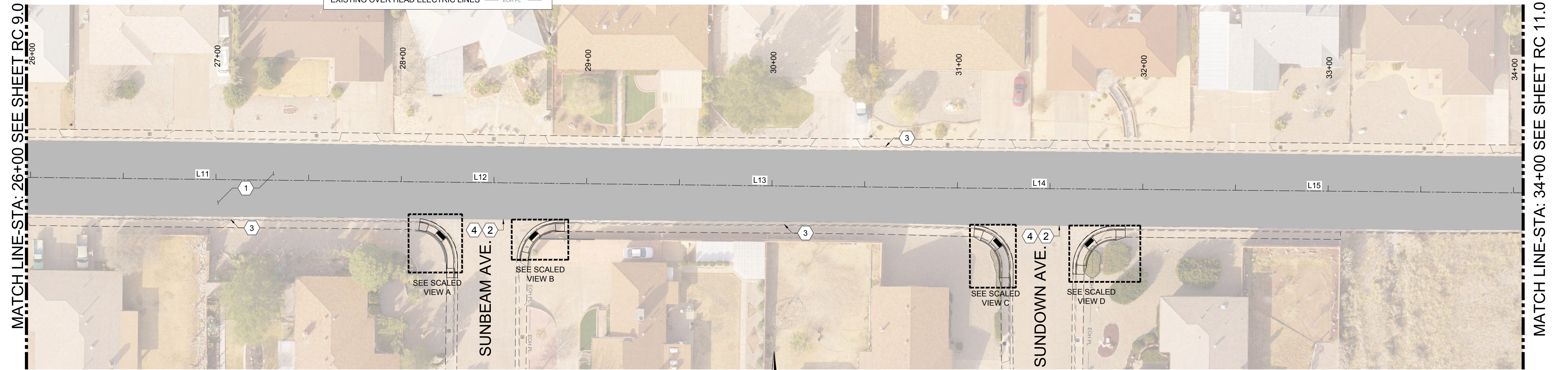
Sheet No.:	RC 9.0
Sheet	20 of 103
EN1701	

CONSTRUCTION PLAN KEY NOTES:

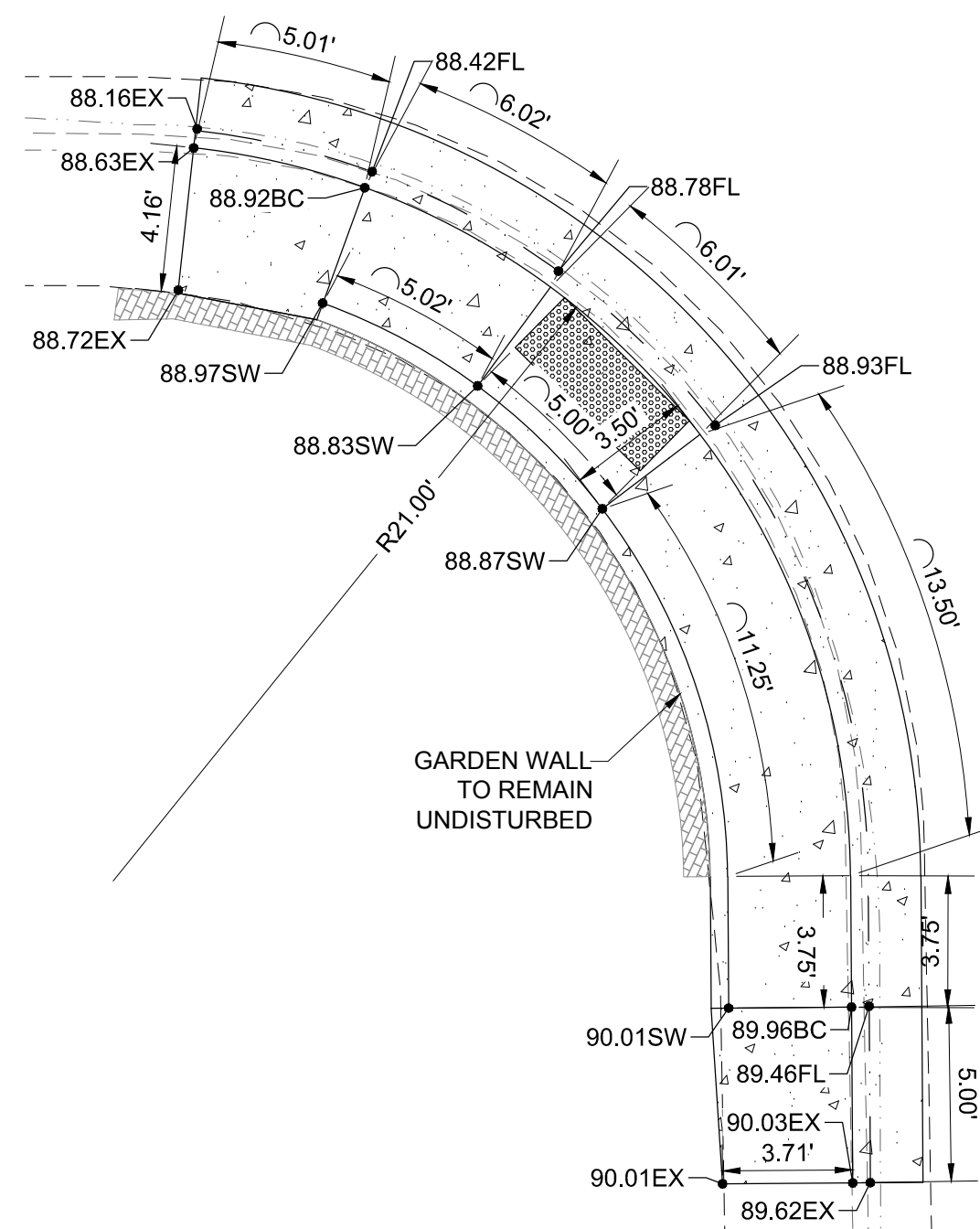
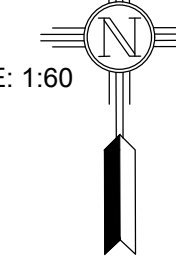
1. 2" COLD MILL & HMA SP-IV INLAY. TACK COAT MILLED SURFACE. MATCH ADJACENT CURB & GUTTER ELEVATIONS.
2. MATCH EXISTING PAVEMENT ELEVATION.
3. EXISTING CURB AND GUTTER NOT TO BE DISTURBED.
4. APPLY TACK COAT TO PAVEMENT CUT.
5. ADJUST MANHOLE TO GRADE.
6. CAUTION: OVER HEAD UTILITY LINES.
7. CURB & GUTTER TO BE REMOVED & REPLACED.
8. ADJUST VALVE BOX TO GRADE.
9. SAWCUT AND BEGIN MILL-INLAY 2" INTO EXISTING INTERSECTION HMA

LEGEND

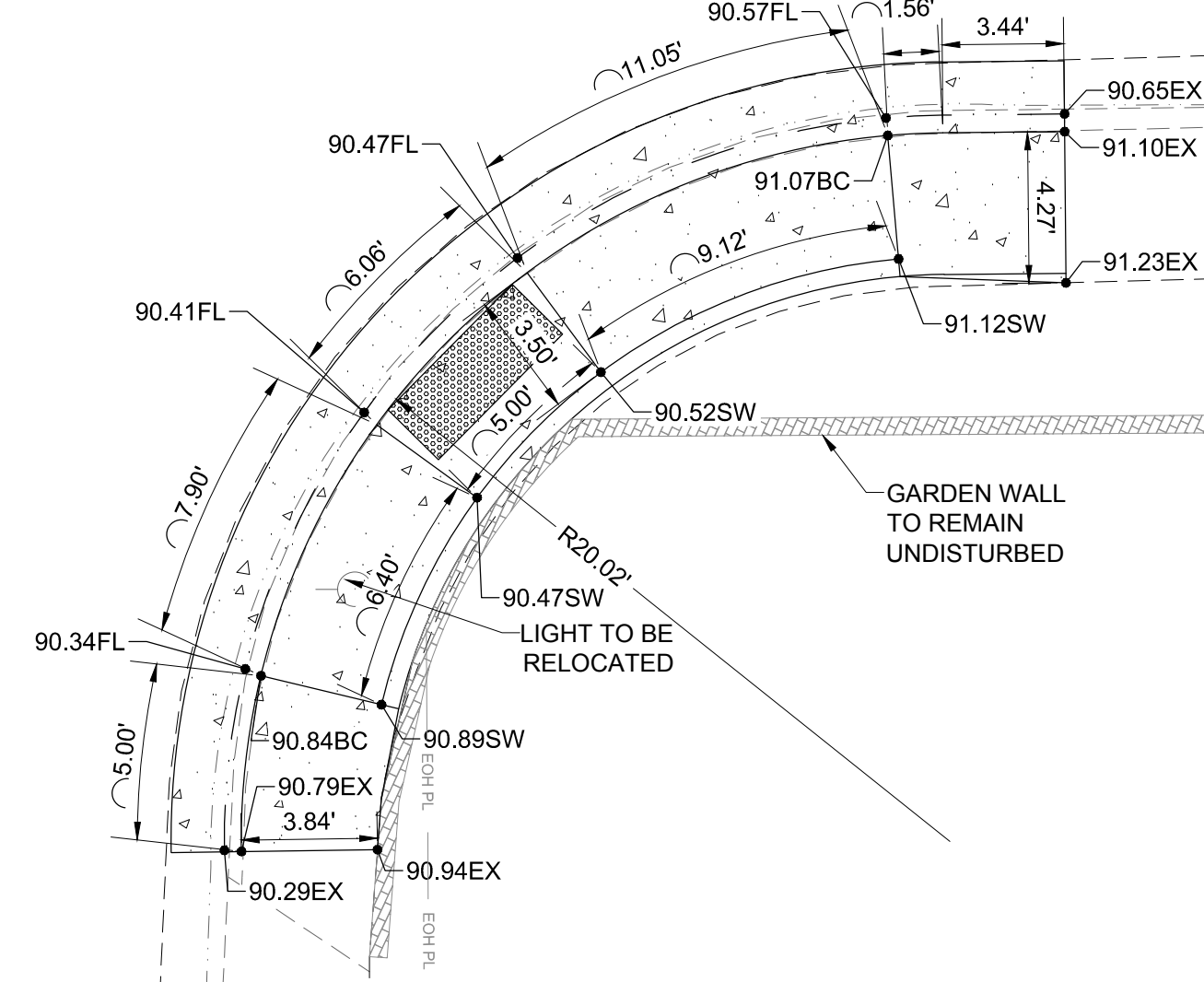
- NEW 2" COLD MILL & HMA SP-IV INLAY
- NEW 3" HMA SP-IV
- NEW CONCRETE
- NEW CURB & GUTTER
- EXISTING FIRE HYDRANT
- EXISTING POWER POLE
- EXISTING WATER METER
- EXISTING WATER VALVE
- EXISTING SEWER MAHOLE
- EXISTING ROADWAY CENTERLINE
- EXISTING OVER HEAD ELECTRIC LINES



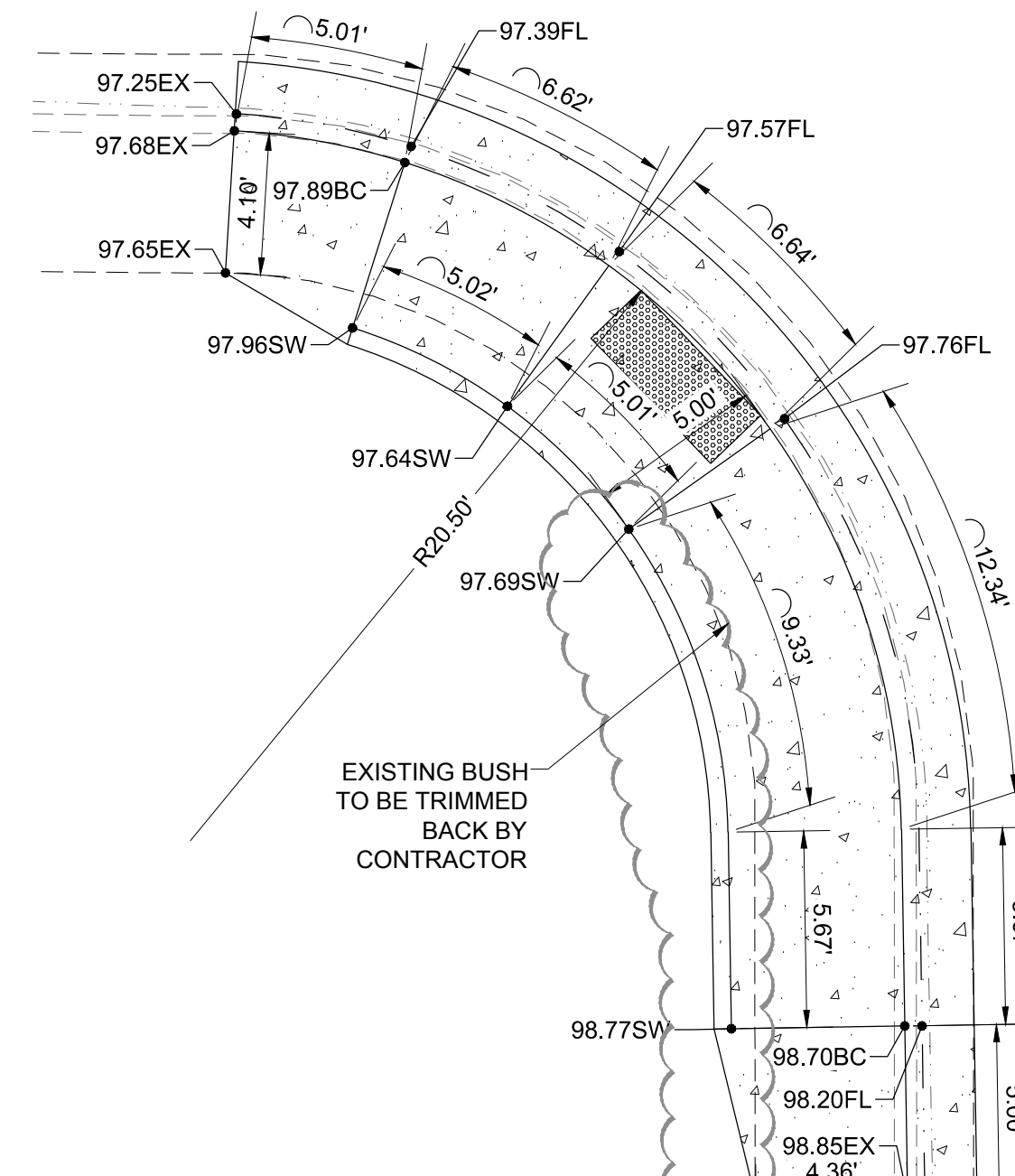
TENTH STREET
FULL SCALE: 1:30 HALF SCALE: 1:60



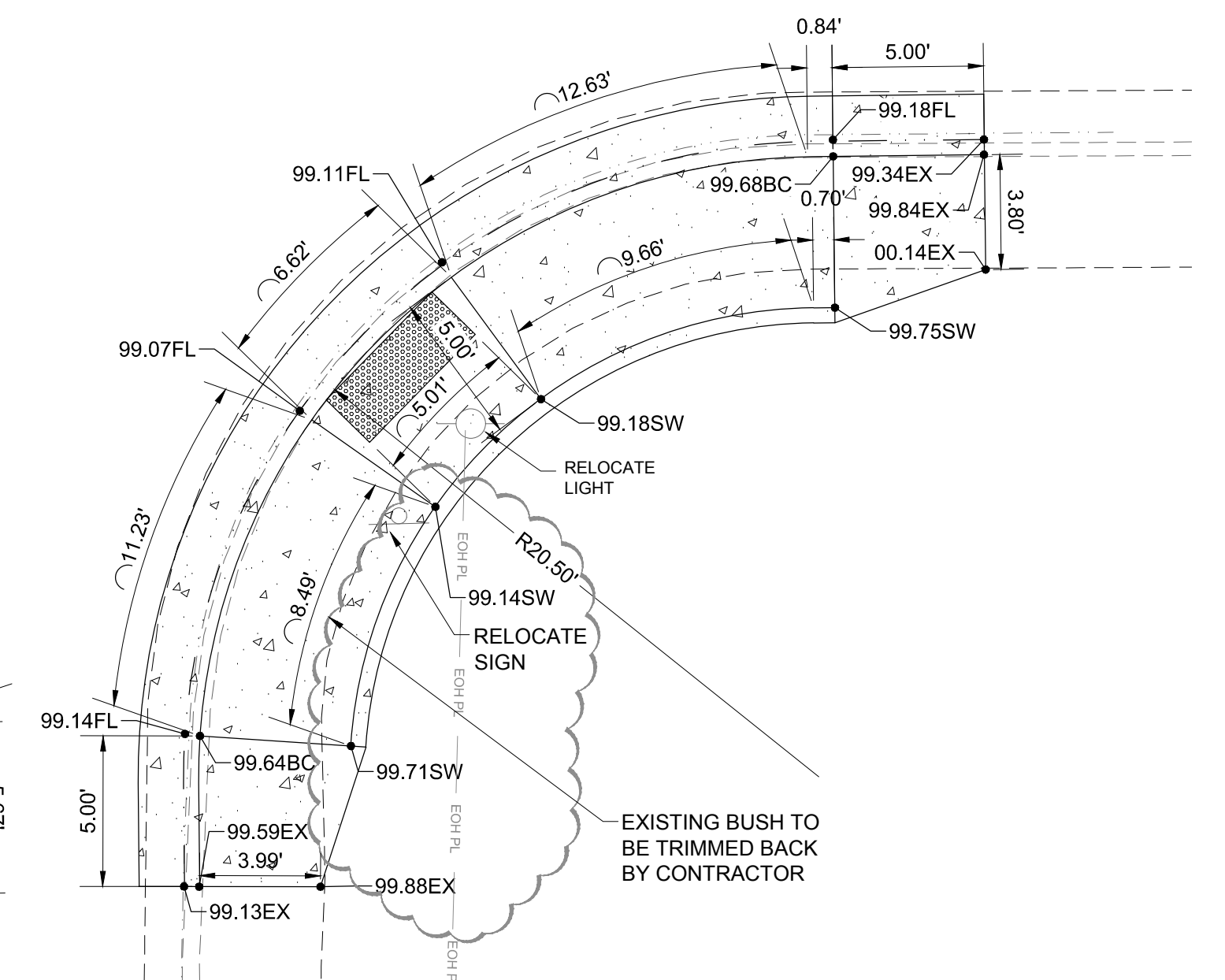
SCALED VIEW A
FULL SCALE: 1:5 HALF SCALE: 1:10



SCALED VIEW B
FULL SCALE: 1:5 HALF SCALE: 1:10



SCALED VIEW C
FULL SCALE: 1:5 HALF SCALE: 1:10



SCALED VIEW D
FULL SCALE: 1:5 HALF SCALE: 1:10

REV. No.	DATE	DESCRIPTION	APPROVED

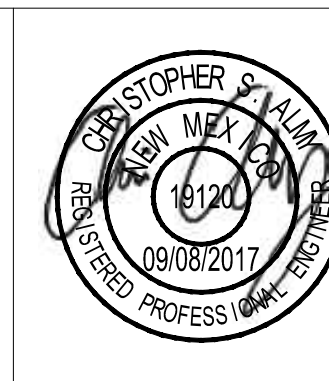
New Mexico One Call, Inc. Call 2 days before you dig!
NMOC Dial 811 or 1-800-321-2537
 Professional Resources for Damage Prevention



Street Maintenance Program FY 2017

**TENTH STREET CONSTRUCTION PLAN
STATION 26+00 TO 34+00**

CITY OF ALAMOGORDO, NEW MEXICO, ENGINEERING DEPARTMENT



OEI Ocean Engineers Inc.
 506 S MAIN ST. SUITE 600
 LAS CRUCES, NEW MEXICO 88005
 (575) 524-2007 (OFFICE)
 (575) 524-0482 (FAX)

Public Works Bid No.:	2017-010
Drawn By:	GG
Designed By:	GG
Checked By:	CA
Approved By:	CA

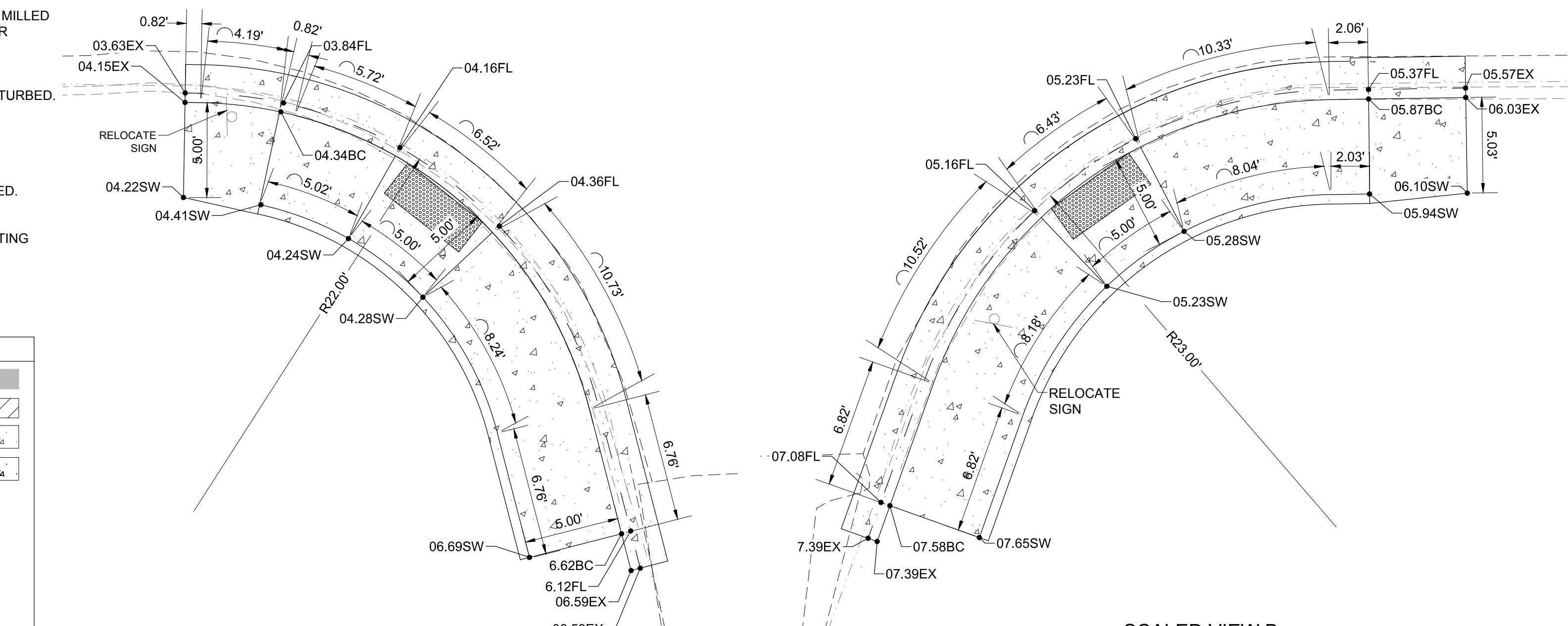
Scale: Horiz.: VARIES Vert.: n/a

Sheet No.:	RC10.0
Sheet	21 of 103
EN1701	

CONSTRUCTION PLAN KEY NOTES:

1. 2" COLD MILL & HMA SP-IV INLAY. TACK COAT MILLED SURFACE. MATCH ADJACENT CURB & GUTTER ELEVATIONS.
2. MATCH EXISTING PAVEMENT ELEVATION.
3. EXISTING CURB AND GUTTER NOT TO BE DISTURBED.
4. APPLY TACK COAT TO PAVEMENT CUT.
5. ADJUST MANHOLE TO GRADE.
6. CAUTION: OVER HEAD UTILITY LINES.
7. CURB & GUTTER TO BE REMOVED & REPLACED.
8. ADJUST VALVE BOX TO GRADE.
9. SAWCUT AND BEGIN MILL-INLAY 2' INTO EXISTING INTERSECTION HMA

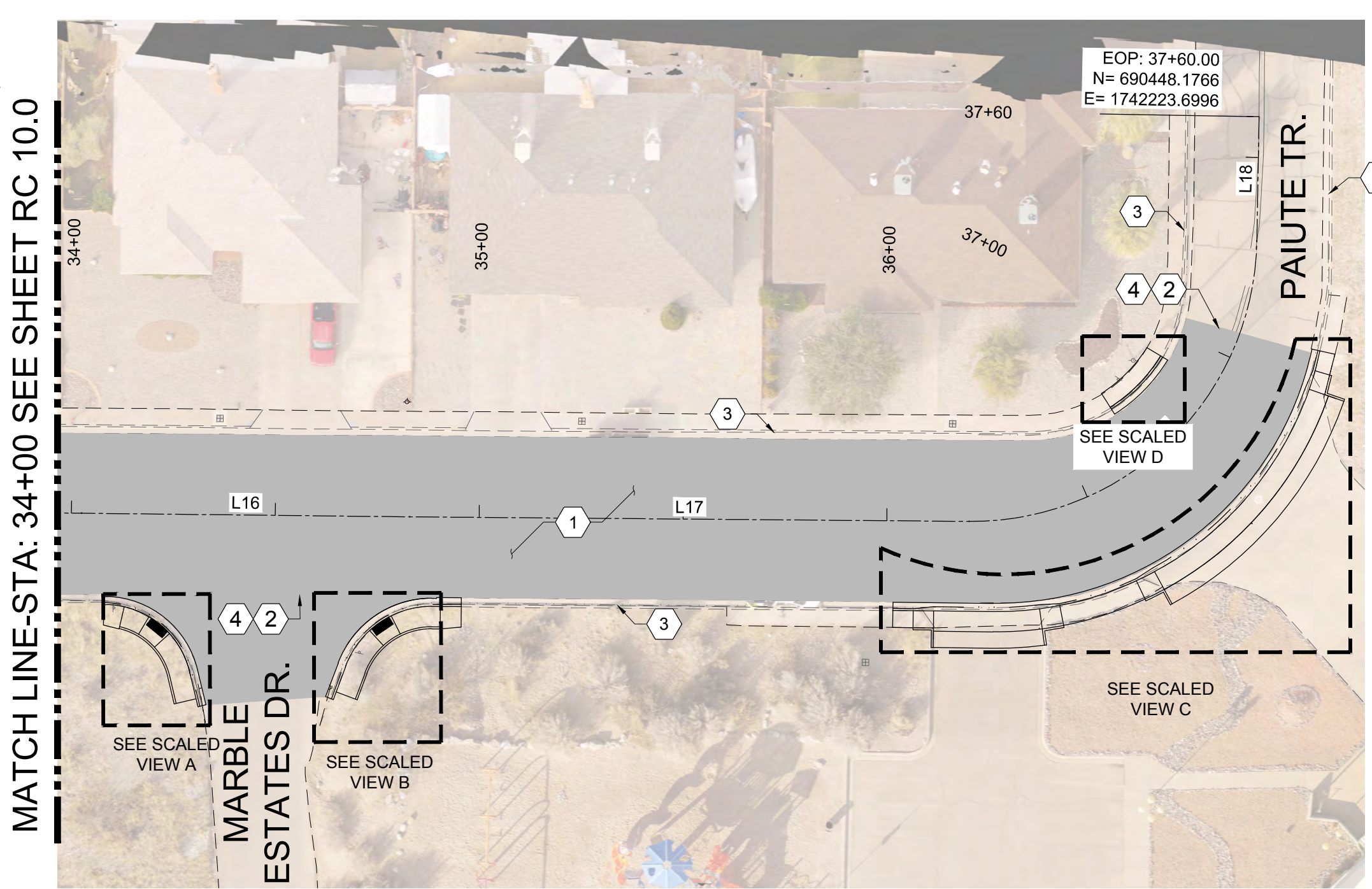
LEGEND	
NEW 2" COLD MILL & HMA SP-IV INLAY	
NEW 3" HMA SP-IV	
NEW CONCRETE	
NEW CURB & GUTTER	
EXISTING FIRE HYDRANT	
EXISTING POWER POLE	
EXISTING WATER METER	
EXISTING WATER VALVE	
EXISTING SEWER MAHOLE	
EXISTING ROADWAY CENTERLINE	
EXISTING OVER HEAD ELECTRIC LINES	



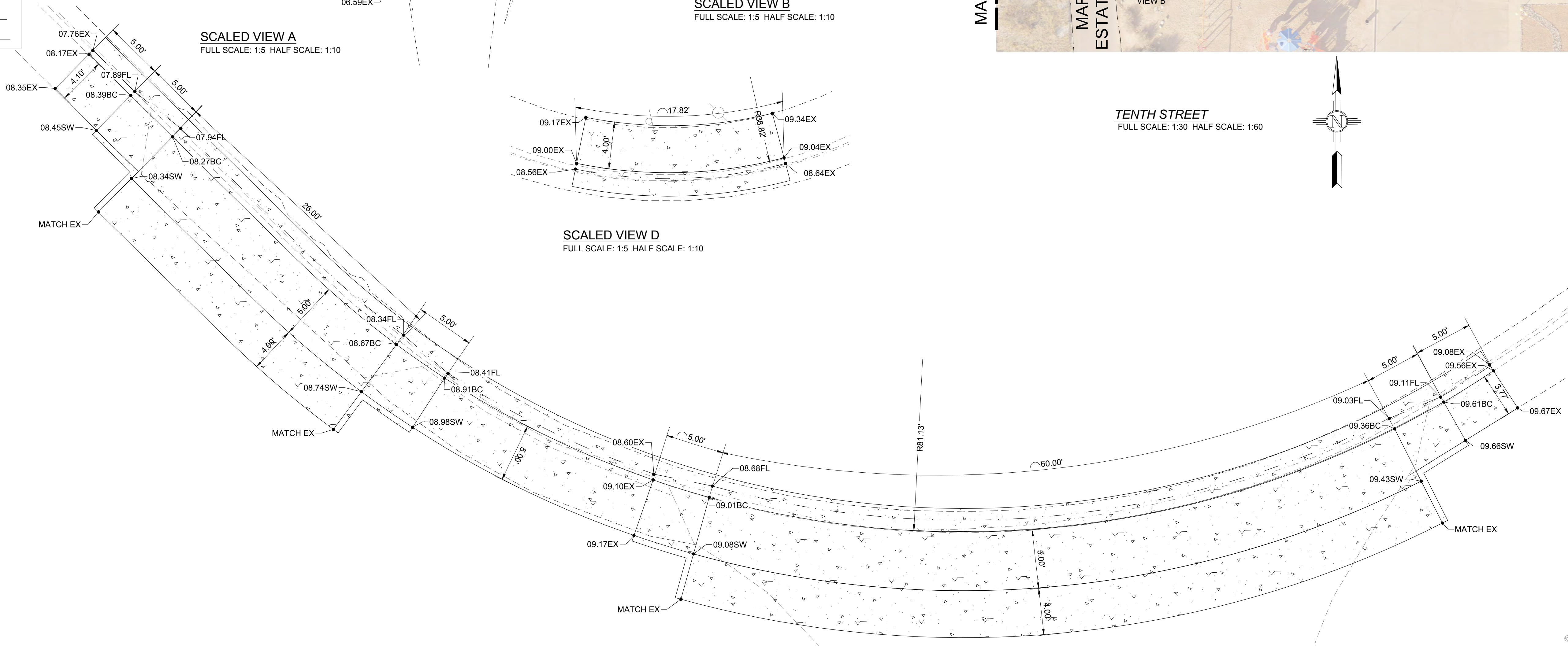
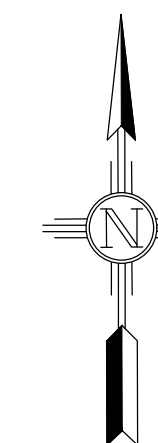
SCALED VIEW A
FULL SCALE: 1:5 HALF SCALE: 1:10

SCALED VIEW B
FULL SCALE: 1:5 HALF SCALE: 1:10

SCALED VIEW D
FULL SCALE: 1:5 HALF SCALE: 1:10



TENTH STREET
FULL SCALE: 1:30 HALF SCALE: 1:60



SCALED VIEW C
FULL SCALE: 1:5 HALF SCALE: 1:10

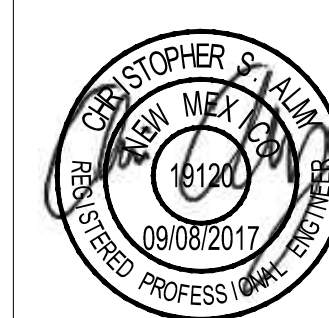
New Mexico One Call, Inc. Call 2 days before you dig!
NMOC Dial 811 or 1-800-321-2537
 Professional Resources for Damage Prevention



Street Maintenance Program FY 2017

TENTH STREET CONSTRUCTION PLAN STATION 34+00 TO 37+60

CITY OF ALAMOGORDO, NEW MEXICO, ENGINEERING DEPARTMENT



OEI Occam Engineers Inc.
 506 S MAIN ST. SUITE 600
 LAS CRUCES, NEW MEXICO 88005
 (575) 524-2007 (OFFICE)
 (575) 524-0482 (FAX)

Public Works Bid No.:	2017-010
Drawn By:	GG
Designed By:	GG
Checked By:	CA
Approved By:	CA

Scale: Horiz.: VARIES Vert.: n/a

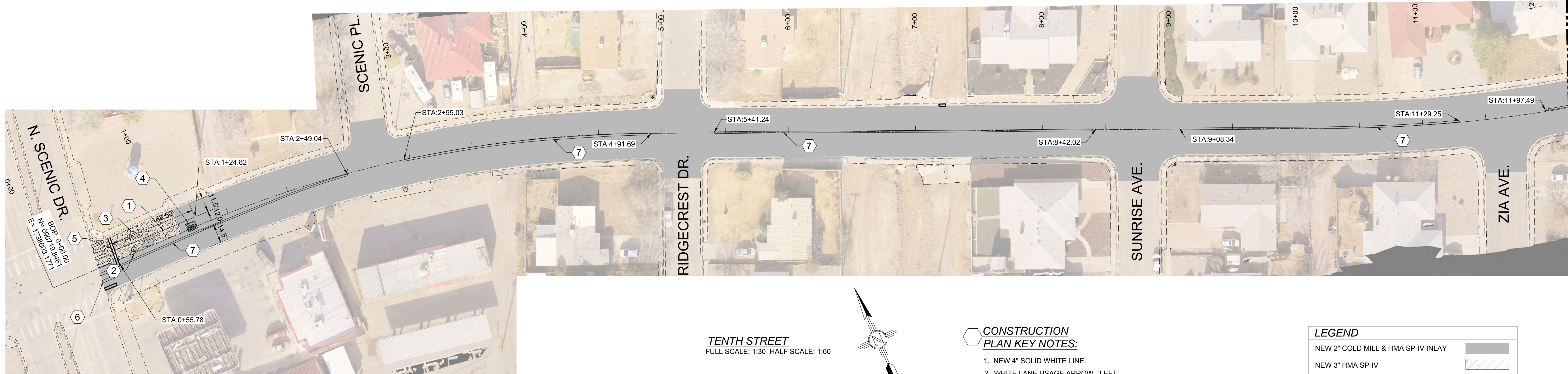
Sheet No.:

RC 11.0

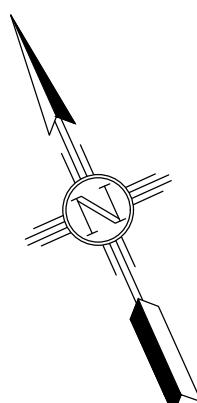
Sheet 22 of 103

EN1701

REV. No.	DATE	DESCRIPTION	APPROVED



TENTH STREET
FULL SCALE: 1:30 HALF SCALE: 1:60



CONSTRUCTION PLAN KEY NOTES:

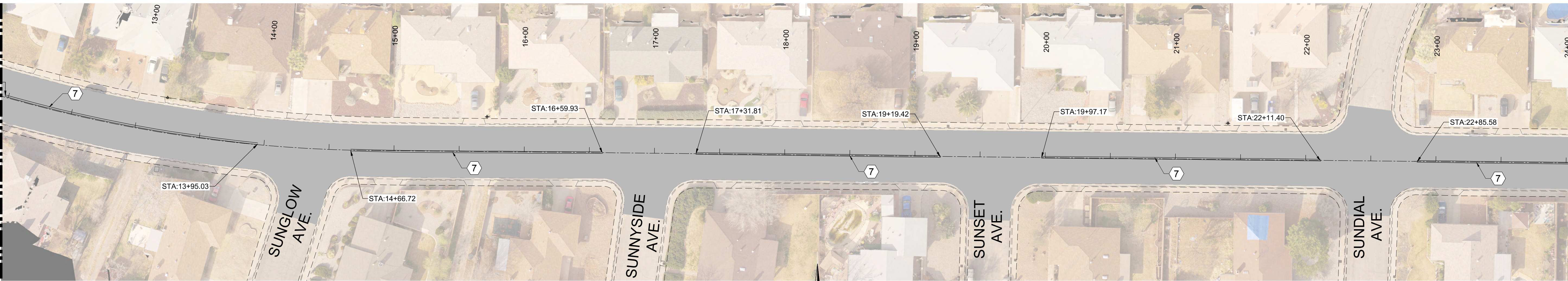
1. NEW 4" SOLID WHITE LINE.
2. WHITE LANE USAGE ARROW - LEFT.
3. WHITE LANE USAGE ARROW - STRAIGHT - RIGHT.
4. WHITE LANE USAGE "ONLY".
5. 24" SOLID WHITE STOP BAR - 4' FROM CROSSWALK.
6. 24" SOLID WHITE CROSSWALK, 6' WIDE.
7. DOUBLE 4" WIDE, SOLID YELLOW LINES.
8. 4" CENTERLINE DASHED YELLOW LINE.

LEGEND

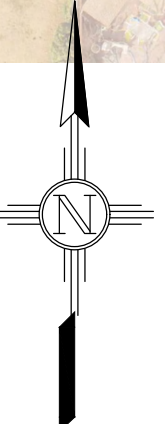
NEW 2" COLD MILL & HMA SP-IV INLAY	
NEW 3" HMA SP-IV	
NEW CONCRETE	
EXISTING FIRE HYDRANT	
EXISTING POWER POLE	
EXISTING WATER METER	
EXISTING WATER VALVE	
EXISTING SEWER MAHOLE	
EXISTING ROADWAY CENTERLINE	
EXISTING OVER HEAD ELECTRIC LINES	

MATCH LINE-STA: 12+00 SEE SHEET HEREON

MATCH LINE-STA: 12+00 SEE SHEET HEREON



TENTH STREET
FULL SCALE: 1:30 HALF SCALE: 1:60



MATCH LINE-STA: 24+00 SEE SHEET S4.0

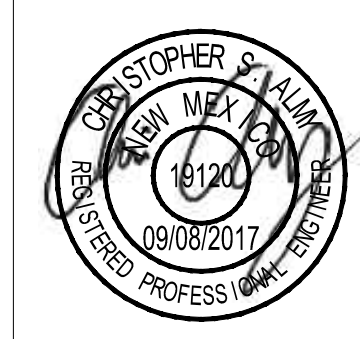
New Mexico One Call, Inc. Call 2 days before you dig!
NMOC Dial 811 or 1-800-321-2537
 Professional Resources for Damage Prevention



Street Maintenance Program FY 2017

**TENTH STREET STRIPING PLAN
STATION 0+00 TO 24+00**

CITY OF ALAMOGORDO, NEW MEXICO, ENGINEERING DEPARTMENT



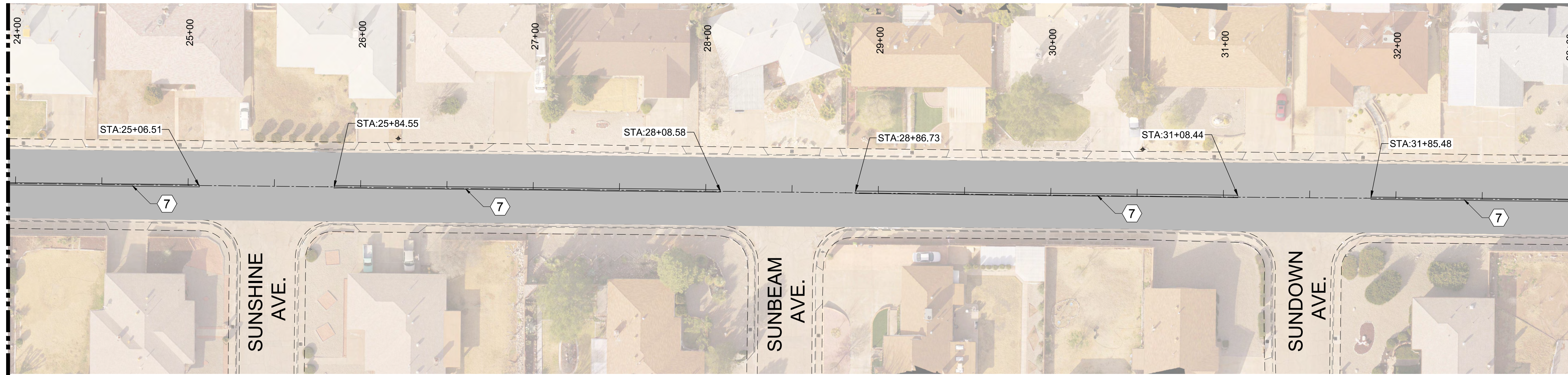
Public Works Bid No.:	2017-010
Drawn By:	GG
Designed By:	GG
Checked By:	CA
Approved By:	CA

Scale: Horiz.: 1" = 30' Vert.: n/a

Sheet No.:	ST 3.0
Sheet	56 of 103
	EN1701

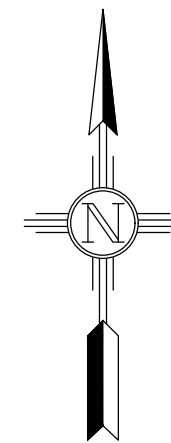
REV. No.	DATE	DESCRIPTION	APPROVED

MATCH LINE-STA: 24+00 SEE SHEET S 3.0



MATCH LINE-STA: 33+00 SEE SHEET HEREON

TENTH STREET
FULL SCALE: 1:30 HALF SCALE: 1:60



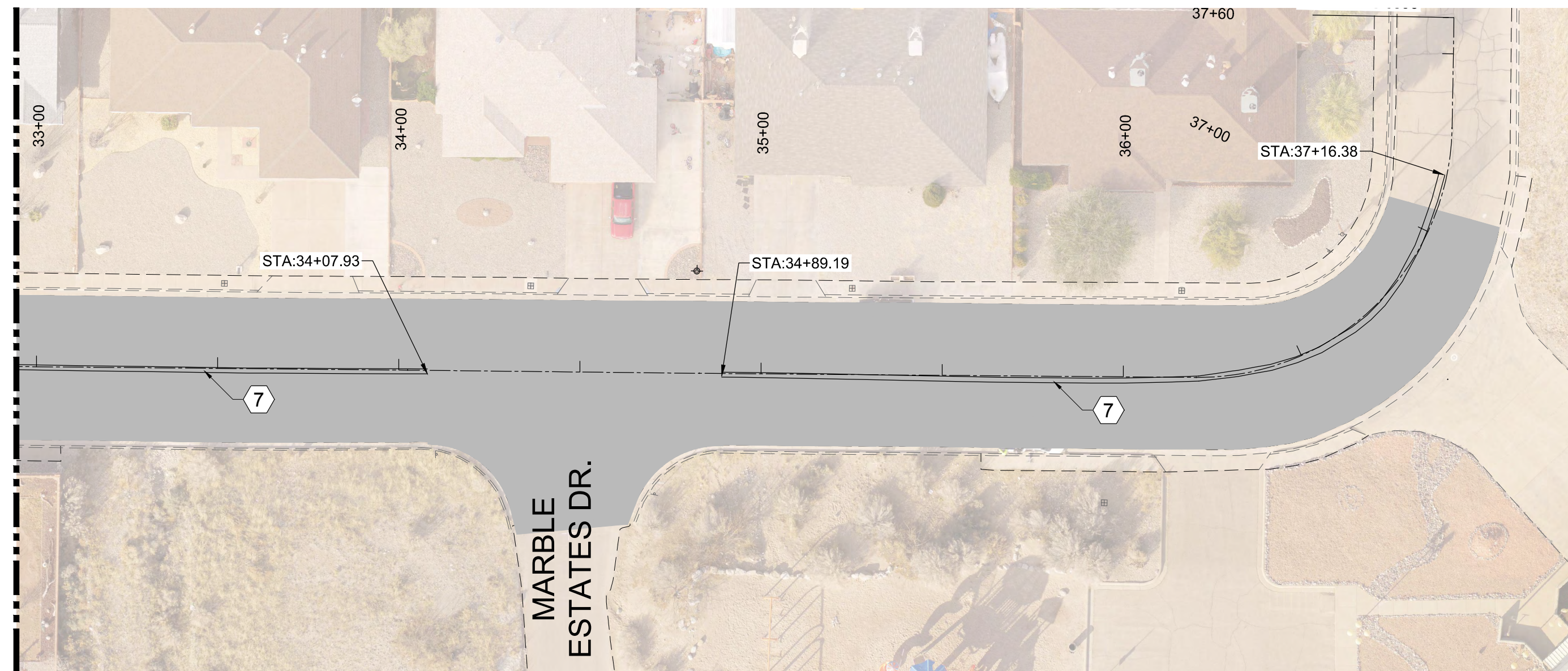
CONSTRUCTION PLAN KEY NOTES:

1. NEW 4" SOLID WHITE LINE.
2. WHITE LANE USAGE ARROW - LEFT .
3. WHITE LANE USAGE ARROW - STRAIGHT - RIGHT.
4. WHITE LANE USAGE "ONLY".
5. 24" SOLID WHITE STOP BAR - 4' FROM CROSSWALK .
6. 24" SOLID WHITE CROSSWALK , 6' WIDE.
7. DOUBLE 4" WIDE, SOLID YELLOW LINES.
8. 4' CENTERLINE DASHED YELLOW LINE.

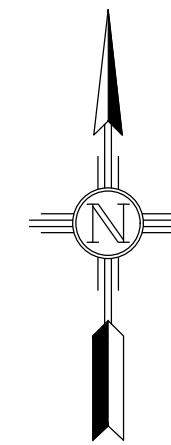
LEGEND

NEW 2" COLD MILL & HMA SP-IV INLAY	
NEW 3" HMA SP-IV	
NEW CONCRETE	
EXISTING FIRE HYDRANT	
EXISTING POWER POLE	
EXISTING WATER METER	
EXISTING WATER VALVE	
EXISTING SEWER MAHOLE	
EXISTING ROADWAY CENTERLINE	
EXISTING OVER HEAD ELECTRIC LINES	

MATCH LINE-STA: 33+00 SEE SHEET HEREON



TENTH STREET
FULL SCALE: 1:30 HALF SCALE: 1:60



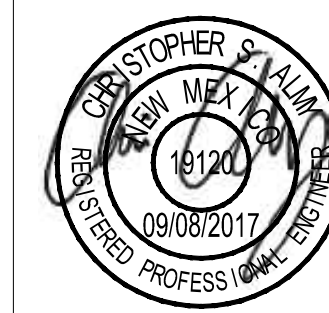
New Mexico One Call, Inc. Call 2 days before you dig!
NMOC Dial 811 or 1-800-321-2537
Professional Resources for Damage Prevention



Street Maintenance Program FY 2017

**TENTH STREET STRIPING PLAN
STATION 24+00 TO 37+60**

CITY OF ALAMOGORDO, NEW MEXICO, ENGINEERING DEPARTMENT



OEI Occam Engineers Inc.
506 S MAIN ST. SUITE 600
LAS CRUCES, NEW MEXICO 88005
(575) 524-2007 (OFFICE)
(575) 524-0482 (FAX)

Public Works Bid No.: 2017-010
Drawn By: GG Designed By: GG
Checked By: CA Approved By: CA

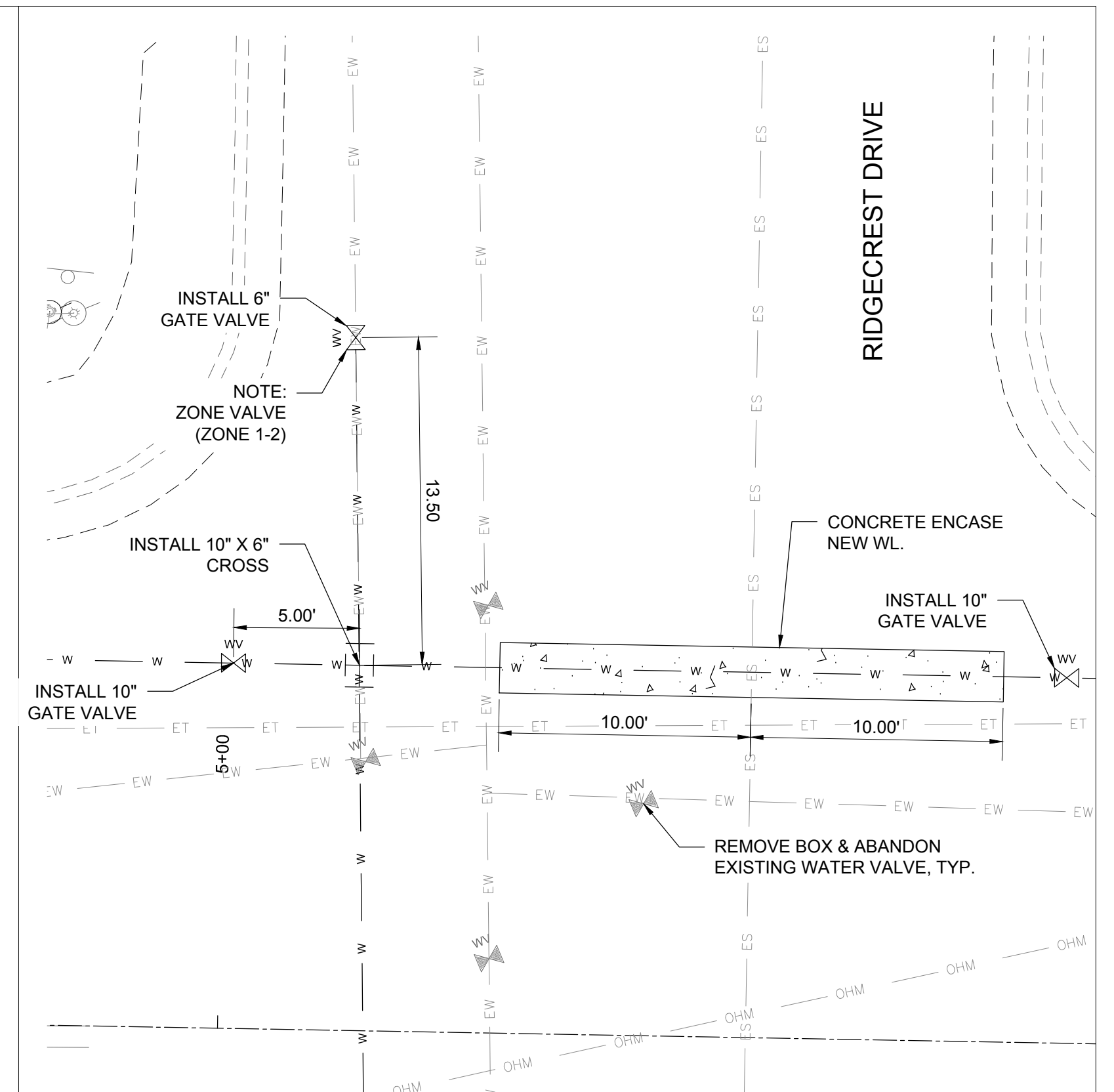
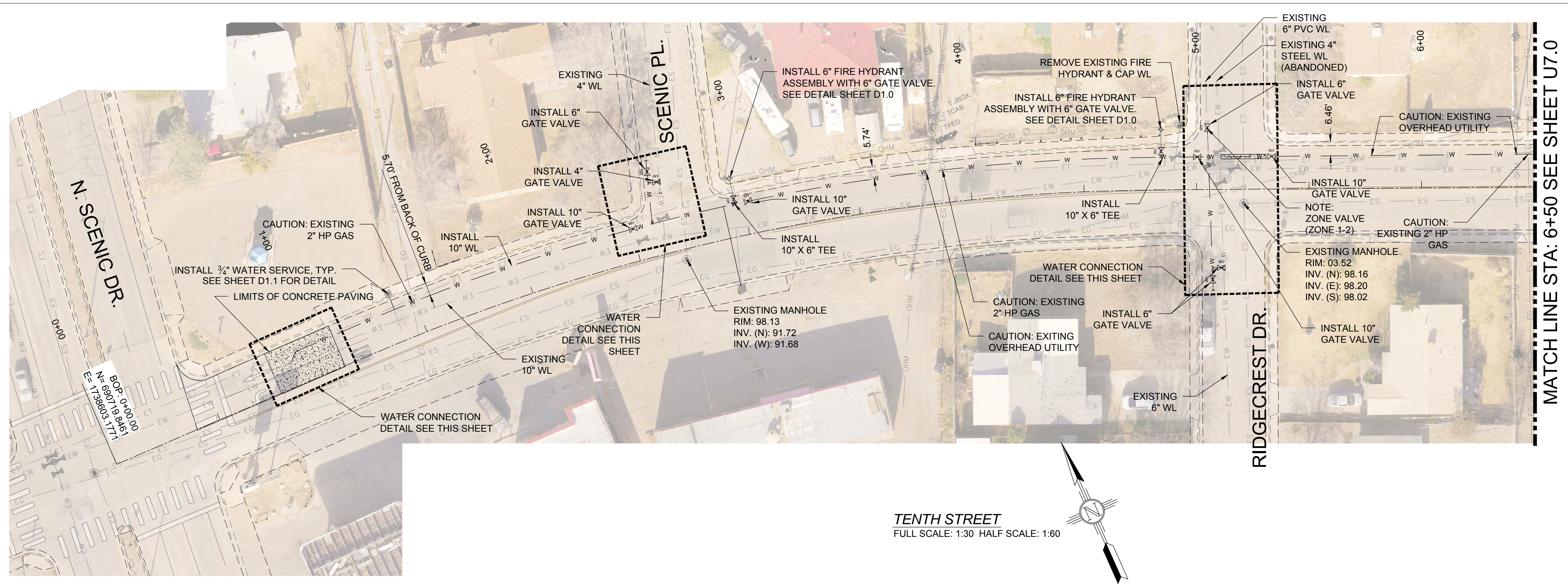
Scale: Horiz.: 1"=30' Vert.: n/a

Sheet No.: **ST 4.0**

Sheet 57 of 103

EN1701

REV. No.	DATE	DESCRIPTION	APPROVED



TENTH STREET
FULL SCALE: 1:30 HALF SCALE: 1:60

TENTH STREET AND
RIDGECREST DRIVE
FULL SCALE: 1:5 HALF SCALE: 1:10

EXISTING UTILITY LEGEND

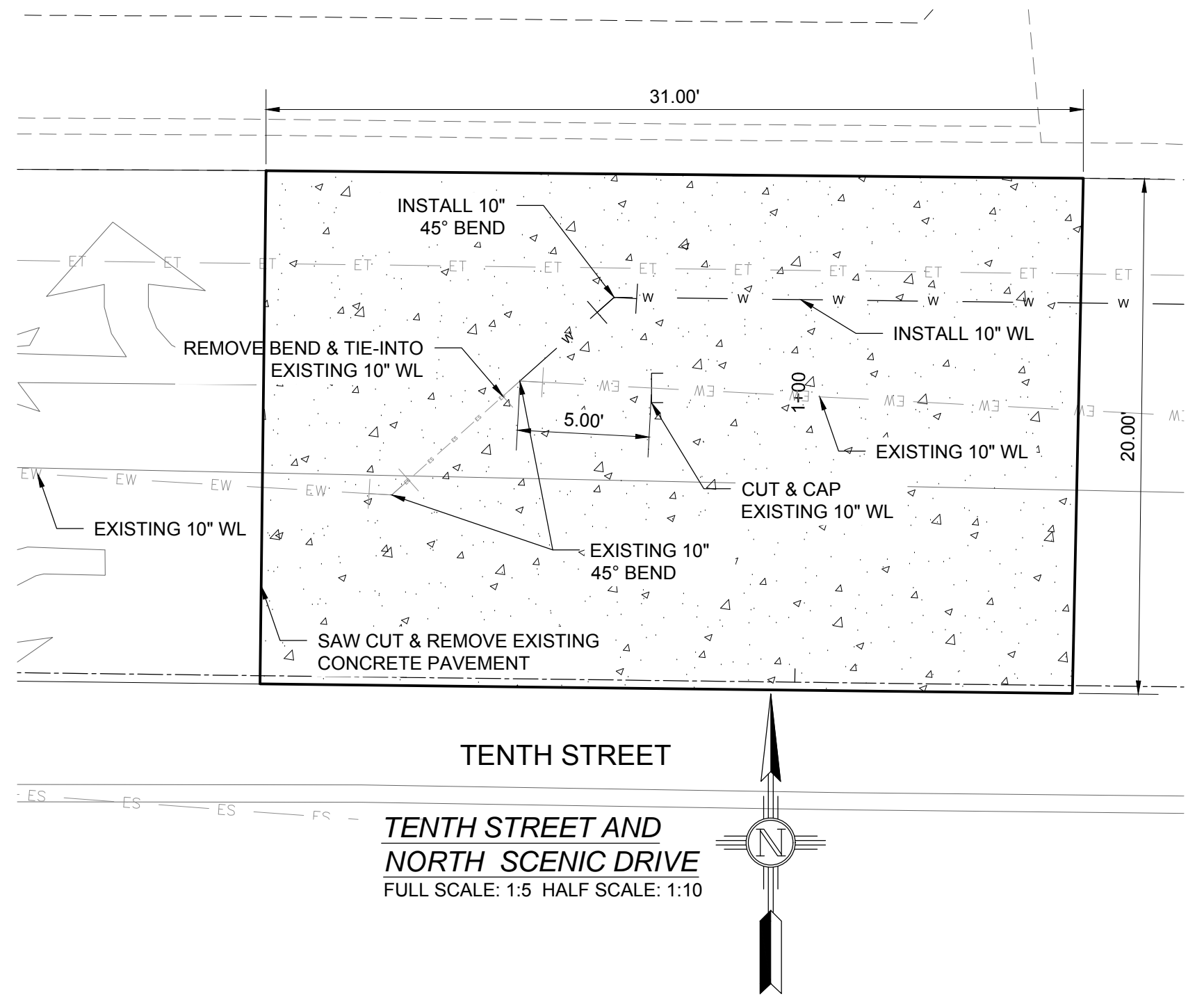
— OHM — OHM —	EXISTING OVER MULTIPLE LINES
— ES — ES —	EXISTING SEWER
— EW — EW —	EXISTING WATER
— EG — EG —	EXISTING UNDERGROUND GAS
— ET — ET —	EXISTING UNDERGROUND TELEPHONE

TENTH ST. WATER SERVICES

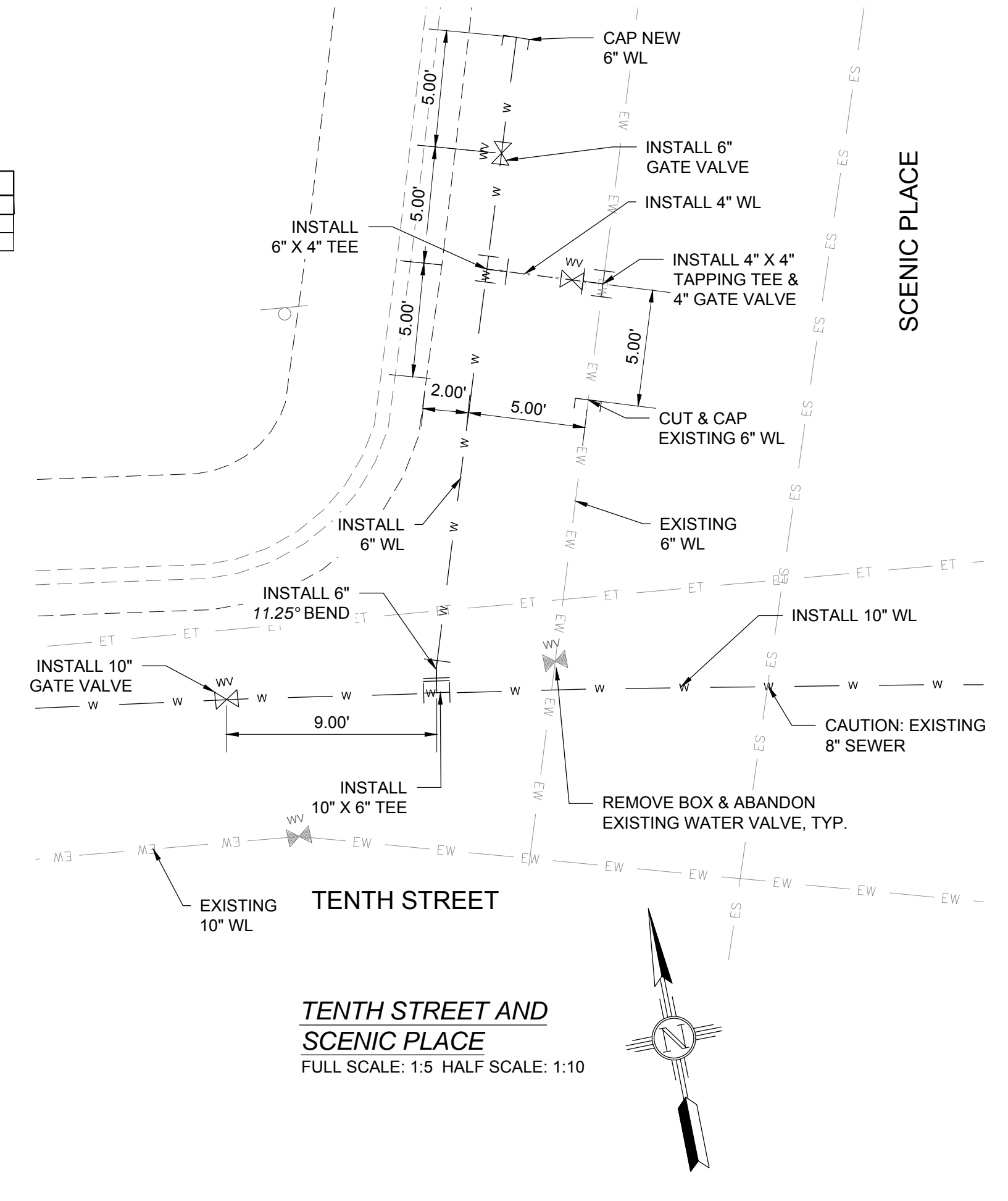
STA. AND OFFSET	SIZE	LENGTH
1+40.29, 22.05 LT	3/4"	7.50'
2+91.24, 21.60 RT	1"	36.1'

TENTH ST. 6" FIRE HYDRANT ASSEMBLY

STA. AND OFFSET	LENGTH
2+96.38, 26.08 LT	11.00'
4+91.22, 27.54 LT	12.30'



TENTH STREET AND
NORTH SCENIC DRIVE
FULL SCALE: 1:5 HALF SCALE: 1:10



TENTH STREET AND
SCENIC PLACE
FULL SCALE: 1:5 HALF SCALE: 1:10

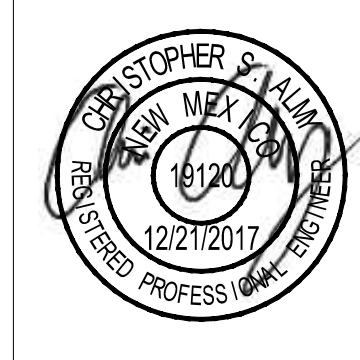
New Mexico One Call, Inc. Call 2 days before you dig!
NMOC Dial 811 or 1-800-321-2537
 Professional Resources for Damage Prevention



Street Maintenance Program FY 2017

**TENTH STREET WATER LINE REPLACEMENT
STATION 0+00 TO 6+50**

CITY OF ALAMOGORDO, NEW MEXICO, ENGINEERING DEPARTMENT



OEI Occam Engineers Inc.
 506 S MAIN ST., SUITE 600
 LAS CRUCES, NEW MEXICO 88005
 (575) 524-2007 (OFFICE)
 (575) 524-0432 (FAX)

Public Works Bid No.: 2017-010

Drawn By: GG	Designed By: GG
Checked By: CA	Approved By: CA

Scale: Horiz.: Varies Vert.: n/a

Sheet No.: **U 6.0**

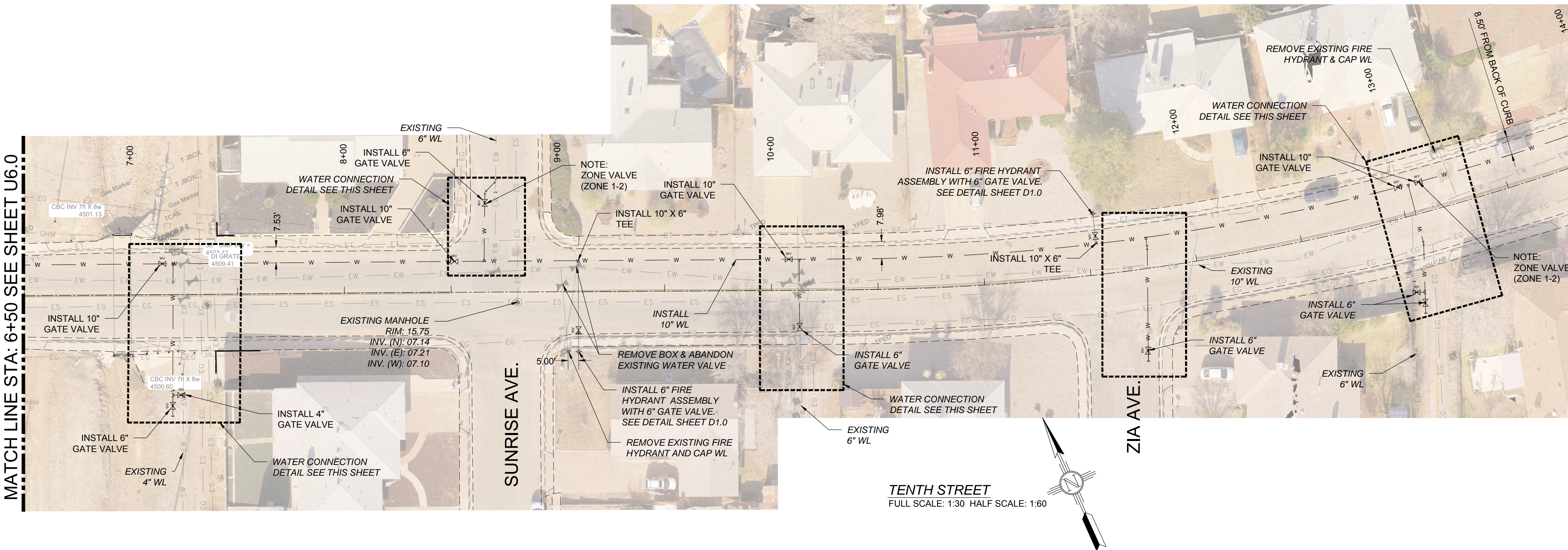
Sheet 66 of 103

EN1701

REV. No.	DATE	DESCRIPTION	APPROVED
1	12-21-17	AMENDMENT-1	CA
0	9-08-17	ISSUED FOR CONSTRUCTION	CA

MATCH LINE STA: 6+50 SEE SHEET U6.0

MATCH LINE STA: 14+00 SEE SHEET U8.0



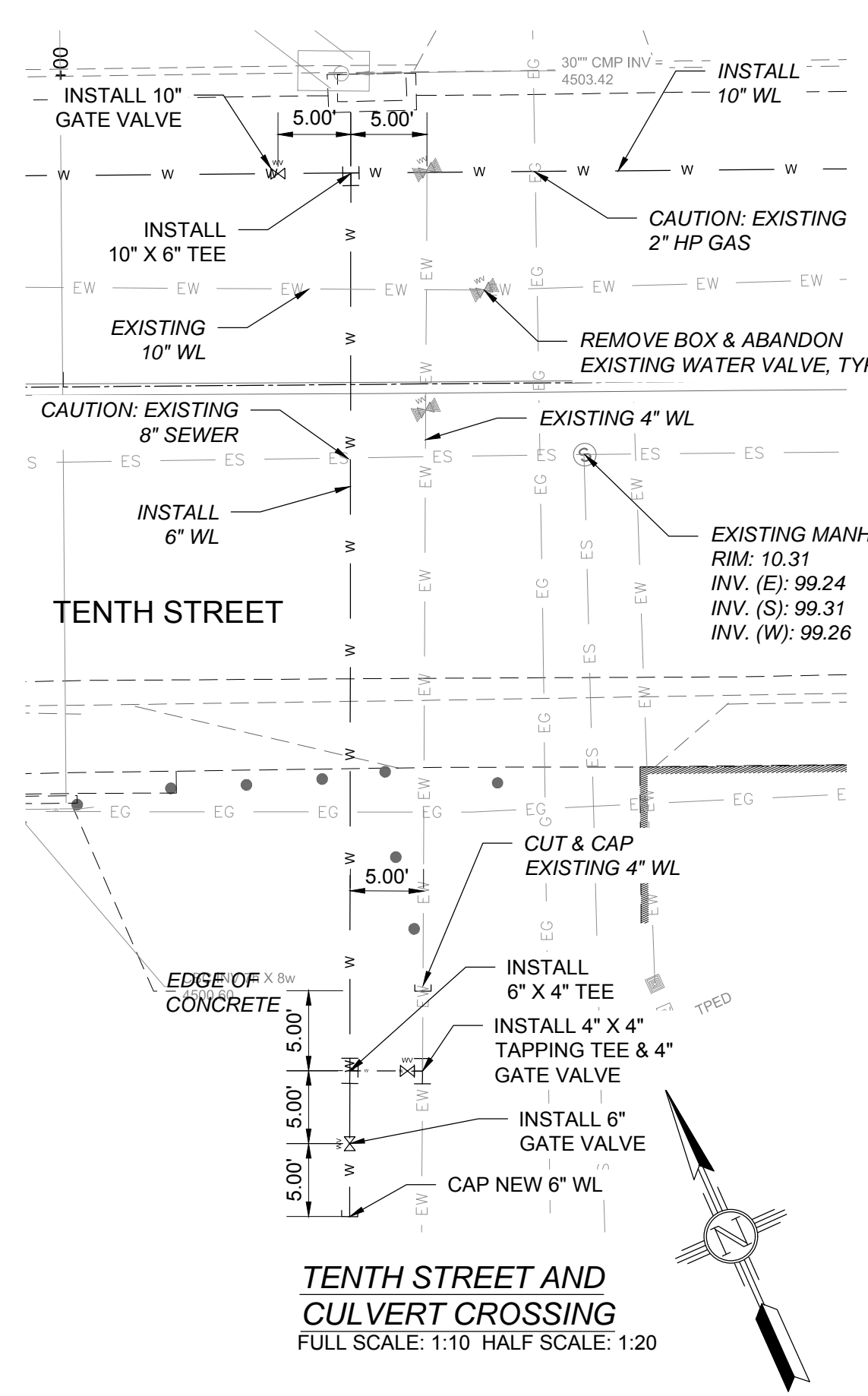
EXISTING UTILITY LEGEND

— OHM — OHM —	EXISTING OVER MULTIPLE LINES
— ES — ES —	EXISTING SEWER
— EW — EW —	EXISTING WATER
— EG — EG —	EXISTING UNDERGROUND GAS
— ET — ET —	EXISTING UNDERGROUND TELEPHONE

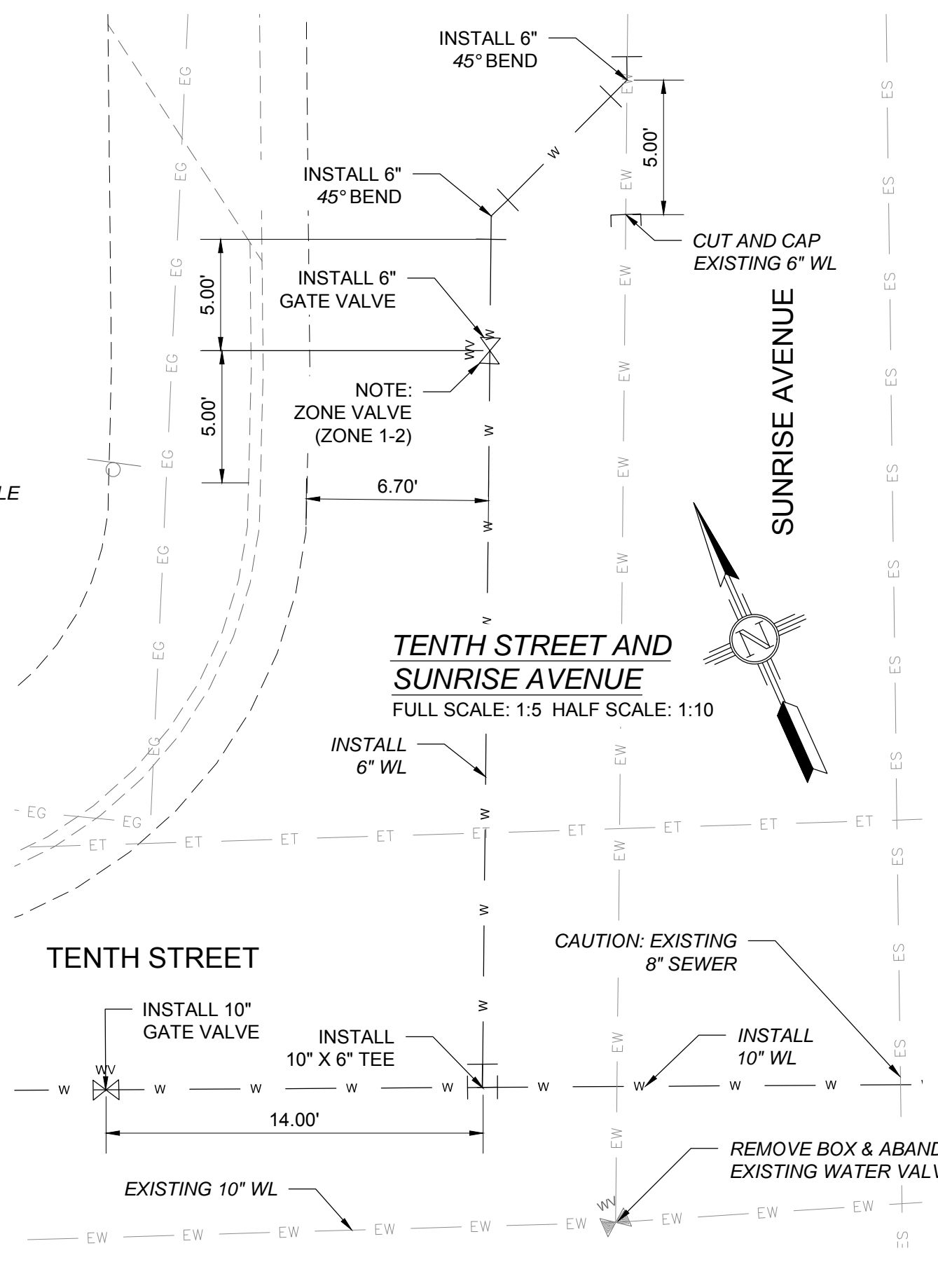
TENTH ST. 6" FIRE HYDRANT ASSEMBLY

STA. AND OFFSET	LENGTH
9+09.58, 28.08 RT	41.80'
11+54.20, 28.71 LT	13.50'

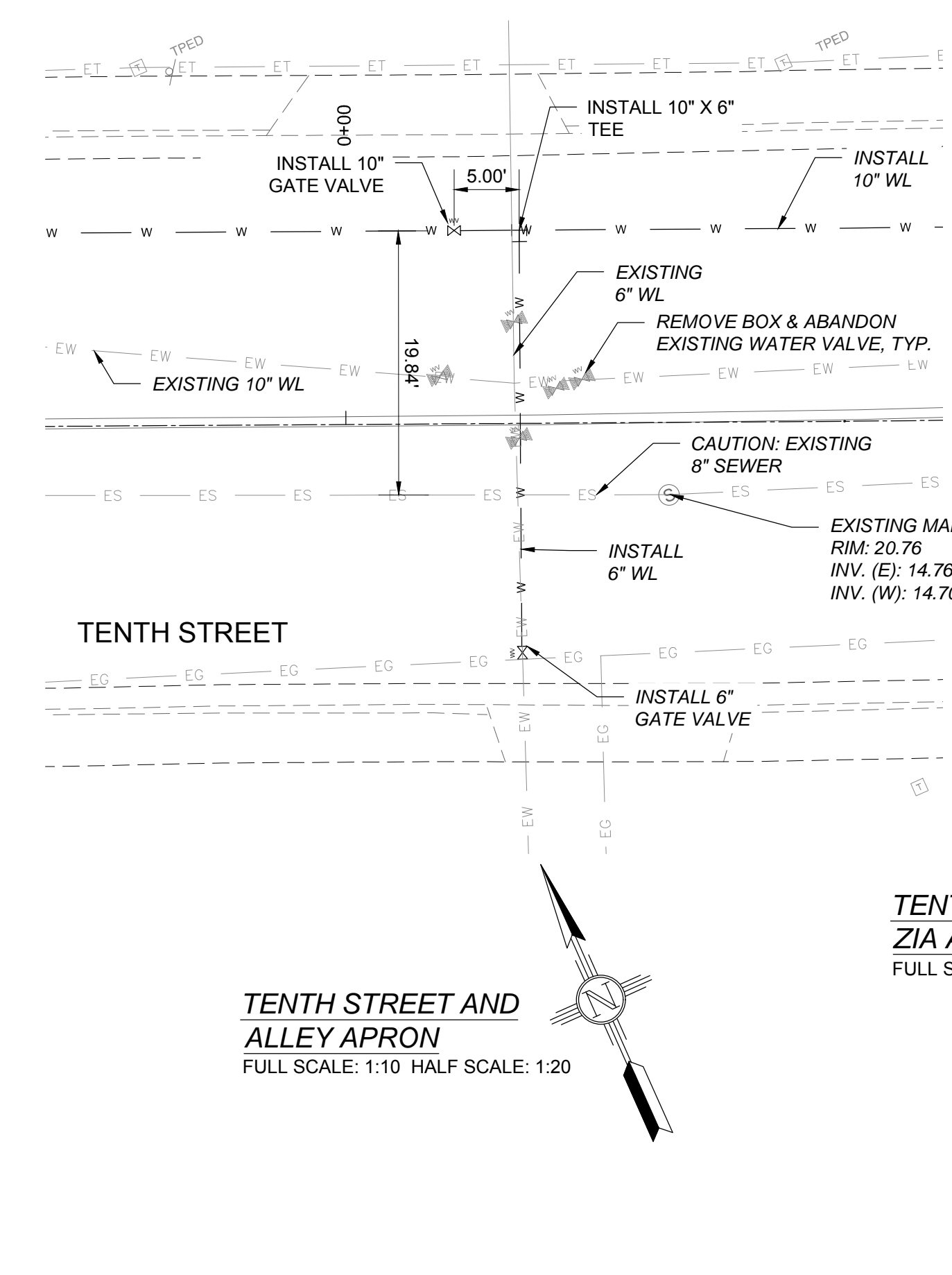
TENTH STREET
FULL SCALE: 1:30 HALF SCALE: 1:60



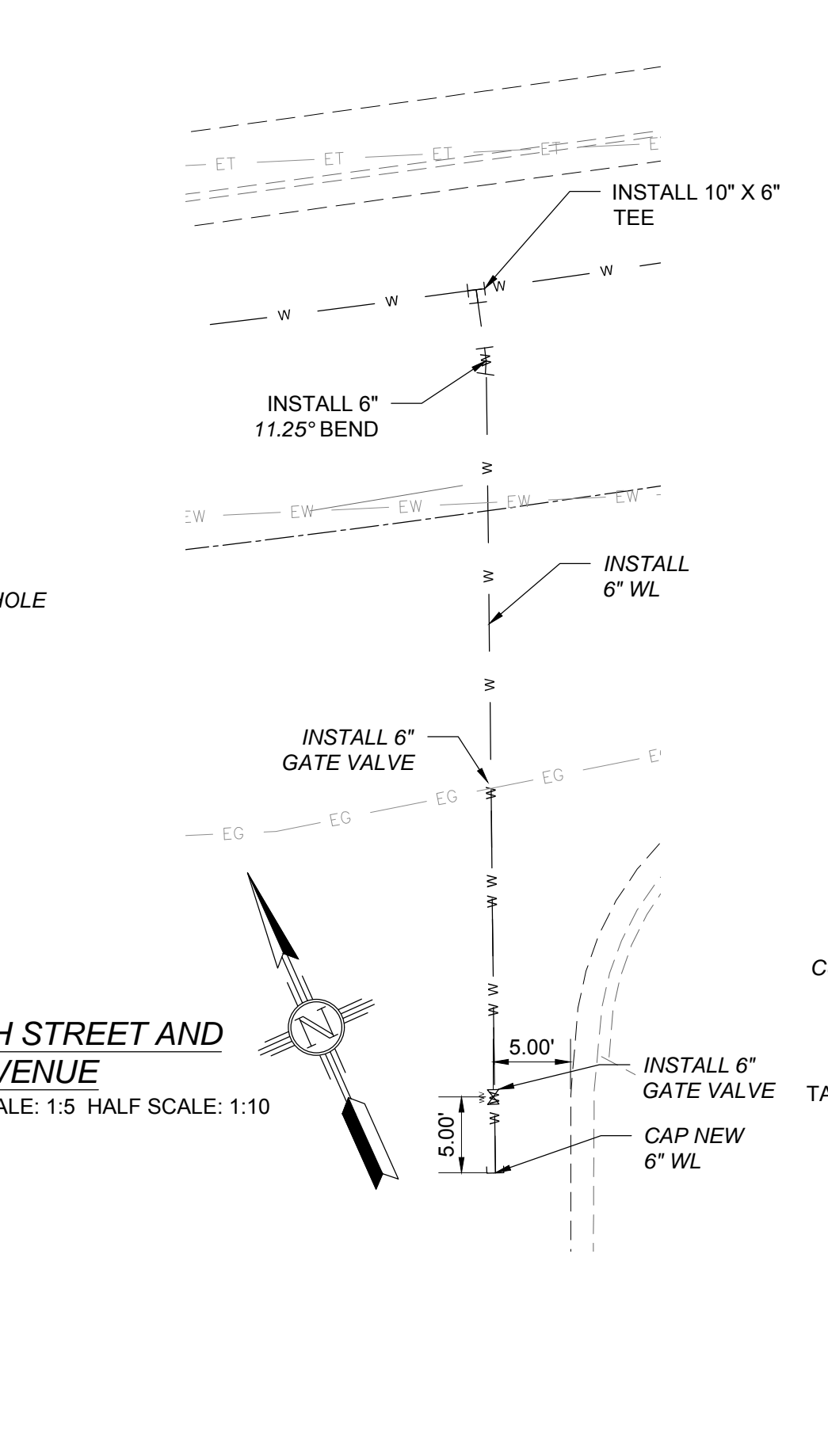
TENTH STREET AND CULVERT CROSSING
FULL SCALE: 1:10 HALF SCALE: 1:20



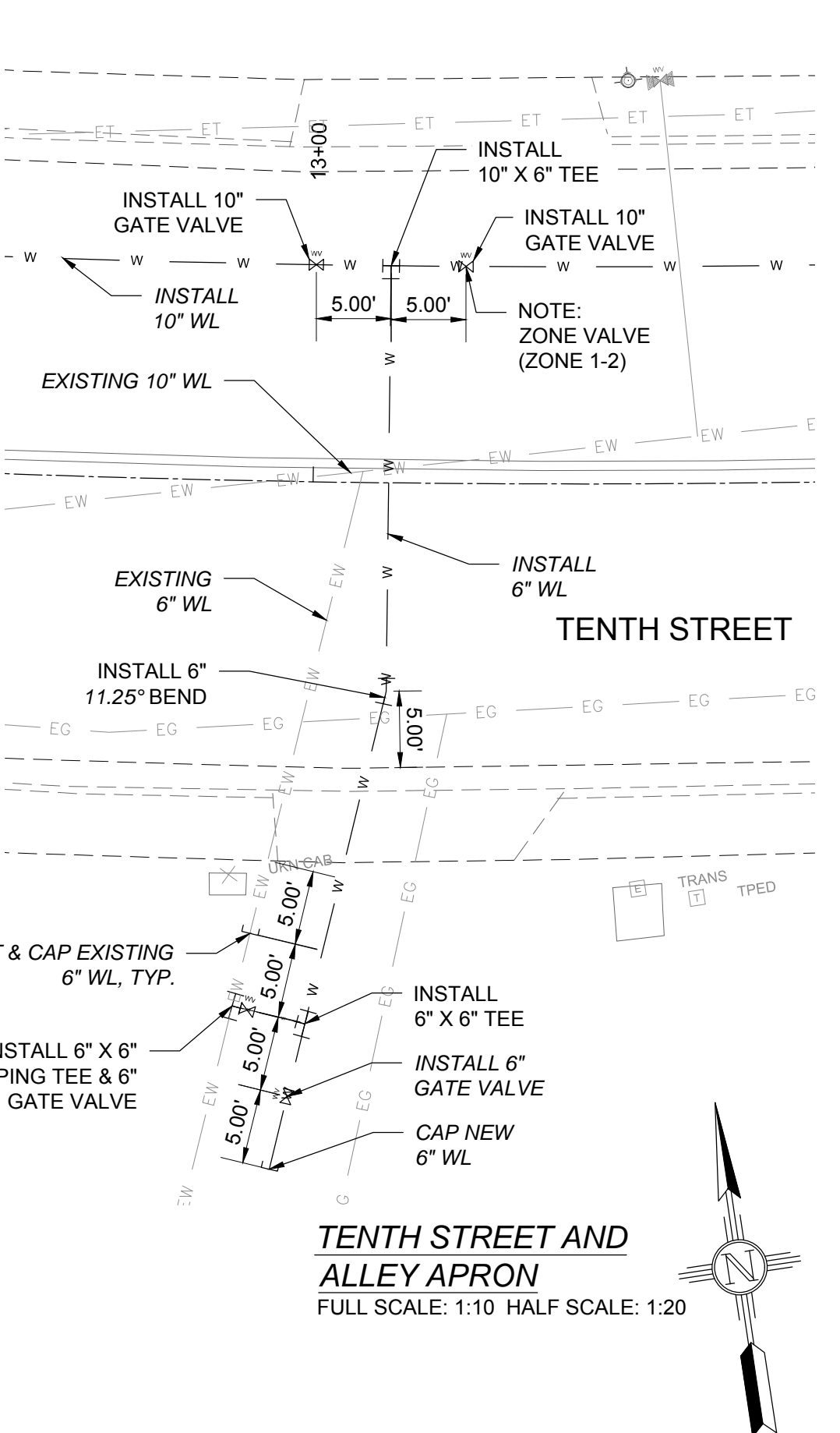
TENTH STREET AND SUNRISE AVENUE
FULL SCALE: 1:5 HALF SCALE: 1:10



TENTH STREET AND ALLEY APRON
FULL SCALE: 1:10 HALF SCALE: 1:20



TENTH STREET AND ZIA AVENUE
FULL SCALE: 1:5 HALF SCALE: 1:10



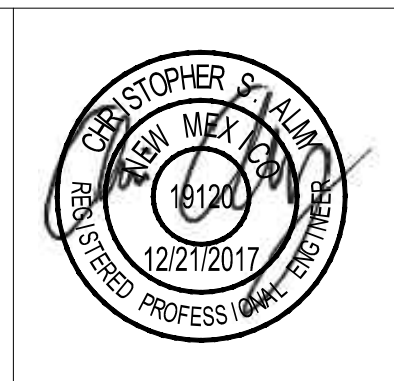
TENTH STREET AND ALLEY APRON
FULL SCALE: 1:10 HALF SCALE: 1:20

REV. No.	DATE	DESCRIPTION	APPROVED
1	12-21-17	AMENDMENT-1	CA
0	9-08-17	ISSUED FOR CONSTRUCTION	CA

New Mexico One Call, Inc. Call 2 days before you dig!
NMOC Dial 811 or 1-800-321-2537
 Professional Resources for Damage Prevention



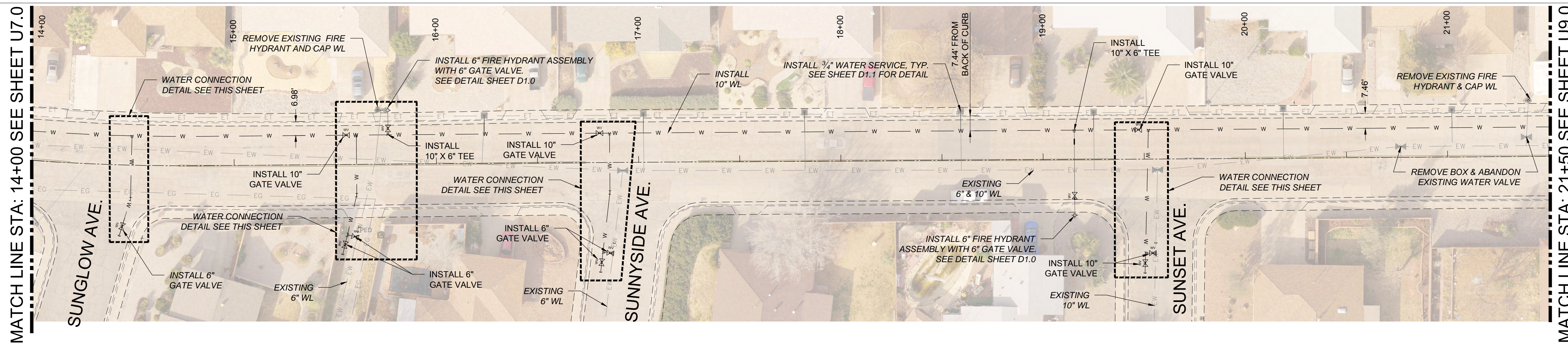
Street Maintenance Program FY 2017
TENTH STREET WATER LINE REPLACEMENT
 STATION 6+50 TO 14+00
 CITY OF ALAMOGORDO, NEW MEXICO, ENGINEERING DEPARTMENT



OEI Ocean Engineers Inc.
 506 S MAIN ST. SUITE 600
 LAS CRUCES, NEW MEXICO 88005
 (575) 524-2007 (OFFICE)
 (575) 524-0482 (FAX)

Public Works Bid No.: 2017-010
 Drawn By: GG Designed By: GG
 Checked By: CA Approved By: CA
 Scale: Horiz.: Varies Vert.: n/a

Sheet No.: **U 7.0**
 Sheet 67 of 103
 EN1701



MATCH LINE STA: 14+00 SEE SHEET U7.0

MATCH LINE STA: 21+50 SEE SHEET U9.0

EXISTING UTILITY LEGEND

- OHM — OHM — EXISTING OVER MULTIPLE LINES
- ES — ES — EXISTING SEWER
- EW — EW — EXISTING WATER
- EG — EG — EXISTING UNDERGROUND GAS
- ET — ET — EXISTING UNDERGROUND TELEPHONE

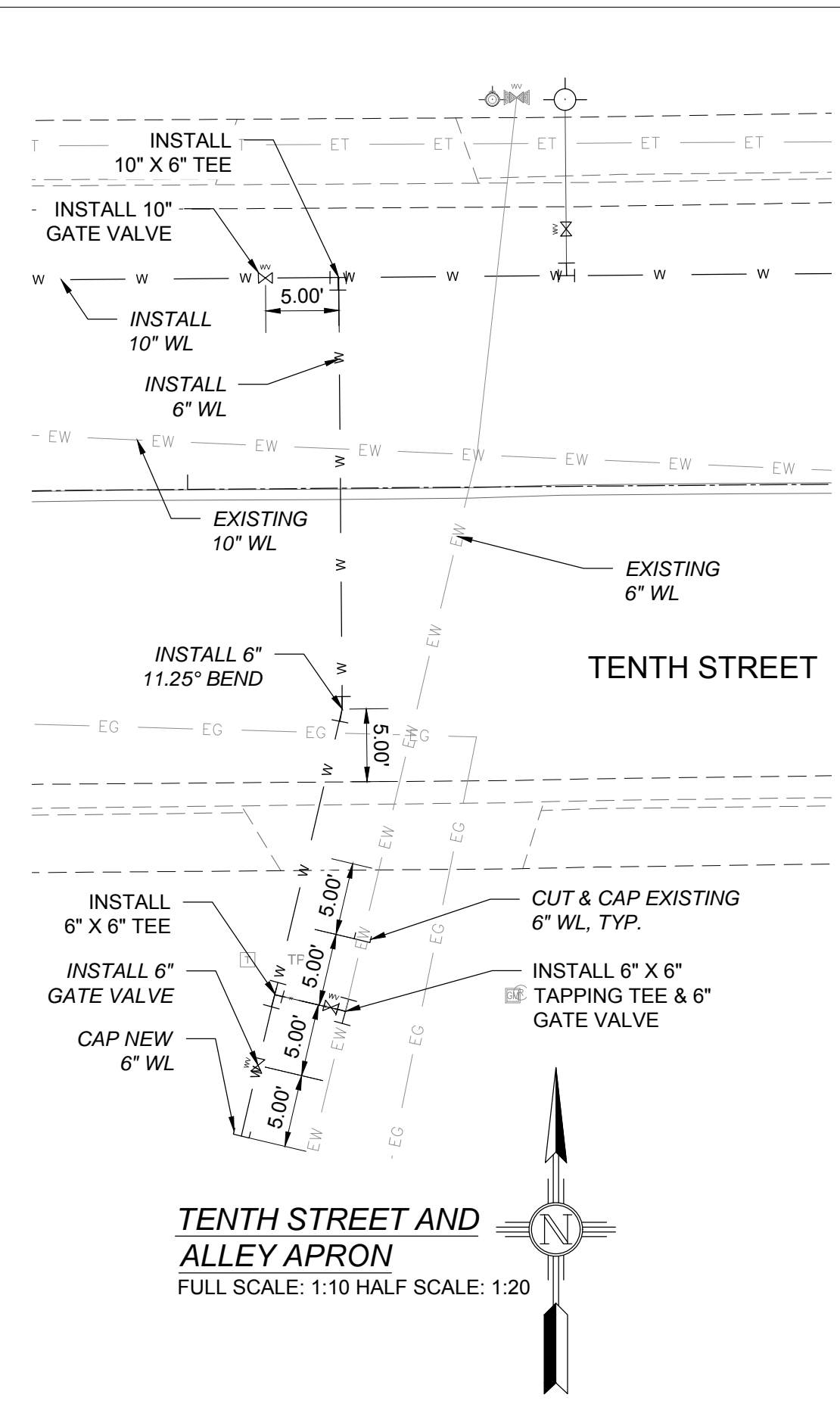
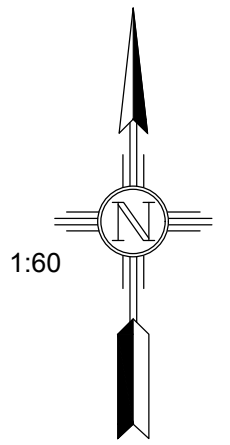
TENTH ST. WATER SERVICES

STA. AND OFFSET	SIZE	LENGTH
16+23.80, 23.72 LT	3/4"	9.22'
17+02.45, 24.10 LT	3/4"	9.69'
17+82.18, 24.28 LT	3/4"	9.75'
18+59.36, 24.28 LT	3/4"	9.78'
19+25.11, 23.45 LT	3/4"	9.00'
20+18.83, 24.66 LT	3/4"	10.16'
21+02.25, 23.43 LT	3/4"	9.00'

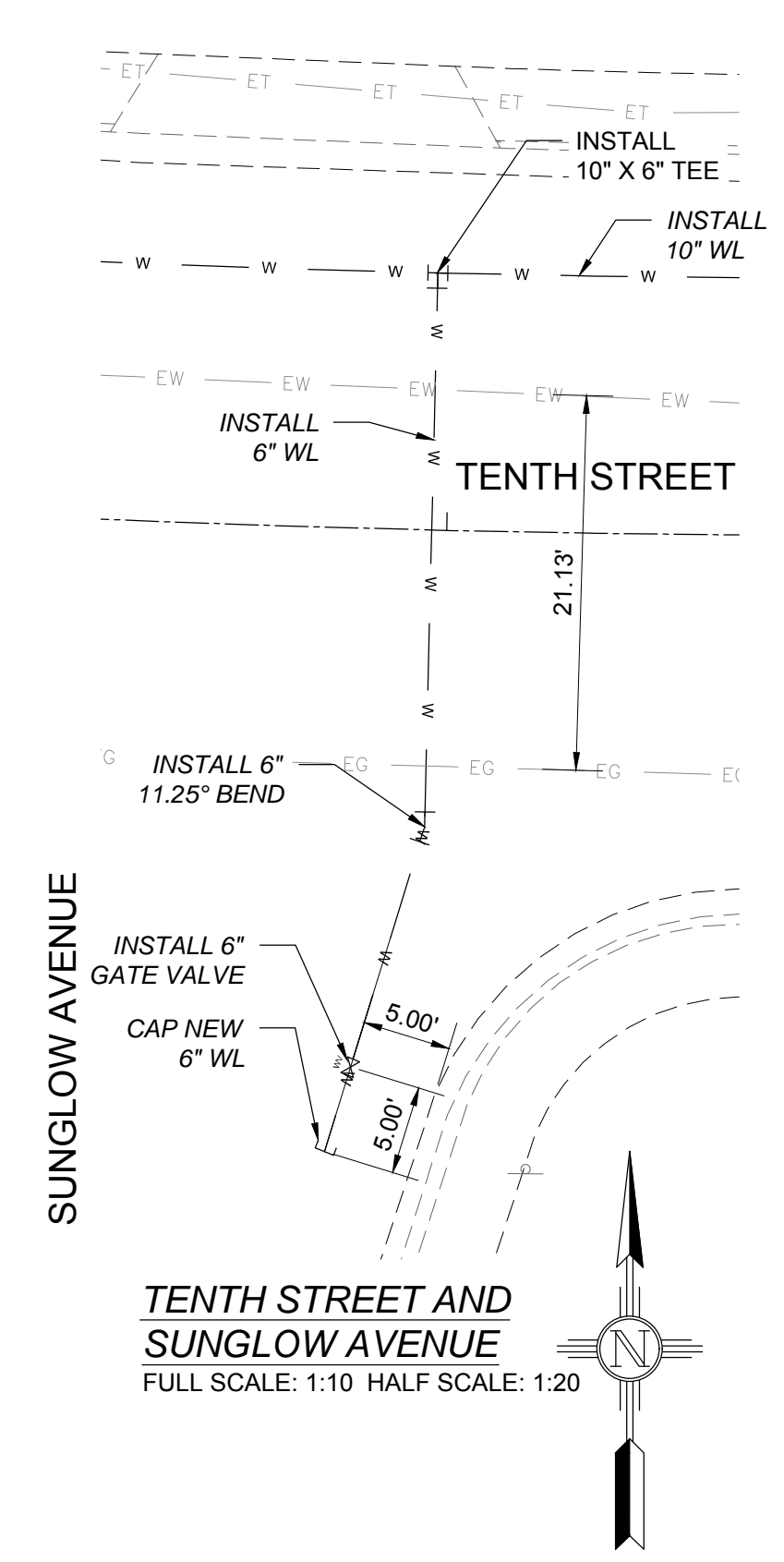
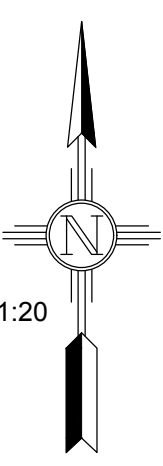
TENTH ST. 6" FIRE HYDRANT ASSEMBLY

STA. AND OFFSET	LENGTH
15+76.19, 26.62 LT	12.11'
19+15.50, 27.58 RT	42.00'

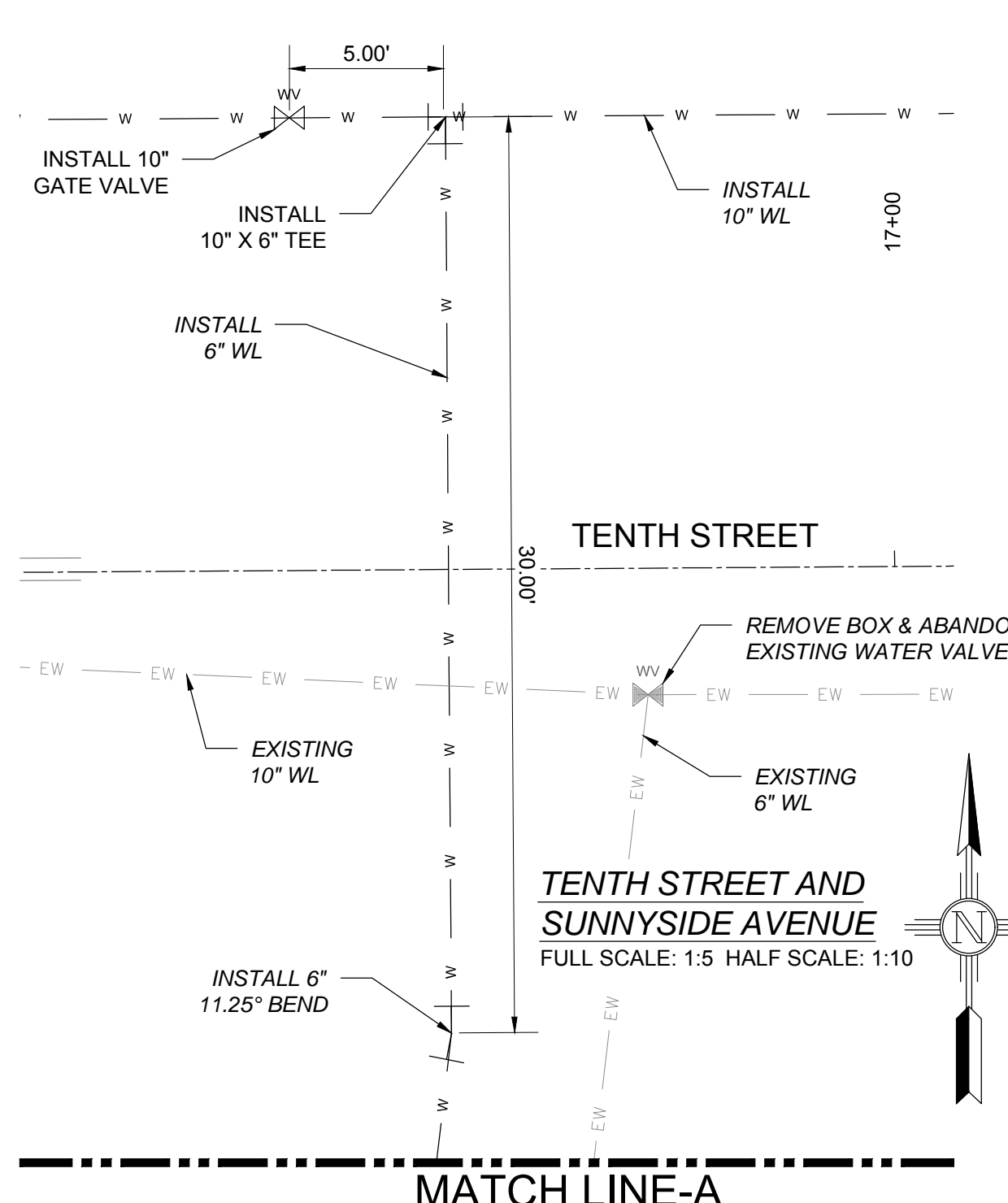
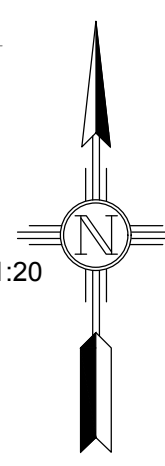
TENTH STREET
FULL SCALE: 1:30 HALF SCALE: 1:60



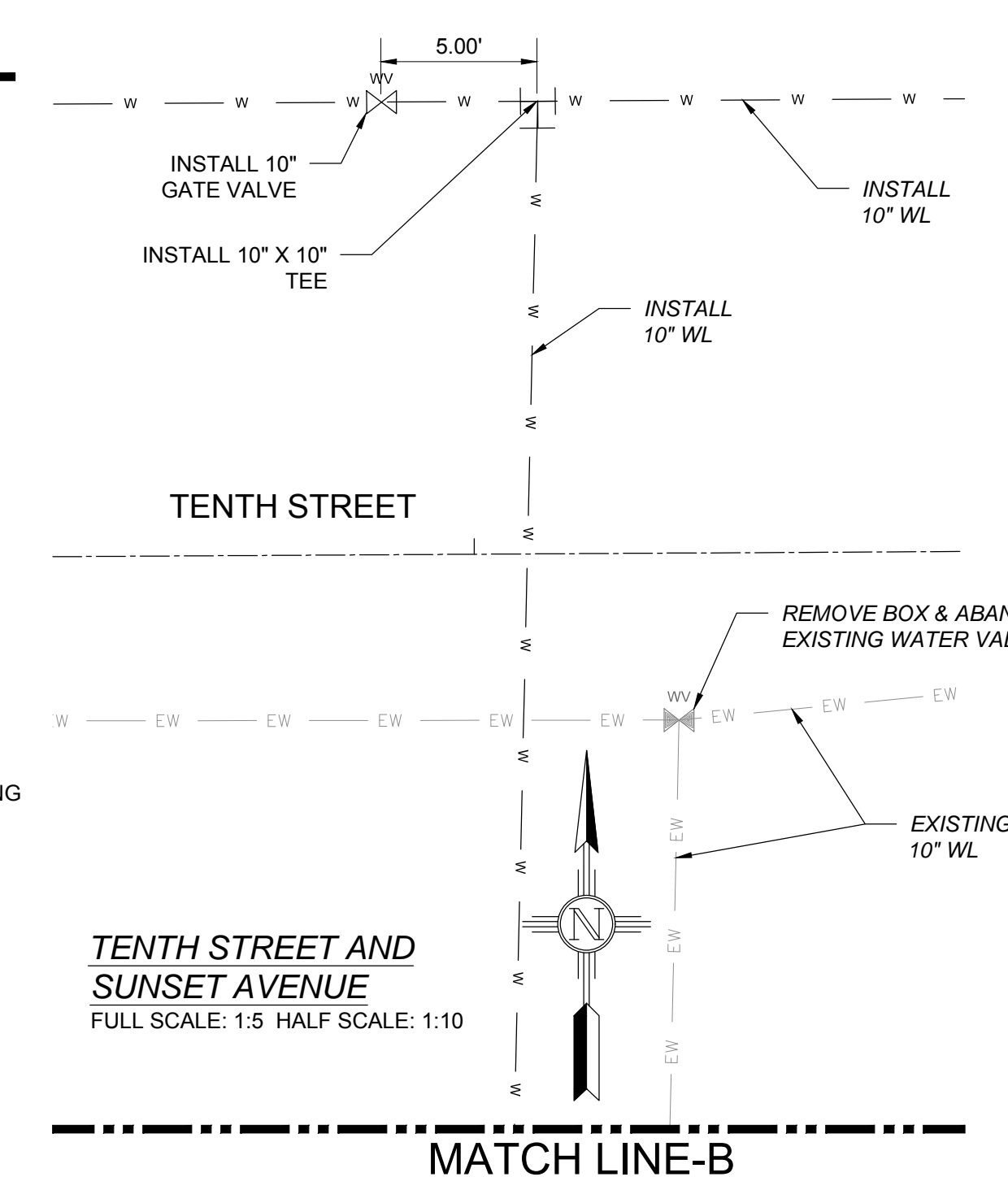
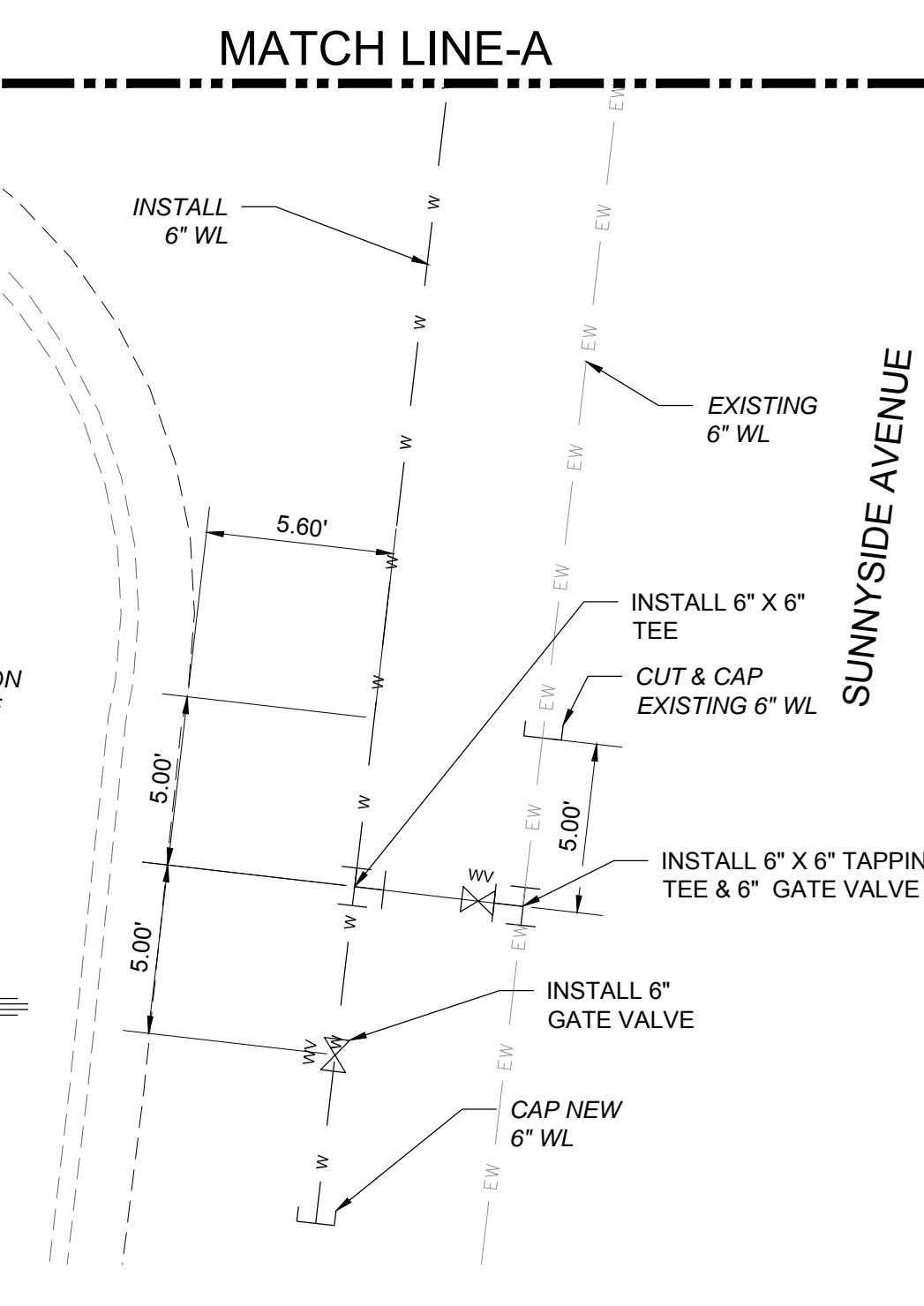
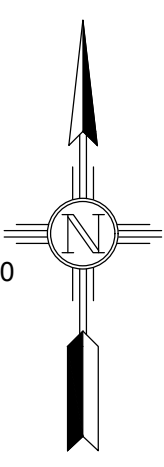
TENTH STREET AND ALLEY APRON
FULL SCALE: 1:10 HALF SCALE: 1:20



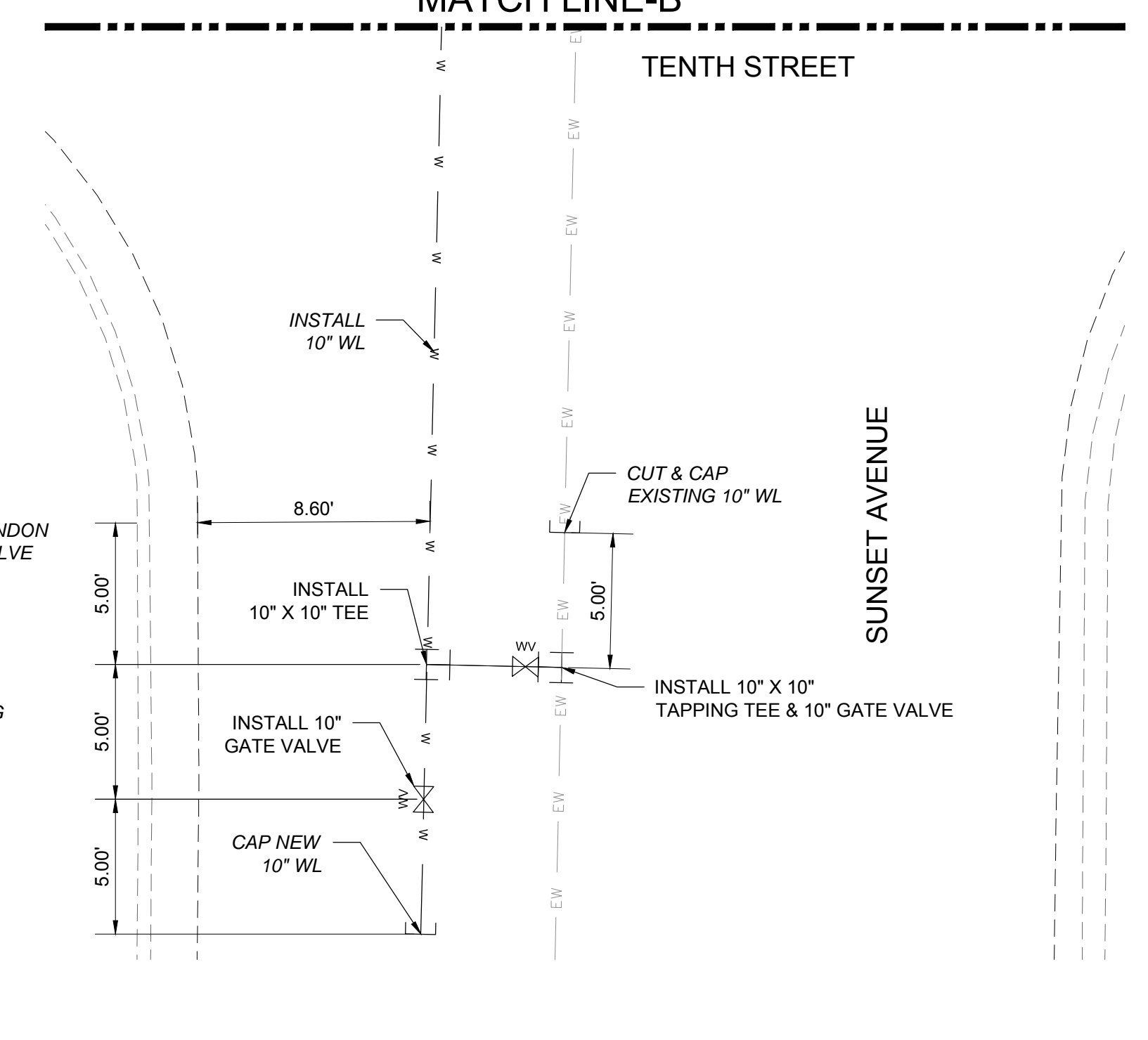
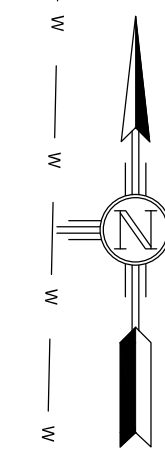
TENTH STREET AND SUNGLOW AVENUE
FULL SCALE: 1:10 HALF SCALE: 1:20



TENTH STREET AND SUNNYSIDE AVENUE
FULL SCALE: 1:5 HALF SCALE: 1:10



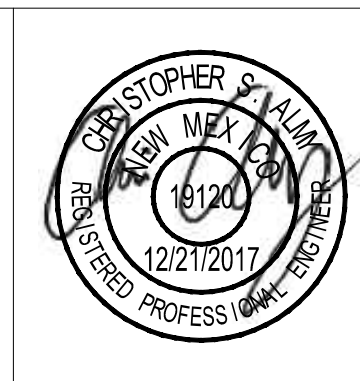
TENTH STREET AND SUNSET AVENUE
FULL SCALE: 1:5 HALF SCALE: 1:10



New Mexico One Call, Inc. Call 2 days before you dig!
NMOC Dial 811 or 1-800-321-2537
 Professional Resources for Damage Prevention



Street Maintenance Program FY 2017
TENTH STREET WATER LINE REPLACEMENT
 STATION 14+00 TO 21+50
 CITY OF ALAMOGORDO, NEW MEXICO, ENGINEERING DEPARTMENT



OEI Ocean Engineers Inc.
 506 S MAIN ST. SUITE 600
 LAS CRUCES, NEW MEXICO 88005
 (575) 524-2007 (OFFICE)
 (575) 524-0432 (FAX)

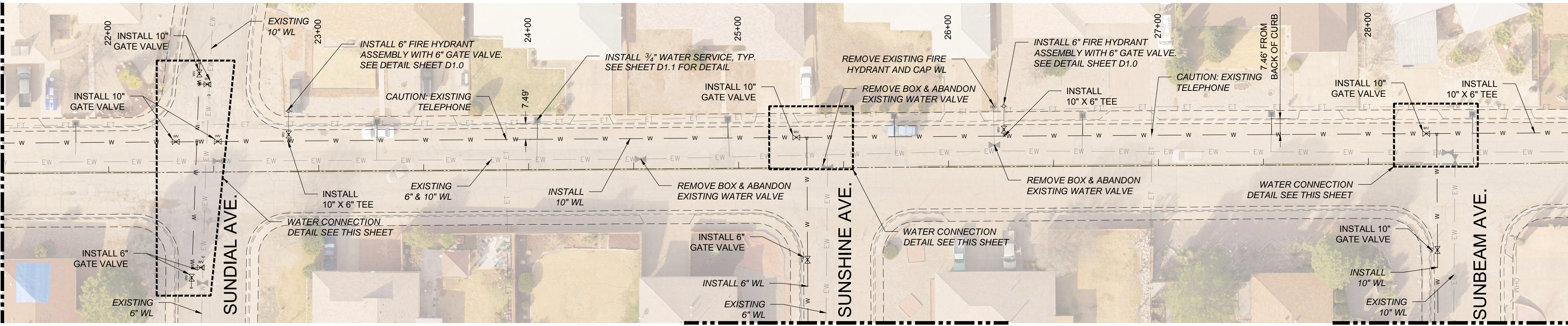
Public Works Bid No.: 2017-010
 Drawn By: GG Designed By: GG
 Checked By: CA Approved By: CA
 Scale: Horiz.: Varies Vert.: n/a

Sheet No.: **U 8.0**
 Sheet 68 of 103
 EN1701

REV. No.	DATE	DESCRIPTION	APPROVED
1	12-21-17	AMENDMENT-1	CA
0	9-08-17	ISSUED FOR CONSTRUCTION	CA

MATCH LINE STA: 21+50 SEE SHEET U8.0

MATCH LINE STA: 29+00 SEE SHEET U10.0



EXISTING UTILITY LEGEND

— OHM — OHM —	EXISTING OVER MULTIPLE LINES
— ES — ES —	EXISTING SEWER
— EW — EW —	EXISTING WATER
— EG — EG —	EXISTING UNDERGROUND GAS
— ET — ET —	EXISTING UNDERGROUND TELEPHONE

TENTH ST. WATER SERVICES

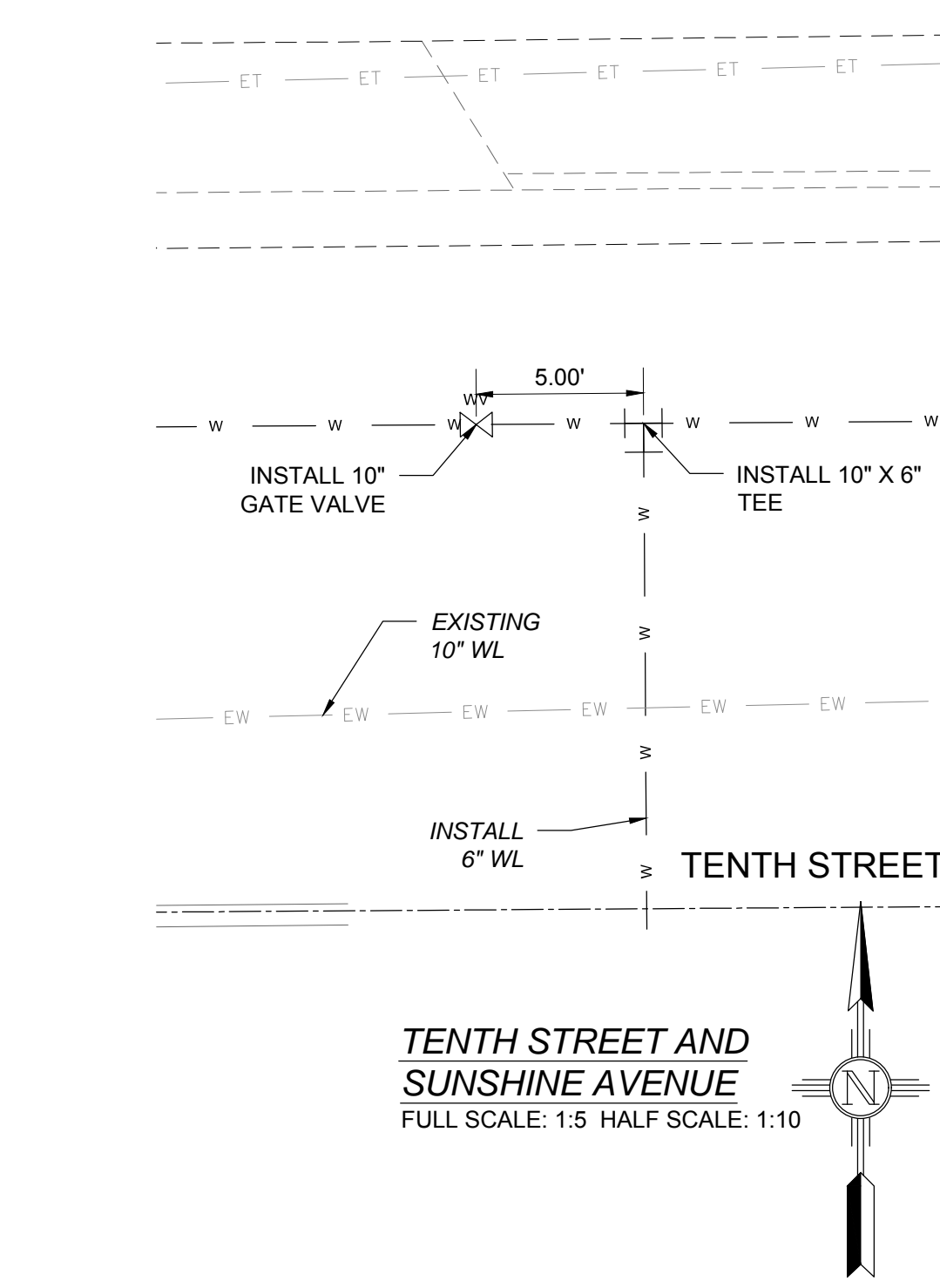
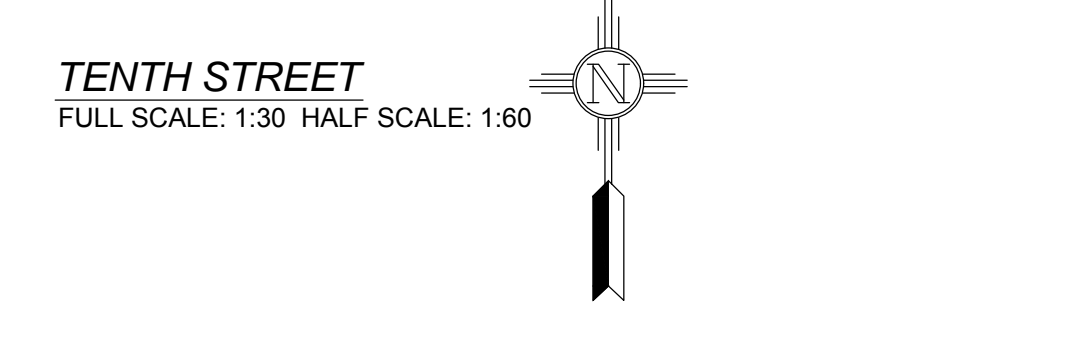
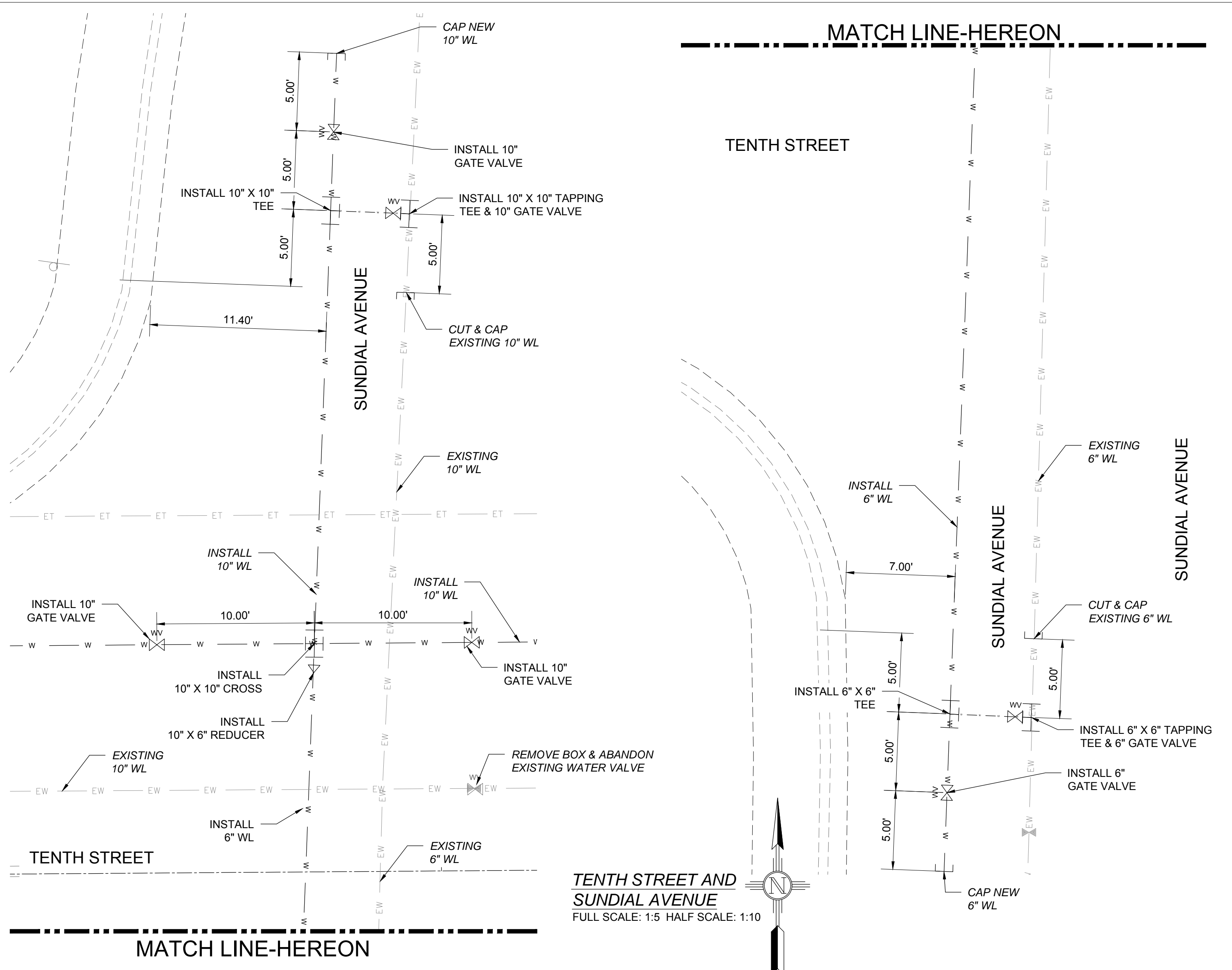
STA. AND OFFSET	SIZE	LENGTH
21+84.48, 23.50 LT	3/4"	9.00'
23+27.93, 23.79 LT	3/4"	9.28'
24+04.27, 23.68 LT	3/4"	9.17'
24+95.02, 23.52 LT	3/4"	9.00'
25+74.24, 24.54 LT	3/4"	10.00'
26+63.98, 24.26 LT	3/4"	9.75'
27+53.97, 24.42 LT	3/4"	10.00'
28+49.65, 23.68 LT	3/4"	9.18'

TENTH ST. 6" FIRE HYDRANT ASSEMBLY

STA. AND OFFSET	LENGTH
22+85.81, 27.64 LT	12.40'
26+26.51, 28.74 LT	

SEE SHEET U11.0

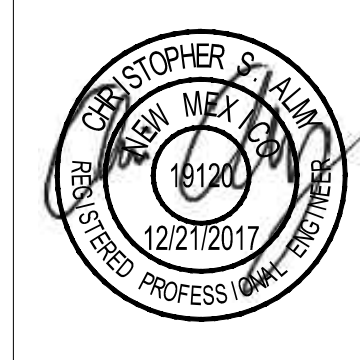
SEE SHEET U12.0



New Mexico One Call, Inc. Call 2 days before you dig!
NMOC Dial 811 or 1-800-321-2537
 Professional Resources for Damage Prevention



Street Maintenance Program FY 2017
TENTH STREET WATER LINE REPLACEMENT
 STATION 21+50 TO 29+00
 CITY OF ALAMOGORDO, NEW MEXICO, ENGINEERING DEPARTMENT



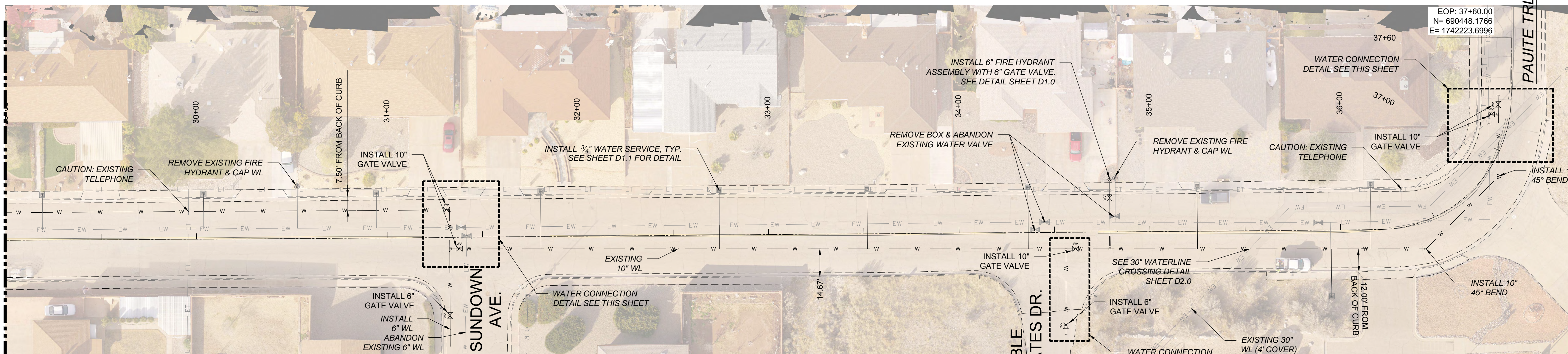
OEI Ocean Engineers Inc.
 506 S MAIN ST. SUITE 600
 LAS CRUCES, NEW MEXICO 88005
 (575) 524-2007 (OFFICE)
 (575) 524-0432 (FAX)

Public Works Bid No.: 2017-010
 Drawn By: GG Designed By: GG
 Checked By: CA Approved By: CA
 Scale: Horiz.: Varies Vert.: n/a

Sheet No.: **U 9.0**
 Sheet 69 of 103
 EN1701

REV. No.	DATE	DESCRIPTION	APPROVED
1	12-21-17	AMENDMENT-1	CA
0	9-08-17	ISSUED FOR CONSTRUCTION	CA

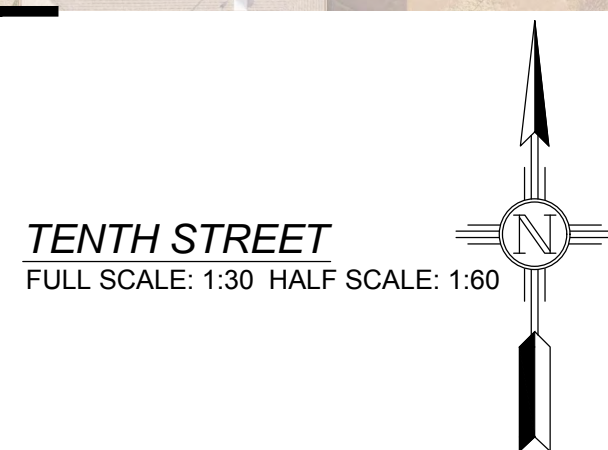
MATCH LINE STA: 29+00 SEE SHEET U9.0



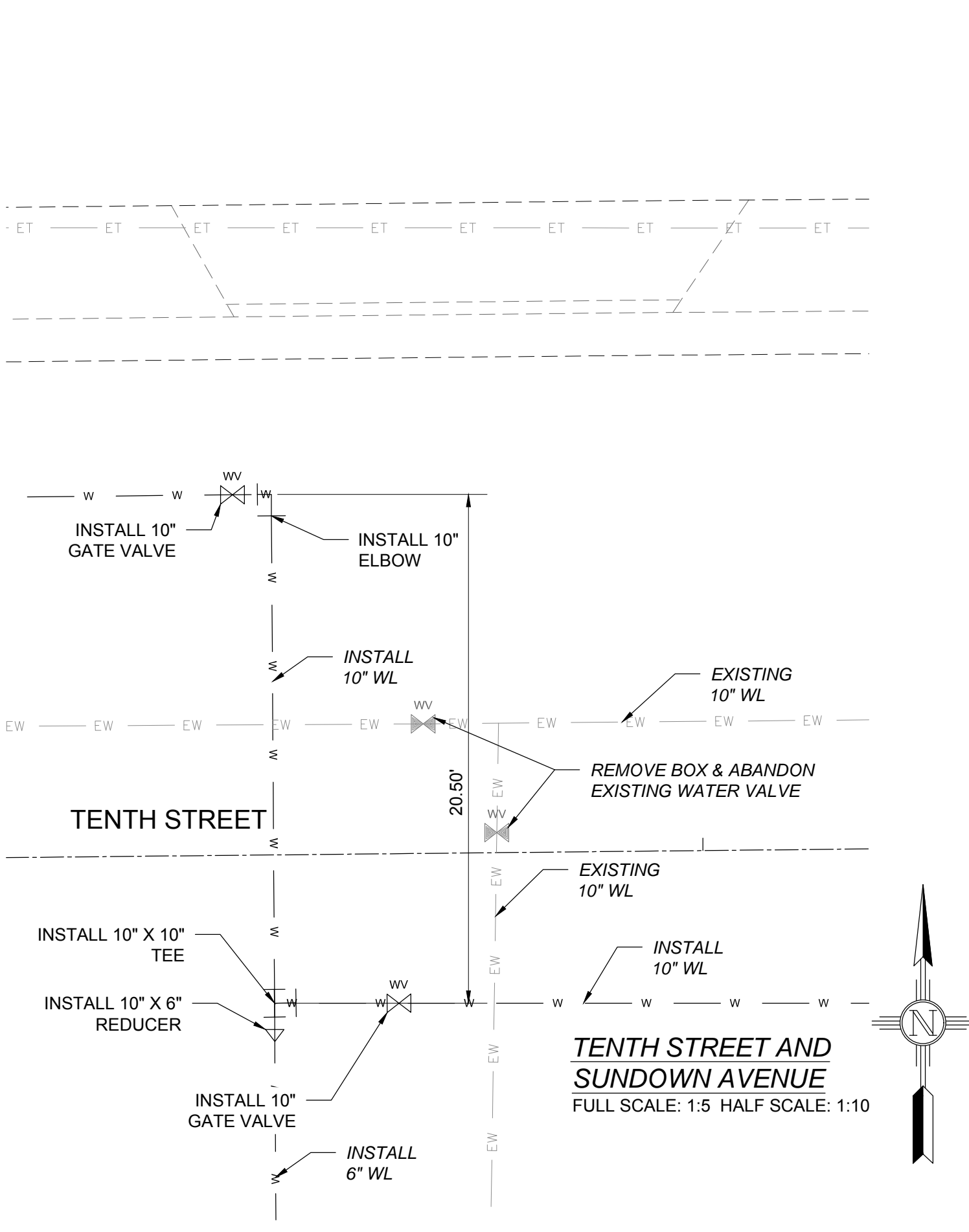
EOP: 37+60.00
N= 690448.1766
E= 1742223.6996

TENTH ST. WATER SERVICES		
STA. AND OFFSET	SIZE	LENGTH
29+19.25, 23.85 LT	34"	9.34'
30+03.82, 23.79 LT	34"	9.29'
30+94.41, 23.38 LT	34"	9.00'
31+80.69, 23.71 LT	34"	30.16'
32+74.24, 23.50 LT	34"	30.73'
33+51.79, 23.62 LT	34"	31.50'
34+36.14, 23.80 LT	34"	32.32'
35+24.95, 23.93 LT	34"	33.14'
35+95.04, 34.79 RT	2"	24.93'
36+15.97, 23.97 LT	34"	34.00'

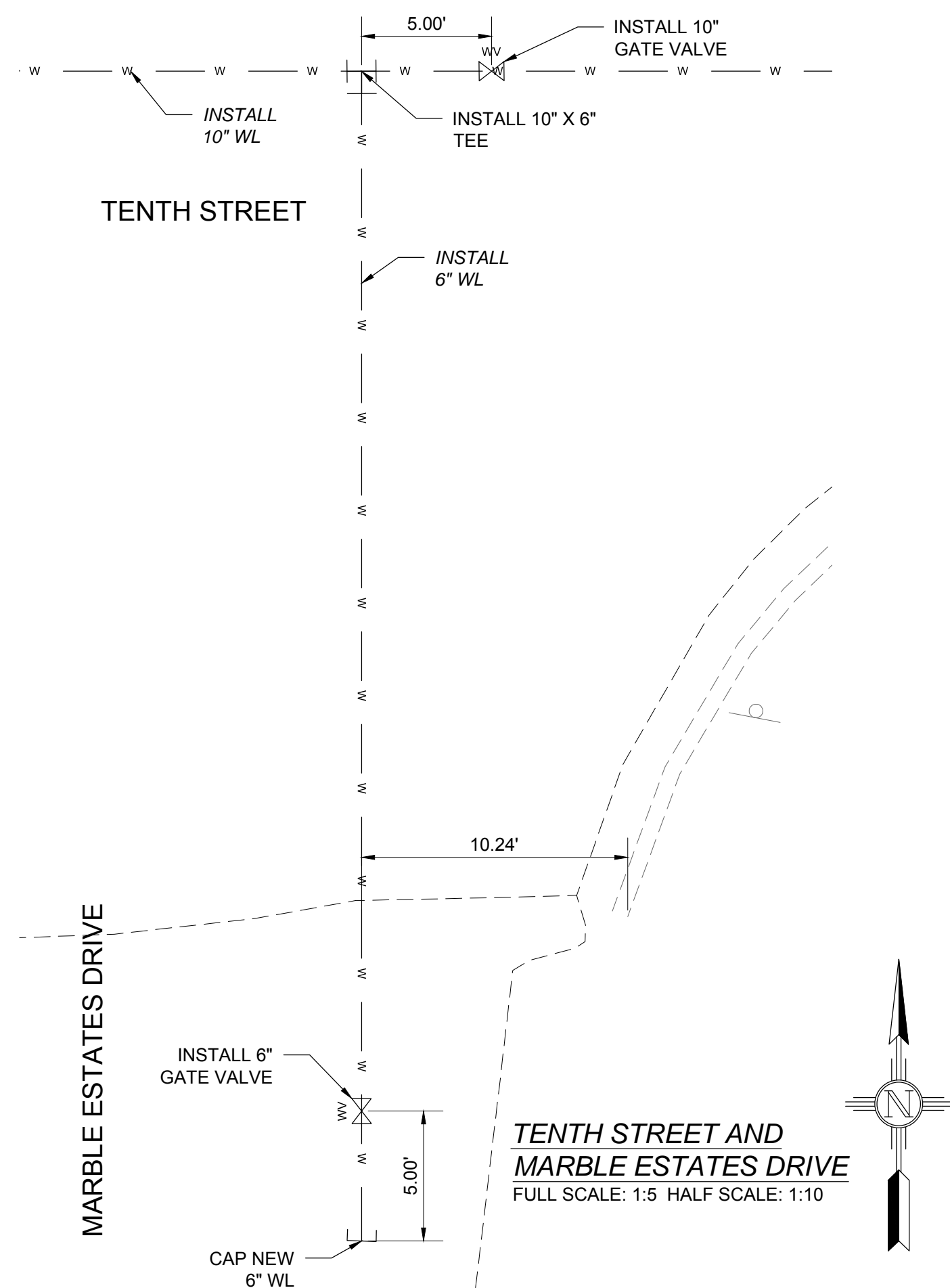
TENTH ST. 6" FIRE HYDRANT ASSEMBLY	
STA. AND OFFSET	LENGTH
34+78.00, 27.39 LT	36.21'



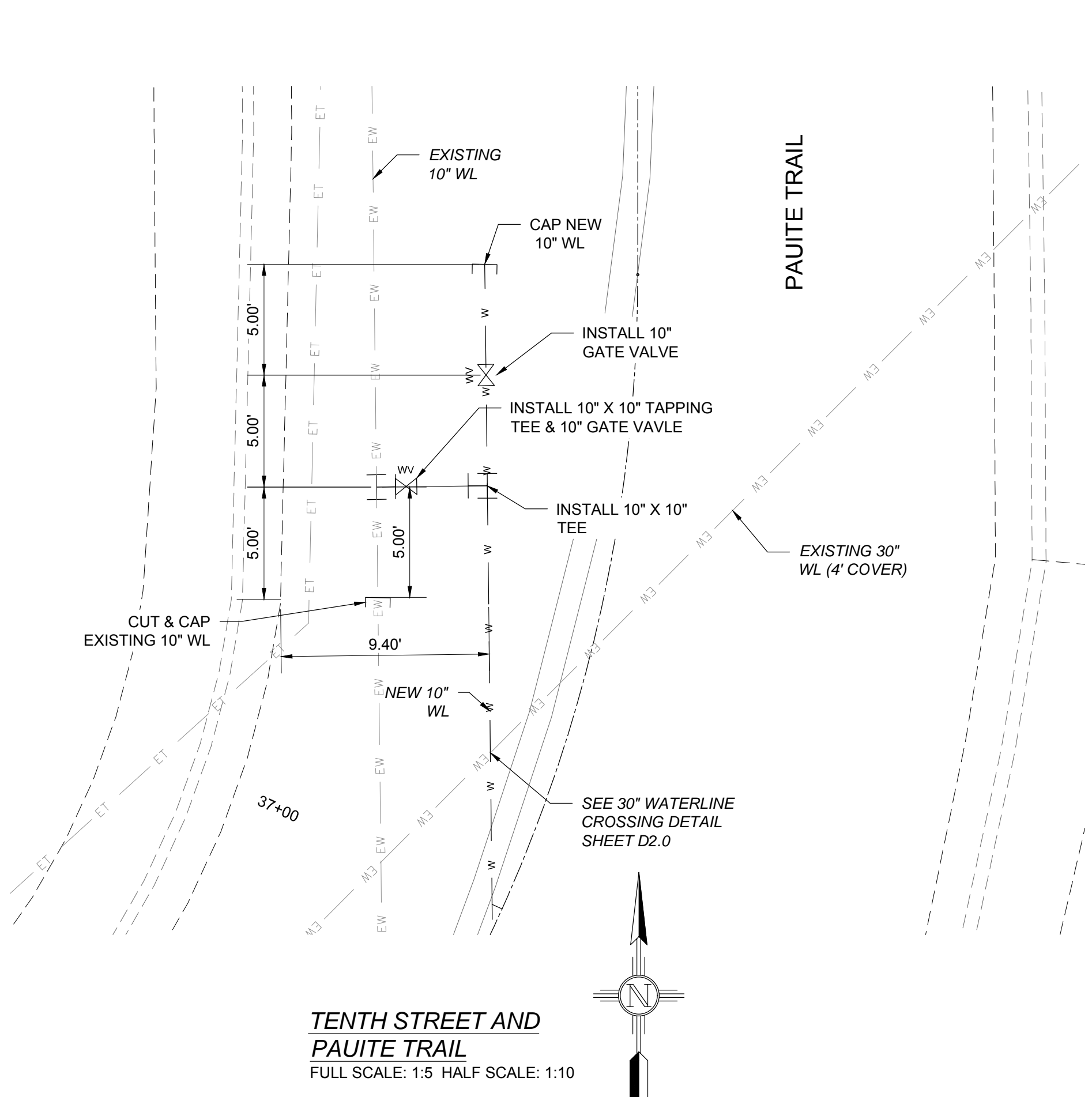
EXISTING UTILITY LEGEND		
— OHM — OHM —	EXISTING OVER MULTIPLE LINES	
— ES — ES —	EXISTING SEWER	
— EW — EW —	EXISTING WATER	
— EG — EG —	EXISTING UNDERGROUND GAS	
— ET — ET —	EXISTING UNDERGROUND TELEPHONE	



TENTH STREET AND SUNDOWN AVENUE
FULL SCALE: 1:5 HALF SCALE: 1:10



TENTH STREET AND MARBLE ESTATES DRIVE
FULL SCALE: 1:5 HALF SCALE: 1:10



TENTH STREET AND PAUITE TRAIL
FULL SCALE: 1:5 HALF SCALE: 1:10

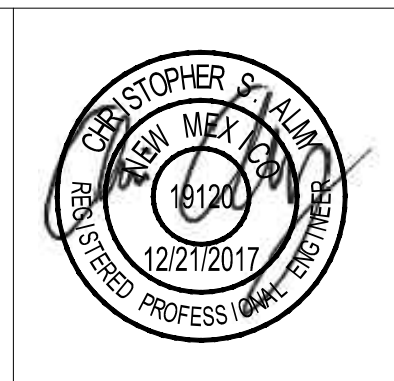
REV. No.	DATE	DESCRIPTION	APPROVED
1	12-21-17	AMENDMENT-1	CA
0	9-08-17	ISSUED FOR CONSTRUCTION	CA

New Mexico One Call, Inc. Call 2 days before you dig!

 Professional Resources for Damage Prevention Dial 811 or 1-800-321-2537



Street Maintenance Program FY 2017
TENTH STREET WATER LINE REPLACEMENT
STATION 29+00 TO 37+60
 CITY OF ALAMOGORDO, NEW MEXICO, ENGINEERING DEPARTMENT



OEI Occam Engineers Inc.
 506 S MAIN ST. SUITE 600
 LAS CRUCES, NEW MEXICO 88005
 (575) 524-2007 (OFFICE)
 (575) 524-0432 (FAX)

Public Works Bid No.:	2017-010
Drawn By:	GG
Designed By:	GG
Checked By:	CA
Approved By:	CA
Scale:	Horiz.: Varies Vert.: n/a

Sheet No.:	U 10.0
Sheet	70 of 103
EN1701	



MATCH LINE STA 8+00 SEE SHEET BELOW

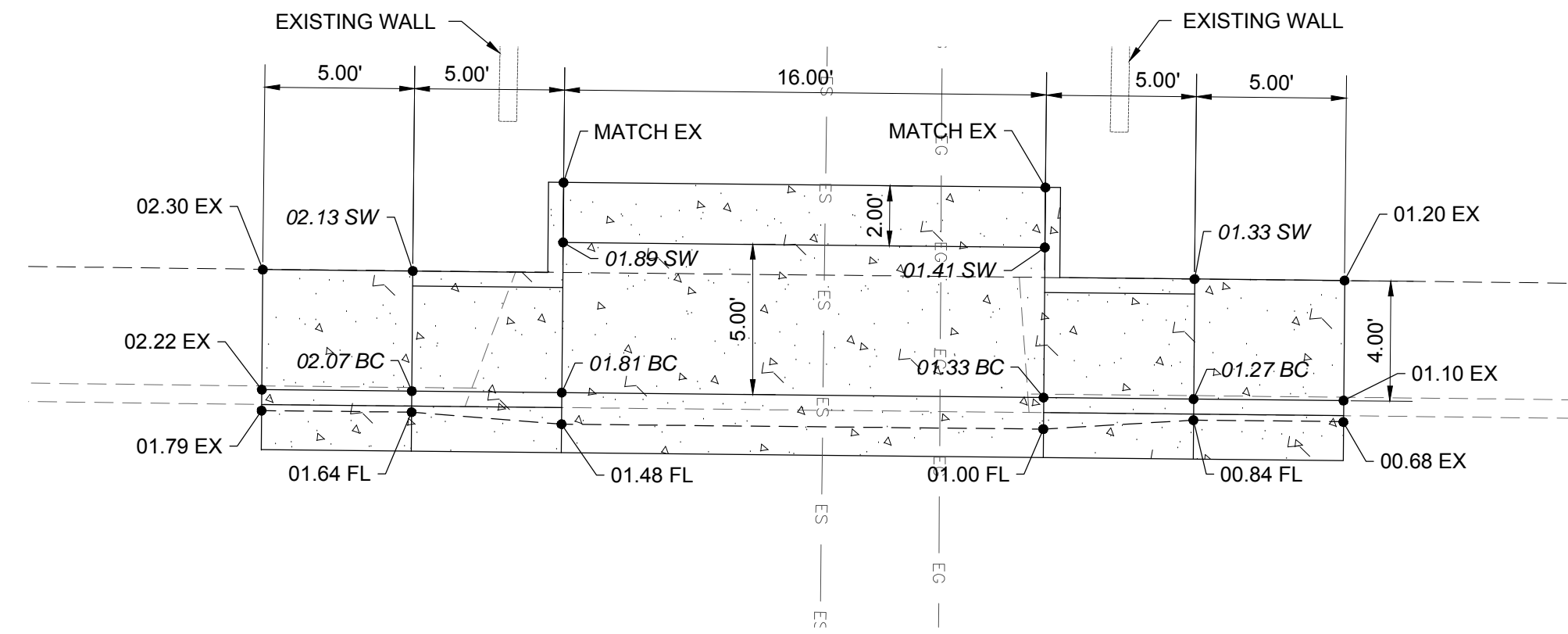
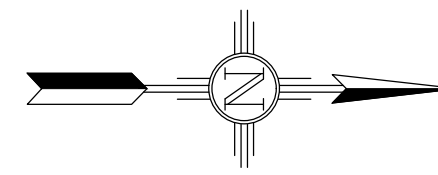
CONSTRUCTION PLAN KEY NOTES:

1. 2" COLD MILL & HMA SP-IV INLAY, TACK COAT MILLED SURFACE. MATCH ADJACENT CURB & GUTTER ELEVATIONS.
2. MATCH EXISTING PAVEMENT ELEVATION.
3. EXISTING CURB AND GUTTER NOT TO BE DISTURBED.
4. APPLY TACK COAT TO PAVEMENT CUT.
5. ADJUST MANHOLE TO GRADE.
6. CAUTION: OVER HEAD UTILITY LINES.
7. CURB & GUTTER TO BE REMOVED & REPLACED.
8. ADJUST VALVE BOX TO GRADE.
9. SAWCUT AND BEGIN MILL-INLAY 2' INTO EXISTING INTERSECTION HMA

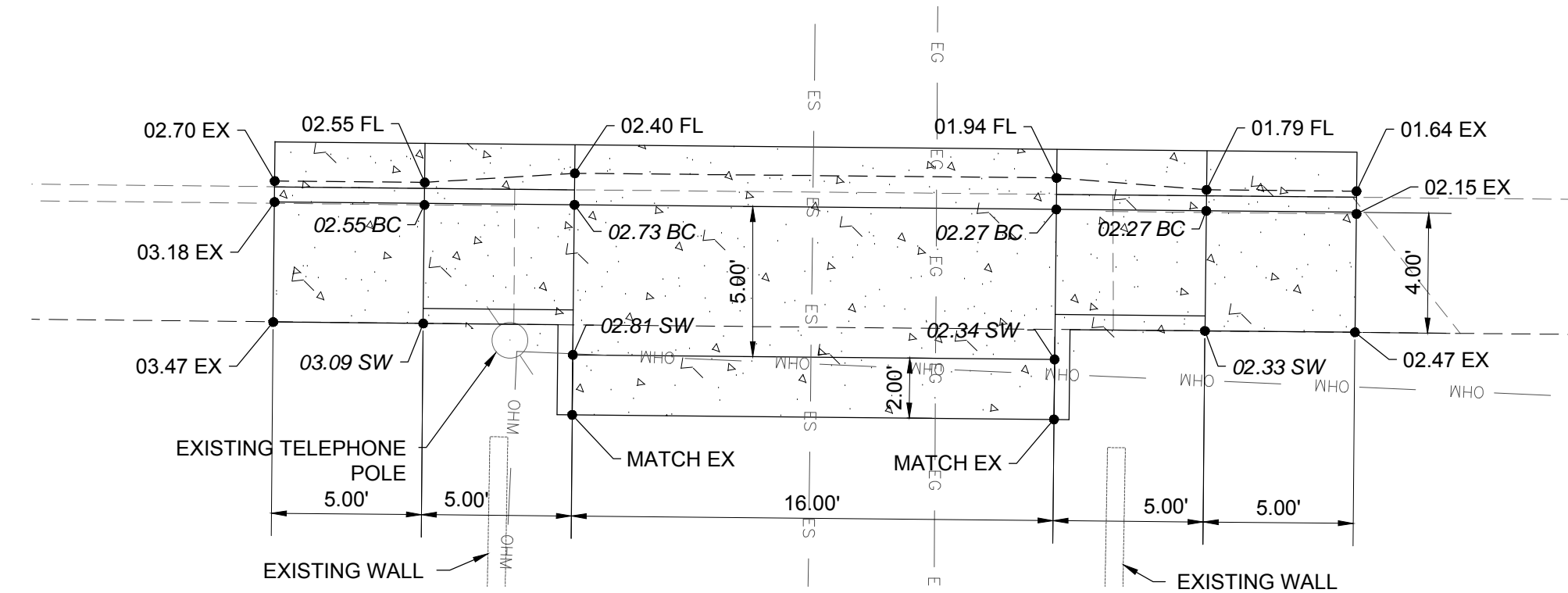
LEGEND

NEW 2" COLD MILL & HMA SP-IV INLAY	
NEW 3" HMA SP-IV	
NEW CONCRETE	
NEW CURB & GUTTER	
EXISTING FIRE HYDRANT	
EXISTING POWER POLE	
EXISTING WATER METER	
EXISTING WATER VALVE	
EXISTING SEWER MAHOLE	
EXISTING ROADWAY CENTERLINE	
EXISTING OVER HEAD ELECTRIC LINES	

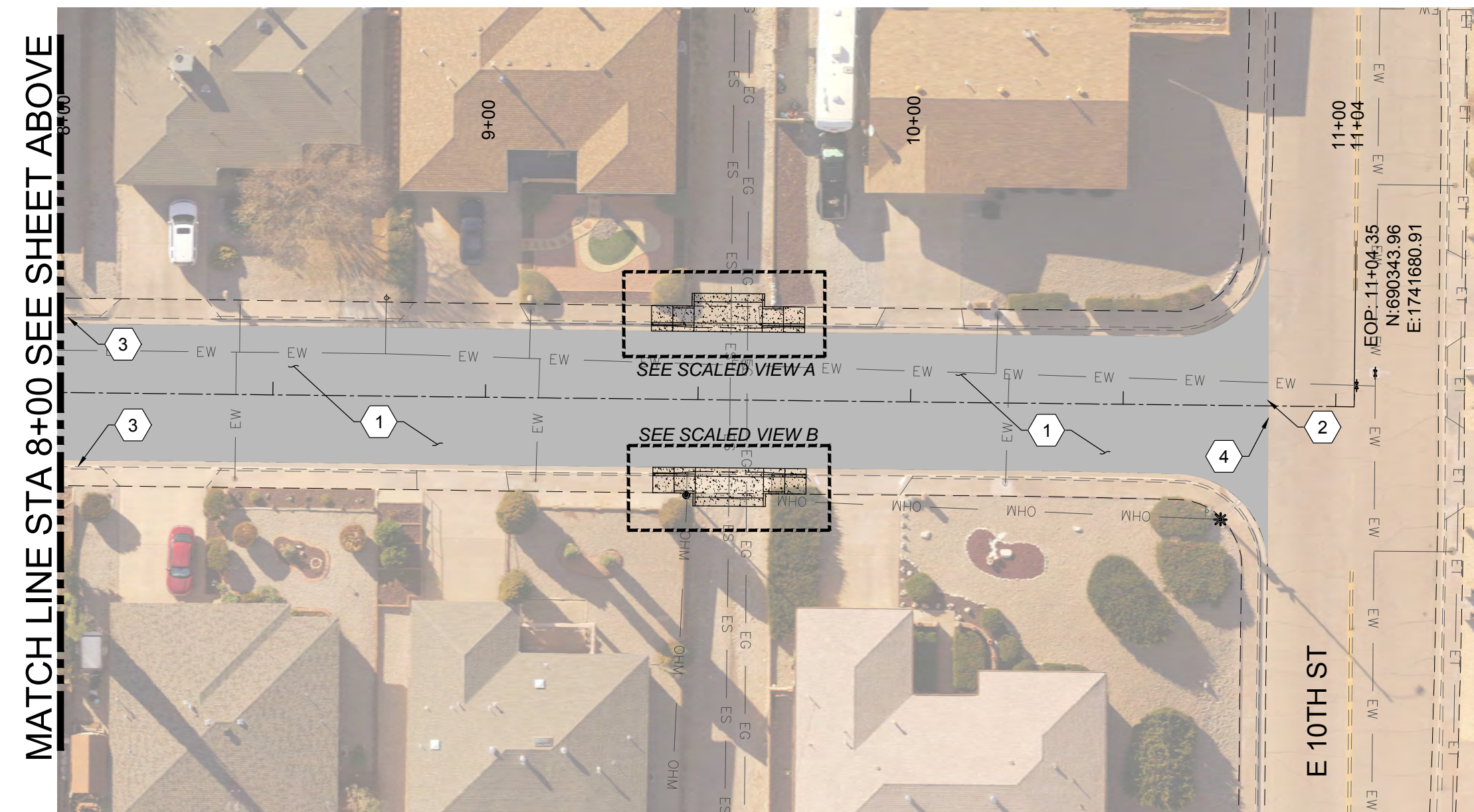
SUNDOWN AVENUE
FULL SCALE: 1:30 HALF SCALE: 1:60



SCALED VIEW A
FULL SCALE: 1:5 HALF SCALE: 1:10

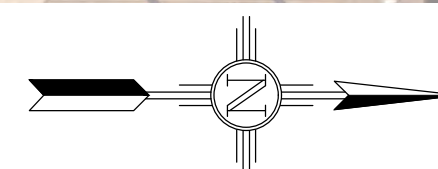


SCALED VIEW B
FULL SCALE: 1:5 HALF SCALE: 1:10



MATCH LINE STA 8+00 SEE SHEET ABOVE

SUNDOWN AVENUE
FULL SCALE: 1:30 HALF SCALE: 1:60



REV. No.	DATE	DESCRIPTION	APPROVED

New Mexico One Call, Inc. Call 2 days before you dig!
NMOC Dial 811 or 1-800-321-2537
 Professional Resources for Damage Prevention



Street Maintenance Program FY 2017

SUNDOWN AVENUE ROAD CONSTRUCTION PLAN
STATION 0+00 TO 11+04

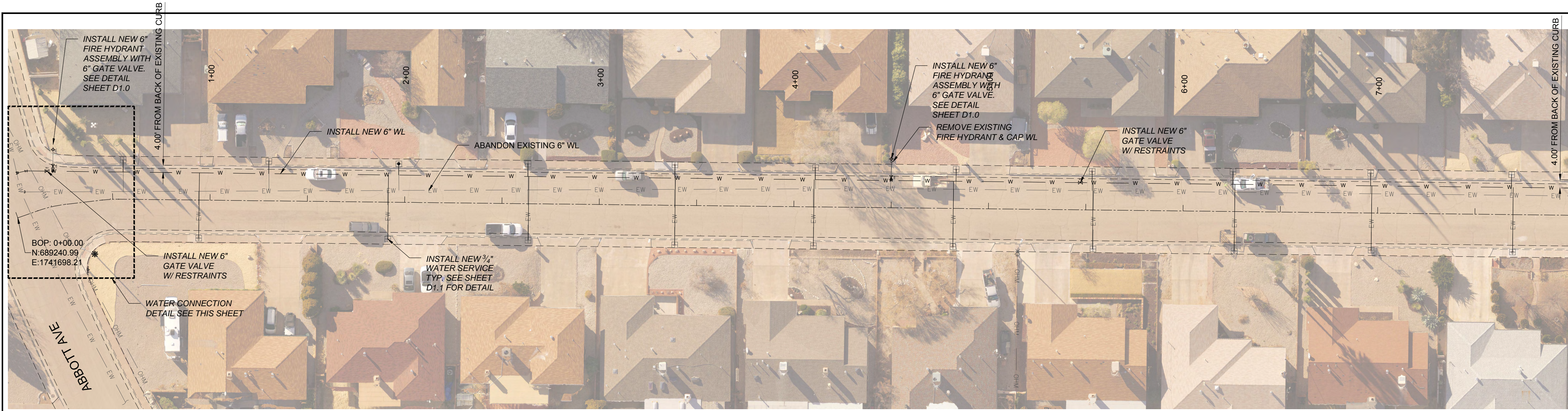
CITY OF ALAMOGORDO, NEW MEXICO, ENGINEERING DEPARTMENT



Public Works Bid No.:	2017-010
Drawn By:	TM
Designed By:	TM
Checked By:	SC
Approved By:	SC

Scale: Horiz.: VARIES Vert.: n/a

Sheet No.:	RC 14.0
Sheet 25 of 103	EN1701



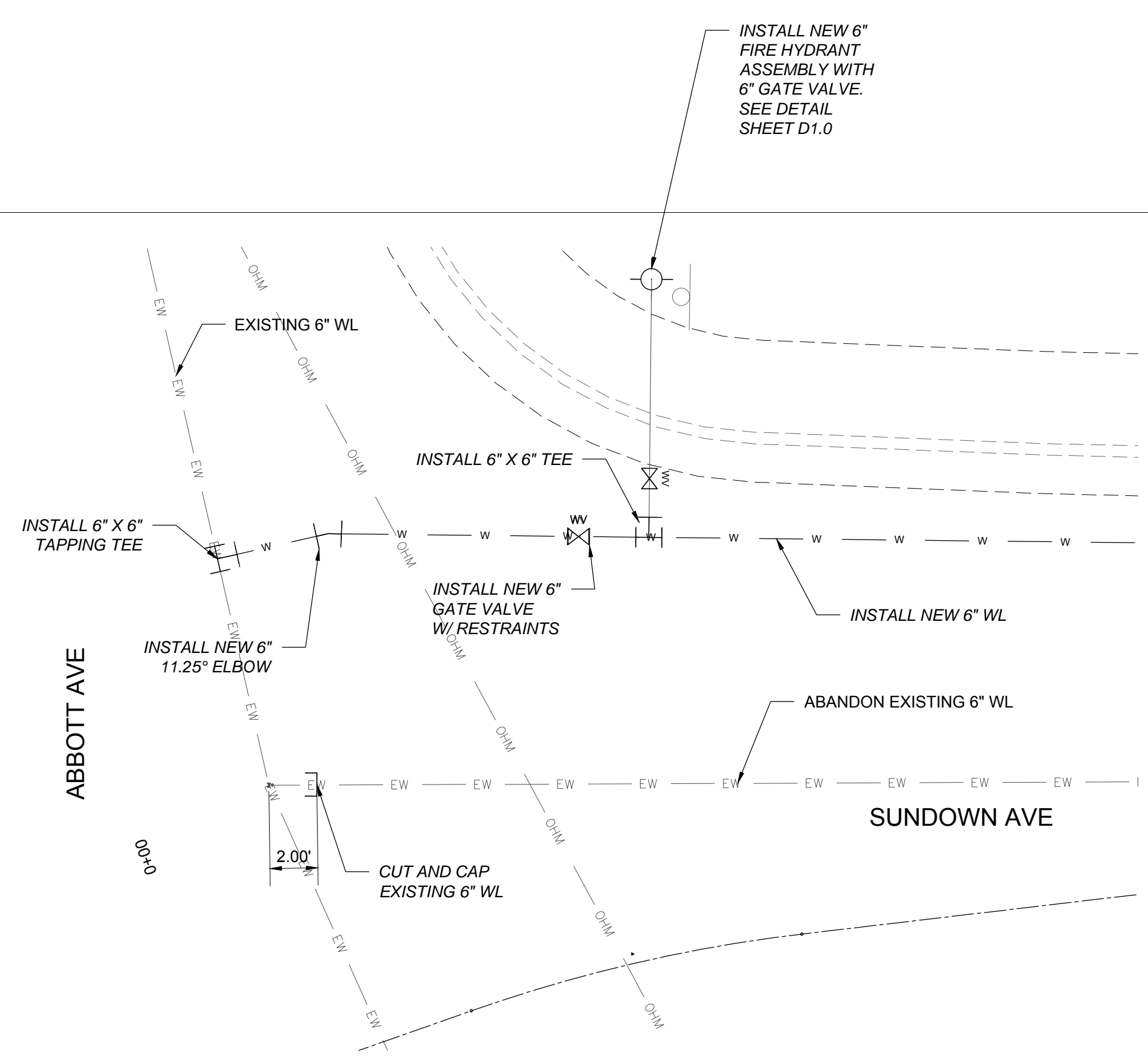
SUNDOWN AVE. WATER SERVICES			
STA. AND OFFSET	SIZE	LENGTH	
0+55.13, 20.18 LT	3/4"	6.18'	
0+94.38, 19.59 RT	3/4"	33.57'	
1+30.00, 20.41 LT	3/4"	6.41'	
1+91.53, 18.94 RT	3/4"	32.94'	
1+96.71, 19.81 LT	3/4"	5.81'	
2+63.13, 20.62 LT	3/4"	6.62'	
2+63.68, 18.55 RT	3/4"	32.55'	
3+38.65, 20.90 LT	3/4"	6.90'	
3+38.97, 20.13 RT	3/4"	34.13'	
4+10.27, 19.84 RT	3/4"	33.84'	
4+10.79, 20.22 LT	3/4"	6.22'	
4+81.92, 19.54 RT	3/4"	33.54'	
4+83.20, 20.11 LT	3/4"	6.12'	
5+53.13, 19.83 LT	3/4"	5.83'	
5+53.65, 20.07 RT	3/4"	34.07'	
6+25.44, 20.41 LT	3/4"	6.41'	
6+26.53, 20.17 RT	3/4"	34.17'	
6+96.22, 20.43 LT	3/4"	6.43'	
6+96.88, 19.11 RT	3/4"	33.12'	
7+68.63, 20.56 LT	3/4"	6.56'	
7+69.56, 19.22 RT	3/4"	33.23'	
8+41.26, 19.97 RT	3/4"	33.97'	
8+42.10, 21.15 LT	3/4"	7.15'	
9+10.47, 20.68 LT	3/4"	6.68'	
9+11.97, 19.59 RT	3/4"	33.59'	
10+20.29, 20.65 LT	3/4"	6.65'	
10+22.46, 19.00 RT	3/4"	33.00'	

SUNDOWN AVE. 6" FIRE HYDRANT ASSEMBLY			
STA. AND OFFSET	TYPE	LENGTH	
0+18.55, 28.74 LT	SINGLE	11.08'	
4+49.86, 25.08 LT	SINGLE	11.08'	
8+76.40, 23.51 LT	SINGLE	9.51'	

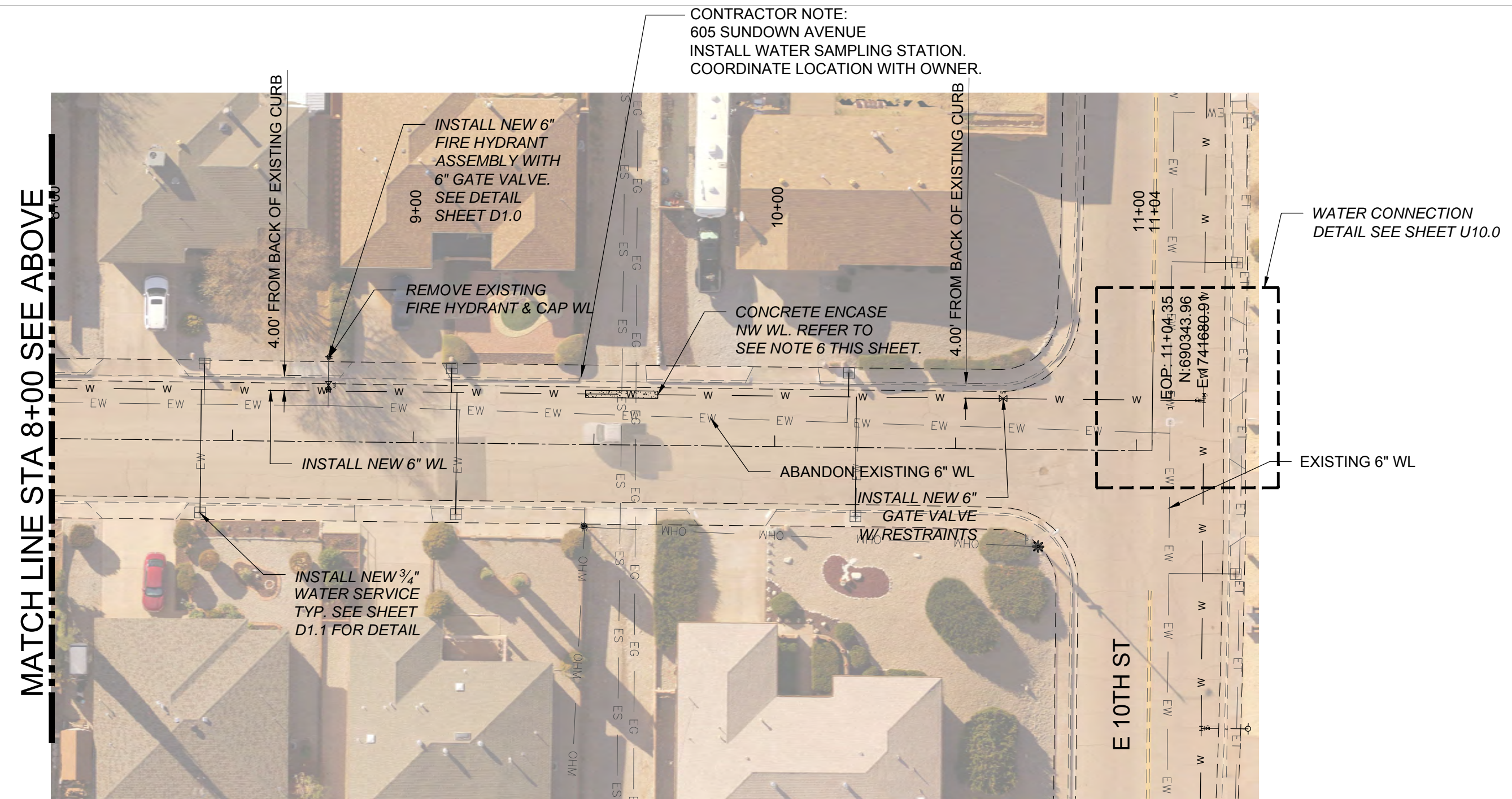
SUNDOWN AVENUE
FULL SCALE: 1:30 HALF SCALE: 1:60

EXISTING UTILITY LEGEND

- EOHT — EOHT — EXISTING OVER HEAD TELEPHONE
- OHPL — OHPL — EXISTING OVER HEAD POWER LINE
- ES — ES — EXISTING SEWER
- EW — EW — EXISTING WATER
- EG — EG — EXISTING UNDERGROUND GAS
- ET — ET — EXISTING UNDERGROUND TELEPHONE



SUNDOWN AVENUE AND ABBOTT AVENUE
FULL SCALE: 1:5 HALF SCALE: 1:10



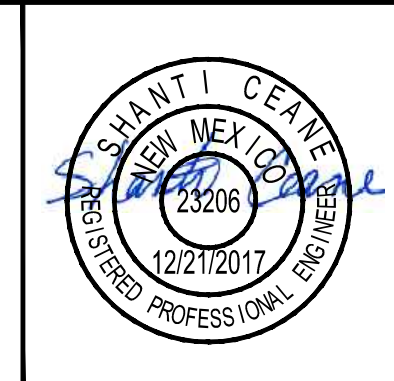
SUNDOWN AVENUE
FULL SCALE: 1:30 HALF SCALE: 1:60

REV. No.	DATE	DESCRIPTION	APPROVED
1	12-21-17	AMENDMENT - 1	SC
0	09-08-17	ISSUED FOR CONSTRUCTION	SC

New Mexico One Call, Inc. Call 2 days before you dig!
NMOC
 Professional Resources for Damage Prevention
 Dial 811 or 1-800-321-2537



Street Maintenance Program FY 2017
SUNDOWN AVENUE WATER LINE REPLACEMENT PLAN STATION 0+00 TO 11+04.35
 CITY OF ALAMOGORDO, NEW MEXICO, ENGINEERING DEPARTMENT



OEI Ocean Engineers Inc.
 3400 HIGHWAY 180 EAST SUITE A
 SILVER CITY, NEW MEXICO 88061
 (575) 538-5395 (OFFICE)
 (575) 538-5410 (FAX)

Public Works Bid No.: 2017-010
 Drawn By: TM Designed By: TM
 Checked By: SC Approved By: SC
 Scale: Horiz.: Vert.: n/a

Sheet No.: **U13.0**
 Sheet 73 of 103
 EN1701



MATCH LINE STA 9+00 SEE SHEET BELOW

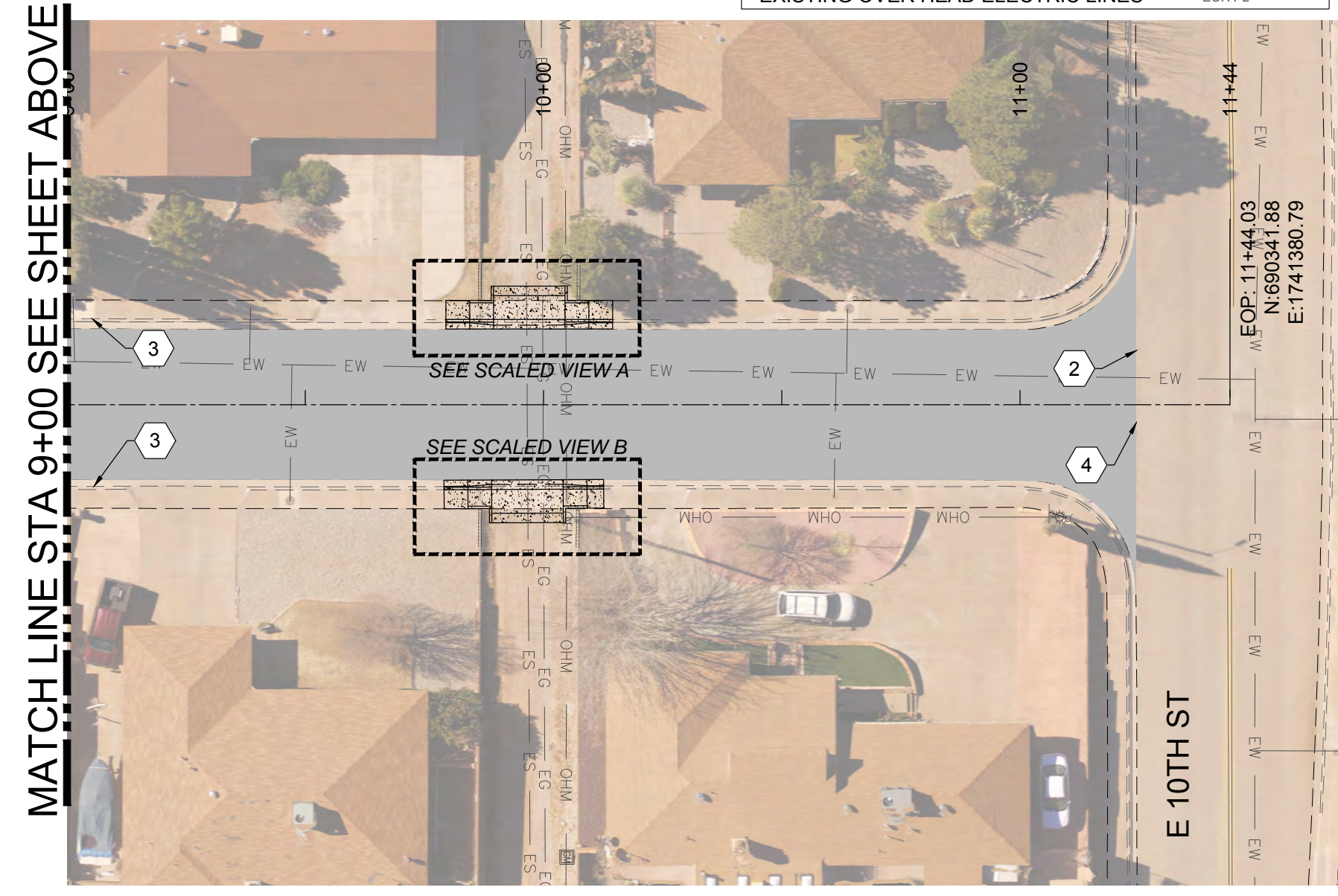
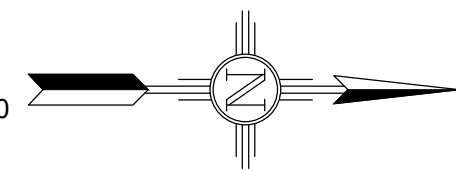
CONSTRUCTION PLAN KEY NOTES:

1. 2" COLD MILL & HMA SP-IV INLAY. TACK COAT MILLED SURFACE. MATCH ADJACENT CURB & GUTTER ELEVATIONS.
2. MATCH EXISTING PAVEMENT ELEVATION.
3. EXISTING CURB AND GUTTER NOT TO BE DISTURBED.
4. APPLY TACK COAT TO PAVEMENT CUT.
5. ADJUST MANHOLE TO GRADE.
6. CAUTION: OVER HEAD UTILITY LINES.
7. CURB & GUTTER TO BE REMOVED & REPLACED.
8. ADJUST VALVE BOX TO GRADE.
9. SAWCUT AND BEGIN MILL-INLAY 2" INTO EXISTING INTERSECTION HMA

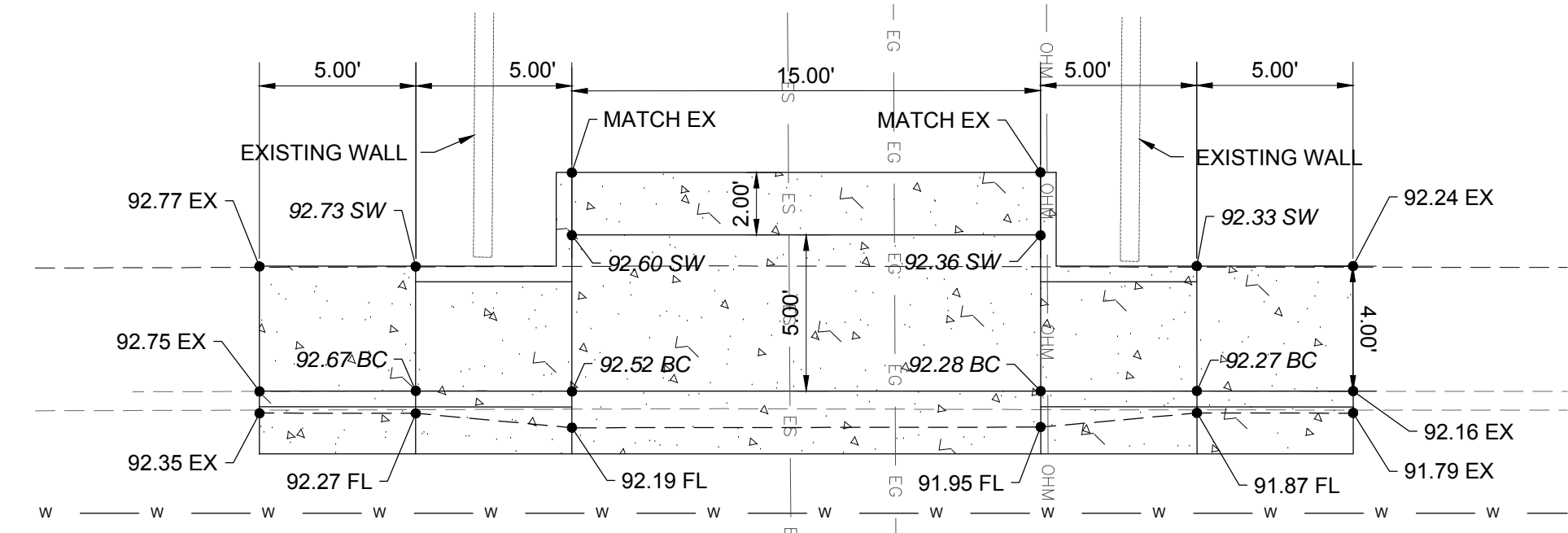
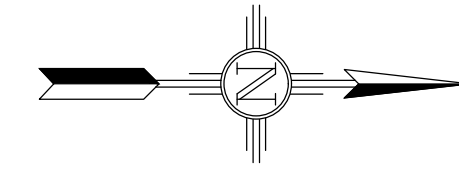
LEGEND

NEW 2" COLD MILL & HMA SP-IV INLAY	
NEW 3" HMA SP-IV	
NEW CONCRETE	
NEW CURB & GUTTER	
EXISTING FIRE HYDRANT	
EXISTING POWER POLE	
EXISTING WATER METER	
EXISTING WATER VALVE	
EXISTING SEWER MAHOLE	
EXISTING ROADWAY CENTERLINE	
EXISTING OVER HEAD ELECTRIC LINES	

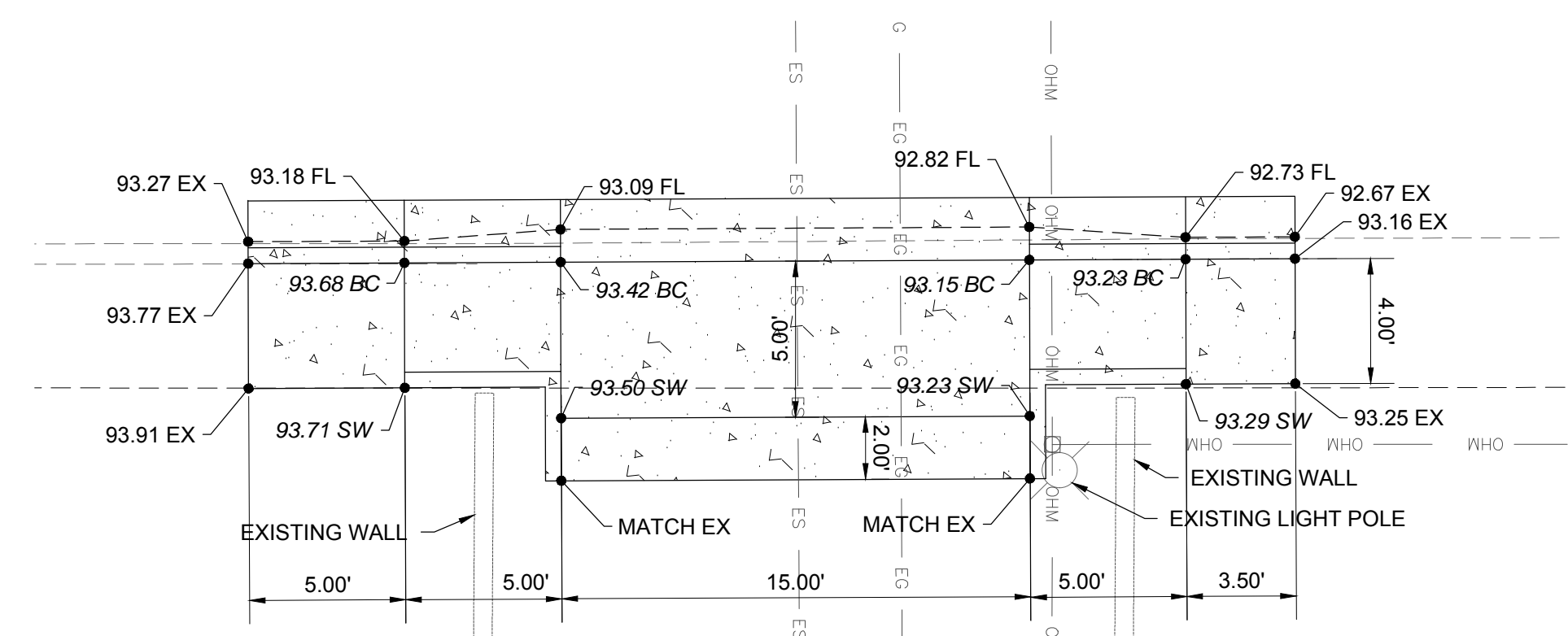
SUNBEAM AVENUE
FULL SCALE: 1:30 HALF SCALE: 1:60



SUNBEAM AVENUE
FULL SCALE: 1:30 HALF SCALE: 1:60



SCALED VIEW A
FULL SCALE: 1:5 HALF SCALE: 1:10



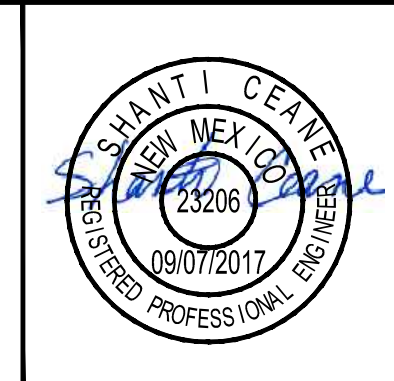
SCALED VIEW B
FULL SCALE: 1:5 HALF SCALE: 1:10

REV. No.	DATE	DESCRIPTION	APPROVED

New Mexico One Call, Inc. Call 2 days before you dig!
NMOC
 Professional Resources for Damage Prevention
 Dial 811 or 1-800-321-2537



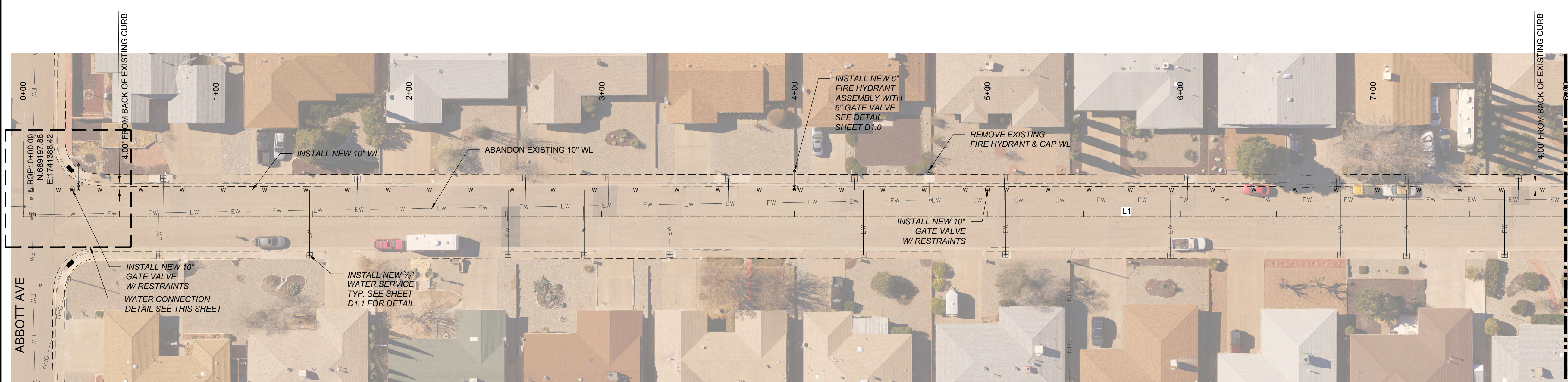
Street Maintenance Program FY 2017
SUNBEAM AVENUE ROAD CONSTRUCTION PLAN
STATION 0+00 TO 11+44
 CITY OF ALAMOGORDO, NEW MEXICO, ENGINEERING DEPARTMENT



OEI Ocean Engineers Inc.
 3400 HIGHWAY 180 EAST SUITE A
 SILVER CITY, NEW MEXICO 88061
 (575) 538-5395 (OFFICE)
 (575) 538-5410 (FAX)

Public Works Bid No.:	2017-010
Drawn By:	TM
Designed By:	TM
Checked By:	SC
Approved By:	SC
Scale: Horiz.:	VARIES
Vert.:	n/a

Sheet No.:	RC 13.0
Sheet 24 of 103	EN1701

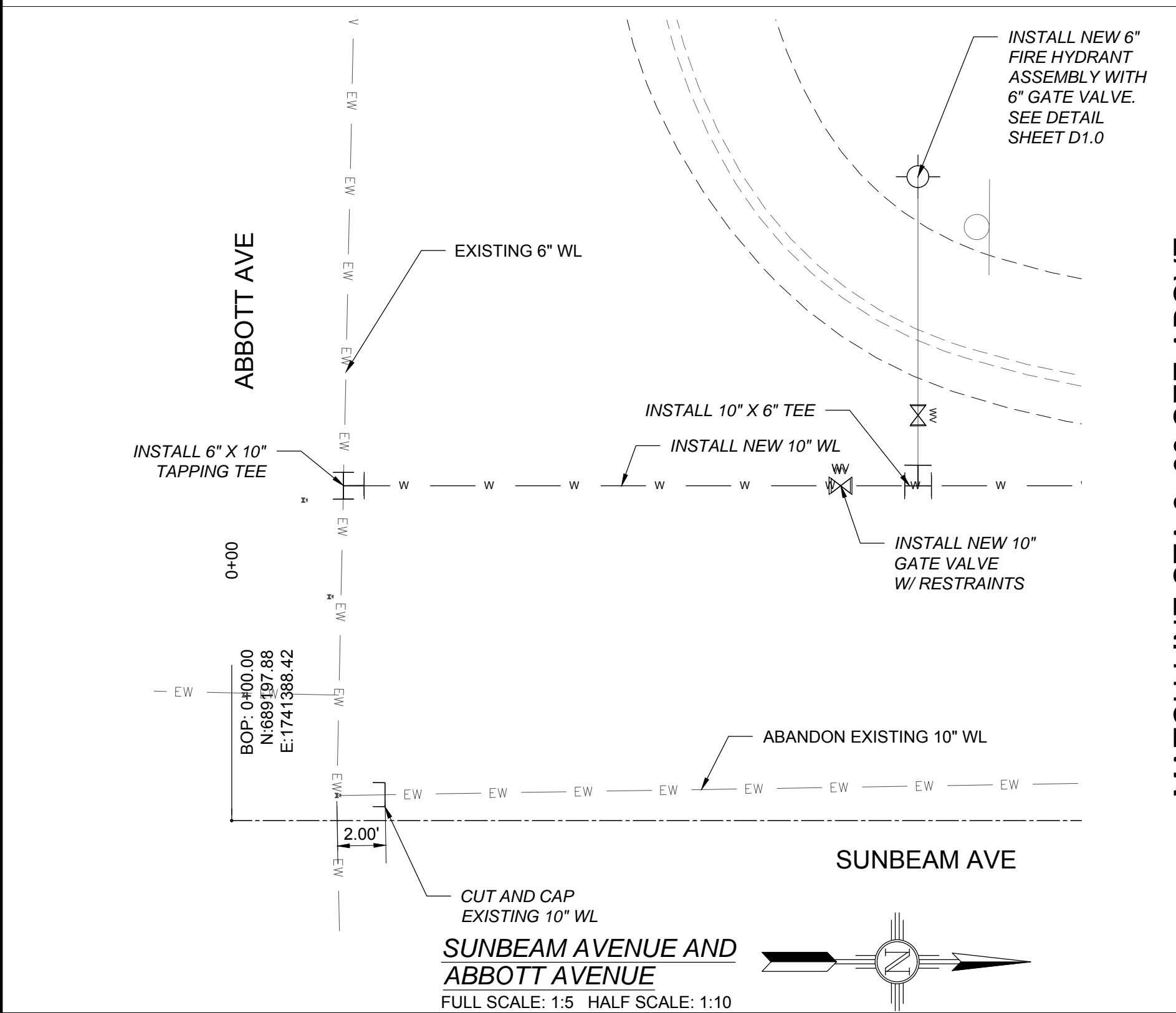


SUNBEAM AVE. WATER SERVICES		
STA. AND OFFSET	SIZE	LENGTH
0+70.47, 20.16 RT	3/4"	34.16'
0+72.62, 19.87 LT	3/4"	5.87'
1+48.52, 19.89 RT	3/4"	33.89'
1+73.32, 19.67 LT	3/4"	5.67'
2+51.53, 19.47 RT	3/4"	33.47'
2+60.49, 20.12 LT	3/4"	6.12'
2+90.95, 19.83 RT	3/4"	33.83'
3+03.35, 20.18 LT	3/4"	6.18'
3+35.32, 19.50 RT	3/4"	33.50'
3+65.75, 19.79 LT	3/4"	5.79'
4+31.09, 19.76 LT	3/4"	5.76'
4+35.76, 19.66 RT	3/4"	33.66'
5+08.80, 19.91 LT	3/4"	5.91'
5+09.40, 19.56 RT	3/4"	33.56'
5+94.80, 20.07 RT	3/4"	34.07'
6+03.77, 20.19 LT	3/4"	6.19'
6+81.13, 19.70 LT	3/4"	5.70'
6+82.92, 19.74 RT	3/4"	33.74'
7+17.35, 20.05 RT	3/4"	34.05'
7+18.25, 19.60 LT	3/4"	5.60'
7+68.22, 19.51 LT	3/4"	33.51'
7+75.38, 19.97 LT	3/4"	5.97'
8+64.06, 20.02 LT	3/4"	6.02'
8+69.54, 19.77 RT	3/4"	33.77'
9+38.62, 20.36 LT	3/4"	6.36'
9+46.86, 20.21 RT	3/4"	34.21'
10+61.15, 19.31 RT	3/4"	33.31'
10+64.08, 20.07 LT	3/4"	6.07'

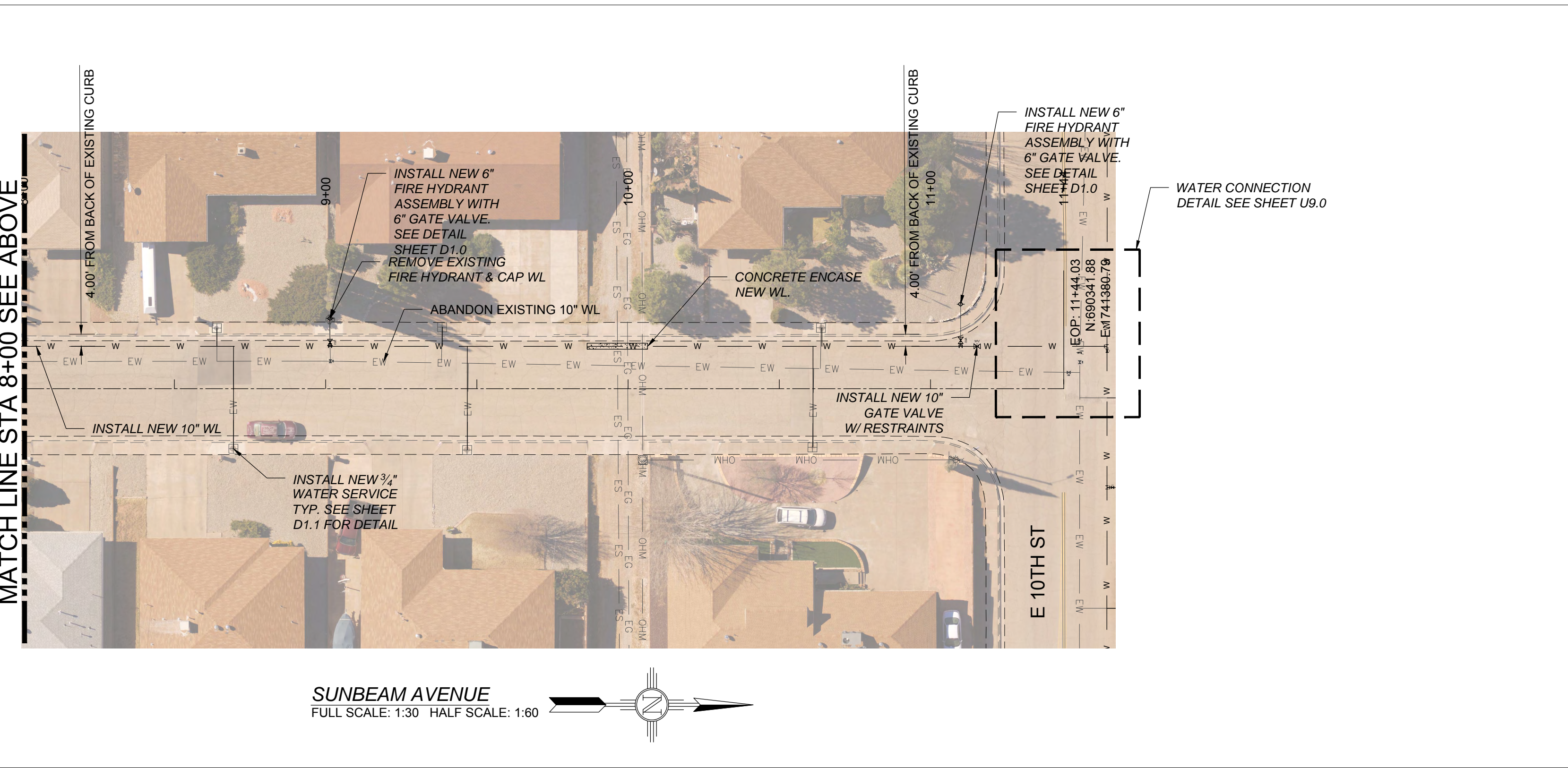
SUNBEAM AVE. 6" FIRE HYDRANT ASSEMBLY	
STA. AND OFFSET	LENGTH
0+28.68, 26.92 LT	12.92'
4+00.00, 23.78 LT	9.78'
9+01.47, 23.23 LT	9.23'
11+09.95, 27.94 LT	13.94'

SUNBEAM AVENUE
FULL SCALE: 1:30 HALF SCALE: 1:60

EXISTING UTILITY LEGEND	
— EOHT — EOHT —	EXISTING OVER HEAD TELEPHONE
— OHPL — OHPL —	EXISTING OVER HEAD POWER LINE
— ES — ES —	EXISTING SEWER
— EW — EW —	EXISTING WATER
— EG — EG —	EXISTING UNDERGROUND GAS
— ET — ET —	EXISTING UNDERGROUND TELEPHONE



SUNBEAM AVENUE AND ABBOTT AVENUE
FULL SCALE: 1:5 HALF SCALE: 1:10



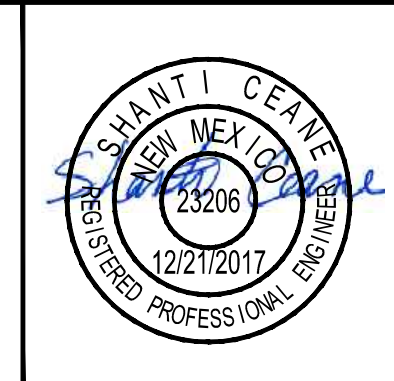
SUNBEAM AVENUE
FULL SCALE: 1:30 HALF SCALE: 1:60

REV. No.	DATE	DESCRIPTION	APPROVED
1	12-21-17	AMENDMENT - 1	SC
0	09-08-17	ISSUED FOR CONSTRUCTION	SC

New Mexico One Call, Inc. Call 2 days before you dig!
NMOC
 Professional Resources for Damage Prevention
 Dial 811 or 1-800-321-2537



Street Maintenance Program FY 2017
SUNBEAM AVENUE WATER LINE REPLACEMENT PLAN STATION 0+00 TO 11+44.03
 CITY OF ALAMOGORDO, NEW MEXICO, ENGINEERING DEPARTMENT



OEI Ocean Engineers Inc.
 3400 HIGHWAY 180 EAST SUITE A
 SILVER CITY, NEW MEXICO 88061
 (575) 538-5395 (OFFICE)
 (575) 538-5410 (FAX)

Public Works Bid No.:	2017-010
Drawn By:	TM
Designed By:	TM
Checked By:	SC
Approved By:	SC
Scale: Horiz.:	Vert.: n/a

Sheet No.:	U12.0
Sheet	72 of 103
	EN1701



MATCH LINE STA 9+00 SEE SHEET BELOW

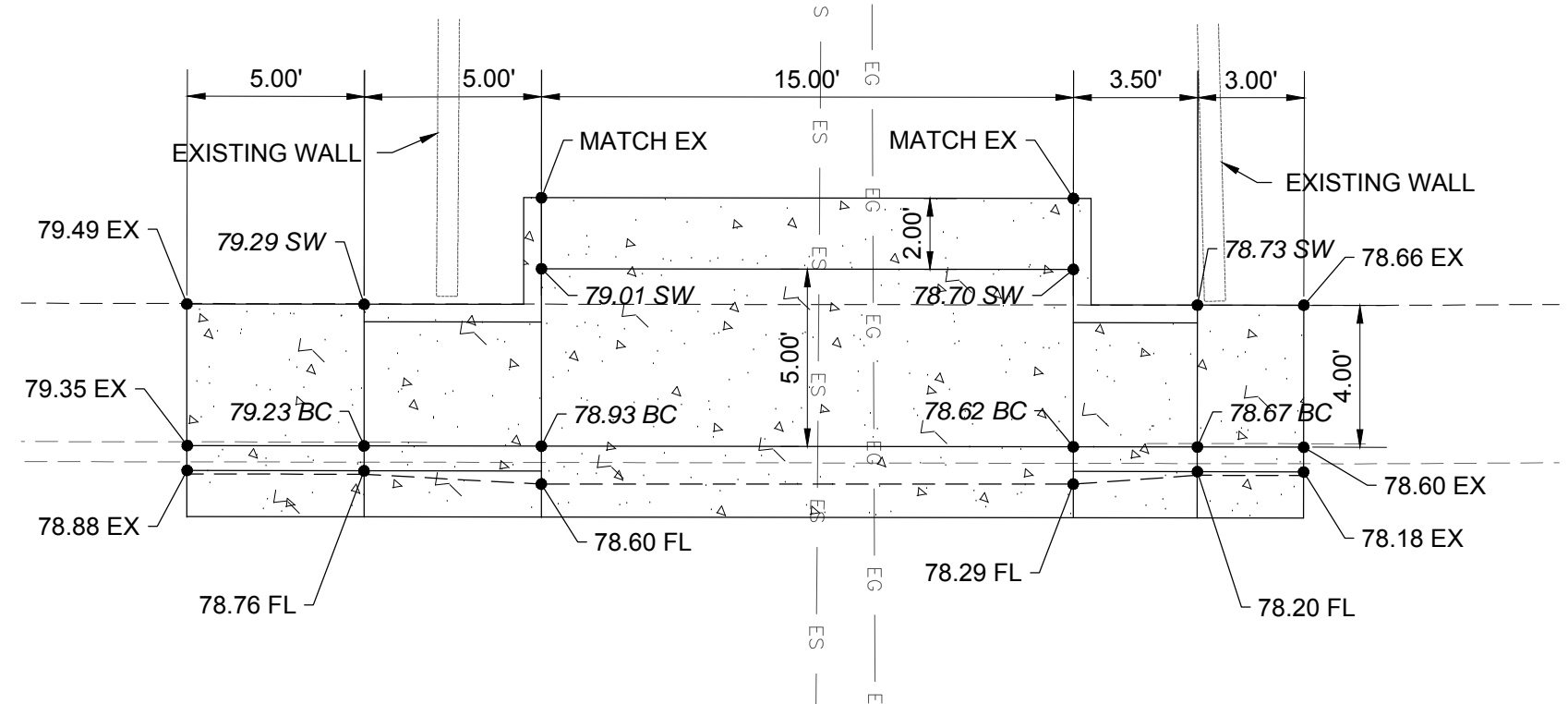
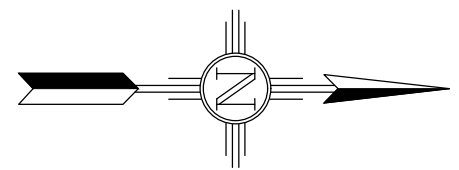
CONSTRUCTION PLAN KEY NOTES:

1. 2" COLD MILL & HMA SP-IV INLAY. TACK COAT MILLED SURFACE. MATCH ADJACENT CURB & GUTTER ELEVATIONS.
2. MATCH EXISTING PAVEMENT ELEVATION.
3. EXISTING CURB AND GUTTER NOT TO BE DISTURBED.
4. APPLY TACK COAT TO PAVEMENT CUT.
5. ADJUST MANHOLE TO GRADE.
6. CAUTION: OVER HEAD UTILITY LINES.
7. CURB & GUTTER TO BE REMOVED & REPLACED.
8. ADJUST VALVE BOX TO GRADE.
9. SAWCUT AND BEGIN MILL-INLAY 2" INTO EXISTING INTERSECTION HMA

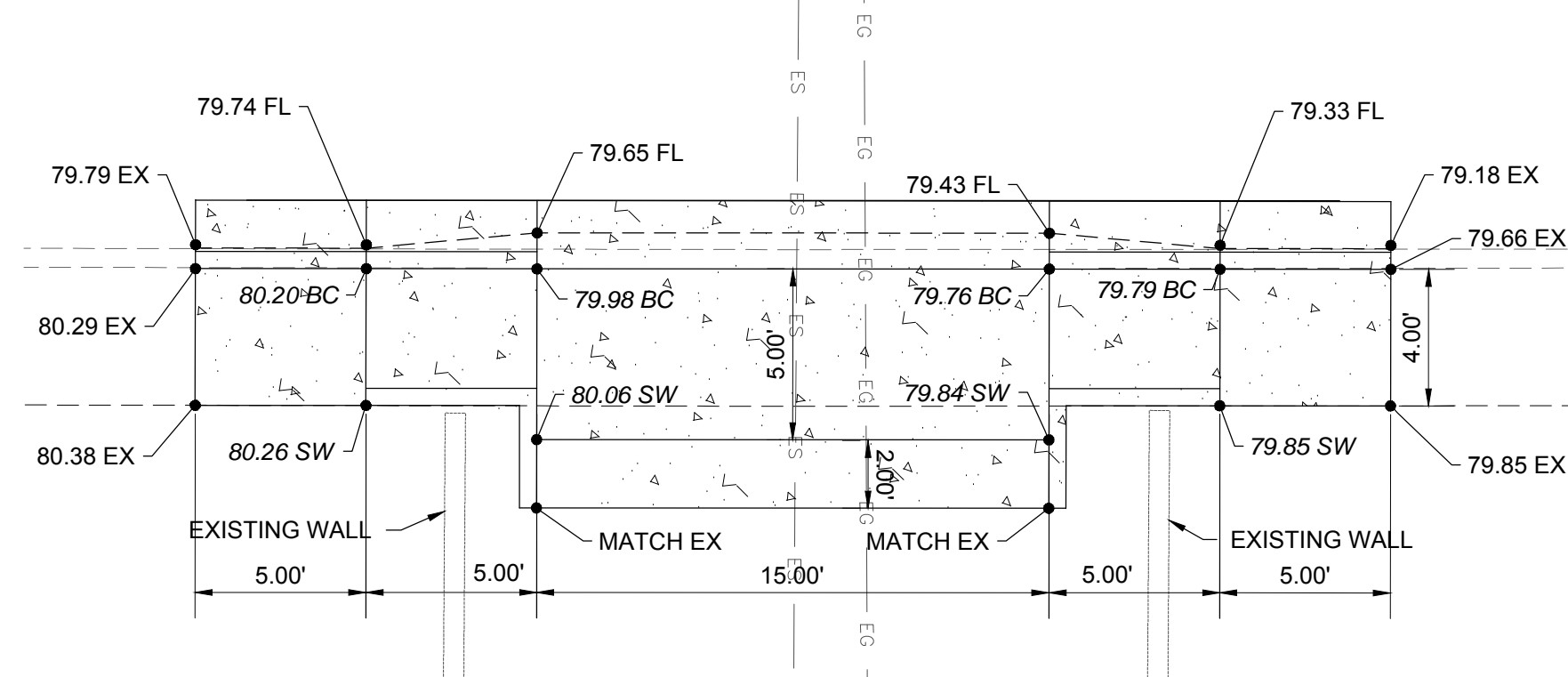
LEGEND

NEW 2" COLD MILL & HMA SP-IV INLAY	
NEW 3" HMA SP-IV	
NEW CONCRETE	
NEW CURB & GUTTER	
EXISTING FIRE HYDRANT	
EXISTING POWER POLE	
EXISTING WATER METER	
EXISTING WATER VALVE	
EXISTING SEWER MAHOLE	
EXISTING ROADWAY CENTERLINE	
EXISTING OVER HEAD ELECTRIC LINES	

SUNSHINE AVENUE
FULL SCALE: 1:30 HALF SCALE: 1:60

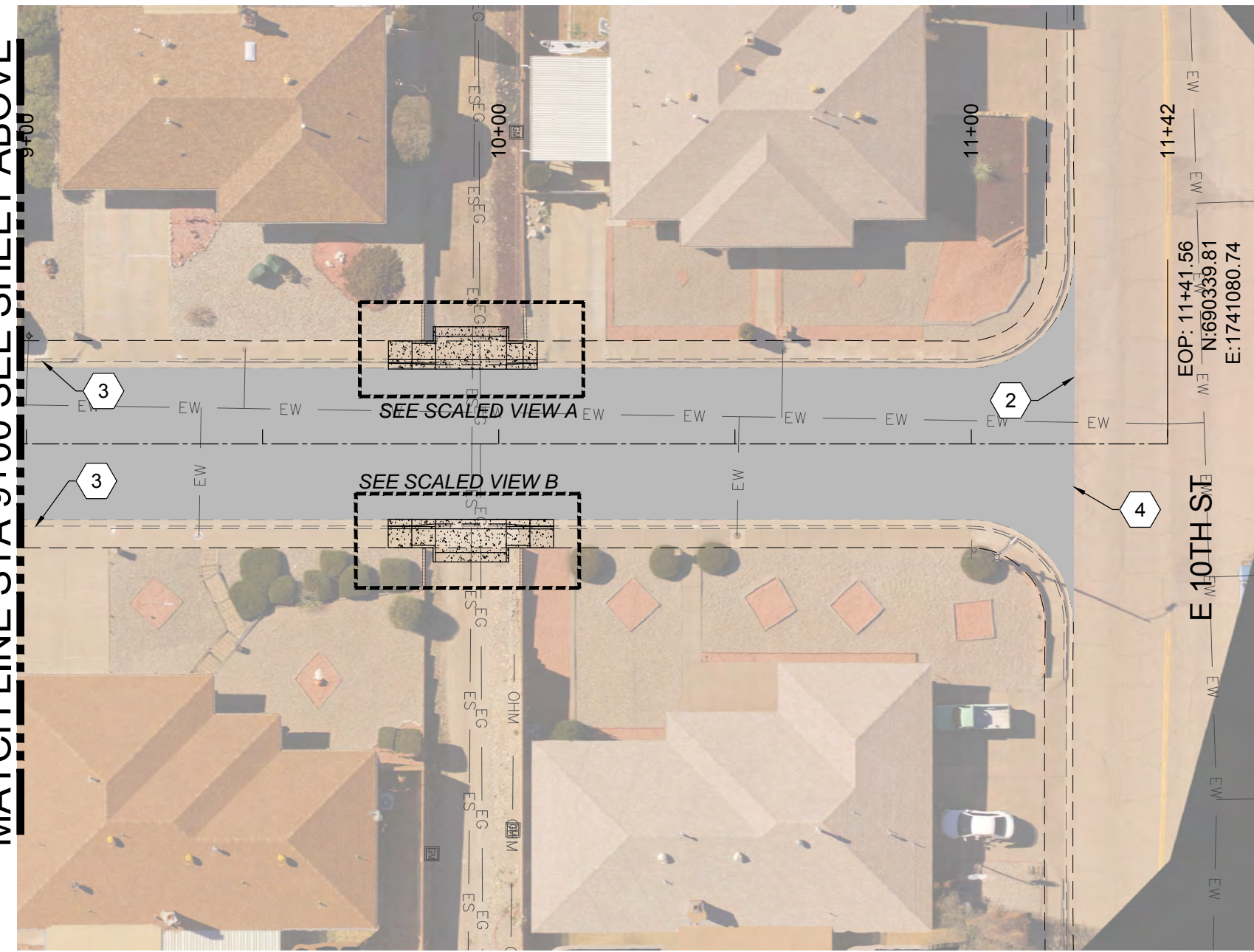


SCALED VIEW A
FULL SCALE: 1:5 HALF SCALE: 1:10

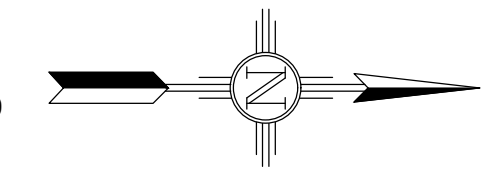


SCALED VIEW B
FULL SCALE: 1:5 HALF SCALE: 1:10

MATCH LINE STA 9+00 SEE SHEET ABOVE



SUNSHINE AVENUE
FULL SCALE: 1:30 HALF SCALE: 1:30



REV. No.	DATE	DESCRIPTION	APPROVED

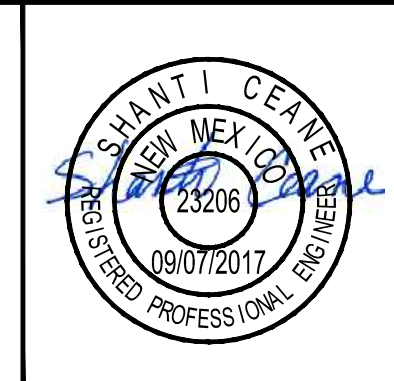
New Mexico One Call, Inc. Call 2 days before you dig!
NMOC Dial 811 or 1-800-321-2537
 Professional Resources for Damage Prevention



Street Maintenance Program FY 2017

SUNSHINE AVENUE MILLING AND DRIVE PAD CONSTRUCTION

CITY OF ALAMOGORDO, NEW MEXICO, ENGINEERING DEPARTMENT

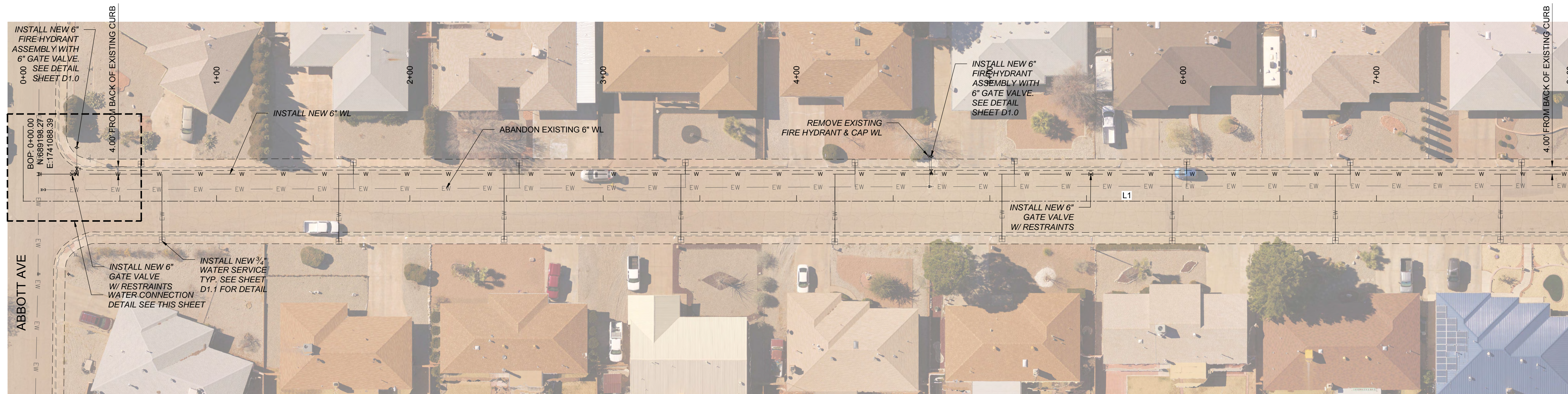


OEI Ocean Engineers Inc.
 3400 HIGHWAY 180 EAST SUITE A
 SILVER CITY, NEW MEXICO 88061
 (575) 538-5395 (OFFICE)
 (575) 538-5410 (FAX)

Public Works Bid No.:	2017-010
Drawn By:	TM
Designed By:	TM
Checked By:	SC
Approved By:	SC

Scale: Horiz.: VARIES Vert.: n/a

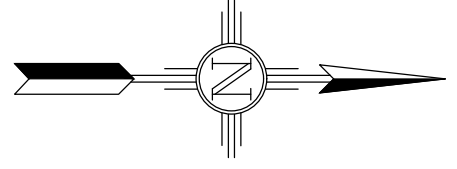
Sheet No.:	RC 12.0
Sheet 23 of 103	
EN1701	



SUNSHINE AVE. WATER SERVICES		
STA. AND OFFSET	SIZE	LENGTH
0+60.79, 19.36 LT	3/4"	5.36'
0+71.75, 19.77 RT	3/4"	33.77'
1+63.20, 20.69 RT	3/4"	34.69'
1+70.76, 20.02 LT	3/4"	6.02'
2+48.77, 19.65 RT	3/4"	33.65'
2+56.43, 19.81 LT	3/4"	5.81'
3+40.22, 19.92 RT	3/4"	33.92'
3+42.48, 19.84 LT	3/4"	5.84'
4+19.89, 20.95 RT	3/4"	34.95'
4+30.31, 19.91 LT	3/4"	5.91'
5+06.25, 19.39 RT	3/4"	33.39'
5+12.69, 20.76 LT	3/4"	6.76'
5+94.31, 20.36 RT	3/4"	34.36'
6+01.74, 20.25 LT	3/4"	6.25'
6+78.73, 20.27 RT	3/4"	34.27'
6+86.47, 19.93 LT	3/4"	5.93'
7+64.14, 19.75 RT	3/4"	33.75'
7+75.04, 20.04 LT	3/4"	6.04'
8+51.24, 20.14 RT	3/4"	34.14'
8+58.53, 19.27 LT	3/4"	5.27'
9+36.49, 19.41 RT	3/4"	33.41'
9+46.26, 19.88 LT	3/4"	5.88'
10+50.41, 19.41 RT	3/4"	33.41'
10+60.10, 20.08 LT	3/4"	6.08'

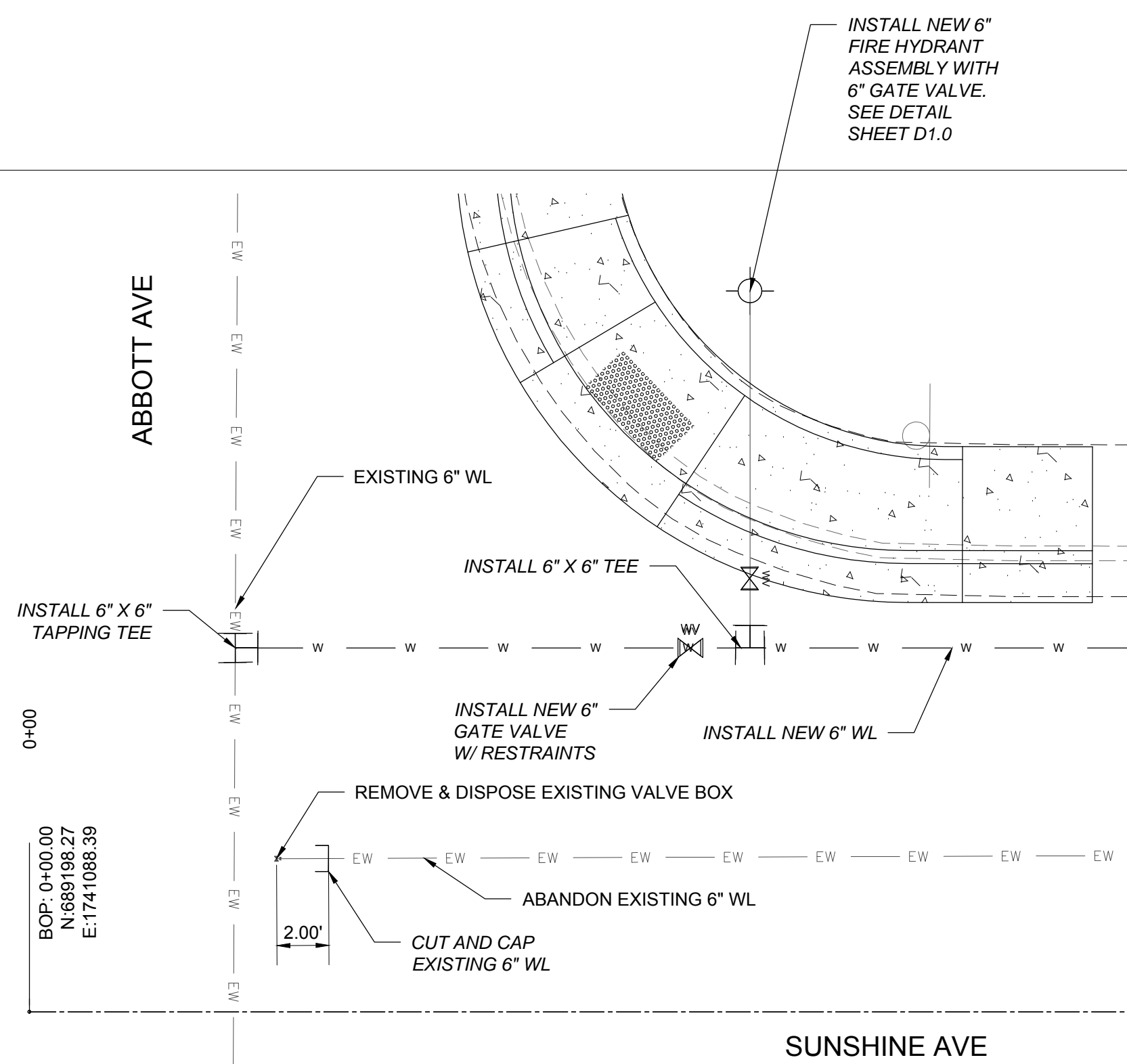
SUNSHINE AVE. 6" FIRE HYDRANT ASSEMBLY	
STA. AND OFFSET	LENGTH
0+27.72, 27.73 LT	13.73'
4+69.72, 23.14 LT	19.14'
9+00.12, 23.14 LT	9.14'

SUNSHINE AVENUE
FULL SCALE: 1:30 HALF SCALE: 1:60

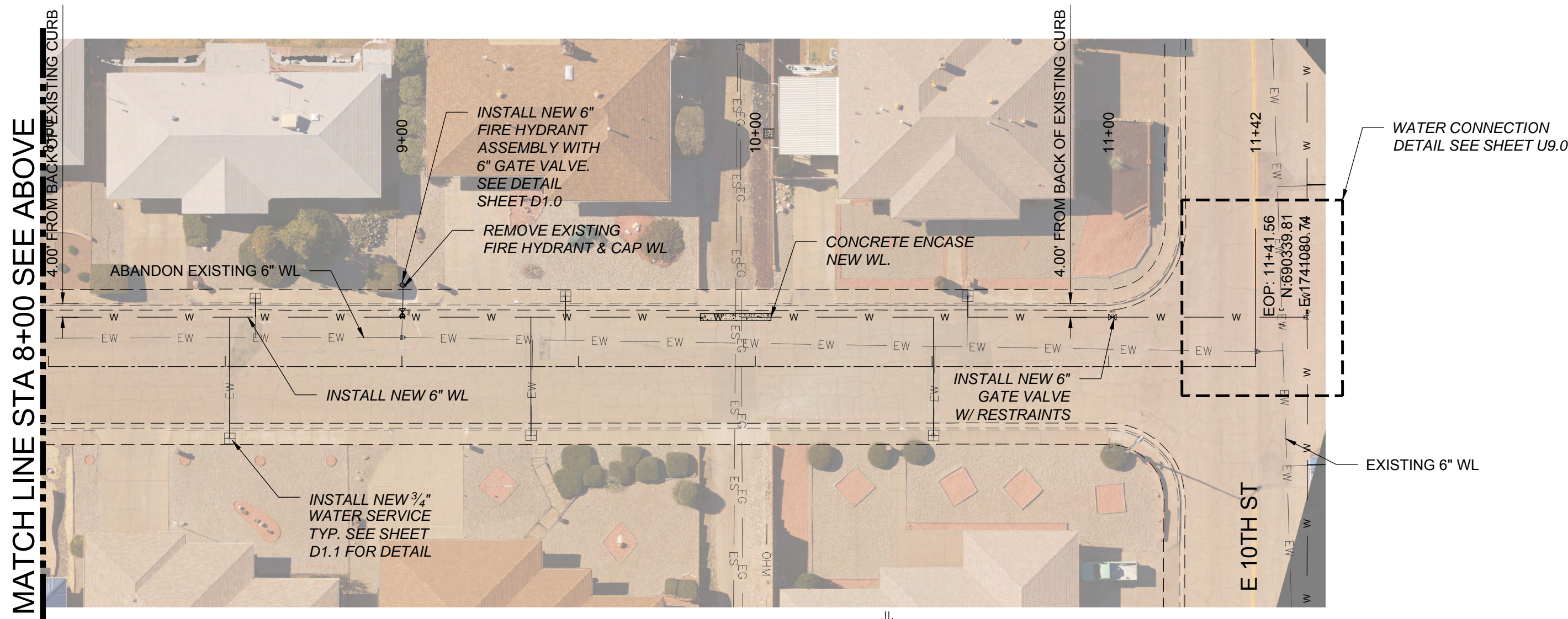
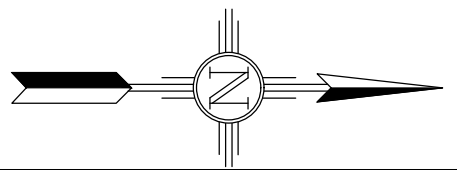


EXISTING UTILITY LEGEND

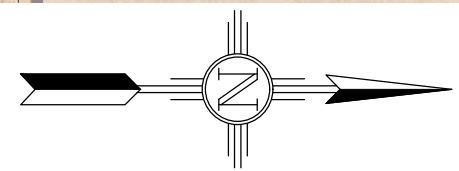
- EOHT — EOHT — EXISTING OVER HEAD TELEPHONE
- OHPL — OHPL — EXISTING OVER HEAD POWER LINE
- ES — ES — EXISTING SEWER
- EW — EW — EXISTING WATER
- EG — EG — EXISTING UNDERGROUND GAS
- ET — ET — EXISTING UNDERGROUND TELEPHONE



SUNSHINE AVENUE AND ABBOTT AVENUE
FULL SCALE: 1:5 HALF SCALE: 1:10



SUNSHINE AVENUE
FULL SCALE: 1:30 HALF SCALE: 1:60



REV. No.	DATE	DESCRIPTION	APPROVED
1	12-21-17	AMENDMENT - 1	SC
0	09-08-17	ISSUED FOR CONSTRUCTION	SC

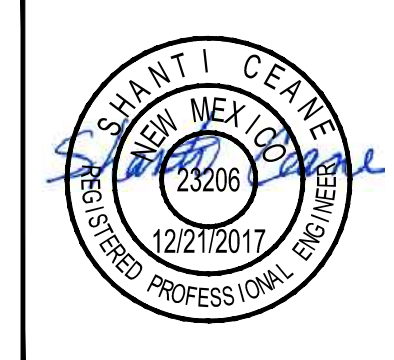
New Mexico One Call, Inc. Call 2 days before you dig!
NMOC
 Professional Resources for Damage Prevention
 Dial 811 or 1-800-321-2537



Street Maintenance Program FY 2017

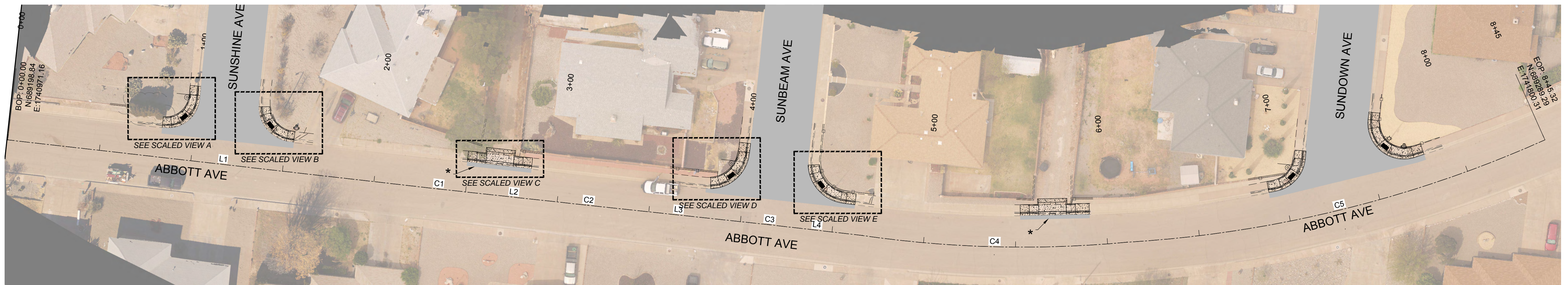
SUNSHINE AVENUE WATER LINE REPLACEMENT PLAN STATION 0+00 TO 11+41.56

CITY OF ALAMOGORDO, NEW MEXICO, ENGINEERING DEPARTMENT



OEI Ocean Engineers Inc.
 3400 HIGHWAY 180 EAST SUITE A
 SILVER CITY, NEW MEXICO 88061
 (575) 538-5395 (OFFICE)
 (575) 538-5410 (FAX)

Public Works Bid No.:	2017-010	Sheet No.:	U11.0
Drawn By:	TM	Designed By:	TM
Checked By:	SC	Approved By:	SC
Scale: Horiz.:	Vert.: n/a	Sheet 71 of 103	
			EN1701



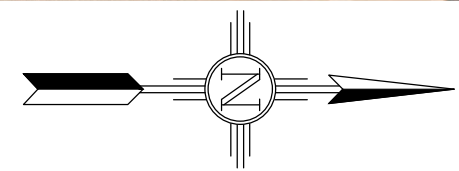
CONSTRUCTION PLAN KEY NOTES:

1. 2" COLD MILL & HMA SP-IV INLAY. TACK COAT MILLED SURFACE. MATCH ADJACENT CURB & GUTTER ELEVATIONS.
2. MATCH EXISTING PAVEMENT ELEVATION.
3. EXISTING CURB AND GUTTER NOT TO BE DISTURBED.
4. APPLY TACK COAT TO PAVEMENT CUT.
5. ADJUST MANHOLE TO GRADE.
6. CAUTION: OVER HEAD UTILITY LINES.
7. CURB & GUTTER TO BE REMOVED & REPLACED.
8. ADJUST VALVE BOX TO GRADE.
9. SAWCUT AND BEGIN MILL-INLAY 2" INTO EXISTING INTERSECTION HMA

LEGEND

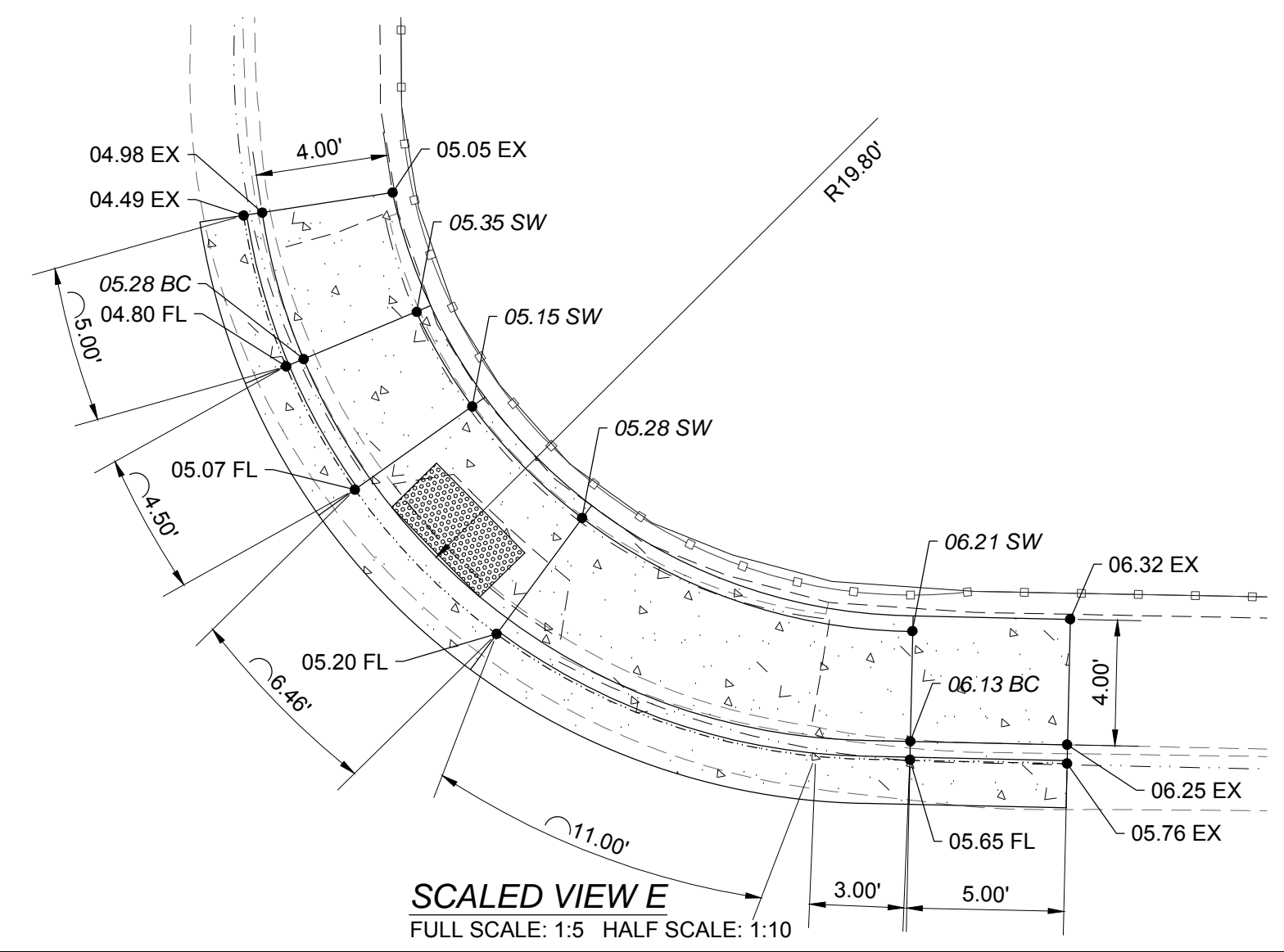
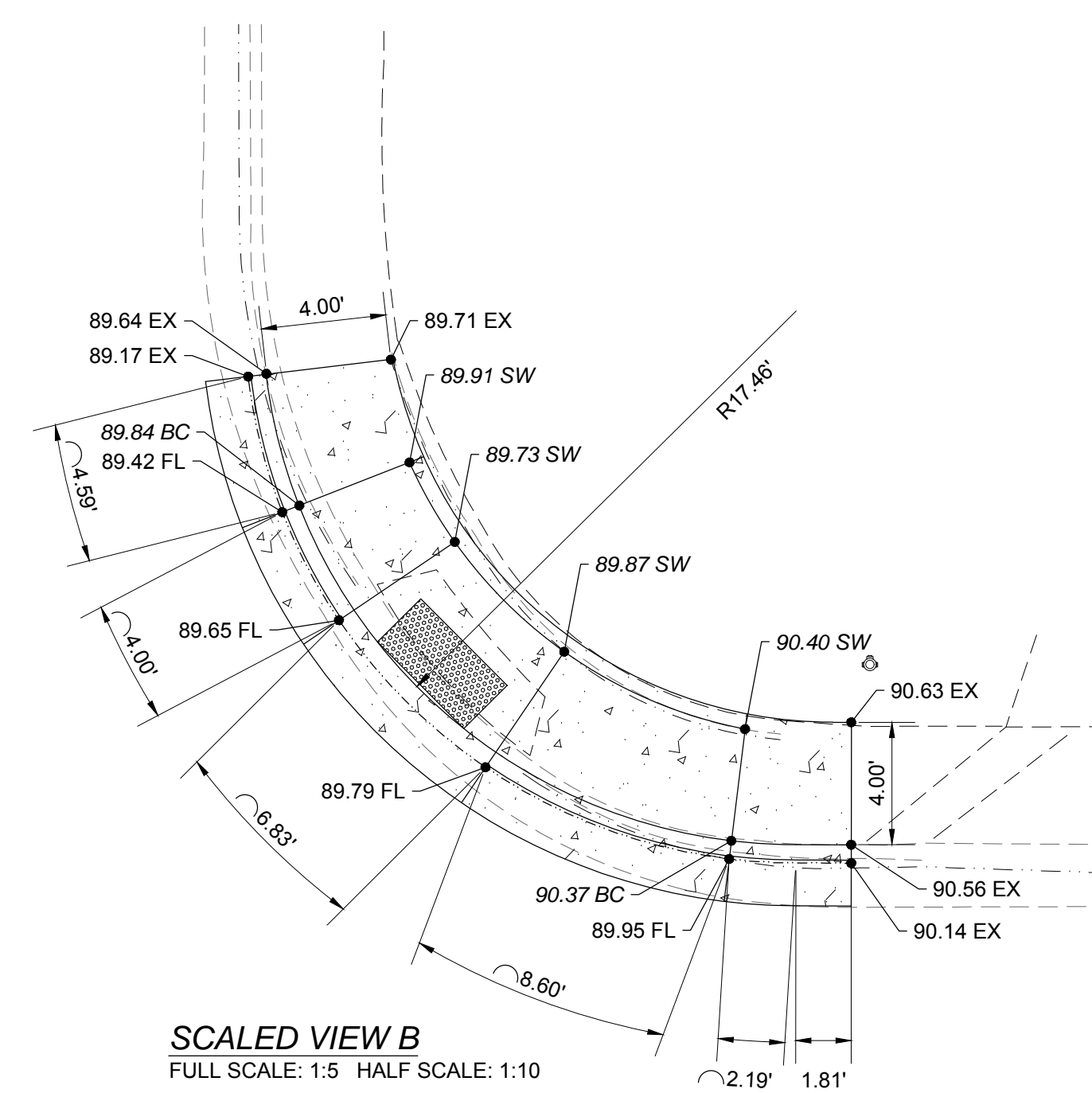
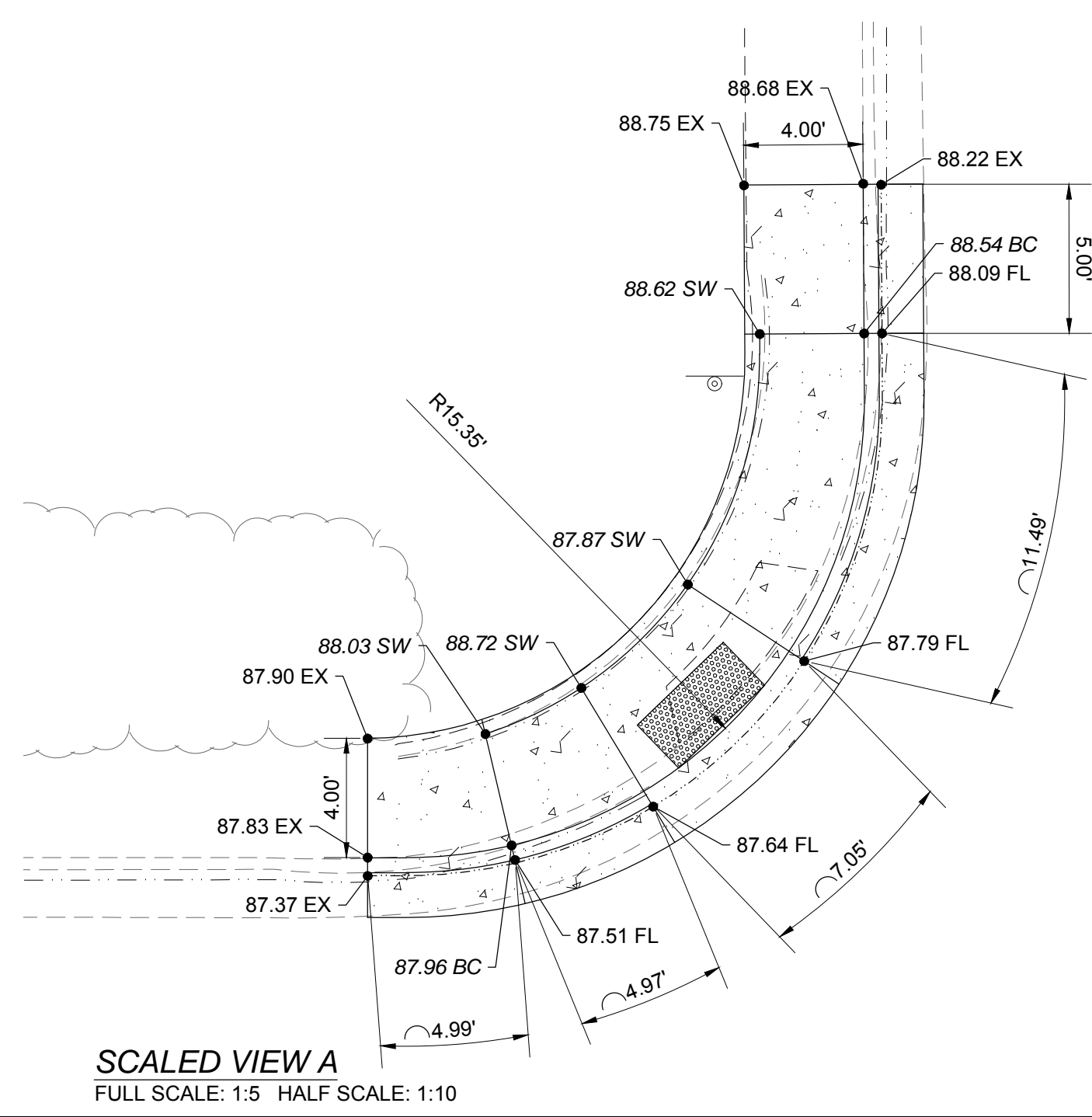
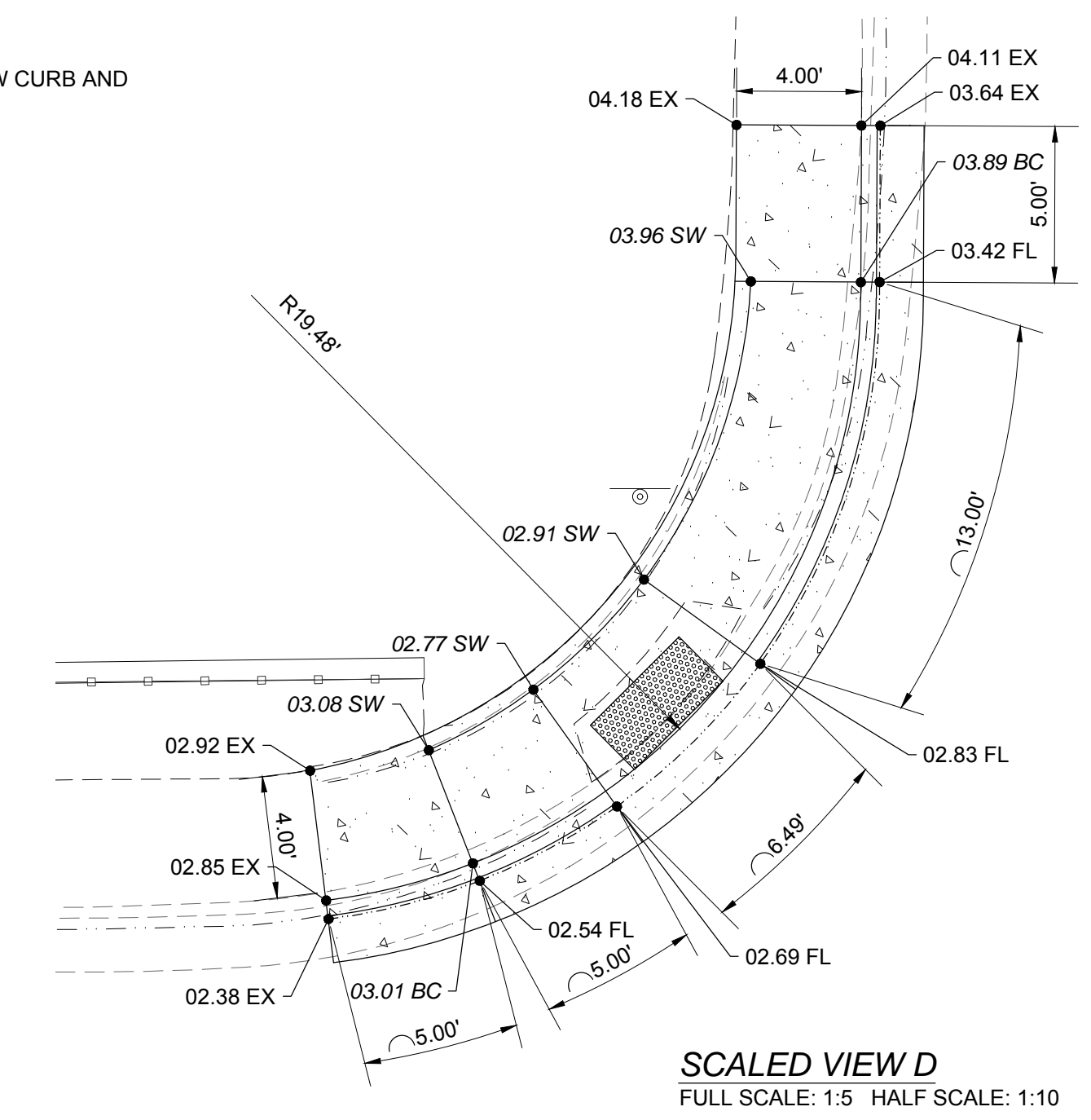
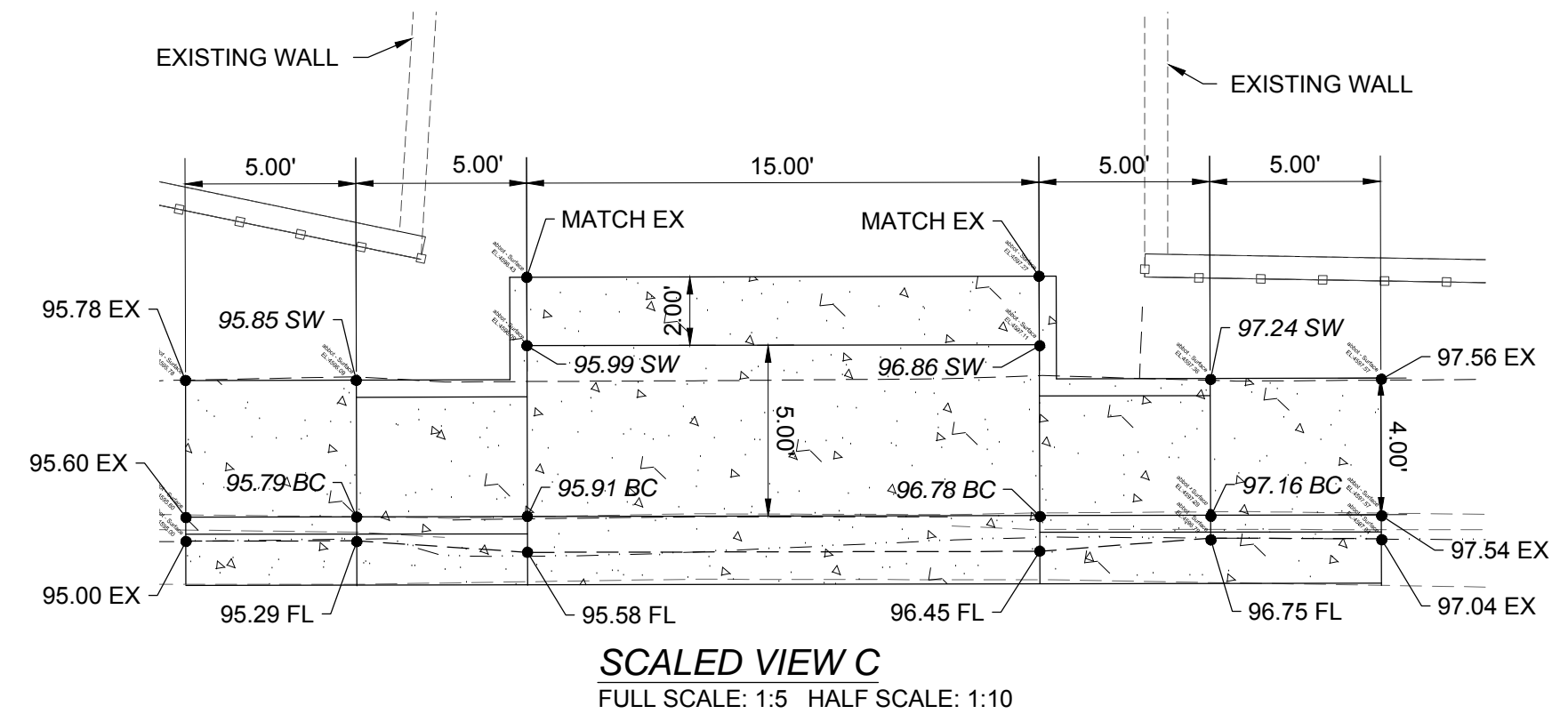
NEW 2" COLD MILL & HMA SP-IV INLAY	
NEW 3" HMA SP-IV	
NEW CONCRETE	
NEW CURB & GUTTER	
EXISTING FIRE HYDRANT	
EXISTING POWER POLE	
EXISTING WATER METER	
EXISTING WATER VALVE	
EXISTING SEWER MAHOLE	
EXISTING ROADWAY CENTERLINE	
EXISTING OVER HEAD ELECTRIC LINES	

ABBOTT AVENUE
FULL SCALE: 1:30 HALF SCALE: 1:60



NOTE:

* 2" PATCH WITH NEW 3" HMA SP-IV AT NEW CURB AND EXISTING PAVEMENT

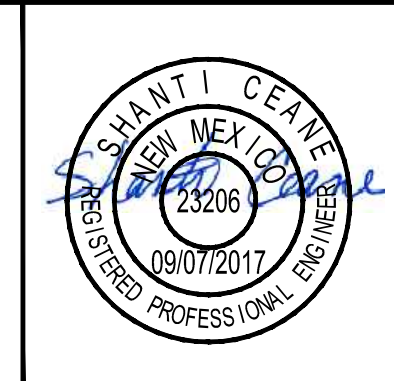


REV. No.	DATE	DESCRIPTION	APPROVED

New Mexico One Call, Inc. Call 2 days before you dig!
NMOC Dial 811 or 1-800-321-2537
 Professional Resources for Damage Prevention



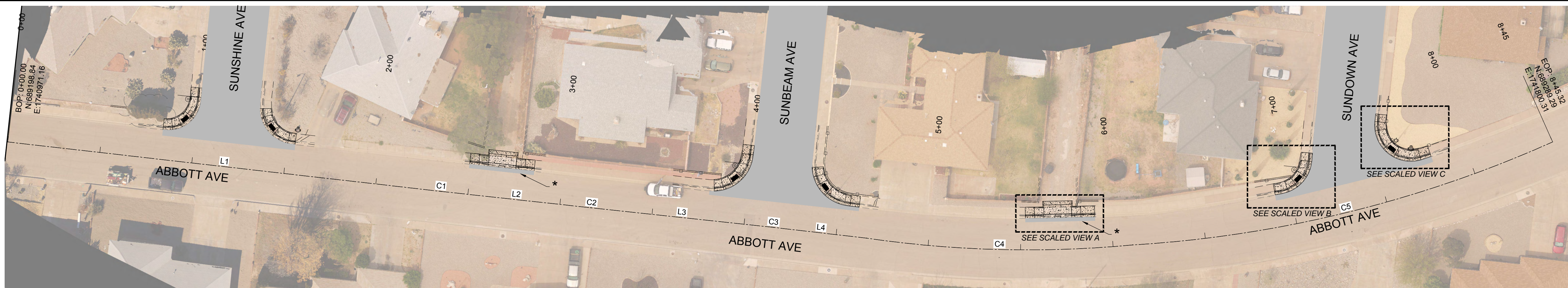
Street Maintenance Program FY 2017
ABBOTT AVENUE ROAD CONSTRUCTION PLAN
STATION 0+00 TO 8+45
 CITY OF ALAMOGORDO, NEW MEXICO, ENGINEERING DEPARTMENT



OEI Ocean Engineers Inc.
 3400 HIGHWAY 180 EAST SUITE A
 SILVER CITY, NEW MEXICO 88061
 (575) 538-5395 (OFFICE)
 (575) 538-5410 (FAX)

Public Works Bid No.:	2017-010
Drawn By:	TM
Designed By:	TM
Checked By:	SC
Approved By:	SC
Scale: Horiz.:	VARIES
Vert.:	n/a

Sheet No.:	RC 15.0
Sheet	26 of 103
EN	1701



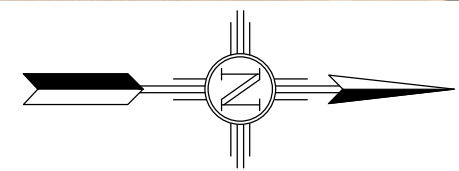
CONSTRUCTION PLAN KEY NOTES:

1. 2" COLD MILL & HMA SP-IV INLAY. TACK COAT MILLED SURFACE. MATCH ADJACENT CURB & GUTTER ELEVATIONS.
2. MATCH EXISTING PAVEMENT ELEVATION.
3. EXISTING CURB AND GUTTER NOT TO BE DISTURBED.
4. APPLY TACK COAT TO PAVEMENT CUT.
5. ADJUST MANHOLE TO GRADE.
6. CAUTION: OVER HEAD UTILITY LINES.
7. CURB & GUTTER TO BE REMOVED & REPLACED.
8. ADJUST VALVE BOX TO GRADE.
9. SAWCUT AND BEGIN MILL-INLAY 2" INTO EXISTING INTERSECTION HMA

LEGEND

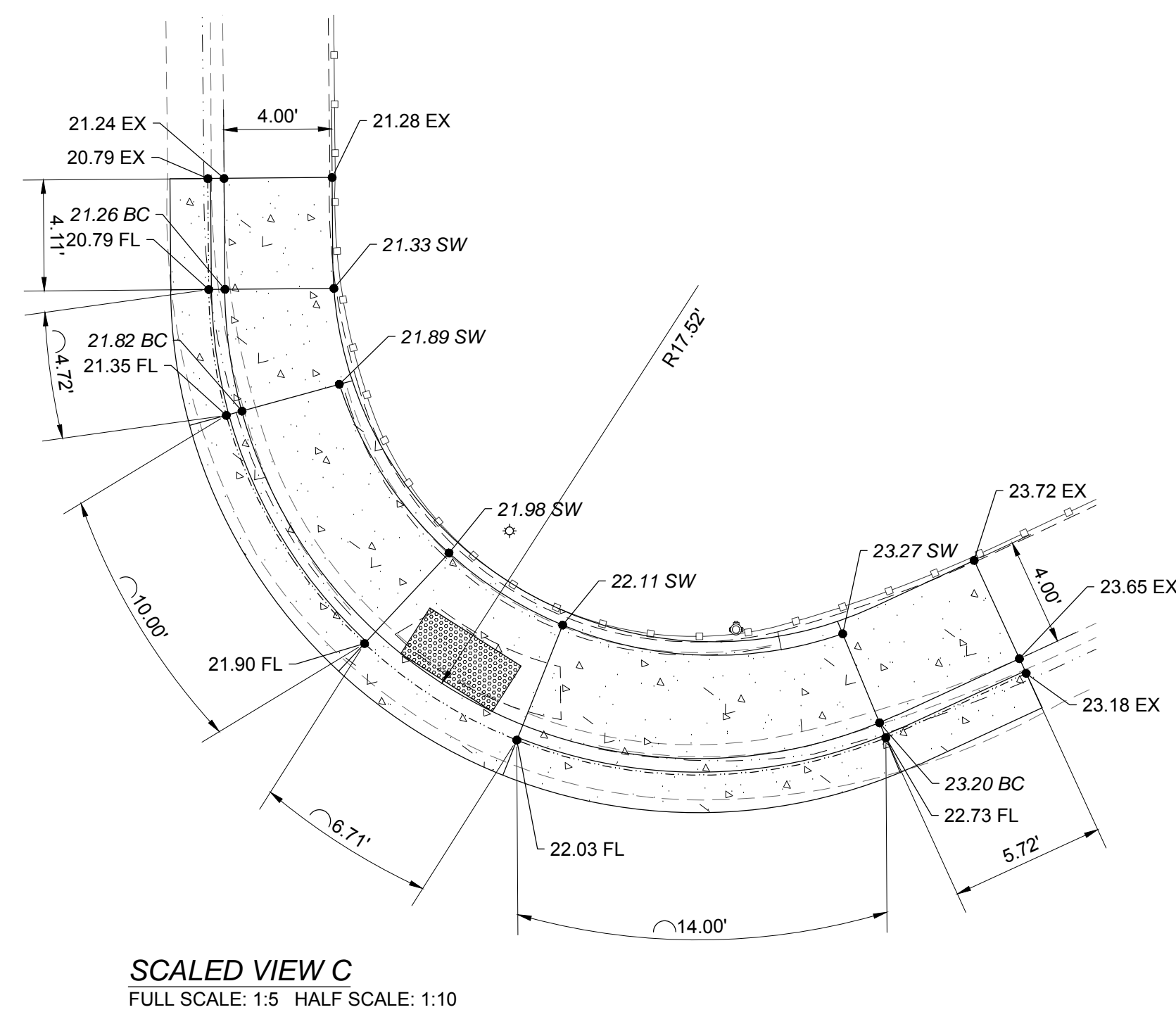
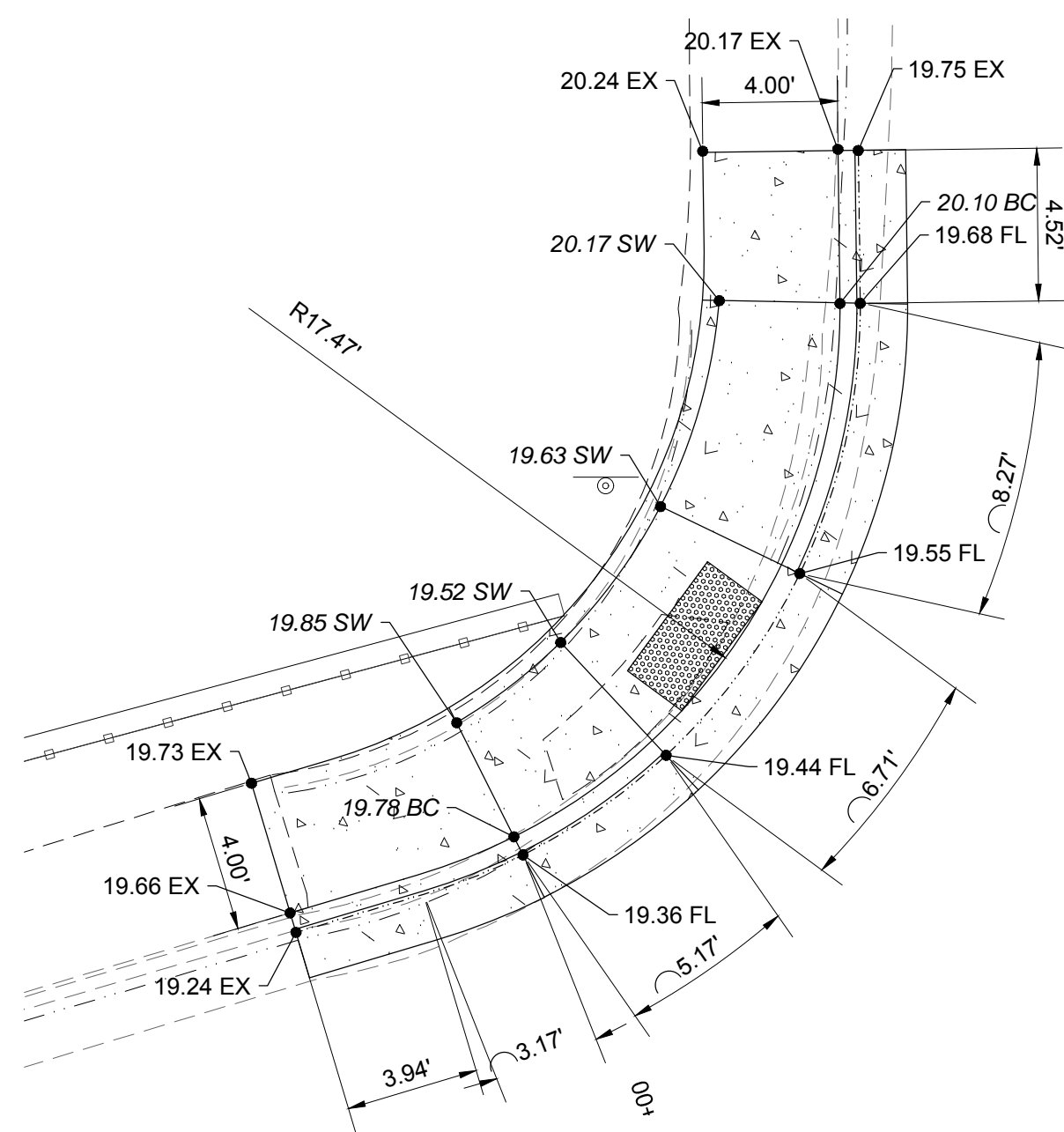
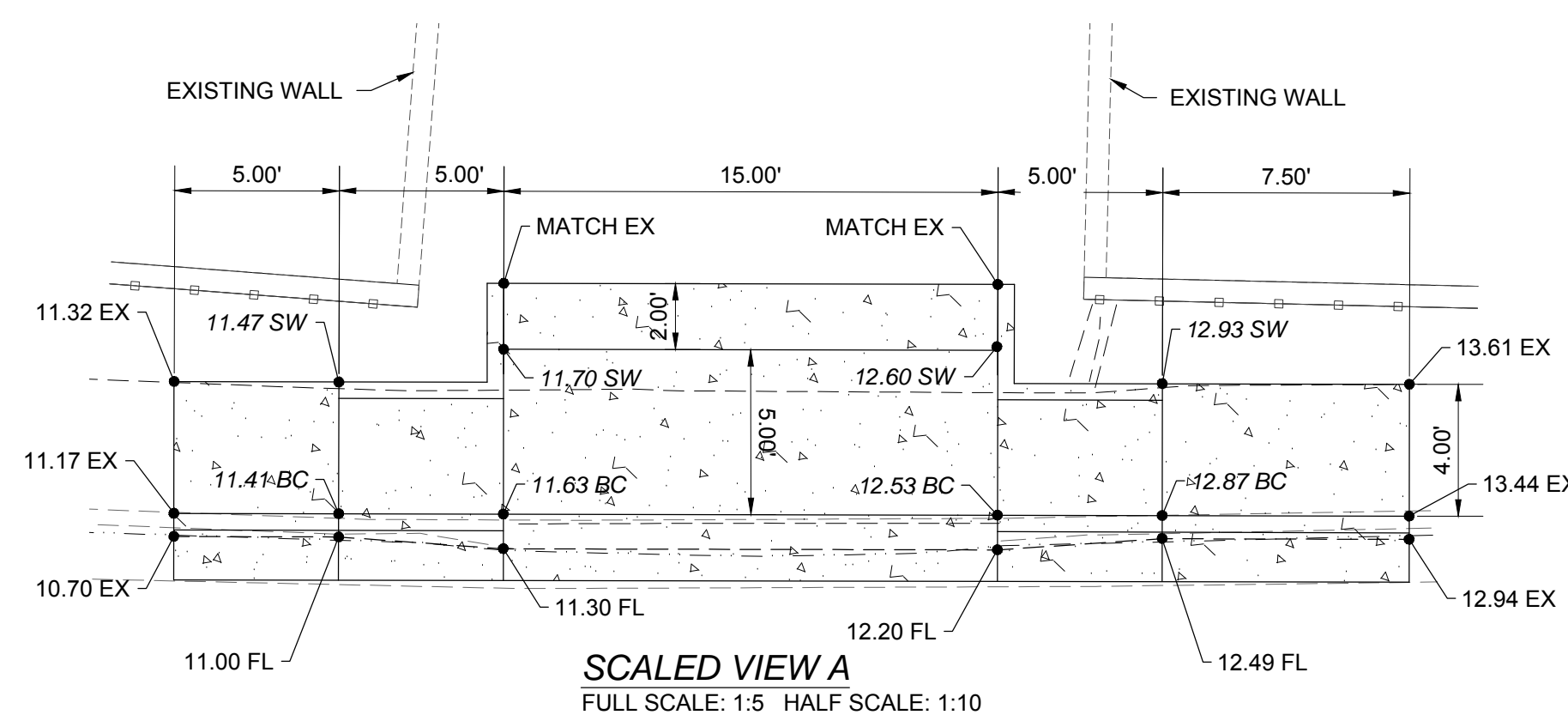
NEW 2" COLD MILL & HMA SP-IV INLAY	
NEW 3" HMA SP-IV	
NEW CONCRETE	
NEW CURB & GUTTER	
EXISTING FIRE HYDRANT	
EXISTING POWER POLE	
EXISTING WATER METER	
EXISTING WATER VALVE	
EXISTING SEWER MAHOLE	
EXISTING ROADWAY CENTERLINE	
EXISTING OVER HEAD ELECTRIC LINES	

ABBOTT AVENUE
FULL SCALE: 1:30 HALF SCALE: 1:60



NOTE:

- * 2" PATCH WITH NEW 3" HMA SP-IV AT NEW CURB AND EXISTING PAVEMENT

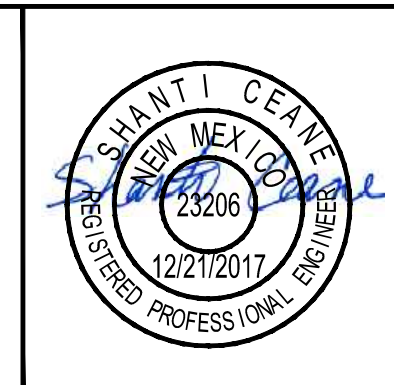


REV. No.	DATE	DESCRIPTION	APPROVED
1	12-21-17	AMENDMENT - 1	SC
0	09-08-17	ISSUED FOR CONSTRUCTION	SC

New Mexico One Call, Inc. Call 2 days before you dig!
NMOC Dial 811 or 1-800-321-2537
 Professional Resources for Damage Prevention



Street Maintenance Program FY 2017
ABBOTT AVENUE ROAD CONSTRUCTION PLAN
STATION 0+00 TO 8+45
 CITY OF ALAMOGORDO, NEW MEXICO, ENGINEERING DEPARTMENT



OEI Ocean Engineers Inc.
 3400 HIGHWAY 180 EAST SUITE A
 SILVER CITY, NEW MEXICO 88061
 (575) 538-5395 (OFFICE)
 (575) 538-5410 (FAX)

Public Works Bid No.:	2017-010
Drawn By:	TM
Designed By:	TM
Checked By:	SC
Approved By:	SC
Scale: Horiz.:	VARIABLES
Vert.:	n/a

Sheet No.: **RC 15.1**
 Sheet 27 of 103
 EN1701