

**Lancaster County
School District**

Amendment #1

Solicitation Number 202308
 Amendment Issue Date 11/2/2022
 Solicitation Issue Date 10/25/2022
 Procurement Officer Trevor Hammond, NIGP-CPP, CPPB
 Phone (803) 416-8828
 E-Mail Address Procurement@lcsd.k12.sc.us

DESCRIPTION: **Custom Bally Walk-In Cooler & Freezer Units for Multiple School Locations**

The Term "Offer" Means Your "Bid" or "Proposal".

SUBMIT OFFER BY (Opening Date/Time): **11/17/22 at 10:00 AM – EST**

See "Deadline for Submission of Offer" provision

QUESTIONS MUST BE RECEIVED BY: **11/7/22 at 10:00 AM - EST**

See "Questions from Offerors" provision

NUMBER OF COPIES TO BE SUBMITTED: **One (1) original**

Offers must be submitted in a sealed package. Solicitation Number & Opening Date must appear on package exterior.

SUBMIT YOUR OFFER TO THE FOLLOWING ADDRESS:

| |
|--|
| PHYSICAL & MAILING ADDRESS: Lancaster County School District Attn: Melinda Adams 300 South Catawba Street Lancaster, SC 29720 <small>See "Submitting Your Offer" provision</small> |
|--|

| | | | |
|---|-------------|---|--|
| CONFERENCE TYPE: N/A DATE & TIME: <small>(As appropriate, see "Conferences - Pre-Bid/Proposal" & "Site Visit" provisions)</small> | | PRE-BID LOCATION: N/A | |
| AWARD & AMENDMENTS Notice of Intent to Award will be posted on or about 11/18/2022 at the physical address stated above and at the following web address: https://sites.google.com/lcsd.k12.sc.us/lcsd-procurement/solicitations-awards . | | | |
| You must submit a signed copy of this form with your offer. By submitting a bid or proposal, you agree to be bound by the terms of the solicitation. You agree to hold your offer open for a minimum of sixty (60) calendar days after the opening date. | | | |
| NAME OF OFFEROR <small>(Full legal name of business submitting the offer)</small> | | OFFEROR'S TYPE OF ENTITY: <small>(Check one)</small> <input type="checkbox"/> Sole Proprietorship <input type="checkbox"/> Partnership <input type="checkbox"/> Corporate entity (not tax-exempt) <input type="checkbox"/> Tax exempt corporate entity <input type="checkbox"/> Government entity (federal, state, or local) <input type="checkbox"/> Other _____ <small>(See "Signing your Offer" provision)</small> | |
| AUTHORIZED SIGNATURE <small>(Person signing must be authorized to submit binding offer to enter contract on behalf of Offeror named above.)</small> | | | |
| TITLE <small>(Business title of person signing above)</small> | | | |
| PRINTED NAME <small>(Printed name of person signing above)</small> | DATE SIGNED | | |
| Instructions regarding Offeror's name: Any award issued will be issued to, and the contract will be formed with, the entity identified as the offeror above. An offer may be submitted by only one legal entity. The entity named as the offeror must be a single and distinct legal entity. Do not use the name of a branch office or a division of a larger entity if the branch or division is not a separate legal entity, i.e., a separate corporation, partnership, sole proprietorship, etc. | | | |
| STATE OF INCORPORATION | | <small>(If offeror is a corporation, identify the State of Incorporation.)</small> | |
| TAXPAYER IDENTIFICATION NO. | | <small>(See "Taxpayer Identification Number" provision)</small> | |

PAGE TWO
(Return Page Two with Your Offer)

| | |
|--|---|
| HOME OFFICE ADDRESS (Address for offeror's home office / principal place of business) | NOTICE ADDRESS (Address to which all procurement and contract related notices should be sent.) (See "Notice" clause) |
| | Area Code - Number - Extension Facsimile |
| | E-mail Address |

| | |
|---|--|
| PAYMENT ADDRESS (Address to which payments will be sent.) (See "Payment" clause) | ORDER ADDRESS (Address to which purchase orders will be sent) (See "Purchase Orders and "Contract Documents" clauses) |
| ___ Payment Address same as Home Office Address ___ Payment Address same as Notice Address (check only one) | ___ Order Address same as Home Office Address ___ Order Address same as Notice Address (check only one) |

| ACKNOWLEDGMENT OF AMENDMENTS Offeror acknowledges receipt of amendments by indicating amendment number and its date of issue. (See "Amendments to Solicitation" Provision) | | | | | | | |
|--|----------------------|---------------|----------------------|---------------|----------------------|---------------|----------------------|
| Amendment No. | Amendment Issue Date | Amendment No. | Amendment Issue Date | Amendment No. | Amendment Issue Date | Amendment No. | Amendment Issue Date |
| | | | | | | | |
| | | | | | | | |

| | | | | |
|--|----------------------|----------------------|----------------------|------------------------|
| DISCOUNT FOR PROMPT PAYMENT (See "Discount for Prompt Payment" clause) | 10 Calendar Days (%) | 20 Calendar Days (%) | 30 Calendar Days (%) | ____ Calendar Days (%) |
|--|----------------------|----------------------|----------------------|------------------------|

Minority Participation: Are you a SC Certified Minority Vendor: Yes No ; If yes, SC Certification # _____
 Are you a Non SC Certified Minority Vendor - Yes No

PREFERENCES - A NOTICE TO VENDORS (SEP. 2009): On June 16, 2009, the South Carolina General Assembly rewrote the law governing preferences available to in-state vendors, vendors using in-state subcontractors, and vendors selling in-state or US end products. This law appears in Section 11-35-1524 of the South Carolina Code of Laws. A summary of the new preferences is available at www.procurement.sc.gov/preferences. **ALL THE PREFERENCES MUST BE CLAIMED AND ARE APPLIED BY LINE ITEM, REGARDLESS OF WHETHER AWARD IS MADE BY ITEM OR LOT. VENDORS ARE CAUTIONED TO CAREFULLY REVIEW THE STATUTE BEFORE CLAIMING ANY PREFERENCES. THE REQUIREMENTS TO QUALIFY HAVE CHANGED. IF YOU REQUEST A PREFERENCE, YOU ARE CERTIFYING THAT YOUR OFFER QUALIFIES FOR THE PREFERENCE YOU'VE CLAIMED. IMPROPERLY REQUESTING A PREFERENCE CAN HAVE SERIOUS CONSEQUENCES.**

PREFERENCES - ADDRESS AND PHONE OF IN-STATE OFFICE: Please provide the address and phone number for your in-state office in the space provided below. An in-state office is necessary to claim either the Resident Vendor Preference (11-35-1524(C)(1)(i)&(ii)) or the Resident Contractor Preference (11-35-1524(C)(1)(iii)). Accordingly, you must provide this information to qualify for the preference. An in-state office is not required, but can be beneficial, if you are claiming the Resident Subcontractor Preference (11-35-1524(D)).

___ In-State Office Address same as Home Office Address
 ___ In-State Office Address same as Notice Address

Effective this date, this amendment forms part of the contract documents and modifies the original IFB.

Revision 1:

Section IX. (page 28) “Attachments to Solicitation” has been amended as follows:

Attachment # 1 for each school (i.e. A-1, B-1, C-1, etc.) has been revised to add page 1 which shows the optional warranties requested. In addition, for South Middle School, Attachment E-1 has been revised to include the load calculations for the Combo Cooler/Freezer Unit.

In an effort to avoid confusion, Section IX shall now be titled “Attachments to Solicitation – Revised” and all attachment titles shall now be labeled as Revised (i.e. Attachment A-1 – Revised). Please see Section IX. “Attachments to Solicitation – Revised” which is attached to this Amendment.

Revision 2:

Page 13, “Erwin Elementary School”, item #3, bullet 2 shall now be amended to read, “Bidder should include the optional warranties and optional accessory “Locking Bar with Tamperproof Screws” as listed in “Attachment C-1 – Revised” for Bally Cooler/Freezer in unit pricing.”

All other requirements of the solicitation remain unchanged.

IX. ATTACHMENTS TO SOLICITATION - REVISED

OFFEROR'S CHECKLIST AVOID COMMON BID/PROPOSAL MISTAKES

Review this checklist prior to submitting your bid/proposal. If you fail to follow this checklist, you risk having your bid/proposal rejected.

- Do not include any of your standard contract forms!
- Unless expressly required, do not include any additional boilerplate contract clauses.
- Reread your entire bid/proposal to make sure your bid/proposal does not take exception to any of the district's mandatory requirements.
- Make sure you have properly marked all protected, confidential, or trade secret information in accordance with the instructions entitled: “**Disclosure of Your Bid/Proposal & Submitting Confidential Data**”. Do not mark your entire bid/proposal as confidential, trade secret, or protected! Do not include a legend on the cover stating that your entire response is not to be released!
- Make sure you have properly acknowledged all amendments. Instructions regarding how to acknowledge amendments are outlined in section entitled: “**Instructions to Offerors – A. General Instructions (Amendments to Solicitation)**”.
- Make sure your bid/proposal is signed by a person that is authorized to contractually bind your business.
- Make sure your bid/proposal includes the number of copies requested.
- Make sure you properly mark the outside of your envelope with the bid number, due date, and time.
- Check to ensure your bid/proposal includes everything requested!
 - Cover Page – completed and signed
 - Page Two - completed
 - Bid Schedule – completed (to include name of company in space provided)
 - Company Profile and Reference Form (if required)
 - Evidence of Liability Insurance
 - Bid Bond, Certified Check or Cashier's Check (if required)
 - Appropriate Number of Copies Requested
- If you have concerns about this solicitation, do not raise those concerns in your response! **After opening, it is too late! If this solicitation includes a prebid/proposal conference or a question & answer period, raise your questions as a part of that process!** Please see instructions under the heading “**Instructions to Offerors – A. General Instructions - Questions from Offerors**” and any provisions regarding prebid/proposal conferences.

This checklist is included only as a reminder to help offerors avoid common mistakes.
Responsiveness will be evaluated against the solicitation, **not** against this checklist.
You do **not** need to submit this checklist with your response.



Bally Refrigerated Boxes, Inc.
Morehead City, NC 28557 (800) 242-2559

Last Update: 10/12/2022
Revisor: Laura Craig
To: All Bidders

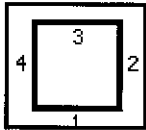
Quote No: 2744-001-R03-LC
Item No:
Job Name: Buford Middle School
Date: 10/12/2022 **PVD:** 10/3/2022
From: Laura Craig
 Swanson-Girard & Associates
 10420 Southern Loop Blvd
 Pineville, NC 28134
Phone: **Fax:** (704)521-8801

Attn:

Box Shape

Outdoor Next To Building

NSF APPROVED



Bally Prefabricated Exterior Dimensions:

23'-6 $\frac{3}{4}$ "(l*) x 8'-2 $\frac{3}{4}$ "(w*) x 8'-6"(h)
 2 Compartments 1 Tiers With Floor 4" Floor
 Ceiling: Single Span

Panel Thickness:

4 in. Exterior Vertical Used (7'-10") with 4 in. Partition, 4 in. Floor, 4 in. Ceiling

Details on Following Page(s)

NOTE: Freight shown is an estimate based on current published rates. A fuel surcharge will be added and changes continuously.

Walk-in Price:

Refrigeration Price:

Total Price (FOB Plant) (Less Refrig. Warranties):

Estimated Freight:

Optional Warranties: (not included in Total Price)

(1) 00 3/4 HP System (5 yr. Parts , 1 yr. Labor)

(1) 02 HP System (5 yr. Parts , 1 yr. Labor)

Payment terms and conditions are available upon request.

This quotation was based on information supplied to us which may or may not have been complete. Customer is responsible for reviewing this quotation for exclusions, deviations, and any improper information supplied to us.

Signature: _____

Laura Craig

Date: _____

We are not responsible for the selection or recommendation of the panel finish for any building or walk-in application.

NOTE: Quoting Bally standard specifications, sizes, and finishes.

This quotation is good through 11/26/2022

Act of 2007 (Public Law 110-140) Title III; Section 312, regarding Walk-In Coolers and Walk-In Freezers.



Bally Refrigerated Boxes, Inc.
Morehead City, NC 28557 (800) 242-2559

Last Update: 10/12/2022
Revisor: Laura Craig
To: All Bidders

Quote No: 2744-001-R03-LC
Item No:
Job Name: Buford Middle School
Date: 10/12/2022 **PVD:** 10/3/2022
From: Laura Craig
 Swanson-Girard & Associates
 10420 Southern Loop Blvd
 Pineville, NC 28134
Phone: **Fax:** (704)521-8801

Attn:

Outdoor Next To Building

NSF APPROVED

Bally Prefabricated Exterior Dimensions:

23'-6³/₄"(l*) x 8'-2³/₄"(w*) x 8'-6"(h)
 2 Compartments 1 Tiers With Floor 4" Floor
 Ceiling: Single Span

Panel Thickness:

4 in. Exterior Vertical Used (7'-10") with 4 in. Partition, 4 in. Floor, 4 in. Ceiling

Details and specifications for Quote No: 2744-001-R03-LC

Comments:

Base Finish

Vertical and Ceiling Panels: Embossed Galvalume (26 GA)

Special Finishes:

- Exterior Door - Embossed Tan
- Exterior Door Frame - Embossed Tan
- Exterior Floor - Embossed Tan
- Interior Floor - Aluminum Treadplate .125" Thick
- Wall 1 - Exterior Verticals - Embossed Tan
- Wall 2 - Exterior Verticals - Embossed Tan
- Wall 3 - Exterior Verticals - Embossed Tan
- Wall 4 - Exterior Verticals - Embossed Tan

Doors/Openings:

- Wall 2 Door 1 (1) 36" x 78" Hinged Door In a 46"
- Wall 2 Door 1 (1) Ext.Alum Diam/Tread Ramp (30-36" Door)
- Wall 2 Door 1 (1) Locking Bar (2 piece) (with Release)
- Wall 2 Door 1 (1) Strip Curtain (36" Door and Under)
- Wall 2 Door 1 (1) Super Door 36" Wide and Under, 30" High
- Wall 2 Door 1 (1) Tamperproof Screws (per door) - Non Prison
- Partition 1 Door 1 (1) 30" x 78" Hinged Door In a 46"
- Partition 1 Door 1 (1) Bally Standard Pressure Relief Port (< 400 sq/ft)
- Partition 1 Door 1 (1) Super Door 36" Wide and Under, 30" High

Accessories and Extras:



Bally Refrigerated Boxes, Inc.
Morehead City, NC 28557 (800) 242-2559

Last Update: 10/12/2022
Revisor: Laura Craig
To: All Bidders

Quote No: 2744-001-R03-LC
Item No:
Job Name: Buford Middle School
Date: 10/12/2022 **PVD:** 10/3/2022
From: Laura Craig
 Swanson-Girard & Associates
 10420 Southern Loop Blvd
 Pineville, NC 28134
Phone: **Fax:** (704)521-8801

Attn:

- (3) 48" LED KEIL 48x754-CL-N Light
 - 40° F to 100° F(Range)
- (67) L/F REB(Reinforced Exterior Bottom)'s
- (209) S/F Outdoor Membrane Roof
 40 mil standard
- (209) S/F Tapered Insul 1/8" on 12"
 (1) The loads are 26 Lbs psf live and 115 Mph RC II Wind. The customer must verify that the loads shown on this quote comply with local building codes.
- (28) WA-3 Wall Anchor
 Outside Vertical 4"
- (8) WA-4 Wall Anchor
 Outside Corner 4"

Floor Options:

- (209) S/F 1/2" Plywood Foamed in Panel

Refrigeration:

- (1) BEZA 007 H8 HS2DB (208-230/1/60) w/ smart speed
 Scroll Unit 7190 BTU
- (1) BEZA 020 L8 HS2D (208-230/1/60) w/ smart speed
 Includes defrost contactor for 1 Evap.
- (1) BLP207LE-S2D 208-230/1/60
 2 Fan 7160 BTU/h
- (1) BLP209-MA-S1D 115/1/60
 2 Fan 8700 BTU/h
- (1) Refrigeration is calculated for standard use at a box temperature of 35° F. for the cooler and -10° F. for the freezer with a condensing unit ambient of 105° F.
- (1) Time Clock 8145 (shipped loose) 115/1/60

Estimated Shipping:

Weight: 6,731.35
Destination: Lancaster, SC, 29720



Bally Refrigerated Boxes, Inc.
Morehead City, NC 28557 (800) 242-2559

Last Update: 10/12/2022
Revisor: Laura Craig
To: All Bidders

Quote No: 2744-001-R03-LC
Item No:
Job Name: Buford Middle School
Date: 10/12/2022 **PVD:** 10/3/2022
From: Laura Craig
 Swanson-Girard & Associates
 10420 Southern Loop Blvd
 Pineville, NC 28134

Attn:

Phone: **Fax:** (704)521-8801

Deviations (Alternates, Remarks, Clarifications, Etc.):

Bally Floor Panels are capable of supporting up to 800 lbs. Per Sq/Ft uniformly distributed stationary loading. Bally does not recommend the use rolling loads of heavy carts, pallet jacks or fork lifts on top of the floors. Warranty for floors subjected to this type of use would not be covered by Bally.

Exclusions (Items Not Supplied by Bally):

- | | |
|---|--|
| <input checked="" type="checkbox"/> Shelving, Racks, Interior Accessories | <input checked="" type="checkbox"/> Caulking and Sealants |
| <input type="checkbox"/> Labor on Warranties | <input type="checkbox"/> Refrigeration Systems |
| <input checked="" type="checkbox"/> Alarm Systems | <input checked="" type="checkbox"/> Refrigeration Accessories |
| <input checked="" type="checkbox"/> Supervision | <input checked="" type="checkbox"/> Closure Panel and Trim |
| <input checked="" type="checkbox"/> Tubing, Wiring for Rfg. Equipment | <input checked="" type="checkbox"/> Sleeves, Penetrations, Escutcheon Plates |
| <input checked="" type="checkbox"/> Compressor Rack | <input checked="" type="checkbox"/> Floor Insulation and Vapor Barrier |

Cancelled Orders: Cancelled unshipped standard walk-ins will be charged a 30% restocking fee plus the cost of special panels. Cancelled refrigeration systems will be charged a 30% restocking fee and the cost of any freight accrued. Buy-out items will be charged a 25% restocking fee plus any freight accrued.

Agency Ratings: Bally units comply or surpass applicable Flame Spread-25, UL, UL 723, & NSF standards in a manner conforming to ASTM E-84, and Factory Mutual standards.

Quotation Limitations: This quotation was based upon the specifications given to Bally which may possibly be incomplete. Bally is not responsible for items missing from the quotation due to incomplete or excluded items in the specifications received from the customer. The customer is responsible for reviewing the quotation for omissions or deviations from the specifications given to Bally. All portions of the quotation are subject to revision upon receipt of detailed specifications or if changes are made following the delivery of the original quotation. Quotations expire on the date indicated on Page 1 of the Quote. Approval drawings must be returned within 60 days of receipt of the purchase order. The order must ship within the agreed upon time frames or current lead times, but no later than 7 months. Any deviations to this quotation (dimensions or specification changes) will require updated pricing.

Panel Construction: Bally Panels are manufactured with environmentally friendly HFC 245-FA polyurethane foam. This polyurethane foam offers the highest thermal insulation value and the most energy efficiency per cubic inch in comparison to similar foams. It has a zero Ozone Depletion Potential (ODP) and a low Global Warming Potential (GWP). It is not considered a Volatile Organic Compound (VOC) in the US. Standard 4" Bally panels meet the 2009 Federal Energy Standards.

Refrigerants: Unless otherwise specified, refrigeration systems are quoted with environmentally friendly HFO R448A refrigerant. It has a Low Global Warming Potential (GWP) and the EPA lists it as an acceptable substitute for R404A and other high GWP refrigerants.

Automatic Door Closers: Bally includes automatic door closers and spring loaded hinges on all doors 42" wide and smaller as a standard feature with no additional charge that meet the 2009 Federal Energy Standards.

Motors: Bally units are quoted with EC and PSC motors in compliance with federal energy standards, for increased energy savings.

Lighting: Bally units are quoted with lighting in compliance with federal Energy Standards for increased energy savings.

Optional Features: Bally offers additional optional energy-saving features such as Walk-In Alarm & Light Management systems that comply or surpass the 2009 Federal energy regulations.



Bally Refrigerated Boxes, Inc.
Morehead City, NC 28557 (800) 242-2559

Last Update: 10/12/2022
Revisor: Laura Craig
To: All Bidders

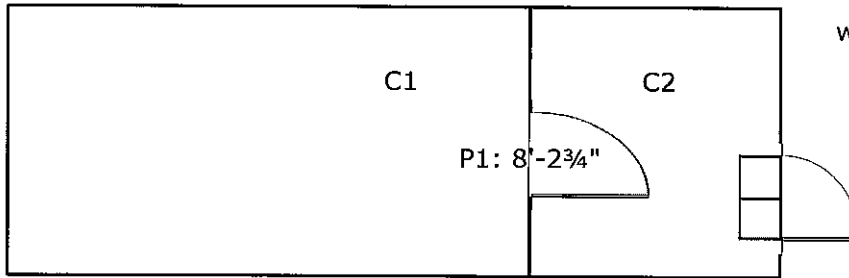
Quote No: 2744-001-R03-LC
Item No:
Job Name: Buford Middle School
Date: 10/12/2022 *PVD:* 10/3/2022
From: Laura Craig
 Swanson-Girard & Associates
 10420 Southern Loop Blvd
 Pineville, NC 28134
Phone: *Fax:* (704)521-8801

Attn:

This drawing is for reference purposes only and it not intended to be a formal scale model.

w3: 23'-6¾"

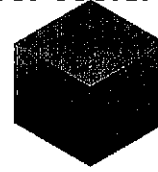
w4: 8'-2¾"



w1: 23'-6¾"

DOOR 1: Wall2 36" x 78" Hinged Door In a 46" Centered Hinge:Left Orientaion:Regular
 PARTITION 1: Wall 1 Offset:7'-8" from wall 2 Partition Length:8'-2¾"
 PARTITION DOOR 1: Partition1 30" x 78" Hinged Door In a 46" Offset:4'-0" from wall 2 Hinge:Left

Buford Middle School Cooler LOAD CALCULATION



| COOLING REQUIREMENTS | | | | | | | | | |
|---|---|--------------------|---|---------------------------|-------------------|------------------------|----------------|----------------|------------------------|
| Application | General Walk-in Cooler | | | Location | Outdoor Warm | | | | |
| Internal Temp | 35 °F | Internal RH | 84% | External Temp | 95 °F | External RH | 55% | | |
| Wall Load | 859 BTUH | Infiltration | 2,140 BTUH | Products | 367 BTUH | Miscellaneous | 639 BTUH | | |
| | 21% | | 53% | | 9% | | 16% | | |
| WALL, FLOOR AND CEILING LOADS | | | | | | | | | |
| Section | Construction | Thickness (in) | K Factor | R Value | Ext Temp (°F) | Dim 1 (ft) | Dim 2 (ft) | Area (ft²) | Load (BTUH) |
| Rear | Urethane, Standard panels | 4.000 | 0.14 | 28.11 | 35.0 | 8.20 | 8.50 | 50 | |
| | Door | | | 15.00 | 35.0 | 3.00 | 6.50 | 20 | |
| Right End | Urethane, Standard panels | 4.000 | 0.14 | 28.11 | 99.0 | 8.20 | 8.50 | 70 | 159 |
| Front | Urethane, Standard panels | 4.000 | 0.14 | 28.11 | 99.0 | 8.20 | 8.50 | 50 | 114 |
| | Door | | | 15.00 | 99.0 | 3.00 | 6.50 | 20 | 83 |
| Left End | Urethane, Standard panels | 4.000 | 0.14 | 28.11 | 99.0 | 8.20 | 8.50 | 70 | 159 |
| Floor | Insulated Floor - Panels On Concrete On Grade | 10.000 | 0.31 | 32.32 | | 8.20 | 8.20 | 67 | 179 |
| Ceiling | Urethane, Standard panels | 4.000 | 0.14 | 28.11 | 104.0 | 8.20 | 8.20 | 67 | 165 |
| VOLUME (ft³) | | 572 | TOTAL WALL, FLOOR AND CEILING LOAD | | | | | 859 | |
| INFILTRATION LOAD : ESTIMATED BY VOLUME AND USAGE | | | | | | | | | |
| Box Usage | Internal Temp (°F) | Internal Rh (%) | External Temp (°F) | External Rh (%) | Ventilation (CFM) | Load (BTUH) | | | |
| Heavy | 35 | 84 | 95 | 55 | | 2,140 | | | |
| PRODUCT LOADS | | | | | | | | | |
| Type | | | Weight (lb) | Enter Temp (°F) | Final Temp (°F) | Pull Down (hrs) | Load (BTUH) | | |
| General, Mixed Products, Approximation | | | 1,143 | 45.0 | 35.0 | 24 | 367 | | |
| TOTAL PRODUCT WEIGHT (lbs) | | | 1,143 | TOTAL PRODUCT LOAD | | | 367 | | |
| MISCELLANEOUS LOADS | | | | | | | | | |
| Quantity | Description | | | Power | Units | Run Time (hrs) | Load (BTUH) | | |
| | LIGHTING | | | 1 | W/ft² | 24 | 229 | | |
| 2 | EVAPORATOR MOTORS | | | 60 | W | 24 | 409 | | |
| TOTAL MISCELLANEOUS LOAD | | | | | | | 639 | | |
| SYSTEM DESIGN SUMMARY | | | | | | | | | |
| Design Load (BTUH) | Safety Factor | Safety Load (BTUH) | Run Time (Hours) | Capacity Required (BTUH) | Refrigerant | Line Frequency (Hz) | Design TD (°F) | Line Loss (°F) | Condenser Ambient (°F) |
| 4,004 | 10% | 4,405 | 16 | 6,607 | R448A | 60 | 10.1 | 0.5 | 105 |
| SYSTEM EQUIPMENT SELECTION | | | | | | | | | |
| Equipment Type | Quantity | Model Number | Description | | | Voltage | Rating (BTUH) | | |
| Condensing Unit | 1 | BEZA007H8-HS2D | EZ-Line Scroll Condensing Units-Air | | | 208-230/1/60 | 6,591 | | |
| Evaporator | 1 | BLP209MA-S1D | Low Profile Evaporator | | | 115/1/60 | 8,843 | | |
| SYSTEM BALANCE | | | | | | | | | |
| Fan Load (BTUH) | Suction Temp (°F) | | | Evaporator TD (°F) | | System Capacity (BTUH) | | | |
| | 26.6 | | | 7.9 | | 6,892 | | | |



**NATIONAL REFRIGERATION AND
AIR CONDITIONING CANADA CORP.**
159 ROY BLVD, PO BOX 2020
BRANTFORD, ON
CANADA N3T 5Y6

BEZA007H8-HS2D

**EZ-LINE SCROLL
CONDENSING UNITS-AIR**

PURCHASER :

SUBMITTED BY : **Laura Craig**

PROJECT : **Buford Middle School SC**

DATE : **11 Oct 2022**

ORDER # : **06338.47502.00469-A00**

ITEM # : **1**

QUOTE # : **Q10EULCA-A**

ID # :

PURCHASER'S PO # :

TAGGING :

MODEL FEATURES

- 3/8" Tubing coil construction (reduces refrigerant operating charge)
- Anti-short cycle time delay
- Adjustable pressure fan cycling control on 2 fan models only
- Copper tubing secured with cushion clamps
- Crankcase heater
- Discharge line temperature sensor
- Fan Guard
- Fan motors are inherently protected with internal overloads
- Pre-formed piping
- Receiver with fusible plug and liquid shut off valve
- Suction Service valve
- Adjustable flooded head pressure control (unless otherwise indicated)
- Units are shipped with Helium holding charge
- Weatherproof electrical control box with compressor contactor and fused control circuit
- Welded hermetic Scroll compressor
- Adjustable low pressure control with flex hose / fixed high pressure control
- ECM with SmartSpeed Technology
- High efficiency enhanced copper tube and aluminium fin coil design
- Compatible with Low GWP Refrigerants
- Outdoor weatherproof pre-painted steel cabinet

MODEL OPTIONS (* = Shipped Loose)

- OPTION PACKAGES**
- Small B (Good@Warm/Moderate)
 - Small N (Better@Warm/Moderate)
 - Small P (Best@Warm/Moderate)
 - Small D (Good@Moderate/Cold)
 - Small J (Better@Moderate/Cold)
 - Small Q (Best@Moderate/Cold)
 - Small K
 - Small H
 - 115V Control Circuit**
 - ADJUSTABLE PRESSURE CONTROLS**
 - Johnson Dual with flex hose
 - Separate High/Low
 - Separate High/Low: MAN Reset on HP
 - BALL VALVE**
 - *Liquid Line
 - Liquid Line
 - *Suction Line
 - Suction Line
 - CAPACITY CONTROL - HOT GAS BYPASS**
 - To Inlet of Evaporator
 - To Suction Line
 - Compressor Circuit Breaker**
 - CONDENSING UNIT PRISON PACKAGE**
 - Tamper Proof Screws
 - Crankcase Pressure Regulator**
 - CONTACTORS**
 - 30A Contactor
 - 40A Contactor
 - 60A Contactor
- DEFROST KIT (USE W/KE2 EVAP EFF)**
- Up to 30A per Evap
 - 35A to 50A per Evap
 - Over 50A per Evap
 - Discharge Air Hood**
 - Discharge Line Check Valve**
 - DISCONNECT SWITCH**
 - Fused
 - Non-Fused
 - EC FAN MOTORS + SPEED CONTROLLER**
 - All Motors Variable Speed - 230V Units
 - ELECTRONIC PRESSURE CONTROL**
 - Low Pressure Control
 - High Pressure Control
 - Export Crating**
 - EXTENDED 4-YEAR COMPRESSOR WARRANTY**
 - Copeland
 - Extended Leg Kit**
 - COIL COATING**
 - E-Coat
 - FIN MATERIAL**
 - Gold Coat Fins
 - Copper Fins
 - Hail Guard for Condenser**
 - Heated and Insulated Receiver**
 - HOUSING MATERIAL**
 - Stainless Steel
 - Insulated Suction Line**
- LIQUID LINE FILTER + SIGHT GLASS**
- Sealed
 - Replaceable
 - Liquid Line Lock-Out Relay**
 - LIQUID LINE SOLENOID VALVE**
 - *Standard 230V Coil
 - *Standard 115V Coil
 - OIL SEPARATOR**
 - With Oil Filter and Solenoid
 - One Time Pump Down**
 - Oversized Receiver**
 - Pump Down Toggle Switch**
 - QuickVac Valves**
 - Receiver Inlet Ball Valve**
 - Single Point Electrical SUCTION ACCUMULATOR**
 - With Heat Exchanger
 - Without Heat Exchanger
 - SUCTION FILTER**
 - Sealed Type
 - Replaceable Core
 - TIME CLOCK**
 - Paragon 8145 Style
 - *230V Paragon 8145 Style
 - *115V Paragon 8145 Style
 - Wind Guard**
 - Less Flooding Valve(s)**

| | | | | | | | | | | |
|--------------|--------|--------------------|-------------|--------------|--------------|---------------|-----------|-------|------|------|
| VOLTAGE | | SYSTEM REFRIGERANT | | RATING | SUCTION TEMP | AMBIENT TEMP | CAPACITY | | | |
| 208-230/1/60 | | R448A | | 0.7Hp | 26.6 °F | 105 °F | 6892 BTUH | | | |
| FANS | | | COMPRESSOR | | | CIRCUIT TOTAL | | | | |
| QTY | POWER | FLA/FAN | TYPE | QTY | RLA | LRA | AMPS | WATTS | MCA† | MOP‡ |
| 1 | 100W | 1 | ZB06KAE-PFV | 1 | 6 | 36 | 7 | | 8.5 | 15 |
| LIQUID | 3/8 in | SOUND | - | REC CAPACITY | 5 lb | | APPROVALS | | | |
| SUCTION | 5/8 in | WEIGHT | 183 lb | REF CHARGE | 3 lb | | | | | |

NOTES:

† MCA.. Minimum Circuit Ampacity, ‡ MOP.. Maximum Overcurrent Protection
MCA & MOP are for the condensing unit ONLY. Single point connections WILL show different on dataplate.
AWEF = 7.6 for R404A/R507/R407A/R448A/R449A. Non-compliant DOE NRCAN model for all other refrigerants



APPROVED BY :

DATE :

Approval of this drawing signifies that the equipment is acceptable under the provision of the job specifications. Any change made hereon by any person whomsoever subject to acceptance by NATIONAL REFRIGERATION at its home office.



**NATIONAL REFRIGERATION AND
AIR CONDITIONING CANADA CORP.**

159 ROY BLVD, PO BOX 2020
BRANTFORD, ON
CANADA N3T 5Y6

BEZA007H8-HS2D

**EZ-LINE SCROLL
CONDENSING UNITS-AIR**

PURCHASER :

SUBMITTED BY : **Laura Craig**

PROJECT : **Buford Middle School SC**

DATE : **11 Oct 2022**

ORDER # : **06338.47502.00469-A00**

ITEM # : **1**

QUOTE # : **Q10EULCA-A**

ID # :

PURCHASER'S PO # :

TAGGING :

SELECTED OPTION DESCRIPTIONS

Liquid Line Filter + Sight Glass - Sealed

Sporlan C Series with ODF solder connections and Sporlan SA moisture indicator factory installed in liquid line.

Option Packages - Small B (Good@Warm/Moderate)

LLFD+SG

Time Clock - 115V Paragon 8145 Style

115V Defrost timer is time initiated, temperature or pressure terminated with a timed failsafe. Timer is shipped loose in a box for field installation.

Approval of this drawing signifies that the equipment is acceptable under the provision of the job specifications. Any change made hereon by any person whomsoever subject to acceptance by NATIONAL REFRIGERATION at its home office.



**NATIONAL REFRIGERATION AND
AIR CONDITIONING CANADA CORP.**

159 ROY BLVD, PO BOX 2020
BRANTFORD, ON
CANADA N3T 5Y6

Order Item No: 1
BEZA007H8-HS2D

**EZ-LINE SCROLL
CONDENSING UNITS-AIR**

DATE : 11 Oct 2022

PURCHASER :

PROJECT : **Buford Middle School, SC**

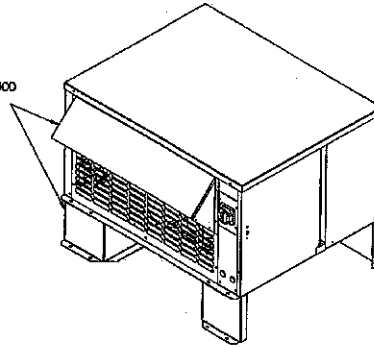
SUBMITTED BY : **Laura Craig**

NATIONAL REFRIGERATION will furnish equipment in accordance with this drawing and specifications, and subject to its published warranty. Approval of this drawing signifies that the equipment is acceptable under the provision of the job specifications. Any change made hereon by any person whomsoever subject to acceptance by NATIONAL REFRIGERATION at its home office.

Dimensions shown are for standard unit less options.

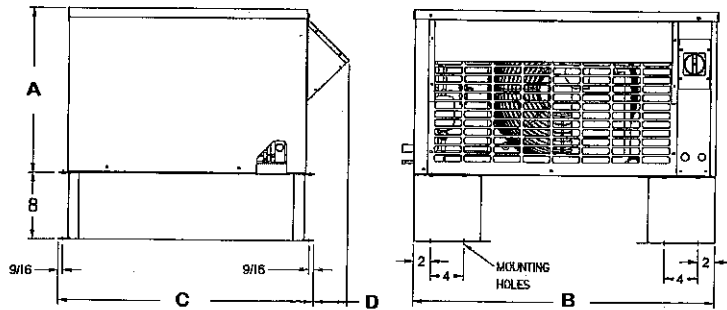
| DIMENSIONS | |
|-------------|-----------|
| DIMENSION A | 19 3/8 in |
| DIMENSION B | 24 7/8 in |
| DIMENSION C | 30 3/8 in |
| DIMENSION D | 4 in |
| DIMENSION E | |
| DIMENSION F | |
| DIMENSION G | 0 in |
| DIMENSION H | |

OPTIONAL AIR
DISCHARGE HOOD
AND LEGS



| CONNECTIONS | |
|--------------------|--------|
| LIQUID | 3/8 in |
| SUCTION | 5/8 in |
| DRAIN | |
| WATER | |
| DISCHARGE | |
| PAN LOOP | |
| HOT GAS SIDE PORT | |
| HOT GAS INLET | |
| HOT GAS OUTLET | |
| OTHER | |
| SHIPPING WEIGHT | 183 lb |
| REFRIGERANT CHARGE | 3 lb |
| RECEIVER CAPACITY | 5 lb |

| APPROVALS | | | |
|-----------|--|--|--|
| | | | |
| | | | |



NOTES:

AWEF = 7.6 for R404A/R507/R407A/R448A/R449A. Non-compliant DOE NRCAN model for all other refrigerants



**NATIONAL REFRIGERATION AND
AIR CONDITIONING CANADA CORP.**

159 ROY BLVD, PO BOX 2020
BRANTFORD, ON
CANADA N3T 5Y6

BLP209MA-S1D

**LOW PROFILE
EVAPORATOR**

PURCHASER :

SUBMITTED BY : **Laura Craig**

PROJECT : **Buford Middle School SC**

DATE : **11 Oct 2022**

ORDER # : **06338.47502.00469-A00**

ITEM # : **3**

QUOTE # : **Q10EULCA-A**

ID # :

PURCHASER'S PO # :

TAGGING :

MODEL FEATURES

- 3/8" Tubing coil construction (reduces refrigerant operating charge)
- Factory installed solenoid valve wire harness
- Heavy gauge textured aluminum cabinet construction resists scratches/corrosion
- Spacious piping end compartment allows for easy assembly

- Hinged drain pan with central universal drain connection (3/4" drain)
- Front access to spacious electrical and header compartments
- Schrader connection on suction header
- Attractive and durable high density polyethylene fan guards
- Ultra efficient Electronically Commutated Motor (ECM)

- ECM with SmartSpeed Technology
- High efficiency enhanced copper tube and aluminium fin coil design
- 6 FPI
- AWEF = 9.0
- Unit Cooler is AWEF/NRCAN compliant with R404A/R507/R448A/R449A/R407A/R407C

MODEL OPTIONS (* = Shipped Loose)

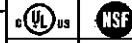
- PRE-ASSEMBLED EVAP**
- SmartVap+ with EEV + Solvlv
- Sporlan TXV, LLSV,T-stat
- KE2 Evap Efficiency w/Sporlan EEV
- *KE2 Evap Efficiency w/Sporlan EEV
- Aux Sideport Connector**
- CABINET FINISH**
- Painted White
- Stainless Steel
- SENSORS FOR CPC BOARDS**
- Coil Temp Sensor
- Return Air Temp Sensor
- DEMAND DEFROST ELECTRONIC CONTROLLER**
- KE2 Therm Evaporator Efficiency
- *KE2 Therm Evaporator Efficiency
- Dual Circuit**
- ELECTRONIC CONTROLLER**
- KE2 Temp+Defrost
- SmartVap+ Control Board and Display

- EXPANSION VALVE**
- 1 Sporlan TXV
- Sporlan EEV
- EEV for SmartVap+
- Evaporator Disconnect Switch**
- EVAPORATOR PRISON PACKAGE**
- Tamper Proof Screws
- Export Crating**
- COIL COATING**
- E-Coat
- FIN MATERIAL**
- Gold Coat Fins
- Copper Fins
- Insulated Drain Pan**
- KE2 THERM**
- *CAT5e Shielded Cable - 50ft w/connectors
- 40' Leads on Sensors + Transducers
- Ethernet Adapter Kit
- *Remote Combo Display
- *Liquid / Suction Heat Exchanger

- LIQUID LINE SOLENOID VALVE**
- 1 Sporlan
- Dual Voltage Coil 120-230V Field Wired**
- Nitrogen Charged and Sealed ROOM THERMOSTATS**
- 1 Mechanical
- *Mechanical
- *Johnson A19ABC
- *Johnson A421ABC-02C
- Johnson A421ABC-02
- Wire Fan Guards**
- REMOTE DEFROST PANEL**
- *230V Control
- *115V Control
- INSTALLATION REQUIREMENTS**
- 1 Minimum slope of 1" per foot on all drain lines
- 1 P-trap per evap required outside of box

| | | | | | | | |
|-------------|--------|--------------------|---------|----------|--------------|---------------|-----------|
| VOLTAGE | | SYSTEM REFRIGERANT | | AIR FLOW | EVAP. TEMP | BOX TEMP | CAPACITY |
| 115/1/60 | | R448A | | 1500 CFM | 27.1 °F | 35 °F | 6892 BTUH |
| FANS | | | HEATERS | | | CIRCUIT TOTAL | |
| QTY | POWER | FLA/FAN | TYPE | QTY | AMPS | AMPS | WATTS |
| 2 | 0.07HP | 1 | | | | 2 | 120 |
| DISTRIBUTOR | | 3/8 in | SOUND | - | REC CAPACITY | APPROVALS | |
| SUCTION | | 7/8 in | WEIGHT | 70 lb | REF CHARGE | 1 lb | |

NOTES:
† MCA.. Minimum Circuit Ampacity, ‡ MOP.. Maximum Overcurrent Protection



APPROVED BY :

DATE :

Approval of this drawing signifies that the equipment is acceptable under the provision of the job specifications. Any change made hereon by any person whomsoever subject to acceptance by NATIONAL REFRIGERATION at its home office.



**NATIONAL REFRIGERATION AND
AIR CONDITIONING CANADA CORP.**
159 ROY BLVD, PO BOX 2020
BRANTFORD, ON
CANADA N3T 5Y6

BLP209MA-S1D

**LOW PROFILE
EVAPORATOR**

PURCHASER :

SUBMITTED BY : **Laura Craig**

PROJECT : **Buford Middle School SC**

DATE : **11 Oct 2022**

ORDER # : **06338.47502.00469-A00**

ITEM # : **3**

QUOTE # : **Q10EULCA-A**

ID # :

PURCHASER'S PO # :

TAGGING :

SELECTED OPTION DESCRIPTIONS

Expansion Valve - Sporlan TXV

May be Type EBQ, S, SBF, O externally equalized thermostatic expansion valve. Valves are selected using the specified capacity and operating conditions of the refrigeration system as specified on the accompanying Certified Prints.

Installation Requirements - Minimum slope of 1" per foot on all drain lines

Bally recommends a minimum slope of 1" per foot on all drain lines.

Installation Requirements - P-trap per evap required outside of box

All evaporators must be trapped individually outside of the box to prevent vapor migration back to coil surface.

Liquid Line Solenoid Valve - Sporlan

Sporlan solenoid coil voltage matches evaporator voltage except when evaporator is 460V, then 230V solenoid coil is used. Exceptions must be clearly explained in the Notes of the option.

Pre-assembled Evap - Sporlan TXV, LLSV,T-stat

Option Package consists of factory installed Sporlan balance port TXV, Sporlan liquid line solenoid valve and Johnson Controls A19 Room thermostat.

Room Thermostats - Mechanical

Single stage temperature control with Single-Pole, Double-Throw (SPDT) mechanical switch. May be Johnson A19 or equal, Operating range of -30°F to +100°F. Adjustable differential of 3°F to 12°F. Factory installed and wired.

Approval of this drawing signifies that the equipment is acceptable under the provision of the job specifications. Any change made hereon by any person whomsoever subject to acceptance by NATIONAL REFRIGERATION at its home office.



NATIONAL REFRIGERATION AND AIR CONDITIONING CANADA CORP.

159 ROY BLVD, PO BOX 2020
BRANTFORD, ON
CANADA N3T 5Y6

Order Item No: 3
BLP209MA-S1D
LOW PROFILE EVAPORATOR

NATIONAL REFRIGERATION will furnish equipment in accordance with this drawing and specifications, and subject to its published warranty. Approval of this drawing signifies that the equipment is acceptable under the provision of the job specifications. Any change made hereon by any person whomsoever subject to acceptance by NATIONAL REFRIGERATION at its home office.

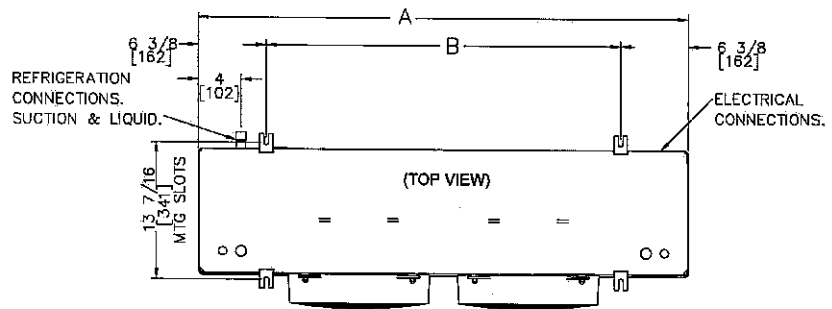
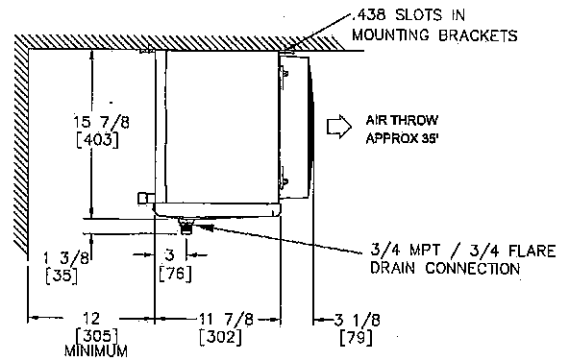
DATE : 11 Oct 2022
PURCHASER :
PROJECT : **Buford Middle School SC**
SUBMITTED BY : **Laura Craig**

Dimensions shown are for standard unit less options.

| DIMENSIONS | |
|-------------|-----------|
| DIMENSION A | 46 1/4 in |
| DIMENSION B | 33 1/4 in |
| DIMENSION C | |
| DIMENSION D | |
| DIMENSION E | |
| DIMENSION F | |
| DIMENSION G | 0 in |
| DIMENSION H | |

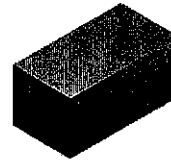
| CONNECTIONS | |
|--------------------|--------|
| DISTRIBUTOR | 3/8 in |
| SUCTION | 7/8 in |
| DRAIN | 3/4 in |
| WATER | |
| DISCHARGE | |
| PAN LOOP | |
| HOT GAS SIDE PORT | |
| HOT GAS INLET | |
| HOT GAS OUTLET | |
| OTHER | |
| SHIPPING WEIGHT | 70 lb |
| REFRIGERANT CHARGE | 1 lb |
| RECEIVER CAPACITY | |

| APPROVALS | | | |
|-----------|--|--|--|
| | | | |
| | | | |



NOTES:

Freezer LOAD CALCULATION



| COOLING REQUIREMENTS | | | | | | | | | |
|---|---|--------------------|-------------------------------------|--------------------------|------------------------|---------------------|----------------|----------------|------------------------|
| Application | General Walk-in Freezer | | | Location | Outdoor Warm | | | | |
| Internal Temp | -10 °F | Internal RH | 95% | External Temp | 95 °F | External RH | 55% | | |
| Wall Load | 2,533 BTUH | Infiltration | 640 BTUH | Products | 196 BTUH | Miscellaneous | 814 BTUH | | |
| | 61% | | 15% | | 5% | | 19% | | |
| WALL, FLOOR AND CEILING LOADS | | | | | | | | | |
| Section | Construction | Thickness (in) | K Factor | R Value | Ext Temp (°F) | Dim 1 (ft) | Dim 2 (ft) | Area (ft²) | Load (BTUH) |
| Rear | Urethane, Standard panels | 4.000 | 0.14 | 28.11 | 99.0 | 15.50 | 8.50 | 132 | 511 |
| Right End | Urethane, Standard panels | 4.000 | 0.14 | 28.11 | 45.0 | 8.30 | 8.50 | 51 | 100 |
| | Door | | | 15.00 | 45.0 | 3.00 | 6.50 | 20 | 71 |
| Front | Urethane, Standard panels | 4.000 | 0.14 | 28.11 | 99.0 | 15.50 | 8.50 | 132 | 511 |
| Left End | Urethane, Standard panels | 4.000 | 0.14 | 28.11 | 99.0 | 8.30 | 8.50 | 71 | 274 |
| Floor | Insulated Floor - Panels On Concrete On Grade | 10.000 | 0.31 | 32.32 | | 15.50 | 8.30 | 129 | 546 |
| Ceiling | Urethane, Standard panels | 4.000 | 0.14 | 28.11 | 104.0 | 15.50 | 8.30 | 129 | 522 |
| VOLUME (ft³) | | 1,094 | TOTAL WALL, FLOOR AND CEILING LOAD | | | | 2,533 | | |
| INFILTRATION LOAD : ESTIMATED BY DOORS AND OPENINGS | | | | | | | | | |
| Quantity | Door or Opening Type | Height (in) | Width (in) | External Temp (°F) | External Rh (%) | Open Time (hrs) | Curtains | Load (BTUH) | |
| 1 | Door | 78.00 | 36.00 | 45.0 | 55.0 | 0.18 | None | 640 | |
| TOTAL INFILTRATION LOAD ESTIMATED BY DOORS AND OPENINGS | | | | | | | | 640 | |
| PRODUCT LOADS | | | | | | | | | |
| Type | Weight (lb) | Enter Temp (°F) | Final Temp (°F) | Pull Down (hrs) | Load (BTUH) | | | | |
| General, Mixed Products, Approximation | 1,094 | 0.0 | -10.0 | 24 | 196 | | | | |
| TOTAL PRODUCT WEIGHT (lbs) | 1,094 | TOTAL PRODUCT LOAD | | | 196 | | | | |
| MISCELLANEOUS LOADS | | | | | | | | | |
| Quantity | Description | Power | Units | Run Time (hrs) | Load (BTUH) | | | | |
| 2 | LIGHTING | 1 | W/ft² | 24 | 439 | | | | |
| | EVAPORATOR MOTORS | 60 | W | 22 | 375 | | | | |
| TOTAL MISCELLANEOUS LOAD | | | | | 814 | | | | |
| SYSTEM DESIGN SUMMARY | | | | | | | | | |
| Design Load (BTUH) | Safety Factor | Safety Load (BTUH) | Run Time (Hours) | Capacity Required (BTUH) | Refrigerant | Line Frequency (Hz) | Design TD (°F) | Line Loss (°F) | Condenser Ambient (°F) |
| 4,184 | 10% | 4,602 | 18 | 6,136 | R448A | 60 | 10 | 0.5 | 105 |
| SYSTEM EQUIPMENT SELECTION | | | | | | | | | |
| Equipment Type | Quantity | Model Number | Description | | | Voltage | Rating (BTUH) | | |
| Condensing Unit | 1 | BEZA020L8-HS2D | EZ-Line Scroll Condensing Units-Air | | | 208-230/1/60 | 6,384 | | |
| Evaporator | 1 | BLP207LE-S2D | Low Profile Evaporator | | | 208-230/1/60 | 7,189 | | |
| SYSTEM BALANCE | | | | | | | | | |
| Fan Load (BTUH) | Suction Temp (°F) | | Evaporator TD (°F) | | System Capacity (BTUH) | | | | |
| | -19.5 | | 9 | | 6,516 | | | | |



NATIONAL REFRIGERATION AND AIR CONDITIONING CANADA CORP.

159 ROY BLVD, PO BOX 2020
BRANTFORD, ON
CANADA N3T 5Y6

BEZA020L8-HS2D

**EZ-LINE SCROLL
CONDENSING UNITS-AIR**

PURCHASER :

SUBMITTED BY : **Laura Craig**

PROJECT : **Buford Middle School SC**

DATE : **11 Oct 2022**

ORDER # : **06338.47502.00469-A00**

ITEM # : **4**

QUOTE # : **Q10EULCA-A**

ID # :

PURCHASER'S PO # :

TAGGING :

MODEL FEATURES

- 3/8" Tubing coil construction (reduces refrigerant operating charge)
- Anti-short cycle time delay
- Adjustable pressure fan cycling control on 2 fan models only
- Copper tubing secured with cushion clamps
- Crankcase heater
- Fan Guard

- Fan motors are inherently protected with internal overloads
- Pre-formed piping
- Receiver with fusible plug and liquid shut off valve
- Suction Service valve
- Adjustable flooded head pressure control (unless otherwise indicated)
- Units are shipped with Helium holding charge
- Weatherproof electrical control box with compressor contactor and fused control circuit

- Welded hermetic Scroll compressor
- Adjustable low pressure control with flex hose / fixed high pressure control
- ECM with SmartSpeed Technology
- High efficiency enhanced copper tube and aluminium fin coil design
- Compatible with Low GWP Refrigerants
- Outdoor weatherproof pre-painted steel cabinet

MODEL OPTIONS (* = Shipped Loose)

OPTION PACKAGES

- Small B (Good@Warm/Moderate)
- Small N (Better@Warm/Moderate)
- Small P (Best@Warm/Moderate)
- Small D (Good@Moderate/Cold)
- Small J (Better@Moderate/Cold)
- Small Q (Best@Moderate/Cold)
- Small K
- Small H

ELECTRIC DEFROST KIT

- DFK-02

115V Control Circuit

- Johnson Dual with flex hose
- Separate High/Low
- Separate High/Low: MAN Reset on HP

BALL VALVE

- *Liquid Line
- Liquid Line
- *Suction Line
- Suction Line

CAPACITY CONTROL - HOT GAS BYPASS

- To Inlet of Evaporator
- To Suction Line

Compressor Circuit Breaker

CONDENSING UNIT PRISON PACKAGE

- Tamper Proof Screws

Crankcase Pressure Regulator

CONTACTORS

- 30A Contactor
- 40A Contactor
- 60A Contactor

DEFROST KIT (USE W/KE2 EVAP EFF)

- Up to 30A per Evap
- 35A to 50A per Evap
- Over 50A per Evap

Discharge Air Hood

- Discharge Line Check Valve
- Discharge Line Temperature Sensor

DISCONNECT SWITCH

- Fused
- Non-Fused

EC FAN MOTORS + SPEED CONTROLLER

- All Motors Variable Speed - 230V Units

ELECTRONIC PRESSURE CONTROL

- Low Pressure Control
- High Pressure Control

Export Crating

EXTENDED 4-YEAR COMPRESSOR WARRANTY

- Copeland

Extended Leg Kit

COIL COATING

- E-Coat

FIN MATERIAL

- Gold Coat Fins
- Copper Fins

Hail Guard for Condenser

- Heated and Insulated Receiver

HOUSING MATERIAL

- Stainless Steel

Insulated Suction Line

LIQUID LINE FILTER + SIGHT GLASS

- Sealed
- Replaceable

Liquid Line Lock-Out Relay

LIQUID LINE SOLENOID VALVE

- *Standard 230V Coil
- *Standard 115V Coil

OIL SEPARATOR

- With Oil Filter and Solenoid

One Time Pump Down

Oversized Receiver

Pump Down Toggle Switch

QuickVac Valves

Receiver Inlet Ball Valve

Single Point Electrical

Sub Cooling Circuit

SUCTION ACCUMULATOR

- With Heat Exchanger
- Without Heat Exchanger

SUCTION FILTER

- Sealed Type
- Replaceable Core

TIME CLOCK

- Paragon 8145 Style
- *230V Paragon 8145 Style
- *115V Paragon 8145 Style

Wind Guard

- Less Flooding Valve(s)

| | | | | | | | | | | |
|--------------|--------|--------------------|-------------|--------------|--------------|---------------|-----------|-------|------|------|
| VOLTAGE | | SYSTEM REFRIGERANT | | RATING | SUCTION TEMP | AMBIENT TEMP | CAPACITY | | | |
| 208-230/1/60 | | R448A | | 2Hp | -19.5 °F | 105 °F | 6516 BTUH | | | |
| FANS | | | COMPRESSOR | | | CIRCUIT TOTAL | | | | |
| QTY | POWER | FLA/FAN | TYPE | QTY | RLA | LRA | AMPS | WATTS | MCA† | MOP‡ |
| 1 | 100W | 1 | ZF07KAE-PFV | 1 | 13.9 | 75 | 14.9 | | 18.4 | 30 |
| LIQUID | 3/8 in | SOUND | - | REC CAPACITY | 11 lb | | APPROVALS | | | |
| SUCTION | 7/8 in | WEIGHT | 315 lb | REF CHARGE | 4 lb | | | | | |

NOTES:

† MCA.. Minimum Circuit Ampacity, ‡ MOP.. Maximum Overcurrent Protection
MCA & MOP are for the condensing unit ONLY. Single point connections WILL show different on dataplate.
AWEF = 3.1 for R404A/R507/ AWEF = 3.08 for R407A/R448A/R449A. Non-compliant DOE NRCAN model for all other refrigerants.



APPROVED BY :

DATE :

Approval of this drawing signifies that the equipment is acceptable under the provision of the job specifications. Any change made hereon by any person whomsoever subject to acceptance by NATIONAL REFRIGERATION at its home office.



**NATIONAL REFRIGERATION AND
AIR CONDITIONING CANADA CORP.**
159 ROY BLVD, PO BOX 2020
BRANTFORD, ON
CANADA N3T 5Y6

BEZA020L8-HS2D
EZ-LINE SCROLL
CONDENSING UNITS-AIR

PURCHASER :

SUBMITTED BY : **Laura Craig**

PROJECT : **Buford Middle School SC**

DATE : **11 Oct 2022**

ORDER # : **06338.47502.00469-A00**

ITEM # : **4**

QUOTE # : **Q10EULCA-A**

ID # :

PURCHASER'S PO # :

TAGGING :

SELECTED OPTION DESCRIPTIONS

Electric Defrost Kit - DFK-02

Electric Defrost Kit includes:

Mechanical Time Clock:

Time initiated temperature terminated with a timed failsafe.

Contactors:

Three pole definite purpose, 230V or 115V coil as defined by
the control circuit voltage

HtrCont1x 40A

Fuse Blocks:

1x 30A (2P) Class CC

Liquid Line Filter + Sight Glass - Sealed

Sporlan C Series with ODF solder connections and Sporlan SA
moisture indicator factory installed in liquid line.

Option Packages - Small B (Good@Warm/Moderate)

LLFD+SG

Approval of this drawing signifies that the equipment is acceptable under the provision of the job specifications. Any change made hereon by any person whomsoever subject to acceptance by NATIONAL REFRIGERATION at its home office.



NATIONAL REFRIGERATION AND AIR CONDITIONING CANADA CORP.

159 ROY BLVD, PO BOX 2020
BRANTFORD, ON
CANADA N3T 5Y6

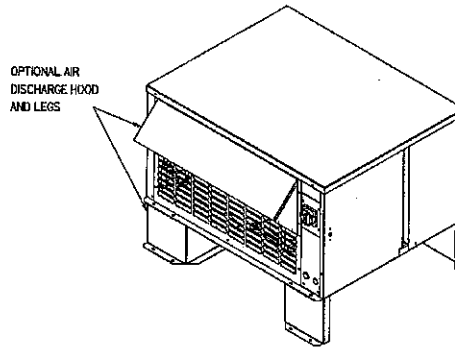
Order Item No: 4
BEZA020L8-HS2D
EZ-LINE SCROLL
CONDENSING UNITS-AIR

NATIONAL REFRIGERATION will furnish equipment in accordance with this drawing and specifications, and subject to its published warranty. Approval of this drawing signifies that the equipment is acceptable under the provision of the job specifications. Any change made hereon by any person whomsoever subject to acceptance by NATIONAL REFRIGERATION at its home office.

DATE : 11 Oct 2022
PURCHASER :
PROJECT : **Buford Middle School SC**
SUBMITTED BY : **Laura Craig**

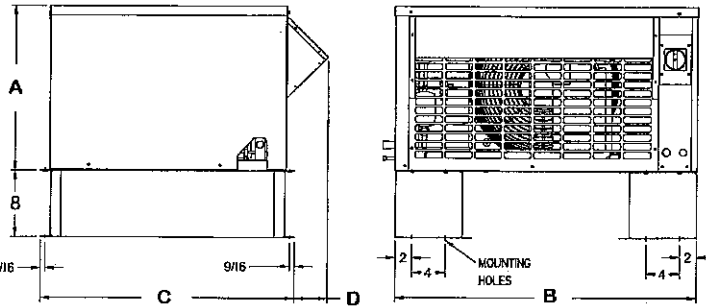
Dimensions shown are for standard unit less options.

| DIMENSIONS | |
|-------------|-----------|
| DIMENSION A | 19 3/8 in |
| DIMENSION B | 24 7/8 in |
| DIMENSION C | 30 3/8 in |
| DIMENSION D | 4 in |
| DIMENSION E | |
| DIMENSION F | |
| DIMENSION G | 0 in |
| DIMENSION H | |



| CONNECTIONS | |
|--------------------|--------|
| LIQUID | 3/8 in |
| SUCTION | 7/8 in |
| DRAIN | |
| WATER | |
| DISCHARGE | |
| PAN LOOP | |
| HOT GAS SIDE PORT | |
| HOT GAS INLET | |
| HOT GAS OUTLET | |
| OTHER | |
| SHIPPING WEIGHT | 315 lb |
| REFRIGERANT CHARGE | 4 lb |
| RECEIVER CAPACITY | 11 lb |

| APPROVALS | | | |
|-----------|--|--|--|
| | | | |
| | | | |



NOTES:

AWEF = 3.1 for R404A/R507/ AWEF = 3.08 for R407A/R448A/R449A. Non-compliant DOE NRCAN model for all other refrigerants

**NATIONAL REFRIGERATION AND AIR CONDITIONING CANADA CORP.**159 ROY BLVD, PO BOX 2020
BRANTFORD, ON
CANADA N3T 5Y6**BLP207LE-S2D****LOW PROFILE EVAPORATOR**

PURCHASER :

SUBMITTED BY : **Laura Craig**PROJECT : **Buford Middle School SC**DATE : **11 Oct 2022**ORDER # : **06338.47502.00469-A00**ITEM # : **5**QUOTE # : **Q10EULCA-A**

ID # :

PURCHASER'S PO # :

TAGGING :

MODEL FEATURES

- 3/8" Tubing coil construction (reduces refrigerant operating charge)
- Factory installed solenoid valve wire harness
- Heavy gauge textured aluminum cabinet construction resists scratches/corrosion
- Spacious piping end compartment allows for easy assembly

- Hinged drain pan with central universal drain connection (3/4" drain)
- Front access to spacious electrical and header compartments
- Schrader connection on suction header
- Attractive and durable high density polyethylene fan guards

- Ultra efficient Electronically Commutated Motor (ECM)
- ECM with SmartSpeed Technology
- High efficiency enhanced copper tube and aluminium fin coil design
- 6 FPI
- Unit Cooler is AWEF/NRCAN compliant with R404A/R507/R448A/R449A/R407A

MODEL OPTIONS (* = Shipped Loose)**PRE-ASSEMBLED EVAP**

- SmartVap+ with EEV + Solvlv
- Sporlan TXV, LLSV,T-stat
- KE2 Evap Efficiency w/Sporlan TXV
- KE2 Evap Efficiency w/Sporlan EEV
- *KE2 Evap Efficiency w/Sporlan TXV
- *KE2 Evap Efficiency w/Sporlan EEV

Aux Sideport Connector

- Painted White
- Stainless Steel

SENSORS FOR CPC BOARDS

- Coil Temp Sensor
- Return Air Temp Sensor

DEMAND DEFROST ELECTRONIC CONTROLLER

- KE2 Adaptive Control
- *KE2 Adaptive Control
- KE2 Therm Evaporator Efficiency
- *KE2 Therm Evaporator Efficiency

Dual Circuit**ELECTRONIC CONTROLLER**

- SmartVap+ Control Board and Display

EXPANSION VALVE

- Sporlan TXV
- Sporlan EEV
- EEV for SmartVap+

EVAPORATOR PRISON PACKAGE

- Tamper Proof Screws

Export Crating**COIL COATING**

- E-Coat

FIN MATERIAL

- Gold Coat Fins
- Copper Fins

Insulated Drain Pan**KE2 THERM**

- *CAT5e Shielded Cable - 50ft w/connectors
- 40' Leads on Sensors + Transducers
- Ethernet Adapter Kit
- *Remote Combo Display
- *Liquid / Suction Heat Exchanger

LIQUID LINE SOLENOID VALVE

- Sporlan
- Dual Voltage Coil 120-230V Field Wired

Nitrogen Charged and Sealed ROOM THERMOSTATS

- Mechanical
- *Mechanical
- *Johnson A19ABC
- *Johnson A421ABC-02C
- Johnson A421ABC-02

Wire Fan Guards**REMOTE DEFROST PANEL**

- *230V Control
- *115V Control

INSTALLATION REQUIREMENTS

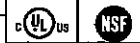
- Minimum slope of 1" per foot on all drain lines
- P-trap per evap required outside of box
- Insulated drain line requires heat - 20W/ft

| VOLTAGE | SYSTEM REFRIGERANT | AIR FLOW | EVAP. TEMP | BOX TEMP | CAPACITY | | | | |
|--------------|--------------------|----------|------------|---------------|-----------|------|-------|------|------|
| 208-230/1/60 | R448A | 1500 CFM | -19 °F | -10 °F | 6516 BTUH | | | | |
| FANS | | HEATERS | | CIRCUIT TOTAL | | | | | |
| QTY | POWER | FLA/FAN | TYPE | QTY | AMPS | AMPS | WATTS | MCA† | MOP‡ |
| 2 | 0.07HP | 0.6 | | | | 1.2 | 120 | 1.4 | 15 |
| DEFROST HTRS | | | | | 8.2 | | 1890 | 10.3 | 15 |

| DISTRIBUTOR | 3/8 in | SOUND | - | REC CAPACITY | | APPROVALS |
|-------------|--------|--------|-------|--------------|------|-----------|
| SUCTION | 7/8 in | WEIGHT | 76 lb | REF CHARGE | 1 lb | |

NOTES:

† MCA.. Minimum Circuit Ampacity, ‡ MOP.. Maximum Overcurrent Protection



APPROVED BY :

DATE :

Approval of this drawing signifies that the equipment is acceptable under the provision of the job specifications. Any change made hereon by any person whomsoever subject to acceptance by NATIONAL REFRIGERATION at its home office.



**NATIONAL REFRIGERATION AND
AIR CONDITIONING CANADA CORP.**

159 ROY BLVD, PO BOX 2020
BRANTFORD, ON
CANADA N3T 5Y6

BLP207LE-S2D

**LOW PROFILE
EVAPORATOR**

PURCHASER :

SUBMITTED BY : **Laura Craig**

PROJECT : **Buford Middle School SC**

DATE : **11 Oct 2022**

ORDER # : **06338.47502.00469-A00**

ITEM # : **5**

QUOTE # : **Q10EULCA-A**

ID # :

PURCHASER'S PO # :

TAGGING :

SELECTED OPTION DESCRIPTIONS

Expansion Valve - Sporlan TXV

May be Type EBQ, S, SBF, O externally equalized thermostatic expansion valve. Valves are selected using the specified capacity and operating conditions of the refrigeration system as specified on the accompanying Certified Prints.

Installation Requirements - Insulated drain line requires heat - 20W/ft

Freezer condensate drain lines must be insulated and heated with a minimum of 20 watts per foot.

Installation Requirements - Minimum slope of 1" per foot on all drain lines

Bally recommends a minimum slope of 1" per foot on all drain lines.

Installation Requirements - P-trap per evap required outside of box

All evaporators must be trapped individually outside of the box to prevent vapor migration back to coil surface.

Liquid Line Solenoid Valve - Sporlan

Sporlan solenoid coil voltage matches evaporator voltage except when evaporator is 460V, then 230V solenoid coil is used. Exceptions must be clearly explained in the Notes of the option.

Pre-assembled Evap - Sporlan TXV, LLSV,T-stat

Option Package consists of factory installed Sporlan balance port TXV, Sporlan liquid line solenoid valve and Johnson Controls A19 Room thermostat.

Room Thermostats - Mechanical

Single stage temperature control with Single-Pole, Double-Throw (SPDT) mechanical switch. May be Johnson A19 or equal, Operating range of -30°F to +100°F. Adjustable differential of 3°F to 12°F. Factory installed and wired.

Approval of this drawing signifies that the equipment is acceptable under the provision of the job specifications. Any change made hereon by any person whomsoever subject to acceptance by NATIONAL REFRIGERATION at its home office.



NATIONAL REFRIGERATION AND AIR CONDITIONING CANADA CORP.

159 ROY BLVD, PO BOX 2020
BRANTFORD, ON
CANADA N3T 5Y6

Order Item No: 5
BLP207LE-S2D
LOW PROFILE
EVAPORATOR

NATIONAL REFRIGERATION will furnish equipment in accordance with this drawing and specifications, and subject to its published warranty. Approval of this drawing signifies that the equipment is acceptable under the provision of the job specifications. Any change made hereon by any person whomsoever subject to acceptance by NATIONAL REFRIGERATION at its home office.

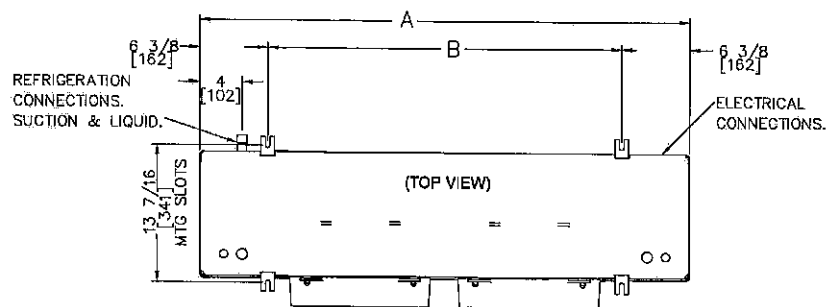
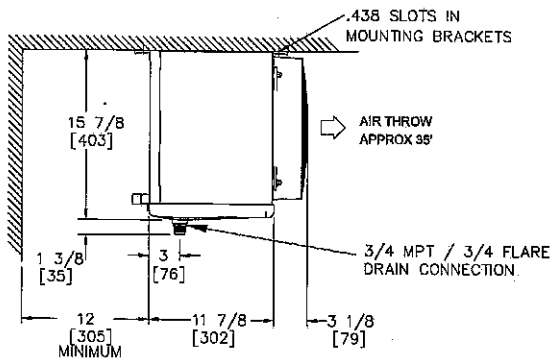
DATE : 11 Oct 2022
PURCHASER :
PROJECT : **Buford Middle School SC**
SUBMITTED BY : **Laura Craig**

Dimensions shown are for standard unit less options.

| DIMENSIONS | |
|-------------|-----------|
| DIMENSION A | 46 1/4 in |
| DIMENSION B | 33 1/4 in |
| DIMENSION C | |
| DIMENSION D | |
| DIMENSION E | |
| DIMENSION F | |
| DIMENSION G | 0 in |
| DIMENSION H | |

| CONNECTIONS | |
|--------------------|--------|
| DISTRIBUTOR | 3/8 in |
| SUCTION | 7/8 in |
| DRAIN | 3/4 in |
| WATER | |
| DISCHARGE | |
| PAN LOOP | |
| HOT GAS SIDE PORT | |
| HOT GAS INLET | |
| HOT GAS OUTLET | |
| OTHER | |
| SHIPPING WEIGHT | 76 lb |
| REFRIGERANT CHARGE | 1 lb |
| RECEIVER CAPACITY | |

| APPROVALS | | | |
|-----------|--|--|--|
| | | | |
| | | | |



NOTES:



SWANSON-GIRARD

CULINARY SOLUTIONS

Project

Buford Middle- Lancaster County
School

From

Swanson-Girard & Assoc.
Becky Jersey
10420 Southern Loop Blvd.
Pineville, NC 28134
(704)521-8811
(888)521-0778 0000 (Contact)
(704)521-8801 (Fax)
bjersey@swanson-girard.com

The following discounts have been applied to this quotation. No additional discounts can be taken off the net price shown.

To ensure all discounts are applied correctly when ordering please send ALL ORDERS to Swanson-Girard. Email: orders@swanson-girard.com or Fax: 704-521-8801

For Tracking information please either reach out to SGA office or Autoquotes Order Status.

ITEM Cooler - SHELVING, WITH METAL FRAME (4 REQ'D)**Metro Model PR2442NK3 Dimensions: 42(w) x 24(d)**

Super Erecta Pro™ Shelf, 42"W x 24"D, removable polymer shelf mat, Metroseal 3™ epoxy-coated frame, built-in Microban product protection, split sleeves, attaches to Super Erecta® round posts, NSF

- 4 ea Model PR2448NK3 Super Erecta Pro™ Shelf, 48"W x 24"D, removable polymer shelf mat, Metroseal 3™ epoxy-coated frame, built-in Microban product protection, split sleeves, attaches to Super Erecta® round posts, NSF
- 4 ea Model PR2454NK3 Super Erecta Pro™ Shelf, 54"W x 24"D, removable polymer shelf mat, Metroseal 3™ epoxy-coated frame, built-in Microban product protection, split sleeves, attaches to Super Erecta® round posts, NSF
- 12 ea Model 74PK3 Super Erecta® SiteSelect™ Post, 74-1/2"H, adjustable leveling bolt, posts are grooved at 1" increments & numbered at 2" increments, double grooved every 8", Metroseal 3 Green epoxy coated corrosion-resistant finish with Microban® antimicrobial protection
- 1 ea Model HP2236PD Metro Bow-Tie™ Dunnage Rack, 22" x 36" x 12"H, slotted, with separate polymer tie for joining racks, corrosion proof polymer construction, NSF

**ITEM Freezer - SHELVING, WITH METAL FRAME (16 REQ'D)****Metro Model PR2460NK3 Dimensions: 60(w) x 24(d)**

Super Erecta Pro™ Shelf, 60"W x 24"D, removable polymer shelf mat, Metroseal 3™ epoxy-coated frame, built-in Microban product protection, split sleeves, attaches to Super Erecta® round posts, NSF

- 8 ea Model PR2454NK3 Super Erecta Pro™ Shelf, 54"W x 24"D, removable polymer shelf mat, Metroseal 3™ epoxy-coated frame, built-in Microban product protection, split sleeves, attaches to Super Erecta® round posts, NSF
- 24 ea Model 74PK3 Super Erecta® SiteSelect™ Post, 74-1/2"H, adjustable leveling bolt, posts are grooved at 1" increments & numbered at 2" increments, double grooved every 8", Metroseal



09/16/2022

Buford Middle- Lancaster County

1 ea 3 Green epoxy coated corrosion-resistant finish with Microban® antimicrobial protection
Model HP2236PD Metro Bow-Tie™ Dunnage Rack, 22" x 36" x 12"H, slotted, with separate
polymer tie for joining racks, corrosion proof polymer construction, NSF

*This quotation is based on our understanding of the information provided to us. While we make every effort to ensure that the quote is correct, **IT IS ULTIMATELY THE CUSTOMER'S RESPONSIBILITY TO CHECK THE QUOTE FOR ERRORS.** We are not responsible for this quotation meeting your requirements based on incorrect information. Please check our quotation carefully. Anything not listed will not be furnished. **All items are quoted as each unless otherwise shown.***



Bally Refrigerated Boxes, Inc.
Morehead City, NC 28557 (800) 242-2559

Last Update: 10/12/2022
Revisor: Laura Craig
To: All Bidders

Quote No: 2760-002-R03-LC
Item No:
Job Name: Clinton Elementary School Lancaster SC
Date: 10/12/2022 **PVD:** 10/3/2022
From: Laura Craig
 Swanson-Girard & Associates
 10420 Southern Loop Blvd
 Pineville, NC 28134

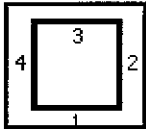
Attn:

Phone: **Fax:** (704)521-8801

Box Shape

Indoor Structure

NSF APPROVED



Bally Prefabricated Exterior Dimensions:

7'-9"(l) x 6'-9½"(w) x 8'-6"(h)
 1 Compartments 1 Tiers With Floor 4" Floor
 Ceiling: Single Span

Panel Thickness:

4 in. Exterior Vertical Used (7'-10") with 4 in. Floor, 4 in. Ceiling

Details on Following Page(s)

NOTE: Freight shown is an estimate based on current published rates. A fuel surcharge will be added and changes continuously.

Walk-in Price:

Refrigeration Price:

Total Price (FOB Plant) (Less Refrig.Warranties):

Estimated Freight:

Optional Warranties: (not included in Total Price)

(1) 02 HP System (5 yr. Parts , 1 yr. Labor)

Payment terms and conditions are available upon request.

This quotation was based on information supplied to us which may or may not have been complete. Customer is responsible for reviewing this quotation for exclusions, deviations, and any improper information supplied to us.

Signature: _____

Laura Craig

Date: _____

We are not responsible for the selection or recommendation of the panel finish for any building or walk-in application.

NOTE: Quoting Bally standard specifications, sizes, and finishes.

This quotation is good through 11/26/2022

Act of 2007 (Public Law 110-140) Title III; Section 312, regarding Walk-In Coolers and Walk-In Freezers.



Bally Refrigerated Boxes, Inc.
Morehead City, NC 28557 (800) 242-2559

Last Update: 10/12/2022
Revisor: Laura Craig
To: All Bidders

Quote No: 2760-002-R03-LC
Item No:
Job Name: Clinton Elementary School Lancaster SC
Date: 10/12/2022 **PVD:** 10/3/2022
From: Laura Craig
 Swanson-Girard & Associates
 10420 Southern Loop Blvd
 Pineville, NC 28134
Phone: **Fax:** (704)521-8801

Attn:

Indoor Structure

NSF APPROVED

Bally Prefabricated Exterior Dimensions:

7'-9"(l) x 6'-9½"(w) x 8'-6"(h)
 1 Compartments 1 Tiers With Floor 4" Floor
 Ceiling: Single Span

Panel Thickness:

4 in. Exterior Vertical Used (7'-10") with 4 in. Floor, 4 in. Ceiling

Details and specifications for Quote No: 2760-002-R03-LC

Comments:

Base Finish

Vertical and Ceiling Panels: Embossed Galvalume (26 GA)

Special Finishes:

Interior Floor - Aluminum Treadplate .125" Thick

Doors/Openings:

- Wall 1 Door 1 (1) 36" x 78" Hinged Door In a 46"
- Wall 1 Door 1 (1) 57 1/2" Door Section
- Wall 1 Door 1 (1) Bally Standard Pressure Relief Port (< 400 sq/ft)
- Wall 1 Door 1 (1) Ext. Alum Diam/Tread Ramp (30-36" Door)
- Wall 1 Door 1 (1) Strip Curtain (36" Door and Under)
- Wall 1 Door 1 (1) Super Door 36" Wide and Under, 30" High

Accessories and Extras:

- (1) 48" LED KEIL 48x754-CL-N Light
 - 40° F to 100° F(Range)

Floor Options:

- (56) S/F 1/2" Plywood Foamed in Panel

Refrigeration:

- (1) BEZA 020 L8 HT3D (208-230/3/60) w/ smart speed
 Includes defrost contactor for 1 Evap.
- (1) BLP207LE-S2D 208-230/1/60
 2 Fan 7160 BTU/h
- (1) Refrigeration is calculated for standard use at a box temperature of
 -10° F. with a condensing unit ambient of 105° F.

Estimated Shipping:

Weight: 2,320.70
 Destination: Lancaster, SC, 29720



Bally Refrigerated Boxes, Inc.
Morehead City, NC 28557 (800) 242-2559

Last Update: 10/12/2022
Revisor: Laura Craig
To: All Bidders

Quote No: 2760-002-R03-LC
Item No:
Job Name: Clinton Elementary School Lancaster SC
Date: 10/12/2022 **PVD:** 10/3/2022
From: Laura Craig
 Swanson-Girard & Associates
 10420 Southern Loop Blvd
 Pineville, NC 28134
Phone: **Fax:** (704)521-8801

Attn:

Deviations (Alternates, Remarks, Clarifications, Etc.):

Quoting Bally Standard Pre-assembled Remote Refrigeration.

Bally Floor Panels are capable of supporting up to 800 lbs. Per Sq/Ft uniformly distributed stationary loading. Bally does not recommend the use rolling loads of heavy carts, pallet jacks or fork lifts on top of the floors. Warranty for floors subjected to this type of use would not be covered by Bally.

Exclusions (Items Not Supplied by Bally):

- | | |
|---|--|
| <input checked="" type="checkbox"/> Shelving, Racks, Interior Accessories | <input checked="" type="checkbox"/> Caulking and Sealants |
| <input type="checkbox"/> Labor on Warranties | <input type="checkbox"/> Refrigeration Systems |
| <input checked="" type="checkbox"/> Alarm Systems | <input checked="" type="checkbox"/> Refrigeration Accessories |
| <input checked="" type="checkbox"/> Supervision | <input checked="" type="checkbox"/> Closure Panel and Trim |
| <input checked="" type="checkbox"/> Tubing, Wiring for Rfg. Equipment | <input checked="" type="checkbox"/> Sleeves, Penetrations, Escutcheon Plates |
| <input checked="" type="checkbox"/> Compressor Rack | <input checked="" type="checkbox"/> Floor Insulation and Vapor Barrier |

Cancelled Orders: Cancelled unshipped standard walk-ins will be charged a 30% restocking fee plus the cost of special panels. Cancelled refrigeration systems will be charged a 30% restocking fee and the cost of any freight accrued. Buy-out items will be charged a 25% restocking fee plus any freight accrued.

Agency Ratings: Bally units comply or surpass applicable Flame Spread-25, UL, UL 723, & NSF standards in a manner conforming to ASTM E-84, and Factory Mutual standards.

Quotation Limitations: This quotation was based upon the specifications given to Bally which may possibly be incomplete. Bally is not responsible for items missing from the quotation due to incomplete or excluded items in the specifications received from the customer. The customer is responsible for reviewing the quotation for omissions or deviations from the specifications given to Bally. All portions of the quotation are subject to revision upon receipt of detailed specifications or if changes are made following the delivery of the original quotation. Quotations expire on the date indicated on Page 1 of the Quote. Approval drawings must be returned within 60 days of receipt of the purchase order. The order must ship within the agreed upon time frames or current lead times, but no later than 7 months. Any deviations to this quotation (dimensions or specification changes) will require updated pricing.

Panel Construction: Bally Panels are manufactured with environmentally friendly HFC 245-FA polyurethane foam. This polyurethane foam offers the highest thermal insulation value and the most energy efficiency per cubic inch in comparison to similar foams. It has a zero Ozone Depletion Potential (ODP) and a low Global Warming Potential (GWP). It is not considered a Volatile Organic Compound (VOC) in the US. Standard 4" Bally panels meet the 2009 Federal Energy Standards.

Refrigerants: Unless otherwise specified, refrigeration systems are quoted with environmentally friendly HFO R448A refrigerant. It has a Low Global Warming Potential (GWP) and the EPA lists it as an acceptable substitute for R404A and other high GWP refrigerants.

Automatic Door Closers: Bally includes automatic door closers and spring loaded hinges on all doors 42" wide and smaller as a standard feature with no additional charge that meet the 2009 Federal Energy Standards.

Motors: Bally units are quoted with EC and PSC motors in compliance with federal energy standards, for increased energy savings.

Lighting: Bally units are quoted with lighting in compliance with federal Energy Standards for increased energy savings.

Optional Features: Bally offers additional optional energy-saving features such as Walk-In Alarm & Light Management systems that comply or surpass the 2009 Federal energy regulations.



Bally Refrigerated Boxes, Inc.
Morehead City, NC 28557 (800) 242-2559

Last Update: 10/12/2022
Revisor: Laura Craig
To: All Bidders

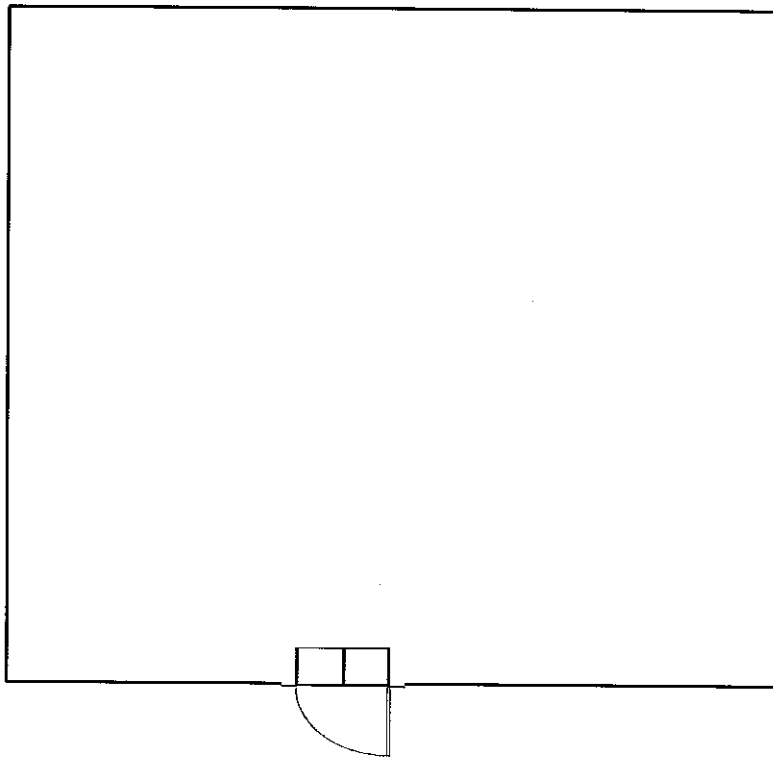
Quote No: 2760-002-R03-LC
Item No:
Job Name: Clinton Elementary School Lancaster SC
Date: 10/12/2022 *PVD:* 10/3/2022
From: Laura Craig
Swanson-Girard & Associates
10420 Southern Loop Blvd
Pineville, NC 28134
Phone: *Fax:* (704)521-8801

Attn:

This drawing is for reference purposes only and it not intended to be a formal scale model.

w3: 7'-9"

w4: 6'-9½"

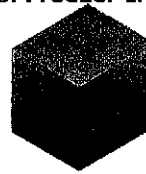


w2: 6'-9½"

w1: 7'-9"

DOOR 1: Wall1 36" x 78" Hinged Door In a 46" Centered Hinge:Right Orientaion:Regular

Clinton Elementary School Freezer INDOOR LOAD CALCULATION



| COOLING REQUIREMENTS | | | | | | | | | |
|---|---|--------------------|--------------------------------------|--------------------------|-----------------|---------------------|----------------|----------------|------------------------|
| Application | General Walk-in Freezer | | | Location | Indoor | | | | |
| Internal Temp | -10 °F | Internal RH | 95% | External Temp | 85 °F | External RH | 55% | | |
| Wall Load | 1,320 BTUH | Infiltration | 1,830 BTUH | Products | 82 BTUH | Miscellaneous | 559 BTUH | | |
| | 35% | | 48% | | 2% | | 15% | | |
| WALL, FLOOR AND CEILING LOADS | | | | | | | | | |
| Section | Construction | Thickness (in) | K Factor | R Value | Ext Temp (°F) | Dim 1 (ft) | Dim 2 (ft) | Area (ft²) | Load (BTUH) |
| Rear | Urethane, Standard panels | 4.000 | 0.14 | 28.57 | 85.0 | 7.80 | 8.50 | 66 | 220 |
| Right End | Urethane, Standard panels | 4.000 | 0.14 | 28.57 | 85.0 | 6.90 | 8.50 | 39 | 130 |
| | Door | | | 15.00 | 85.0 | 3.00 | 6.50 | 20 | 123 |
| Front | Urethane, Standard panels | 4.000 | 0.14 | 28.57 | 85.0 | 7.80 | 8.50 | 66 | 220 |
| Left End | Urethane, Standard panels | 4.000 | 0.14 | 28.57 | 85.0 | 6.90 | 8.50 | 59 | 195 |
| Floor | Insulated Floor - Panels On Concrete On Grade | 10.000 | 0.31 | 32.32 | | 7.80 | 6.90 | 54 | 252 |
| Ceiling | Urethane, Standard panels | 4.000 | 0.14 | 28.57 | 85.0 | 7.80 | 6.90 | 54 | 179 |
| VOLUME (ft³) | | 457 | TOTAL WALL, FLOOR AND CEILING LOAD | | | | 1,320 | | |
| INFILTRATION LOAD : ESTIMATED BY DOORS AND OPENINGS | | | | | | | | | |
| Quantity | Door or Opening Type | Height (in) | Width (in) | External Temp (°F) | External Rh (%) | Open Time (hrs) | Curtains | Load (BTUH) | |
| 1 | Door | 78.00 | 36.00 | 85.0 | 55.0 | 0.18 | None | 1,830 | |
| TOTAL INFILTRATION LOAD ESTIMATED BY DOORS AND OPENINGS | | | | | | | | 1,830 | |
| PRODUCT LOADS | | | | | | | | | |
| Type | Weight (lb) | Enter Temp (°F) | Final Temp (°F) | Pull Down (hrs) | Load (BTUH) | | | | |
| General, Mixed Products, Approximation | 457 | 0.0 | -10.0 | 24 | 82 | | | | |
| TOTAL PRODUCT WEIGHT (lbs) | 457 | TOTAL PRODUCT LOAD | | | 82 | | | | |
| MISCELLANEOUS LOADS | | | | | | | | | |
| Quantity | Description | Power | Units | Run Time (hrs) | Load (BTUH) | | | | |
| | LIGHTING | 1 | W/ft² | 24 | 184 | | | | |
| 2 | EVAPORATOR MOTORS | 60 | W | 22 | 375 | | | | |
| TOTAL MISCELLANEOUS LOAD | | | | | 559 | | | | |
| SYSTEM DESIGN SUMMARY | | | | | | | | | |
| Design Load (BTUH) | Safety Factor | Safety Load (BTUH) | Run Time (Hours) | Capacity Required (BTUH) | Refrigerant | Line Frequency (Hz) | Design TD (°F) | Line Loss (°F) | Condenser Ambient (°F) |
| 3,791 | 10% | 4,170 | 18 | 5,561 | R448A | 60 | 10 | 0.5 | 105 |
| SYSTEM EQUIPMENT SELECTION | | | | | | | | | |
| Equipment Type | Quantity | Model Number | Description | Voltage | Rating (BTUH) | | | | |
| Condensing Unit | 1 | BEZA020L8-HT3D | EZ-Line Scroll, Condensing Units-Air | 208-230/3/60 | | | | | |
| Evaporator | 1 | BLP207LE-S2D | Low Profile, Evaporator | 208-230/1/60 | | | | | |
| SYSTEM BALANCE | | | | | | | | | |
| Fan Load (BTUH) | Suction Temp (°F) | Evaporator TD (°F) | System Capacity (BTUH) | | | | | | |
| | -19.5 | 9 | 6,516 | | | | | | |

**NATIONAL REFRIGERATION AND AIR CONDITIONING CANADA CORP.**159 ROY BLVD, PO BOX 2020
BRANTFORD, ON
CANADA N3T 5Y6**BEZA020L8-HT3D****EZ-LINE SCROLL
CONDENSING UNITS-AIR**

PURCHASER :

SUBMITTED BY : **Laura Craig**PROJECT : **Clinton Elementary School Lancaster SC**DATE : **11 Oct 2022**ORDER # : **06339.41918.00469-A00**ITEM # : **1**QUOTE # : **Q11EULCB**

ID # :

PURCHASER'S PO # :

TAGGING :

MODEL FEATURES

- 3/8" Tubing coil construction (reduces refrigerant operating charge)
- Anti-short cycle time delay
- Adjustable pressure fan cycling control on 2 fan models only
- Copper tubing secured with cushion clamps
- Crankcase heater
- Fan Guard

- Fan motors are inherently protected with internal overloads
- Pre-formed piping
- Receiver with fusible plug and liquid shut off valve
- Suction Service valve
- Adjustable flooded head pressure control (unless otherwise indicated)
- Units are shipped with Helium holding charge
- Weatherproof electrical control box with compressor contactor and fused control circuit

- Welded hermetic Scroll compressor
- Adjustable low pressure control with flex hose / fixed high pressure control
- ECM with SmartSpeed Technology
- High efficiency enhanced copper tube and aluminium fin coil design
- Compatible with Low GWP Refrigerants
- Outdoor weatherproof pre-painted steel cabinet

MODEL OPTIONS (* = Shipped Loose)**OPTION PACKAGES**

- Small B (Good@Warm/Moderate)
 Small N (Better@Warm/Moderate)
 Small P (Best@Warm/Moderate)
 Small D (Good@Moderate/Cold)
 Small J (Better@Moderate/Cold)
 Small Q (Best@Moderate/Cold)
 Small K
 Small H

ELECTRIC DEFROST KIT

- DFK-02

11.5V Control Circuit

- ADJUSTABLE PRESSURE CONTROLS**
 Johnson Dual with flex hose
 Separate High/Low
 Separate High/Low: MAN Reset on HP

BALL VALVE

- *Liquid Line
 Liquid Line
 *Suction Line
 Suction Line

CAPACITY CONTROL - HOT GAS BYPASS

- To Inlet of Evaporator
 To Suction Line

Compressor Circuit Breaker**CONDENSING UNIT PRISON PACKAGE**

- Tamper Proof Screws
 Crankcase Pressure Regulator

CONTACTORS

- 30A Contactor
 40A Contactor
 60A Contactor

DEFROST KIT**(USE W/KE2 EVAP EFF)**

- Up to 30A per Evap
 35A to 50A per Evap
 Over 50A per Evap

Discharge Air Hood**Discharge Line Check Valve****Discharge Line Temperature Sensor****DISCONNECT SWITCH**

- Fused
 Non-Fused

EC FAN MOTORS + SPEED CONTROLLER

- All Motors Variable Speed - 230V Units

ELECTRONIC PRESSURE CONTROL

- Low Pressure Control
 High Pressure Control

Export Crating**EXTENDED 4-YEAR COMPRESSOR WARRANTY**

- Copeland
 Extended Leg Kit

COIL COATING

- E-Coat

FIN MATERIAL

- Gold Coat Fins
 Copper Fins

Hail Guard for Condenser**Heated and Insulated Receiver****HOUSING MATERIAL**

- Stainless Steel

Insulated Suction Line**LIQUID LINE FILTER + SIGHT GLASS**

- Sealed
 Replaceable

 Liquid Line Lock-Out Relay**LIQUID LINE SOLENOID VALVE**

- *Standard 230V Coil
 *Standard 11.5V Coil

OIL SEPARATOR

- With Oil Filter and Solenoid

One Time Pump Down**Oversized Receiver****PHASE / VOLTAGE MONITOR**

- 3-Lead
 6-Lead (MotorSaver455)

Pump Down Toggle Switch**QuickVac Valves****Receiver Inlet Ball Valve****Single Point Electrical****Sub Cooling Circuit****SUCTION ACCUMULATOR**

- With Heat Exchanger
 Without Heat Exchanger


SUCTION FILTER

- Sealed Type
 Replaceable Core

TIME CLOCK

- Paragon 8145 Style
 *230V Paragon 8145 Style
 *11.5V Paragon 8145 Style

Wind Guard**Less Flooding Valve(s)**

| | | | | | | | |
|---|-------|--------------------|-------------|--------|--------------|---------------|---|
| VOLTAGE | | SYSTEM REFRIGERANT | | RATING | SUCTION TEMP | AMBIENT TEMP | CAPACITY |
| 208-230/3/60 | | R448A | | 2Hp | -19.5 °F | 105 °F | 6516 BTUH |
| FANS | | | COMPRESSOR | | | CIRCUIT TOTAL | |
| QTY | POWER | FLA/FAN | TYPE | QTY | RLA | LRA | AMPS |
| 1 | 100W | 1 | ZF07KAE-TF5 | 1 | 8.6 | 58 | 9.6 |
| LIQUID | | 3/8 in | SOUND | - | REC CAPACITY | 11 lb | |
| SUCTION | | 7/8 in | WEIGHT | 315 lb | REF CHARGE | 4 lb | |
| NOTES: | | | | | | |  |
| † MCA.. Minimum Circuit Ampacity, ‡ MOP.. Maximum Overcurrent Protection MCA & MOP are for the condensing unit ONLY. Single point connections WILL show different on dataplate. AWEF = 3.1 for R404A/R507/ AWEF = 3.08 for R407A/R448A/R449A. Non-compliant DOE NRCAN model for all other refrigerants. | | | | | | | |

APPROVED BY :

DATE :

Approval of this drawing signifies that the equipment is acceptable under the provision of the job specifications. Any change made hereon by any person whomsoever subject to acceptance by NATIONAL REFRIGERATION at its home office.



**NATIONAL REFRIGERATION AND
AIR CONDITIONING CANADA CORP.**

159 ROY BLVD, PO BOX 2020
BRANTFORD, ON
CANADA N3T 5Y6

BEZA020L8-HT3D

**EZ-LINE SCROLL
CONDENSING UNITS-AIR**

PURCHASER :

SUBMITTED BY : **Laura Craig**

PROJECT : **Clinton Elementary School Lancaster SC**

DATE : **11 Oct 2022**

ORDER # : **06339.41918.00469-A00**

ITEM # : **1**

QUOTE # : **Q11EULCB**

ID # :

PURCHASER'S PO # :

TAGGING :

SELECTED OPTION DESCRIPTIONS

Electric Defrost Kit - DFK-02

Electric Defrost Kit includes:

Mechanical Time Clock:

Time initiated temperature terminated with a timed failsafe.

Contactors:

Three pole definite purpose, 230V or 115V coil as defined by
the control circuit voltage

HtrCont1x 40A

Fuse Blocks:

1x 30A (2P) Class CC

Liquid Line Filter + Sight Glass - Sealed

Sporlan C Series with ODF solder connections and Sporlan SA
moisture indicator factory installed in liquid line.

Option Packages - Small B (Good@Warm/Moderate)

LLFD+SG

Approval of this drawing signifies that the equipment is acceptable under the provision of the job specifications. Any change made hereon by any person whomsoever subject to acceptance by NATIONAL REFRIGERATION at its home office.



**NATIONAL REFRIGERATION AND
AIR CONDITIONING CANADA CORP.**
159 ROY BLVD, PO BOX 2020
BRANTFORD, ON
CANADA N3T 5Y6

Order Item No: 1
BEZA020L8-HT3D
EZ-LINE SCROLL
CONDENSING UNITS-AIR

NATIONAL REFRIGERATION will furnish equipment in accordance with this drawing and specifications, and subject to its published warranty. Approval of this drawing signifies that the equipment is acceptable under the provision of the job specifications. Any change made hereon by any person whomsoever subject to acceptance by NATIONAL REFRIGERATION at its home office.

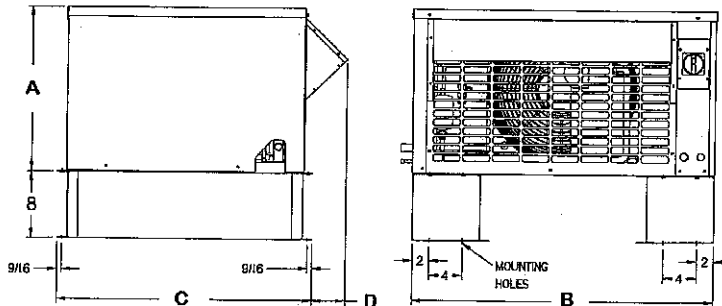
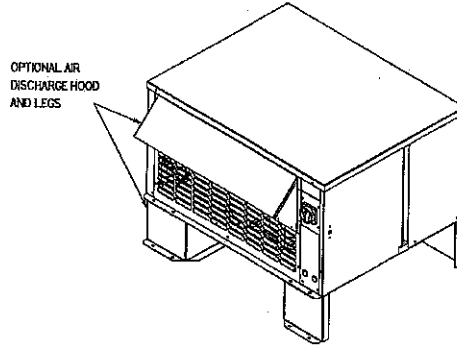
DATE : 11 Oct 2022
PURCHASER :
PROJECT : Clinton Elementary School Lancaster SC
SUBMITTED BY : Laura Craig

Dimensions shown are for standard unit less options.

| DIMENSIONS | |
|-------------|-----------|
| DIMENSION A | 19 3/8 in |
| DIMENSION B | 24 7/8 in |
| DIMENSION C | 30 3/8 in |
| DIMENSION D | 4 in |
| DIMENSION E | |
| DIMENSION F | |
| DIMENSION G | 0 in |
| DIMENSION H | |

| CONNECTIONS | |
|--------------------|--------|
| LIQUID | 3/8 in |
| SUCTION | 7/8 in |
| DRAIN | |
| WATER | |
| DISCHARGE | |
| PAN LOOP | |
| HOT GAS SIDE PORT | |
| HOT GAS INLET | |
| HOT GAS OUTLET | |
| OTHER | |
| SHIPPING WEIGHT | 315 lb |
| REFRIGERANT CHARGE | 4 lb |
| RECEIVER CAPACITY | 11 lb |

| APPROVALS | | | |
|-----------|--|--|--|
| | | | |
| | | | |



NOTES:

AWEF = 3.1 for R404A/R507/ AWEF = 3.08 for R407A/R448A/R449A. Non-compliant DOE NRCAN model for all other refrigerants



**NATIONAL REFRIGERATION AND
AIR CONDITIONING CANADA CORP.**
159 ROY BLVD, PO BOX 2020
BRANTFORD, ON
CANADA N3T 5Y6

BLP207LE-S2D

**LOW PROFILE
EVAPORATOR**

PURCHASER :

SUBMITTED BY : **Laura Craig**

PROJECT : **Clinton Elementary School Lancaster SC**

DATE : **11 Oct 2022**

ORDER # : **06339.41918.00469-A00**

ITEM # : **2**

QUOTE # : **Q11EULCB**

ID # :

PURCHASER'S PO # :

TAGGING :

MODEL FEATURES

- 3/8" Tubing coil construction (reduces refrigerant operating charge)
- Factory installed solenoid valve wire harness
- Heavy gauge textured aluminum cabinet construction resists scratches/corrosion
- Spacious piping end compartment allows for easy assembly

- Hinged drain pan with central universal drain connection (3/4" drain)
- Front access to spacious electrical and header compartments
- Schrader connection on suction header
- Attractive and durable high density polyethylene fan guards

- Ultra efficient Electronically Commutated Motor (ECM)
- ECM with SmartSpeed Technology
- High efficiency enhanced copper tube and aluminium fin coil design
- 6 FPI
- Unit Cooler is AWEF/NRCAN compliant with R404A/R507/R448A/R449A/R407A

MODEL OPTIONS (* = Shipped Loose)

- PRE-ASSEMBLED EVAP**
- SmartVap+ with EEV + Solvlv
 - Sporlan TXV, LLSV,T-stat
 - KE2 Evap Efficiency w/Sporlan TXV
 - KE2 Evap Efficiency w/Sporlan EEV
 - *KE2 Evap Efficiency w/Sporlan TXV
 - *KE2 Evap Efficiency w/Sporlan EEV
- Aux Sideport Connector**
- CABINET FINISH**
- Painted White
 - Stainless Steel
- SENSORS FOR CPC BOARDS**
- Coil Temp Sensor
 - Return Air Temp Sensor
- DEMAND DEFROST ELECTRONIC CONTROLLER**
- KE2 Adaptive Control
 - *KE2 Adaptive Control
 - KE2 Therm Evaporator Efficiency
 - *KE2 Therm Evaporator Efficiency
- Dual Circuit**

- ELECTRONIC CONTROLLER**
- SmartVap+ Control Board and Display
- EXPANSION VALVE**
- Sporlan TXV
 - Sporlan EEV
 - EEV for SmartVap+
- EVAPORATOR PRISON PACKAGE**
- Tamper Proof Screws
- Export Crating**
- COIL COATING**
- E-Coat
- FIN MATERIAL**
- Gold Coat Fins
 - Copper Fins
- Insulated Drain Pan**
- KE2 THERM**
- *CAT5e Shielded Cable - 50ft w/connectors
 - 40' Leads on Sensors + Transducers
 - Ethernet Adapter Kit
 - *Remote Combo Display
 - *Liquid / Suction Heat Exchanger

- LIQUID LINE SOLENOID VALVE**
- Sporlan
 - Dual Voltage Coil 120-230V Field Wired
 - Nitrogen Charged and Sealed
- ROOM THERMOSTATS**
- Mechanical
 - *Mechanical
 - *Johnson A19ABC
 - *Johnson A421ABC-02C
 - Johnson A421ABC-02
- Wire Fan Guards**
- REMOTE DEFROST PANEL**
- *230V Control
 - *115V Control
- INSTALLATION REQUIREMENTS**
- Minimum slope of 1" per foot on all drain lines
 - P-trap per evap required outside of box
 - Insulated drain line requires heat - 20W/ft

| | | | | | | | | | |
|--|--------|--------------------|---------|--------------|------------|---------------|-----------|------|------|
| VOLTAGE | | SYSTEM REFRIGERANT | | AIR FLOW | EVAP. TEMP | BOX TEMP | CAPACITY | | |
| 208-230/1/60 | | R448A | | 1500 CFM | -19 °F | -10 °F | 6516 BTUH | | |
| FANS | | | HEATERS | | | CIRCUIT TOTAL | | | |
| QTY | POWER | FLA/FAN | TYPE | QTY | AMPS | AMPS | WATTS | MCA† | MOP‡ |
| 2 | 0.07HP | 0.6 | | | | 1.2 | 120 | 1.4 | 15 |
| DEFROST HTRS | | | | 8.2 | | | 1890 | 10.3 | 15 |
| DISTRIBUTOR | 3/8 in | SOUND | - | REC CAPACITY | | | APPROVALS | | |
| SUCTION | 7/8 in | WEIGHT | 76 lb | REF CHARGE | 1 lb | | | | |
| NOTES: | | | | | | | cULus | | NSF |
| † MCA.. Minimum Circuit Ampacity, ‡ MOP.. Maximum Overcurrent Protection | | | | | | | | | |

APPROVED BY : _____ **DATE :** _____

Approval of this drawing signifies that the equipment is acceptable under the provision of the job specifications. Any change made hereon by any person whomsoever subject to acceptance by NATIONAL REFRIGERATION at its home office.



**NATIONAL REFRIGERATION AND
AIR CONDITIONING CANADA CORP.**

159 ROY BLVD, PO BOX 2020
BRANTFORD, ON
CANADA N3T 5Y6

BLP207LE-S2D

**LOW PROFILE
EVAPORATOR**

PURCHASER :

SUBMITTED BY : **Laura Craig**

PROJECT : **Clinton Elementary School Lancaster SC**

DATE : **11 Oct 2022**

ORDER # : **06339.41918.00469-A00**

ITEM # : **2**

QUOTE # : **Q11EULCB**

ID # :

PURCHASER'S PO # :

TAGGING :

SELECTED OPTION DESCRIPTIONS

Expansion Valve - Sporlan TXV

May be Type EBQ, S, SBF, O externally equalized thermostatic expansion valve. Valves are selected using the specified capacity and operating conditions of the refrigeration system as specified on the accompanying Certified Prints.

**Installation Requirements - Insulated drain line
requires heat - 20W/ft**

Freezer condensate drain lines must be insulated and heated with a minimum of 20 watts per foot.

**Installation Requirements - Minimum slope of 1" per
foot on all drain lines**

Bally recommends a minimum slope of 1" per foot on all drain lines.

**Installation Requirements - P-trap per evap required
outside of box**

All evaporators must be trapped individually outside of the box to prevent vapor migration back to coil surface.

Liquid Line Solenoid Valve - Sporlan

Sporlan solenoid coil voltage matches evaporator voltage except when evaporator is 460V, then 230V solenoid coil is used. Exceptions must be clearly explained in the Notes of the option.

Pre-assembled Evap - Sporlan TXV, LLSV, T-stat

Option Package consists of factory installed Sporlan balance port TXV, Sporlan liquid line solenoid valve and Johnson Controls A19 Room thermostat.

Room Thermostats - Mechanical

Single stage temperature control with Single-Pole, Double-Throw (SPDT) mechanical switch. May be Johnson A19 or equal, Operating range of -30°F to +100°F. Adjustable differential of 3°F to 12°F. Factory installed and wired.

Approval of this drawing signifies that the equipment is acceptable under the provision of the job specifications. Any change made hereon by any person whomsoever subject to acceptance by NATIONAL REFRIGERATION at its home office.



**NATIONAL REFRIGERATION AND
AIR CONDITIONING CANADA CORP.**

159 ROY BLVD, PO BOX 2020
BRANTFORD, ON
CANADA N3T 5Y6

Order Item No: 2
BLP207LE-S2D
**LOW PROFILE
EVAPORATOR**

NATIONAL REFRIGERATION will furnish equipment in accordance with this drawing and specifications, and subject to its published warranty. Approval of this drawing signifies that the equipment is acceptable under the provision of the job specifications. Any change made hereon by any person whomsoever subject to acceptance by NATIONAL REFRIGERATION at its home office.

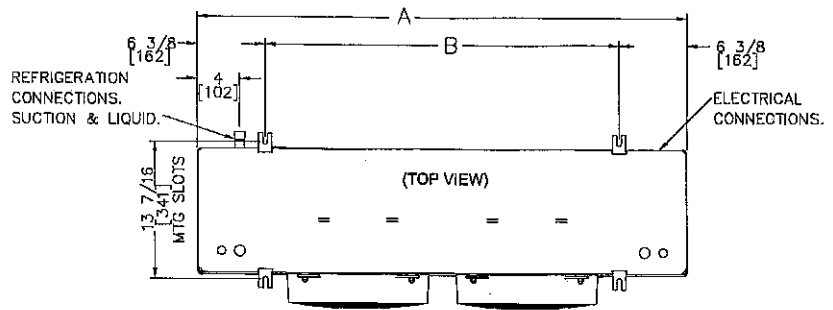
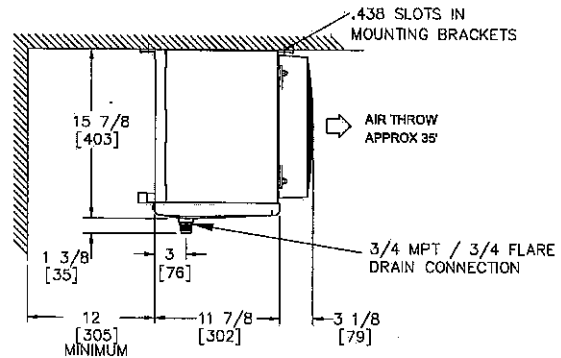
DATE : 11 Oct 2022
PURCHASER :
PROJECT : Clinton Elementary School Lancaster SC
SUBMITTED BY : Laura Craig

Dimensions shown are for standard unit less options.

| DIMENSIONS | |
|-------------|-----------|
| DIMENSION A | 46 1/4 in |
| DIMENSION B | 33 1/4 in |
| DIMENSION C | |
| DIMENSION D | |
| DIMENSION E | |
| DIMENSION F | |
| DIMENSION G | 0 in |
| DIMENSION H | |

| CONNECTIONS | |
|--------------------|--------|
| DISTRIBUTOR | 3/8 in |
| SUCTION | 7/8 in |
| DRAIN | 3/4 in |
| WATER | |
| DISCHARGE | |
| PAN LOOP | |
| HOT GAS SIDE PORT | |
| HOT GAS INLET | |
| HOT GAS OUTLET | |
| OTHER | |
| SHIPPING WEIGHT | 76 lb |
| REFRIGERANT CHARGE | 1 lb |
| RECEIVER CAPACITY | |

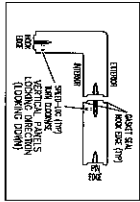
| APPROVALS | | | |
|-----------|--|--|--|
| | | | |
| | | | |



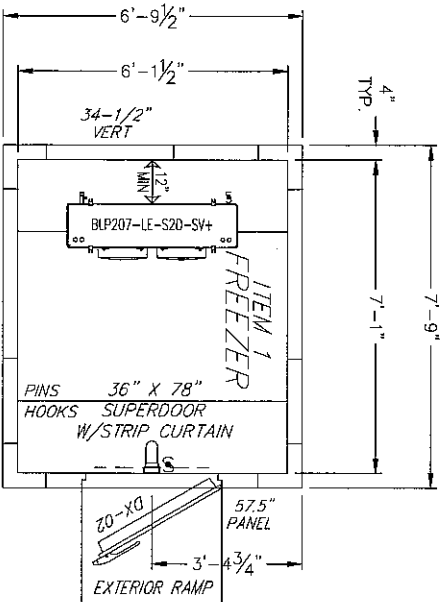
NOTES:



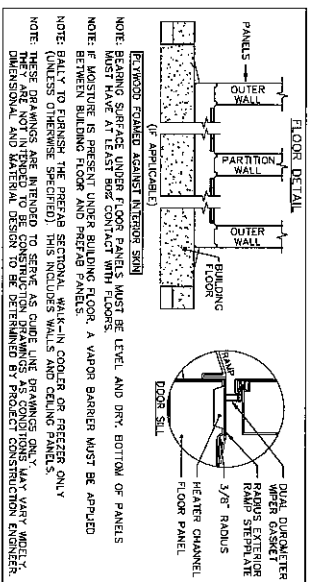
BALLY FLOOR PANEL GUIDELINES
 1. CONSULT THE BALLY REPRESENTATIVE FOR THE MOST CURRENT BALLY FLOOR PANEL GUIDELINES. THESE GUIDELINES ARE SUBJECT TO CHANGE WITHOUT NOTICE.
 2. BALLY FLOOR PANELS ARE DESIGNED TO BE USED IN CONJUNCTION WITH A CONDENSING UNIT.
 3. BALLY FLOOR PANELS ARE NOT TO BE USED IN AREAS WHERE THE FLOOR IS TO BE EXPOSED TO OIL, GREASE, OR OTHER LIQUIDS.
 4. BALLY FLOOR PANELS ARE NOT TO BE USED IN AREAS WHERE THE FLOOR IS TO BE EXPOSED TO HIGH TEMPERATURES.
 5. BALLY FLOOR PANELS ARE NOT TO BE USED IN AREAS WHERE THE FLOOR IS TO BE EXPOSED TO VIBRATION.



THIS DRAWING IS TO BE USED FOR "APPROVAL ONLY."
 -> DO NOT USE THIS DRAWING FOR INSTALLATION!
 EVERY SHIPPED ORDER WILL HAVE A FINALIZED AS-BUILT DRAWING.



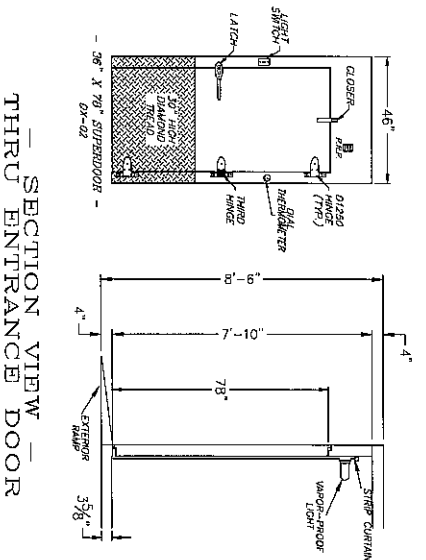
PLAN VIEW B
 SCALE: 1/2" = 1'-0"



FLOOR DETAIL
 NOTE: BEARING SURFACE UNDER FLOOR PANELS MUST BE LEVEL AND DRY. BOTTOM OF PANELS MUST HAVE AT LEAST 2" CONTACT WITH FLOOR.
 NOTE: IF MOISTURE IS PRESENT UNDER BUILDING FLOOR, A VAPOR BARRIER MUST BE APPLIED BETWEEN BUILDING FLOOR AND PRECAST PANELS.
 NOTE: BALLY TO FINISH THE PRECAST SECTIONAL WALK-IN COOLER OR FREEZER ONLY.
 NOTE: THESE ARE NOT INTENDED TO BE CONSTRUCTION DETAILS. DIMENSIONS MAY VARY. WEIGHT, DIMENSIONAL, AND MATERIAL DESIGN TO BE DETERMINED BY PROJECT CONSTRUCTION ENGINEER.

GENERAL NOTES
 - NOTE: BALLY TO FURNISH (1) 48" LED LIGHTS, LIGHTS SHIPPED LOOSE AND MOUNTED AND WIRED BY OTHERS. (LIGHT SWITCH (12) AMPS MAX).
 NOTE: SMARTAP+ REFRIGERATION REQUIRES TWO SEPARATE POWER SOURCES, ONE TO THE CONDENSING UNIT AND ONE TO THE SMARTAP+ EVAPORATOR.

IMPORTANT - PLEASE READ
 THESE DRAWINGS ARE NOT TO BE CONSIDERED AS APPROVED BY LOCAL OR STATE BUILDING AUTHORITIES. THEY HAVE BEEN PREPARED SOLELY FOR THE GUIDANCE OF REGISTERED ARCHITECTS AND ENGINEERS, AND FOR THE ASSISTANCE OF LOCAL BUILDING OFFICIALS. THE USER OF THESE DRAWINGS SHALL BE RESPONSIBLE FOR OBTAINING ALL NECESSARY PERMITS AND FOR THE PROTECTION OF THE PUBLIC. THE USER SHALL BE RESPONSIBLE FOR THE PROTECTION OF THE PUBLIC. THE USER SHALL BE RESPONSIBLE FOR THE PROTECTION OF THE PUBLIC.



SECTION VIEW
 THRU ENTRANCE DOOR
 SCALE: 3/8" = 1'-0" SHEET 2 OF 2

RESTRICTED, CONFIDENTIAL DOCUMENT.
 THIS DRAWING AND ALL INFORMATION SHOWN HEREON IS THE PROPERTY OF BALLY. IT IS TO BE USED ONLY FOR THE PROJECT AND SITE SPECIFICALLY IDENTIFIED ABOVE. NO PART OF THIS DRAWING IS TO BE REPRODUCED, COPIED, OR TRANSMITTED IN ANY FORM OR BY ANY MEANS, WITHOUT THE WRITTEN CONSENT OF BALLY. BALLY REPRESENTED BOXES INC.


SIGNED APPROVAL
 SIGNED _____
 DATE _____
 PLEASE READ

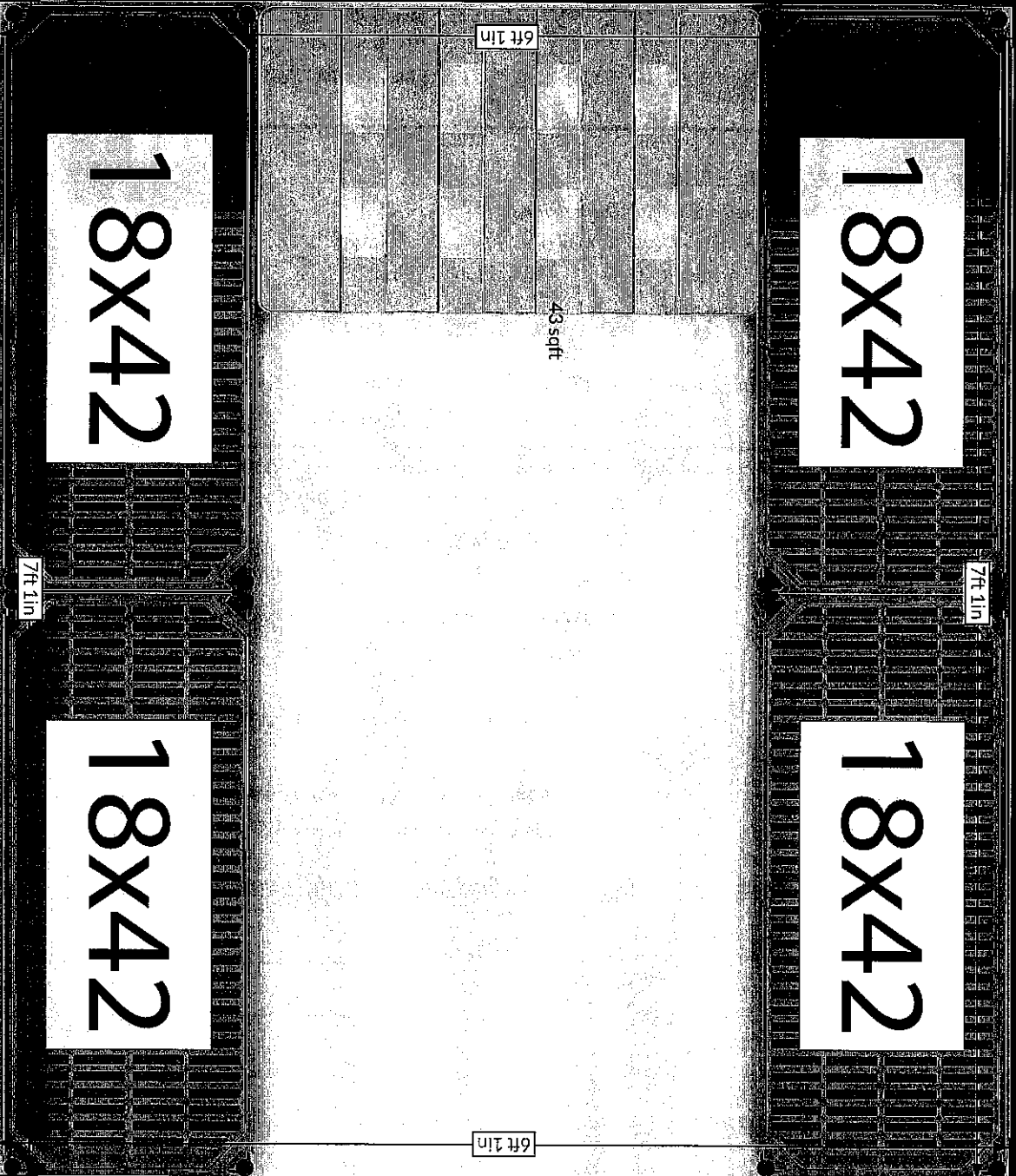
DESCRIPTION
 REV _____
 DATE _____
 BY _____

FOR CLINTON ELEMENTARY SCHOOL
 LANCASTER, SC
 DRAWING NO. 2760G
 DATE 09/08/22
 DRAWN BY RCB
 CHECKED BY _____
 DATE _____

SPECIFICATIONS
 7'-9" X 6'-9 1/2" X 8'-6"
 INSTALLATION
 - INDOOR
 - LOADING HEIGHT - AT LEAST 18" OF OPEN SPACE MUST BE MAINTAINED BETWEEN TOP OF PRODUCT AND CEILING PANELS
 INSULATION
 - FLOURED IN-PLACE POLYURETHANE FOAM
 - BALLY PANELS AND DOORS ARE CERTIFIED COMPLIANT WITH CURRENT FEDERAL DOE REGULATIONS FOR WALK IN COOLERS & FREEZERS
 - BALLY PANELS AND DOORS EXCEED MINIMUM R-VALUES* FOR COOLERS (MINIMUM R-25, EXCLUDING FLOORS), AND FREEZERS (MIN. R-32, EXCEPT FLOORS, WHICH ARE MIN. R-28). *WHEN TESTED PER ASTM C518 TO FEDERAL REG. 431.304
 EXTERIOR FINISH
 - EMBOSSED GALVALUME
 INTERIOR FINISH
 - EMBOSSED GALVALUME
 FLOOR FINISH
 - (INTERIOR) 1/8" ALUMINUM DI W/ 1/2" PLYWOOD UNDERLAY
 - (EXTERIOR) EMBOSSED GALVALUME
 DOORS/ACCESSORIES
 - (1) 36" X 78" RIGHT SWING HINGED WALK-IN DOOR
 - SUPERDOOR 3RD HINGE, DT INT & EXT 30"
 - PRP
 - STRIP CURTAIN
 - EXTERIOR RAMP
 REFRIGERATION - BY BALLY (CONDENSING UNIT MOUNTED OUTDOORS)

| UNIT NO. | SIZE | MODEL NUMBER | CONDENSING UNIT | DOOR TYPE | INSULATION | FINISH | PRICE |
|----------|-----------|-------------------|-----------------|--------------------|---|--------------------|----------|
| 1 | 36" X 78" | BLP207-LE-S20-SV+ | CONDENSING UNIT | RIGHT SWING HINGED | 1/8" ALUMINUM DI W/ 1/2" PLYWOOD UNDERLAY | EMBOSSED GALVALUME | 8,211.00 |
| 2 | 36" X 78" | BLP207-LE-S20-SV+ | CONDENSING UNIT | RIGHT SWING HINGED | 1/8" ALUMINUM DI W/ 1/2" PLYWOOD UNDERLAY | EMBOSSED GALVALUME | 8,211.00 |
| 3 | 36" X 78" | BLP207-LE-S20-SV+ | CONDENSING UNIT | RIGHT SWING HINGED | 1/8" ALUMINUM DI W/ 1/2" PLYWOOD UNDERLAY | EMBOSSED GALVALUME | 8,211.00 |

| Item | Qty | Description |
|---------|--------|---|
| Freezer | 16 ea | Shelving, with Metal Frame |
| | | Metro PR1842NK3 (270.8 lbs total. Class: 70. Cube: 16.85. Packed: 1 ea) |
| | |  Super Erecta Pro™ Shelf, 42"W x 18"D, removable polymer shelf mat, Metroseal 3™ epoxy-coated frame, built-in Microban product protection, split sleeves, attaches to Super Erecta® round posts, NSF |
| | 16 ea; | 74PK3 Super Erecta® SiteSelect™ Post, 74-1/2"H, adjustable leveling bolt, posts are grooved at 1" increments & numbered at 2" increments, double grooved every 8", Metroseal 3 Green epoxy coated corrosion-resistant finish with Microban® antimicrobial protection |
| | 1 ea; | HP2236PD Metro Bow-Tie™ Dunnage Rack, 22" x 36" x 12"H, slotted, with separate polymer tie for joining racks, corrosion proof polymer construction, NSF |





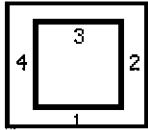
Bally Refrigerated Boxes, Inc.
Morehead City, NC 28557 (800) 242-2559

Last Update: 10/12/2022
Revisor: Laura Craig
To: All Bidders

Quote No: 2759-001-R05-LC
Item No:
Job Name: Erwin Elementary
Date: 10/12/2022 **PVD:** 10/3/2022
From: Laura Craig
 Swanson-Girard & Associates
 10420 Southern Loop Blvd
 Pineville, NC 28134
Phone: **Fax:** (704)521-8801

Attn:

Box Shape



Outdoor Stand Alone

NSF APPROVED

Bally Prefabricated Exterior Dimensions:

24'-0½"(l) x 11'-7"(w) x 8'-6"(h)
 2 Compartments 1 Tiers With Floor 4" Floor
 Ceiling: Single Span

Panel Thickness:

4 in. Exterior Vertical Used (7'-10") with 4 in. Partition, 4 in. Floor, 4 in. Ceiling

Details on Following Page(s)

NOTE: Freight shown is an estimate based on current published rates. A fuel surcharge will be added and changes continuously.

Walk-in Price:

Refrigeration Price:

Total Price (FOB Plant) (Less Refrig. Warranties):

Estimated Freight:

Optional Warranties: (not included in Total Price)

(1) 00 3/4 HP System (5 yr. Parts , 1 yr. Labor)

(1) 04.5 HP Complete (5 Yr, Parts Warranty)

Optional Accessories: (not included in Total Price)

(1) Locking Bar with Tamperproof Screws

Payment terms and conditions are available upon request.

This quotation was based on information supplied to us which may or may not have been complete. Customer is responsible for reviewing this quotation for exclusions, deviations, and any improper information supplied to us.

Signature: _____

Laura Craig

Date: _____

We are not responsible for the selection or recommendation of the panel finish for any building or walk-in application.

NOTE: Quoting Bally standard specifications, sizes, and finishes.

This quotation is good through 11/26/2022

Act of 2007 (Public Law 110-140) Title III; Section 312, regarding Walk-In Coolers and Walk-In Freezers.



Bally Refrigerated Boxes, Inc.
Morehead City, NC 28557 (800) 242-2559

Last Update: 10/12/2022
Revisor: Laura Craig
To: All Bidders

Quote No: 2759-001-R05-LC
Item No:
Job Name: Erwin Elementary
Date: 10/12/2022 **PVD:** 10/3/2022
From: Laura Craig
 Swanson-Girard & Associates
 10420 Southern Loop Blvd
 Pineville, NC 28134

Phone: **Fax:** (704)521-8801

Outdoor Stand Alone

NSF APPROVED

Bally Prefabricated Exterior Dimensions:

24'-0½"(l) x 11'-7"(w) x 8'-6"(h)
 2 Compartments 1 Tiers With Floor 4" Floor
 Ceiling: Single Span

Panel Thickness:

4 in. Exterior Vertical Used (7'-10") with 4 in. Partition, 4 in. Floor, 4 in. Ceiling

Details and specifications for Quote No: 2759-001-R05-LC

Comments:

Base Finish

Vertical and Ceiling Panels: Embossed Galvalume (26 GA)

Special Finishes:

- Exterior Door - Embossed Tan
- Exterior Door Frame - Embossed Tan
- Exterior Floor - Embossed Tan
- Interior Floor - Aluminum Treadplate .125" Thick
- Wall 1 - Exterior Verticals - Embossed Tan
- Wall 2 - Exterior Verticals - Embossed Tan
- Wall 3 - Exterior Verticals - Embossed Tan
- Wall 4 - Exterior Verticals - Embossed Tan

Doors/Openings:

- Wall 1 Door 1 (1) 36" x 78" Hinged Door In a 46"
- Wall 1 Door 1 (1) Ext.Alum Diam/Tread Ramp (30-36" Door)
- Wall 1 Door 1 (1) Strip Curtain (36" Door and Under)
- Wall 1 Door 1 (1) Super Door 36" Wide and Under, 30" High
- Wall 1 Door 2 (1) 36" x 78" Hinged Door In a 46"
- Wall 1 Door 2 (1) Bally Standard Pressure Relief Port (< 400 sq/ft)
- Wall 1 Door 2 (1) Ext.Alum Diam/Tread Ramp (30-36" Door)
- Wall 1 Door 2 (1) Strip Curtain (36" Door and Under)
- Wall 1 Door 2 (1) Super Door 36" Wide and Under, 30" High

Accessories and Extras:



Bally Refrigerated Boxes, Inc.
Morehead City, NC 28557 (800) 242-2559

Last Update: 10/12/2022
Revisor: Laura Craig
To: All Bidders

Quote No: 2759-001-R05-LC
Item No:
Job Name: Erwin Elementary
Date: 10/12/2022 **PVD:** 10/3/2022
From: Laura Craig
 Swanson-Girard & Associates
 10420 Southern Loop Blvd
 Pineville, NC 28134
Phone: **Fax:** (704)521-8801

Attn:

- (4) 48" LED KEIL 48x754-CL-N Light
 - 40° F to 100° F(Range)
- (74) L/F REB(Reinforced Exterior Bottom)'s
- (300) S/F Outdoor Membrane Roof
 40 mil standard
- (300) S/F Tapered Insul 1/8" on 12"
- (64) Shear Plates (Galvanized)
- (1) The loads are 20 Lbs psf live and 114 Mph RC II Wind. The customer must verify that the loads shown on this quote comply with local building codes.
- (8) WA-3 Wall Anchor
 Outside Vertical 4"
- (30) WA-4 Wall Anchor
 Outside Corner 4"

Floor Options:

- (300) S/F 1/2" Plywood Foamed in Panel

Refrigeration:

- (1) BEZA 007 H8 HT3DB (208-230/3/60) w/ smart speed
 Scroll Unit 7190 BTU
- (1) BEZA 045 L8 HT3DN (208-230/3/60)
 Includes: Suction Accumulator
- (1) BLP107-MA-S1D 115/1/60
 1 Fan 7000 BTU/h
- (1) BLP316LE-S2D 208-230/1/60
 3 Fan 16200 BTU/h
- (1) Refrigeration is calculated for standard use at a box temperature of 35° F. for the cooler and -10° F. for the freezer with a condensing unit ambient of 105° F.
- (1) The refrigeration is calculated for a line run of less 50 ft.
- (1) Time Clock 8145 (shipped loose) 115/1/60

Estimated Shipping:

Weight: 8,456.66
Destination: Lancaster, SC, 297**



Bally Refrigerated Boxes, Inc.
Morehead City, NC 28557 (800) 242-2559

Last Update: 10/12/2022
Revisor: Laura Craig
To: All Bidders

Quote No: 2759-001-R05-LC
Item No:
Job Name: Erwin Elementary
Date: 10/12/2022 **PVD:** 10/3/2022
From: Laura Craig
 Swanson-Girard & Associates
 10420 Southern Loop Blvd
 Pineville, NC 28134

Phone: **Fax:** (704)521-8801

Deviations (Alternates, Remarks, Clarifications, Etc.):

Bally Floor Panels are capable of supporting up to 800 lbs. Per Sq/Ft uniformly distributed stationary loading. Bally does not recommend the use rolling loads of heavy carts, pallet jacks or fork lifts on top of the floors. Warranty for floors subjected to this type of use would not be covered by Bally.

Quoting Bally Standard Pre-Assembled Remote Refrigeration

Exclusions (Items Not Supplied by Bally):

- | | |
|---|--|
| <input checked="" type="checkbox"/> Shelving, Racks, Interior Accessories | <input checked="" type="checkbox"/> Caulking and Sealants |
| <input type="checkbox"/> Labor on Warranties | <input type="checkbox"/> Refrigeration Systems |
| <input checked="" type="checkbox"/> Alarm Systems | <input checked="" type="checkbox"/> Refrigeration Accessories |
| <input checked="" type="checkbox"/> Supervision | <input checked="" type="checkbox"/> Closure Panel and Trim |
| <input checked="" type="checkbox"/> Tubing, Wiring for Rfg. Equipment | <input checked="" type="checkbox"/> Sleeves, Penetrations, Escutcheon Plates |
| <input checked="" type="checkbox"/> Compressor Rack | <input checked="" type="checkbox"/> Floor Insulation and Vapor Barrier |

Cancelled Orders: Cancelled unshipped standard walk-ins will be charged a 30% restocking fee plus the cost of special panels. Cancelled refrigeration systems will be charged a 30% restocking fee and the cost of any freight accrued. Buy-out items will be charged a 25% restocking fee plus any freight accrued.

Agency Ratings: Bally units comply or surpass applicable Flame Spread-25, UL, UL 723, & NSF standards in a manner conforming to ASTM E-84, and Factory Mutual standards.

Quotation Limitations: This quotation was based upon the specifications given to Bally which may possibly be incomplete. Bally is not responsible for items missing from the quotation due to incomplete or excluded items in the specifications received from the customer. The customer is responsible for reviewing the quotation for omissions or deviations from the specifications given to Bally. All portions of the quotation are subject to revision upon receipt of detailed specifications or if changes are made following the delivery of the original quotation. Quotations expire on the date indicated on Page 1 of the Quote. Approval drawings must be returned within 60 days of receipt of the purchase order. The order must ship within the agreed upon time frames or current lead times, but no later than 7 months. Any deviations to this quotation (dimensions or specification changes) will require updated pricing.

Panel Construction: Bally Panels are manufactured with environmentally friendly HFC 245-FA polyurethane foam. This polyurethane foam offers the highest thermal insulation value and the most energy efficiency per cubic inch in comparison to similar foams. It has a zero Ozone Depletion Potential (ODP) and a low Global Warming Potential (GWP). It is not considered a Volatile Organic Compound (VOC) in the US. Standard 4" Bally panels meet the 2009 Federal Energy Standards.

Refrigerants: Unless otherwise specified, refrigeration systems are quoted with environmentally friendly HFO R448A refrigerant. It has a Low Global Warming Potential (GWP) and the EPA lists it as an acceptable substitute for R404A and other high GWP refrigerants.

Automatic Door Closers: Bally includes automatic door closers and spring loaded hinges on all doors 42" wide and smaller as a standard feature with no additional charge that meet the 2009 Federal Energy Standards.

Motors: Bally units are quoted with EC and PSC motors in compliance with federal energy standards, for increased energy savings.

Lighting: Bally units are quoted with lighting in compliance with federal Energy Standards for increased energy savings.

Optional Features: Bally offers additional optional energy-saving features such as Walk-In Alarm & Light Management systems that comply or surpass the 2009 Federal energy regulations.



Bally Refrigerated Boxes, Inc.
Morehead City, NC 28557 (800) 242-2559

Last Update: 10/12/2022
Revisor: Laura Craig
To: All Bidders

Quote No: 2759-001-R05-LC
Item No:
Job Name: Erwin Elementary
Date: 10/12/2022 **PVD:** 10/3/2022
From: Laura Craig
 Swanson-Girard & Associates
 10420 Southern Loop Blvd
 Pineville, NC 28134

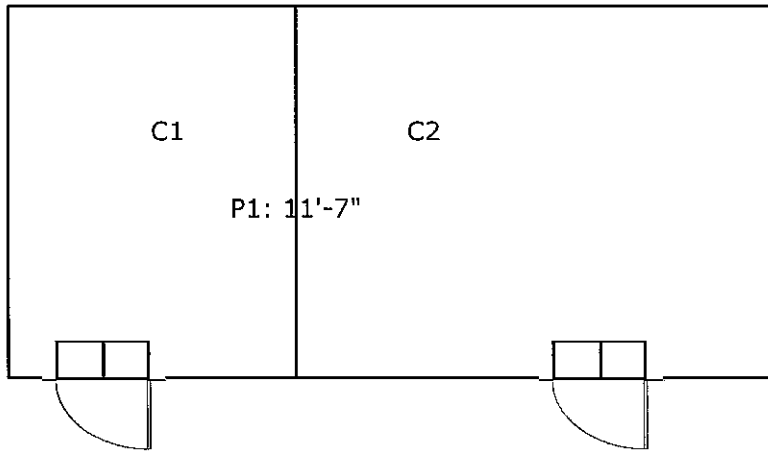
Attn:

Phone: **Fax:** (704)521-8801

This drawing is for reference purposes only and it not intended to be a formal scale model.

w3: 24'-0½"

w4: 11'-7"

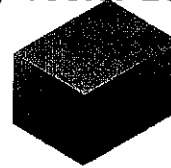


w2: 11'-7"

w1: 24'-0½"

DOOR 1: Wall1 36" x 78" Hinged Door In a 46" Offset:4'-6" Hinge:Right Orientaion:Regular
 DOOR 2: Wall1 36" x 78" Hinged Door In a 46" Offset:20'-0" Hinge:Right Orientaion:Regular
 PARTITION 1: Wall 1 Offset:9'-0" from wall 4 Connect

Erwin Elementary Cooler LOAD CALCULATION



| COOLING REQUIREMENTS | | | | | | | | | |
|--|---|--------------------|---|--------------------------|------------------------|---------------------|----------------|----------------|------------------------|
| Application | General Walk-in Cooler | | | Location | Outdoor Warm | | | | |
| Internal Temp | 35 °F | Internal RH | 84% | External Temp | 95 °F | External RH | 55% | | |
| Wall Load | 1,091 BTUH | Infiltration | 1,306 BTUH | Products | 550 BTUH | Miscellaneous | 549 BTUH | | |
| | 31% | | 37% | | 16% | | 16% | | |
| WALL, FLOOR AND CEILING LOADS | | | | | | | | | |
| Section | Construction | Thickness (in) | K Factor | R Value | Ext Temp (°F) | Dim 1 (ft) | Dim 2 (ft) | Area (ft²) | Load (BTUH) |
| Rear | Urethane, Standard panels | 4.000 | 0.14 | 28.11 | 35.0 | 11.58 | 8.50 | 98 | |
| Right End | Urethane, Standard panels | 4.000 | 0.14 | 28.11 | 99.0 | 8.71 | 8.50 | 55 | 124 |
| | Door | | | 15.00 | 99.0 | 3.00 | 6.50 | 20 | 83 |
| Front | Urethane, Standard panels | 4.000 | 0.14 | 28.11 | 99.0 | 11.58 | 8.50 | 98 | 224 |
| Left End | Urethane, Standard panels | 4.000 | 0.14 | 28.11 | 99.0 | 8.71 | 8.50 | 74 | 169 |
| Floor | Insulated Floor - Panels On Concrete On Grade | 10.000 | 0.31 | 32.32 | | 11.58 | 8.71 | 101 | 244 |
| Ceiling | Urethane, Standard panels | 4.000 | 0.14 | 28.11 | 104.0 | 11.58 | 8.71 | 101 | 248 |
| VOLUME (ft³) | | 857 | TOTAL WALL, FLOOR AND CEILING LOAD | | | | 1,091 | | |
| INFILTRATION LOAD : ESTIMATED BY DOORS AND OPENINGS | | | | | | | | | |
| Quantity | Door or Opening Type | Height (in) | Width (in) | External Temp (°F) | External Rh (%) | Open Time (hrs) | Curtains | Load (BTUH) | |
| 1 | Door | 78.00 | 36.00 | 99.0 | 55.0 | 0.18 | None | 1,306 | |
| TOTAL INFILTRATION LOAD ESTIMATED BY DOORS AND OPENINGS | | | | | | | | 1,306 | |
| PRODUCT LOADS | | | | | | | | | |
| Type | Weight (lb) | Enter Temp (°F) | Final Temp (°F) | Pull Down (hrs) | Load (BTUH) | | | | |
| General, Mixed Products, Approximation | 1,715 | 45.0 | 35.0 | 24 | 550 | | | | |
| TOTAL PRODUCT WEIGHT (lbs) | | 1,715 | TOTAL PRODUCT LOAD | | 550 | | | | |
| MISCELLANEOUS LOADS | | | | | | | | | |
| Quantity | Description | Power | Units | Run Time (hrs) | Load (BTUH) | | | | |
| | LIGHTING | 1 | W/ft² | 24 | 344 | | | | |
| 1 | EVAPORATOR MOTORS | 60 | W | 24 | 205 | | | | |
| TOTAL MISCELLANEOUS LOAD | | | | | | | | 549 | |
| SYSTEM DESIGN SUMMARY | | | | | | | | | |
| Design Load (BTUH) | Safety Factor | Safety Load (BTUH) | Run Time (Hours) | Capacity Required (BTUH) | Refrigerant | Line Frequency (Hz) | Design TD (°F) | Line Loss (°F) | Condenser Ambient (°F) |
| 3,496 | 10% | 3,846 | 16 | 5,769 | R448A | 60 | 10.1 | 0.5 | 105 |
| SYSTEM EQUIPMENT SELECTION | | | | | | | | | |
| Equipment Type | Quantity | Model Number | Description | | | Voltage | Rating (BTUH) | | |
| Condensing Unit | 1 | BEZA007H8-HT3D | EZ-Line Scroll Condensing Units-Air | | | 208-230/3/60 | 6,591 | | |
| Evaporator | 1 | BLP107MA-S1D | Low Profile Evaporator | | | 115/1/60 | 7,106 | | |
| SYSTEM BALANCE | | | | | | | | | |
| Fan Load (BTUH) | Suction Temp (°F) | | Evaporator TD (°F) | | System Capacity (BTUH) | | | | |
| | 25 | | 9.5 | | 6,672 | | | | |



NATIONAL REFRIGERATION AND AIR CONDITIONING CANADA CORP.
 159 ROY BLVD, PO BOX 2020
 BRANTFORD, ON
 CANADA N3T 5Y6

BEZA007H8-HT3D

**EZ-LINE SCROLL
 CONDENSING UNITS-AIR**

PURCHASER : **Erwin Elementary** SUBMITTED BY : **Laura Craig**
 PROJECT : **Erwin Elementary** DATE : **11 Oct 2022**
 ORDER # : **06339.36374.00469-A00** ITEM # : **1**
 QUOTE # : **Q11EULCA-A** ID # :
 PURCHASER'S PO # : TAGGING :

MODEL FEATURES

- 3/8" Tubing coil construction (reduces refrigerant operating charge)
- Anti-short cycle time delay
- Adjustable pressure fan cycling control on 2 fan models only
- Copper tubing secured with cushion clamps
- Crankcase heater
- Discharge line temperature sensor
- Fan Guard
- Fan motors are inherently protected with internal overloads
- Pre-formed piping
- Receiver with fusible plug and liquid shut off valve
- Suction Service valve
- Adjustable flooded head pressure control (unless otherwise indicated)
- Units are shipped with Helium holding charge
- Weatherproof electrical control box with compressor contactor and fused control circuit
- Welded hermetic Scroll compressor
- Adjustable low pressure control with flex hose / fixed high pressure control
- ECM with SmartSpeed Technology
- High efficiency enhanced copper tube and aluminium fin coil design
- Compatible with Low GWP Refrigerants
- Outdoor weatherproof pre-painted steel cabinet

MODEL OPTIONS (* = Shipped Loose)

- | | | |
|--|---|--|
| <p>OPTION PACKAGES</p> <p><input checked="" type="checkbox"/> Small B (Good@Warm/Moderate)</p> <p><input type="checkbox"/> Small N (Better@Warm/Moderate)</p> <p><input type="checkbox"/> Small P (Best@Warm/Moderate)</p> <p><input type="checkbox"/> Small D (Good@Moderate/Cold)</p> <p><input type="checkbox"/> Small J (Better@Moderate/Cold)</p> <p><input type="checkbox"/> Small Q (Best@Moderate/Cold)</p> <p><input type="checkbox"/> Small K</p> <p><input type="checkbox"/> Small H</p> <p>115V Control Circuit</p> <p><input type="checkbox"/> Johnson Dual with flex hose</p> <p><input type="checkbox"/> Separate High/Low</p> <p><input type="checkbox"/> Separate High/Low: MAN Reset on HP</p> <p>BALL VALVE</p> <p><input type="checkbox"/> *Liquid Line</p> <p><input type="checkbox"/> Liquid Line</p> <p><input type="checkbox"/> *Suction Line</p> <p><input type="checkbox"/> Suction Line</p> <p>CAPACITY CONTROL - HOT GAS BYPASS</p> <p><input type="checkbox"/> To Inlet of Evaporator</p> <p><input type="checkbox"/> To Suction Line</p> <p>Compressor Circuit Breaker</p> <p><input type="checkbox"/> CONDENSING UNIT PRISON PACKAGE</p> <p><input type="checkbox"/> Tamper Proof Screws</p> <p><input type="checkbox"/> Crankcase Pressure Regulator</p> <p>CONTACTORS</p> <p><input type="checkbox"/> 30A Contactor</p> <p><input type="checkbox"/> 40A Contactor</p> <p><input type="checkbox"/> 60A Contactor</p> | <p>DEFROST KIT (USE W/KE2 EVAP EFF)</p> <p><input type="checkbox"/> Up to 30A per Evap</p> <p><input type="checkbox"/> 35A to 50A per Evap</p> <p><input type="checkbox"/> Over 50A per Evap</p> <p><input type="checkbox"/> Discharge Air Hood</p> <p><input type="checkbox"/> Discharge Line Check Valve</p> <p>DISCONNECT SWITCH</p> <p><input type="checkbox"/> Fused</p> <p><input type="checkbox"/> Non-Fused</p> <p><input type="checkbox"/> EC FAN MOTORS + SPEED CONTROLLER</p> <p><input type="checkbox"/> All Motors Variable Speed - 230V Units</p> <p>ELECTRONIC PRESSURE CONTROL</p> <p><input type="checkbox"/> Low Pressure Control</p> <p><input type="checkbox"/> High Pressure Control</p> <p><input type="checkbox"/> Export Crating</p> <p><input type="checkbox"/> EXTENDED 4-YEAR COMPRESSOR WARRANTY</p> <p><input type="checkbox"/> Copeland</p> <p><input type="checkbox"/> Extended Leg Kit</p> <p>COIL COATING</p> <p><input type="checkbox"/> E-Coat</p> <p>FIN MATERIAL</p> <p><input type="checkbox"/> Gold Coat Fins</p> <p><input type="checkbox"/> Copper Fins</p> <p><input type="checkbox"/> Hail Guard for Condenser</p> <p><input type="checkbox"/> Heated and Insulated Receiver</p> <p>HOUSING MATERIAL</p> <p><input type="checkbox"/> Stainless Steel</p> <p><input type="checkbox"/> Insulated Suction Line</p> | <p>LIQUID LINE FILTER + SIGHT GLASS</p> <p><input checked="" type="checkbox"/> Sealed</p> <p><input type="checkbox"/> Replaceable</p> <p><input type="checkbox"/> Liquid Line Lock-Out Relay</p> <p>LIQUID LINE SOLENOID VALVE</p> <p><input type="checkbox"/> *Standard 230V Coil</p> <p><input type="checkbox"/> *Standard 115V Coil</p> <p>OIL SEPARATOR</p> <p><input type="checkbox"/> With Oil Filter and Solenoid</p> <p><input type="checkbox"/> One Time Pump Down</p> <p><input type="checkbox"/> Oversized Receiver</p> <p>PHASE / VOLTAGE MONITOR</p> <p><input type="checkbox"/> 3-Lead</p> <p><input type="checkbox"/> 6-Lead (MotorSaver455)</p> <p><input type="checkbox"/> Pump Down Toggle Switch</p> <p><input type="checkbox"/> QuickVac Valves</p> <p><input type="checkbox"/> Receiver Inlet Ball Valve</p> <p><input type="checkbox"/> Single Point Electrical SUCTION ACCUMULATOR</p> <p><input type="checkbox"/> With Heat Exchanger</p> <p><input type="checkbox"/> Without Heat Exchanger</p> <p>SUCTION FILTER</p> <p><input type="checkbox"/> Sealed Type</p> <p><input type="checkbox"/> Replaceable Core</p> <p>TIME CLOCK</p> <p><input type="checkbox"/> Paragon 8145 Style</p> <p><input type="checkbox"/> *230V Paragon 8145 Style</p> <p><input checked="" type="checkbox"/> *115V Paragon 8145 Style</p> <p><input type="checkbox"/> Wind Guard</p> <p><input type="checkbox"/> Less Flooding Valve(s)</p> |
|--|---|--|

| | | | | | | | | | | | |
|--------------|-------|--------------------|-------------|--------|-----|---------------|------|--------------|------|-----------|--|
| VOLTAGE | | SYSTEM REFRIGERANT | | RATING | | SUCTION TEMP | | AMBIENT TEMP | | CAPACITY | |
| 208-230/3/60 | | R448A | | 0.7Hp | | 25 °F | | 105 °F | | 6672 BTUH | |
| FANS | | | COMPRESSOR | | | CIRCUIT TOTAL | | | | | |
| QTY | POWER | FLA/FAN | TYPE | QTY | RLA | LRA | AMPS | WATTS | MCA† | MOP‡ | |
| 1 | 100W | 1 | ZB06KAE-TF5 | 1 | 4.8 | 37.8 | 5.8 | | 7 | 15 | |
| LIQUID | | 3/8 in | | SOUND | | - | | REC CAPACITY | | 5 lb | |
| SUCTION | | 5/8 in | | WEIGHT | | 183 lb | | REF CHARGE | | 3 lb | |

NOTES:
 † MCA.. Minimum Circuit Ampacity, ‡ MOP.. Maximum Overcurrent Protection
 MCA & MOP are for the condensing unit ONLY. Single point connections WILL show different on dataplate.
 AWEF = 7.6 for R404A/R507/R407A/R448A/R449A. Non-compliant DOE NRCAN model for all other refrigerants



APPROVED BY : _____ **DATE :** _____

Approval of this drawing signifies that the equipment is acceptable under the provision of the job specifications. Any change made hereon by any person whomsoever subject to acceptance by NATIONAL REFRIGERATION at its home office.



**NATIONAL REFRIGERATION AND
AIR CONDITIONING CANADA CORP.**

159 ROY BLVD, PO BOX 2020
BRANTFORD, ON
CANADA N3T 5Y6

BEZA007H8-HT3D

**EZ-LINE SCROLL
CONDENSING UNITS-AIR**

PURCHASER :

SUBMITTED BY : **Laura Craig**

PROJECT : **Erwin Elementary**

DATE : **11 Oct 2022**

ORDER # : **06339.36374.00469-A00**

ITEM # : **1**

QUOTE # : **Q11EULCA-A**

ID # :

PURCHASER'S PO # :

TAGGING :

SELECTED OPTION DESCRIPTIONS

Liquid Line Filter + Sight Glass - Sealed

Sporlan C Series with ODF solder connections and Sporlan SA moisture indicator factory installed in liquid line.

Option Packages - Small B (Good@Warm/Moderate)

LLFD+SG

Time Clock - 115V Paragon 8145 Style

115V Defrost timer is time initiated, temperature or pressure terminated with a timed failsafe. Timer is shipped loose in a box for field installation.

Approval of this drawing signifies that the equipment is acceptable under the provision of the job specifications. Any change made hereon by any person whomsoever subject to acceptance by NATIONAL REFRIGERATION at its home office.



NATIONAL REFRIGERATION AND AIR CONDITIONING CANADA CORP.

159 ROY BLVD, PO BOX 2020
BRANTFORD, ON
CANADA N3T 5Y6

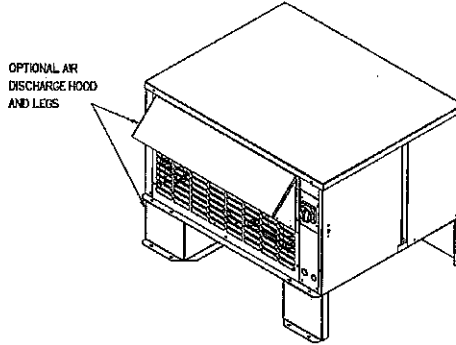
Order Item No: 1
BEZA007H8-HT3D
EZ-LINE SCROLL
CONDENSING UNITS-AIR

NATIONAL REFRIGERATION will furnish equipment in accordance with this drawing and specifications, and subject to its published warranty. Approval of this drawing signifies that the equipment is acceptable under the provision of the job specifications. Any change made hereon by any person whomsoever subject to acceptance by NATIONAL REFRIGERATION at its home office.

DATE : 11 Oct 2022
PURCHASER :
PROJECT : Erwin Elementary
SUBMITTED BY : Laura Craig

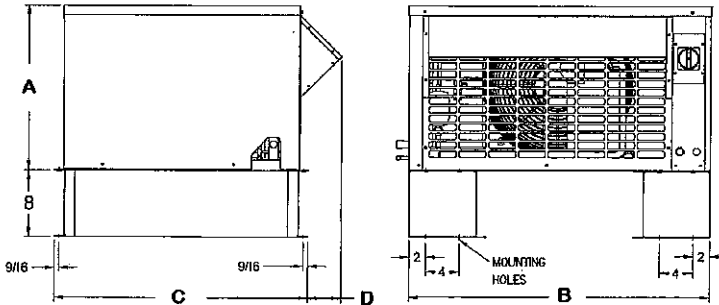
Dimensions shown are for standard unit less options.

| DIMENSIONS | |
|-------------|-----------|
| DIMENSION A | 19 3/8 in |
| DIMENSION B | 24 7/8 in |
| DIMENSION C | 30 3/8 in |
| DIMENSION D | 4 in |
| DIMENSION E | |
| DIMENSION F | |
| DIMENSION G | 0 in |
| DIMENSION H | |



| CONNECTIONS | |
|--------------------|--------|
| LIQUID | 3/8 in |
| SUCTION | 5/8 in |
| DRAIN | |
| WATER | |
| DISCHARGE | |
| PAN LOOP | |
| HOT GAS SIDE PORT | |
| HOT GAS INLET | |
| HOT GAS OUTLET | |
| OTHER | |
| SHIPPING WEIGHT | 183 lb |
| REFRIGERANT CHARGE | 3 lb |
| RECEIVER CAPACITY | 5 lb |

| APPROVALS | | | |
|-----------|--|--|--|
| | | | |
| | | | |



NOTES:

AWEF = 7.6 for R404A/R507/R407A/R448A/R449A. Non-compliant DOE NRCAN model for all other refrigerants

**NATIONAL REFRIGERATION AND AIR CONDITIONING CANADA CORP.**159 ROY BLVD, PO BOX 2020
BRANTFORD, ON
CANADA N3T 5Y6**BLP107MA-S1D****LOW PROFILE
EVAPORATOR**

PURCHASER :

SUBMITTED BY : **Laura Craig**PROJECT : **Erwin Elementary**DATE : **11 Oct 2022**ORDER # : **06339.36374.00469-A00**ITEM # : **3**QUOTE # : **Q11EULCA-A**

ID # :

PURCHASER'S PO # :

TAGGING :

MODEL FEATURES

- 3/8" Tubing coil construction (reduces refrigerant operating charge)
- Factory installed solenoid valve wire harness
- Heavy gauge textured aluminum cabinet construction resists scratches/corrosion
- Spacious piping end compartment allows for easy assembly

- Hinged drain pan with central universal drain connection (3/4" drain)
- Front access to spacious electrical and header compartments
- Schrader connection on suction header
- Attractive and durable high density polyethylene fan guards
- Ultra efficient Electronically Commutated Motor (ECM)

- ECM with SmartSpeed Technology
- High efficiency enhanced copper tube and aluminium fin coil design
- 6 FPI
- AWEF = 9.0
- Unit Cooler is AWEF/NRCAN compliant with R404A/R507/R448A/R449A/R407A/R407C

MODEL OPTIONS (* = Shipped Loose)**PRE-ASSEMBLED EVAP**

- SmartVap+ with EEV + SolvV
- 1 Sporlan TXV, LLSV,T-stat
- KE2 Evap Efficiency w/Sporlan EEV
- *KE2 Evap Efficiency w/Sporlan EEV

Aux Sideport Connector

- Painted White
- Stainless Steel

SENSORS FOR CPC BOARDS

- Coil Temp Sensor
- Return Air Temp Sensor

DEMAND DEFROST ELECTRONIC CONTROLLER

- KE2 Therm Evaporator Efficiency
- *KE2 Therm Evaporator Efficiency

Dual Circuit**ELECTRONIC CONTROLLER**

- KE2 Temp+Defrost
- SmartVap+ Control Board and Display

EXPANSION VALVE

- 1 Sporlan TXV
- Sporlan EEV
- EEV for SmartVap+

Evaporator Disconnect Switch**EVAPORATOR PRISON PACKAGE**

- Tamper Proof Screws

Export Crating**COIL COATING**

- E-Coat

FIN MATERIAL

- Gold Coat Fins
- Copper Fins

Insulated Drain Pan**KE2 THERM**

- *CAT5e Shielded Cable - 50ft w/connectors
- 40' Leads on Sensors + Transducers
- Ethernet Adapter Kit
- *Remote Combo Display
- *Liquid / Suction Heat Exchanger

LIQUID LINE SOLENOID VALVE

- 1 Sporlan
- Dual Voltage Coil 120-230V Field Wired

Nitrogen Charged and Sealed ROOM THERMOSTATS

- 1 Mechanical
- *Mechanical
- *Johnson A19ABC
- *Johnson A421ABC-02C
- Johnson A421ABC-02

Wire Fan Guards**REMOTE DEFROST PANEL**

- *230V Control
- *115V Control

INSTALLATION REQUIREMENTS

- 1 Minimum slope of 1" per foot on all drain lines
- 1 P-trap per evap required outside of box

| | | | | | | | | | |
|--|--------|--------------------|---------|--------------|------------|---------------|-----------|------|-----------|
| VOLTAGE | | SYSTEM REFRIGERANT | | AIR FLOW | EVAP. TEMP | BOX TEMP | CAPACITY | | |
| 115/1/60 | | R448A | | 680 CFM | 25.5 °F | 35 °F | 6672 BTUH | | |
| FANS | | | HEATERS | | | CIRCUIT TOTAL | | | |
| QTY | POWER | FLA/FAN | TYPE | QTY | AMPS | AMPS | WATTS | MCA† | MOP‡ |
| 1 | 0.07HP | 1 | | | | 1 | 60 | 1.3 | 15 |
| DISTRIBUTOR | 3/8 in | SOUND | - | REC CAPACITY | | | | | APPROVALS |
| SUCTION | 5/8 in | WEIGHT | 48 lb | REF CHARGE | 1 lb | | | | |
| NOTES: † MCA.. Minimum Circuit Ampacity, ‡ MOP.. Maximum Overcurrent Protection | | | | | | | | | |

APPROVED BY :

DATE :

Approval of this drawing signifies that the equipment is acceptable under the provision of the job specifications. Any change made hereon by any person whomsoever subject to acceptance by NATIONAL REFRIGERATION at its home office.



**NATIONAL REFRIGERATION AND
AIR CONDITIONING CANADA CORP.**
159 ROY BLVD, PO BOX 2020
BRANTFORD, ON
CANADA N3T 5Y6

BLP107MA-S1D

**LOW PROFILE
EVAPORATOR**

PURCHASER :

SUBMITTED BY : **Laura Craig**

PROJECT : **Erwin Elementary**

DATE : **11 Oct 2022**

ORDER # : **06339.36374.00469-A00**

ITEM # : **3**

QUOTE # : **Q11EULCA-A**

ID # :

PURCHASER'S PO # :

TAGGING :

SELECTED OPTION DESCRIPTIONS

Expansion Valve - Sporlan TXV

May be Type EBQ, S, SBF, O externally equalized thermostatic expansion valve. Valves are selected using the specified capacity and operating conditions of the refrigeration system as specified on the accompanying Certified Prints.

Installation Requirements - Minimum slope of 1" per foot on all drain lines

Bally recommends a minimum slope of 1" per foot on all drain lines.

Installation Requirements - P-trap per evap required outside of box

All evaporators must be trapped individually outside of the box to prevent vapor migration back to coil surface.

Liquid Line Solenoid Valve - Sporlan

Sporlan solenoid coil voltage matches evaporator voltage except when evaporator is 460V, then 230V solenoid coil is used. Exceptions must be clearly explained in the Notes of the option.

Pre-assembled Evap - Sporlan TXV, LLSV,T-stat

Option Package consists of factory installed Sporlan balance port TXV, Sporlan liquid line solenoid valve and Johnson Controls A19 Room thermostat.

Room Thermostats - Mechanical

Single stage temperature control with Single-Pole, Double-Throw (SPDT) mechanical switch. May be Johnson A19 or equal, Operating range of -30°F to +100°F. Adjustable differential of 3°F to 12°F. Factory installed and wired.

Approval of this drawing signifies that the equipment is acceptable under the provision of the job specifications. Any change made hereon by any person whomsoever subject to acceptance by NATIONAL REFRIGERATION at its home office.



**NATIONAL REFRIGERATION AND
AIR CONDITIONING CANADA CORP.**
159 ROY BLVD, PO BOX 2020
BRANTFORD, ON
CANADA N3T 5Y6

Order Item No: 3
BLP107MA-S1D
**LOW PROFILE
EVAPORATOR**

NATIONAL REFRIGERATION will furnish equipment in accordance with this drawing and specifications, and subject to its published warranty. Approval of this drawing signifies that the equipment is acceptable under the provision of the job specifications. Any change made hereon by any person whomsoever subject to acceptance by NATIONAL REFRIGERATION at its home office.

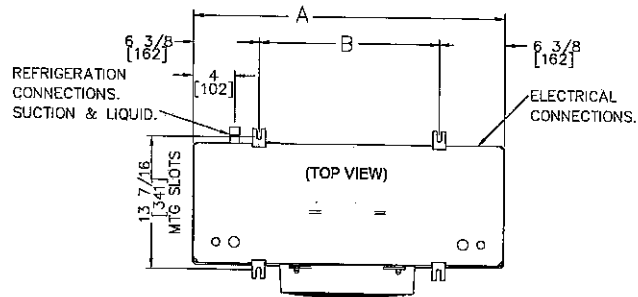
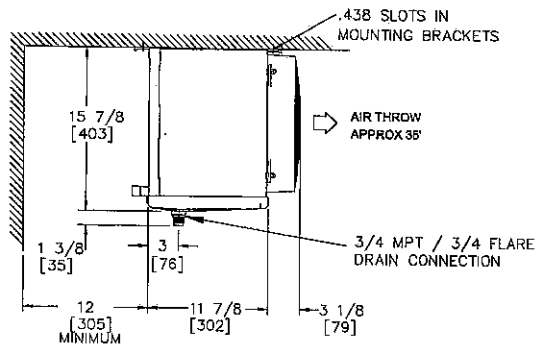
DATE : 11 Oct 2022
PURCHASER :
PROJECT : **Erwin Elementary**
SUBMITTED BY : **Laura Craig**

Dimensions shown are for standard unit less options.

| DIMENSIONS | |
|-------------|-----------|
| DIMENSION A | 30 1/4 in |
| DIMENSION B | 17 1/4 in |
| DIMENSION C | |
| DIMENSION D | |
| DIMENSION E | |
| DIMENSION F | |
| DIMENSION G | 0 in |
| DIMENSION H | |

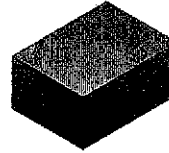
| CONNECTIONS | |
|--------------------|--------|
| DISTRIBUTOR | 3/8 in |
| SUCTION | 5/8 in |
| DRAIN | 3/4 in |
| WATER | |
| DISCHARGE | |
| PAN LOOP | |
| HOT GAS SIDE PORT | |
| HOT GAS INLET | |
| HOT GAS OUTLET | |
| OTHER | |
| SHIPPING WEIGHT | 48 lb |
| REFRIGERANT CHARGE | 1 lb |
| RECEIVER CAPACITY | |

| APPROVALS | | | |
|-----------|--|--|--|
| | | | |
| | | | |



NOTES:

Erwin Elementary Freezer LOAD CALCULATION



| COOLING REQUIREMENTS | | | | | | | | | |
|---|---|--------------------|---|---------------------------|-------------------|------------------------|----------------|----------------|------------------------|
| Application | General Walk-in Freezer | | | Location | | Outdoor Warm | | | |
| Internal Temp | -10 °F | Internal RH | 95% | External Temp | 95 °F | External RH | 55% | | |
| Wall Load | 3,079 BTUH | Infiltration | 3,070 BTUH | Products | 272 BTUH | Miscellaneous | 1,172 BTUH | | |
| | 41% | | 40% | | 4% | | 15% | | |
| WALL, FLOOR AND CEILING LOADS | | | | | | | | | |
| Section | Construction | Thickness (in) | K Factor | R Value | Ext Temp (°F) | Dim 1 (ft) | Dim 2 (ft) | Area (ft²) | Load (BTUH) |
| Rear | Urethane, Standard panels | 4.000 | 0.14 | 28.11 | 99.0 | 15.42 | 8.50 | 131 | 508 |
| Right End | Urethane, Standard panels | 4.000 | 0.14 | 28.11 | 99.0 | 11.58 | 8.50 | 98 | 382 |
| Front | Urethane, Standard panels | 4.000 | 0.14 | 28.11 | 99.0 | 15.42 | 8.50 | 112 | 433 |
| | Door | | | 15.00 | 99.0 | 3.00 | 6.50 | 20 | 141 |
| Left End | Urethane, Standard panels | 4.000 | 0.14 | 28.11 | 45.0 | 11.58 | 8.50 | 98 | 193 |
| Floor | Insulated Floor - Panels On Concrete On Grade | 10.000 | 0.31 | 32.32 | | 15.42 | 11.58 | 179 | 699 |
| Ceiling | Urethane, Standard panels | 4.000 | 0.14 | 28.11 | 104.0 | 15.42 | 11.58 | 179 | 724 |
| VOLUME (ft³) | | 1,518 | TOTAL WALL, FLOOR AND CEILING LOAD | | | | | 3,079 | |
| INFILTRATION LOAD : ESTIMATED BY VOLUME AND USAGE | | | | | | | | | |
| Box Usage | Internal Temp (°F) | Internal Rh (%) | External Temp (°F) | External Rh (%) | Ventilation (CFM) | Load (BTUH) | | | |
| Regular | -10 | 95 | 95 | 55 | | 3,070 | | | |
| PRODUCT LOADS | | | | | | | | | |
| Type | | | Weight (lb) | Enter Temp (°F) | Final Temp (°F) | Pull Down (hrs) | Load (BTUH) | | |
| General, Mixed Products, Approximation | | | 1,518 | 0.0 | -10.0 | 24 | 272 | | |
| TOTAL PRODUCT WEIGHT (lbs) | | | 1,518 | TOTAL PRODUCT LOAD | | | 272 | | |
| MISCELLANEOUS LOADS | | | | | | | | | |
| Quantity | Description | | | Power | Units | Run Time (hrs) | Load (BTUH) | | |
| | LIGHTING | | | 1 | W/ft² | 24 | 609 | | |
| 3 | EVAPORATOR MOTORS | | | 60 | W | 22 | 563 | | |
| TOTAL MISCELLANEOUS LOAD | | | | | | | 1,172 | | |
| SYSTEM DESIGN SUMMARY | | | | | | | | | |
| Design Load (BTUH) | Safety Factor | Safety Load (BTUH) | Run Time (Hours) | Capacity Required (BTUH) | Refrigerant | Line Frequency (Hz) | Design TD (°F) | Line Loss (°F) | Condenser Ambient (°F) |
| 7,593 | 10% | 8,353 | 18 | 11,137 | R448A | 60 | 10 | 0.5 | 105 |
| SYSTEM EQUIPMENT SELECTION | | | | | | | | | |
| Equipment Type | Quantity | Model Number | Description | | | Voltage | Rating (BTUH) | | |
| Condensing Unit | 1 | BEZA045L8-HT3D | EZ-Line Scroll Condensing Units-Air | | | 208-230/3/60 | 12,860 | | |
| Evaporator | 1 | BLP316LE-S2D | Low Profile Evaporator | | | 208-230/1/60 | 16,274 | | |
| SYSTEM BALANCE | | | | | | | | | |
| Fan Load (BTUH) | | Suction Temp (°F) | | Evaporator TD (°F) | | System Capacity (BTUH) | | | |
| | | -18.7 | | 8.2 | | 13,438 | | | |



**NATIONAL REFRIGERATION AND
AIR CONDITIONING CANADA CORP.**

159 ROY BLVD, PO BOX 2020
BRANTFORD, ON
CANADA N3T 5Y6

BEZA045L8-HT3D

**EZ-LINE SCROLL
CONDENSING UNITS-AIR**

PURCHASER :

SUBMITTED BY : **Laura Craig**

PROJECT : **Erwin Elementary**

DATE : **11 Oct 2022**

ORDER # : **06339.36374.00469-A00**

ITEM # : **4**

QUOTE # : **Q11EULCA-A**

ID # :

PURCHASER'S PO # :

TAGGING :

MODEL FEATURES

- 3/8" Tubing coil construction (reduces refrigerant operating charge)
- Anti-short cycle time delay
- Adjustable pressure fan cycling control on 2 fan models only
- Copper tubing secured with cushion clamps
- Crankcase heater
- Discharge line temperature sensor
- Fan Guard
- Fan motors are inherently protected with internal overloads
- Pre-formed piping
- Receiver with fusible plug and liquid shut off valve
- Suction Service valve
- Adjustable flooded head pressure control (unless otherwise indicated)
- Units are shipped with Helium holding charge
- Weatherproof electrical control box with compressor contactor and fused control circuit
- Welded hermetic Scroll compressor
- Adjustable low pressure control with flex hose / fixed high pressure control
- High efficiency enhanced copper tube and aluminium fin coil design
- Compatible with Low GWP Refrigerants
- Outdoor weatherproof pre-painted steel cabinet
- AWEF = 3.15

MODEL OPTIONS (* = Shipped Loose)

- OPTION PACKAGES**
- 1 Small B (Good@Warm/Moderate)
 - Small N (Better@Warm/Moderate)
 - Small P (Best@Warm/Moderate)
 - Small D (Good@Moderate/Cold)
 - Small J (Better@Moderate/Cold)
 - Small Q (Best@Moderate/Cold)
 - Small K
 - Small H
- ELECTRIC DEFROST KIT**
- 1 DFK-02
 - 115V Control Circuit
- ADJUSTABLE PRESSURE CONTROLS**
- Johnson Dual with flex hose
 - Separate High/Low
 - Separate High/Low: MAN Reset on HP
- BALL VALVE**
- *Liquid Line
 - Liquid Line
 - *Suction Line
 - Suction Line
- CAPACITY CONTROL - HOT GAS BYPASS**
- To Inlet of Evaporator
 - To Suction Line
- Compressor Circuit Breaker**
- Compressor Circuit Breaker
- CONDENSING UNIT PRISON PACKAGE**
- Tamper Proof Screws
- Crankcase Pressure Regulator**
- Crankcase Pressure Regulator
- CONTACTORS**
- 30A Contactor
 - 40A Contactor
 - 60A Contactor
- DEFROST KIT (USE W/KE2 EVAP EFF)**
- Up to 30A per Evap
 - 35A to 50A per Evap
 - Over 50A per Evap
 - Discharge Air Hood
 - Discharge Line Check Valve
 - Discharge Line Temperature Sensor
 - DISCONNECT SWITCH
 - Fused
 - Non-Fused
- EC FAN MOTORS + SPEED CONTROLLER**
- All Motors Variable Speed - 230V Units
 - SmartSpeed
- ELECTRONIC PRESSURE CONTROL**
- Low Pressure Control
 - High Pressure Control
- Export Crating**
- Export Crating
- EXTENDED 4-YEAR COMPRESSOR WARRANTY**
- Copeland
 - Extended Leg Kit
- COIL COATING**
- E-Coat
- FIN MATERIAL**
- Gold Coat Fins
 - Copper Fins
- Hail Guard for Condenser**
- Hail Guard for Condenser
- Heated and Insulated Receiver**
- Heated and Insulated Receiver
- HOUSING MATERIAL**
- Stainless Steel
- Insulated Suction Line**
- Insulated Suction Line
- LIQUID LINE FILTER + SIGHT GLASS**
- 1 Sealed
- LIQUID LINE FILTER + SIGHT GLASS Continued**
- Replaceable
 - Liquid Line Lock-Out Relay
 - LIQUID LINE SOLENOID VALVE
 - *Standard 230V Coil
 - *Standard 115V Coil
 - OIL SEPARATOR
 - With Oil Filter and Solenoid
 - One Time Pump Down
 - Oversized Receiver
 - PHASE / VOLTAGE MONITOR
 - 3-Lead
 - 6-Lead (MotorSaver455)
 - Pump Down Toggle Switch
 - QuickVac Valves
 - Receiver Inlet Ball Valve
 - Single Point Electrical
 - Sub Cooling Circuit
 - SUCTION ACCUMULATOR
 - With Heat Exchanger
 - Without Heat Exchanger
 - SUCTION FILTER
 - Sealed Type
 - Replaceable Core
 - TIME CLOCK
 - Paragon 8145 Style
 - *230V Paragon 8145 Style
 - *115V Paragon 8145 Style
 - Wind Guard
 - Less Flooding Valve(s)

| | | | | | | | | | | |
|--------------|--------------------|------------|--------------|--------------|---------------|-----|-----------|-------|------|------|
| VOLTAGE | SYSTEM REFRIGERANT | RATING | SUCTION TEMP | AMBIENT TEMP | CAPACITY | | | | | |
| 208-230/3/60 | R448A | 4.5Hp | -18.7 °F | 105 °F | 13438 BTUH | | | | | |
| FANS | | COMPRESSOR | | | CIRCUIT TOTAL | | | | | |
| QTY | POWER | FLA/FAN | TYPE | QTY | RLA | LRA | AMPS | WATTS | MCA† | MOP‡ |
| 1 | 400W | 2.1 | ZF13K4E-TF5 | 1 | 13.8 | 99 | 15.9 | | 19.4 | 30 |
| LIQUID | 1/2 in | SOUND | - | REC CAPACITY | 22 lb | | APPROVALS | | | |
| SUCTION | 1 1/8 in | WEIGHT | 435 lb | REF CHARGE | 9 lb | | | | | |

NOTES:

† MCA.. Minimum Circuit Ampacity, ‡ MOP.. Maximum Overcurrent Protection
MCA & MOP are for the condensing unit ONLY. Single point connections WILL show different on dataplate.



APPROVED BY :

DATE :

Approval of this drawing signifies that the equipment is acceptable under the provision of the job specifications. Any change made hereon by any person whomsoever subject to acceptance by NATIONAL REFRIGERATION at its home office.



**NATIONAL REFRIGERATION AND
AIR CONDITIONING CANADA CORP.**

159 ROY BLVD, PO BOX 2020
BRANTFORD, ON
CANADA N3T 5Y6

BEZA045L8-HT3D

**EZ-LINE SCROLL
CONDENSING UNITS-AIR**

PURCHASER :

SUBMITTED BY : **Laura Craig**

PROJECT : **Erwin Elementary**

DATE : **11 Oct 2022**

ORDER # : **06339.36374.00469-A00**

ITEM # : **4**

QUOTE # : **Q11EULCA-A**

ID # :

PURCHASER'S PO # :

TAGGING :

SELECTED OPTION DESCRIPTIONS

Electric Defrost Kit - DFK-02

Electric Defrost Kit includes:

Mechanical Time Clock:

Time initiated temperature terminated with a timed failsafe.

Contactors:

Three pole definite purpose, 230V or 115V coil as defined by
the control circuit voltage

HtrCont1x 40A

Fuse Blocks:

1x 30A (2P) Class CC

Liquid Line Filter + Sight Glass - Sealed

Sporlan C Series with ODF solder connections and Sporlan SA
moisture indicator factory installed in liquid line.

Option Packages - Small B (Good@Warm/Moderate)

LLFD+SG

Approval of this drawing signifies that the equipment is acceptable under the provision of the job specifications. Any change made hereon by any person whomsoever subject to acceptance by NATIONAL REFRIGERATION at its home office.



**NATIONAL REFRIGERATION AND
AIR CONDITIONING CANADA CORP.**

159 ROY BLVD, PO BOX 2020
BRANTFORD, ON
CANADA N3T 5Y6

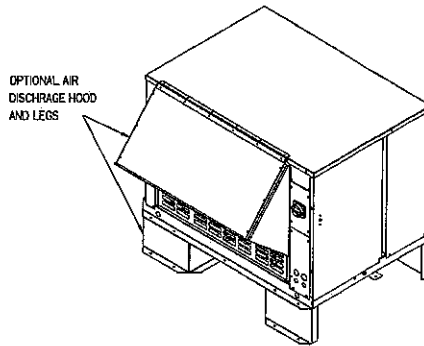
Order Item No: 4
BEZA045L8-HT3D
EZ-LINE SCROLL
CONDENSING UNITS-AIR

NATIONAL REFRIGERATION will furnish equipment in accordance with this drawing and specifications, and subject to its published warranty. Approval of this drawing signifies that the equipment is acceptable under the provision of the job specifications. Any change made hereon by any person whomsoever subject to acceptance by NATIONAL REFRIGERATION at its home office.

DATE : 11 Oct 2022
PURCHASER :
PROJECT : Erwin Elementary
SUBMITTED BY : Laura Craig

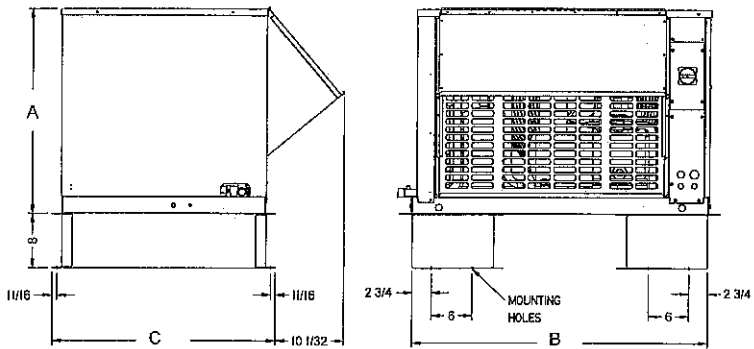
Dimensions shown are for standard unit less options.

| DIMENSIONS | |
|-------------|-----------|
| DIMENSION A | 30 3/8 in |
| DIMENSION B | 43 7/8 in |
| DIMENSION C | 32 7/8 in |
| DIMENSION D | 10 1/8 in |
| DIMENSION E | |
| DIMENSION F | |
| DIMENSION G | 0 in |
| DIMENSION H | |



| CONNECTIONS | |
|--------------------|----------|
| LIQUID | 1/2 in |
| SUCTION | 1 1/8 in |
| DRAIN | |
| WATER | |
| DISCHARGE | |
| PAN LOOP | |
| HOT GAS SIDE PORT | |
| HOT GAS INLET | |
| HOT GAS OUTLET | |
| OTHER | |
| SHIPPING WEIGHT | 435 lb |
| REFRIGERANT CHARGE | 9 lb |
| RECEIVER CAPACITY | 22 lb |

| APPROVALS | | | |
|-----------|--|--|--|
| | | | |
| | | | |



NOTES:



NATIONAL REFRIGERATION AND AIR CONDITIONING CANADA CORP.
 159 ROY BLVD, PO BOX 2020
 BRANTFORD, ON
 CANADA N3T 5Y6

BLP316LE-S2D

LOW PROFILE EVAPORATOR

PURCHASER :

SUBMITTED BY : **Laura Craig**

PROJECT : **Erwin Elementary**

DATE : **11 Oct 2022**

ORDER # : **06339.36374.00469-A00**

ITEM # : **5**

QUOTE # : **Q11EULCA-A**

ID # :

PURCHASER'S PO # :

TAGGING :

MODEL FEATURES

- 3/8" Tubing coil construction (reduces refrigerant operating charge)
- Factory installed solenoid valve wire harness
- Heavy gauge textured aluminum cabinet construction resists scratches/corrosion
- Spacious piping end compartment allows for easy assembly

- Hinged drain pan with central universal drain connection (3/4" drain)
- Front access to spacious electrical and header compartments
- Schrader connection on suction header
- Attractive and durable high density polyethylene fan guards

- Ultra efficient Electronically Commutated Motor (ECM)
- ECM with SmartSpeed Technology
- High efficiency enhanced copper tube and aluminium fin coil design
- 6 FPI
- Unit Cooler is AWEF/NRCAN compliant with R404A/R507/R448A/R449A/R407A

PRE-ASSEMBLED EVAP

- SmartVap+ with EEV + SolvIv
- Sporlan TXV, LLSV,T-stat
- KE2 Evap Efficiency w/Sporlan TXV
- KE2 Evap Efficiency w/Sporlan EEV
- *KE2 Evap Efficiency w/Sporlan TXV
- *KE2 Evap Efficiency w/Sporlan EEV

Aux Sideport Connector

- Painted White
- Stainless Steel

SENSORS FOR CPC BOARDS

- Coil Temp Sensor
- Return Air Temp Sensor

DEMAND DEFROST ELECTRONIC CONTROLLER

- KE2 Adaptive Control
- *KE2 Adaptive Control
- KE2 Therm Evaporator Efficiency
- *KE2 Therm Evaporator Efficiency

Dual Circuit

MODEL OPTIONS (* = Shipped Loose)

ELECTRONIC CONTROLLER

- SmartVap+ Control Board and Display

EXPANSION VALVE

- Sporlan TXV
- Sporlan EEV
- EEV for SmartVap+

EVAPORATOR PRISON PACKAGE

- Tamper Proof Screws

Export Crating

COIL COATING

- E-Coat

FIN MATERIAL

- Gold Coat Fins
- Copper Fins

Insulated Drain Pan

KE2 THERM

- *CAT5e Shielded Cable - 50ft w/connectors
- 40' Leads on Sensors + Transducers
- Ethernet Adapter Kit
- *Remote Combo Display
- *Liquid / Suction Heat Exchanger

LIQUID LINE SOLENOID VALVE

- Sporlan
- Dual Voltage Coil 120-230V Field Wired
- Nitrogen Charged and Sealed

ROOM THERMOSTATS

- Mechanical
- *Mechanical
- *Johnson A19ABC
- *Johnson A421ABC-02C
- Johnson A421ABC-02

Wire Fan Guards

REMOTE DEFROST PANEL

- *230V Control
- *115V Control

INSTALLATION REQUIREMENTS

- Minimum slope of 1" per foot on all drain lines
- P-trap per evap required outside of box
- Insulated drain line requires heat - 20W/ft

| | | | | | | | | | | | | |
|--|----------|--------------------|---------|--------------|----------|------|---------------|-------|-----------|------|------------|--|
| VOLTAGE | | SYSTEM REFRIGERANT | | | AIR FLOW | | EVAP. TEMP | | BOX TEMP | | CAPACITY | |
| 208-230/1/60 | | R448A | | | 2040 CFM | | -18.2 °F | | -10 °F | | 13438 BTUH | |
| FANS | | | HEATERS | | | | CIRCUIT TOTAL | | | | | |
| QTY | POWER | FLA/FAN | TYPE | QTY | AMPS | | AMPS | WATTS | MCA† | MOP‡ | | |
| 3 | 0.07HP | 0.6 | | | | | 1.8 | 180 | 2 | 15 | | |
| DEFROST HTRS | | | | 11.9 | | 2730 | | 14.8 | | 15 | | |
| DISTRIBUTOR | 3/8 in | SOUND | - | REC CAPACITY | | | | | APPROVALS | | | |
| SUCTION | 1 1/8 in | WEIGHT | 115 lb | REF CHARGE | 4 lb | | | | | | | |
| NOTES: | | | | | | | | | | | | |
| † MCA.. Minimum Circuit Ampacity, ‡ MOP.. Maximum Overcurrent Protection | | | | | | | | | | | | |

APPROVED BY : _____ **DATE :** _____

Approval of this drawing signifies that the equipment is acceptable under the provision of the job specifications. Any change made hereon by any person whomsoever subject to acceptance by NATIONAL REFRIGERATION at its home office.



**NATIONAL REFRIGERATION AND
AIR CONDITIONING CANADA CORP.**
159 ROY BLVD, PO BOX 2020
BRANTFORD, ON
CANADA N3T 5Y6

BLP316LE-S2D

**LOW PROFILE
EVAPORATOR**

PURCHASER :

SUBMITTED BY : **Laura Craig**

PROJECT : **Erwin Elementary**

DATE : **11 Oct 2022**

ORDER # : **06339.36374.00469-A00**

ITEM # : **5**

QUOTE # : **Q11EULCA-A**

ID # :

PURCHASER'S PO # :

TAGGING :

SELECTED OPTION DESCRIPTIONS

Expansion Valve - Sporlan TXV

May be Type EBQ, S, SBF, O externally equalized thermostatic expansion valve. Valves are selected using the specified capacity and operating conditions of the refrigeration system as specified on the accompanying Certified Prints.

Installation Requirements - Insulated drain line requires heat - 20W/ft

Freezer condensate drain lines must be insulated and heated with a minimum of 20 watts per foot.

Installation Requirements - Minimum slope of 1" per foot on all drain lines

Bally recommends a minimum slope of 1" per foot on all drain lines.

Installation Requirements - P-trap per evap required outside of box

All evaporators must be trapped individually outside of the box to prevent vapor migration back to coil surface.

Liquid Line Solenoid Valve - Sporlan

Sporlan solenoid coil voltage matches evaporator voltage except when evaporator is 460V, then 230V solenoid coil is used. Exceptions must be clearly explained in the Notes of the option.

Pre-assembled Evap - Sporlan TXV, LLSV, T-stat

Option Package consists of factory installed Sporlan balance port TXV, Sporlan liquid line solenoid valve and Johnson Controls A19 Room thermostat.

Room Thermostats - Mechanical

Single stage temperature control with Single-Pole, Double-Throw (SPDT) mechanical switch. May be Johnson A19 or equal, Operating range of -30°F to +100°F. Adjustable differential of 3°F to 12°F. Factory installed and wired.

Approval of this drawing signifies that the equipment is acceptable under the provision of the job specifications. Any change made hereon by any person whomsoever subject to acceptance by NATIONAL REFRIGERATION at its home office.



**NATIONAL REFRIGERATION AND
AIR CONDITIONING CANADA CORP.**
159 ROY BLVD, PO BOX 2020
BRANTFORD, ON
CANADA N3T 5Y6

Order Item No: 5
BLP316LE-S2D

**LOW PROFILE
EVAPORATOR**

DATE : 11 Oct 2022

PURCHASER :

PROJECT : **Erwin Elementary**

SUBMITTED BY : **Laura Craig**

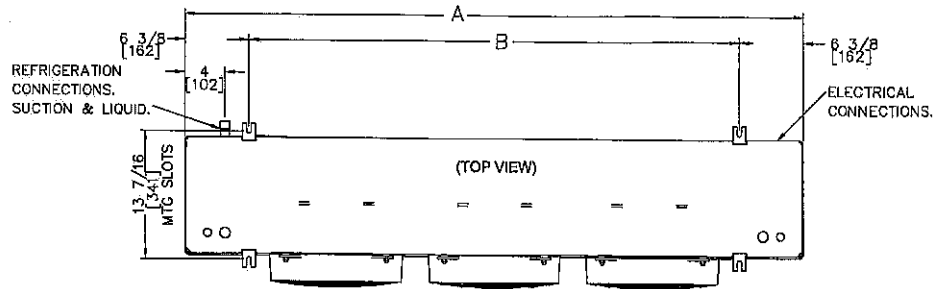
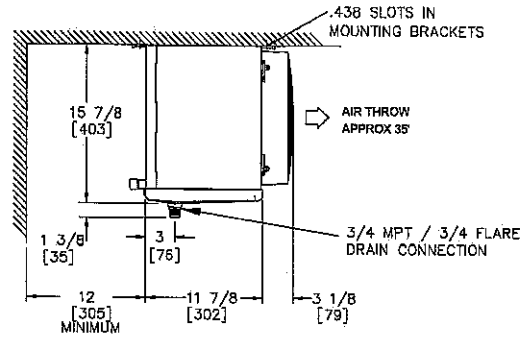
NATIONAL REFRIGERATION will furnish equipment in accordance with this drawing and specifications, and subject to its published warranty. Approval of this drawing signifies that the equipment is acceptable under the provision of the job specifications. Any change made hereon by any person whomsoever subject to acceptance by NATIONAL REFRIGERATION at its home office.

Dimensions shown are for standard unit less options.

| DIMENSIONS | |
|-------------|-----------|
| DIMENSION A | 62 1/4 in |
| DIMENSION B | 49 1/4 in |
| DIMENSION C | |
| DIMENSION D | |
| DIMENSION E | |
| DIMENSION F | |
| DIMENSION G | 0 in |
| DIMENSION H | |

| CONNECTIONS | |
|--------------------|----------|
| DISTRIBUTOR | 3/8 in |
| SUCTION | 1 1/8 in |
| DRAIN | 3/4 in |
| WATER | |
| DISCHARGE | |
| PAN LOOP | |
| HOT GAS SIDE PORT | |
| HOT GAS INLET | |
| HOT GAS OUTLET | |
| OTHER | |
| SHIPPING WEIGHT | 115 lb |
| REFRIGERANT CHARGE | 4 lb |
| RECEIVER CAPACITY | |

| APPROVALS | | | |
|-----------|--|--|--|
| | | | |
| | | | |



NOTES:



SWANSON-GIRARD

CULINARY SOLUTIONS

Project
Erwin Elem- Lancaster County
Schools

From
Swanson-Girard & Assoc.
Becky Jersey
10420 Southern Loop Blvd.
Pineville, NC 28134
(704)521-8811
(888)521-0778 0000 (Contact)
(704)521-8801 (Fax)
bjersey@swanson-girard.com

The following discounts have been applied to this quotation. No additional discounts can be taken off the net price shown.

To ensure all discounts are applied correctly when ordering please send ALL ORDERS to Swanson-Girard. Email: orders@swanson-girard.com or Fax: 704-521-8801

For Tracking information please either reach out to SGA office or Autoquotes Order Status.

ITEM Cooler - SHELVING, WITH METAL FRAME (24 REQ'D)

Metro Model PR2442NK3 Dimensions: 42(w) x 24(d)

Super Erecta Pro™ Shelf, 42"W x 24"D, removable polymer shelf mat, Metroseal 3™ epoxy-coated frame, built-in Microban product protection, split sleeves, attaches to Super Erecta® round posts, NSF



- 24 ea Model 74PK3 Super Erecta® SiteSelect™ Post, 74-1/2"H, adjustable leveling bolt, posts are grooved at 1" increments & numbered at 2" increments, double grooved every 8", Metroseal 3 Green epoxy coated corrosion-resistant finish with Microban® antimicrobial protection
- 1 ea Model HP2248PD Metro Bow-Tie™ Dunnage Rack, 22" x 48" x 12"H, slotted, with separate polymer tie for joining racks, corrosion proof polymer construction, NSF

ITEM Freezer - SHELVING, WITH METAL FRAME (16 REQ'D)

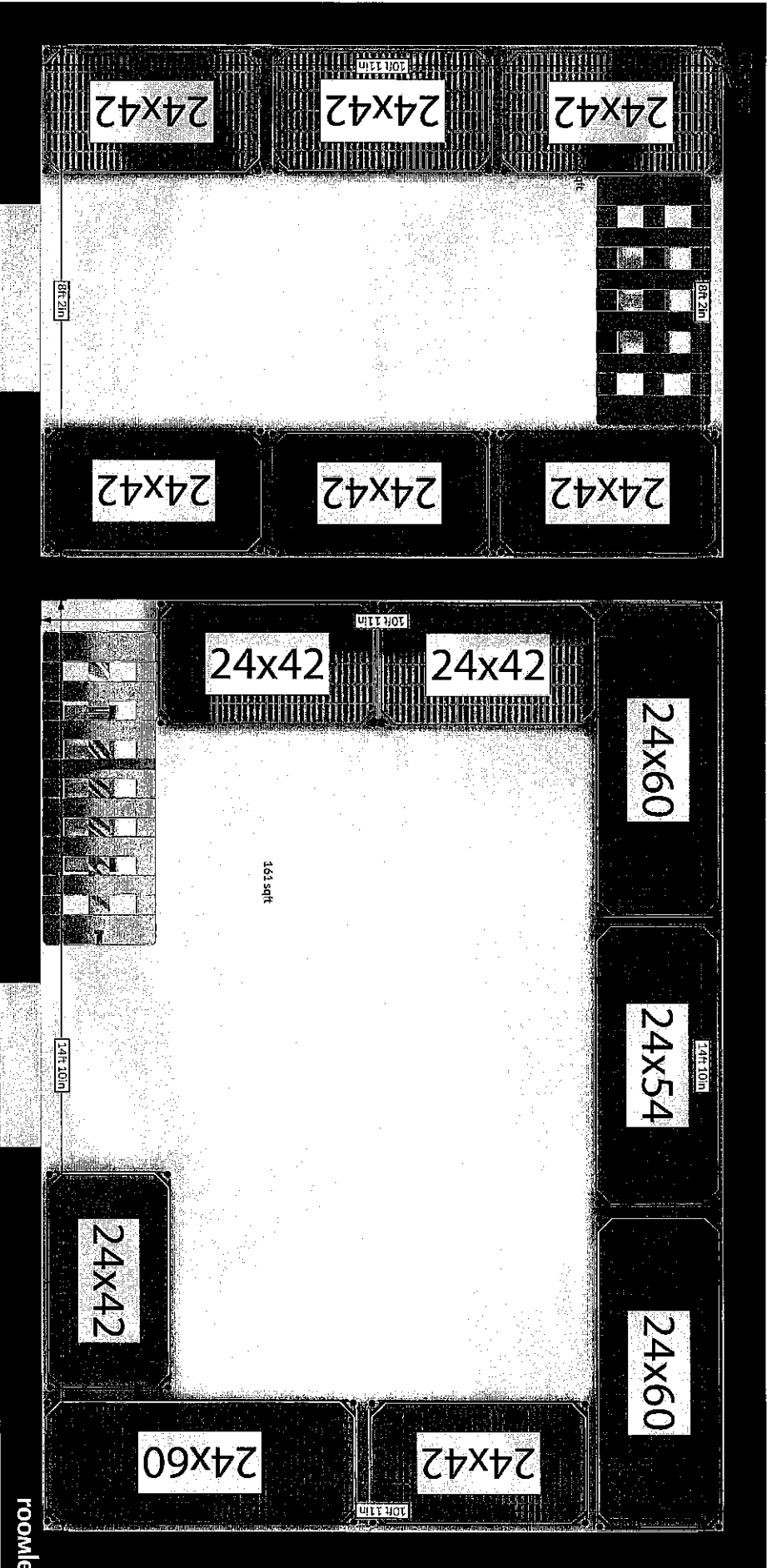
Metro Model PR2442NK3 Dimensions: 42(w) x 24(d)

Super Erecta Pro™ Shelf, 42"W x 24"D, removable polymer shelf mat, Metroseal 3™ epoxy-coated frame, built-in Microban product protection, split sleeves, attaches to Super Erecta® round posts, NSF



- 12 ea Model PR2460NK3 Super Erecta Pro™ Shelf, 60"W x 24"D, removable polymer shelf mat, Metroseal 3™ epoxy-coated frame, built-in Microban product protection, split sleeves, attaches to Super Erecta® round posts, NSF
- 4 ea Model PR2454NK3 Super Erecta Pro™ Shelf, 54"W x 24"D, removable polymer shelf mat, Metroseal 3™ epoxy-coated frame, built-in Microban product protection, split sleeves, attaches to Super Erecta® round posts, NSF
- 32 ea Model 74PK3 Super Erecta® SiteSelect™ Post, 74-1/2"H, adjustable leveling bolt, posts are grooved at 1" increments & numbered at 2" increments, double grooved every 8", Metroseal 3 Green epoxy coated corrosion-resistant finish with Microban® antimicrobial protection
- 1 ea Model HP2260PD Metro Bow-Tie™ Dunnage Rack, 22" x 60" x 12"H, slotted, with separate polymer tie for joining racks, corrosion proof polymer construction, NSF

*This quotation is based on our understanding of the information provided to us. While we make every effort to ensure that the quote is correct, **IT IS ULTIMATELY THE CUSTOMER'S RESPONSIBILITY TO CHECK THE QUOTE FOR ERRORS.** We are not responsible for this quotation meeting your requirements based on incorrect information. Please check our quotation carefully. Anything not listed will not be furnished. **All items are quoted as each unless otherwise shown.***





Bally Refrigerated Boxes, Inc.
Morehead City, NC 28557 (800) 242-2559

Last Update: 10/12/2022
Revisor: Laura Craig
To: All Bidders

Quote No: 2757-001-R04-LC
Item No:
Job Name: McDonald Green Elementary School
Date: 10/12/2022 **PVD:** 10/3/2022
From: Laura Craig
 Swanson-Girard & Associates
 10420 Southern Loop Blvd
 Pineville, NC 28134
Phone: **Fax:** (704)521-8801

Attn:

Indoor Structure

NSF APPROVED

Bally Prefabricated Exterior Dimensions:

15'-5"(l) x 9'-8"(w) x 8'-6"(h)
 2 Compartments 1 Tiers With Floor 4" Floor
 Ceiling: Single Span

Panel Thickness:

4 in. Exterior Vertical Used (7'-10") with 4 in. Partition, 4 in. Floor, 4 in. Ceiling

Details and specifications for Quote No: 2757-001-R04-LC

Comments:

Base Finish

Vertical and Ceiling Panels: Embossed Galvalume (26 GA)

Special Finishes:

Interior Floor - Aluminum Treadplate .125" Thick

Doors/Openings:

Wall 1 Door 1 (1) 36" x 78" Hinged Door In a 46"
 Wall 1 Door 1 (1) Bally Standard Pressure Relief Port (< 400 sq/ft)
 Wall 1 Door 1 (1) Strip Curtain (36" Door and Under)
 Wall 1 Door 1 (1) Super Door 36" Wide and Under, 30" High
 Wall 1 Door 2 (1) 36" x 78" Hinged Door In a 69"
 Wall 1 Door 2 (1) Super Door 36" Wide and Under, 30" High

Accessories and Extras:

(4) 48" LED KEIL 48x754-CL-N Light
 - 40° F to 100° F(Range)
 (1) Box set in 4" depression from top of finished floor.
 (48) S/F Emboss Galvalume (Closure Metal)

Floor Options:

(160) S/F 1/2" Plywood Foamed in Panel

Refrigeration:

(1) BEZA 007 H8 HT3DB (208-230/3/60) w/ smart speed
 Scroll Unit 7190 BTU
 (1) BEZA 020 L8 HT3D (208-230/3/60) w/ smart speed
 Includes defrost contactor for 1 Evap.
 (1) BLP207LE-S2D 208-230/1/60
 2 Fan 7160 BTU/h
 (1) BLP209-MA-S1D 115/1/60
 2 Fan 8700 BTU/h
 (1) Refrigeration is calculated for standard use at a box temperature of
 35° F. for the cooler and -10° F. for the freezer with a condensing
 unit ambient of 105° F.
 (1) Time Clock 8145 (shipped loose) 115/1/60



Bally Refrigerated Boxes, Inc.
Morehead City, NC 28557 (800) 242-2559

Last Update: 10/12/2022
Revisor: Laura Craig
To: All Bidders

Quote No: 2757-001-R04-LC
Item No:
Job Name: McDonald Green Elementary School
Date: 10/12/2022 **PVD:** 10/3/2022
From: Laura Craig
Swanson-Girard & Associates
10420 Southern Loop Blvd
Pineville, NC 28134

Attn:

Phone: **Fax:** (704)521-8801

Estimated Shipping:

Weight: 5,050.89

Destination: Lancaster, SC, 29720



Bally Refrigerated Boxes, Inc.
Morehead City, NC 28557 (800) 242-2559

Last Update: 10/12/2022
Revisor: Laura Craig
To: All Bidders

Quote No: 2757-001-R04-LC
Item No:
Job Name: McDonald Green Elementary School
Date: 10/12/2022 **PVD:** 10/3/2022
From: Laura Craig
 Swanson-Girard & Associates
 10420 Southern Loop Blvd
 Pineville, NC 28134

Attn:

Phone: **Fax:** (704)521-8801

Deviations (Alternates, Remarks, Clarifications, Etc.):

Bally Floor Panels are capable of supporting up to 800 lbs. Per Sq/Ft uniformly distributed stationary loading. Bally does not recommend the use rolling loads of heavy carts, pallet jacks or fork lifts on top of the floors. Warranty for floors subjected to this type of use would not be covered by Bally.

Quoting Bally Standard Pre-Assembled Remote Refrigeration.

Exclusions (Items Not Supplied by Bally):

- | | |
|---|--|
| <input checked="" type="checkbox"/> Shelving, Racks, Interior Accessories | <input checked="" type="checkbox"/> Caulking and Sealants |
| <input type="checkbox"/> Labor on Warranties | <input type="checkbox"/> Refrigeration Systems |
| <input checked="" type="checkbox"/> Alarm Systems | <input checked="" type="checkbox"/> Refrigeration Accessories |
| <input checked="" type="checkbox"/> Supervision | <input type="checkbox"/> Closure Panel and Trim |
| <input checked="" type="checkbox"/> Tubing, Wiring for Rfg. Equipment | <input checked="" type="checkbox"/> Sleeves, Penetrations, Escutcheon Plates |
| <input checked="" type="checkbox"/> Compressor Rack | <input checked="" type="checkbox"/> Floor Insulation and Vapor Barrier |

Cancelled Orders: Cancelled unshipped standard walk-ins will be charged a 30% restocking fee plus the cost of special panels. Cancelled refrigeration systems will be charged a 30% restocking fee and the cost of any freight accrued. Buy-out items will be charged a 25% restocking fee plus any freight accrued.

Agency Ratings: Bally units comply or surpass applicable Flame Spread-25, UL, UL 723, & NSF standards in a manner conforming to ASTM E-84, and Factory Mutual standards.

Quotation Limitations: This quotation was based upon the specifications given to Bally which may possibly be incomplete. Bally is not responsible for items missing from the quotation due to incomplete or excluded items in the specifications received from the customer. The customer is responsible for reviewing the quotation for omissions or deviations from the specifications given to Bally. All portions of the quotation are subject to revision upon receipt of detailed specifications or if changes are made following the delivery of the original quotation. Quotations expire on the date indicated on Page 1 of the Quote. Approval drawings must be returned within 60 days of receipt of the purchase order. The order must ship within the agreed upon time frames or current lead times, but no later than 7 months. Any deviations to this quotation (dimensions or specification changes) will require updated pricing.

Panel Construction: Bally Panels are manufactured with environmentally friendly HFC 245-FA polyurethane foam. This polyurethane foam offers the highest thermal insulation value and the most energy efficiency per cubic inch in comparison to similar foams. It has a zero Ozone Depletion Potential (ODP) and a low Global Warming Potential (GWP). It is not considered a Volatile Organic Compound (VOC) in the US. Standard 4" Bally panels meet the 2009 Federal Energy Standards.

Refrigerants: Unless otherwise specified, refrigeration systems are quoted with environmentally friendly HFO R448A refrigerant. It has a Low Global Warming Potential (GWP) and the EPA lists it as an acceptable substitute for R404A and other high GWP refrigerants.

Automatic Door Closers: Bally includes automatic door closers and spring loaded hinges on all doors 42" wide and smaller as a standard feature with no additional charge that meet the 2009 Federal Energy Standards.

Motors: Bally units are quoted with EC and PSC motors in compliance with federal energy standards, for increased energy savings.

Lighting: Bally units are quoted with lighting in compliance with federal Energy Standards for increased energy savings.

Optional Features: Bally offers additional optional energy-saving features such as Walk-In Alarm & Light Management systems that comply or surpass the 2009 Federal energy regulations.



Bally Refrigerated Boxes, Inc.
Morehead City, NC 28557 (800) 242-2559

Last Update: 10/12/2022

Revisor: Laura Craig

To: All Bidders
 C1

C2

Attn:

Quote No: 2757-001-R04-LC

Item No:

Job Name: McDonald Green Elementary School

Date: 10/12/2022 **PVD:** 10/3/2022

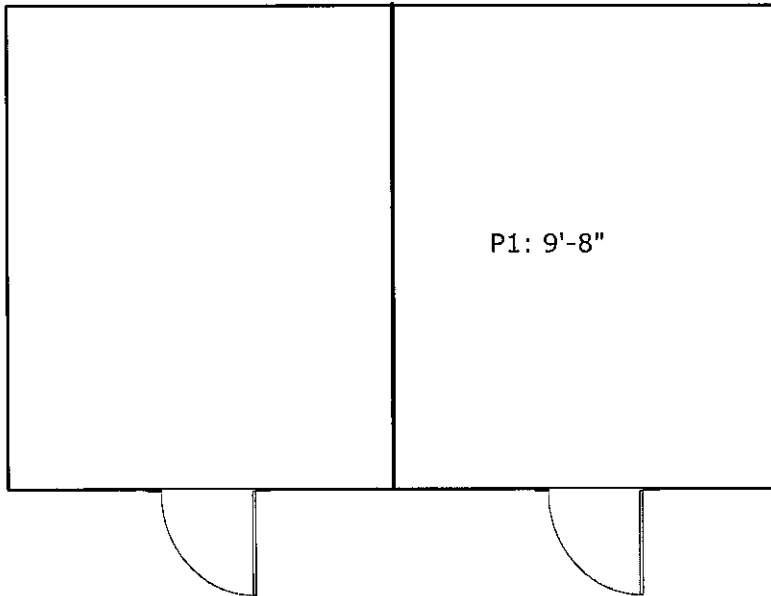
From: Laura Craig
 Swanson-Girard & Associates
 10420 Southern Loop Blvd
 Pineville, NC 28134

Phone: **Fax:** (704)521-8801

This drawing is for reference purposes only and it not intended to be a formal scale model.

w3: 15'-5"

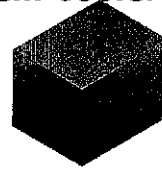
w4: 9'-8"



w1: 15'-5"

DOOR 1: Wall1 36" x 78" Hinged Door In a 46" Offset:4'-0" Hinge:Right Orientaion:Regular
 DOOR 2: Wall1 36" x 78" Hinged Door In a 69" Offset:12'-0" Hinge:Right Orientaion:Regular
 PARTITION 1: Wall 1 Centered Connect

McDonald Green Elem Cooler LOAD CALCULATION



| COOLING REQUIREMENTS | | | | | | | | | | |
|---|---|--------------------|-------------------------------------|--------------------------|-------------------|---------------------|------------------------|----------------|------------------------|--|
| Application | General Walk-in Cooler | | | Location | | Indoor | | | | |
| Internal Temp | 35 °F | Internal RH | 84% | External Temp | 85 °F | External RH | 55% | | | |
| Wall Load | 719 BTUH | Infiltration | 1,659 BTUH | Products | 409 BTUH | Miscellaneous | 665 BTUH | | | |
| | 21% | | 48% | | 12% | | 19% | | | |
| WALL, FLOOR AND CEILING LOADS | | | | | | | | | | |
| Section | Construction | Thickness (in) | K Factor | R Value | Ext Temp (°F) | Dim 1 (ft) | Dim 2 (ft) | Area (ft²) | Load (BTUH) | |
| Rear | Urethane, Standard panels | 4.000 | 0.14 | 28.57 | 85.0 | 9.67 | 8.50 | 82 | 144 | |
| Right End | Urethane, Standard panels | 4.000 | 0.14 | 28.57 | 85.0 | 7.75 | 8.50 | 46 | 81 | |
| | Door | | | 15.00 | 85.0 | 3.00 | 6.50 | 20 | 65 | |
| Front | Urethane, Standard panels | 4.000 | 0.14 | 28.57 | 35.0 | 9.67 | 8.50 | 82 | | |
| Left End | Urethane, Standard panels | 4.000 | 0.14 | 28.57 | 85.0 | 7.75 | 8.50 | 66 | 115 | |
| Floor | Insulated Floor - Panels On Concrete On Grade | 10.000 | 0.31 | 32.32 | | 9.67 | 7.75 | 75 | 183 | |
| Ceiling | Urethane, Standard panels | 4.000 | 0.14 | 28.57 | 85.0 | 9.67 | 7.75 | 75 | 131 | |
| VOLUME (ft³) | | 637 | TOTAL WALL, FLOOR AND CEILING LOAD | | | | | 719 | | |
| INFILTRATION LOAD : ESTIMATED BY VOLUME AND USAGE | | | | | | | | | | |
| Box Usage | Internal Temp (°F) | Internal Rh (%) | External Temp (°F) | External Rh (%) | Ventilation (CFM) | Load (BTUH) | | | | |
| Heavy | 35 | 84 | 85 | 55 | | 1,659 | | | | |
| PRODUCT LOADS | | | | | | | | | | |
| Type | Weight (lb) | Enter Temp (°F) | Final Temp (°F) | Pull Down (hrs) | Load (BTUH) | | | | | |
| General, Mixed Products, Approximation | 1,274 | 45.0 | 35.0 | 24 | 409 | | | | | |
| TOTAL PRODUCT WEIGHT (lbs) | | 1,274 | TOTAL PRODUCT LOAD | | | 409 | | | | |
| MISCELLANEOUS LOADS | | | | | | | | | | |
| Quantity | Description | | | Power | Units | Run Time (hrs) | Load (BTUH) | | | |
| | LIGHTING | | | 1 | W/ft² | 24 | 256 | | | |
| 2 | EVAPORATOR MOTORS | | | 60 | W | 24 | 409 | | | |
| TOTAL MISCELLANEOUS LOAD | | | | | | | 665 | | | |
| SYSTEM DESIGN SUMMARY | | | | | | | | | | |
| Design Load (BTUH) | Safety Factor | Safety Load (BTUH) | Run Time (Hours) | Capacity Required (BTUH) | Refrigerant | Line Frequency (Hz) | Design TD (°F) | Line Loss (°F) | Condenser Ambient (°F) | |
| 3,452 | 10% | 3,797 | 16 | 5,696 | R448A | 60 | 10.1 | 0.5 | 100 | |
| SYSTEM EQUIPMENT SELECTION | | | | | | | | | | |
| Equipment Type | Quantity | Model Number | Description | | | Voltage | Rating (BTUH) | | | |
| Condensing Unit | 1 | BEZA007H8-HT3D | EZ-Line Scroll Condensing Units-Air | | | 208-230/3/60 | 6,868 | | | |
| Evaporator | 1 | BLP209MA-S1D | Low Profile Evaporator | | | 115/1/60 | 8,843 | | | |
| SYSTEM BALANCE | | | | | | | | | | |
| Fan Load (BTUH) | Suction Temp (°F) | | | Evaporator TD (°F) | | | System Capacity (BTUH) | | | |
| | 26.3 | | | 8.2 | | | 7,141 | | | |

**NATIONAL REFRIGERATION AND AIR CONDITIONING CANADA CORP.**159 ROY BLVD, PO BOX 2020
BRANTFORD, ON
CANADA N3T 5Y6**BEZA007H8-HT3D****EZ-LINE SCROLL
CONDENSING UNITS-AIR**

PURCHASER :

SUBMITTED BY : **Laura Craig**PROJECT : **McDonald Green Elem**DATE : **11 Oct 2022**ORDER # : **06338.56873.00469-A00**ITEM # : **1**QUOTE # : **Q10EULCB-A**

ID # :

PURCHASER'S PO # :

TAGGING :

MODEL FEATURES

- 3/8" Tubing coil construction (reduces refrigerant operating charge)
- Anti-short cycle time delay
- Adjustable pressure fan cycling control on 2 fan models only
- Copper tubing secured with cushion clamps
- Crankcase heater
- Discharge line temperature sensor
- Fan Guard

- Fan motors are inherently protected with internal overloads
- Pre-formed piping
- Receiver with fusible plug and liquid shut off valve
- Suction Service valve
- Adjustable flooded head pressure control (unless otherwise indicated)
- Units are shipped with Helium holding charge
- Weatherproof electrical control box with compressor contactor and fused control circuit

- Welded hermetic Scroll compressor
- Adjustable low pressure control with flex hose / fixed high pressure control
- ECM with SmartSpeed Technology
- High efficiency enhanced copper tube and aluminium fin coil design
- Compatible with Low GWP Refrigerants
- Outdoor weatherproof pre-painted steel cabinet

MODEL OPTIONS (* = Shipped Loose)**OPTION PACKAGES**

- Small B (Good@Warm/Moderate)
- Small N (Better@Warm/Moderate)
- Small P (Best@Warm/Moderate)
- Small D (Good@Moderate/Cold)
- Small J (Better@Moderate/Cold)
- Small Q (Best@Moderate/Cold)
- Small K
- Small H

115V Control Circuit**ADJUSTABLE PRESSURE CONTROLS**

- Johnson Dual with flex hose
- Separate High/Low
- Separate High/Low: MAN Reset on HP

BALL VALVE

- *Liquid Line
- Liquid Line
- *Suction Line
- Suction Line

CAPACITY CONTROL - HOT GAS BYPASS

- To Inlet of Evaporator
- To Suction Line

Compressor Circuit Breaker**CONDENSING UNIT PRISON PACKAGE**

- Tamper Proof Screws
- Crankcase Pressure Regulator

CONTACTORS

- 30A Contactor
- 40A Contactor
- 60A Contactor

**DEFROST KIT
(USE W/KE2 EVAP EFF)**

- Up to 30A per Evap
- 35A to 50A per Evap
- Over 50A per Evap

Discharge Air Hood

- Discharge Line Check Valve

DISCONNECT SWITCH

- Fused
- Non-Fused

EC FAN MOTORS + SPEED CONTROLLER

- All Motors Variable Speed - 230V Units

ELECTRONIC PRESSURE CONTROL

- Low Pressure Control
- High Pressure Control

Export Crating

- EXTENDED 4-YEAR COMPRESSOR WARRANTY

WARRANTY

- Copeland

Extended Leg Kit

- COIL COATING

E-Coat

- FIN MATERIAL

- Gold Coat Fins
- Copper Fins

Hail Guard for Condenser

- Heated and Insulated Receiver

HOUSING MATERIAL

- Stainless Steel

- Insulated Suction Line

LIQUID LINE FILTER + SIGHT GLASS

- Sealed
- Replaceable

Liquid Line Lock-Out Relay**LIQUID LINE SOLENOID VALVE**

- *Standard 230V Coil
- *Standard 115V Coil

OIL SEPARATOR

- With Oil Filter and Solenoid
- One Time Pump Down

Oversized Receiver**PHASE / VOLTAGE MONITOR**

- 3-Lead
- 6-Lead (MotorSaver455)

Pump Down Toggle Switch**QuickVac Valves**

- Receiver Inlet Ball Valve
- Single Point Electrical

SUCTION ACCUMULATOR

- With Heat Exchanger
- Without Heat Exchanger

SUCTION FILTER

- Sealed Type
- Replaceable Core

TIME CLOCK

- Paragon 8145 Style
- *230V Paragon 8145 Style
- *115V Paragon 8145 Style

Wind Guard

- Less Flooding Valve(s)

VOLTAGE

SYSTEM REFRIGERANT

RATING

SUCTION TEMP

AMBIENT TEMP

CAPACITY

208-230/3/60**R448A****0.7Hp****26.3 °F****100 °F****7141 BTUH**

FANS

COMPRESSOR

CIRCUIT TOTAL

| QTY | POWER | FLA/FAN | TYPE | QTY | RLA | LRA | AMPS | WATTS | MCA† | MOP‡ |
|----------|-------------|----------|--------------------|----------|------------|-------------|------------|-------|----------|-----------|
| 1 | 100W | 1 | ZB06KAE-TF5 | 1 | 4.8 | 37.8 | 5.8 | | 7 | 15 |

| LIQUID | 3/8 in | SOUND | - | REC CAPACITY | 5 lb | APPROVALS |
|---------|--------|--------|--------|--------------|------|-----------|
| SUCTION | 5/8 in | WEIGHT | 183 lb | REF CHARGE | 3 lb | |

NOTES:

† MCA.. Minimum Circuit Ampacity, ‡ MOP.. Maximum Overcurrent Protection

MCA & MOP are for the condensing unit ONLY. Single point connections WILL show different on dataplate.

AWEF = 7.6 for R404A/R507/R407A/R448A/R449A. Non-compliant DOE NRCAN model for all other refrigerants

**APPROVED BY :****DATE :**

Approval of this drawing signifies that the equipment is acceptable under the provision of the job specifications. Any change made hereon by any person whomsoever subject to acceptance by NATIONAL REFRIGERATION at its home office.



**NATIONAL REFRIGERATION AND
AIR CONDITIONING CANADA CORP.**
159 ROY BLVD, PO BOX 2020
BRANTFORD, ON
CANADA N3T 5Y6

BEZA007H8-HT3D

**EZ-LINE SCROLL
CONDENSING UNITS-AIR**

PURCHASER :

SUBMITTED BY : **Laura Craig**

PROJECT : **McDonald Green Elem**

DATE : **11 Oct 2022**

ORDER # : **06338.56873.00469-A00**

ITEM # : **1**

QUOTE # : **Q10EULCB-A**

ID # :

PURCHASER'S PO # :

TAGGING :

SELECTED OPTION DESCRIPTIONS

Liquid Line Filter + Sight Glass - Sealed

Sporlan C Series with ODF solder connections and Sporlan SA moisture indicator factory installed in liquid line.

Option Packages - Small B (Good@Warm/Moderate)

LLFD+SG

Time Clock - 115V Paragon 8145 Style

115V Defrost timer is time initiated, temperature or pressure terminated with a timed failsafe. Timer is shipped loose in a box for field installation.

Approval of this drawing signifies that the equipment is acceptable under the provision of the job specifications. Any change made hereon by any person whomsoever subject to acceptance by NATIONAL REFRIGERATION at its home office.



**NATIONAL REFRIGERATION AND
AIR CONDITIONING CANADA CORP.**

159 ROY BLVD, PO BOX 2020
BRANTFORD, ON
CANADA N3T 5Y6

Order Item No: 1
BEZA007H8-HT3D
EZ-LINE SCROLL
CONDENSING UNITS-AIR

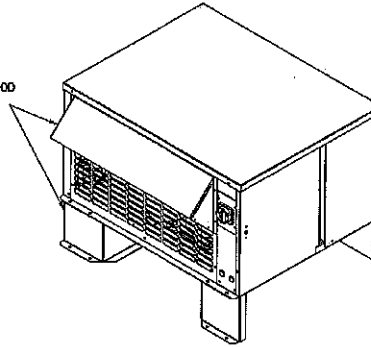
NATIONAL REFRIGERATION will furnish equipment in accordance with this drawing and specifications, and subject to its published warranty. Approval of this drawing signifies that the equipment is acceptable under the provision of the job specifications. Any change made hereon by any person whomsoever subject to acceptance by NATIONAL REFRIGERATION at its home office.

DATE : 11 Oct 2022
PURCHASER :
PROJECT : McDonald Green Elem
SUBMITTED BY : Laura Craig

Dimensions shown are for standard unit less options.

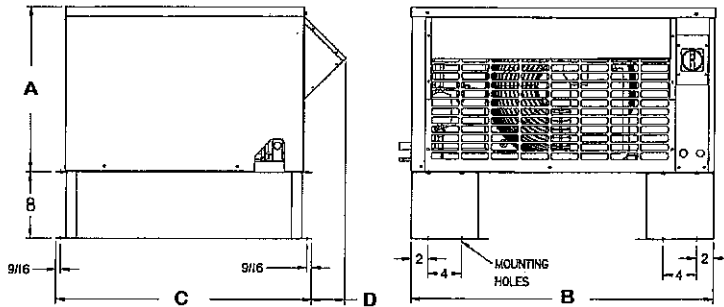
| DIMENSIONS | |
|-------------|-----------|
| DIMENSION A | 19 3/8 in |
| DIMENSION B | 24 7/8 in |
| DIMENSION C | 30 3/8 in |
| DIMENSION D | 4 in |
| DIMENSION E | |
| DIMENSION F | |
| DIMENSION G | 0 in |
| DIMENSION H | |

OPTIONAL AIR
DISCHARGE HOOD
AND LEGS



| CONNECTIONS | |
|--------------------|--------|
| LIQUID | 3/8 in |
| SUCTION | 5/8 in |
| DRAIN | |
| WATER | |
| DISCHARGE | |
| PAN LOOP | |
| HOT GAS SIDE PORT | |
| HOT GAS INLET | |
| HOT GAS OUTLET | |
| OTHER | |
| SHIPPING WEIGHT | 183 lb |
| REFRIGERANT CHARGE | 3 lb |
| RECEIVER CAPACITY | 5 lb |

| APPROVALS | | | |
|-----------|--|--|--|
| | | | |
| | | | |



NOTES:

AWEF = 7.6 for R404A/R507/R407A/R448A/R449A. Non-compliant DOE NRCAN model for all other refrigerants



NATIONAL REFRIGERATION AND AIR CONDITIONING CANADA CORP.
 159 ROY BLVD, PO BOX 2020
 BRANTFORD, ON
 CANADA N3T 5Y6

BLP209MA-S1D

LOW PROFILE EVAPORATOR

PURCHASER :

SUBMITTED BY : **Laura Craig**

PROJECT : **McDonald Green Elem**

DATE : **11 Oct 2022**

ORDER # : **06338.56873.00469-A00**

ITEM # : **3**

QUOTE # : **Q10EULCB-A**

ID # :

PURCHASER'S PO # :

TAGGING :

MODEL FEATURES

- 3/8" Tubing coil construction (reduces refrigerant operating charge)
- Factory installed solenoid valve wire harness
- Heavy gauge textured aluminum cabinet construction resists scratches/corrosion
- Spacious piping end compartment allows for easy assembly

- Hinged drain pan with central universal drain connection (3/4" drain)
- Front access to spacious electrical and header compartments
- Schrader connection on suction header
- Attractive and durable high density polyethylene fan guards
- Ultra efficient Electronically Commutated Motor (ECM)

- ECM with SmartSpeed Technology
- High efficiency enhanced copper tube and aluminium fin coil design
- 6 FPI
- AWEF = 9.0
- Unit Cooler is AWEF/NRCAN compliant with R404A/R507/R448A/R449A/R407A/R407C

MODEL OPTIONS (* = Shipped Loose)

PRE-ASSEMBLED EVAP

- SmartVap+ with EEV + Solvlv
- 1** Sporlan TXV, LLSV,T-stat
- KE2 Evap Efficiency w/Sporlan EEV
- *KE2 Evap Efficiency w/Sporlan EEV
- Aux Sideport Connector**

CABINET FINISH

- Painted White
- Stainless Steel

SENSORS FOR CPC BOARDS

- Coil Temp Sensor
- Return Air Temp Sensor

DEMAND DEFROST ELECTRONIC CONTROLLER

- KE2 Therm Evaporator Efficiency
- *KE2 Therm Evaporator Efficiency

Dual Circuit

- ELECTRONIC CONTROLLER**
- KE2 Temp+Defrost
- SmartVap+ Control Board and Display

EXPANSION VALVE

- 1** Sporlan TXV
- Sporlan EEV
- EEV for SmartVap+
- Evaporator Disconnect Switch**

EVAPORATOR PRISON PACKAGE

- Tamper Proof Screws

Export Crating

COIL COATING

- E-Coat

FIN MATERIAL

- Gold Coat Fins
- Copper Fins

Insulated Drain Pan

KE2 THERM

- *CAT5e Shielded Cable - 50ft w/connectors
- 40' Leads on Sensors + Transducers
- Ethernet Adapter Kit
- *Remote Combo Display
- *Liquid / Suction Heat Exchanger

LIQUID LINE SOLENOID VALVE

- 1** Sporlan
- Dual Voltage Coil 120-230V Field Wired**
- Nitrogen Charged and Sealed ROOM THERMOSTATS**

ROOM THERMOSTATS

- 1** Mechanical
- *Mechanical
- *Johnson A19ABC
- *Johnson A421ABC-02C
- Johnson A421ABC-02
- Wire Fan Guards**

REMOTE DEFROST PANEL

- *230V Control
- *115V Control

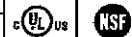
INSTALLATION REQUIREMENTS

- 1** Minimum slope of 1" per foot on all drain lines
- 1** P-trap per evap required outside of box

| | | | | | | | | | | | |
|-------------|--------|--------------------|---------|--|--------------|------|---------------|-----------|----------|------|-----------|
| VOLTAGE | | SYSTEM REFRIGERANT | | | AIR FLOW | | EVAP. TEMP | | BOX TEMP | | CAPACITY |
| 115/1/60 | | R448A | | | 1500 CFM | | 26.8 °F | | 35 °F | | 7141 BTUH |
| FANS | | | HEATERS | | | | CIRCUIT TOTAL | | | | |
| QTY | POWER | FLA/FAN | TYPE | | QTY | AMPS | AMPS | WATTS | MCA† | MOP‡ | |
| 2 | 0.07HP | 1 | | | | | 2 | 120 | 2.3 | 15 | |
| DISTRIBUTOR | 3/8 in | SOUND | - | | REC CAPACITY | | | APPROVALS | | | |
| SUCTION | 7/8 in | WEIGHT | 70 lb | | REF CHARGE | 1 lb | | | | | |

NOTES:

† MCA.. Minimum Circuit Ampacity, ‡ MOP.. Maximum Overcurrent Protection



APPROVED BY :

DATE :

Approval of this drawing signifies that the equipment is acceptable under the provision of the job specifications. Any change made hereon by any person whomsoever subject to acceptance by NATIONAL REFRIGERATION at its home office.



**NATIONAL REFRIGERATION AND
AIR CONDITIONING CANADA CORP.**
159 ROY BLVD, PO BOX 2020
BRANTFORD, ON
CANADA N3T 5Y6

BLP209MA-S1D

**LOW PROFILE
EVAPORATOR**

PURCHASER :

SUBMITTED BY : **Laura Craig**

PROJECT : **McDonald Green Elem**

DATE : **11 Oct 2022**

ORDER # : **06338.56873.00469-A00**

ITEM # : **3**

QUOTE # : **Q10EULCB-A**

ID # :

PURCHASER'S PO # :

TAGGING :

SELECTED OPTION DESCRIPTIONS

Expansion Valve - Sporlan TXV

May be Type EBQ, S, SBF, O externally equalized thermostatic expansion valve. Valves are selected using the specified capacity and operating conditions of the refrigeration system as specified on the accompanying Certified Prints.

Installation Requirements - Minimum slope of 1" per foot on all drain lines

Bally recommends a minimum slope of 1" per foot on all drain lines.

Installation Requirements - P-trap per evap required outside of box

All evaporators must be trapped individually outside of the box to prevent vapor migration back to coil surface.

Liquid Line Solenoid Valve - Sporlan

Sporlan solenoid coil voltage matches evaporator voltage except when evaporator is 460V, then 230V solenoid coil is used. Exceptions must be clearly explained in the Notes of the option.

Pre-assembled Evap - Sporlan TXV, LLSV, T-stat

Option Package consists of factory installed Sporlan balance port TXV, Sporlan liquid line solenoid valve and Johnson Controls A19 Room thermostat.

Room Thermostats - Mechanical

Single stage temperature control with Single-Pole, Double-Throw (SPDT) mechanical switch. May be Johnson A19 or equal, Operating range of -30°F to +100°F. Adjustable differential of 3°F to 12°F. Factory installed and wired.

Approval of this drawing signifies that the equipment is acceptable under the provision of the job specifications. Any change made hereon by any person whomsoever subject to acceptance by NATIONAL REFRIGERATION at its home office.



NATIONAL REFRIGERATION AND AIR CONDITIONING CANADA CORP.

159 ROY BLVD, PO BOX 2020
BRANTFORD, ON
CANADA N3T 5Y6

Order Item No: 3
BLP209MA-S1D

LOW PROFILE EVAPORATOR

DATE : 11 Oct 2022

PURCHASER :

PROJECT : McDonald Green Elem

SUBMITTED BY : Laura Craig

NATIONAL REFRIGERATION will furnish equipment in accordance with this drawing and specifications, and subject to its published warranty. Approval of this drawing signifies that the equipment is acceptable under the provision of the job specifications. Any change made hereon by any person whomsoever subject to acceptance by NATIONAL REFRIGERATION at its home office.

Dimensions shown are for standard unit less options.

DIMENSIONS

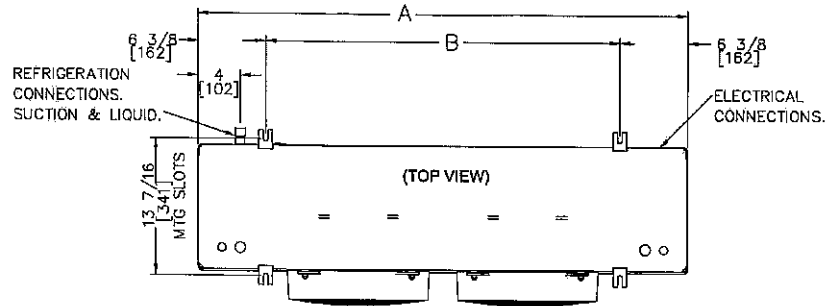
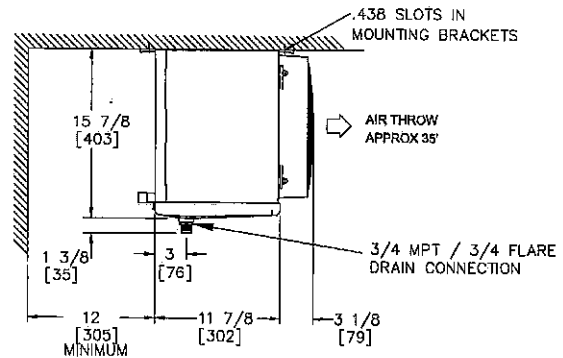
| | |
|-------------|-----------|
| DIMENSION A | 46 1/4 in |
| DIMENSION B | 33 1/4 in |
| DIMENSION C | |
| DIMENSION D | |
| DIMENSION E | |
| DIMENSION F | |
| DIMENSION G | 0 in |
| DIMENSION H | |

CONNECTIONS

| | |
|--------------------|--------|
| DISTRIBUTOR | 3/8 in |
| SUCTION | 7/8 in |
| DRAIN | 3/4 in |
| WATER | |
| DISCHARGE | |
| PAN LOOP | |
| HOT GAS SIDE PORT | |
| HOT GAS INLET | |
| HOT GAS OUTLET | |
| OTHER | |
| SHIPPING WEIGHT | 70 lb |
| REFRIGERANT CHARGE | 1 lb |
| RECEIVER CAPACITY | |

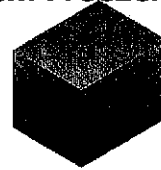
APPROVALS

| | | | |
|--|--|--|--|
| | | | |
| | | | |



NOTES:

McDonald Green Elem Freezer LOAD CALCULATION



| COOLING REQUIREMENTS | | | | | | | | | | |
|---|---|--------------------|------------------|-------------------------------------|--------------------|---------------------|-----------------|------------------------|------------------------|--|
| Application | General Walk-in Freezer | | | Location | | Indoor | | | | |
| Internal Temp | -10 °F | Internal RH | 95% | External Temp | | 85 °F | External RH | 55% | | |
| Wall Load | 1,512 BTUH | Infiltration | 1,830 BTUH | Products | | 114 BTUH | Miscellaneous | 631 BTUH | | |
| | 37% | | 45% | | | 3% | | 15% | | |
| WALL, FLOOR AND CEILING LOADS | | | | | | | | | | |
| Section | Construction | Thickness (in) | K Factor | R Value | Ext Temp (°F) | Dim 1 (ft) | Dim 2 (ft) | Area (ft²) | Load (BTUH) | |
| Rear | Urethane, Standard panels | 4.000 | 0.14 | 28.57 | 45.0 | 9.67 | 8.50 | 82 | 158 | |
| Right End | Urethane, Standard panels | 4.000 | 0.14 | 28.57 | 85.0 | 7.75 | 8.50 | 46 | 154 | |
| | Door | | | 15.00 | 85.0 | 3.00 | 6.50 | 20 | 123 | |
| Front | Urethane, Standard panels | 4.000 | 0.14 | 28.57 | 85.0 | 9.67 | 8.50 | 82 | 273 | |
| Left End | Urethane, Standard panels | 4.000 | 0.14 | 28.57 | 85.0 | 7.75 | 8.50 | 66 | 219 | |
| Floor | Insulated Floor - Panels On Concrete On Grade | 10.000 | 0.31 | 32.32 | | 9.67 | 7.75 | 75 | 336 | |
| Ceiling | Urethane, Standard panels | 4.000 | 0.14 | 28.57 | 85.0 | 9.67 | 7.75 | 75 | 249 | |
| VOLUME (ft³) | | 637 | | TOTAL WALL, FLOOR AND CEILING LOAD | | | | 1,512 | | |
| INFILTRATION LOAD : ESTIMATED BY DOORS AND OPENINGS | | | | | | | | | | |
| Quantity | Door or Opening Type | | Height (in) | Width (in) | External Temp (°F) | External Rh (%) | Open Time (hrs) | Curtains | Load (BTUH) | |
| 1 | Door | | 78.00 | 36.00 | 85.0 | 55.0 | 0.18 | None | 1,830 | |
| TOTAL INFILTRATION LOAD ESTIMATED BY DOORS AND OPENINGS | | | | | | | | | 1,830 | |
| PRODUCT LOADS | | | | | | | | | | |
| Type | | | Weight (lb) | Enter Temp (°F) | Final Temp (°F) | Pull Down (hrs) | | Load (BTUH) | | |
| General, Mixed Products, Approximation | | | 637 | 0.0 | -10.0 | 24 | | 114 | | |
| TOTAL PRODUCT WEIGHT (lbs) | | | 637 | TOTAL PRODUCT LOAD | | | 114 | | | |
| MISCELLANEOUS LOADS | | | | | | | | | | |
| Quantity | Description | | | Power | Units | Run Time (hrs) | | Load (BTUH) | | |
| 2 | LIGHTING | | | 1 | W/ft² | 24 | | 256 | | |
| | EVAPORATOR MOTORS | | | 60 | W | 22 | | 375 | | |
| TOTAL MISCELLANEOUS LOAD | | | | | | | | | 631 | |
| SYSTEM DESIGN SUMMARY | | | | | | | | | | |
| Design Load (BTUH) | Safety Factor | Safety Load (BTUH) | Run Time (Hours) | Capacity Required (BTUH) | Refrigerant | Line Frequency (Hz) | Design TD (°F) | Line Loss (°F) | Condenser Ambient (°F) | |
| 4,088 | 10% | 4,497 | 18 | 5,995 | R448A | 60 | 10 | 0.5 | 105 | |
| SYSTEM EQUIPMENT SELECTION | | | | | | | | | | |
| Equipment Type | Quantity | Model Number | | Description | | | Voltage | | Rating (BTUH) | |
| Condensing Unit | 1 | BEZA020L8-HT3D | | EZ-Line Scroll Condensing Units-Air | | | 208-230/3/60 | | 6,384 | |
| Evaporator | 1 | BLP207LE-S2D | | Low Profile Evaporator | | | 208-230/1/60 | | 7,189 | |
| SYSTEM BALANCE | | | | | | | | | | |
| Fan Load (BTUH) | | Suction Temp (°F) | | | Evaporator TD (°F) | | | System Capacity (BTUH) | | |
| | | -19.5 | | | 9 | | | 6,516 | | |



**NATIONAL REFRIGERATION AND
AIR CONDITIONING CANADA CORP.**
159 ROY BLVD, PO BOX 2020
BRANTFORD, ON
CANADA N3T 5Y6

BEZA020L8-HT3D

**EZ-LINE SCROLL
CONDENSING UNITS-AIR**

PURCHASER :

SUBMITTED BY : **Laura Craig**

PROJECT : **McDonald Green Elem**

DATE : **11 Oct 2022**

ORDER # : **06338.56873.00469-A00**

ITEM # : **4**

QUOTE # : **Q10EULCB-A**

ID # :

PURCHASER'S PO # :

TAGGING :

MODEL FEATURES

- 3/8" Tubing coil construction (reduces refrigerant operating charge)
- Anti-short cycle time delay
- Adjustable pressure fan cycling control on 2 fan models only
- Copper tubing secured with cushion clamps
- Crankcase heater
- Fan Guard

- Fan motors are inherently protected with internal overloads
- Pre-formed piping
- Receiver with fusible plug and liquid shut off valve
- Suction Service valve
- Adjustable flooded head pressure control (unless otherwise indicated)
- Units are shipped with Helium holding charge
- Weatherproof electrical control box with compressor contactor and fused control circuit

- Welded hermetic Scroll compressor
- Adjustable low pressure control with flex hose / fixed high pressure control
- ECM with SmartSpeed Technology
- High efficiency enhanced copper tube and aluminium fin coil design
- Compatible with Low GWP Refrigerants
- Outdoor weatherproof pre-painted steel cabinet

MODEL OPTIONS (* = Shipped Loose)

OPTION PACKAGES

- Small B (Good@Warm/Moderate)
- Small N (Better@Warm/Moderate)
- Small P (Best@Warm/Moderate)
- Small D (Good@Moderate/Cold)
- Small J (Better@Moderate/Cold)
- Small Q (Best@Moderate/Cold)
- Small K
- Small H

ELECTRIC DEFROST KIT

- DFK-02

115V Control Circuit

ADJUSTABLE PRESSURE CONTROLS

- Johnson Dual with flex hose
- Separate High/Low
- Separate High/Low: MAN Reset on HP

BALL VALVE

- *Liquid Line
- Liquid Line
- *Suction Line
- Suction Line

CAPACITY CONTROL - HOT GAS BYPASS

- To Inlet of Evaporator
- To Suction Line

Compressor Circuit Breaker

CONDENSING UNIT PRISON PACKAGE

- Tamper Proof Screws
- Crankcase Pressure Regulator

CONTACTORS

- 30A Contactor
- 40A Contactor
- 60A Contactor

**DEFROST KIT
(USE W/KE2 EVAP EFF)**

- Up to 30A per Evap
- 35A to 50A per Evap
- Over 50A per Evap

Discharge Air Hood

- Discharge Line Check Valve

- Discharge Line Temperature Sensor

DISCONNECT SWITCH

- Fused
- Non-Fused

EC FAN MOTORS + SPEED CONTROLLER

- All Motors Variable Speed - 230V Units

ELECTRONIC PRESSURE CONTROL

- Low Pressure Control
- High Pressure Control

Export Crating

EXTENDED 4-YEAR COMPRESSOR WARRANTY

- Copeland

Extended Leg Kit

COIL COATING

- E-Coat

FIN MATERIAL

- Gold Coat Fins
- Copper Fins

Hail Guard for Condenser

- Heated and Insulated Receiver

HOUSING MATERIAL

- Stainless Steel

Insulated Suction Line

LIQUID LINE FILTER + SIGHT GLASS

- Sealed
- Replaceable

- Liquid Line Lock-Out Relay

LIQUID LINE SOLENOID VALVE

- *Standard 230V Coil
- *Standard 115V Coil

OIL SEPARATOR

- With Oil Filter and Solenoid

One Time Pump Down

- Oversized Receiver

PHASE / VOLTAGE MONITOR

- 3-Lead
- 6-Lead (MotorSaver455)

Pump Down Toggle Switch

- QuickVac Valves

Receiver Inlet Ball Valve

- Single Point Electrical

- Sub Cooling Circuit

SUCTION ACCUMULATOR

- With Heat Exchanger
- Without Heat Exchanger

SUCTION FILTER

- Sealed Type
- Replaceable Core

TIME CLOCK

- Paragon 8145 Style
- *230V Paragon 8145 Style
- *115V Paragon 8145 Style

- Wind Guard

- Less Flooding Valve(s)

| VOLTAGE | | SYSTEM REFRIGERANT | | RATING | | SUCTION TEMP | | AMBIENT TEMP | | CAPACITY | |
|--------------|-------|--------------------|-------------|--------------|-----|---------------|------|--------------|------|-----------|--|
| 208-230/3/60 | | R448A | | 2Hp | | -19.5 °F | | 105 °F | | 6516 BTUH | |
| FANS | | | COMPRESSOR | | | CIRCUIT TOTAL | | | | | |
| QTY | POWER | FLA/FAN | TYPE | QTY | RLA | LRA | AMPS | WATTS | MCA† | MOP‡ | |
| 1 | 100W | 1 | ZF07KAE-TF5 | 1 | 8.6 | 58 | 9.6 | | 11.8 | 20 | |
| LIQUID | | SOUND | | REC CAPACITY | | APPROVALS | | | | | |
| SUCTION | | WEIGHT | | REF CHARGE | | | | | | | |
| 3/8 in | | - | | 11 lb | | | | | | | |
| 7/8 in | | 315 lb | | 4 lb | | | | | | | |

NOTES:

† MCA.. Minimum Circuit Ampacity, ‡ MOP.. Maximum Overcurrent Protection
MCA & MOP are for the condensing unit ONLY. Single point connections WILL show different on dataplate.
AWEF = 3.1 for R404A/R507/ AWEF = 3.08 for R407A/R448A/R449A. Non-compliant DOE NRCAN model for all other refrigerants.

APPROVED BY :

DATE :

Approval of this drawing signifies that the equipment is acceptable under the provision of the job specifications. Any change made hereon by any person whomsoever subject to acceptance by NATIONAL REFRIGERATION at its home office.



**NATIONAL REFRIGERATION AND
AIR CONDITIONING CANADA CORP.**

159 ROY BLVD, PO BOX 2020
BRANTFORD, ON
CANADA N3T 5Y6

BEZA020L8-HT3D

**EZ-LINE SCROLL
CONDENSING UNITS-AIR**

PURCHASER :

SUBMITTED BY : **Laura Craig**

PROJECT : **McDonald Green Elem**

DATE : **11 Oct 2022**

ORDER # : **06338.56873.00469-A00**

ITEM # : **4**

QUOTE # : **Q10EULCB-A**

ID # :

PURCHASER'S PO # :

TAGGING :

SELECTED OPTION DESCRIPTIONS

Electric Defrost Kit - DFK-02

Electric Defrost Kit includes:

Mechanical Time Clock:

Time initiated temperature terminated with a timed failsafe.

Contactors:

Three pole definite purpose, 230V or 115V coil as defined by
the control circuit voltage

HtrCont1x 40A

Fuse Blocks:

1x 30A (2P) Class CC

Liquid Line Filter + Sight Glass - Sealed

Sporlan C Series with ODF solder connections and Sporlan SA
moisture indicator factory installed in liquid line.

Option Packages - Small B (Good@Warm/Moderate)

LLFD+SG

Approval of this drawing signifies that the equipment is acceptable under the provision of the job specifications. Any change made hereon by any person whomsoever subject to acceptance by NATIONAL REFRIGERATION at its home office.



**NATIONAL REFRIGERATION AND
AIR CONDITIONING CANADA CORP.**

159 ROY BLVD, PO BOX 2020
BRANTFORD, ON
CANADA N3T 5Y6

Order Item No: 4
BEZA020L8-HT3D
EZ-LINE SCROLL
CONDENSING UNITS-AIR

DATE : 11 Oct 2022

PURCHASER :

PROJECT : McDonald Green Elem

SUBMITTED BY : Laura Craig

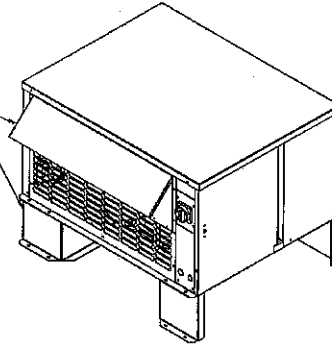
NATIONAL REFRIGERATION will furnish equipment in accordance with this drawing and specifications, and subject to its published warranty. Approval of this drawing signifies that the equipment is acceptable under the provision of the job specifications. Any change made hereon by any person whomsoever subject to acceptance by NATIONAL REFRIGERATION at its home office.

Dimensions shown are for standard unit less options.

DIMENSIONS

| | |
|-------------|-----------|
| DIMENSION A | 19 3/8 in |
| DIMENSION B | 24 7/8 in |
| DIMENSION C | 30 3/8 in |
| DIMENSION D | 4 in |
| DIMENSION E | |
| DIMENSION F | |
| DIMENSION G | 0 in |
| DIMENSION H | |

OPTIONAL AIR
DISCHARGE HOOD
AND LEGS



CONNECTIONS

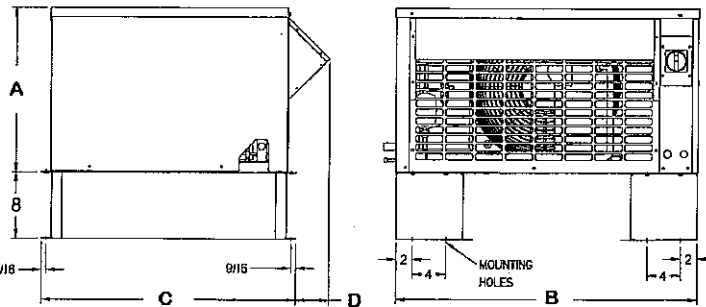
| | |
|-------------------|--------|
| LIQUID | 3/8 in |
| SUCTION | 7/8 in |
| DRAIN | |
| WATER | |
| DISCHARGE | |
| PAN LOOP | |
| HOT GAS SIDE PORT | |
| HOT GAS INLET | |
| HOT GAS OUTLET | |

OTHER

| | |
|--------------------|--------|
| SHIPPING WEIGHT | 315 lb |
| REFRIGERANT CHARGE | 4 lb |
| RECEIVER CAPACITY | 11 lb |

APPROVALS

| | | | |
|--|--|--|--|
| | | | |
| | | | |



NOTES:

AWEF = 3.1 for R404A/R507/ AWEF = 3.08 for R407A/R448A/R449A. Non-compliant DOE NRCAN model for all other refrigerants



**NATIONAL REFRIGERATION AND
AIR CONDITIONING CANADA CORP.**

159 ROY BLVD, PO BOX 2020
BRANTFORD, ON
CANADA N3T 5Y6

BLP207LE-S2D

**LOW PROFILE
EVAPORATOR**

PURCHASER :

SUBMITTED BY : **Laura Craig**

PROJECT : **McDonald Green Elem**

DATE : **11 Oct 2022**

ORDER # : **06338.56873.00469-A00**

ITEM # : **5**

QUOTE # : **Q10EULCB-A**

ID # :

PURCHASER'S PO # :

TAGGING :

MODEL FEATURES

- 3/8" Tubing coil construction (reduces refrigerant operating charge)
- Factory installed solenoid valve wire harness
- Heavy gauge textured aluminum cabinet construction resists scratches/corrosion
- Spacious piping end compartment allows for easy assembly

- Hinged drain pan with central universal drain connection (3/4" drain)
- Front access to spacious electrical and header compartments
- Schrader connection on suction header
- Attractive and durable high density polyethylene fan guards

- Ultra efficient Electronically Commutated Motor (ECM)
- ECM with SmartSpeed Technology
- High efficiency enhanced copper tube and aluminium fin coil design
- 6 FPI
- Unit Cooler is AWEF/NRCAN compliant with R404A/R507/R448A/R449A/R407A

MODEL OPTIONS (* = Shipped Loose)

PRE-ASSEMBLED EVAP

- SmartVap+ with EEV + Solvly
- Sporlan TXV, LLSV,T-stat
- KE2 Evap Efficiency w/Sporlan TXV
- KE2 Evap Efficiency w/Sporlan EEV
- *KE2 Evap Efficiency w/Sporlan TXV
- *KE2 Evap Efficiency w/Sporlan EEV

Aux Sideport Connector

CABINET FINISH

- Painted White
- Stainless Steel

SENSORS FOR CPC BOARDS

- Coil Temp Sensor
- Return Air Temp Sensor

DEMAND DEFROST ELECTRONIC CONTROLLER

- KE2 Adaptive Control
- *KE2 Adaptive Control
- KE2 Therm Evaporator Efficiency
- *KE2 Therm Evaporator Efficiency

Dual Circuit

ELECTRONIC CONTROLLER

- SmartVap+ Control Board and Display

EXPANSION VALVE

- Sporlan TXV
- Sporlan EEV
- EEV for SmartVap+

EVAPORATOR PRISON PACKAGE

- Tamper Proof Screws

Export Crating

COIL COATING

- E-Coat

FIN MATERIAL

- Gold Coat Fins
- Copper Fins

Insulated Drain Pan

KE2 THERM

- *CAT5e Shielded Cable - 50ft w/connectors
- 40' Leads on Sensors + Transducers
- Ethernet Adapter Kit
- *Remote Combo Display
- *Liquid / Suction Heat Exchanger

LIQUID LINE SOLENOID VALVE

- Sporlan
- Dual Voltage Coil 120-230V Field Wired

Nitrogen Charged and Sealed ROOM THERMOSTATS

- Mechanical
- *Mechanical
- *Johnson A19ABC
- *Johnson A421ABC-02C
- Johnson A421ABC-02

Wire Fan Guards

REMOTE DEFROST PANEL

- *230V Control
- *115V Control

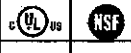
INSTALLATION REQUIREMENTS

- Minimum slope of 1" per foot on all drain lines
- P-trap per evap required outside of box
- Insulated drain line requires heat - 20W/ft

| | | | | | | | | | | | |
|--------------|--------|--------------------|---------|--------------|------|---------------|-----------|----------|------|-----------|--|
| VOLTAGE | | SYSTEM REFRIGERANT | | AIR FLOW | | EVAP. TEMP | | BOX TEMP | | CAPACITY | |
| 208-230/1/60 | | R448A | | 1500 CFM | | -19 °F | | -10 °F | | 6516 BTUH | |
| FANS | | | HEATERS | | | CIRCUIT TOTAL | | | | | |
| QTY | POWER | FLA/FAN | TYPE | QTY | AMPS | AMPS | WATTS | MCA† | MOP‡ | | |
| 2 | 0.07HP | 0.6 | | | | 1.2 | 120 | 1.4 | 15 | | |
| DEFROST HTRS | | | | 8.2 | | 1890 | | 10.3 | | 15 | |
| DISTRIBUTOR | 3/8 in | SOUND | - | REC CAPACITY | | | APPROVALS | | | | |
| SUCTION | 7/8 in | WEIGHT | 76 lb | REF CHARGE | 1 lb | | | | | | |

NOTES:

† MCA.. Minimum Circuit Ampacity, ‡ MOP.. Maximum Overcurrent Protection



APPROVED BY :

DATE :

Approval of this drawing signifies that the equipment is acceptable under the provision of the job specifications. Any change made hereon by any person whomsoever subject to acceptance by NATIONAL REFRIGERATION at its home office.



**NATIONAL REFRIGERATION AND
AIR CONDITIONING CANADA CORP.**
159 ROY BLVD, PO BOX 2020
BRANTFORD, ON
CANADA N3T 5Y6

BLP207LE-S2D

**LOW PROFILE
EVAPORATOR**

PURCHASER :

SUBMITTED BY : **Laura Craig**

PROJECT : **McDonald Green Elem**

DATE : **11 Oct 2022**

ORDER # : **06338.56873.00469-A00**

ITEM # : **5**

QUOTE # : **Q10EULCB-A**

ID # :

PURCHASER'S PO # :

TAGGING :

SELECTED OPTION DESCRIPTIONS

Expansion Valve - Sporlan TXV

May be Type EBQ, S, SBF, O externally equalized thermostatic expansion valve. Valves are selected using the specified capacity and operating conditions of the refrigeration system as specified on the accompanying Certified Prints.

Installation Requirements - Insulated drain line requires heat - 20W/ft

Freezer condensate drain lines must be insulated and heated with a minimum of 20 watts per foot.

Installation Requirements - Minimum slope of 1" per foot on all drain lines

Bally recommends a minimum slope of 1" per foot on all drain lines.

Installation Requirements - P-trap per evap required outside of box

All evaporators must be trapped individually outside of the box to prevent vapor migration back to coil surface.

Liquid Line Solenoid Valve - Sporlan

Sporlan solenoid coil voltage matches evaporator voltage except when evaporator is 460V, then 230V solenoid coil is used. Exceptions must be clearly explained in the Notes of the option.

Pre-assembled Evap - Sporlan TXV, LLSV, T-stat

Option Package consists of factory installed Sporlan balance port TXV, Sporlan liquid line solenoid valve and Johnson Controls A19 Room thermostat.

Room Thermostats - Mechanical

Single stage temperature control with Single-Pole, Double-Throw (SPDT) mechanical switch. May be Johnson A19 or equal, Operating range of -30°F to +100°F. Adjustable differential of 3°F to 12°F. Factory installed and wired.

Approval of this drawing signifies that the equipment is acceptable under the provision of the job specifications. Any change made hereon by any person whomsoever subject to acceptance by NATIONAL REFRIGERATION at its home office.



**NATIONAL REFRIGERATION AND
AIR CONDITIONING CANADA CORP.**
159 ROY BLVD, PO BOX 2020
BRANTFORD, ON
CANADA N3T 5Y6

Order Item No: 5
BLP207LE-S2D
**LOW PROFILE
EVAPORATOR**

NATIONAL REFRIGERATION will furnish equipment in accordance with this drawing and specifications, and subject to its published warranty. Approval of this drawing signifies that the equipment is acceptable under the provision of the job specifications. Any change made hereon by any person whomsoever subject to acceptance by NATIONAL REFRIGERATION at its home office.

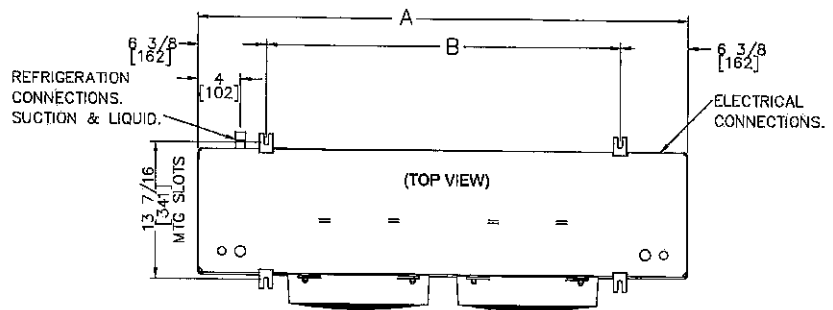
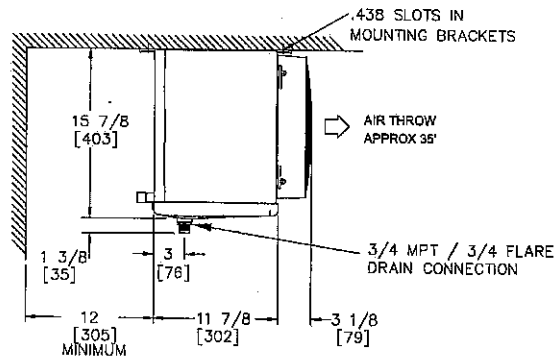
DATE : 11 Oct 2022
PURCHASER :
PROJECT : **McDonald Green Elem**
SUBMITTED BY : **Laura Craig**

Dimensions shown are for standard unit less options.

| DIMENSIONS | |
|-------------|-----------|
| DIMENSION A | 46 1/4 in |
| DIMENSION B | 33 1/4 in |
| DIMENSION C | |
| DIMENSION D | |
| DIMENSION E | |
| DIMENSION F | |
| DIMENSION G | 0 in |
| DIMENSION H | |

| CONNECTIONS | |
|--------------------|--------|
| DISTRIBUTOR | 3/8 in |
| SUCTION | 7/8 in |
| DRAIN | 3/4 in |
| WATER | |
| DISCHARGE | |
| PAN LOOP | |
| HOT GAS SIDE PORT | |
| HOT GAS INLET | |
| HOT GAS OUTLET | |
| OTHER | |
| SHIPPING WEIGHT | 76 lb |
| REFRIGERANT CHARGE | 1 lb |
| RECEIVER CAPACITY | |

| APPROVALS | | | |
|-----------|--|--|--|
| | | | |
| | | | |



NOTES:



SWANSON-GIRARD

CULINARY SOLUTIONS

Project

McDonald Green Elem- Lancaster
County Schools

From

Swanson-Girard & Assoc.
Becky Jersey
10420 Southern Loop Blvd.
Pineville, NC 28134
(704)521-8811
(888)521-0778 0000 (Contact)
(704)521-8801 (Fax)
bjersey@swanson-girard.com

The following discounts have been applied to this quotation. No additional discounts can be taken off the net price shown.

To ensure all discounts are applied correctly when ordering please send ALL ORDERS to Swanson-Girard. Email: orders@swanson-girard.com or Fax: 704-521-8801

For Tracking information please either reach out to SGA office or Autoquotes Order Status.

ITEM Cooler - SHELVING, WITH METAL FRAME (8 REQ'D)**Metro Model PR2460NK3 Dimensions: 60(w) x 24(d)**

Super Erecta Pro™ Shelf, 60"W x 24"D, removable polymer shelf mat, Metroseal 3™ epoxy-coated frame, built-in Microban product protection, split sleeves, attaches to Super Erecta® round posts, NSF

- | | |
|-------|--|
| 8 ea | Model PR2448NK3 Super Erecta Pro™ Shelf, 48"W x 24"D, removable polymer shelf mat, Metroseal 3™ epoxy-coated frame, built-in Microban product protection, split sleeves, attaches to Super Erecta® round posts, NSF |
| 16 ea | Model 74PK3 Super Erecta® SiteSelect™ Post, 74-1/2"H, adjustable leveling bolt, posts are grooved at 1" increments & numbered at 2" increments, double grooved every 8", Metroseal 3 Green epoxy coated corrosion-resistant finish with Microban® antimicrobial protection |
| 1 ea | Model HP2236PD Metro Bow-Tie™ Dunnage Rack, 22" x 36" x 12"H, slotted, with separate polymer tie for joining racks, corrosion proof polymer construction, NSF |

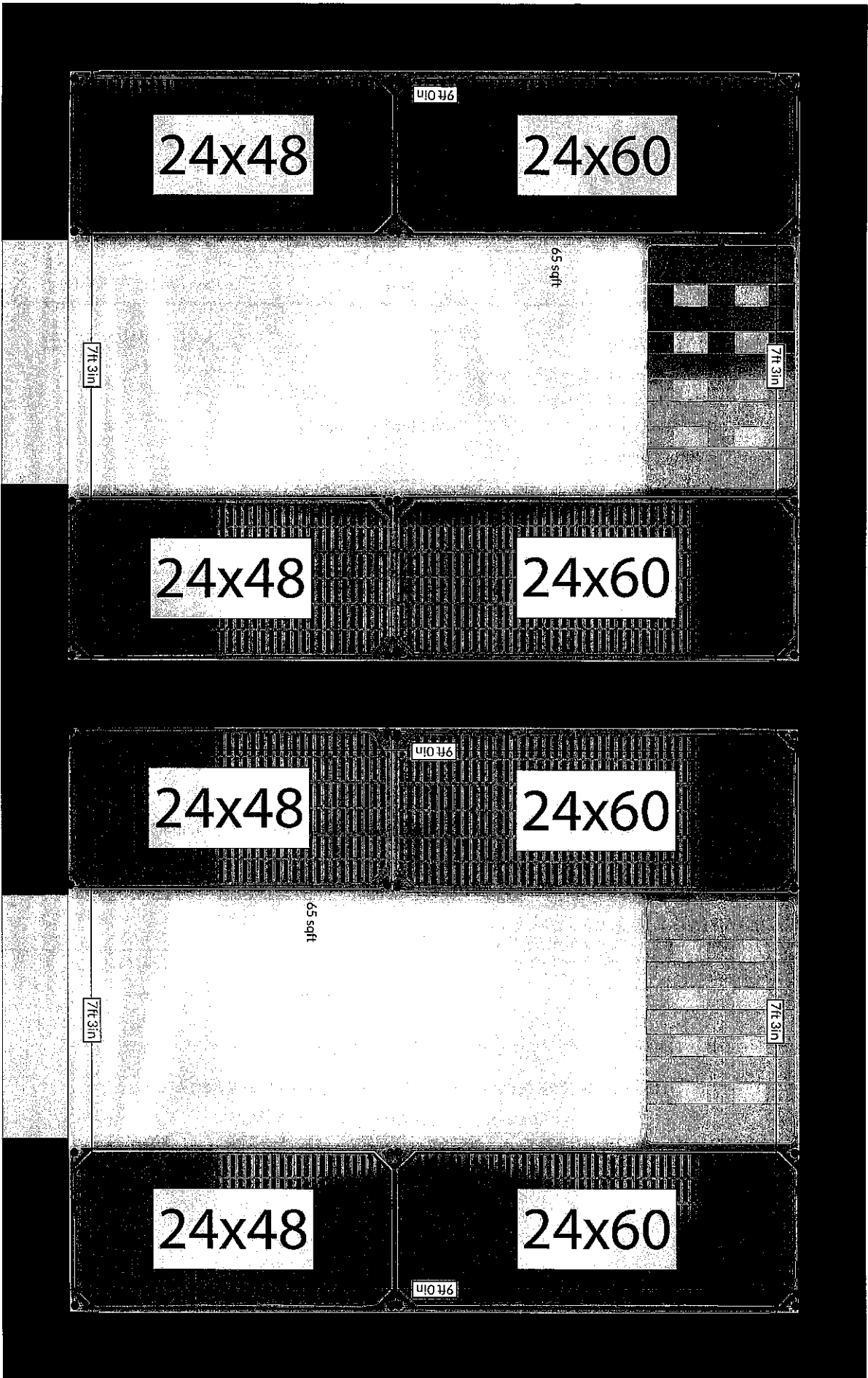
**ITEM Freezer - SHELVING, WITH METAL FRAME (8 REQ'D)****Metro Model PR2460NK3 Dimensions: 60(w) x 24(d)**

Super Erecta Pro™ Shelf, 60"W x 24"D, removable polymer shelf mat, Metroseal 3™ epoxy-coated frame, built-in Microban product protection, split sleeves, attaches to Super Erecta® round posts, NSF

- | | |
|-------|--|
| 8 ea | Model PR2448NK3 Super Erecta Pro™ Shelf, 48"W x 24"D, removable polymer shelf mat, Metroseal 3™ epoxy-coated frame, built-in Microban product protection, split sleeves, attaches to Super Erecta® round posts, NSF |
| 16 ea | Model 74PK3 Super Erecta® SiteSelect™ Post, 74-1/2"H, adjustable leveling bolt, posts are grooved at 1" increments & numbered at 2" increments, double grooved every 8", Metroseal 3 Green epoxy coated corrosion-resistant finish with Microban® antimicrobial protection |
| 1 ea | Model HP2236PD Metro Bow-Tie™ Dunnage Rack, 22" x 36" x 12"H, slotted, with separate polymer tie for joining racks, corrosion proof polymer construction, NSF |



*This quotation is based on our understanding of the information provided to us. While we make every effort to ensure that the quote is correct, **IT IS ULTIMATELY THE CUSTOMER'S RESPONSIBILITY TO CHECK THE QUOTE FOR ERRORS.** We are not responsible for this quotation meeting your requirements based on incorrect information. Please check our quotation carefully. Anything not listed will not be furnished. **All items are quoted as each unless otherwise shown.***





Bally Refrigerated Boxes, Inc.
Morehead City, NC 28557 (800) 242-2559

Last Update: 10/12/2022
Revisor: Laura Craig
To: All Bidders

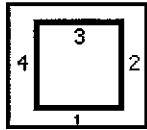
Quote No: 2751-001-R05-LC
Item No:
Job Name: South Middle School
Date: 10/12/2022 **PVD:** 10/3/2022
From: Laura Craig
 Swanson-Girard & Associates
 10420 Southern Loop Blvd
 Pineville, NC 28134
Phone: **Fax:** (704)521-8801

Attn:

Box Shape

Indoor Structure

NSF APPROVED



Bally Prefabricated Exterior Dimensions:

19'-3"(l) x 11'-7"(w) x 8'-6"(h)
 2 Compartments 1 Tiers With Floor 4" Floor
 Ceiling: Single Span

Panel Thickness:

4 in. Exterior Vertical Used (7'-10") with 4 in. Partition, 4 in. Floor, 4 in. Ceiling

Details on Following Page(s)

NOTE: Freight shown is an estimate based on current published rates. A fuel surcharge will be added and changes continuously.

Walk-in Price:

Refrigeration Price:

Total Price (FOB Plant) (Less Refrig. Warranties):

Estimated Freight:

Optional Warranties: (not included in Total Price)

(1) 00 3/4 HP System (5 yr. Parts , 1 yr. Labor)

(1) 02.5 HP System (5 yr. Parts , 1 yr. Labor)

Payment terms and conditions are available upon request.

This quotation was based on information supplied to us which may or may not have been complete. Customer is responsible for reviewing this quotation for exclusions, deviations, and any improper information supplied to us.

Signature: _____

Laura Craig

Date: _____

We are not responsible for the selection or recommendation of the panel finish for any building or walk-in application.

NOTE: Quoting Bally standard specifications, sizes, and finishes.

This quotation is good through 11/26/2022

Act of 2007 (Public Law 110-140) Title III; Section 312, regarding Walk-In Coolers and Walk-In Freezers.



Bally Refrigerated Boxes, Inc.
Morehead City, NC 28557 (800) 242-2559

Last Update: 10/12/2022
Revisor: Laura Craig
To: All Bidders

Quote No: 2751-001-R05-LC
Item No:
Job Name: South Middle School
Date: 10/12/2022 **PVD:** 10/3/2022
From: Laura Craig
 Swanson-Girard & Associates
 10420 Southern Loop Blvd
 Pineville, NC 28134

Phone: **Fax:** (704)521-8801

Indoor Structure

NSF APPROVED

Bally Prefabricated Exterior Dimensions:

19'-3"(l) x 11'-7"(w) x 8'-6"(h)
 2 Compartments 1 Tiers With Floor 4" Floor
 Ceiling: Single Span

Panel Thickness:

4 in. Exterior Vertical Used (7'-10") with 4 in. Partition, 4 in. Floor, 4 in. Ceiling

Details and specifications for Quote No: 2751-001-R05-LC

Comments:

Base Finish

Vertical and Ceiling Panels: Embossed Galvalume (26 GA)

Special Finishes:

Interior Floor - Aluminum Treadplate .125" Thick

Doors/Openings:

- Wall 1 Door 1 (1) 36" x 78" Hinged Door In a 46"
- Wall 1 Door 1 (1) Ext.Alum Diam/Tread Ramp (30-36" Door)
- Wall 1 Door 1 (1) Super Door 36" Wide and Under, 30" High
- Wall 1 Door 2 (1) 36" x 78" Hinged Door In a 46"
- Wall 1 Door 2 (1) Bally Standard Pressure Relief Port (< 400 sq/ft)
- Wall 1 Door 2 (1) Ext.Alum Diam/Tread Ramp (30-36" Door)
- Wall 1 Door 2 (1) Strip Curtain (36" Door and Under)
- Wall 1 Door 2 (1) Super Door 36" Wide and Under, 30" High

Accessories and Extras:

(4) 48" LED KEIL 48x754-CL-N Light
 - 40° F to 100° F(Range)

Floor Options:

(240) S/F 1/2" Plywood Foamed in Panel



Bally Refrigerated Boxes, Inc.
Morehead City, NC 28557 (800) 242-2559

Last Update: 10/12/2022
Revisor: Laura Craig
To: All Bidders

Quote No: 2751-001-R05-LC
Item No:
Job Name: South Middle School
Date: 10/12/2022 **PVD:** 10/3/2022
From: Laura Craig
 Swanson-Girard & Associates
 10420 Southern Loop Blvd
 Pineville, NC 28134

Attn:

Phone: **Fax:** (704)521-8801

Refrigeration:

- (1) BEZA 007 H8 HT3DB (208-230/3/60) w/ smart speed
 Scroll Unit 7190 BTU
- (1) BEZA 025 L8 HT3D (208-230/3/60) w/ smart speed
 Includes defrost contactor for 1 Evap.
- (1) BLP209LE-S2D 208-230/1/60
 2 Fan 9390 BTU/h
- (1) BLP209-MA-S1D 115/1/60
 2 Fan 8700 BTU/h
- (1) Refrigeration is calculated for standard use at a box temperature of
 35° F. for the cooler and -10° F. for the freezer with a condensing
 unit ambient of 105° F.
- (1) The refrigeration is calculated for a line run of less than 50'
- (1) Time Clock 8145 (shipped loose) 115/1/60

Estimated Shipping:

Weight: 6,581.25
Destination: Lancaster, SC, 29720



Bally Refrigerated Boxes, Inc.
Morehead City, NC 28557 (800) 242-2559

Last Update: 10/12/2022
Revisor: Laura Craig
To: All Bidders

Quote No: 2751-001-R05-LC
Item No:
Job Name: South Middle School
Date: 10/12/2022 **PVD:** 10/3/2022
From: Laura Craig
 Swanson-Girard & Associates
 10420 Southern Loop Blvd
 Pineville, NC 28134

Phone: **Fax:** (704)521-8801

Deviations (Alternates, Remarks, Clarifications, Etc.):

Bally Floor Panels are capable of supporting up to 800 lbs. Per Sq/Ft uniformly distributed stationary loading. Bally does not recommend the use rolling loads of heavy carts, pallet jacks or fork lifts on top of the floors. Warranty for floors subjected to this type of use would not be covered by Bally.

Exclusions (Items Not Supplied by Bally):

- | | |
|---|--|
| <input checked="" type="checkbox"/> Shelving, Racks, Interior Accessories | <input checked="" type="checkbox"/> Caulking and Sealants |
| <input type="checkbox"/> Labor on Warranties | <input type="checkbox"/> Refrigeration Systems |
| <input checked="" type="checkbox"/> Alarm Systems | <input checked="" type="checkbox"/> Refrigeration Accessories |
| <input checked="" type="checkbox"/> Supervision | <input checked="" type="checkbox"/> Closure Panel and Trim |
| <input checked="" type="checkbox"/> Tubing, Wiring for Rfg. Equipment | <input checked="" type="checkbox"/> Sleeves, Penetrations, Escutcheon Plates |
| <input checked="" type="checkbox"/> Compressor Rack | <input checked="" type="checkbox"/> Floor Insulation and Vapor Barrier |

Cancelled Orders: Cancelled unshipped standard walk-ins will be charged a 30% restocking fee plus the cost of special panels. Cancelled refrigeration systems will be charged a 30% restocking fee and the cost of any freight accrued. Buy-out items will be charged a 25% restocking fee plus any freight accrued.

Agency Ratings: Bally units comply or surpass applicable Flame Spread-25, UL, UL 723, & NSF standards in a manner conforming to ASTM E-84, and Factory Mutual standards.

Quotation Limitations: This quotation was based upon the specifications given to Bally which may possibly be incomplete. Bally is not responsible for items missing from the quotation due to incomplete or excluded items in the specifications received from the customer. The customer is responsible for reviewing the quotation for omissions or deviations from the specifications given to Bally. All portions of the quotation are subject to revision upon receipt of detailed specifications or if changes are made following the delivery of the original quotation. Quotations expire on the date indicated on Page 1 of the Quote. Approval drawings must be returned within 60 days of receipt of the purchase order. The order must ship within the agreed upon time frames or current lead times, but no later than 7 months. Any deviations to this quotation (dimensions or specification changes) will require updated pricing.

Panel Construction: Bally Panels are manufactured with environmentally friendly HFC 245-FA polyurethane foam. This polyurethane foam offers the highest thermal insulation value and the most energy efficiency per cubic inch in comparison to similar foams. It has a zero Ozone Depletion Potential (ODP) and a low Global Warming Potential (GWP). It is not considered a Volatile Organic Compound (VOC) in the US. Standard 4" Bally panels meet the 2009 Federal Energy Standards.

Refrigerants: Unless otherwise specified, refrigeration systems are quoted with environmentally friendly HFO R448A refrigerant. It has a Low Global Warming Potential (GWP) and the EPA lists it as an acceptable substitute for R404A and other high GWP refrigerants.

Automatic Door Closers: Bally includes automatic door closers and spring loaded hinges on all doors 42" wide and smaller as a standard feature with no additional charge that meet the 2009 Federal Energy Standards.

Motors: Bally units are quoted with EC and PSC motors in compliance with federal energy standards, for increased energy savings.

Lighting: Bally units are quoted with lighting in compliance with federal Energy Standards for increased energy savings.

Optional Features: Bally offers additional optional energy-saving features such as Walk-In Alarm & Light Management systems that comply or surpass the 2009 Federal energy regulations.



Bally Refrigerated Boxes, Inc.
Morehead City, NC 28557 (800) 242-2559

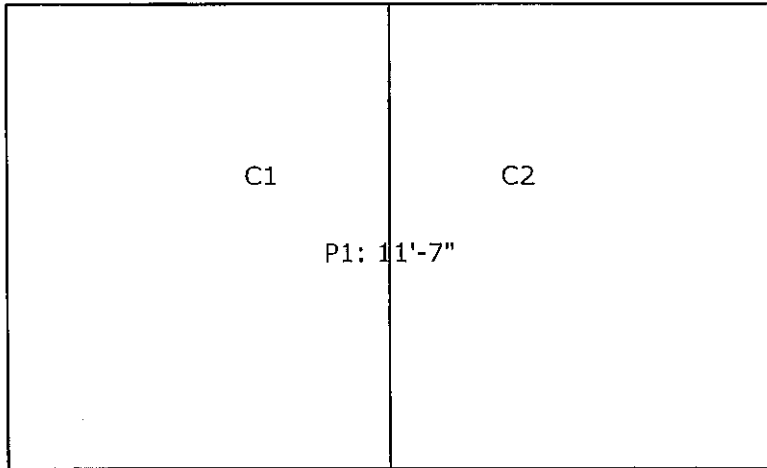
Last Update: 10/12/2022
Revisor: Laura Craig
To: All Bidders

Quote No: 2751-001-R05-LC
Item No:
Job Name: South Middle School
Date: 10/12/2022 *PVD:* 10/3/2022
From: Laura Craig
 Swanson-Girard & Associates
 10420 Southern Loop Blvd
 Pineville, NC 28134
Phone: *Fax:* (704)521-8801

This drawing is for reference purposes only and it not intended to be a formal scale model.

w3: 19'-3"

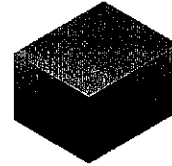
w4: 11'-7"



w1: 19'-3"

DOOR 1: Wall1 36" x 78" Hinged Door In a 46" Offset:4'-0" Hinge:Right Orientaion:Regular
 DOOR 2: Wall1 36" x 78" Hinged Door In a 46" Offset:15'-0" Hinge:Right Orientaion:Regular
 PARTITION 1: Wall 1 Offset:9'-8" from wall 2 Connect

South Middle School Cooler Combo LOAD CALCULATION



| COOLING REQUIREMENTS | | | | | | | | | |
|---|---|--------------------|--------------------------------------|--------------------------|------------------------|---------------------|----------------|-------------------------|------------------------|
| Application | General Walk-in Cooler | | | Location | | | | Indoor | |
| Internal Temp | 35 °F | Internal RH | 84% | External Temp | 85 °F | External RH | 55% | | |
| Wall Load | 958 BTUH | Infiltration | 996 BTUH | Products | 625 BTUH | Miscellaneous | 801 BTUH | | |
| | 28% | | 29% | | 19% | | 24% | | |
| WALL, FLOOR AND CEILING LOADS | | | | | | | | | |
| Section | Construction | Thickness (in) | K Factor | R Value | Ext Temp (°F) | Dim 1 (ft) | Dim 2 (ft) | Area (ft ²) | Load (BTUH) |
| Rear | Urethane, Standard panels | 4.000 | 0.14 | 28.57 | 35.0 | 11.70 | 8.50 | 99 | |
| Right End | Urethane, Standard panels | 4.000 | 0.14 | 28.57 | 85.0 | 9.80 | 8.50 | 64 | 112 |
| | Door | | | 15.00 | 85.0 | 3.00 | 6.50 | 20 | 65 |
| Front | Urethane, Standard panels | 4.000 | 0.14 | 28.57 | 85.0 | 11.70 | 8.50 | 99 | 174 |
| Left End | Urethane, Standard panels | 4.000 | 0.14 | 28.57 | 85.0 | 9.80 | 8.50 | 83 | 146 |
| Floor | Insulated Floor - Panels On Concrete On Grade | 10.000 | 0.31 | 32.32 | | 11.70 | 9.80 | 115 | 262 |
| Ceiling | Urethane, Standard panels | 4.000 | 0.14 | 28.57 | 85.0 | 11.70 | 9.80 | 115 | 201 |
| VOLUME (ft ³) | | 975 | TOTAL WALL, FLOOR AND CEILING LOAD | | | | 958 | | |
| INFILTRATION LOAD : ESTIMATED BY VOLUME AND USAGE | | | | | | | | | |
| Box Usage | Internal Temp (°F) | Internal Rh (%) | External Temp (°F) | External Rh (%) | Ventilation (CFM) | Load (BTUH) | | | |
| Regular | 35 | 84 | 85 | 55 | | 996 | | | |
| PRODUCT LOADS | | | | | | | | | |
| Type | Weight (lb) | Enter Temp (°F) | Final Temp (°F) | Pull Down (hrs) | Load (BTUH) | | | | |
| General, Mixed Products, Approximation | 1,949 | 45.0 | 35.0 | 24 | 625 | | | | |
| TOTAL PRODUCT WEIGHT (lbs) | | 1,949 | TOTAL PRODUCT LOAD | | 625 | | | | |
| MISCELLANEOUS LOADS | | | | | | | | | |
| Quantity | Description | Power | Units | Run Time (hrs) | Load (BTUH) | | | | |
| | LIGHTING | 1 | W/ft ² | 24 | 391 | | | | |
| 2 | EVAPORATOR MOTORS | 60 | W | 24 | 409 | | | | |
| TOTAL MISCELLANEOUS LOAD | | | | | 801 | | | | |
| SYSTEM DESIGN SUMMARY | | | | | | | | | |
| Design Load (BTUH) | Safety Factor | Safety Load (BTUH) | Run Time (Hours) | Capacity Required (BTUH) | Refrigerant | Line Frequency (Hz) | Design TD (°F) | Line Loss (°F) | Condenser Ambient (°F) |
| 3,380 | 10% | 3,718 | 16 | 5,577 | R404A | 60 | 10.1 | 0.5 | 105 |
| SYSTEM EQUIPMENT SELECTION | | | | | | | | | |
| Equipment Type | Quantity | Model Number | Description | | | Voltage | Rating (BTUH) | | |
| Condensing Unit | 1 | BEZA007H8-HT3D | EZ-Line Scroll, Condensing Units-Air | | | 208-230/3/60 | | | |
| Evaporator | 1 | BLP209MA-S1D | Low Profile, Evaporator | | | 115/1/60 | | | |
| SYSTEM BALANCE | | | | | | | | | |
| Fan Load (BTUH) | Suction Temp (°F) | | Evaporator TD (°F) | | System Capacity (BTUH) | | | | |
| | 26.4 | | 8.1 | | 6,866 | | | | |



NATIONAL REFRIGERATION AND AIR CONDITIONING CANADA CORP.

159 ROY BLVD, PO BOX 2020
BRANTFORD, ON
CANADA N3T 5Y6

BEZA007H8-HT3D

**EZ-LINE SCROLL
CONDENSING UNITS-AIR**

PURCHASER :

SUBMITTED BY : **Laura Craig**

PROJECT : **South Middle School Lancaster SC**

DATE : **11 Oct 2022**

ORDER # : **06338.58290.00469-A00**

ITEM # : **1**

QUOTE # : **Q10EULCB-A**

ID # :

PURCHASER'S PO # :

TAGGING :

MODEL FEATURES

- 3/8" Tubing coil construction (reduces refrigerant operating charge)
- Anti-short cycle time delay
- Adjustable pressure fan cycling control on 2 fan models only
- Copper tubing secured with cushion clamps
- Crankcase heater
- Discharge line temperature sensor
- Fan Guard
- Fan motors are inherently protected with internal overloads
- Pre-formed piping
- Receiver with fusible plug and liquid shut off valve
- Suction Service valve
- Adjustable flooded head pressure control (unless otherwise indicated)
- Units are shipped with Helium holding charge
- Weatherproof electrical control box with compressor contactor and fused control circuit
- Welded hermetic Scroll compressor
- Adjustable low pressure control with flex hose / fixed high pressure control
- ECM with SmartSpeed Technology
- High efficiency enhanced copper tube and aluminium fin coil design
- Compatible with Low GWP Refrigerants
- Outdoor weatherproof pre-painted steel cabinet

MODEL OPTIONS (* = Shipped Loose)

- | | | |
|--|--|--|
| <p>OPTION PACKAGES</p> <p><input checked="" type="checkbox"/> Small B (Good@Warm/Moderate)</p> <p><input type="checkbox"/> Small N (Better@Warm/Moderate)</p> <p><input type="checkbox"/> Small P (Best@Warm/Moderate)</p> <p><input type="checkbox"/> Small D (Good@Moderate/Cold)</p> <p><input type="checkbox"/> Small J (Better@Moderate/Cold)</p> <p><input type="checkbox"/> Small Q (Best@Moderate/Cold)</p> <p><input type="checkbox"/> Small K</p> <p><input type="checkbox"/> Small H</p> <p><input type="checkbox"/> 115V Control Circuit</p> <p>ADJUSTABLE PRESSURE CONTROLS</p> <p><input type="checkbox"/> Johnson Dual with flex hose</p> <p><input type="checkbox"/> Separate High/Low</p> <p><input type="checkbox"/> Separate High/Low: MAN Reset on HP</p> <p>BALL VALVE</p> <p><input type="checkbox"/> *Liquid Line</p> <p><input type="checkbox"/> Liquid Line</p> <p><input type="checkbox"/> *Suction Line</p> <p><input type="checkbox"/> Suction Line</p> <p>CAPACITY CONTROL - HOT GAS BYPASS</p> <p><input type="checkbox"/> To Inlet of Evaporator</p> <p><input type="checkbox"/> To Suction Line</p> <p><input type="checkbox"/> Compressor Circuit Breaker</p> <p>CONDENSING UNIT PRISON PACKAGE</p> <p><input type="checkbox"/> Tamper Proof Screws</p> <p><input type="checkbox"/> Crankcase Pressure Regulator</p> <p>CONTACTORS</p> <p><input type="checkbox"/> 30A Contactor</p> <p><input type="checkbox"/> 40A Contactor</p> <p><input type="checkbox"/> 60A Contactor</p> | <p>DEFROST KIT (USE W/KE2 EVAP EFF)</p> <p><input type="checkbox"/> Up to 30A per Evap</p> <p><input type="checkbox"/> 35A to 50A per Evap</p> <p><input type="checkbox"/> Over 50A per Evap</p> <p><input type="checkbox"/> Discharge Air Hood</p> <p><input type="checkbox"/> Discharge Line Check Valve</p> <p>DISCONNECT SWITCH</p> <p><input type="checkbox"/> Fused</p> <p><input type="checkbox"/> Non-Fused</p> <p><input type="checkbox"/> EC FAN MOTORS + SPEED CONTROLLER</p> <p><input type="checkbox"/> All Motors Variable Speed - 230V Units</p> <p>ELECTRONIC PRESSURE CONTROL</p> <p><input type="checkbox"/> Low Pressure Control</p> <p><input type="checkbox"/> High Pressure Control</p> <p><input type="checkbox"/> Export Crating</p> <p>EXTENDED 4-YEAR COMPRESSOR WARRANTY</p> <p><input type="checkbox"/> Copeland</p> <p><input type="checkbox"/> Extended Leg Kit</p> <p>COIL COATING</p> <p><input type="checkbox"/> E-Coat</p> <p>FIN MATERIAL</p> <p><input type="checkbox"/> Gold Coat Fins</p> <p><input type="checkbox"/> Copper Fins</p> <p><input type="checkbox"/> Hail Guard for Condenser</p> <p><input type="checkbox"/> Heated and Insulated Receiver</p> <p>HOUSING MATERIAL</p> <p><input type="checkbox"/> Stainless Steel</p> <p><input type="checkbox"/> Insulated Suction Line</p> | <p>LIQUID LINE FILTER + SIGHT GLASS</p> <p><input checked="" type="checkbox"/> Sealed</p> <p><input type="checkbox"/> Replaceable</p> <p><input type="checkbox"/> Liquid Line Lock-Out Relay</p> <p>LIQUID LINE SOLENOID VALVE</p> <p><input type="checkbox"/> *Standard 230V Coil</p> <p><input type="checkbox"/> *Standard 115V Coil</p> <p>OIL SEPARATOR</p> <p><input type="checkbox"/> With Oil Filter and Solenoid</p> <p><input type="checkbox"/> One Time Pump Down</p> <p><input type="checkbox"/> Oversized Receiver</p> <p>PHASE / VOLTAGE MONITOR</p> <p><input type="checkbox"/> 3-Lead</p> <p><input type="checkbox"/> 6-Lead (MotorSaver455)</p> <p><input type="checkbox"/> Pump Down Toggle Switch</p> <p><input type="checkbox"/> QuickVac Valves</p> <p><input type="checkbox"/> Receiver Inlet Ball Valve</p> <p><input type="checkbox"/> Single Point Electrical SUCTION ACCUMULATOR</p> <p><input type="checkbox"/> With Heat Exchanger</p> <p><input type="checkbox"/> Without Heat Exchanger</p> <p>SUCTION FILTER</p> <p><input type="checkbox"/> Sealed Type</p> <p><input type="checkbox"/> Replaceable Core</p> <p>TIME CLOCK</p> <p><input type="checkbox"/> Paragon 8145 Style</p> <p><input type="checkbox"/> *230V Paragon 8145 Style</p> <p><input checked="" type="checkbox"/> *115V Paragon 8145 Style</p> <p><input type="checkbox"/> Wind Guard</p> <p><input type="checkbox"/> Less Flooding Valve(s)</p> |
|--|--|--|

| | | | | | | | | | | | |
|--------------|--------|--------------------|-------------|--------------|------|--------------|---------------|--------------|------|-----------|--|
| VOLTAGE | | SYSTEM REFRIGERANT | | RATING | | SUCTION TEMP | | AMBIENT TEMP | | CAPACITY | |
| 208-230/3/60 | | R404A | | 0.7Hp | | 26.4 °F | | 105 °F | | 6866 BTUH | |
| FANS | | | COMPRESSOR | | | | CIRCUIT TOTAL | | | | |
| QTY | POWER | FLA/FAN | TYPE | QTY | RLA | LRA | AMPS | WATTS | MCA† | MOP‡ | |
| 1 | 100W | 1 | ZB06KAE-TF5 | 1 | 4.8 | 37.8 | 5.8 | | 7 | 15 | |
| LIQUID | 3/8 in | SOUND | - | REC CAPACITY | 5 lb | | APPROVALS | | | | |
| SUCTION | 5/8 in | WEIGHT | 183 lb | REF CHARGE | 3 lb | | | | | | |

NOTES:
 † MCA.. Minimum Circuit Ampacity, ‡ MOP.. Maximum Overcurrent Protection
 MCA & MOP are for the condensing unit ONLY. Single point connections WILL show different on dataplate.
 AWEF = 7.6 for R404A/R507/R407A/R448A/R449A. Non-compliant DOE NRCAN model for all other refrigerants



APPROVED BY :

DATE :

Approval of this drawing signifies that the equipment is acceptable under the provision of the job specifications. Any change made hereon by any person whomsoever subject to acceptance by NATIONAL REFRIGERATION at its home office.



**NATIONAL REFRIGERATION AND
AIR CONDITIONING CANADA CORP.**

159 ROY BLVD, PO BOX 2020
BRANTFORD, ON
CANADA N3T 5Y6

BEZA007H8-HT3D

**EZ-LINE SCROLL
CONDENSING UNITS-AIR**

PURCHASER :

SUBMITTED BY : **Laura Craig**

PROJECT : **South Middle School Lancaster SC**

DATE : **11 Oct 2022**

ORDER # : **06338.58290.00469-A00**

ITEM # : **1**

QUOTE # : **Q10EULCB-A**

ID # :

PURCHASER'S PO # :

TAGGING :

SELECTED OPTION DESCRIPTIONS

Liquid Line Filter + Sight Glass - Sealed

Sporlan C Series with ODF solder connections and Sporlan SA moisture indicator factory installed in liquid line.

Option Packages - Small B (Good@Warm/Moderate)

LLFD+SG

Time Clock - 115V Paragon 8145 Style

115V Defrost timer is time initiated, temperature or pressure terminated with a timed failsafe. Timer is shipped loose in a box for field installation.

Approval of this drawing signifies that the equipment is acceptable under the provision of the job specifications. Any change made hereon by any person whomsoever subject to acceptance by NATIONAL REFRIGERATION at its home office.



NATIONAL REFRIGERATION AND AIR CONDITIONING CANADA CORP.

159 ROY BLVD, PO BOX 2020
BRANTFORD, ON
CANADA N3T 5Y6

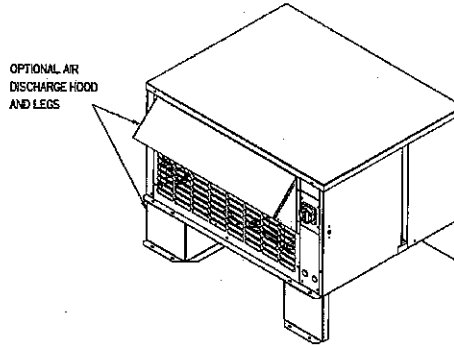
Order Item No: 1
BEZA007H8-HT3D
EZ-LINE SCROLL
CONDENSING UNITS-AIR

NATIONAL REFRIGERATION will furnish equipment in accordance with this drawing and specifications, and subject to its published warranty. Approval of this drawing signifies that the equipment is acceptable under the provision of the job specifications. Any change made hereon by any person whomsoever subject to acceptance by NATIONAL REFRIGERATION at its home office.

DATE : 11 Oct 2022
PURCHASER :
PROJECT : South Middle School Lancaster SC
SUBMITTED BY : Laura Craig

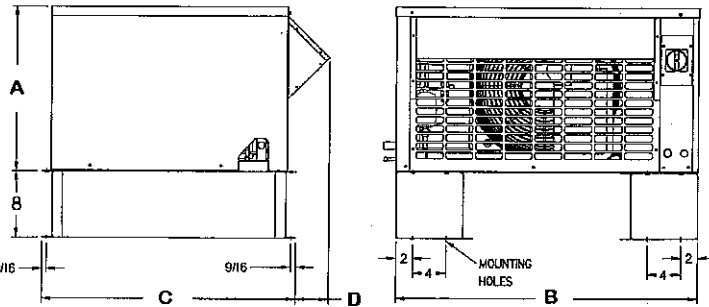
Dimensions shown are for standard unit less options.

| DIMENSIONS | |
|-------------|-----------|
| DIMENSION A | 19 3/8 in |
| DIMENSION B | 24 7/8 in |
| DIMENSION C | 30 3/8 in |
| DIMENSION D | 4 in |
| DIMENSION E | |
| DIMENSION F | |
| DIMENSION G | 0 in |
| DIMENSION H | |



| CONNECTIONS | |
|--------------------|--------|
| LIQUID | 3/8 in |
| SUCTION | 5/8 in |
| DRAIN | |
| WATER | |
| DISCHARGE | |
| PAN LOOP | |
| HOT GAS SIDE PORT | |
| HOT GAS INLET | |
| HOT GAS OUTLET | |
| OTHER | |
| SHIPPING WEIGHT | 183 lb |
| REFRIGERANT CHARGE | 3 lb |
| RECEIVER CAPACITY | 5 lb |

| APPROVALS | | | |
|-----------|--|--|--|
| | | | |
| | | | |



NOTES:

AWEF = 7.6 for R404A/R507/R407A/R448A/R449A. Non-compliant DOE NRCAN model for all other refrigerants



**NATIONAL REFRIGERATION AND
AIR CONDITIONING CANADA CORP.**

159 ROY BLVD, PO BOX 2020
BRANTFORD, ON
CANADA N3T 5Y6

BLP209MA-S1D

**LOW PROFILE
EVAPORATOR**

PURCHASER :

SUBMITTED BY : **Laura Craig**

PROJECT : **South Middle School Lancaster SC**

DATE : **11 Oct 2022**

ORDER # : **06338.58290.00469-A00**

ITEM # : **3**

QUOTE # : **Q10EULCB-A**

ID # :

PURCHASER'S PO # :

TAGGING :

MODEL FEATURES

- 3/8" Tubing coil construction (reduces refrigerant operating charge)
- Factory installed solenoid valve wire harness
- Heavy gauge textured aluminum cabinet construction resists scratches/corrosion
- Spacious piping end compartment allows for easy assembly

- Hinged drain pan with central universal drain connection (3/4" drain)
- Front access to spacious electrical and header compartments
- Schrader connection on suction header
- Attractive and durable high density polyethylene fan guards
- Ultra efficient Electronically Commutated Motor (ECM)

- ECM with SmartSpeed Technology
- High efficiency enhanced copper tube and aluminium fin coil design
- 6 FPI
- AWEF = 9.0
- Unit Cooler is AWEF/NRCAN compliant with R404A/R507/R448A/R449A/R407A/R407C

MODEL OPTIONS (* = Shipped Loose)

PRE-ASSEMBLED EVAP

- SmartVap+ with EEV + Solvlv
- Sporlan TXV, LLSV,T-stat
- KE2 Evap Efficiency w/Sporlan EEV
- *KE2 Evap Efficiency w/Sporlan EEV

Aux Sideport Connector

CABINET FINISH

- Painted White
- Stainless Steel

SENSORS FOR CPC BOARDS

- Coil Temp Sensor
- Return Air Temp Sensor

DEMAND DEFROST ELECTRONIC CONTROLLER

- KE2 Therm Evaporator Efficiency
- *KE2 Therm Evaporator Efficiency

Dual Circuit

ELECTRONIC CONTROLLER

- KE2 Temp+Defrost
- SmartVap+ Control Board and Display

EXPANSION VALVE

- Sporlan TXV
- Sporlan EEV
- EEV for SmartVap+

Evaporator Disconnect Switch

EVAPORATOR PRISON PACKAGE

- Tamper Proof Screws

Export Crating

COIL COATING

- E-Coat

FIN MATERIAL

- Gold Coat Fins
- Copper Fins

Insulated Drain Pan

KE2 THERM

- *CAT5e Shielded Cable - 50ft w/connectors
- 40' Leads on Sensors + Transducers
- Ethernet Adapter Kit
- *Remote Combo Display
- *Liquid / Suction Heat Exchanger

LIQUID LINE SOLENOID VALVE

- Sporlan
- Dual Voltage Coil 120-230V Field Wired

Nitrogen Charged and Sealed ROOM THERMOSTATS

- Mechanical
- *Mechanical
- *Johnson A19ABC
- *Johnson A421ABC-02C
- Johnson A421ABC-02

Wire Fan Guards

REMOTE DEFROST PANEL

- *230V Control
- *115V Control

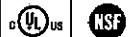
INSTALLATION REQUIREMENTS

- Minimum slope of 1" per foot on all drain lines
- P-trap per evap required outside of box

| | | | | | | | | | |
|-------------|--------|--------------------|-------|--------------|---------------|----------|-----------|------|------|
| VOLTAGE | | SYSTEM REFRIGERANT | | AIR FLOW | EVAP. TEMP | BOX TEMP | CAPACITY | | |
| 115/1/60 | | R404A | | 1500 CFM | 26.9 °F | 35 °F | 6866 BTUH | | |
| FANS | | HEATERS | | | CIRCUIT TOTAL | | | | |
| QTY | POWER | FLA/FAN | TYPE | QTY | AMPS | AMPS | WATTS | MCA† | MOP‡ |
| 2 | 0.07HP | 1 | | | | 2 | 120 | 2.3 | 15 |
| DISTRIBUTOR | 3/8 in | SOUND | - | REC CAPACITY | | | APPROVALS | | |
| SUCTION | 7/8 in | WEIGHT | 70 lb | REF CHARGE | 1 lb | | | | |

NOTES:

† MCA.. Minimum Circuit Ampacity, ‡ MOP.. Maximum Overcurrent Protection



APPROVED BY :

DATE :

Approval of this drawing signifies that the equipment is acceptable under the provision of the job specifications. Any change made hereon by any person whomsoever subject to acceptance by NATIONAL REFRIGERATION at its home office.



**NATIONAL REFRIGERATION AND
AIR CONDITIONING CANADA CORP.**
159 ROY BLVD, PO BOX 2020
BRANTFORD, ON
CANADA N3T 5Y6

BLP209MA-S1D

**LOW PROFILE
EVAPORATOR**

PURCHASER :

SUBMITTED BY : **Laura Craig**

PROJECT : **South Middle School Lancaster SC**

DATE : **11 Oct 2022**

ORDER # : **06338.58290.00469-A00**

ITEM # : **3**

QUOTE # : **Q10EULCB-A**

ID # :

PURCHASER'S PO # :

TAGGING :

SELECTED OPTION DESCRIPTIONS

Expansion Valve - Sporlan TXV

May be Type EBQ, S, SBF, O externally equalized thermostatic expansion valve. Valves are selected using the specified capacity and operating conditions of the refrigeration system as specified on the accompanying Certified Prints.

Installation Requirements - Minimum slope of 1" per foot on all drain lines

Bally recommends a minimum slope of 1" per foot on all drain lines.

Installation Requirements - P-trap per evap required outside of box

All evaporators must be trapped individually outside of the box to prevent vapor migration back to coil surface.

Liquid Line Solenoid Valve - Sporlan

Sporlan solenoid coil voltage matches evaporator voltage except when evaporator is 460V, then 230V solenoid coil is used. Exceptions must be clearly explained in the Notes of the option.

Pre-assembled Evap - Sporlan TXV, LLSV,T-stat

Option Package consists of factory installed Sporlan balance port TXV, Sporlan liquid line solenoid valve and Johnson Controls A19 Room thermostat.

Room Thermostats - Mechanical

Single stage temperature control with Single-Pole, Double-Throw (SPDT) mechanical switch. May be Johnson A19 or equal, Operating range of -30°F to +100°F. Adjustable differential of 3°F to 12°F. Factory installed and wired.

Approval of this drawing signifies that the equipment is acceptable under the provision of the job specifications. Any change made hereon by any person whomsoever subject to acceptance by NATIONAL REFRIGERATION at its home office.



NATIONAL REFRIGERATION AND AIR CONDITIONING CANADA CORP.

159 ROY BLVD, PO BOX 2020
BRANTFORD, ON
CANADA N3T 5Y6

Order Item No: 3
BLP209MA-S1D
LOW PROFILE
EVAPORATOR

NATIONAL REFRIGERATION will furnish equipment in accordance with this drawing and specifications, and subject to its published warranty. Approval of this drawing signifies that the equipment is acceptable under the provision of the job specifications. Any change made hereon by any person whomsoever subject to acceptance by NATIONAL REFRIGERATION at its home office.

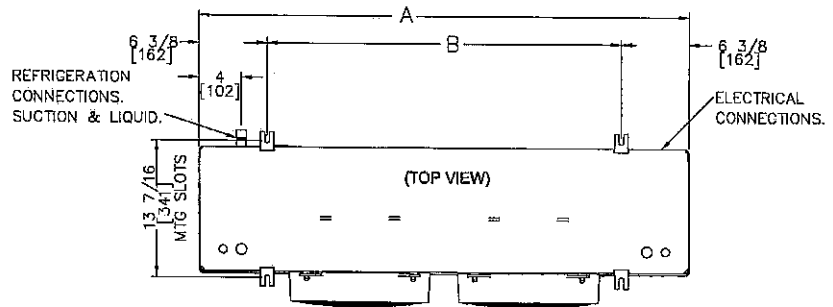
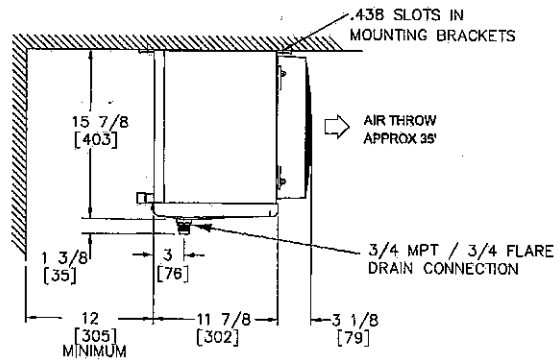
DATE : 11 Oct 2022
PURCHASER :
PROJECT : South Middle School Lancaster SC
SUBMITTED BY : Laura Craig

Dimensions shown are for standard unit less options.

| DIMENSIONS | |
|-------------|-----------|
| DIMENSION A | 46 1/4 in |
| DIMENSION B | 33 1/4 in |
| DIMENSION C | |
| DIMENSION D | |
| DIMENSION E | |
| DIMENSION F | |
| DIMENSION G | 0 in |
| DIMENSION H | |

| CONNECTIONS | |
|--------------------|--------|
| DISTRIBUTOR | 3/8 in |
| SUCTION | 7/8 in |
| DRAIN | 3/4 in |
| WATER | |
| DISCHARGE | |
| PAN LOOP | |
| HOT GAS SIDE PORT | |
| HOT GAS INLET | |
| HOT GAS OUTLET | |
| OTHER | |
| SHIPPING WEIGHT | 70 lb |
| REFRIGERANT CHARGE | 1 lb |
| RECEIVER CAPACITY | |

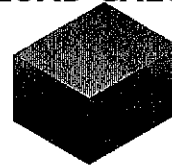
| APPROVALS | | | |
|-----------|--|--|--|
| | | | |
| | | | |



NOTES:



Freezer LOAD CALCULATION



| COOLING REQUIREMENTS | | | | | | | | | | |
|---|---|--------------------|--------------------------------------|------------------------------------|--------------------|------------------------|----------------|-------------------------|------------------------|--|
| Application | General Walk-in Freezer | | | Location | Indoor | | | | | |
| Internal Temp | -10 °F | Internal RH | 95% | External Temp | 85 °F | External RH | 55% | | | |
| Wall Load | 1,963 BTUH | Infiltration | 2,063 BTUH | Products | 175 BTUH | Miscellaneous | 767 BTUH | | | |
| | 40% | | 42% | | 4% | | 15% | | | |
| WALL, FLOOR AND CEILING LOADS | | | | | | | | | | |
| Section | Construction | Thickness (in) | K Factor | R Value | Ext Temp (°F) | Dim 1 (ft) | Dim 2 (ft) | Area (ft ²) | Load (BTUH) | |
| Rear | Urethane, Standard panels | 4.000 | 0.14 | 28.57 | 35.0 | 11.70 | 8.50 | 99 | 157 | |
| Right End | Urethane, Standard panels | 4.000 | 0.14 | 28.57 | 85.0 | 9.80 | 8.50 | 64 | 212 | |
| | Door | | | 15.00 | 85.0 | 3.00 | 6.50 | 20 | 123 | |
| Front | Urethane, Standard panels | 4.000 | 0.14 | 28.57 | 85.0 | 11.70 | 8.50 | 99 | 331 | |
| Left End | Urethane, Standard panels | 4.000 | 0.14 | 28.57 | 85.0 | 9.80 | 8.50 | 83 | 277 | |
| Floor | Insulated Floor - Panels On Concrete On Grade | 10.000 | 0.31 | 32.32 | | 11.70 | 9.80 | 115 | 482 | |
| Ceiling | Urethane, Standard panels | 4.000 | 0.14 | 28.57 | 85.0 | 11.70 | 9.80 | 115 | 381 | |
| VOLUME (ft ³) | | 975 | | TOTAL WALL, FLOOR AND CEILING LOAD | | | | 1,963 | | |
| INFILTRATION LOAD : ESTIMATED BY VOLUME AND USAGE | | | | | | | | | | |
| Box Usage | Internal Temp (°F) | Internal Rh (%) | External Temp (°F) | External Rh (%) | Ventilation (CFM) | Load (BTUH) | | | | |
| Regular | -10 | 95 | 85 | 55 | | 2,063 | | | | |
| PRODUCT LOADS | | | | | | | | | | |
| Type | | | Weight (lb) | Enter Temp (°F) | Final Temp (°F) | Pull Down (hrs) | Load (BTUH) | | | |
| General, Mixed Products, Approximation | | | 975 | 0.0 | -10.0 | 24 | 175 | | | |
| TOTAL PRODUCT WEIGHT (lbs) | | | 975 | | TOTAL PRODUCT LOAD | | | 175 | | |
| MISCELLANEOUS LOADS | | | | | | | | | | |
| Quantity | Description | | | Power | Units | Run Time (hrs) | Load (BTUH) | | | |
| | LIGHTING | | | 1 | W/ft ² | 24 | 391 | | | |
| 2 | EVAPORATOR MOTORS | | | 60 | W | 22 | 375 | | | |
| TOTAL MISCELLANEOUS LOAD | | | | | | 767 | | | | |
| SYSTEM DESIGN SUMMARY | | | | | | | | | | |
| Design Load (BTUH) | Safety Factor | Safety Load (BTUH) | Run Time (Hours) | Capacity Required (BTUH) | Refrigerant | Line Frequency (Hz) | Design TD (°F) | Line Loss (°F) | Condenser Ambient (°F) | |
| 4,967 | 10% | 5,464 | 18 | 7,285 | R448A | 60 | 10 | 0.5 | 105 | |
| SYSTEM EQUIPMENT SELECTION | | | | | | | | | | |
| Equipment Type | Quantity | Model Number | Description | | | Voltage | Rating (BTUH) | | | |
| Condensing Unit | 1 | BEZA025L8-HT3D | EZ-Line Scroll, Condensing Units-Air | | | 208-230/3/60 | | | | |
| Evaporator | 1 | BLP209LE-S2D | Low Profile, Evaporator | | | 208-230/1/60 | | | | |
| SYSTEM BALANCE | | | | | | | | | | |
| Fan Load (BTUH) | | Suction Temp (°F) | | Evaporator TD (°F) | | System Capacity (BTUH) | | | | |
| | | -19.4 | | 8.9 | | 8,441 | | | | |

**NATIONAL REFRIGERATION AND AIR CONDITIONING CANADA CORP.**159 ROY BLVD, PO BOX 2020
BRANTFORD, ON
CANADA N3T 5Y6**BEZA025L8-HT3D****EZ-LINE SCROLL
CONDENSING UNITS-AIR**

PURCHASER :

SUBMITTED BY : **Laura Craig**PROJECT : **South Middle School Lancaster SC**DATE : **11 Oct 2022**ORDER # : **06338.58290.00469-A00**ITEM # : **4**QUOTE # : **Q10EULCB-A**

ID # :

PURCHASER'S PO # :

TAGGING :

MODEL FEATURES

- 3/8" Tubing coil construction (reduces refrigerant operating charge)
- Anti-short cycle time delay
- Adjustable pressure fan cycling control on 2 fan models only
- Copper tubing secured with cushion clamps
- Crankcase heater
- Discharge line temperature sensor
- Fan Guard

- Fan motors are inherently protected with internal overloads
- Pre-formed piping
- Receiver with fusible plug and liquid shut off valve
- Suction Service valve
- Adjustable flooded head pressure control (unless otherwise indicated)
- Units are shipped with Helium holding charge

- Weatherproof electrical control box with compressor contactor and fused control circuit
- Welded hermetic Scroll compressor
- Adjustable low pressure control with flex hose / fixed high pressure control
- High efficiency enhanced copper tube and aluminium fin coil design
- Compatible with Low GWP Refrigerants
- Outdoor weatherproof pre-painted steel cabinet

MODEL OPTIONS (* = Shipped Loose)**OPTION PACKAGES**

- 1** Small B (Good@Warm/Moderate)
 Small N (Better@Warm/Moderate)
 Small P (Best@Warm/Moderate)
 Small D (Good@Moderate/Cold)
 Small J (Better@Moderate/Cold)
 Small Q (Best@Moderate/Cold)
 Small K
 Small H

ELECTRIC DEFROST KIT

- 1** DFK-02

115V Control Circuit

- ADJUSTABLE PRESSURE CONTROLS**
 Johnson Dual with flex hose
 Separate High/Low
 Separate High/Low: MAN Reset on HP

BALL VALVE

- *Liquid Line
 Liquid Line
 *Suction Line
 Suction Line

CAPACITY CONTROL - HOT GAS BYPASS

- To Inlet of Evaporator
 To Suction Line

Compressor Circuit Breaker**CONDENSING UNIT PRISON PACKAGE**

- Tamper Proof Screws
 Crankcase Pressure Regulator

CONTACTORS

- 30A Contactor
 40A Contactor
 60A Contactor

DEFROST KIT**(USE W/KE2 EVAP EFF)**

- Up to 30A per Evap
 35A to 50A per Evap
 Over 50A per Evap
 Discharge Air Hood
 Discharge Line Check Valve
 Discharge Line Temperature Sensor
 DISCONNECT SWITCH
 Fused
 Non-Fused

EC FAN MOTORS + SPEED CONTROLLER

- SmartSpeed
 ELECTRONIC PRESSURE CONTROL
 Low Pressure Control
 High Pressure Control

**Export Crating
EXTENDED 4-YEAR COMPRESSOR WARRANTY**

- Copeland
 Extended Leg Kit

COIL COATING

- E-Coat

FIN MATERIAL

- Gold Coat Fins
 Copper Fins
 Hail Guard for Condenser
 Heated and Insulated Receiver

HOUSING MATERIAL

- Stainless Steel
 Insulated Suction Line

LIQUID LINE FILTER + SIGHT GLASS

- 1** Sealed
 Replaceable
 Liquid Line Lock-Out Relay
 LIQUID LINE SOLENOID VALVE
 *Standard 230V Coil
 *Standard 115V Coil

OIL SEPARATOR

- With Oil Filter and Solenoid
 One Time Pump Down
 Oversized Receiver
 PHASE / VOLTAGE MONITOR

- 3-Lead
 6-Lead (MotorSaver455)
 Pump Down Toggle Switch
 QuickVac Valves
 Receiver Inlet Ball Valve
 Single Point Electrical
 Sub Cooling Circuit

SUCTION ACCUMULATOR

- With Heat Exchanger
 Without Heat Exchanger

SUCTION FILTER

- Sealed Type
 Replaceable Core

TIME CLOCK

- Paragon 8145 Style
 *230V Paragon 8145 Style
 *115V Paragon 8145 Style

Wind Guard

- Less Flooding Valve(s)**

| VOLTAGE | SYSTEM REFRIGERANT | RATING | SUCTION TEMP | AMBIENT TEMP | CAPACITY | | | | | |
|--------------|--------------------|------------|--------------|--------------|---------------|-----------|------|-------|------|------|
| 208-230/3/60 | R448A | 2.5Hp | -19.4 °F | 105 °F | 8441 BTUH | | | | | |
| FANS | | COMPRESSOR | | | CIRCUIT TOTAL | | | | | |
| QTY | POWER | FLA/FAN | TYPE | QTY | RLA | LRA | AMPS | WATTS | MCA† | MOP‡ |
| 1 | 240W | 1.1 | ZF08K4E-TF5 | 1 | 9.6 | 63 | 10.7 | | 13.1 | 20 |
| LIQUID | 3/8 in | SOUND | - | REC CAPACITY | 14 lb | APPROVALS | | | | |
| SUCTION | 7/8 in | WEIGHT | 335 lb | REF CHARGE | 6 lb | | | | | |

NOTES:

† MCA.. Minimum Circuit Ampacity, ‡ MOP.. Maximum Overcurrent Protection
MCA & MOP are for the condensing unit ONLY. Single point connections WILL show different on dataplate.
AWEF = 3.15 for R404A/R507/407A/R448A/R449A. Non-compliant DOE NRCAN model for all other refrigerants

**APPROVED BY :****DATE :**

Approval of this drawing signifies that the equipment is acceptable under the provision of the job specifications. Any change made hereon by any person whomsoever subject to acceptance by NATIONAL REFRIGERATION at its home office.



**NATIONAL REFRIGERATION AND
AIR CONDITIONING CANADA CORP.**
159 ROY BLVD, PO BOX 2020
BRANTFORD, ON
CANADA N3T 5Y6

BEZA025L8-HT3D

**EZ-LINE SCROLL
CONDENSING UNITS-AIR**

PURCHASER :

SUBMITTED BY : **Laura Craig**

PROJECT : **South Middle School Lancaster SC**

DATE : **11 Oct 2022**

ORDER # : **06338.58290.00469-A00**

ITEM # : **4**

QUOTE # : **Q10EULCB-A**

ID # :

PURCHASER'S PO # :

TAGGING :

SELECTED OPTION DESCRIPTIONS

Electric Defrost Kit - DFK-02

Electric Defrost Kit includes:

Mechanical Time Clock:

Time initiated temperature terminated with a timed failsafe.

Contactors:

Three pole definite purpose, 230V or 115V coil as defined by
the control circuit voltage

HtrCont1x 40A

Fuse Blocks:

1x 30A (2P) Class CC

Liquid Line Filter + Sight Glass - Sealed

Sporlan C Series with ODF solder connections and Sporlan SA
moisture indicator factory installed in liquid line.

Option Packages - Small B (Good@Warm/Moderate)

LLFD+SG

Approval of this drawing signifies that the equipment is acceptable under the provision of the job specifications. Any change made hereon by any person whomsoever subject to acceptance by NATIONAL REFRIGERATION at its home office.



NATIONAL REFRIGERATION AND AIR CONDITIONING CANADA CORP.

159 ROY BLVD, PO BOX 2020
BRANTFORD, ON
CANADA N3T 5Y6

Order Item No: 4
BEZA025L8-HT3D
EZ-LINE SCROLL
CONDENSING UNITS-AIR

NATIONAL REFRIGERATION will furnish equipment in accordance with this drawing and specifications, and subject to its published warranty. Approval of this drawing signifies that the equipment is acceptable under the provision of the job specifications. Any change made hereon by any person whomsoever subject to acceptance by NATIONAL REFRIGERATION at its home office.

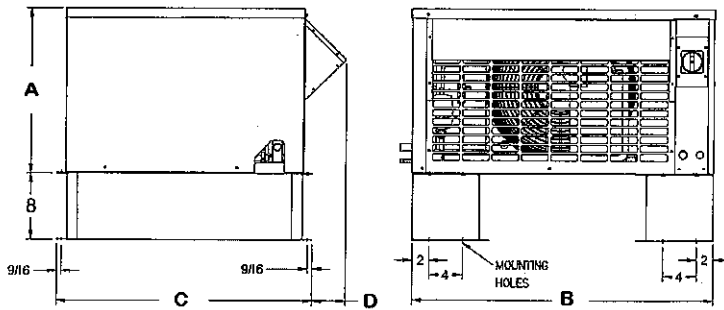
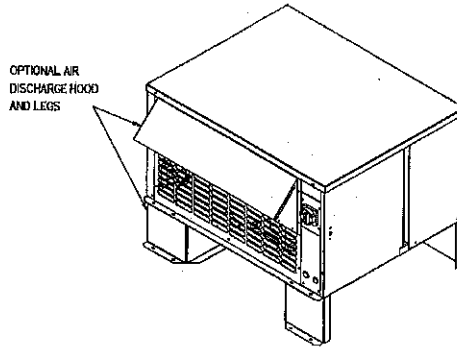
DATE : 11 Oct 2022
PURCHASER :
PROJECT : South Middle School Lancaster SC
SUBMITTED BY : Laura Craig

Dimensions shown are for standard unit less options.

| DIMENSIONS | |
|-------------|-----------|
| DIMENSION A | 19 7/8 in |
| DIMENSION B | 36 3/8 in |
| DIMENSION C | 30 3/8 in |
| DIMENSION D | 4 in |
| DIMENSION E | |
| DIMENSION F | |
| DIMENSION G | 0 in |
| DIMENSION H | |

| CONNECTIONS | |
|--------------------|--------|
| LIQUID | 3/8 in |
| SUCTION | 7/8 in |
| DRAIN | |
| WATER | |
| DISCHARGE | |
| PAN LOOP | |
| HOT GAS SIDE PORT | |
| HOT GAS INLET | |
| HOT GAS OUTLET | |
| OTHER | |
| SHIPPING WEIGHT | 335 lb |
| REFRIGERANT CHARGE | 6 lb |
| RECEIVER CAPACITY | 14 lb |

| APPROVALS | | | |
|-----------|--|--|--|
| | | | |
| | | | |



NOTES:

AWEF = 3.15 for R404A/R507/407A/R448A/R449A. Non-compliant DOE NRCAN model for all other refrigerants



NATIONAL REFRIGERATION AND AIR CONDITIONING CANADA CORP.

159 ROY BLVD, PO BOX 2020
BRANTFORD, ON
CANADA N3T 5Y6

BLP209LE-S2D

LOW PROFILE EVAPORATOR

PURCHASER : SUBMITTED BY : **Laura Craig**
PROJECT : **South Middle School Lancaster SC** DATE : **11 Oct 2022**
ORDER # : **06338.58290.00469-A00** ITEM # : **5**
QUOTE # : **Q10EULCB-A** ID # :
PURCHASER'S PO # : TAGGING :

MODEL FEATURES

- 3/8" Tubing coil construction (reduces refrigerant operating charge)
- Factory installed solenoid valve wire harness
- Heavy gauge textured aluminum cabinet construction resists scratches/corrosion
- Spacious piping end compartment allows for easy assembly

- Hinged drain pan with central universal drain connection (3/4" drain)
- Front access to spacious electrical and header compartments
- Schrader connection on suction header
- Attractive and durable high density polyethylene fan guards

- Ultra efficient Electronically Commutated Motor (ECM)
- ECM with SmartSpeed Technology
- High efficiency enhanced copper tube and aluminium fin coil design
- 6 FPI
- Unit Cooler is AWEF/NRCAN compliant with R404A/R507/R448A/R449A/R407A

MODEL OPTIONS (* = Shipped Loose)

- PRE-ASSEMBLED EVAP**
- SmartVap+ with EEV + Solvly Sporlan TXV, LLSV,T-stat
- KE2 Evap Efficiency w/Sporlan TXV
- KE2 Evap Efficiency w/Sporlan EEV
- *KE2 Evap Efficiency w/Sporlan TXV
- *KE2 Evap Efficiency w/Sporlan EEV
- Aux Sideport Connector**
- CABINET FINISH**
- Painted White
- Stainless Steel
- SENSORS FOR CPC BOARDS**
- Coil Temp Sensor
- Return Air Temp Sensor
- DEMAND DEFROST ELECTRONIC CONTROLLER**
- KE2 Adaptive Control
- *KE2 Adaptive Control
- KE2 Therm Evaporator Efficiency
- *KE2 Therm Evaporator Efficiency
- Dual Circuit**

- ELECTRONIC CONTROLLER**
- SmartVap+ Control Board and Display
- EXPANSION VALVE**
- Sporlan TXV
- Sporlan EEV
- EEV for SmartVap+
- EVAPORATOR PRISON PACKAGE**
- Tamper Proof Screws
- Export Crating**
- COIL COATING**
- E-Coat
- FIN MATERIAL**
- Gold Coat Fins
- Copper Fins
- Insulated Drain Pan**
- KE2 THERM**
- *CAT5e Shielded Cable - 50ft w/connectors
- 40' Leads on Sensors + Transducers
- Ethernet Adapter Kit
- *Remote Combo Display
- *Liquid / Suction Heat Exchanger

- LIQUID LINE SOLENOID VALVE**
- Sporlan
- Dual Voltage Coil 120-230V Field Wired**
- Nitrogen Charged and Sealed ROOM THERMOSTATS**
- Mechanical
- *Mechanical
- *Johnson A19ABC
- *Johnson A421ABC-02C
- Johnson A421ABC-02
- Wire Fan Guards**
- REMOTE DEFROST PANEL**
- *230V Control
- *115V Control
- INSTALLATION REQUIREMENTS**
- Minimum slope of 1" per foot on all drain lines
- P-trap per evap required outside of box
- Insulated drain line requires heat - 20W/ft

| | | | | | | | | | | | |
|--|--------|--------------------|---------|--------------|------|------------|---------------|----------|------|-----------|--|
| VOLTAGE | | SYSTEM REFRIGERANT | | AIR FLOW | | EVAP. TEMP | | BOX TEMP | | CAPACITY | |
| 208-230/1/60 | | R448A | | 1410 CFM | | -18.9 °F | | -10 °F | | 8441 BTUH | |
| FANS | | | HEATERS | | | | CIRCUIT TOTAL | | | | |
| QTY | POWER | FLA/FAN | TYPE | QTY | AMPS | | AMPS | WATTS | MCA† | MOP‡ | |
| 2 | 0.07HP | 0.6 | | | | | 1.2 | 120 | 1.4 | 15 | |
| DEFROST HTRS | | | | 8.2 | | 1890 | | 10.3 | | 15 | |
| DISTRIBUTOR | 3/8 in | SOUND | - | REC CAPACITY | | | APPROVALS | | | | |
| SUCTION | 7/8 in | WEIGHT | 80 lb | REF CHARGE | 2 lb | | | | | | |
| NOTES: | | | | | | | | | | | |
| † MCA.. Minimum Circuit Ampacity, ‡ MOP.. Maximum Overcurrent Protection | | | | | | | | | | | |

APPROVED BY : _____ **DATE :** _____

Approval of this drawing signifies that the equipment is acceptable under the provision of the job specifications. Any change made hereon by any person whomsoever subject to acceptance by NATIONAL REFRIGERATION at its home office.



**NATIONAL REFRIGERATION AND
AIR CONDITIONING CANADA CORP.**

159 ROY BLVD, PO BOX 2020
BRANTFORD, ON
CANADA N3T 5Y6

BLP209LE-S2D

**LOW PROFILE
EVAPORATOR**

PURCHASER :

SUBMITTED BY : **Laura Craig**

PROJECT : **South Middle School Lancaster SC**

DATE : **11 Oct 2022**

ORDER # : **06338.58290.00469-A00**

ITEM # : **5**

QUOTE # : **Q10EULCB-A**

ID # :

PURCHASER'S PO # :

TAGGING :

SELECTED OPTION DESCRIPTIONS

Expansion Valve - Sporlan TXV

May be Type EBQ, S, SBF, O externally equalized thermostatic expansion valve. Valves are selected using the specified capacity and operating conditions of the refrigeration system as specified on the accompanying Certified Prints.

**Installation Requirements - Insulated drain line
requires heat - 20W/ft**

Freezer condensate drain lines must be insulated and heated with a minimum of 20 watts per foot.

**Installation Requirements - Minimum slope of 1" per
foot on all drain lines**

Bally recommends a minimum slope of 1" per foot on all drain lines.

**Installation Requirements - P-trap per evap required
outside of box**

All evaporators must be trapped individually outside of the box to prevent vapor migration back to coil surface.

Liquid Line Solenoid Valve - Sporlan

Sporlan solenoid coil voltage matches evaporator voltage except when evaporator is 460V, then 230V solenoid coil is used. Exceptions must be clearly explained in the Notes of the option.

Pre-assembled Evap - Sporlan TXV, LLSV, T-stat

Option Package consists of factory installed Sporlan balance port TXV, Sporlan liquid line solenoid valve and Johnson Controls A19 Room thermostat.

Room Thermostats - Mechanical

Single stage temperature control with Single-Pole, Double-Throw (SPDT) mechanical switch. May be Johnson A19 or equal, Operating range of -30°F to +100°F. Adjustable differential of 3°F to 12°F. Factory installed and wired.

Approval of this drawing signifies that the equipment is acceptable under the provision of the job specifications. Any change made hereon by any person whomsoever subject to acceptance by NATIONAL REFRIGERATION at its home office.



NATIONAL REFRIGERATION AND AIR CONDITIONING CANADA CORP.
 159 ROY BLVD, PO BOX 2020
 BRANTFORD, ON
 CANADA N3T 5Y6

Order Item No: 5
BLP209LE-S2D
LOW PROFILE
EVAPORATOR

NATIONAL REFRIGERATION will furnish equipment in accordance with this drawing and specifications, and subject to its published warranty. Approval of this drawing signifies that the equipment is acceptable under the provision of the job specifications. Any change made hereon by any person whomsoever subject to acceptance by NATIONAL REFRIGERATION at its home office.

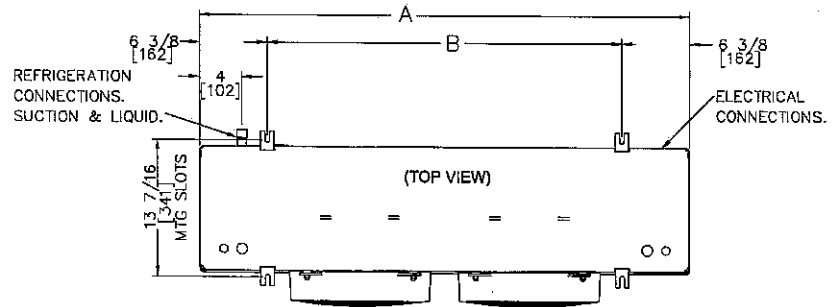
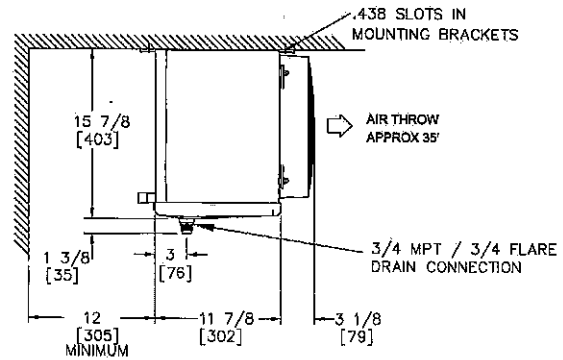
DATE : 11 Oct 2022
 PURCHASER :
 PROJECT : South Middle School Lancaster SC
 SUBMITTED BY : Laura Craig

Dimensions shown are for standard unit less options.

| DIMENSIONS | |
|-------------|-----------|
| DIMENSION A | 46 1/4 in |
| DIMENSION B | 33 1/4 in |
| DIMENSION C | |
| DIMENSION D | |
| DIMENSION E | |
| DIMENSION F | |
| DIMENSION G | 0 in |
| DIMENSION H | |

| CONNECTIONS | |
|--------------------|--------|
| DISTRIBUTOR | 3/8 in |
| SUCTION | 7/8 in |
| DRAIN | 3/4 in |
| WATER | |
| DISCHARGE | |
| PAN LOOP | |
| HOT GAS SIDE PORT | |
| HOT GAS INLET | |
| HOT GAS OUTLET | |
| OTHER | |
| SHIPPING WEIGHT | 80 lb |
| REFRIGERANT CHARGE | 2 lb |
| RECEIVER CAPACITY | |

| APPROVALS | | | |
|-----------|--|--|--|
| | | | |
| | | | |



NOTES:



Specifications

SWANSON-GIRARD

CULINARY SOLUTIONS

Project
South Middle School

From
Swanson-Girard & Assoc.
Becky Jersey
10420 Southern Loop Blvd.
Pineville, NC 28134
(704)521-8811
(888)521-0778 0000 (Contact)
(704)521-8801 (Fax)
bjersey@swanson-girard.com

ITEM Combo SHELVING, WITH METAL FRAME (4 REQ'D)

Cooler -

Metro Model PR2448NK3 Dimensions: 48(w) x 24(d)

Super Erecta Pro™ Shelf, 48"W x 24"D, removable polymer shelf mat, Metroseal 3™ epoxy-coated frame, built-in Microban product protection, split sleeves, attaches to Super Erecta® round posts, NSF

- 8 ea Model PR2460NK3 Super Erecta Pro™ Shelf, 60"W x 24"D, removable polymer shelf mat, Metroseal 3™ epoxy-coated frame, built-in Microban product protection, split sleeves, attaches to Super Erecta® round posts, NSF
- 12 ea Model PR2442NK3 Super Erecta Pro™ Shelf, 42"W x 24"D, removable polymer shelf mat, Metroseal 3™ epoxy-coated frame, built-in Microban product protection, split sleeves,

- attaches to Super Erecta® round posts, NSF
- 24 ea Model 74PK3 Super Erecta® SiteSelect™ Post, 74-1/2"H, adjustable leveling bolt, posts are grooved at 1" increments & numbered at 2" increments, double grooved every 8", Metroseal 3 Green epoxy coated corrosion-resistant finish with Microban® antimicrobial protection
 - 1 ea Model HP2236PD Metro Bow-Tie™ Dunnage Rack, 22" x 36" x 12"H, slotted, with separate polymer tie for joining racks, corrosion proof polymer construction, NSF

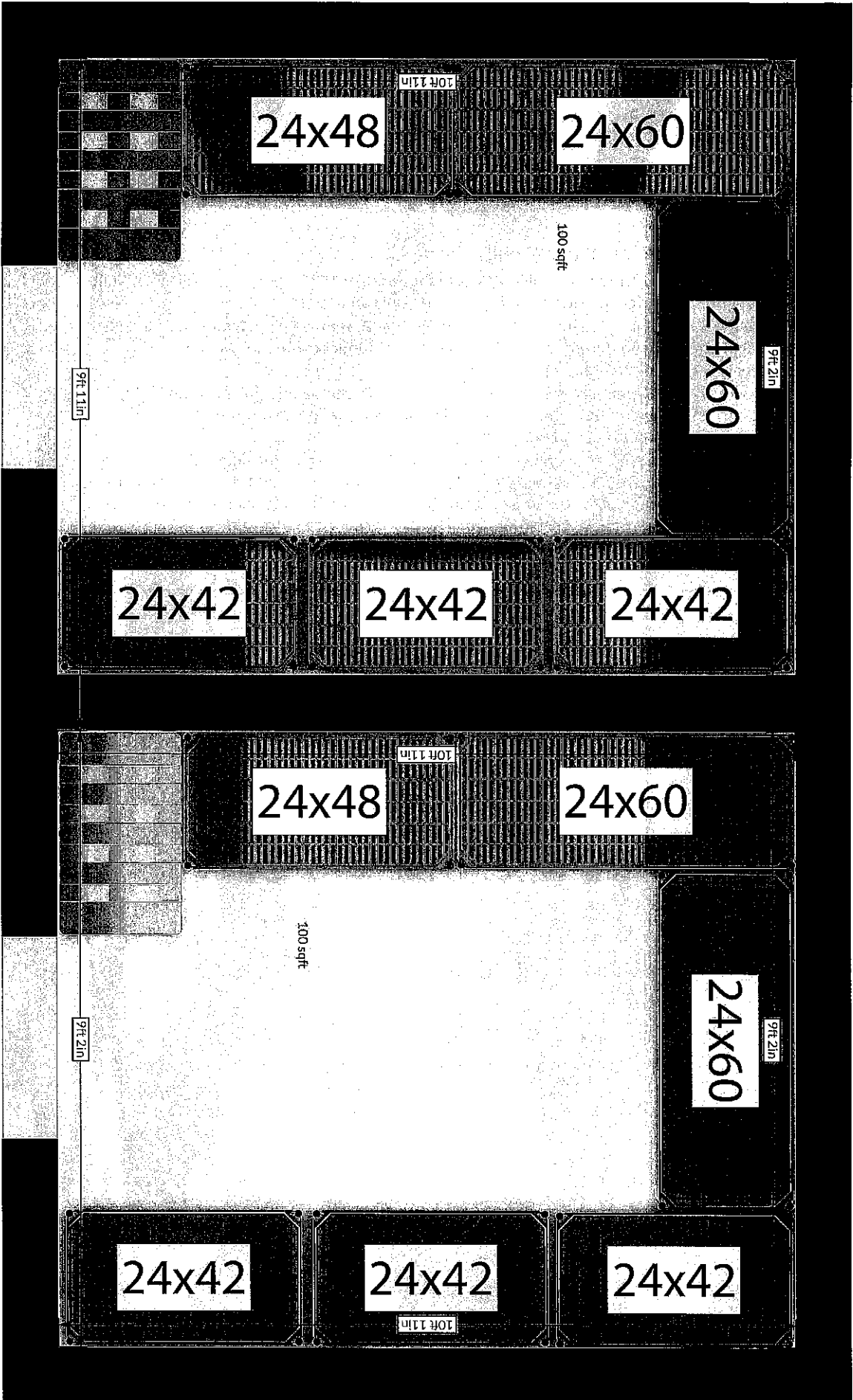
ITEM Combo SHELIVING, WITH METAL FRAME (4 REQ'D)

Freezer -

Metro Model PR2448NK3 Dimensions: 48(w) x 24(d)

Super Erecta Pro™ Shelf, 48"W x 24"D, removable polymer shelf mat, Metroseal 3™ epoxy-coated frame, built-in Microban product protection, split sleeves, attaches to Super Erecta® round posts, NSF

- 8 ea Model PR2460NK3 Super Erecta Pro™ Shelf, 60"W x 24"D, removable polymer shelf mat, Metroseal 3™ epoxy-coated frame, built-in Microban product protection, split sleeves, attaches to Super Erecta® round posts, NSF
- 12 ea Model PR2442NK3 Super Erecta Pro™ Shelf, 42"W x 24"D, removable polymer shelf mat, Metroseal 3™ epoxy-coated frame, built-in Microban product protection, split sleeves, attaches to Super Erecta® round posts, NSF
- 24 ea Model 74PK3 Super Erecta® SiteSelect™ Post, 74-1/2"H, adjustable leveling bolt, posts are grooved at 1" increments & numbered at 2" increments, double grooved every 8", Metroseal 3 Green epoxy coated corrosion-resistant finish with Microban® antimicrobial protection
- 1 ea Model HP2236PD Metro Bow-Tie™ Dunnage Rack, 22" x 36" x 12"H, slotted, with separate polymer tie for joining racks, corrosion proof polymer construction, NSF



Attachment E-4 Combo Cooler Freezer - Revised



Bally Refrigerated Boxes, Inc.
Morehead City, NC 28557 (800) 242-2559

Last Update: 10/12/2022
Revisor: Laura Craig
To: All Bidders

Quote No: 2751-002-R03-LC
Item No:
Job Name: South Middle School
Date: 10/12/2022 **PVD:** 10/3/2022
From: Laura Craig
 Swanson-Girard & Associates
 10420 Southern Loop Blvd
 Pineville, NC 28134

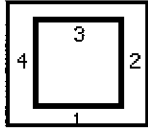
Attn:

Phone: **Fax:** (704)521-8801

Box Shape

Indoor Structure

NSF APPROVED



Bally Prefabricated Exterior Dimensions:

9'-8"(l) x 6'-9½"(w) x 7'-6"(h)
 1 Compartments 1 Tiers With Floor 4" Floor
 Ceiling: Single Span

Panel Thickness:

4 in. Exterior Vertical Used (6'-10") with 4 in. Floor, 4 in. Ceiling

Details on Following Page(s)

NOTE: Freight shown is an estimate based on current published rates. A fuel surcharge will be added and changes continuously.

Walk-in Price:

Refrigeration Price:

Total Price (FOB Plant) (Less Refrig. Warranties):

Estimated Freight:

Optional Warranties: (not included in Total Price)

(1) 00 1/2 HP System (5 yr. Parts , 1 yr. Labor)

Payment terms and conditions are available upon request.

This quotation was based on information supplied to us which may or may not have been complete. Customer is responsible for reviewing this quotation for exclusions, deviations, and any improper information supplied to us.

Signature: _____

Laura Craig

Date: _____

We are not responsible for the selection or recommendation of the panel finish for any building or walk-in application.

NOTE: Quoting Bally standard specifications, sizes, and finishes.

This quotation is good through 11/26/2022

Act of 2007 (Public Law 110-140) Title III; Section 312, regarding Walk-In Coolers and Walk-In Freezers.



Bally Refrigerated Boxes, Inc.
Morehead City, NC 28557 (800) 242-2559

Last Update: 10/12/2022
Revisor: Laura Craig
To: All Bidders

Quote No: 2751-002-R03-LC
Item No:
Job Name: South Middle School
Date: 10/12/2022 **PVD:** 10/3/2022
From: Laura Craig
 Swanson-Girard & Associates
 10420 Southern Loop Blvd
 Pineville, NC 28134

Attn:

Phone: **Fax:** (704)521-8801

Indoor Structure

NSF APPROVED

Bally Prefabricated Exterior Dimensions:

9'-8"(l) x 6'-9½"(w) x 7'-6"(h)
 1 Compartments 1 Tiers With Floor 4" Floor
 Ceiling: Single Span

Panel Thickness:

4 in. Exterior Vertical Used (6'-10") with 4 in. Floor, 4 in. Ceiling

Details and specifications for Quote No: 2751-002-R03-LC

Comments:

Base Finish

Vertical and Ceiling Panels: Embossed Galvalume (26 GA)

Special Finishes:

Interior Floor - Aluminum Treadplate .125" Thick

Doors/Openings:

Wall 2 Door 1 (1) 36" x 78" Hinged Door In a 46"
 Wall 2 Door 1 (1) Super Door 36" Wide and Under, 30" High

Accessories and Extras:

(1) 48" LED KEIL 48x754-CL-N Light
 - 40° F to 100° F(Range)
 (1) To be installed in 4" Depression Below Finished Floor

Floor Options:

(70) S/F 1/2" Plywood Foamed in Panel

Refrigeration:

(1) BEHA-006-M8-HS2D 208-230/1/60
 R448A & R404A - 6200 BTU/h
 (1) BLP107-MA-S1D 115/1/60
 1 Fan 7000 BTU/h
 (1) Refrigeration is calculated for standard use at a box temperature of
 35° F. with a condensing unit ambient of 105° F.
 (1) The refrigeration is calculated for a line run of less than 50'
 (1) Time Clock 8145 (shipped loose) 115/1/60

Estimated Shipping:

Weight: 2,222.42

Destination: Lancaster, SC, 29720



Bally Refrigerated Boxes, Inc.
Morehead City, NC 28557 (800) 242-2559

Last Update: 10/12/2022
Revisor: Laura Craig
To: All Bidders

Quote No: 2751-002-R03-LC
Item No:
Job Name: South Middle School
Date: 10/12/2022 **PVD:** 10/3/2022
From: Laura Craig
 Swanson-Girard & Associates
 10420 Southern Loop Blvd
 Pineville, NC 28134

Phone: **Fax:** (704)521-8801

Deviations (Alternates, Remarks, Clarifications, Etc.):

Bally Floor Panels are capable of supporting up to 800 lbs. Per Sq/Ft uniformly distributed stationary loading. Bally does not recommend the use rolling loads of heavy carts, pallet jacks or fork lifts on top of the floors. Warranty for floors subjected to this type of use would not be covered by Bally.

Exclusions (Items Not Supplied by Bally):

- | | |
|---|--|
| <input checked="" type="checkbox"/> Shelving, Racks, Interior Accessories | <input checked="" type="checkbox"/> Caulking and Sealants |
| <input type="checkbox"/> Labor on Warranties | <input type="checkbox"/> Refrigeration Systems |
| <input checked="" type="checkbox"/> Alarm Systems | <input checked="" type="checkbox"/> Refrigeration Accessories |
| <input checked="" type="checkbox"/> Supervision | <input checked="" type="checkbox"/> Closure Panel and Trim |
| <input checked="" type="checkbox"/> Tubing, Wiring for Rfg. Equipment | <input checked="" type="checkbox"/> Sleeves, Penetrations, Escutcheon Plates |
| <input checked="" type="checkbox"/> Compressor Rack | <input checked="" type="checkbox"/> Floor Insulation and Vapor Barrier |

Cancelled Orders: Cancelled unshipped standard walk-ins will be charged a 30% restocking fee plus the cost of special panels. Cancelled refrigeration systems will be charged a 30% restocking fee and the cost of any freight accrued. Buy-out items will be charged a 25% restocking fee plus any freight accrued.

Agency Ratings: Bally units comply or surpass applicable Flame Spread-25, UL, UL 723, & NSF standards in a manner conforming to ASTM E-84, and Factory Mutual standards.

Quotation Limitations: This quotation was based upon the specifications given to Bally which may possibly be incomplete. Bally is not responsible for items missing from the quotation due to incomplete or excluded items in the specifications received from the customer. The customer is responsible for reviewing the quotation for omissions or deviations from the specifications given to Bally. All portions of the quotation are subject to revision upon receipt of detailed specifications or if changes are made following the delivery of the original quotation. Quotations expire on the date indicated on Page 1 of the Quote. Approval drawings must be returned within 60 days of receipt of the purchase order. The order must ship within the agreed upon time frames or current lead times, but no later than 7 months. Any deviations to this quotation (dimensions or specification changes) will require updated pricing.

Panel Construction: Bally Panels are manufactured with environmentally friendly HFC 245-FA polyurethane foam. This polyurethane foam offers the highest thermal insulation value and the most energy efficiency per cubic inch in comparison to similar foams. It has a zero Ozone Depletion Potential (ODP) and a low Global Warming Potential (GWP). It is not considered a Volatile Organic Compound (VOC) in the US. Standard 4" Bally panels meet the 2009 Federal Energy Standards.

Refrigerants: Unless otherwise specified, refrigeration systems are quoted with environmentally friendly HFO R448A refrigerant. It has a Low Global Warming Potential (GWP) and the EPA lists it as an acceptable substitute for R404A and other high GWP refrigerants.

Automatic Door Closers: Bally includes automatic door closers and spring loaded hinges on all doors 42" wide and smaller as a standard feature with no additional charge that meet the 2009 Federal Energy Standards.

Motors: Bally units are quoted with EC and PSC motors in compliance with federal energy standards, for increased energy savings.

Lighting: Bally units are quoted with lighting in compliance with federal Energy Standards for increased energy savings.

Optional Features: Bally offers additional optional energy-saving features such as Walk-In Alarm & Light Management systems that comply or surpass the 2009 Federal energy regulations.



Bally Refrigerated Boxes, Inc.
Morehead City, NC 28557 (800) 242-2559

Last Update: 10/12/2022
Revisor: Laura Craig
To: All Bidders

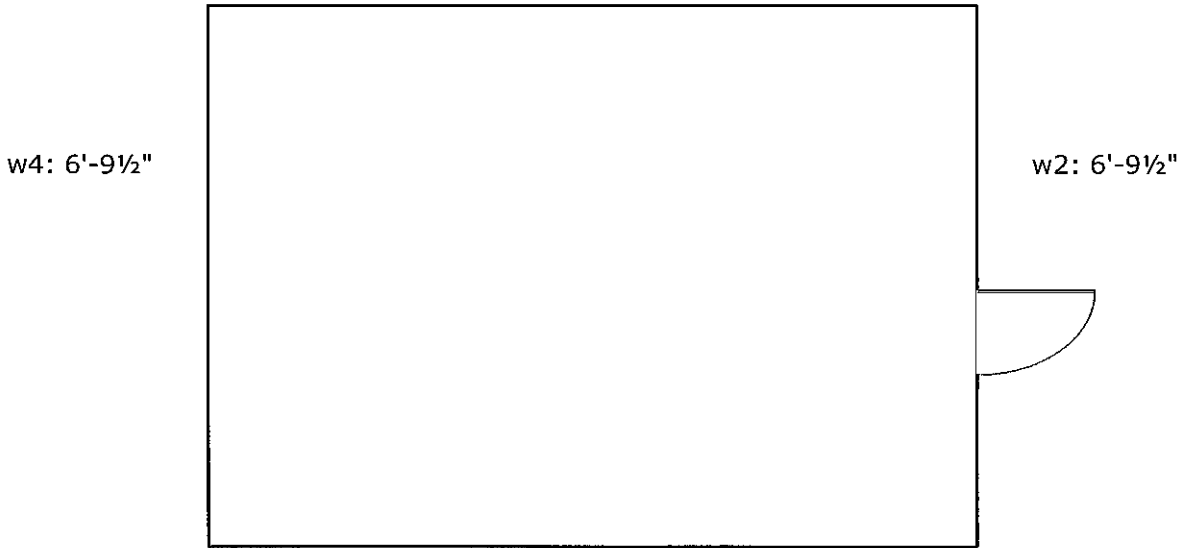
Quote No: 2751-002-R03-LC
Item No:
Job Name: South Middle School
Date: 10/12/2022 *PVD:* 10/3/2022
From: Laura Craig
 Swanson-Girard & Associates
 10420 Southern Loop Blvd
 Pineville, NC 28134

Attn:

Phone: *Fax:* (704)521-8801

This drawing is for reference purposes only and it not intended to be a formal scale model.

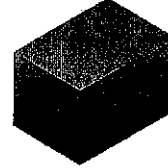
w3: 9'-8"



w1: 9'-8"

DOOR 1: Wall2 36" x 78" Hinged Door In a 46" Centered Hinge:Right Orientaion:Regular

Single Cooler LOAD CALCULATION



| COOLING REQUIREMENTS | | | | | | | | | |
|---|---|--------------------|---|---------------------------|------------------------|---------------------|----------------|----------------|------------------------|
| Application | General Walk-in Cooler | | | Location | Indoor | | | | |
| Internal Temp | 35 °F | Internal RH | 84% | External Temp | 85 °F | External RH | 55% | | |
| Wall Load | 750 BTUH | Infiltration | 1,491 BTUH | Products | 322 BTUH | Miscellaneous | 433 BTUH | | |
| | 25% | | 50% | | 11% | | 14% | | |
| WALL, FLOOR AND CEILING LOADS | | | | | | | | | |
| Section | Construction | Thickness (in) | K Factor | R Value | Ext Temp (°F) | Dim 1 (ft) | Dim 2 (ft) | Area (ft²) | Load (BTUH) |
| Rear | Urethane, Standard panels | 4.000 | 0.14 | 28.57 | 85.0 | 9.70 | 7.50 | 73 | 127 |
| Right End | Urethane, Standard panels | 4.000 | 0.14 | 28.57 | 85.0 | 6.90 | 7.50 | 32 | 56 |
| | Door | | | 15.00 | 85.0 | 3.00 | 6.50 | 20 | 65 |
| Front | Urethane, Standard panels | 4.000 | 0.14 | 28.57 | 85.0 | 9.70 | 7.50 | 73 | 127 |
| Left End | Urethane, Standard panels | 4.000 | 0.14 | 28.57 | 85.0 | 6.90 | 7.50 | 52 | 91 |
| Floor | Insulated Floor - Panels On Concrete On Grade | 10.000 | 0.31 | 32.32 | | 9.70 | 6.90 | 67 | 166 |
| Ceiling | Urethane, Standard panels | 4.000 | 0.14 | 28.57 | 85.0 | 9.70 | 6.90 | 67 | 117 |
| VOLUME (ft³) | | 502 | TOTAL WALL, FLOOR AND CEILING LOAD | | | | | 750 | |
| INFILTRATION LOAD - ESTIMATED BY VOLUME AND USAGE | | | | | | | | | |
| Box Usage | Internal Temp (°F) | Internal Rh (%) | External Temp (°F) | External Rh (%) | Ventilation (CFM) | Load (BTUH) | | | |
| Heavy | 35 | 84 | 85 | 55 | | 1,491 | | | |
| PRODUCT LOADS | | | | | | | | | |
| Type | | | Weight (lb) | Enter Temp (°F) | Final Temp (°F) | Pull Down (hrs) | Load (BTUH) | | |
| General, Mixed Products, Approximation | | | 1,004 | 45.0 | 35.0 | 24 | 322 | | |
| TOTAL PRODUCT WEIGHT (lbs) | | | 1,004 | TOTAL PRODUCT LOAD | | | 322 | | |
| MISCELLANEOUS LOADS | | | | | | | | | |
| Quantity | Description | | | Power | Units | Run Time (hrs) | Load (BTUH) | | |
| | LIGHTING | | | 1 | W/ft² | 24 | 228 | | |
| 1 | EVAPORATOR MOTORS | | | 60 | W | 24 | 205 | | |
| TOTAL MISCELLANEOUS LOAD | | | | | | | 433 | | |
| SYSTEM DESIGN SUMMARY | | | | | | | | | |
| Design Load (BTUH) | Safety Factor | Safety Load (BTUH) | Run Time (Hours) | Capacity Required (BTUH) | Refrigerant | Line Frequency (Hz) | Design TD (°F) | Line Loss (°F) | Condenser Ambient (°F) |
| 2,996 | 10% | 3,296 | 16 | 4,944 | R448A | 60 | 10.1 | 0.5 | 105 |
| SYSTEM EQUIPMENT SELECTION | | | | | | | | | |
| Equipment Type | Quantity | Model Number | Description | | | Voltage | Rating (BTUH) | | |
| Condensing Unit | 1 | BEHA006M8-HS2D | EH-Line Hermetic, Condensing Units-Air | | | 208-230/1/60 | | | |
| Evaporator | 1 | BLP107MA-S1D | Low Profile, Evaporator | | | 115/1/60 | | | |
| SYSTEM BALANCE | | | | | | | | | |
| Fan Load (BTUH) | Suction Temp (°F) | | Evaporator TD (°F) | | System Capacity (BTUH) | | | | |
| | 26.5 | | 8 | | 5,610 | | | | |



NATIONAL REFRIGERATION AND AIR CONDITIONING CANADA CORP.

159 ROY BLVD, PO BOX 2020
BRANTFORD, ON
CANADA N3T 5Y6

BEHA006M8-HS2D

EH-LINE HERMETIC CONDENSING UNITS-AIR

PURCHASER :

SUBMITTED BY : **Laura Craig**

PROJECT : **South Middle School Lancaster SC**

DATE : **11 Oct 2022**

ORDER # : **06338.58290.00469-A00**

ITEM # : **6**

QUOTE # : **Q10EULCB-A**

ID # :

PURCHASER'S PO # :

TAGGING :

MODEL FEATURES

- Copper tubing secured with cushion clamps
- Crankcase heater
- High efficiency PSC fan motor with internal overload protection
- Outdoor weather-resistant housing made from G90 galvanized steel
- Pre-formed piping
- Receiver with fusible plug and liquid shut off valve

- Suction Service valve
- Adjustable flooded head pressure control (unless otherwise indicated)
- Units are shipped with Helium holding charge
- Weatherproof electrical control box with compressor contactor and fused control circuit

- Adjustable low pressure control with flex hose / fixed high pressure control
- ECM with SmartSpeed Technology
- High efficiency enhanced copper tube and aluminium fin coil design
- Outdoor weatherproof pre-painted steel cabinet
- AWEF = 7.6 FOR R404A/R507/R448A/R449A ONLY

OPTION PACKAGES

- 1** Small B (Good@Warm/Moderate)
- Small N (Better@Warm/Moderate)
- Small P (Best@Warm/Moderate)
- Small D (Good@Moderate/Cold)
- Small J (Better@Moderate/Cold)
- Small Q (Best@Moderate/Cold)
- Small K
- Small H
- 115V Control Circuit**
- ADJUSTABLE PRESSURE CONTROLS**
- Johnson Dual with flex hose
- Separate High/Low
- BALL VALVE**
- *Liquid Line
- *Suction Line
- CAPACITY CONTROL - HOT GAS BYPASS**
- To Inlet of Evaporator
- To Suction Line
- Compressor Circuit Breaker**
- Compressor Time Delay Relay**
- CONDENSING UNIT PRISON PACKAGE**
- Tamper Proof Screws
- Crankcase Pressure Regulator**
- Discharge Air Hood**
- DISCONNECT SWITCH**
- Fused

MODEL OPTIONS (* = Shipped Loose)

- DISCONNECT SWITCH Continued**
- Non-Fused
- EC FAN MOTORS + SPEED CONTROLLER**
- All Motors Variable Speed - 230V Units
- Export Crating**
- EXTENDED 4-YEAR COMPRESSOR WARRANTY**
- Copeland
- Extended Leg Kit**
- COIL COATING**
- E-Coat
- FIN MATERIAL**
- Gold Coat Fins
- Copper Fins
- Hail Guard for Condenser**
- Heated and Insulated Receiver**
- HOUSING MATERIAL**
- Stainless Steel
- Insulated Suction Line**
- LIQUID LINE FILTER + SIGHT GLASS**
- 1** Sealed
- Liquid Line Lock-Out Relay**
- LIQUID LINE SOLENOID VALVE**
- *Standard 230V Coil
- *Standard 115V Coil
- Oversized Receiver**

- Pump Down Toggle Switch**
- QuickVac Valves**
- Receiver Inlet Ball Valve**
- Single Point Electrical SUCTION ACCUMULATOR**
- With Heat Exchanger
- Without Heat Exchanger
- SUCTION FILTER**
- Sealed Type
- TIME CLOCK**
- Paragon 8145 Style
- *230V Paragon 8145 Style
- 1** *115V Paragon 8145 Style
- Wind Guard**
- Less Flooding Valve(s)**

| | | | | | | | | | | |
|--------------|--------|--------------------|--------------|--------------|---------------|--------------|-----------|-------|------|------|
| VOLTAGE | | SYSTEM REFRIGERANT | | RATING | SUCTION TEMP | AMBIENT TEMP | CAPACITY | | | |
| 208-230/1/60 | | R448A | | 0.6Hp | 26.5 °F | 105 °F | 5610 BTUH | | | |
| FANS | | COMPRESSOR | | | CIRCUIT TOTAL | | | | | |
| QTY | POWER | FLA/FAN | TYPE | QTY | RLA | LRA | AMPS | WATTS | MCA† | MOP‡ |
| 1 | 100W | 1 | RST45C2E-CFV | 1 | 4.4 | 30 | 5.4 | | 6.5 | 15 |
| LIQUID | 3/8 in | SOUND | - | REC CAPACITY | 5 lb | | APPROVALS | | | |
| SUCTION | 5/8 in | WEIGHT | 149 lb | REF CHARGE | 3 lb | | | | | |

NOTES:

† MCA.. Minimum Circuit Ampacity, ‡ MOP.. Maximum Overcurrent Protection
MCA & MOP are for the condensing unit ONLY. Single point connections WILL show different on dataplate.



APPROVED BY :

DATE :

Approval of this drawing signifies that the equipment is acceptable under the provision of the job specifications. Any change made hereon by any person whomsoever subject to acceptance by NATIONAL REFRIGERATION at its home office.



**NATIONAL REFRIGERATION AND
AIR CONDITIONING CANADA CORP.**

159 ROY BLVD, PO BOX 2020
BRANTFORD, ON
CANADA N3T 5Y6

BEHA006M8-HS2D

**EH-LINE HERMETIC
CONDENSING UNITS-AIR**

PURCHASER :

SUBMITTED BY : **Laura Craig**

PROJECT : **South Middle School Lancaster SC**

DATE : **11 Oct 2022**

ORDER # : **06338.58290.00469-A00**

ITEM # : **6**

QUOTE # : **Q10EULCB-A**

ID # :

PURCHASER'S PO # :

TAGGING :

SELECTED OPTION DESCRIPTIONS

Liquid Line Filter + Sight Glass - Sealed

Sporlan C Series with ODF solder connections and Sporlan SA moisture indicator factory installed in liquid line.

Option Packages - Small B (Good@Warm/Moderate)

LLFD+SG

Time Clock - 115V Paragon 8145 Style

115V Defrost timer is time initiated, temperature or pressure terminated with a timed failsafe. Timer is shipped loose in a box for field installation.

Approval of this drawing signifies that the equipment is acceptable under the provision of the job specifications. Any change made hereon by any person whomsoever subject to acceptance by NATIONAL REFRIGERATION at its home office.



NATIONAL REFRIGERATION AND AIR CONDITIONING CANADA CORP.

159 ROY BLVD, PO BOX 2020
BRANTFORD, ON
CANADA N3T 5Y6

Order Item No: 6
BEHA006M8-HS2D
EH-LINE HERMETIC
CONDENSING UNITS-AIR

NATIONAL REFRIGERATION will furnish equipment in accordance with this drawing and specifications, and subject to its published warranty. Approval of this drawing signifies that the equipment is acceptable under the provision of the job specifications. Any change made hereon by any person whomsoever subject to acceptance by NATIONAL REFRIGERATION at its home office.

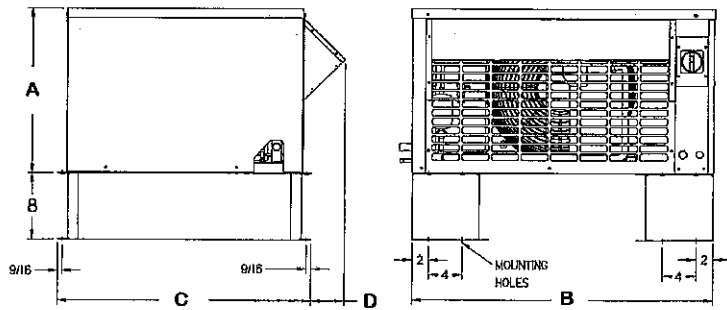
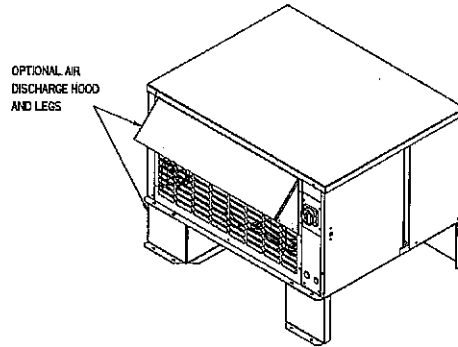
DATE : 11 Oct 2022
PURCHASER :
PROJECT : South Middle School Lancaster SC
SUBMITTED BY : Laura Craig

Dimensions shown are for standard unit less options.

| DIMENSIONS | |
|-------------|-----------|
| DIMENSION A | 19 3/8 in |
| DIMENSION B | 24 7/8 in |
| DIMENSION C | 30 3/8 in |
| DIMENSION D | 4 in |
| DIMENSION E | |
| DIMENSION F | |
| DIMENSION G | 0 in |
| DIMENSION H | |

| CONNECTIONS | |
|--------------------|--------|
| LIQUID | 3/8 in |
| SUCTION | 5/8 in |
| DRAIN | |
| WATER | |
| DISCHARGE | |
| PAN LOOP | |
| HOT GAS SIDE PORT | |
| HOT GAS INLET | |
| HOT GAS OUTLET | |
| OTHER | |
| SHIPPING WEIGHT | 149 lb |
| REFRIGERANT CHARGE | 3 lb |
| RECEIVER CAPACITY | 5 lb |

| APPROVALS | | | |
|-----------|--|--|--|
| | | | |
| | | | |



NOTES:

**NATIONAL REFRIGERATION AND AIR CONDITIONING CANADA CORP.**159 ROY BLVD, PO BOX 2020
BRANTFORD, ON
CANADA N3T 5Y6**BLP107MA-S1D****LOW PROFILE
EVAPORATOR**

PURCHASER :

SUBMITTED BY : **Laura Craig**PROJECT : **South Middle School Lancaster SC**DATE : **11 Oct 2022**ORDER # : **06338.58290.00469-A00**ITEM # : **8**QUOTE # : **Q10EULCB-A**

ID # :

PURCHASER'S PO # :

TAGGING :

MODEL FEATURES

- 3/8" Tubing coil construction (reduces refrigerant operating charge)
- Factory installed solenoid valve wire harness
- Heavy gauge textured aluminum cabinet construction resists scratches/corrosion
- Spacious piping end compartment allows for easy assembly

- Hinged drain pan with central universal drain connection (3/4" drain)
- Front access to spacious electrical and header compartments
- Schrader connection on suction header
- Attractive and durable high density polyethylene fan guards
- Ultra efficient Electronically Commutated Motor (ECM)

- ECM with SmartSpeed Technology
- High efficiency enhanced copper tube and aluminium fin coil design
- 6 FPI
- AWEF = 9.0
- Unit Cooler is AWEF/NRCAN compliant with R404A/R507/R448A/R449A/R407A/R407C

MODEL OPTIONS (* = Shipped Loose)**PRE-ASSEMBLED EVAP**

- SmartVap+ with EEV + Solvlv
- Sporlan TXV, LLSV,T-stat
- KE2 Evap Efficiency w/Sporlan EEV
- *KE2 Evap Efficiency w/Sporlan EEV
- Aux Sideport Connector**

CABINET FINISH

- Painted White
- Stainless Steel

SENSORS FOR CPC BOARDS

- Coil Temp Sensor
- Return Air Temp Sensor

DEMAND DEFROST ELECTRONIC CONTROLLER

- KE2 Therm Evaporator Efficiency
- *KE2 Therm Evaporator Efficiency
- Dual Circuit**

ELECTRONIC CONTROLLER

- KE2 Temp+Defrost
- SmartVap+ Control Board and Display

EXPANSION VALVE

- Sporlan TXV
- Sporlan EEV
- EEV for SmartVap+

Evaporator Disconnect Switch**EVAPORATOR PRISON PACKAGE**

- Tamper Proof Screws

Export Crating**COIL COATING**

- E-Coat

FIN MATERIAL

- Gold Coat Fins
- Copper Fins

Insulated Drain Pan**KE2 THERM**

- *CAT5e Shielded Cable - 50ft w/connectors
- 40' Leads on Sensors + Transducers
- Ethernet Adapter Kit
- *Remote Combo Display
- *Liquid / Suction Heat Exchanger

LIQUID LINE SOLENOID VALVE

- Sporlan
- Dual Voltage Coil 120-230V Field Wired**

Nitrogen Charged and Sealed ROOM THERMOSTATS

- Mechanical
- *Mechanical
- *Johnson A19ABC
- *Johnson A421ABC-02C
- Johnson A421ABC-02

Wire Fan Guards**REMOTE DEFROST PANEL**

- *230V Control
- *115V Control

INSTALLATION REQUIREMENTS

- Minimum slope of 1" per foot on all drain lines
- P-trap per evap required outside of box

| | | | | | |
|-----------------|--------------------|----------------|--------------|--------------|------------------|
| VOLTAGE | SYSTEM REFRIGERANT | AIR FLOW | EVAP. TEMP | BOX TEMP | CAPACITY |
| 115/1/60 | R448A | 680 CFM | 27 °F | 35 °F | 5610 BTUH |

| FANS | | | HEATERS | | | CIRCUIT TOTAL | | | |
|----------|---------------|----------|---------|-----|------|---------------|-----------|------------|-----------|
| QTY | POWER | FLA/FAN | TYPE | QTY | AMPS | AMPS | WATTS | MCA† | MOP‡ |
| 1 | 0.07HP | 1 | | | | 1 | 60 | 1.3 | 15 |

| | | | | | | |
|-------------|---------------|--------|--------------|--------------|-------------|-----------|
| DISTRIBUTOR | 3/8 in | SOUND | - | REC CAPACITY | | APPROVALS |
| SUCTION | 5/8 in | WEIGHT | 48 lb | REF CHARGE | 1 lb | |

NOTES:

† MCA.. Minimum Circuit Ampacity, ‡ MOP.. Maximum Overcurrent Protection



APPROVED BY :

DATE :

Approval of this drawing signifies that the equipment is acceptable under the provision of the job specifications. Any change made hereon by any person whomsoever subject to acceptance by NATIONAL REFRIGERATION at its home office.



**NATIONAL REFRIGERATION AND
AIR CONDITIONING CANADA CORP.**
159 ROY BLVD, PO BOX 2020
BRANTFORD, ON
CANADA N3T 5Y6

BLP107MA-S1D

**LOW PROFILE
EVAPORATOR**

PURCHASER :

SUBMITTED BY : **Laura Craig**

PROJECT : **South Middle School Lancaster SC**

DATE : **11 Oct 2022**

ORDER # : **06338.58290.00469-A00**

ITEM # : **8**

QUOTE # : **Q10EULCB-A**

ID # :

PURCHASER'S PO # :

TAGGING :

SELECTED OPTION DESCRIPTIONS

Expansion Valve - Sporlan TXV

May be Type EBQ, S, SBF, O externally equalized thermostatic expansion valve. Valves are selected using the specified capacity and operating conditions of the refrigeration system as specified on the accompanying Certified Prints.

Installation Requirements - Minimum slope of 1" per foot on all drain lines

Bally recommends a minimum slope of 1" per foot on all drain lines.

Installation Requirements - P-trap per evap required outside of box

All evaporators must be trapped individually outside of the box to prevent vapor migration back to coil surface.

Liquid Line Solenoid Valve - Sporlan

Sporlan solenoid coil voltage matches evaporator voltage except when evaporator is 460V, then 230V solenoid coil is used. Exceptions must be clearly explained in the Notes of the option.

Pre-assembled Evap - Sporlan TXV, LLSV, T-stat

Option Package consists of factory installed Sporlan balance port TXV, Sporlan liquid line solenoid valve and Johnson Controls A19 Room thermostat.

Room Thermostats - Mechanical

Single stage temperature control with Single-Pole, Double-Throw (SPDT) mechanical switch. May be Johnson A19 or equal, Operating range of -30°F to +100°F. Adjustable differential of 3°F to 12°F. Factory installed and wired.

Approval of this drawing signifies that the equipment is acceptable under the provision of the job specifications. Any change made hereon by any person whomsoever subject to acceptance by NATIONAL REFRIGERATION at its home office.



**NATIONAL REFRIGERATION AND
AIR CONDITIONING CANADA CORP.**

159 ROY BLVD, PO BOX 2020
BRANTFORD, ON
CANADA N3T 5Y6

Order Item No: **8**
BLP107MA-S1D
**LOW PROFILE
EVAPORATOR**

NATIONAL REFRIGERATION will furnish equipment in accordance with this drawing and specifications, and subject to its published warranty. Approval of this drawing signifies that the equipment is acceptable under the provision of the job specifications. Any change made hereon by any person whomsoever subject to acceptance by NATIONAL REFRIGERATION at its home office.

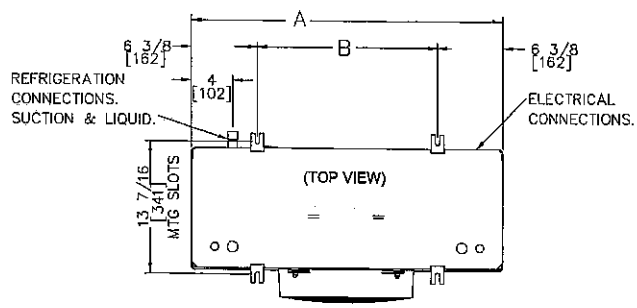
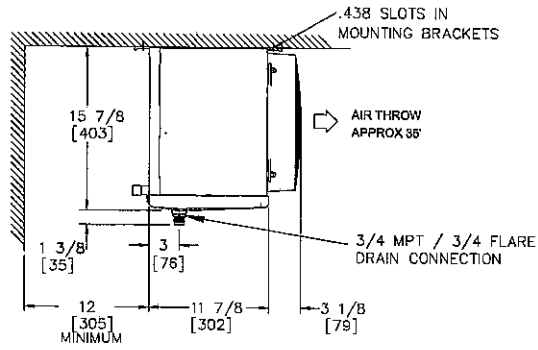
DATE : **11 Oct 2022**
PURCHASER :
PROJECT : **South Middle School Lancaster SC**
SUBMITTED BY : **Laura Craig**

Dimensions shown are for standard unit less options.

| DIMENSIONS | |
|-------------|-----------|
| DIMENSION A | 30 1/4 in |
| DIMENSION B | 17 1/4 in |
| DIMENSION C | |
| DIMENSION D | |
| DIMENSION E | |
| DIMENSION F | |
| DIMENSION G | 0 in |
| DIMENSION H | |

| CONNECTIONS | |
|--------------------|--------|
| DISTRIBUTOR | 3/8 in |
| SUCTION | 5/8 in |
| DRAIN | 3/4 in |
| WATER | |
| DISCHARGE | |
| PAN LOOP | |
| HOT GAS SIDE PORT | |
| HOT GAS INLET | |
| HOT GAS OUTLET | |
| OTHER | |
| SHIPPING WEIGHT | 48 lb |
| REFRIGERANT CHARGE | 1 lb |
| RECEIVER CAPACITY | |

| APPROVALS | | | |
|-----------|--|--|--|
| | | | |
| | | | |



NOTES:



SWANSON-GIRARD

CULINARY SOLUTIONS

Project
South Middle School

From
Swanson-Girard & Assoc.
Becky Jersey
10420 Southern Loop Blvd.
Pineville, NC 28134
(704)521-8811
(888)521-0778 0000 (Contact)
(704)521-8801 (Fax)
bjersey@swanson-girard.com

The following discounts have been applied to this quotation. No additional discounts can be taken off the net price shown.

To ensure all discounts are applied correctly when ordering please send ALL ORDERS to Swanson-Girard. Email: orders@swanson-girard.com or Fax: 704-521-8801

For Tracking information please either reach out to SGA office or Autoquotes Order Status.

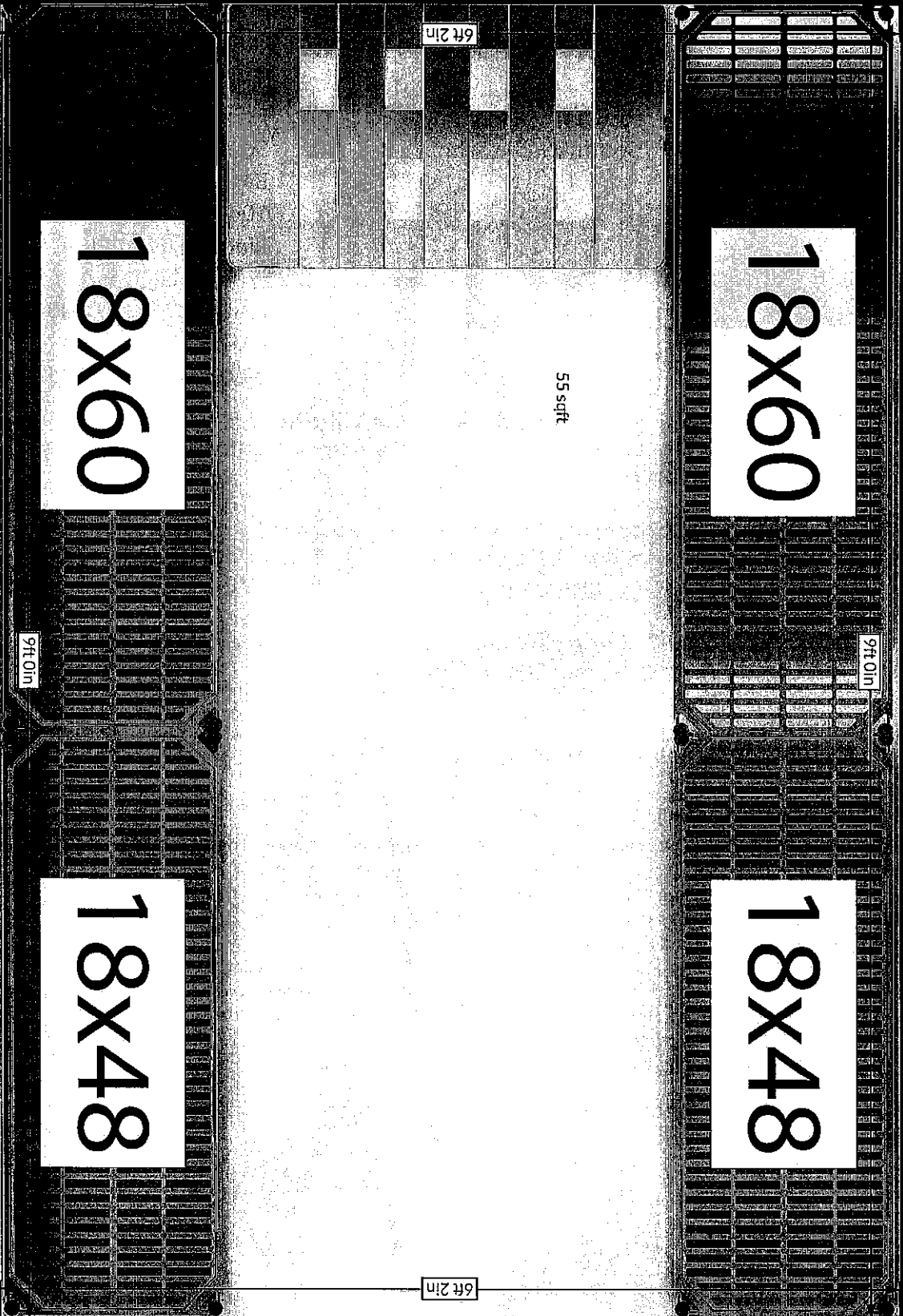
ITEM Single SHELVING, WITH METAL FRAME (8 REQ'D)

Cooler -

Metro Model PR1860NK3 Dimensions: 60(w) x 18(d)

Super Erecta Pro™ Shelf, 60"W x 18"D, removable polymer shelf mat, Metroseal 3™ epoxy-coated frame, built-in Microban product protection, split sleeves, attaches to Super Erecta® round posts, NSF

- 8 ea Model PR1848NK3 Super Erecta Pro™ Shelf, 48"W x 18"D, removable polymer shelf mat, Metroseal 3™ epoxy-coated frame, built-in Microban product protection, split sleeves, attaches to Super Erecta® round posts, NSF
- 16 ea Model 74PK3 Super Erecta® SiteSelect™ Post, 74-1/2"H, adjustable leveling bolt, posts are grooved at 1" increments & numbered at 2" increments, double grooved every 8", Metroseal 3 Green epoxy coated corrosion-resistant finish with Microban® antimicrobial protection
- 1 ea Model HP2236PD Metro Bow-Tie™ Dunnage Rack, 22" x 36" x 12"H, slotted, with separate polymer tie for joining racks, corrosion proof polymer construction, NSF



18X60

18X48

18X60

18X48

55 sqft

9ft 0in

9ft 0in

6ft 2in

6ft 2in