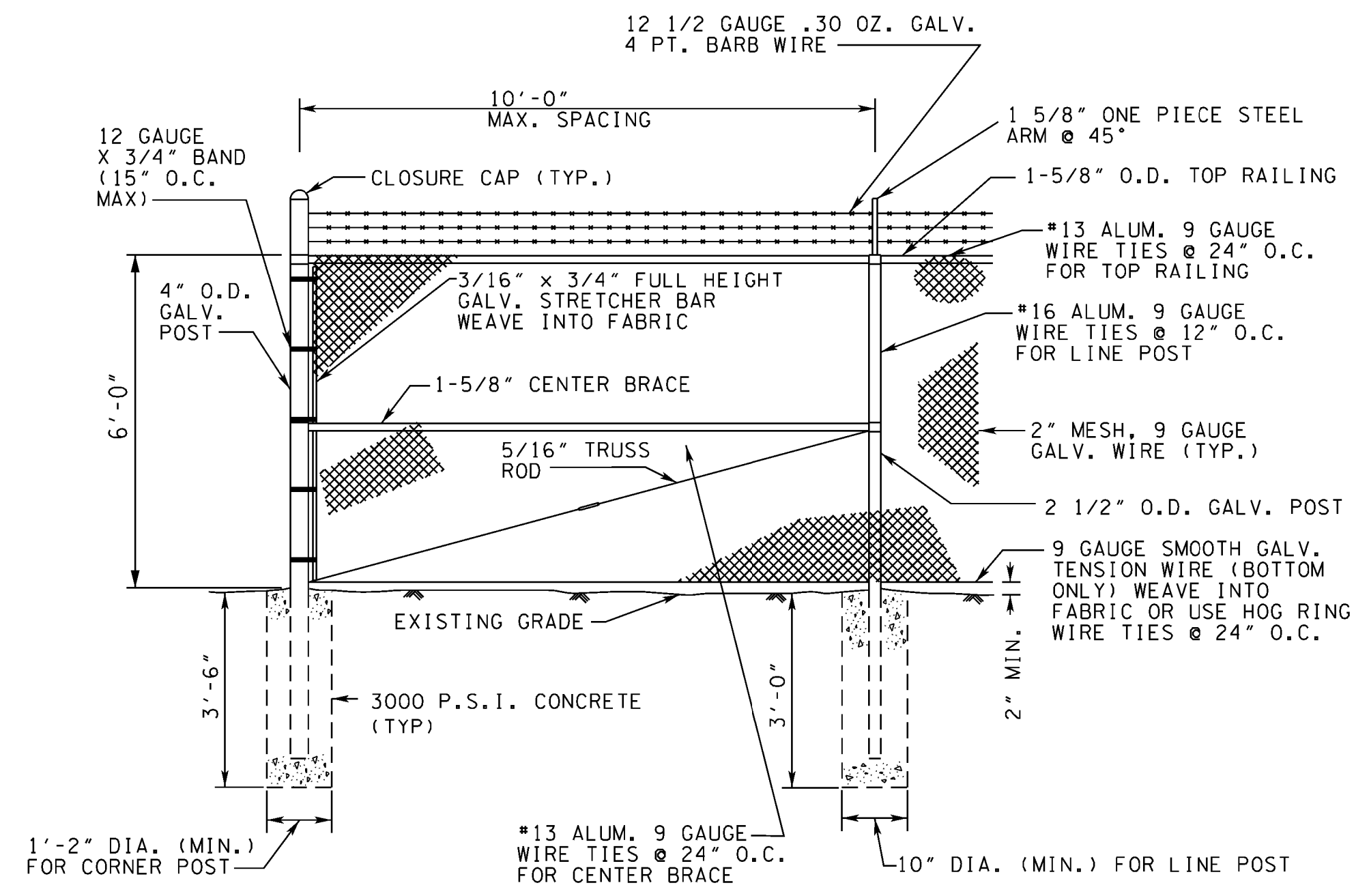
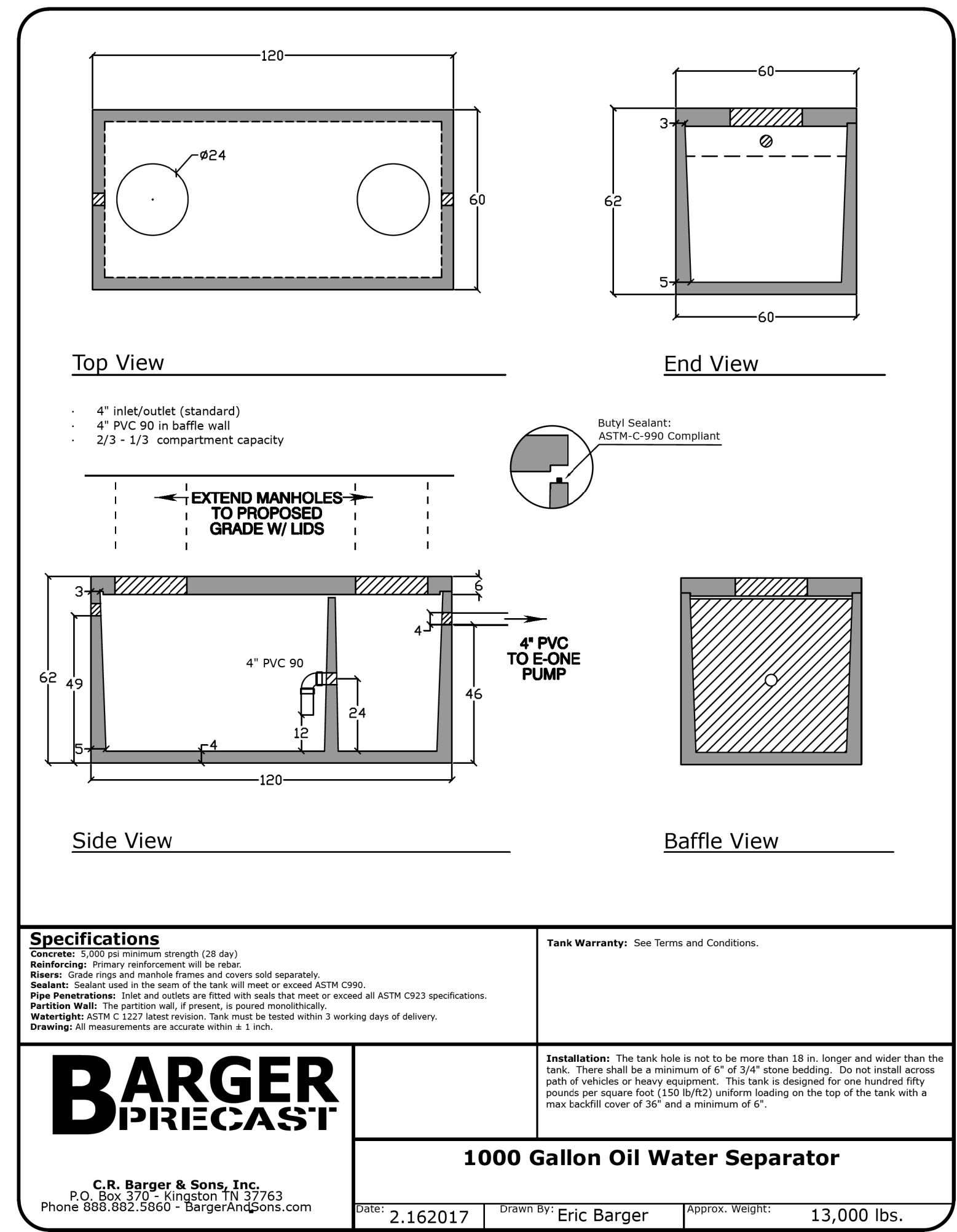
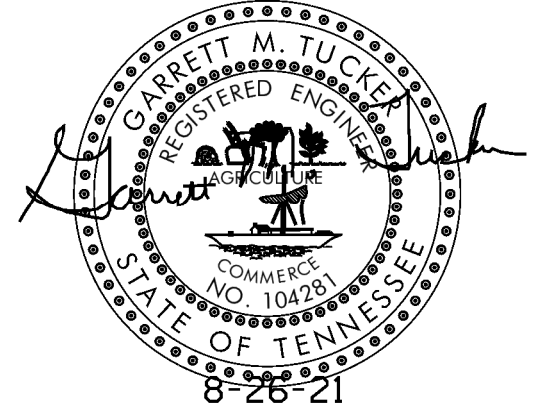


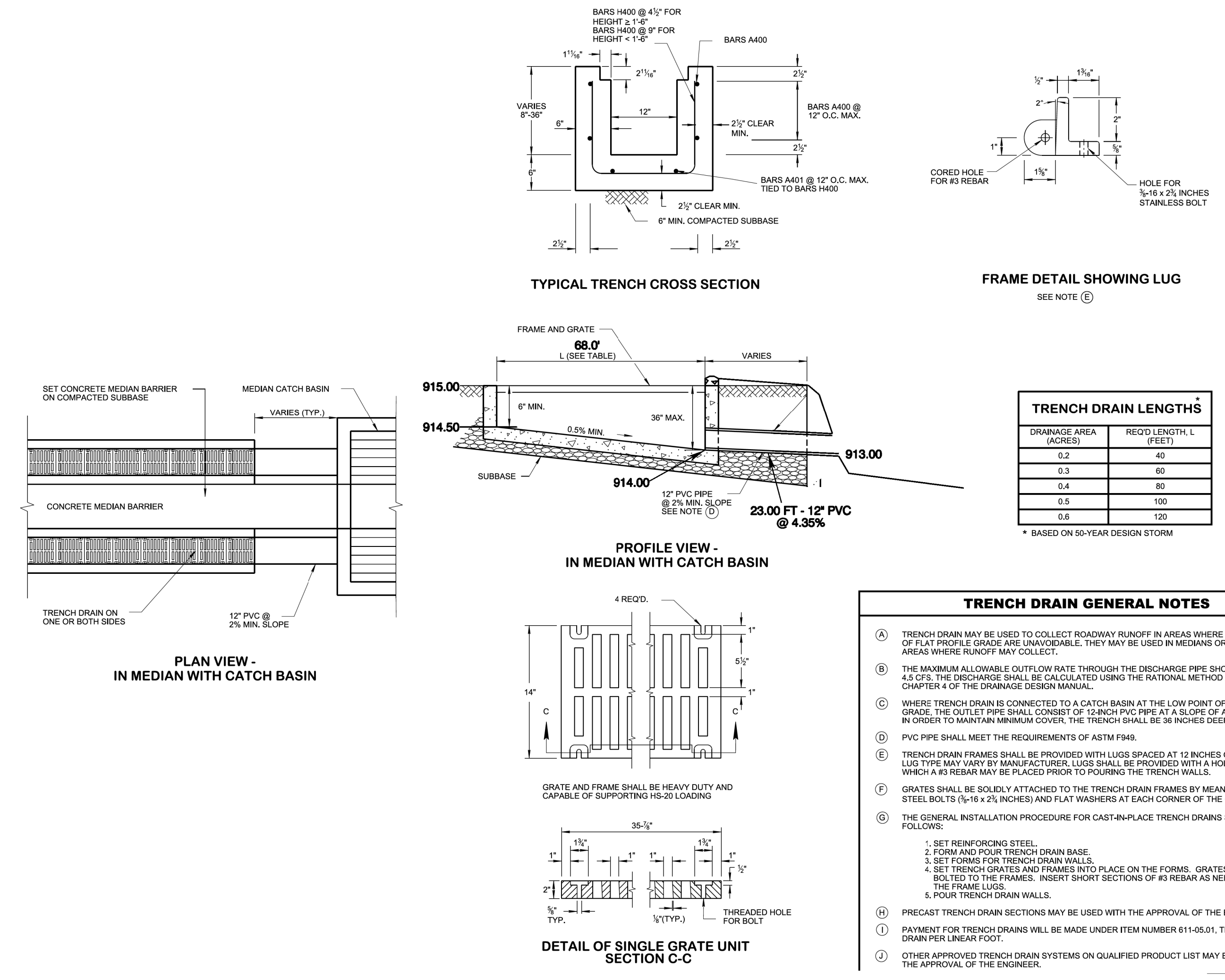
**DOUBLE SWING GATE**  
NO SCALE



**FENCE DETAIL**



**OIL/WATER SEPARATOR/ SEPTIC TANK DETAIL**



**TDOT TRENCH DRAIN DETAIL**

NO.	DATE	DESCRIPTION	BY	CKD.
REVISIONS				



**ROBERT G. CAMPBELL & ASSOC., L.P.**  
CONSULTING ENGINEERS  
KNOXVILLE, TENNESSEE

**ANDERSON COUNTY SOLID WASTE**  
**WOLF VALLEY ROAD CONVENIENCE CENTER**

**DETAILS**

DESIGNED BY GMT	CHECKED BY RGC	SCALE NO SCALE	SHEET NO. <b>11</b> OF 11 SHEETS
DRAWN BY GMT	DATE 8-26-21	FILE NO. 20702	