

PLANS FOR PROPOSED
N.W. 114th WAY DRAINAGE IMPROVEMENTS
 MEDLEY, FLORIDA
 OCPDS PROJECT No. SW-0130

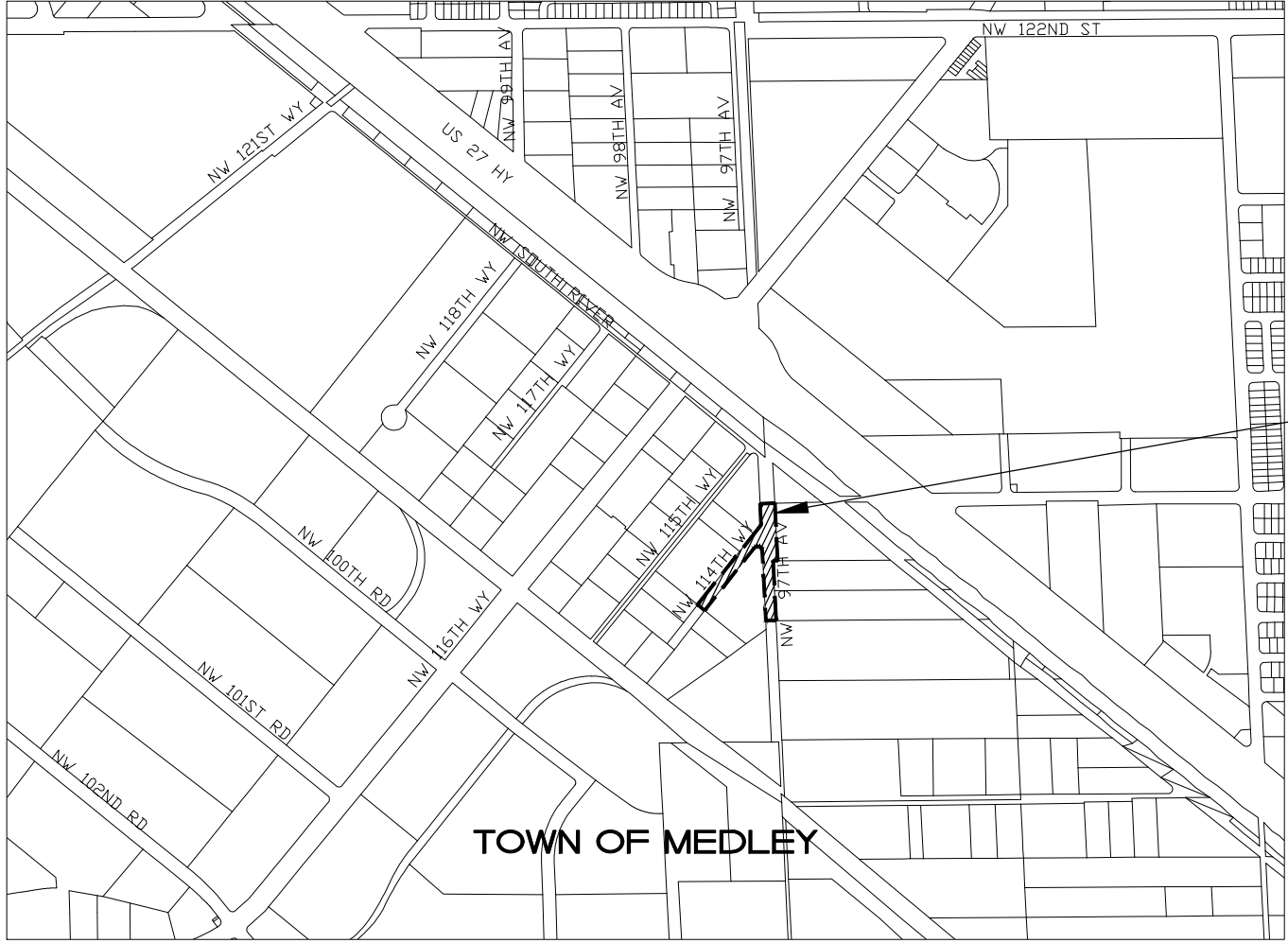


MAYOR
ROBERT MARTELL

VICE MAYOR
IVAN PACHECO

COUNCIL MEMBERS
EDGAR AYALA
GRISIELA DIGIACOMO
JACK MORROW

INDEX OF ROADWAY PLANS	
SHEET NUMBER	SHEET DESCRIPTION
C-0	COVER
C-1	GENERAL NOTES AND MISCELLANEOUS DETAILS
C-2	DRAINAGE PLAN
C-3	MISCELLANEOUS DETAILS
C-4	PAVEMENT MARKING AND SIGNAGE PLAN
S-1 TO S-5	SURVEY PLANS W/ UTILITY SOFT DIG INFO.



PROJECT LIMITS

ATTENTION IS DIRECTED TO THE FACT THAT THESE PLANS MAY HAVE BEEN REDUCED IN SIZE BY REPRODUCTION. THIS MUST BE CONSIDERED WHEN OBTAINING SCALED DATA.

THESE PLANS HAVE BEEN PREPARED IN ACCORDANCE WITH AND ARE GOVERNED BY THE MIAMI-DADE COUNTY PUBLIC WORKS DEPARTMENT STANDARDS AND SPECIFICATIONS PARTS 1, 2 AND, 3. THE MIAMI-DADE COUNTY PUBLIC WORKS DEPARTMENT - HIGHWAY DIVISION STANDARD DETAILS, THE FLORIDA DEPARTMENT OF TRANSPORTATION ROADWAY AND TRAFFIC DESIGN STANDARDS AND SPECIFICATION FOR ROAD AND BRIDGE CONSTRUCTION (LATEST EDITION), AS AMENDED BY CONTRACT DOCUMENTS

LOCATION MAP
 SCALE: 1" = 1000'

PREPARED FOR:
TOWN OF MEDLEY
 STORMWATER UTILITIES DEPARTMENT

BY:

5001 Southwest 74 Court, Suite 201
 Miami, Florida 33155-4453
 TEL. 305-662-8887, FAX 305-662-8858
 W.W.W. SRS-CORP.COM



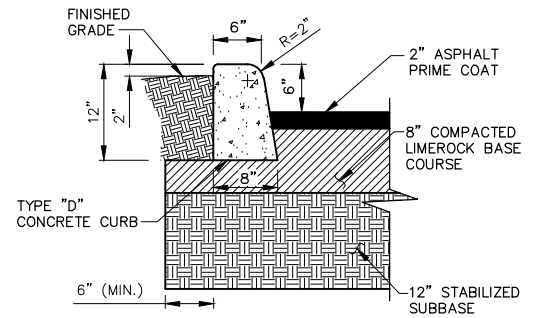
100% SUBMITTAL

PROJECT #:	1628
DATE: 10/10/2017	SHEET: C-0

GENERAL NOTES:

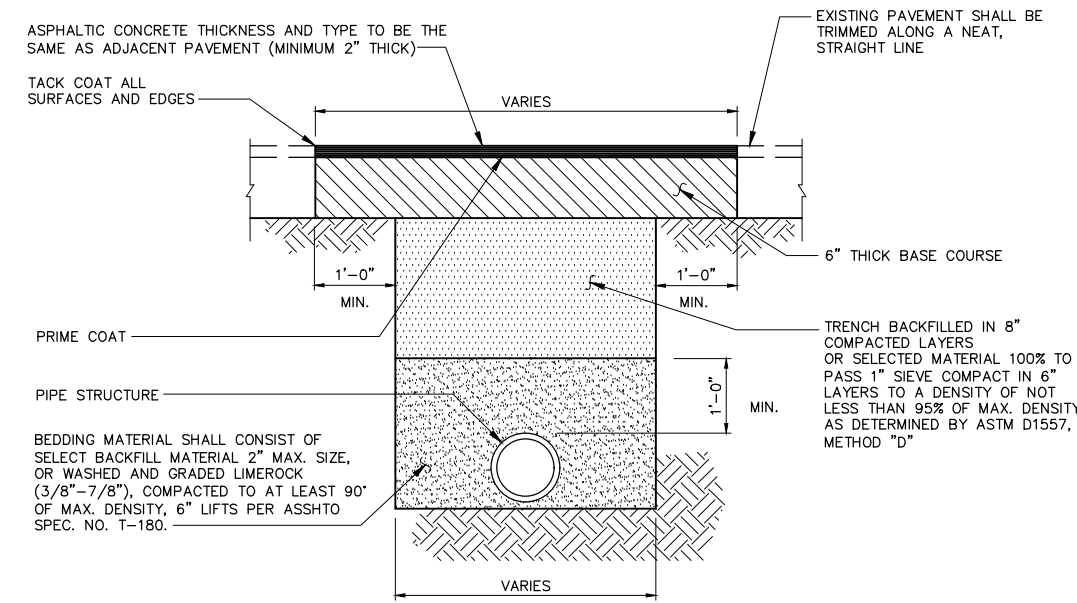
- ALL ELEVATIONS REFER TO THE NATIONAL GEODETIC VERTICAL DATUM OF 1929 (NGVD-'29).
- FLOOD CRITERIA ELEVATION IS 6.80 FEET BASED ON MIAMI DADE COUNTY FLOOD CRITERIA MAPS. OCTOBER WATER LEVEL 3.75
- IN ACCORDANCE WITH THE FEDERAL EMERGENCY MANAGEMENT AGENCY (FEMA) FLOOD INSURANCE RATE MAP (FIRM) COMMUNITY PANEL No. 120469, (TOWN OF MEDLEY) MAP No. 12086C0113, SUFFIX L, REVISED DATE: 09/11/2009; THIS PROJECT IS LOCATED IN FLOOD ZONE "X", BASE FLOOD ELEVATION = N/A.
- ALL PUBLIC LAND CORNERS AND MONUMENTS WITHIN THE LIMITS OF CONSTRUCTION ARE TO BE PROTECTED BY THE CONTRACTOR AS FOLLOWS: CORNERS AND MONUMENTS IN CONFLICT WITH THE WORK AND IN DANGER OF BEING DAMAGED, DESTROYED OR COVERED HAVE TO BE PROPERLY REFERENCED BY A PROFESSIONAL LAND SURVEYOR IN ACCORDANCE WITH THE MINIMUM TECHNICAL STANDARDS OF THE FLORIDA BOARD OF PROFESSIONAL LAND SURVEYORS PRIOR TO BEGINNING WORK AT THAT SITE. THE CONTRACTOR SHALL RETAIN THE LAND SURVEYOR OF REFERENCE, AND RESTORE UPON COMPLETION OF THE WORK, ALL SUCH CORNERS AND MONUMENTS AND SHALL FURNISH TO THE ENGINEER A SIGNED AND SEALED COPY OF THE LAND SURVEYOR'S REFERENCE DRAWING.
- ALL N.G.V.D. BENCH MARK MONUMENTS WITHIN THE LIMITS OF CONSTRUCTION SHALL BE PROTECTED AND REFERENCED BY THE CONTRACTOR IN THE SAME WAY AS PUBLIC LAND CORNERS EXCEPT THAT THE LAND SURVEYOR SHALL NOT BE REQUIRED TO RESTORE THE N.G.V.D. BENCH MARK UPON COMPLETION OF THE WORK. THE CONTRACTOR SHALL PROMPTLY TRANSMIT ALL DISPLACED OR DAMAGED N.G.V.D. DISCS TO THE ENGINEER, WHO WILL NOTIFY THE GEODETIC INFORMATION CENTER.
- ALL REFERENCE POINTS AND BENCH MARKS AS INDICATED ON THE ATTACHED PLANS SHALL BE PRESERVED BY THE CONTRACTOR. PRIOR TO FINAL ACCEPTANCE OF THE PROJECT, THE CONTRACTOR SHALL REESTABLISH AND MARK THOSE CONTROL POINTS IN A PERMANENT MANNER ON THE SURFACE OF THE COMPLETED WORK. ALL CONTROL POINTS REESTABLISHED AND MARKED SHALL BE CERTIFIED, SIGNED AND SEALED BY A PROFESSIONAL LAND SURVEYOR IN A F.D.O.T. FIELD BOOK AND RETURNED TO THE ENGINEER.
- ALL CONSTRUCTION ASSOCIATED WITH THIS PROJECT SHALL BE IN ACCORDANCE WITH APPLICABLE CODES & AUTHORITIES HAVING JURISDICTION, INCLUDING BUT NOT LIMITED TO THE FLORIDA ADMINISTRATIVE CODE 62-555 & 62-610, THE TOWN OF MEDLEY PUBLIC WORKS DEPARTMENT, MIAMI-DADE DEPARTMENT OF TRANSPORTATION AND PUBLIC WORKS DEPARTMENT STANDARDS, THE FLORIDA DEPARTMENT OF TRANSPORTATION (FDOT), MIAMI-DADE COUNTY'S REGULATORY AND ECONOMIC RESOURCES (RER). ANY DISCREPANCY MUST BE IMMEDIATELY BROUGHT TO THE ATTENTION OF THE TOWN OF MEDLEY AND ENGINEER OF RECORD (EOR).
- 48 HOURS PRIOR TO DIGGING CONTRACTOR SHALL COORDINATE WITH ALL UNDERGROUND UTILITY SERVICE COMPANIES TO VERIFY LOCATION OF ALL UNDERGROUND UTILITIES, ADDITIONALLY, CONTRACTOR SHALL CONTACT SUNSHINE STATE ONE CALL OF FLORIDA, INC. (811) TO ASSURE THAT ALL UTILITIES HAVE BEEN IDENTIFIED.
- THE LOCATION AND SIZE OF THE UTILITIES SHOWN IN THE PLANS ARE APPROXIMATE ONLY. THE EXACT LOCATION SHALL BE DETERMINED BY THE CONTRACTOR DURING CONSTRUCTION. ADDITIONAL UTILITIES MAY EXIST WHICH ARE NOT SHOWN ON PLANS. THE CONTRACTOR SHALL BE RESPONSIBLE FOR THE LOCATION OF ALL EXISTING UTILITIES. THE CONTRACTOR SHALL VERIFY ALL UTILITIES BY ELECTRONIC METHODS AND BY HAND EXCAVATION IN COORDINATION WITH ALL UTILITY COMPANIES, PRIOR TO BEGINNING ANY CONSTRUCTION OPERATION, ANY AND ALL CONFLICTS OF EXISTING UTILITIES WITH PROPOSED IMPROVEMENTS MUST BE RESOLVED BY THE ENGINEER AND THE TOWN OF MEDLEY. THIS WORK BY THE CONTRACTOR SHALL BE CONSIDERED INCIDENTAL TO THE CONTRACT AND NO ADDITIONAL COMPENSATION SHALL BE ALLOWED.
- UNDERGROUND UTILITY INFORMATION SHOWN HEREON WAS TAKEN FROM DATA PROVIDED BY THE TOWN OF MEDLEY.
- UTILITIES NEEDED TO BE ADJUSTED WILL BE ADJUSTED BY OTHERS. CONTRACTOR WILL BE RESPONSIBLE FOR SCHEDULING THESE ADJUSTMENTS WITH THE UTILITY COMPANY.
- THE CONTRACTOR SHALL REQUEST THE LOCATION OF ANY WATER, SEWER OR GAS LATERALS NOT SHOWN IN THE PLANS SERVICING PROPERTIES ADJACENT TO THE PROJECT BEFORE EXCAVATING, THE ADDITIONAL COST OF EXCAVATING AROUND THE LATERALS SERVICING SAID PROPERTIES SHALL BE INCLUDED IN HIS BID.
- ANY WATER AND SEWER LINES TO BE ADJUSTED SHALL BE APPROVED BY THE TOWN OF MEDLEY DEPARTMENT OF WATER AND SEWERS.
- CONTRACTOR SHALL HAVE A SET OF PLANS WITH CURRENT FIELD CHANGES MARKED THERE-ON AND SHALL DELIVER THESE PLANS TO THE ENGINEER UPON COMPLETION OF CONSTRUCTION.
- ALL EXCAVATION SHALL BE BACKFILLED. THEREFORE ORIGINAL GRADE SHALL BE RESTORED UPON COMPLETION OF COMPACTION, SODDING OR SEEDING AND MULCHING.
- BACKFILLING PAVEMENT CUTS AND EXCAVATION WITHIN 2 FEET OF PAVEMENT EDGE SHALL MEET THE FOLLOWING ADDITIONAL REQUIREMENTS:
 - COMPACTED TO A DENSITY NOT LESS THAN 98% (ASTM D-1557-70)
 - DENSITY TESTS SHALL BE CONDUCTED EVERY 12" OF UNCOMPACTED DEPTH OR AS DIRECTED BY THE ENGINEER.
- THE CONTRACTOR SHALL PROVIDE ALL WARNING LIGHTS, SIGNALS, SIGNS AND FLAGPERSONS AS REQUIRED BY THE TOWN OF MEDLEY AND MIAMI-DADE COUNTY TRAFFIC ENGINEERING DIVISION.
- ALL DISPOSAL OF EXCESS AND UNSUITABLE EXCAVATED MATERIAL, DEMOLITION, VEGETATION, RUBBISH AND DEBRIS SHALL BE MADE OUTSIDE THE LIMITS OF CONSTRUCTION AT A LEGAL DISPOSAL SITE PROVIDED BY THE CONTRACTOR AT HIS/HER OWN EXPENSE, WITH THE PRIOR APPROVAL OF THE ENGINEER. MATERIAL CLEARED FROM THE SITE SHALL NOT BE DEPOSITED ON ADJACENT AND/OR NEARBY PROPERTY.
- ALL EXCESS MATERIALS AS DESIGNATED BY THE ENGINEER ARE TO BE DISPOSED OF BY THE CONTRACTOR IN AREAS PROVIDED BY HIM AND AT THE CONTRACTOR'S EXPENSE.
- ALL DRAINAGE CONSTRUCTION SHALL BE IN STRICT ACCORDANCE WITH THE REQUIREMENTS OF MIAMI-DADE COUNTY DEPARTMENT OF REGULATORY AND ECONOMIC RESOURCES (RER).
- THE CONTRACTOR SHALL BE RESPONSIBLE FOR PROVIDING APPROPRIATE SAFETY PRECAUTIONS DURING EXCAVATION AND TRENCHING OPERATIONS AS REQUIRED BY THE "TRENCH SAFETY ACT".
- CONTRACTOR IS TO PREVENT INTRODUCTION OF DEBRIS OR DIRT INTO NEW OR EXISTING STORM DRAINAGE SYSTEM AS A RESULT OF CONSTRUCTION ACTIVITIES. ALL LINES AND STRUCTURES SHALL BE CLEANED PRIOR TO FINAL INSPECTION AND ACCEPTANCE.
- ALL GRASS AREAS AFFECTED BY CONSTRUCTION SHALL BE RESODDED AS DIRECTED BY CITY INSPECTOR

- CONTRACTOR SHALL SEQUENCE THE WORK SO AS TO MINIMIZE IMPACTS ON EXISTING OPERATIONS AND ACCESS TO BUSINESS, RESIDENTS AND FOR EMERGENCY OPERATIONS.
- ALL MUCK AND ORGANIC MATERIALS FOUND WITHIN THE CONSTRUCTION AREA SHALL BE REMOVED AND REPLACED WITH CLEAN FILL MATERIAL IN 6 INCH LIFTS COMPACTED TO NOT LESS THAN 95% MAXIMUM DENSITY AT OPTIMUM MOISTURE IN ACCORDANCE WITH AASHTO T-180.
- THE CONTRACTOR SHOULD TAKE SPECIAL NOTE OF THE SOIL CONDITIONS THROUGHOUT THIS PROJECT. ANY SPECIAL SHORING, SHEETING OR OTHER PROCEDURES NECESSARY TO PROTECT ADJACENT PROPERTY, EITHER PUBLIC OR PRIVATE, DURING EXCAVATION OF SUBSOIL MATERIAL AND EXFILTRATION TRENCH OR DURING THE FILING OF ANY AREA, OR FOR ANY OPERATION DURING CONSTRUCTION SHALL BE THE SOLE RESPONSIBILITY OF THE CONTRACTOR, THE ONLY EXCEPTION WILL BE THE PROTECTION OF UTILITIES. ALL UTILITIES SHALL BE MAINTAINED BY THE OWNER OF THE UTILITY.
- ANY EXISTING BUILDING, PAVEMENT OR OTHER EXISTING IMPROVEMENTS NOT SPECIFIED FOR REMOVAL WHICH IS DAMAGED, EXPOSED OR IN ANY WAY DISTURBED BY CONSTRUCTION PERFORMED UNDER THIS CONTRACT, SHALL BE REPAIRED, PATCHED OR REPLACED AT NO ADDITIONAL COST TO THE TOWN OF MEDLEY. THE CONTRACTOR SHALL BE RESPONSIBLE FOR PROVIDING APPROPRIATE SAFETY PRECAUTIONS DURING EXCAVATION AND TRENCHING OPERATIONS AS REQUIRED BY THE "TRENCH SAFETY ACT".
- ANY FENCING DAMAGED BY CONTRACTOR AT ANY TIME DURING CONSTRUCTION SHALL BE REPLACED OR REPAIRED TO ORIGINAL CONDITION.
- EXISTING CHAIN LINK FENCE WITHIN THE LIMITS OF CONSTRUCTION SHALL BE PROTECTED UNLESS OTHERWISE INDICATED.
- ANY DAMAGE TO PUBLIC OR PRIVATE PROPERTY SHALL BE RESTORED BY THE CONTRACTOR AT NO EXPENSE TO THE TOWN OF MEDLEY. TRAFFIC SIGNS DAMAGED SHALL BE RESTORED IMMEDIATELY BY THE CONTRACTOR.
- PAVEMENT REPAIRS SHALL BE "TYPE I" UNLESS OTHERWISE NOTED. CONCRETE CURB AND GUTTERS DAMAGED DURING CONSTRUCTION SHALL BE REPLACED PER MIAMI-DADE COUNTY PUBLIC WORKS MANUAL, PART 1 (STANDARD DETAIL: R14.1).
- CONTRACTOR SHALL ADHERE TO THE MUNICIPAL CODE OF TOWN OF MEDLEY WHICH PROHIBITS EXCAVATION & CONSTRUCTION BEFORE 7:00 AM & AFTER 6:00 PM, MONDAY TO FRIDAY & ALL DAY SATURDAY & SUNDAY, UNLESS OTHERWISE INSTRUCTED BY THE TOWN.
- PROPOSED ELEVATIONS SHOWN AT DRAINAGE STRUCTURES REFER TO EDGE OF PAVEMENT UNLESS OTHERWISE NOTED.
- ALL STATIONS AND OFFSETS ALONG N.W. 138TH STREET. REFER TO THE BASELINE OF SURVEY UNLESS OTHERWISE NOTED.
- WHERE NEW PAVEMENT MEETS EXISTING CONNECTION SHALL BE MADE IN A NEAT STRAIGHT LINE AND FLUSH WITH EXISTING PAVEMENT. SAW CUT AT EXISTING PAVEMENT JOINT MATCHING TO NEW PAVEMENT.
- CONTRACTOR SHALL COMPLY WITH ALL LOCAL AIR QUALITY AND POLLUTION CONTROL REGULATIONS THAT PERTAIN TO CONSTRUCTION ACTIVITIES. ALL COST FOR CONTROLLING DUST OR POLLUTION OF ANY KIND SHALL BE INCIDENTAL TO THE CONTRACT.
- CONTRACTOR SHALL SCHEDULE INSPECTIONS AND TESTING EVENTS A MINIMUM OF 72 HOURS IN ADVANCE.
- PROVIDE A SMOOTH TRANSITION WHERE NEW PAVEMENT, SIDEWALK, OR CURB MEETS EXISTING GRASS AREAS.
- CONTRACTOR SHALL WARRANT ALL WORK INCLUDING MATERIALS AND LABOR FOR A MINIMUM PERIOD IN ACCORDANCE WITH TOWN OF MEDLEY
- CERTIFICATE OF COMPLETION OF PROJECT IN ACCORDANCE WITH CONSTRUCTION DOCUMENTS WILL NOT BE ISSUED BY E.O.R. TO AGENCIES HAVING JURISDICTION UNLESS ALL REQUIREMENTS FOR CONSTRUCTION WORK ARE COMPLIED WITH AND CERTIFIED AS-BUILT DRAWINGS SUBMITTED AND ALL PERTINENT PERMITS ARE CLOSED.
- EQUIPMENT -ALL CONSTRUCTION EQUIPMENT NECESSARY AND REQUIRED FOR THE PROPER CONSTRUCTION OF THIS PROJECT SHALL BE IN FIRST-CLASS WORKING CONDITION. DOWN TIME DUE TO FAULTY OR INOPERABLE EQUIPMENT SHALL BE NO EXCUSE FOR NOT MAINTAINING PROJECT CONSTRUCTION SCHEDULE.
- ALL APPLICABLE PERMITS, PERMIT FEES AND CHARGES FROM AGENCIES HAVING JURISDICTION SHALL BE THE RESPONSIBILITY OF THE CONTRACTOR AND MUST BE OBTAINED/PAID PRIOR TO COMMENCEMENT OF CONSTRUCTION. THIS SHALL BE INCLUDED IN CONTRACTOR'S BID PRICE FOR THE PROJECT.
- CONTRACTOR SHALL BE AWARE THAT ELEMENTS AND SEGMENTS OF THE WORK ARE LOCATED IN CLOSE PROXIMITY TO BUSINESSES AND OFFICES THAT WILL REMAIN OPERATIONAL DURING THE CONSTRUCTION OF THE PROJECT.
- ALL WORK SHALL BE COORDINATED WITH SURROUNDING BUSINESS OWNERS. A MINIMUM OF TWO WEEKS NOTIFICATIONS MUST BE GIVEN PRIOR TO CONSTRUCTION ACTIVITY AND EVIDENCE OF SUCH COORDINATION SHALL BE MADE IMMEDIATELY AVAILABLE UPON REQUEST.
- NO WORK OR ACTIVITY SHALL BEGIN UNTIL ALL REQUIRED SAFETY ITEMS AND PERSONNEL ARE IN THEIR PROPER POSITIONS WITH APPROPRIATE SAFETY GEAR.

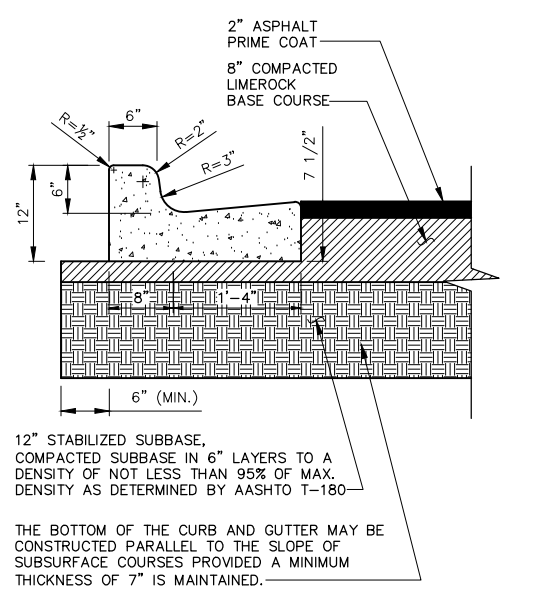


NOTE:
1. CONCRETE SHALL BE CLASS 1 AND SHALL ATTAIN A MINIMUM COMPRESSIVE STRENGTH OF 3,000 PSI IN 28 DAYS

CONCRETE CURB TYPE "D"
N.T.S.



PAVEMENT RESTORATION
N.T.S.



6 inch CURB AND GUTTER TYPE "F"
N.T.S.

REV.	DATE	BY:	DESCRIPTION

DESIGNED BY:	A.F.
DRAWN BY:	A.F.
CHECKED BY:	I.S.
DATE:	10/10/2017

SEAL:	
-------	--

SRS
ENGINEERING INC.
CONSULTING ENGINEERS

5001 Southwest 74th Court, Suite 201
Miami, Florida 33155-4453
TEL. 305-662-8887, FAX 305-662-8858
WWW.SRS-CORP.COM

EB-00007317



TOWN OF MEDLEY
DEPARTMENT OF ENGINEERING
NW 114TH WAY DRAINAGE IMPROVEMENTS

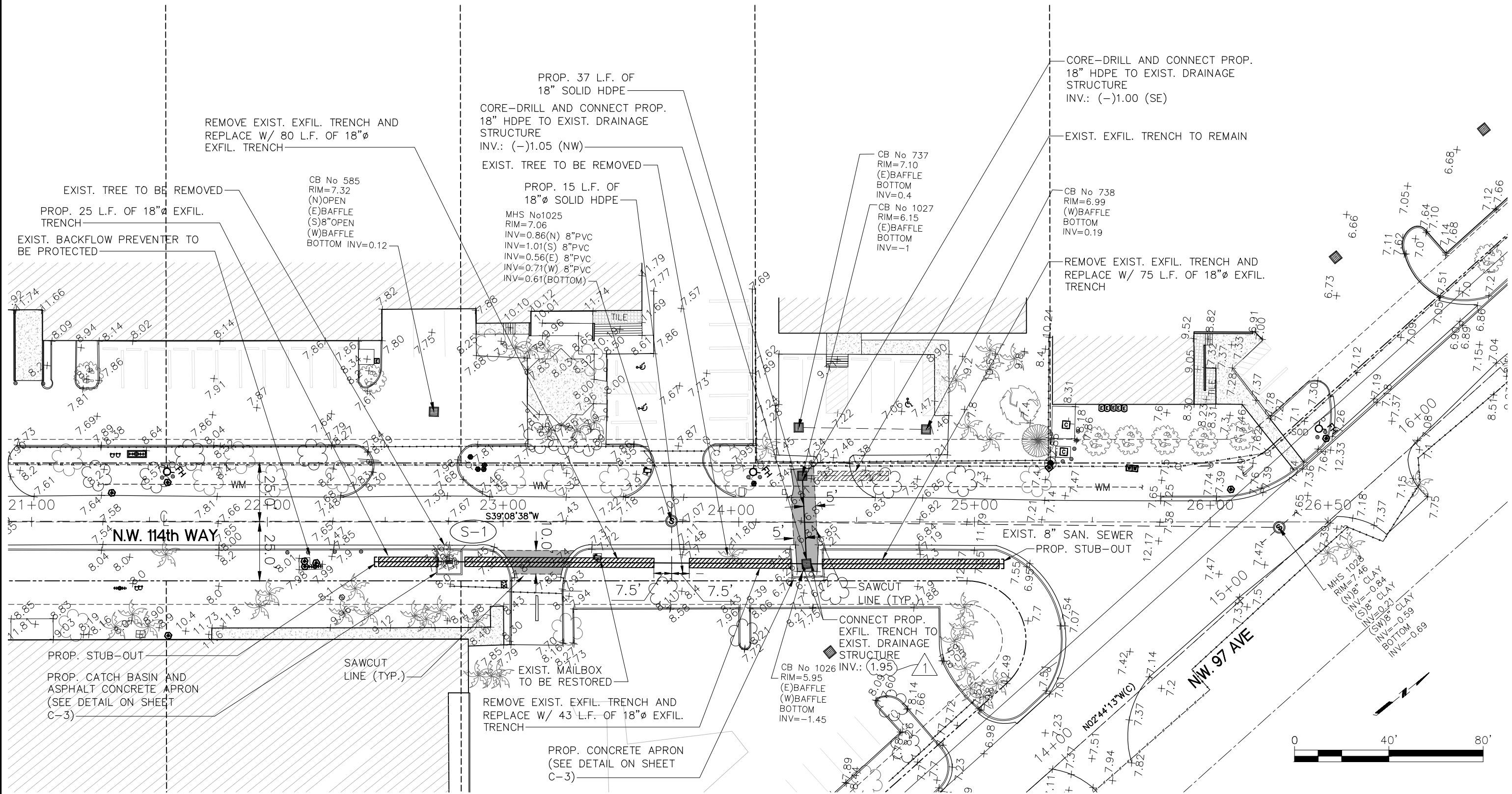
GENERAL NOTES AND MISCELLANEOUS DETAILS

SCALE:	AS SHOWN
PROJECT NO.:	1628
DWG. NO.:	1628-C-1
SHEET:	C-1

THE USE OF THESE PLANS AND SPECIFICATIONS SHALL BE RESTRICTED TO THE ORIGINAL SITE FOR WHICH THEY WERE PREPARED AND PUBLICATION THEREOF IS EXPRESSLY LIMITED TO SUCH USE. RE-USE, REPRODUCTION OR PUBLICATION BY ANY METHOD, IN WHOLE OR IN PART, IS PROHIBITED. VISUAL CONTACT WITH THESE PLANS AND SPECIFICATIONS REMAINS WITH SRS ENGINEERING, INC. WITHOUT PREJUDICE.

NOTES:

- CONTRACTOR SHALL NOTIFY THE ENGINEER/TOWN OF MEDLEY INSPECTOR WHEN CONFLICTS BETWEEN DRAWING AND ACTUAL CONDITIONS ARE DISCOVERED.



REV.	DATE	BY:	DESCRIPTION
1	03-09-18	NM	REVISED PER SOFT DIGS

DESIGNED BY:	N.M.
DRAWN BY:	N.M.
CHECKED BY:	M.T.
DATE:	10/10/2017

SEAL:	
-------	--

SRS
ENGINEERING INC.
CONSULTING ENGINEERS

5001 Southwest 74th Court, Suite 201
Miami, Florida 33155-4453
TEL. 305-662-8887, FAX 305-662-8858
WWW.SRS-CORP.COM

EB-00007317

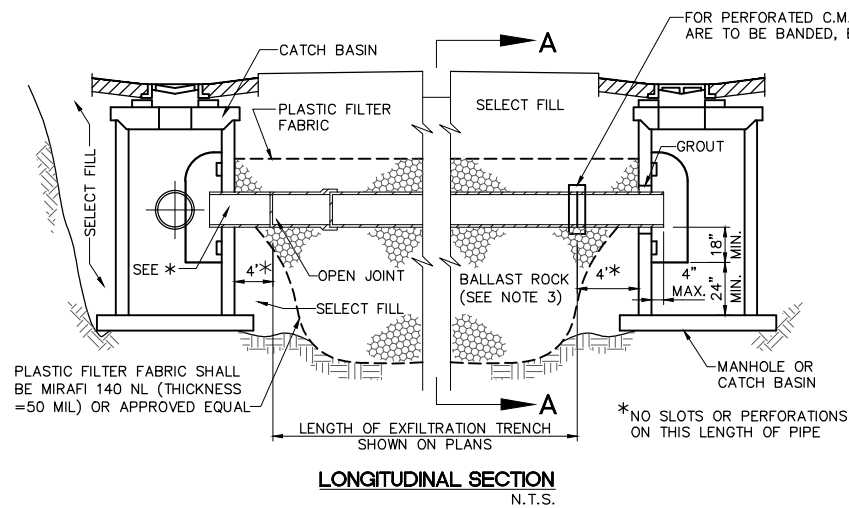


TOWN OF MEDLEY
DEPARTMENT OF ENGINEERING
NW 114TH WAY DRAINAGE IMPROVEMENTS

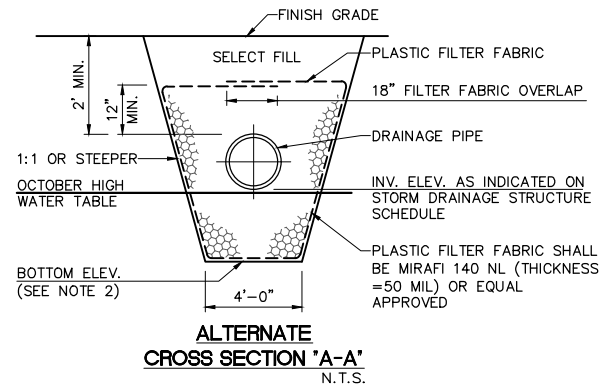
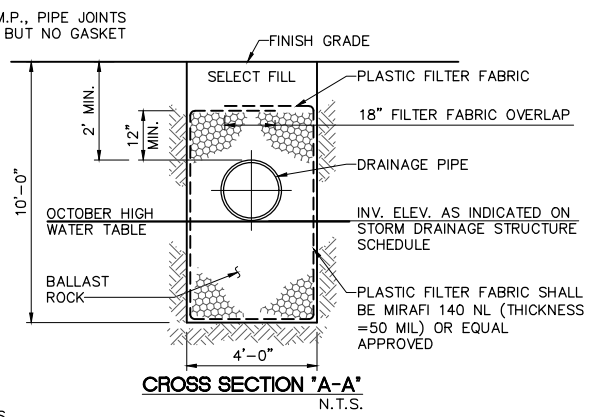
DRAINAGE PLAN

SCALE:	AS SHOWN
PROJECT NO.:	1602
DWG. NO.:	1602-C-2
SHEET:	C-2

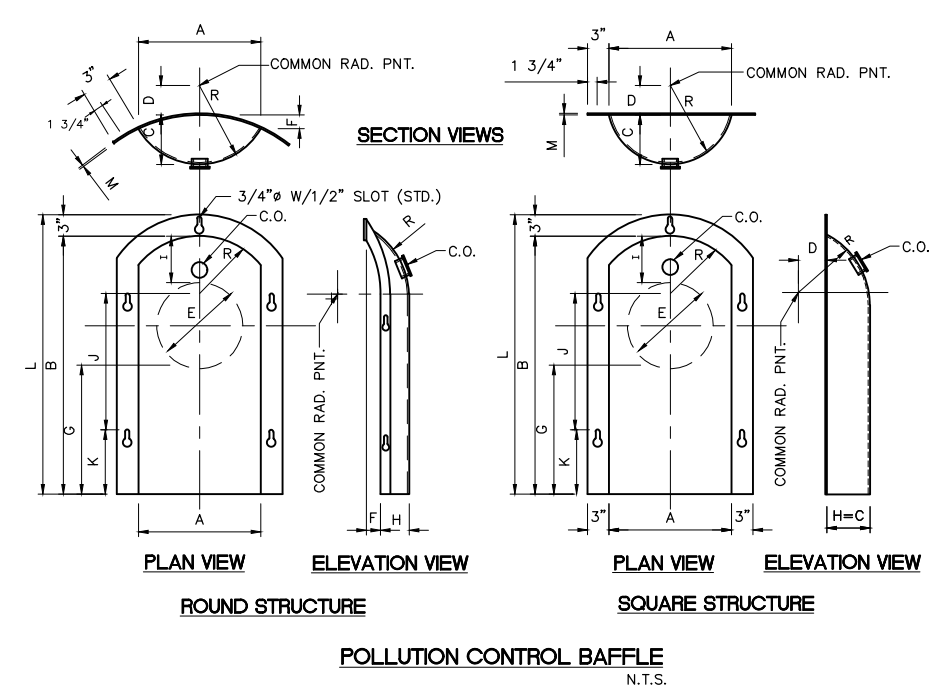
THE USE OF THESE PLANS AND SPECIFICATIONS SHALL BE RESTRICTED TO THE ORIGINAL SITE FOR WHICH THEY WERE PREPARED AND PUBLICATION THEREOF IS EXPRESSLY LIMITED TO SUCH USE. RE-USE, REPRODUCTION OR PUBLICATION BY ANY METHOD, IN WHOLE OR IN PART IS PROHIBITED. TITLE TO THE PLANS AND SPECIFICATIONS REMAINS WITH SRS ENGINEERING, INC. WITHOUT PREJUDICE. VISUAL CONTACT WITH THESE PLANS AND SPECIFICATIONS SHALL CONSTITUTE PRIMA FACIE EVIDENCE OF THE ACCEPTANCE OF THE RESTRICTIONS.



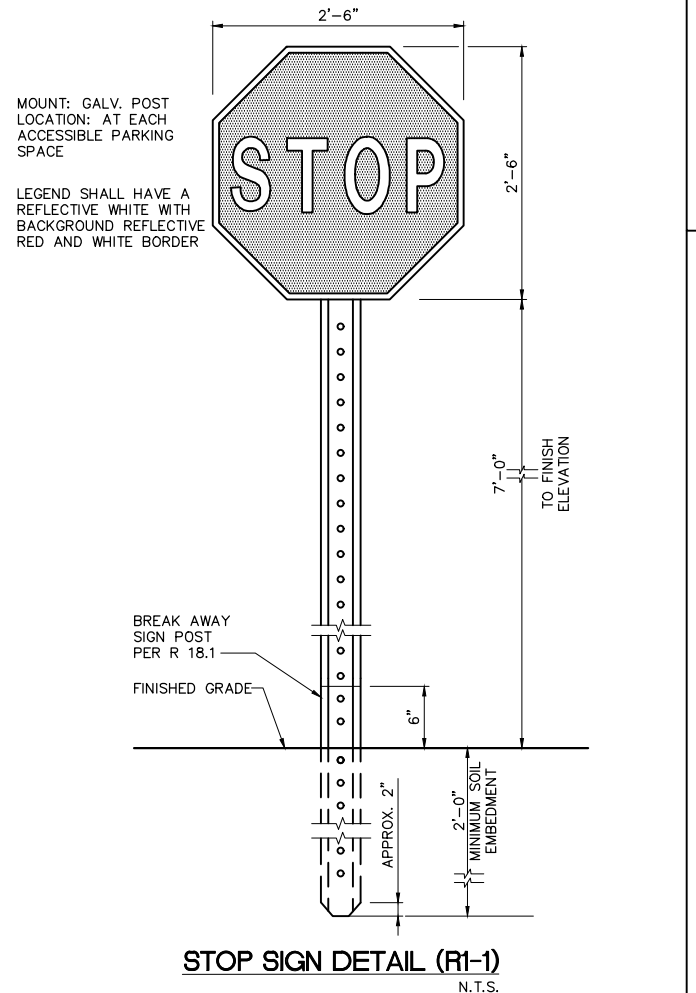
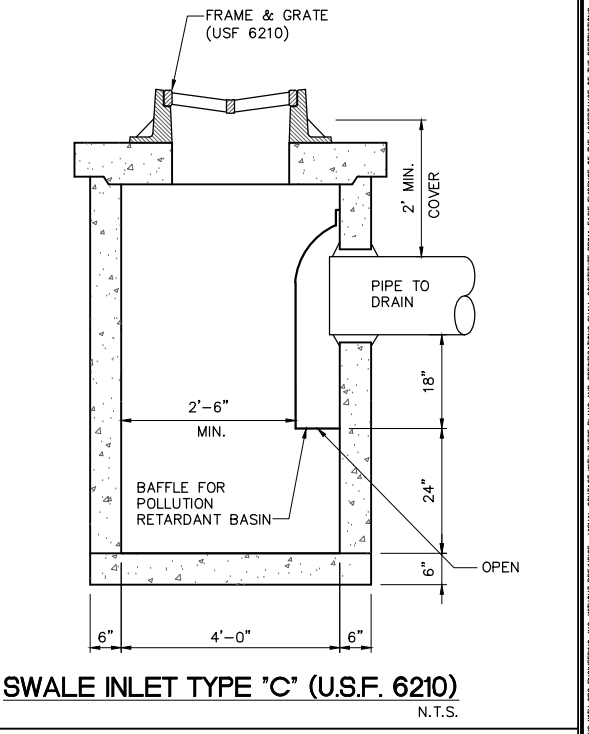
- NOTES:**
1. PLASTIC FILTER FABRIC (AT EACH SIDE TOP AND BOTTOM) SHALL BE USED IN SANDY AREAS AS NOTED ON PLANS AND/OR AS DIRECTED BY THE ENGINEER.
 2. THE BOTTOM OF THE EXFILTRATION TRENCH SHALL BE 10'-0" BELOW EXISTING GROUND ELEVATION, UNLESS FIELD CONDITIONS WARRANT OTHERWISE.
 3. AFTER THE BALLAST ROCK HAS BEEN PLACED TO THE PROPER ELEVATION, IT SHALL BE CAREFULLY WASHED DOWN WITH CLEAN WATER IN ORDER TO ALLOW FOR INITIAL SETTLEMENT THAT MAY OCCUR. IF IT DOES TAKE PLACE, ADDITIONAL BALLAST ROCK WILL BE ADDED TO RESTORE THE BALLAST ROCK TO THE PROPER ELEVATION, SO THAT THE EXFILTRATION TRENCH BE COMPLETED IN ACCORDANCE WITH THE DETAILS.



MAY BE USED IN AREAS WHERE TRENCH WALLS WILL NOT STAND VERTICAL, OR WHERE CAVE IN BELOW THE WATER TABLE IS LIKELY TO OCCUR TO BE USED AT THE ENGINEER'S DISCRETION



- NOTES:**
1. TO BE CONSTRUCTED OF FIBER-PLASTIC MATERIAL AND INSTALLED IN STORM DRAINAGE OR FLOW CONTROL STRUCTURES AT THE EFFLUENT END PIPE
 2. FORMULAS
 - A. $F+H=C$ (ON "R" BAFFLES ONLY)
 - B. $B+3=L$
 - C. $E+G+I=B$
 - D. $C=H$ (ON "S" BAFFLES ONLY)
 - E. $C+D=R$
 3. DIMENSIONS CO-RELATION ACCORDING TO SUMMARY ABOVE.

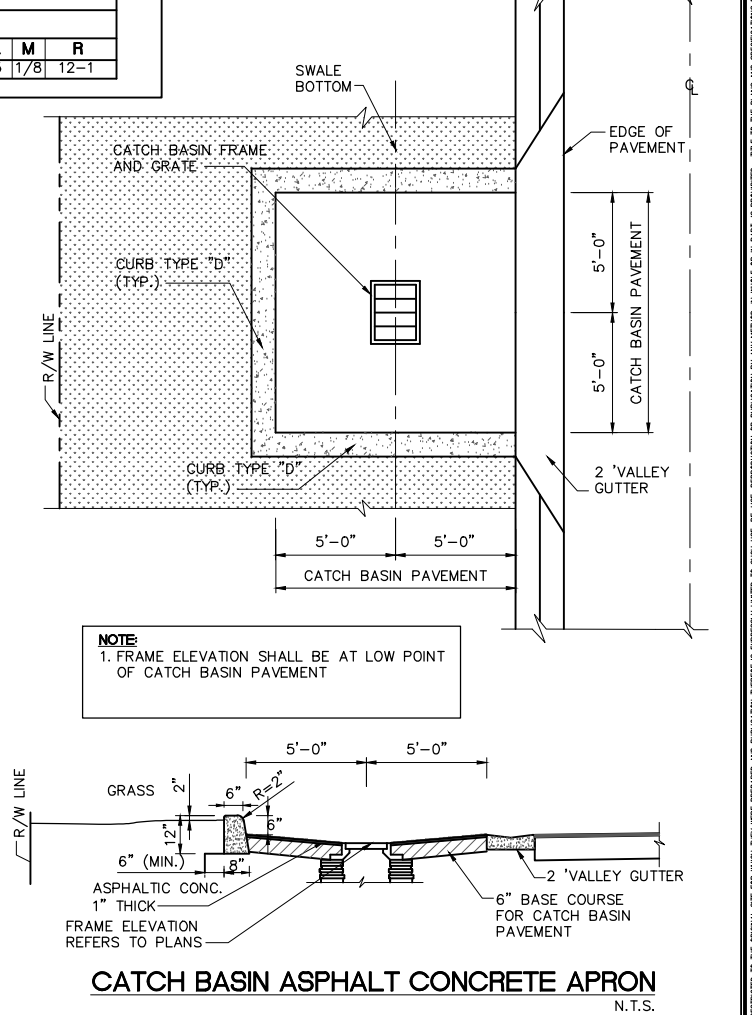


EXFILTRATION TRENCH DETAIL N.T.S.

STORM DRAINAGE STRUCTURE SCHEDULE									
STRUCT. NO.	STRUCTURE TYPE	FRAME AND GRATE	RIM	STRUC. T. BOTT.	PIPE INVERT ELEVATION				REMARKS
					N	S	E	W	
S-1	SD-2.6 (TYPE "J")	TYPE "C"/USF-6210	7.25	-1.55			1.95		P.C.B.* (NE, SW)

*INSTALL POLLUTION CONTROL BAFFLES (P.C.B.) ON PIPES CONNECTED TO EXFILTRATION TRENCHES.
 DESIGN GROUND WATER TABLE ELEVATION = 3.75 PER M.D.C.P.W. STANDARD DETAIL WC-2.2
 MIAMI-DADE COUNTY FLOOD CRITERIA = 6.80 N.G.V.D.

- NOTES:**
1. ALL STRUCTURES SHALL BE PER MIAMI-DADE COUNTY PUBLIC WORKS DEPARTMENT.
 2. FRAME AND GRATE SHALL BE PER PER MIAMI-DADE COUNTY PUBLIC WORKS DEPARTMENT AND U-S FOUNDRY #6210 AS INDICATED (OR EQUAL).



F:\ENGINEERING\SRS PROJECTS\2016\1628 - NW 114 WAY DRAINAGE IMPROVEMENTS\DESIGN\1628 C-3-MISCELLANEOUS DETAILS.DWG

REV.	DATE	BY:	DESCRIPTION
1	07/07/16	J.Z.	REVISION 1
1	03-09-18	NM	REVISED PER SOFT DIG

DESIGNED BY: A.F.
 DRAWN BY: A.F.
 CHECKED BY: I.S.
 DATE: 10/10/2017

SEAL:

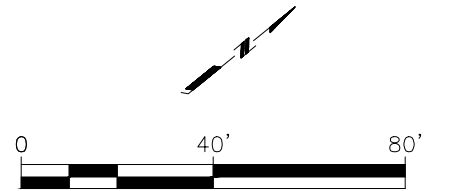
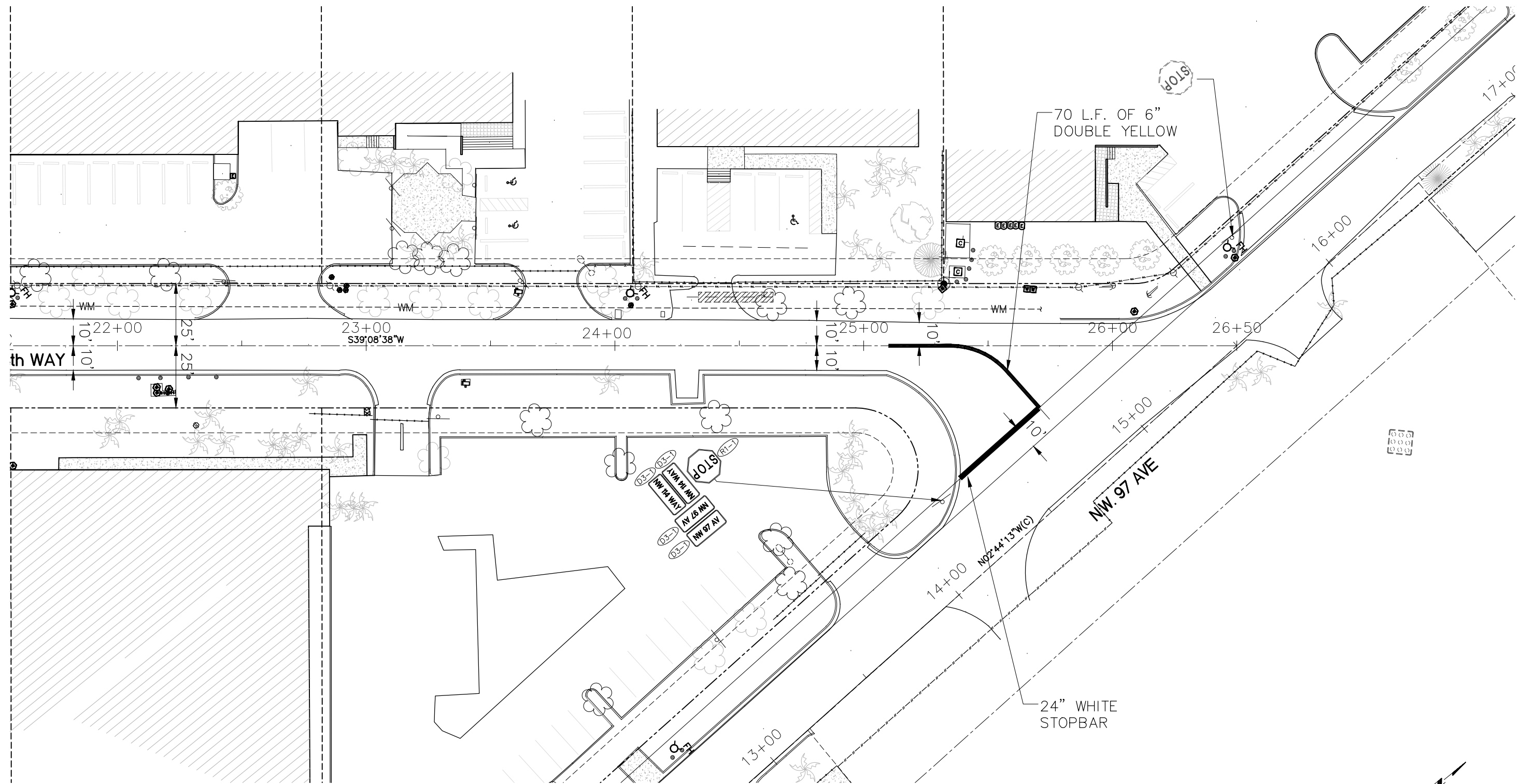


TOWN OF MEDLEY
 DEPARTMENT OF ENGINEERING
 NW 114TH WAY DRAINAGE IMPROVEMENTS

MISCELLANEOUS DETAILS

SCALE: AS SHOWN
 PROJECT NO.: 1628
 DWG. NO.: 1628-C-3
 SHEET: C-3

THE USE OF THESE PLANS AND SPECIFICATIONS SHALL BE RESTRICTED TO THE ORIGINAL SITE FOR WHICH THEY WERE PREPARED AND PUBLICATION THEREOF IS EXPRESSLY LIMITED TO SUCH USE. RE-USE, REPRODUCTION OR PUBLICATION BY ANY METHOD, IN WHOLE OR IN PART, IS PROHIBITED. TITLE TO THE PLANS AND SPECIFICATIONS REMAINS WITH SRS ENGINEERING, INC. WITHOUT PREJUDICE. VISUAL CONTACT WITH THESE PLANS AND SPECIFICATIONS SHALL CONSTITUTE FRAUD EVIDENCE OF THE ACCEPTANCE OF THE RESTRICTIONS.



REV.	DATE	BY:	DESCRIPTION

DESIGNED BY: N.M.
 DRAWN BY: N.M.
 CHECKED BY: M.T.
 DATE: 10/10/2017

SEAL:

SRS
 ENGINEERING INC.
 CONSULTING ENGINEERS
 5001 Southwest 74th Court, Suite 201
 Miami, Florida 33155-4453
 TEL. 305-662-8887, FAX 305-662-8858
 WWW.SRS-CORP.COM
 EB-00007317



TOWN OF MEDLEY
 DEPARTMENT OF ENGINEERING
 NW 114TH WAY DRAINAGE IMPROVEMENTS

PAVEMENT MARKING AND SIGNAGE
PLAN

SCALE:
 AS SHOWN
 PROJECT NO.:
 1628
 DWG. NO.:
 1628-C-4
 SHEET:
C-4

THE USE OF THESE PLANS AND SPECIFICATIONS SHALL BE RESTRICTED TO THE ORIGINAL SITE FOR WHICH THEY WERE PREPARED AND PUBLICATION THEREOF IS EXPRESSLY LIMITED TO SUCH USE. RE-USE, REPRODUCTION OR PUBLICATION BY ANY METHOD, IN WHOLE OR IN PART, IS PROHIBITED. VISUAL CONTACT WITH THESE PLANS AND SPECIFICATIONS SHALL CONSTITUTE FRAUD EVIDENCE OF THE ACCEPTANCE OF THE RESTRICTIONS.

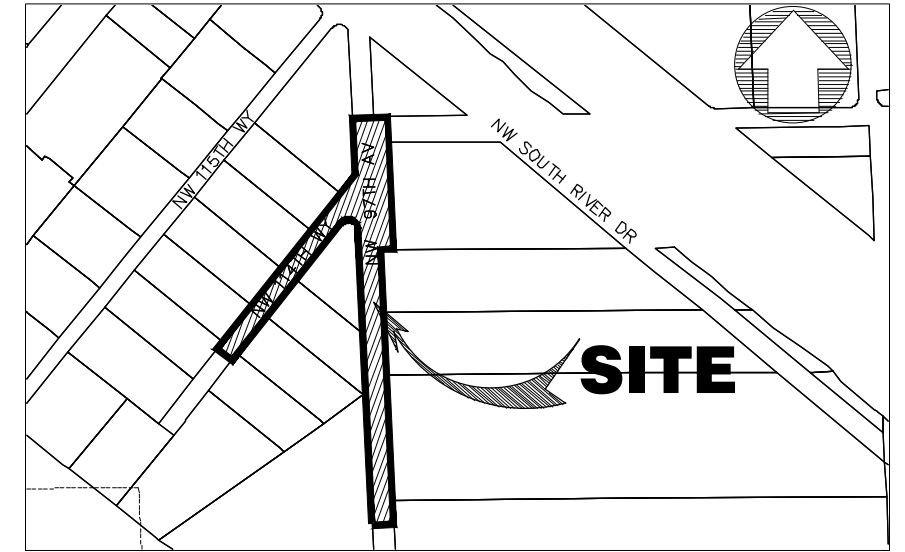
TREE No	COMMON NAME	DIAMETER (INCHES)	HEIGHT (FT)	CANOPY (FT)
1	TREE	10	25	20
2	TREE	24	40	25
3	TREE	15	66	30
4	PAUM	12	30	12
5	PAUM	12	30	12
6	PAUM	12	30	12
7	PAUM	12	40	15
8	TREE	18	35	30
9	TREE	20	40	35
10	TREE	15	35	20
11	OAK	10	25	25
12	TREE	15	25	20
13	TREE	24	40	25
14	TREE	10	25	20
15	TREE	20	25	30
16	TREE	15	25	20
17	TREE	15	25	20
18	OAK	12	40	20
19	PAUM	12	30	12
20	PAUM	12	30	12
21	PAUM	12	30	12
22	PAUM	12	30	12
23	PAUM	12	30	12
24	PAUM	12	30	12
25	P.C.	12	30	12
26	PAUM	12	30	12
27	PAUM	12	30	12
28	PAUM	15	55	20
29	PAUM	12	30	12
30	PAUM	12	30	12
31	PAUM	12	30	12
32	TREE	15	55	35
33	TREE	12	35	30
34	TREE	12	35	30
35	TREE	12	35	30
36	TREE	10	15	15
37	TREE	10	15	15
38	TREE	4	12	10
39	PAUM	10	45	15
40	PAUM	10	45	15
41	PAUM	10	45	15
42	TREE	6	12	12
43	PAUM	8	45	15
44	PAUM	8	45	15
45	PAUM	6	40	15
46	TREE	4	12	10
47	TREE	15	35	25
48	TREE	20	40	35
49	PAUM	12	35	25
50	TREE	18	60	40
51	PAUM	15	55	20
52	TREE	20	75	40
53	TREE	24	18	20
54	TREE	18	60	30
55	TREE	45	75	60
56	AREKA	4	15	7
57	AREKA	4	15	7
58	TREE	30	75	55
59	ROBLE	15	35	20
60	ROBLE	12	30	20
61	ROBLE	12	30	20
62	TREE	20	66	50
63	TREE	25	35	15
64	ROBLE	12	35	20
65	PAUM	20	45	25
66	TREE	40	75	50
67	TREE	40	75	50
68	TREE	32	75	50
69	TREE	20	75	50
70	PAUM	15	30	15
71	PAUM	12	30	15
72	PAUM	15	30	15
73	PAUM	15	30	15
74	PAUM	15	30	15
75	PAUM	15	30	15
76	PAUM	15	30	15
77	TREE	15	18	15
78	TREE	15	18	15
79	COCONUT	12	40	20
80	COCONUT	12	40	20
81	AVOCADO	4	20	15
82	MANGO	6	20	15
83	PAUM	12	11	5
84	PAUM	15	40	15
85	COCONUT	15	20	15
86	PAUM	18	60	20
87	OAK	8	30	15
88	OAK	15	40	25
89	OAK	8	30	15
90	OAK	12	45	40
91	OAK	10	25	30
92	PAUM	15	50	20
93	PAUM	12	18	15
94	PAUM	12	18	15
95	PINE	26	80	40
96	PAUM	6	15	10
97	PAUM	10	18	15
98	OAK	20	45	40
99	OAK	15	45	25
100	OAK	12	25	25
101	OAK	12	20	25
102	PAUM	10	20	15
103	PAUM	10	20	15
104	PAUM	15	20	15
105	PAUM	18	40	12
106	PAUM	18	25	12
107	PAUM	10	20	15
108	PAUM	20	40	20
109	PAUM	18	25	15
110	PAUM	8	20	15
111	PAUM	15	30	12
112	PAUM	10	30	15

BLDG. = BUILDING
 C.B.S. = CONCRETE BLOCK STRUCTURE
 CL = CENTER LINE
 CONC. = CONCRETE
 P.C. = POINT OF CURVATURE
 F.N.D. = FOUND NAIL/DISK
 P.C.C. = POINT OF COMPOUND CURVE
 BL = BASELINE
 N.G.V.D. = NATIONAL GEODETIC VERTICAL DATUM
 INV. EL = INVERT ELEVATION
 P.B. = PLAT BOOK
 P.C.P. = PERMANENT CONTROL POINT
 B/C = BLOCK CORNER
 RES. = RESIDENCE
 R/W = RIGHT OF WAY
 SEC. = SECTION
 S.I.P. = SET IRON PIPE
 SWK = SIDEWALK

LEGEND:
 P.G. = PAGE
 P = PROPERTY LINE
 N.T.S. = NOT TO SCALE
 ELEVATION
 BL = BLOCK
 M = MONUMENT LINE
 LP = LIGHT POLE
 * = CONCRETE POWER POLE
 F.F.E. = FINISH FLOOR ELEVATION
 S.I.R. = SET IRON REBAR
 F.N. = FOUND NAIL
 F.I.R. = FOUND IRON REBAR
 (M) = MEASURED VALUE
 (R) = RECORD VALUE

————— = RIGHT OF WAY LINE
 ———— = PROPERTY LINE
 - - - - - = EASEMENT LINE
 ———— = IRON FENCE
 // — // = WOOD FENCE
 X — X = CHAIN LINK FENCE
 OUL = OVERHEAD UTILITY LINE
 [BRICK] = BRICK
 [CONCRETE] = CONCRETE
 [GRAVEL] = GRAVEL
 [TILE] = TILE
 [PAVEMENT] = PAVEMENT
 [CBS WALL] = CBS WALL

SECTION 32 - TOWNSHIP 52 SOUTH - RANGE 40 EAST



LOCATION MAP
 NOT TO SCALE

SURVEYOR'S NOTES:

SECTION 1) DATE OF FIELD SURVEY:

1. The date of completion of the field work of the Topographic Survey was on March 8, 2017.
 2. The date of completion of the field work of the Update Survey was on January 25, 2018.

SECTION 2) LEGAL DESCRIPTION:

A portion of the intersection of NW 97th Avenue and NW 114th Way.

SECTION 3) ACCURACY:

The accuracy obtained by field measurement methods and office calculations of closed geometric figures meets and exceeds the Standards of Practice requirement for this Type of Survey as defined in Rule 5J-17.051, Florida Administrative Code.

Elevations of well identified features as depicted on the Survey Map were measured to an estimated vertical position accuracy of 1/100 of a foot on hard surfaces and 1/10 of a foot on ground surfaces.

Well identified features as depicted on the Survey Map were measured to an estimated horizontal position accuracy of 1/10 of a foot.

This Map of Survey is intended to be displayed at a scale of (1"=40') or smaller.

SECTION 4) SOURCES OF DATA:

Bearings as shown hereon are based upon the Center Line of NW 97 Ave with an assumed bearing of N02°44'13"W, said line to be considered a well established and monumented line.

This property is to be located in Flood Zone "X", as per Federal Emergency Management Agency (FEMA) Community Number 120649 (Town of Medley), Map Panel No. 12086C0113, Suffix L, Map Revised Date: September 11, 2009.

Legal Description was furnished by client.

Elevations as shown hereon are based on the National Geodetic Vertical Datum of 1929, as per Miami-Dade County's Benchmark Number N-531, Elevation 9.21 feet.

SECTION 5) LIMITATIONS:

Since no other information were furnished other than what is cited in the Sources of Data, the Client is hereby advised that there may be legal restrictions on the Subject Property that are not shown on the Survey Map that may be found in the Public Records of Miami-Dade County.

The Surveyor makes no representation as to ownership or possession of the Subject Property by any entity or individual who may appear of public records of this County.

No excavation or determination was made as to how the Subject Property is served by utilities.

No improvements were located, other than those shown. No underground foundations, improvements and/or utilities were located or shown hereon.

SECTION 6) CLIENT INFORMATION:

This Topographic Survey was prepared at the request of and certified to:

SRS ENGINEERING INC

SECTION 7) SURVEYOR'S CERTIFICATE:

I hereby certify: That this "Topographic Survey" and the Survey Map resulting therefrom was performed under my direction and is true and correct to the best of my knowledge and belief and further, that said "Topographic Survey" meets the intent of the applicable provisions of the "Standards of Practice for Land Surveying in the State of Florida", pursuant to Rule 5J-17.051 through 5J-17.052 of the Florida Administrative Code and its implementing law, Chapter 472.027 of the Florida Statutes.

HADONNE CORP., a Florida Corporation
 Florida Certificate of Authorization Number LB7097

By: _____
 Raul Izquierdo, PSM
 For the Firm
 Registered Surveyor and Mapper LS6099
 State of Florida

NOTICE: Not valid without the signature and original raised seal of a Florida Licensed Surveyor and Mapper. Additions or deletions to Survey Maps by other than the signing party are prohibited without the written consent of the signing party.

REVISIONS

1. UPDATE SURVEY 01-25-2018	6.
2.	7.
3.	8.
4.	9.
5.	10.



HADONNE

1985 NW 88th Court, Suite 201 • Doral, FL 33172 • P: +1(305)266-1188 • F: +1(305)207-6845 • W: www.hadonne.com

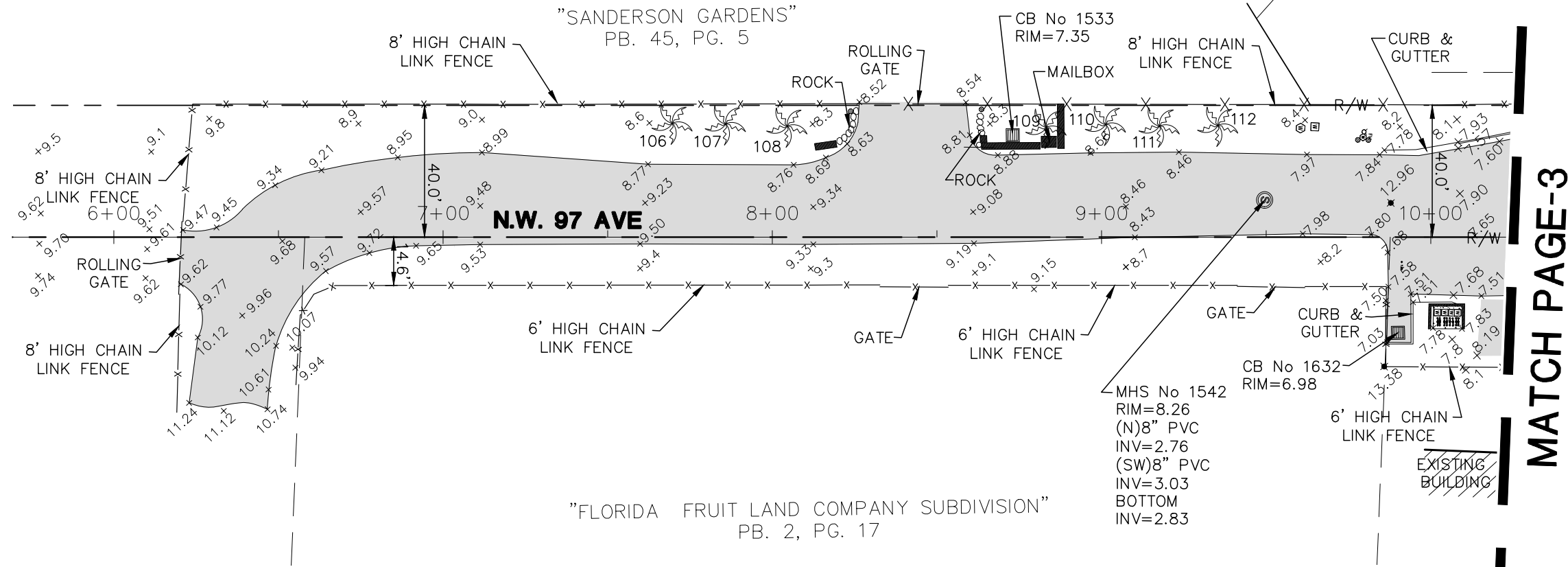
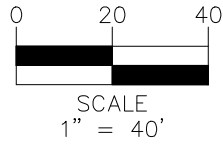
LAND SURVEYOR AND MAPPERS
 3D LASER SCANNING
 UTILITY COORDINATION
 SUBSURFACE UTILITY ENGINEERING

MAP OF TOPOGRAPHIC SURVEY

for
SRS ENGINEERING INC
 of

9720 NW 114 WAY, MEDLEY, FL., 33178

Job No.: 17019
 Field Book: 372/64-78
 DRAWN BY: BG
 TECH BY: RI
 QA/QC BY: AH
 1/5



MATCH PAGE-3

REVISIONS

1. UPDATE SURVEY 01-25-2018	6.
2.	7.
3.	8.
4.	9.
5.	10.



HADONNE

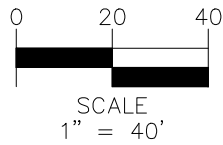
1985 NW 88th Court, Suite 201 • Doral, FL 33172 • P: +1(305)266-1188 • F: +1(305)207-6845 • W: www.hadonne.com

LAND SURVEYOR AND MAPPERS
3D LASER SCANNING
UTILITY COORDINATION
SUBSURFACE UTILITY ENGINEERING

MAP OF TOPOGRAPHIX SURVEY

for
SRS ENGINEERING INC
of
9720 SW 114 WAY, MEDLEY, FL., 33178

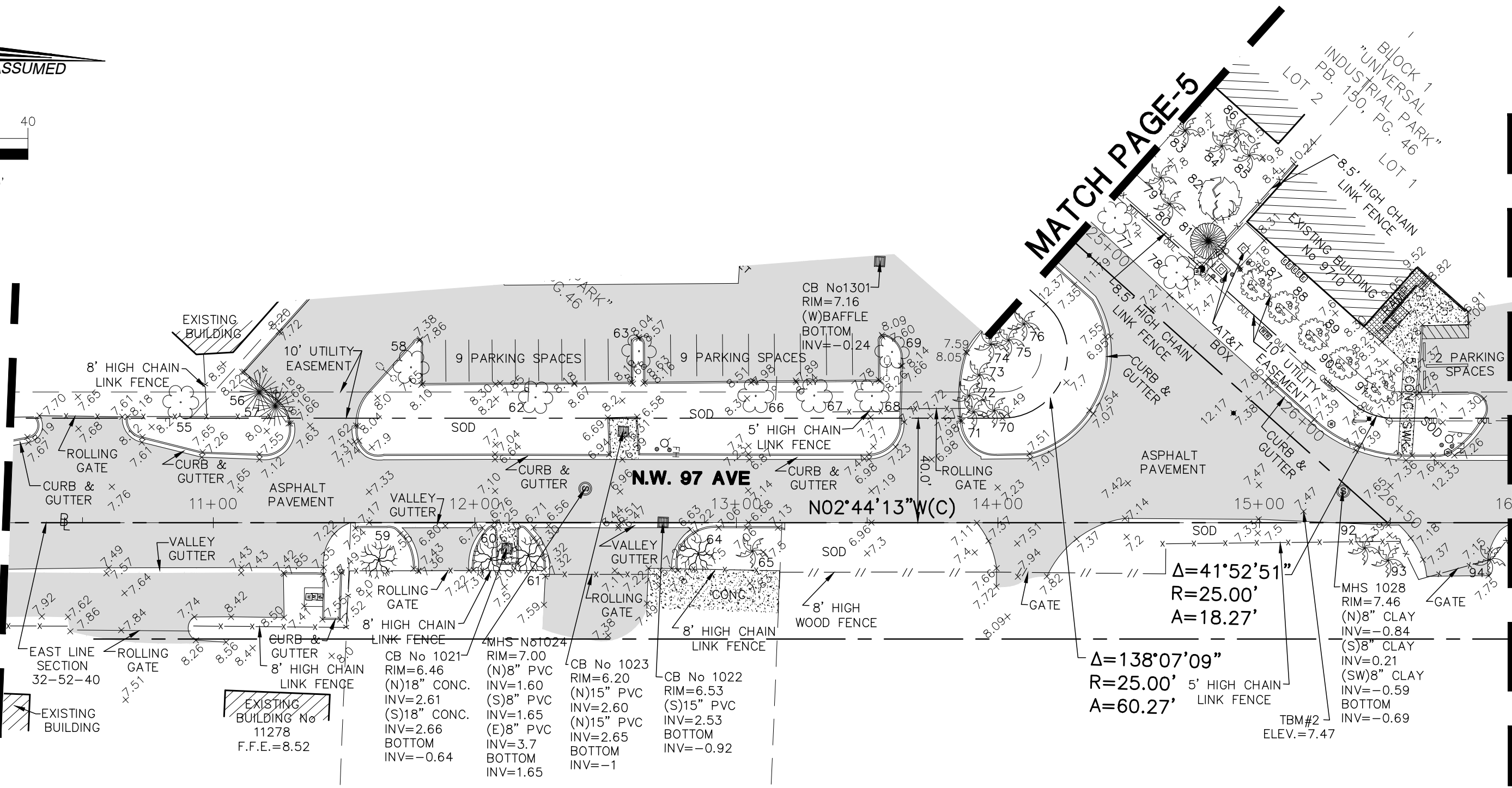
Job No.: 17019
Field Book: 372/64-78
DRAWN BY: BG
TECH BY: RI
QA/QC BY: AH
2/5



MATCH PAGE-2

MATCH PAGE-4

MATCH PAGE-5



N.W. 97 AVE

N02°44'13"W(C)

$\Delta=41^{\circ}52'51''$
 $R=25.00'$
 $A=18.27'$

$\Delta=138^{\circ}07'09''$
 $R=25.00'$
 $A=60.27'$

CB No 1021 RIM=7.00 (N)8" PVC INV=1.60 (S)8" PVC INV=1.65 (E)8" PVC INV=3.7 BOTTOM INV=-0.64	CB No 1023 RIM=6.20 (N)15" PVC INV=2.60 (N)15" PVC INV=2.65 BOTTOM INV=-1	CB No 1022 RIM=6.53 (S)15" PVC INV=2.53 BOTTOM INV=-0.92
---	--	---

"FLORIDA FRUIT LAND COMPANY SUBDIVISION"
 PB. 2, PG. 17

REVISIONS

1. UPDATE SURVEY 01-25-2018	6.
2.	7.
3.	8.
4.	9.
5.	10.



HADONNE

1985 NW 88th Court, Suite 201 • Doral, FL 33172 • P: +1(305)266-1188 • F: +1(305)207-6845 • W: www.hadonne.com

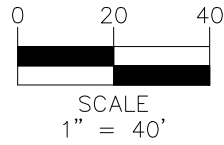
LAND SURVEYOR AND MAPPERS
 3D LASER SCANNING
 UTILITY COORDINATION
 SUBSURFACE UTILITY ENGINEERING

MAP OF TOPOGRAPHIX SURVEY

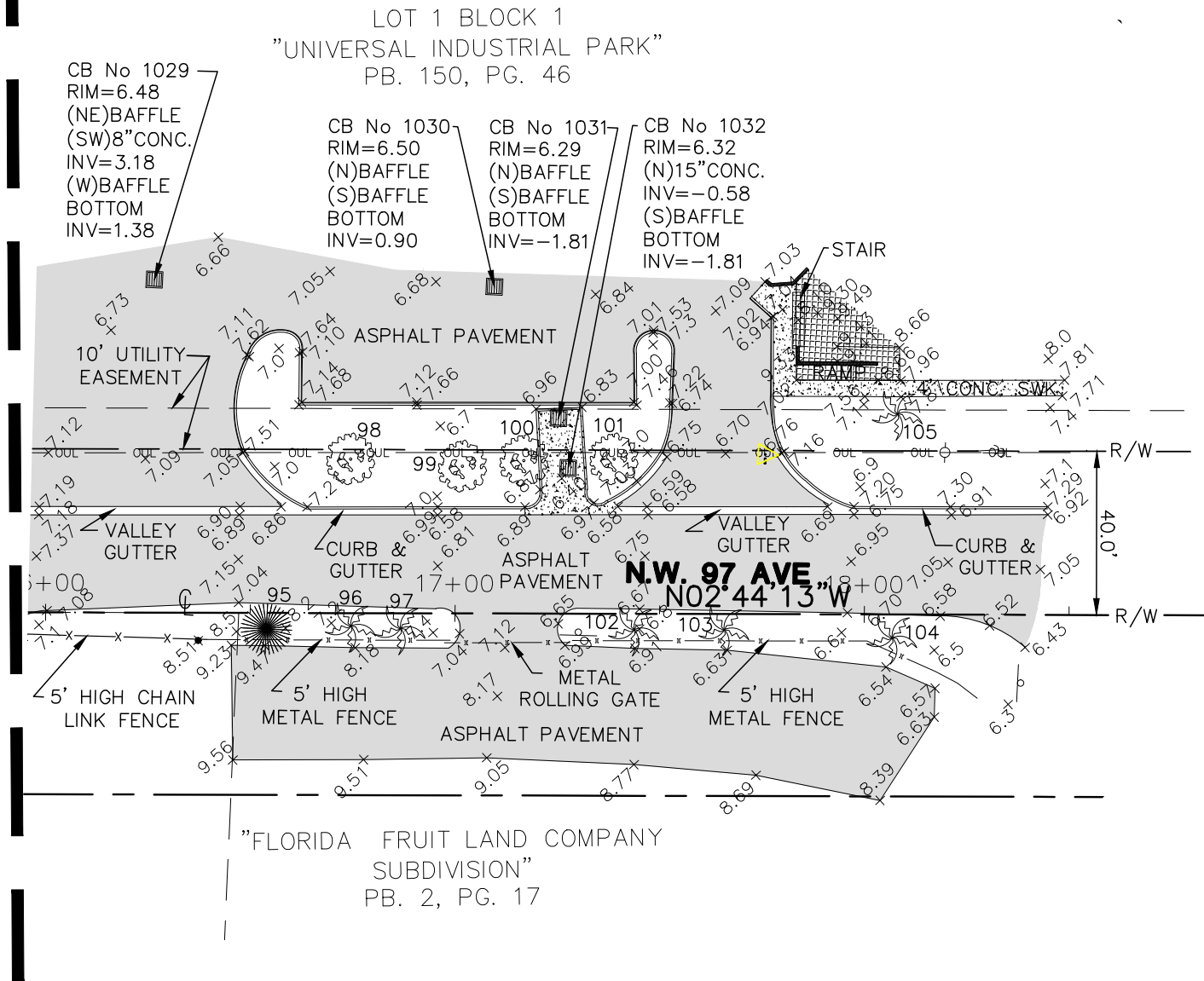
for
SRS ENGINEERING INC

9720 SW 114 WAY, MEDLEY, FL., 33178

Job No.: 17019
 Field Book: 372/64-78
 DRAWN BY: BG
 TECH BY: RI
 QA/QC BY: AH
 3/5



MATCH PAGE-3



REVISIONS

1. UPDATE SURVEY 01-25-2018	6.
2.	7.
3.	8.
4.	9.
5.	10.



HADONNE

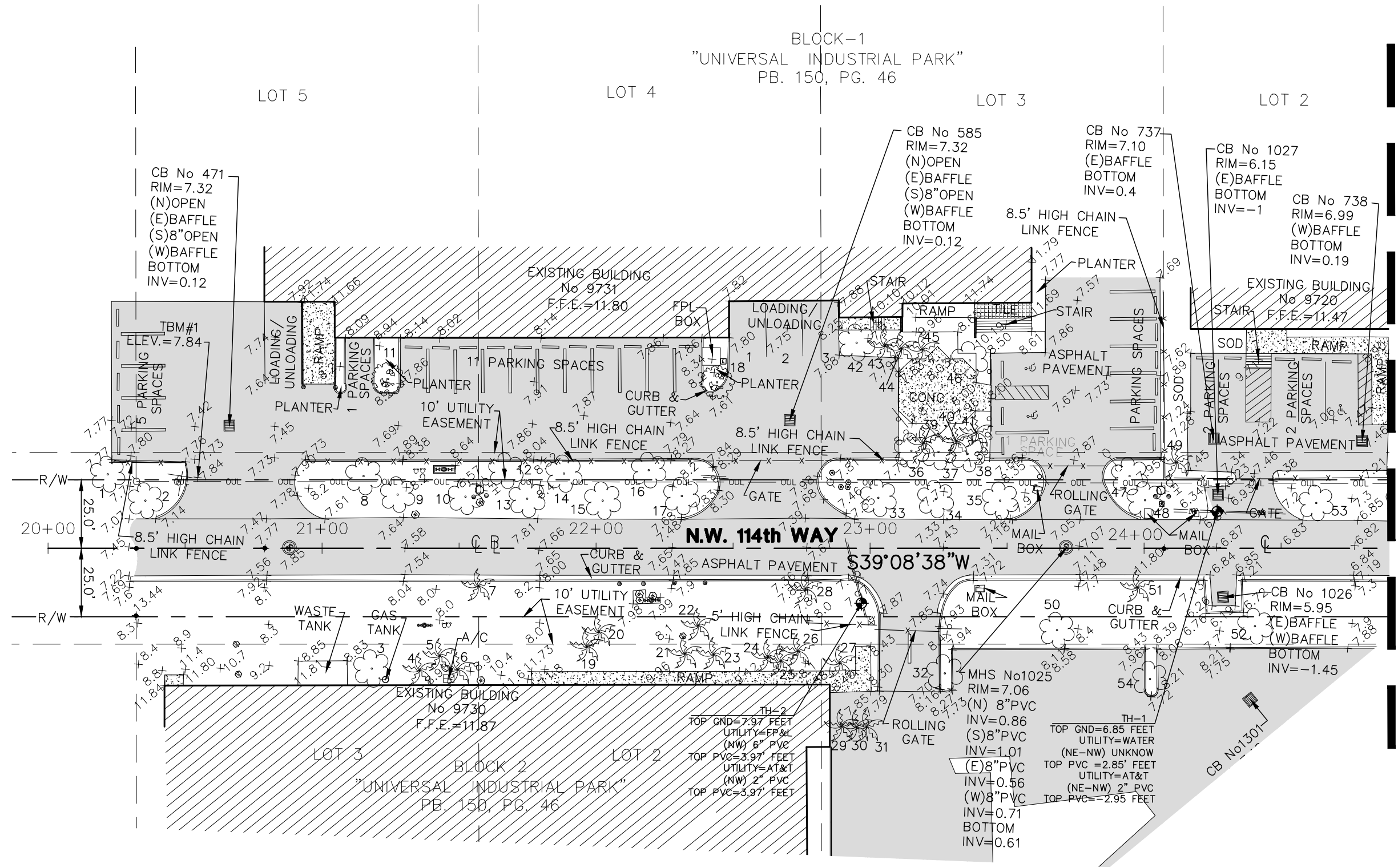
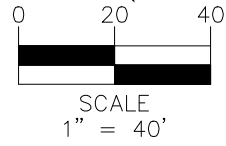
1985 NW 88th Court, Suite 201 • Doral, FL 33172 • P: +1(305)266-1188 • F: +1(305)207-6845 • W: www.hadonne.com

LAND SURVEYOR AND MAPPERS
3D LASER SCANNING
UTILITY COORDINATION
SUBSURFACE UTILITY ENGINEERING

MAP OF TOPOGRAPHIC SURVEY

for
SRS ENGINEERING INC
of
9720 NW 114 WAY, MEDLEY, FL., 33178

Job No.: 17019
Field Book: 372/64-78
DRAWN BY: BG
TECH BY: RI
QA/QC BY: AH
4/5



MATCH PAGE-3

REVISIONS	
1. UPDATE SURVEY 01-25-2018	6.
2.	7.
3.	8.
4.	9.
5.	10.

HADONNE
 LAND SURVEYOR AND MAPPERS
 3D LASER SCANNING
 UTILITY COORDINATION
 SUBSURFACE UTILITY ENGINEERING
 1985 NW 88th Court, Suite 201 • Doral, FL 33172 • P: +1(305)266-1188 • F: +1(305)207-6845 • W: www.hadonne.com

MAP OF TOPOGRAPHIC SURVEY
 for
SRS ENGINEERING INC
 of
9720 NW 114 WAY, MEDLEY, FL., 33178

Job No.:	17019
Field Book:	372/64-78
DRAWN BY:	BG
TECH BY:	RI
QA/QC BY:	AH
	5/5