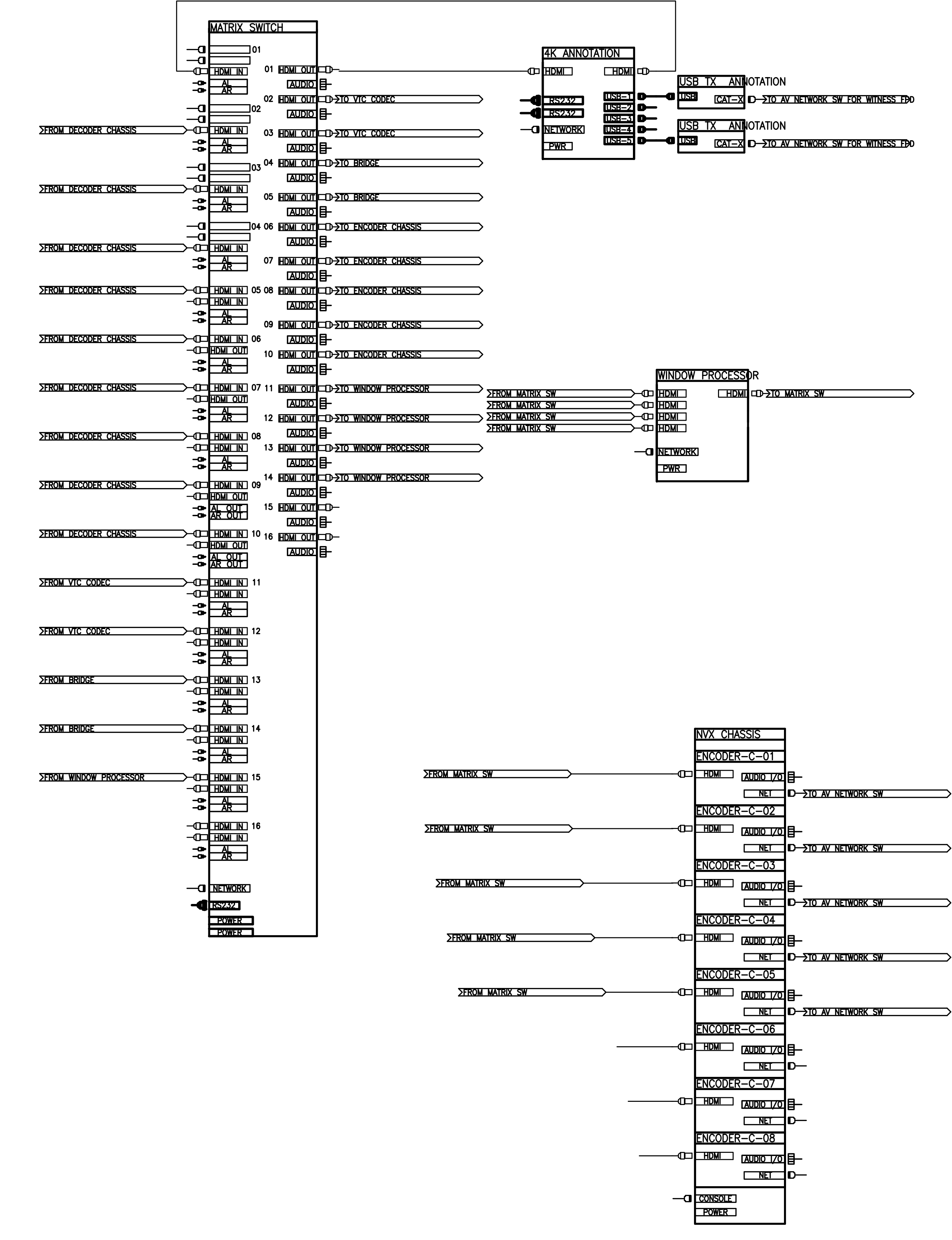
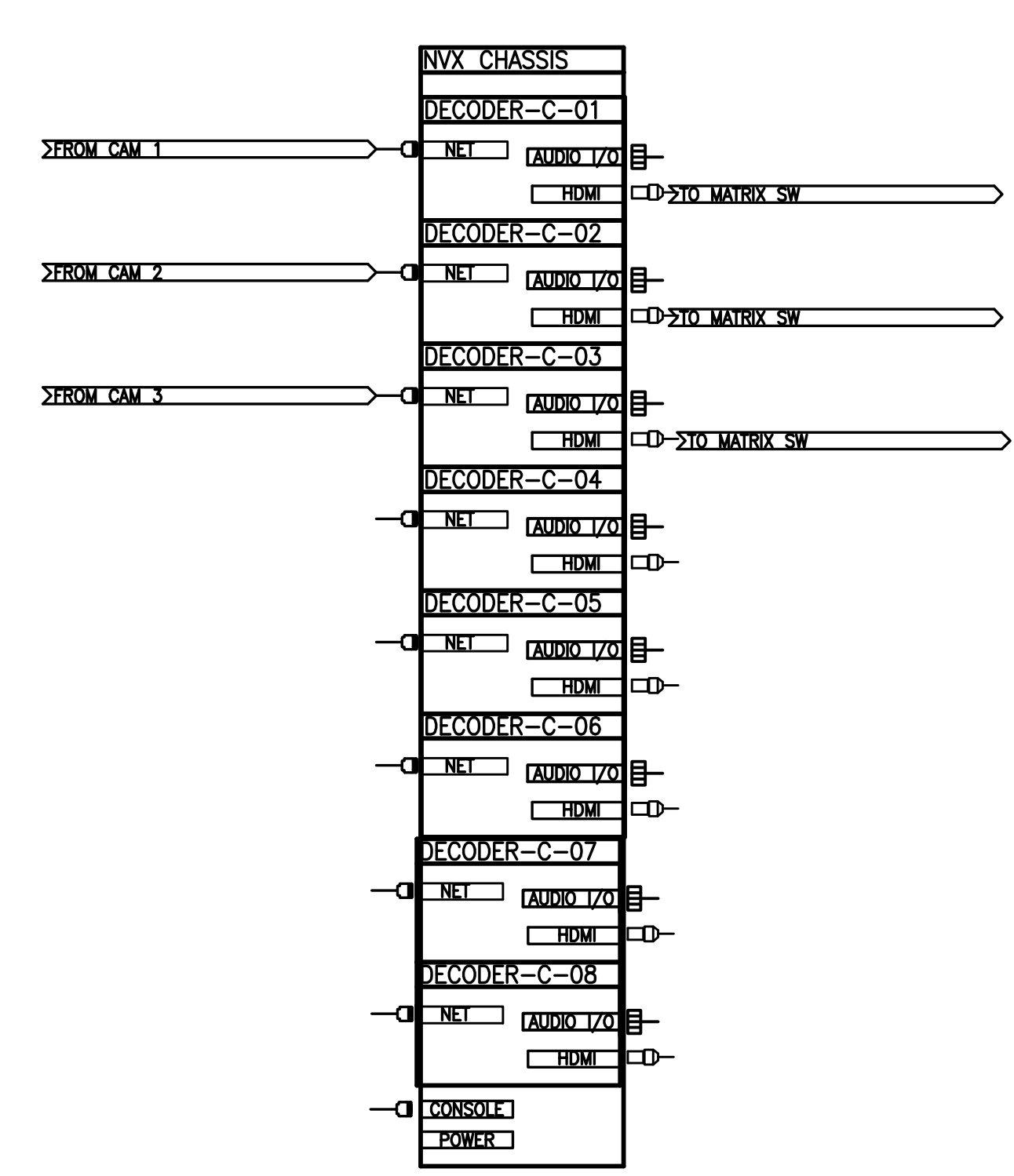
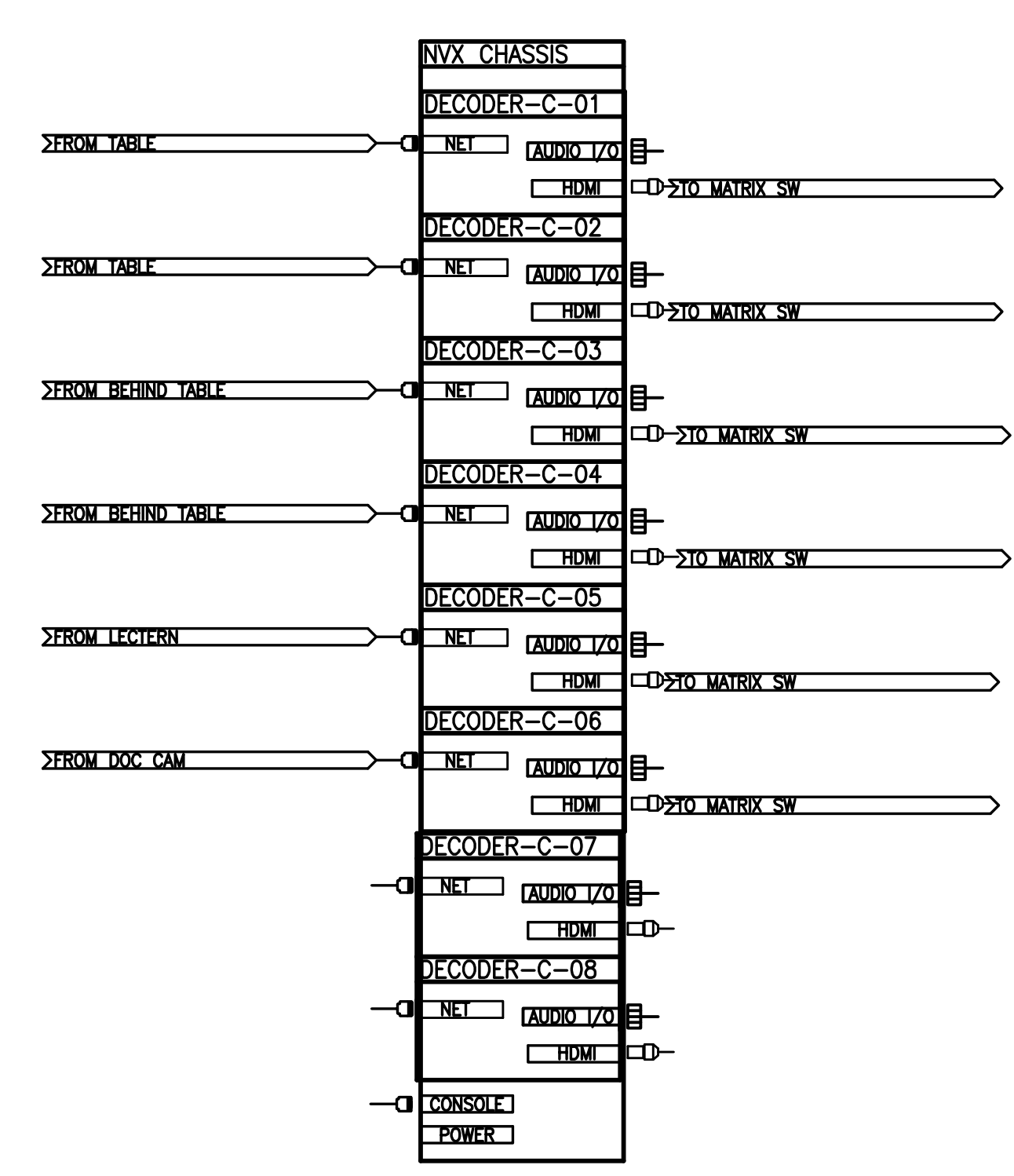
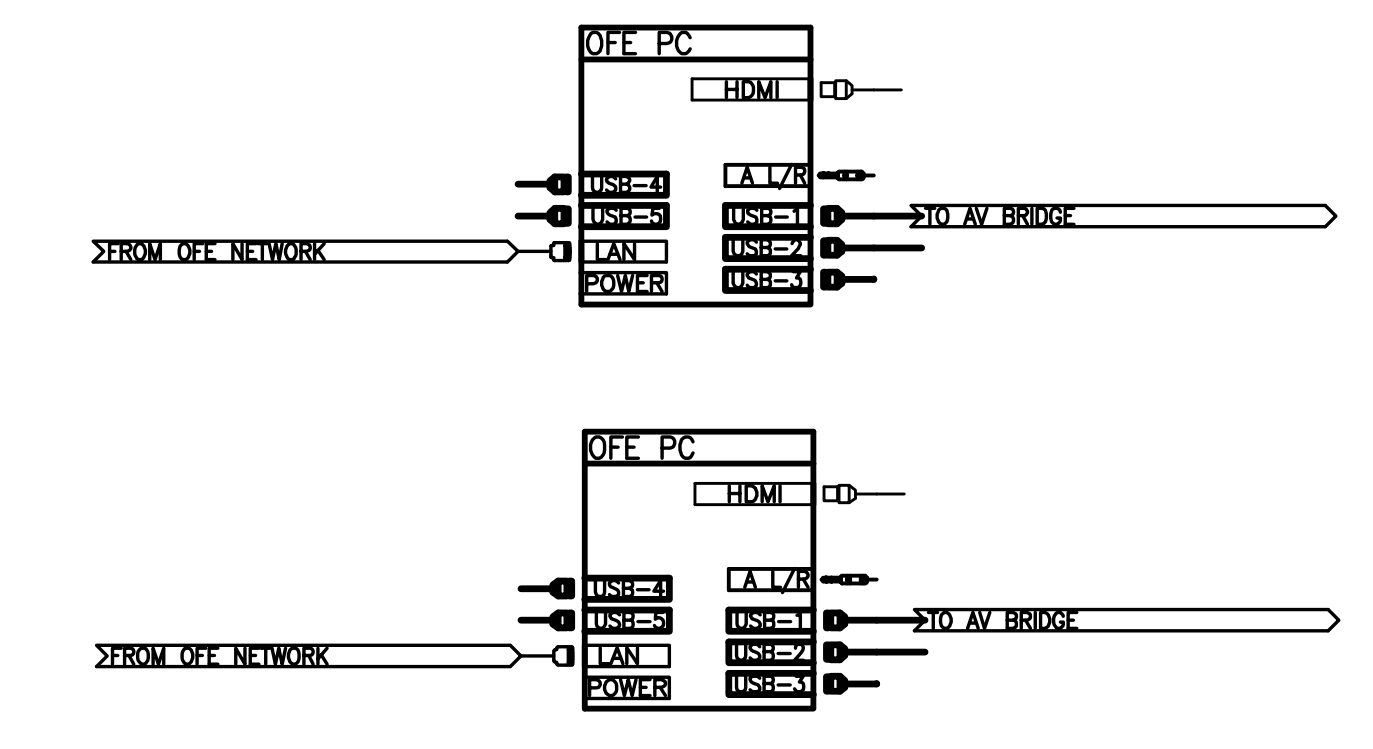
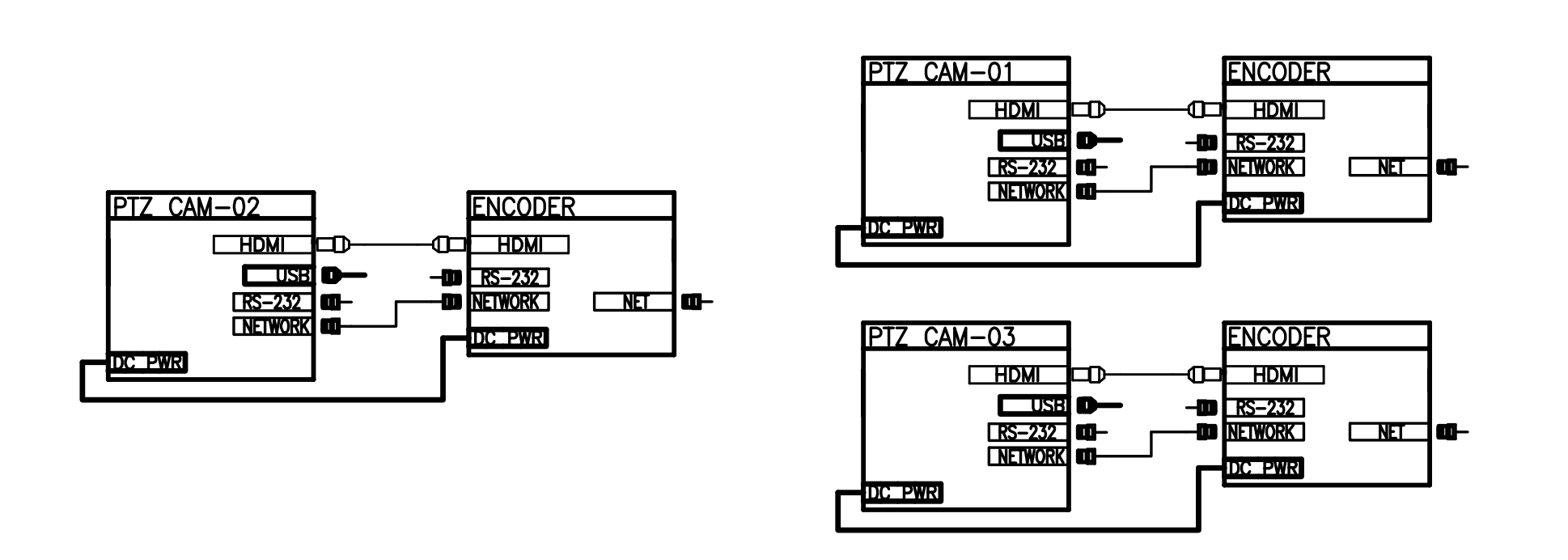
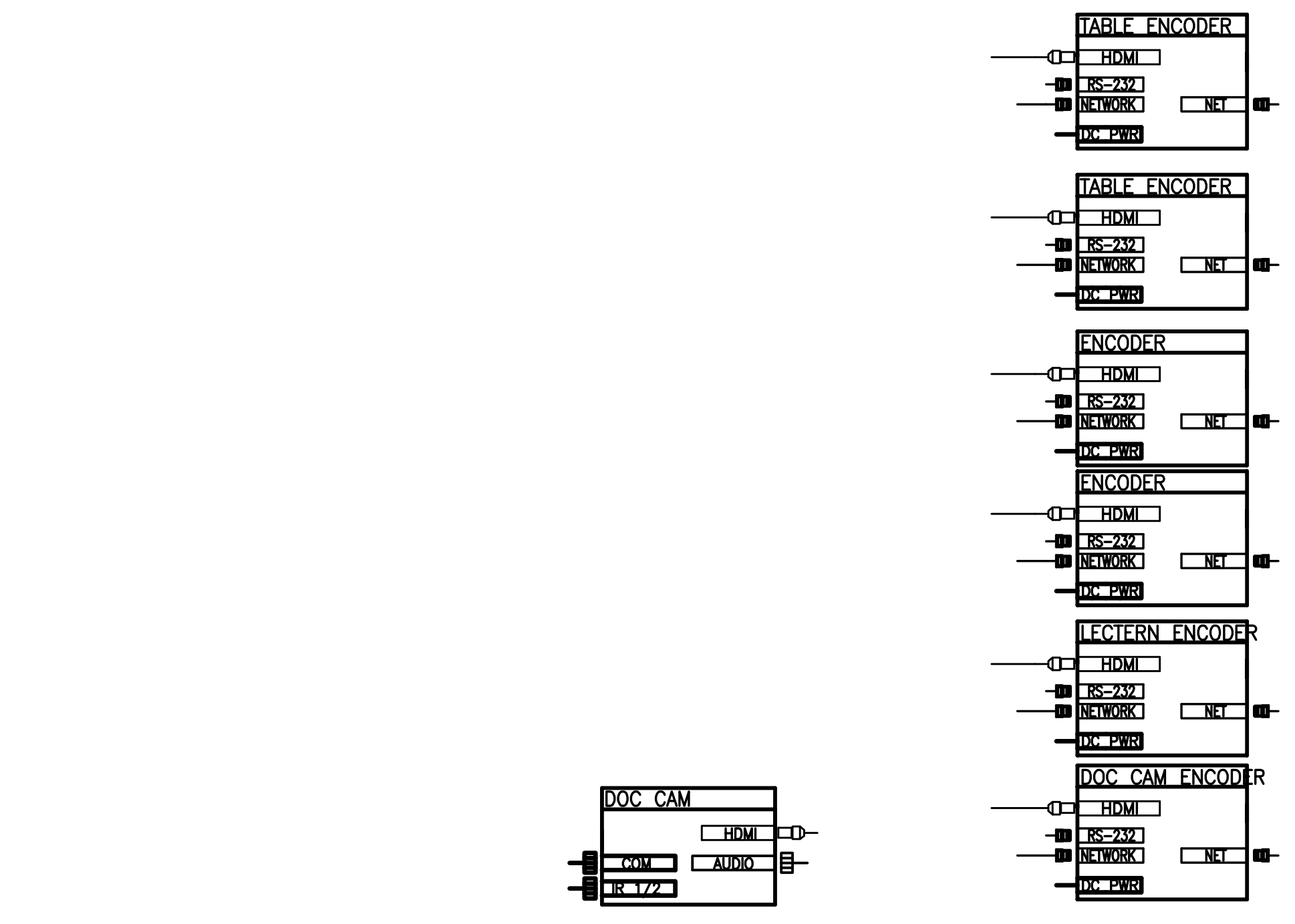


J  
H  
G  
F  
E  
D  
C  
B  
A

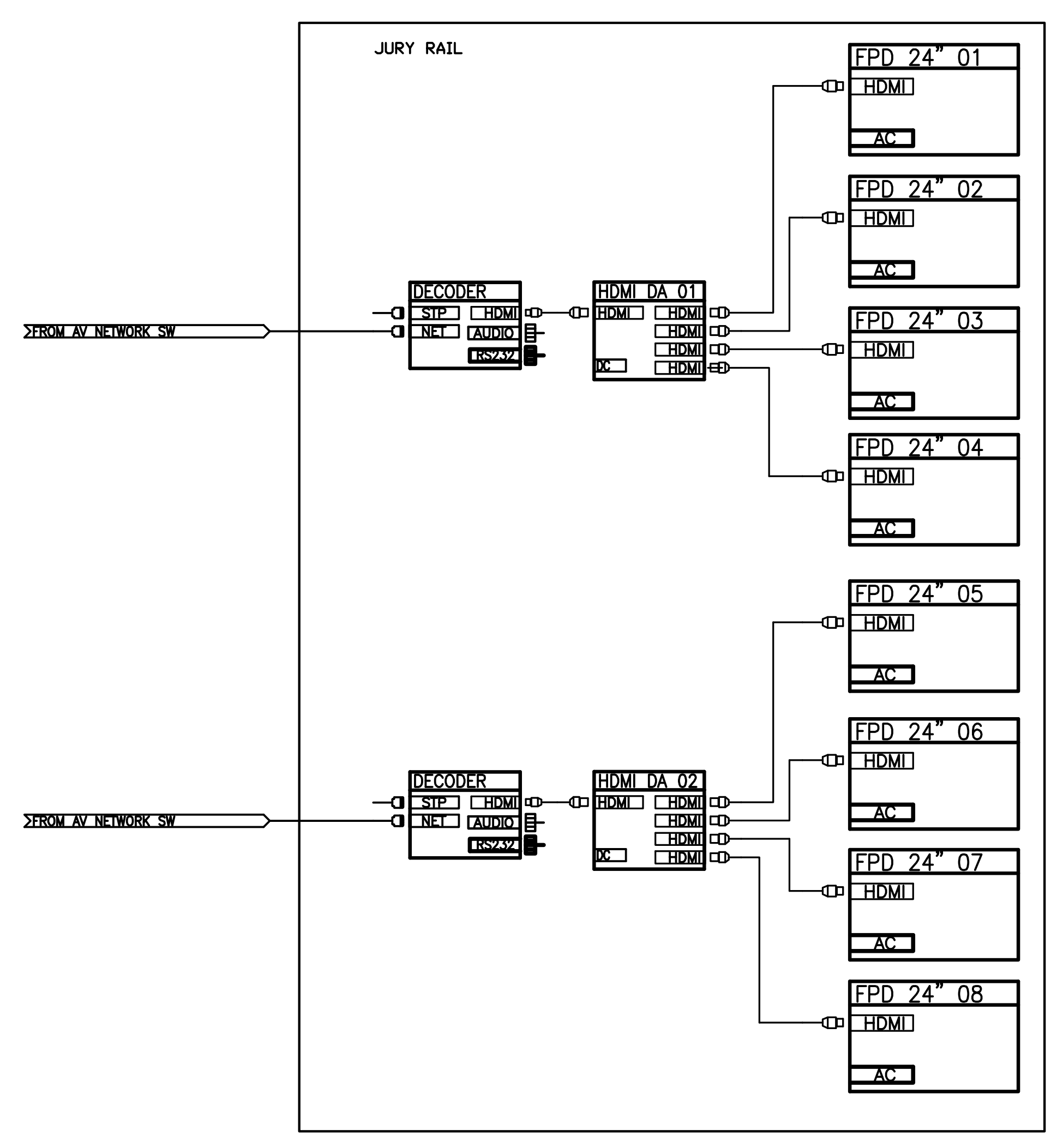
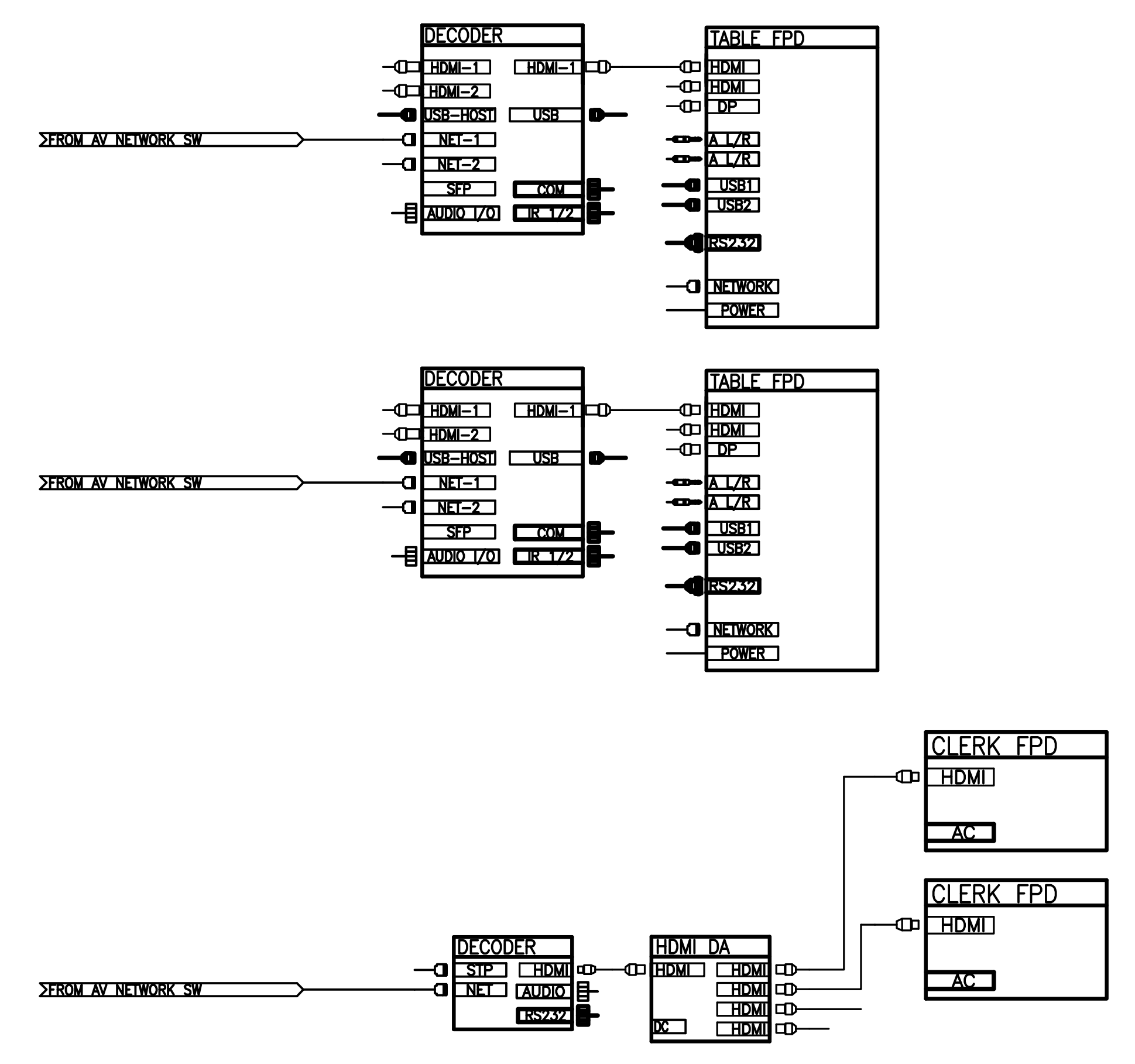
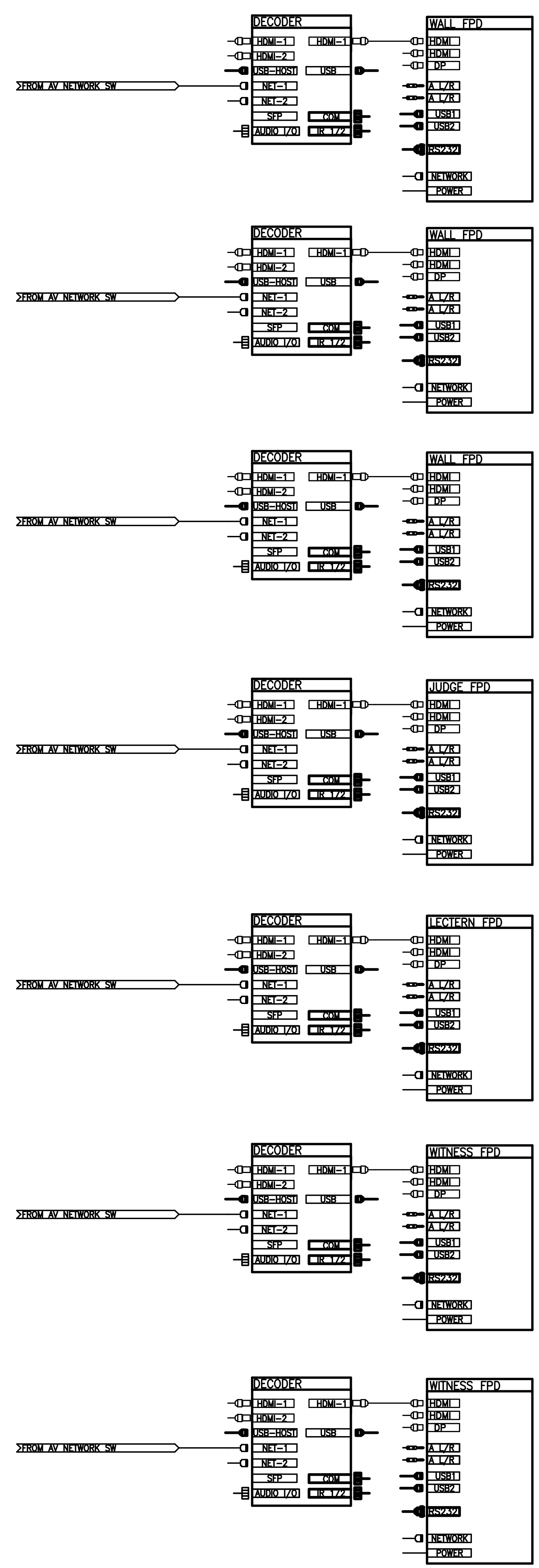


1 AUDIOVISUAL NTS

DATE	REVISIONS
May 26, 2022	Design Intent System Line Drawings

J  
I  
H  
G  
F  
E  
D  
C  
B  
A

1 AUDIOVISUAL  
NTS



PROJECT NO:	563005
DATE:	October 14, 2021
REVISIONS	
DATE	DESCRIPTION
May 26, 2022	Design Intent System Line Drawings

PROJECT NO:	563005
DATE:	October 14, 2021
REVISIONS	
DATE	DESCRIPTION
May 26, 2022	Design Intent System Line Drawings

