

ADDENDUM NO. 1

TO THE DRAWINGS AND SPECIFICATIONS
FOR THE
Tates Creek High School Track & Field Improvements
2/3/2023

To All Plan Holders of Record:

This Addendum modifies bid documents dated 1/24/2023 for the above project and shall become part of said documents in the preparation of proposals and execution of work of the subject project.

General:

1. New bid date for this project is February 16, 2023, at 2:00 PM.
2. The pre-bid meeting sign-in sheet is attached to this addendum.
3. Refer to attached Addendum Sheet from CMTA.

Specifications:

1. **Refer to Specification Section 001115 – Advertisement For Bids**

- a) Revise Bid Submittal date as follows:
 - i) Bid Submittal: Contractors must submit their bids to the Fayette County Board of Education, Ambrose Building, 128 Walton Avenue, Lexington, Kentucky 40508 until: **February 16, 2023**, 2:00 p.m., local time.

2. **Refer to Specification Section 004100 – Form of Proposal**

- a) Add Alt Bid No. 3 as Owner Preferred Turf Fiber Manufacturer.

3. **Refer to Specification Section 012300 – Alternates**

- a) Refer to part 1.04 – Schedule of Alternates. Add Item C as follows:
 - i) Alternate #3 – Owner Preferred Synthetic Turf Fiber Manufacturer: Provide the Owner-preferred Synthetic Turf Fibers for the infill synthetic turf system manufactured by TenCate Grass Fibers and Fabrics as the Owner-preferred.

4. **Refer to Specification Section 321823.29 – Artificial Turf**

- a) Refer to Part 1.05 – Submittals, Item A. Add item 6 as follows:
 - i) Provide a certificate of origin for yarns/turf fibers to be used for the synthetic turf system.
- b) Refer to Part 2.01 – Artificial Turf Materials
 - i) Refer to Item A. Add Item 8 as follows:
 - a) SprinTurf
 - (1) 146 Fairchild St., Suite 150, Daniel Island, South Carolina 29492, Phone (877)-686-8873
 - ii) Refer to Item B. Revise item as follows:
 - a) For the infilled turf system, all turf contractors must supply TenCate turf fibers as manufactured by TenCate Grass Fibers and Fabrics as part of the Alternate #3 Bid.

- iii) Refer to Item C. Revise Item 7 as follows:
 - a) Tufting Gauge: 3/8" – 1/2"
- iv) Refer to Item E. Add Item 7 as follows:
 - a) Ghost lines are to be tufted in the midfield logo. The ghost lines are to have two (2) inches of field/logo/text color with one (1) inch of black fiber on each side to create a four (4) inch wide line that can be cut into the turf to create the ghost lines. The lineal feet of each color of ghost line is to be determined by the manufacturer to ensure that adequate material is manufactured for the ghosting of all competition lines that go through any logo and text.
- c) Refer to Part 2.02 – Other Materials
 - i) Add Item C as follows:
 - a) Geotextile Fabric: Non-biodegradable, non-woven, needle punched, 4-oz/sy (minimum weight).
- d) Refer to Part 3.06 Shockpad/Underlayment Pad
 - i) Add item G as follows:
 - a) Prior to installation of the shock pad, contractor shall install a layer of non-woven filter fabric over the finished laser graded subgrade. Filter fabric shall be lapped 12-inches and shingled from mid field towards the track curb.

Drawings:

- 1. **Refer to Drawing Sheet SD0.2 – Site Demolition Plan**
 - a) Revise site demolition tag note #1 as follows:
 - i) Remove all existing synthetic turf carpet & infill. Protect existing shock pad during turf carpet and infill removal. Shock pad is to be removed, salvaged, and stored until re-installed. Shock pad is to be covered as necessary to protect from UV while stored. **Once shock pad is removed, contractor shall remove and dispose of existing underlying filter fabric.** Remove existing infill and turf materials from site and recycle or legally dispose of. Protect existing cap stone and subdrainage stone to remain.
 - b) Revise Site Demolition tag note #4 as follows:
 - i) Remove existing sports equipment and associated foundations in good condition. Return sports equipment to Owner's storage facility.
- 2. **Refer to Drawing Sheet SD4.1 – Site Details**
 - a) Refer to detail A/SD4.1 on the attached SD4.1 sheet.
 - i) Revise Perimeter Turf Connection detail as shown to add filter fabric to be installed between the choker stone course and shock pad.
 - b) Refer to detail C/SD4.1 on the attached SD4.1 sheet.
 - i) Revise detail as shown to add ghost lines through center field logo.
 - c) Refer to detail G/SD4.1 on the attached SD4.1 sheet.
 - i) Revise detail as shown to clarify sand pit forms to be filled with concrete per manufacturer's recommendations.
 - d) Refer to detail I/SD4.1 on the attached SD4.1 sheet.
 - i) Revise detail as shown to show adjacent turf system and nailer boards.

TATES CREEK HIGH SCHOOL TRACK & FIELD IMPROVEMENTS
ADDENDUM #1 – MEP **2/2/2023**

Item #1 Refer to the Electrical Specifications and Electrical Drawing UE1.0 and UE2.0

- A. Remove Electrical Site Note AA, which refers to an allowance required by Kentucky Utilities, no allowance required.

END OF ADDENDA ITEMS

DATE: February 2nd, 2023

RE: Tates Creek High School Track & Field Improvements
RTA# 2269
BG# 23-169
FCPS# 16-23

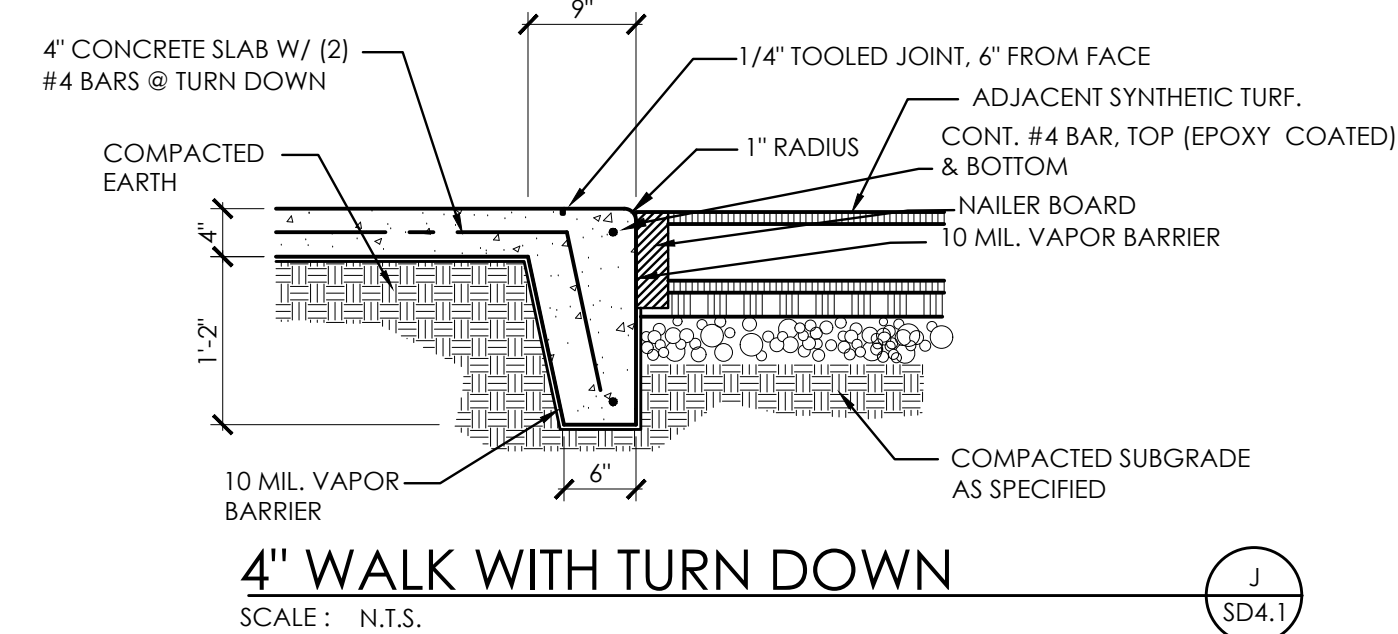
MEETING TYPE: Pre-Bid Meeting

IN ATTENDANCE:

Bill Hostetler
Jamie Copting
Scott Fitch
Chris Parks
Todd Shadowen
Jamil Egli
Curt Michalek
Michael Mays

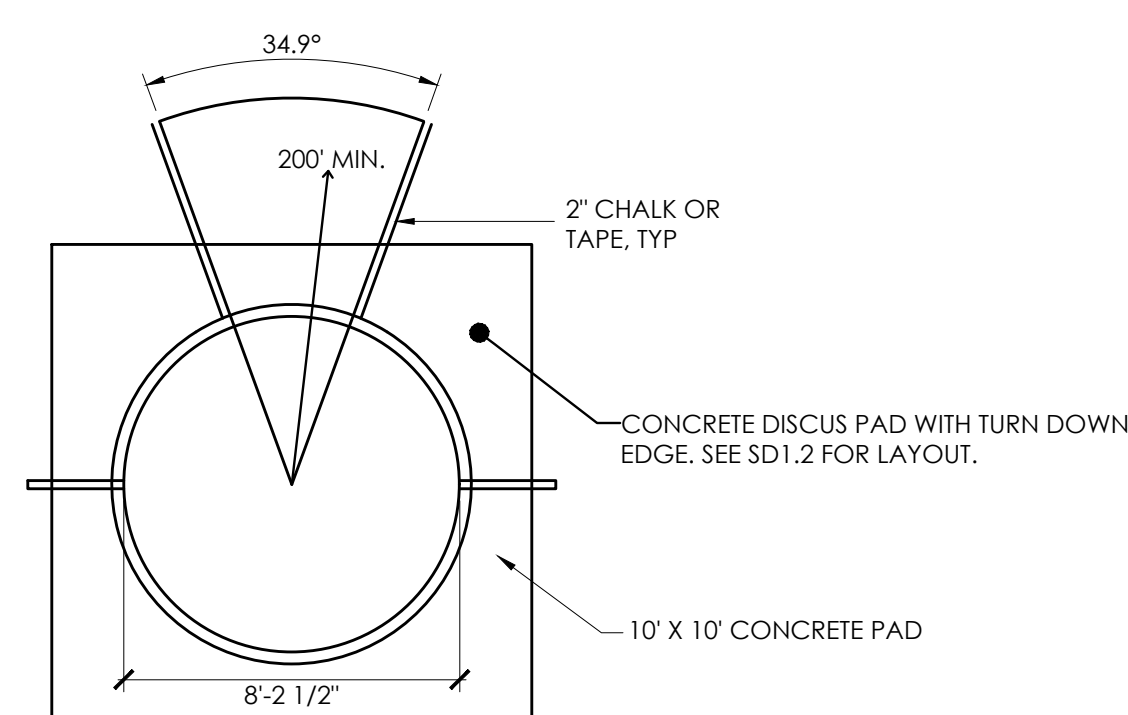
REPRESENTING & PHONE NUMBER:

Cutter Pulliam Elec.
Polysport (615) 587-7765
FCPS
Voscio 859-533-5631
Sprintout 859-312-0908
Guardian Construction
Musco 502-418-6804
RTA 859-254-4018

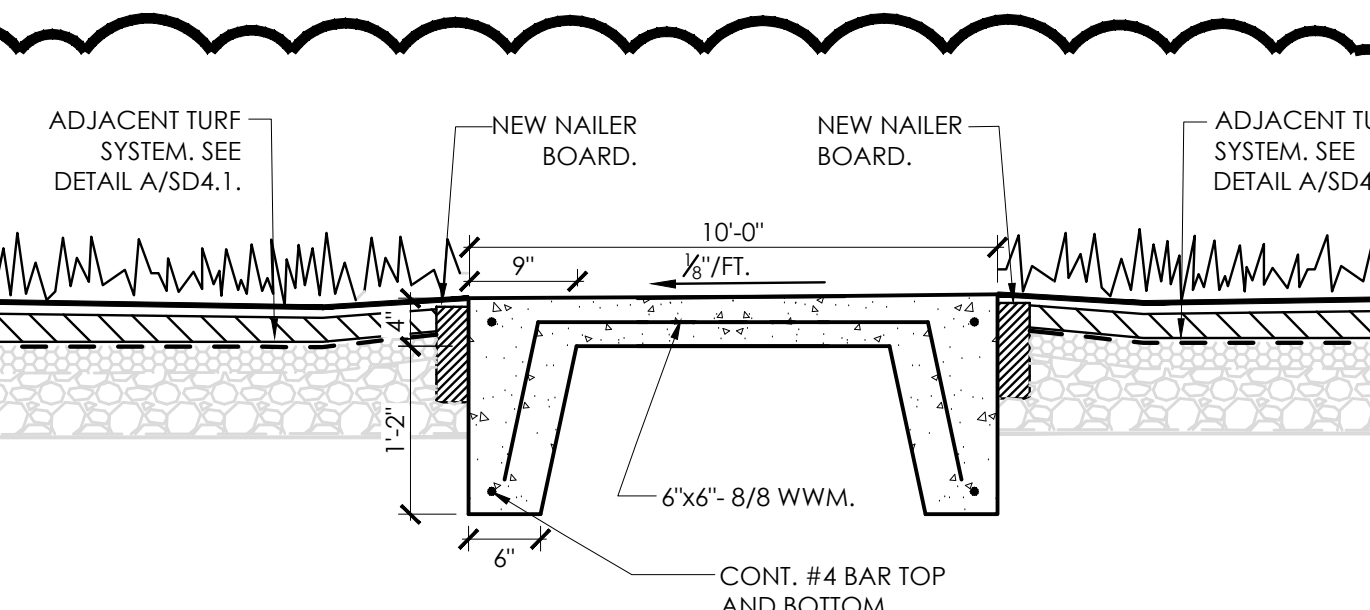
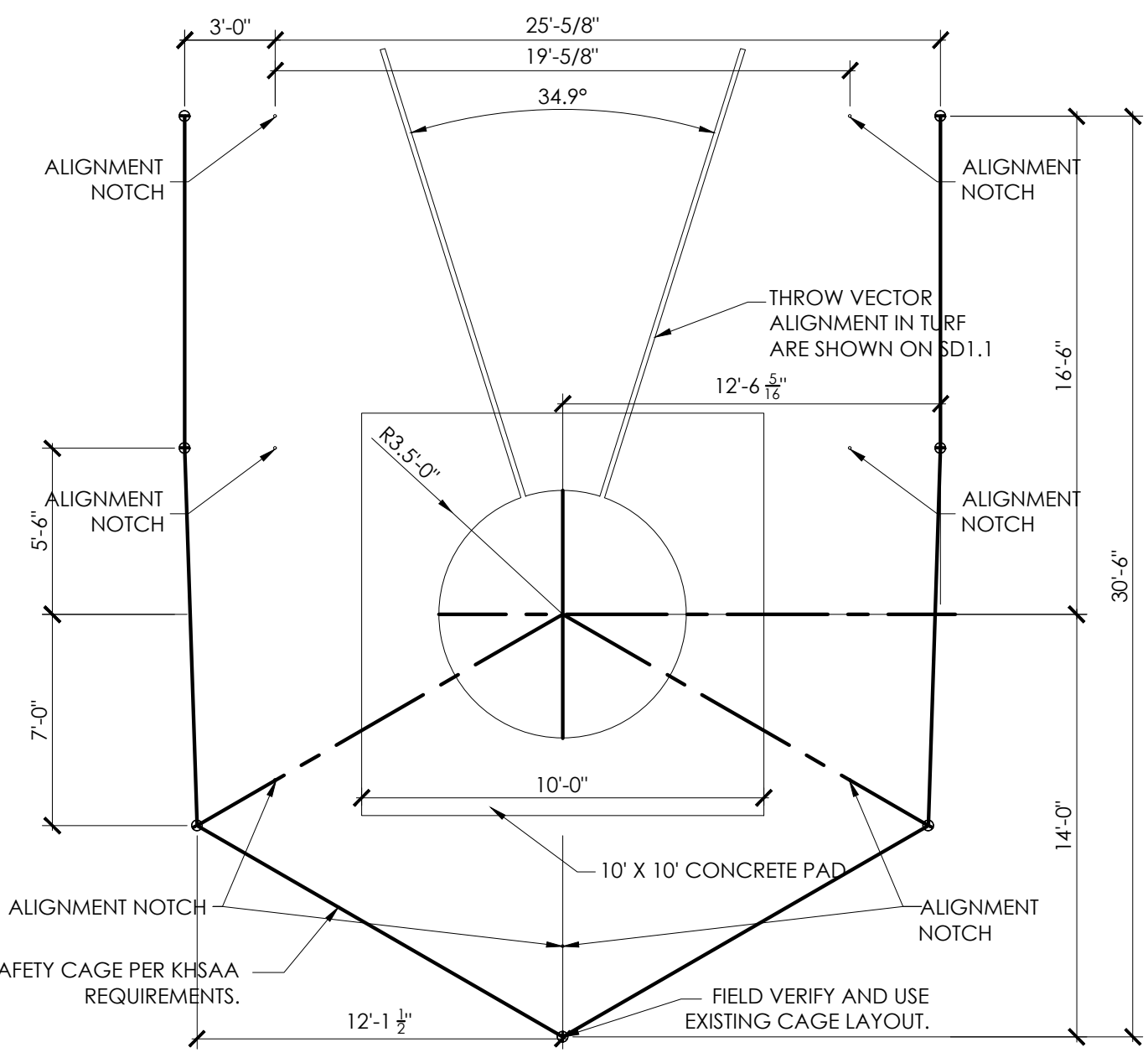


4" WALK WITH TURN DOWN
SCALE: N.T.S.

SD4.1

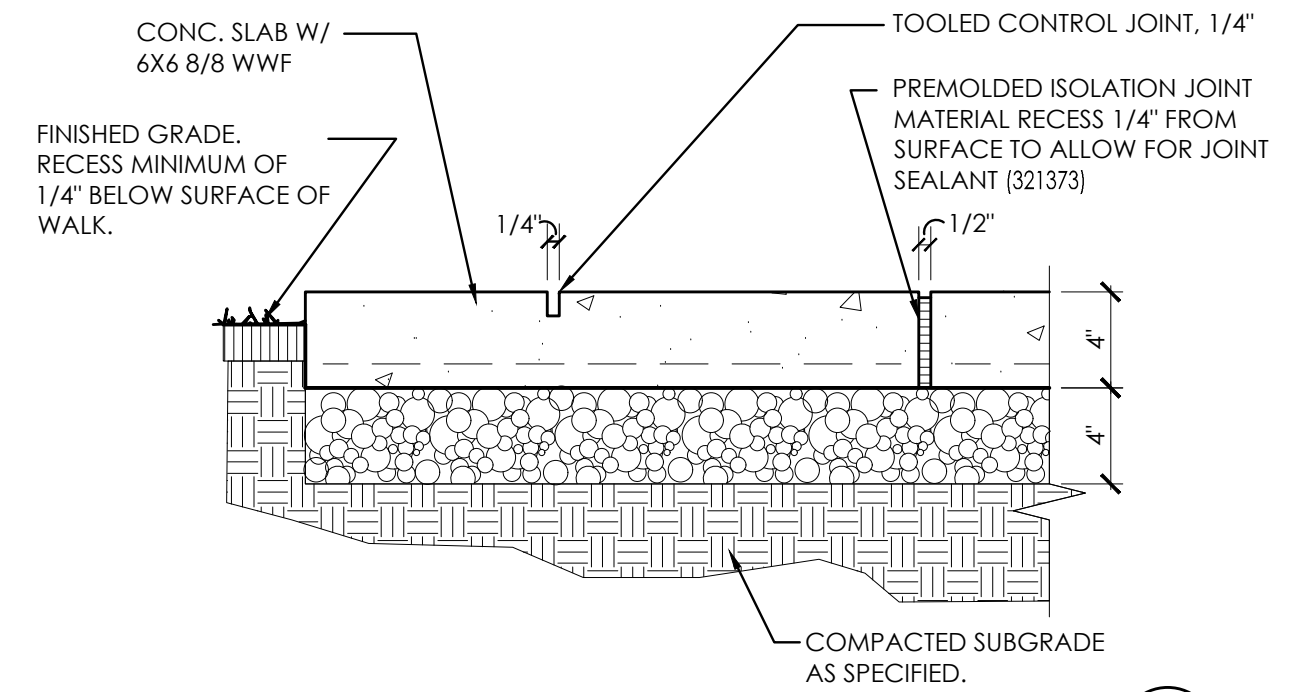


CONCRETE DISCUS PAD WITH TURN DOWN EDGE, SEE SD1.2 FOR LAYOUT.
10' X 10' CONCRETE PAD



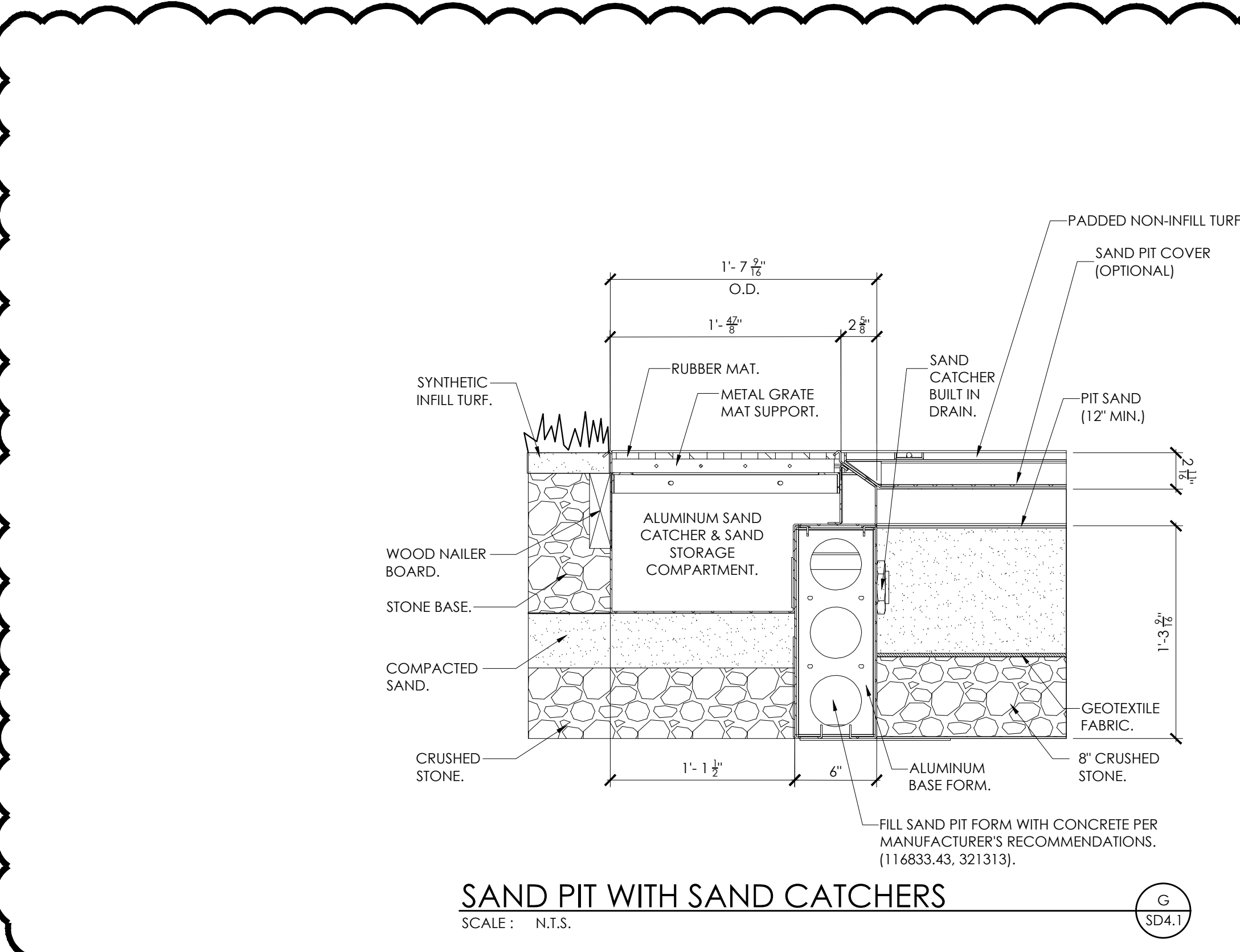
DISCUS CAGE AND PAD
SCALE: N.T.S.

SD4.1



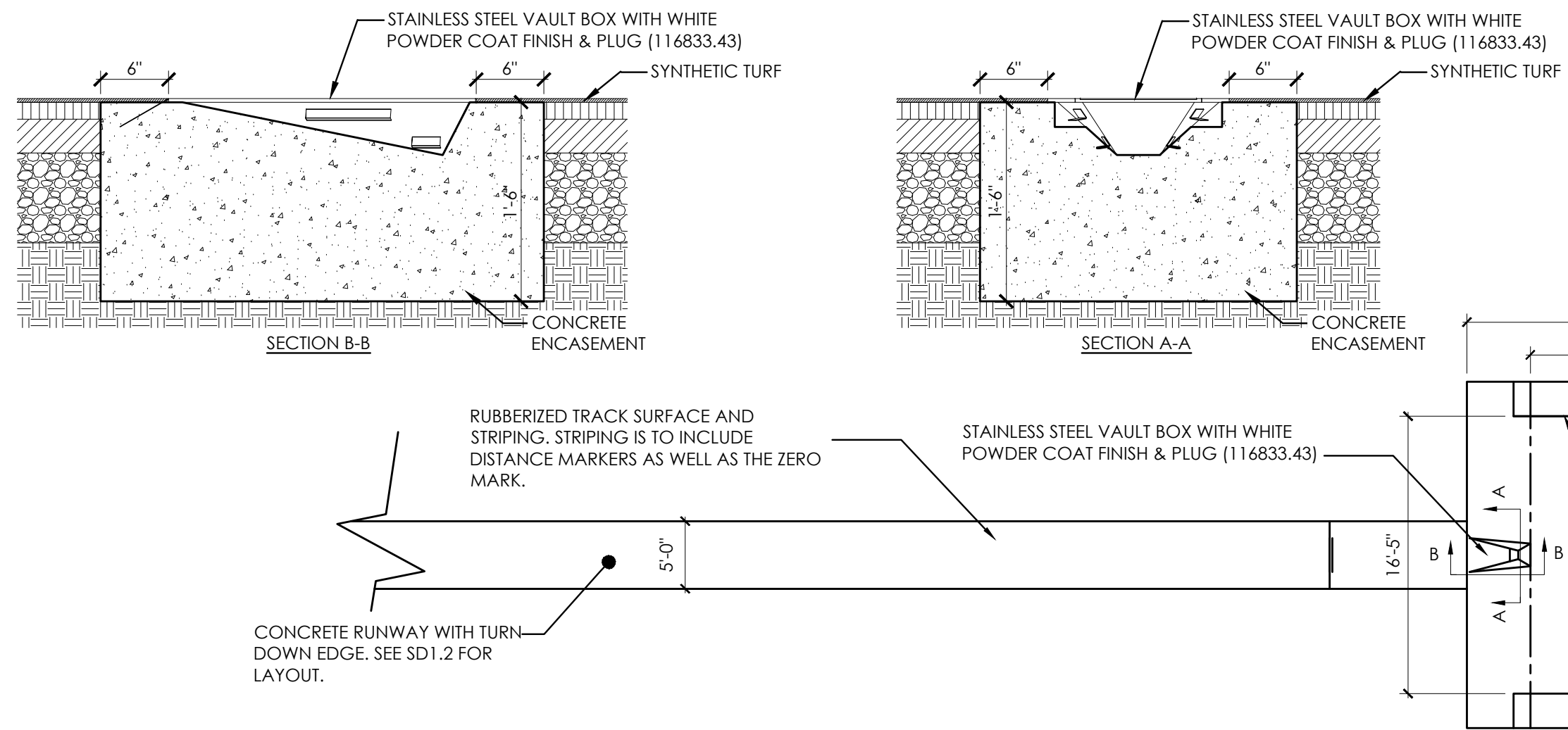
CONCRETE PAVEMENT (321313)
SCALE: 3/4" = 1'-0"

SD4.1



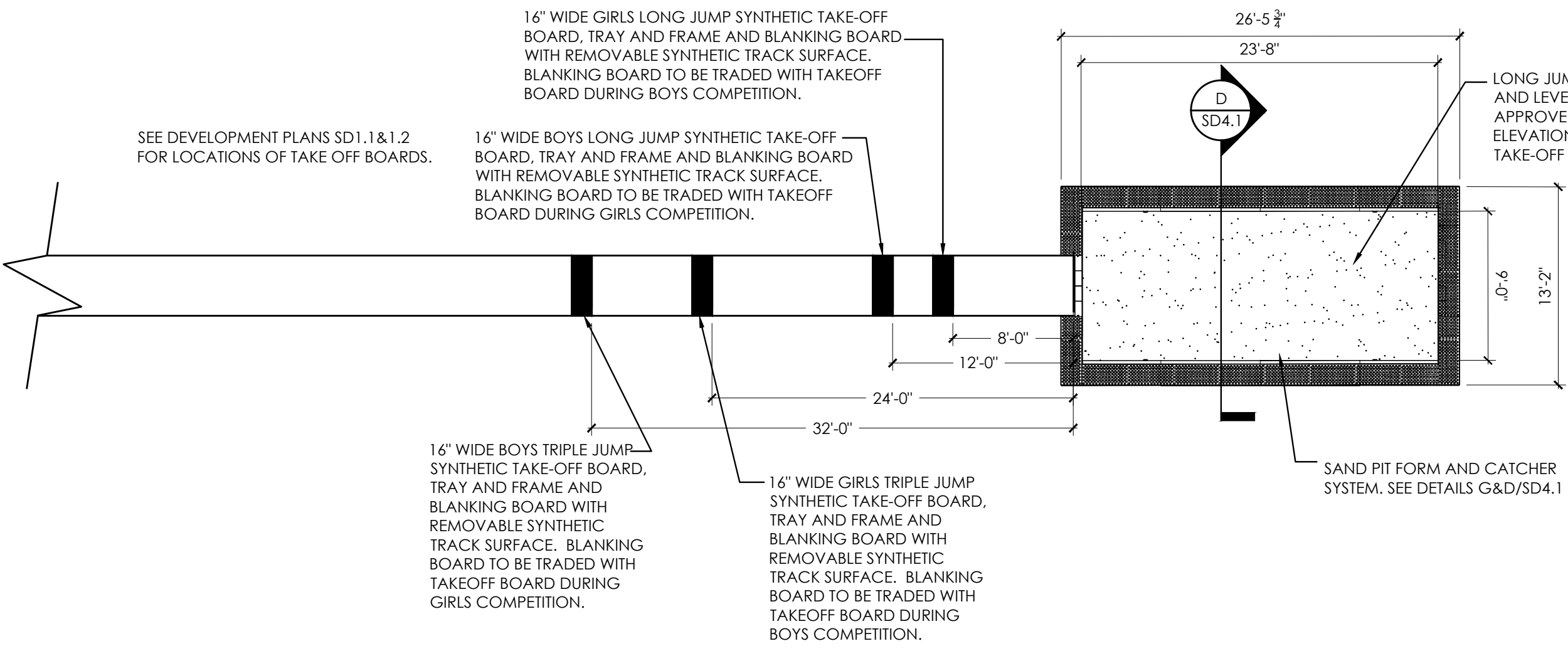
SAND PIT WITH SAND CATCHERS
SCALE: N.T.S.

SD4.1



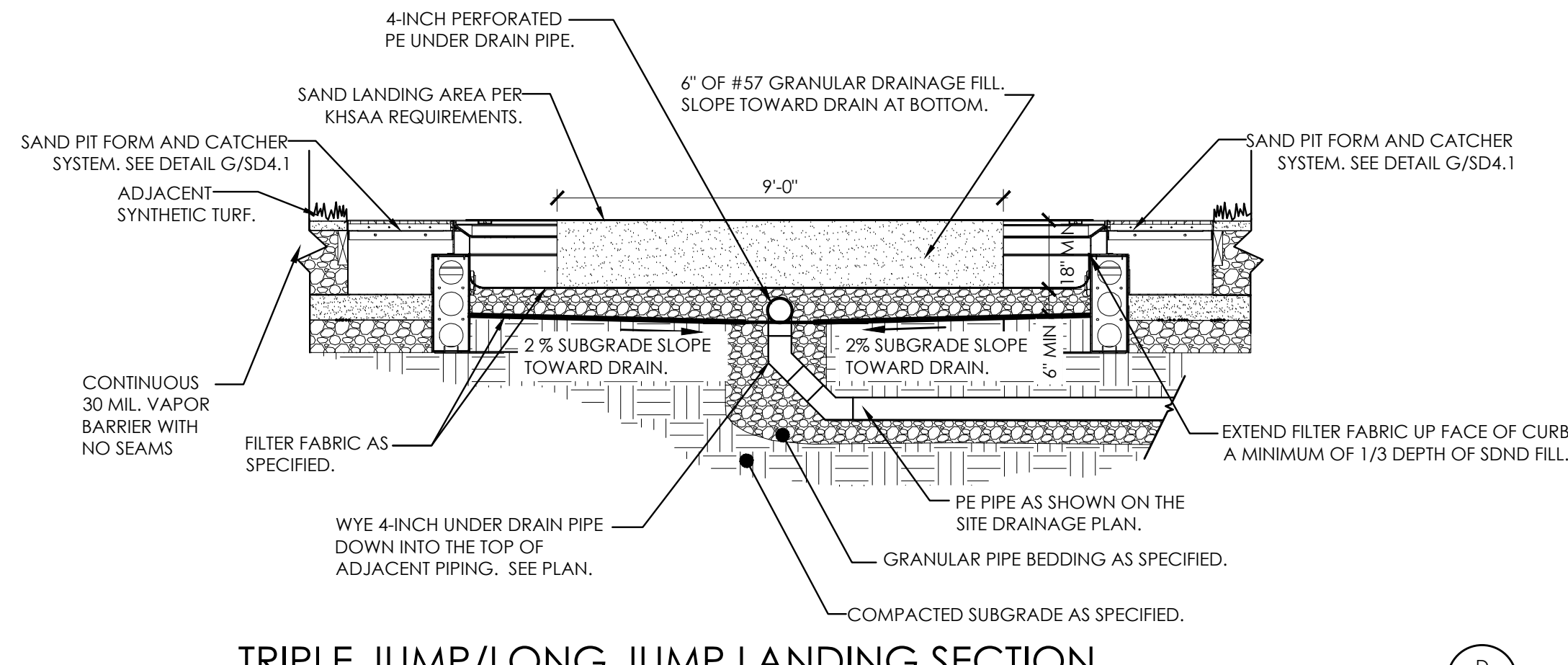
POLE VAULT RUNWAY AND LANDING AREA
SCALE: N.T.S.

SD4.1



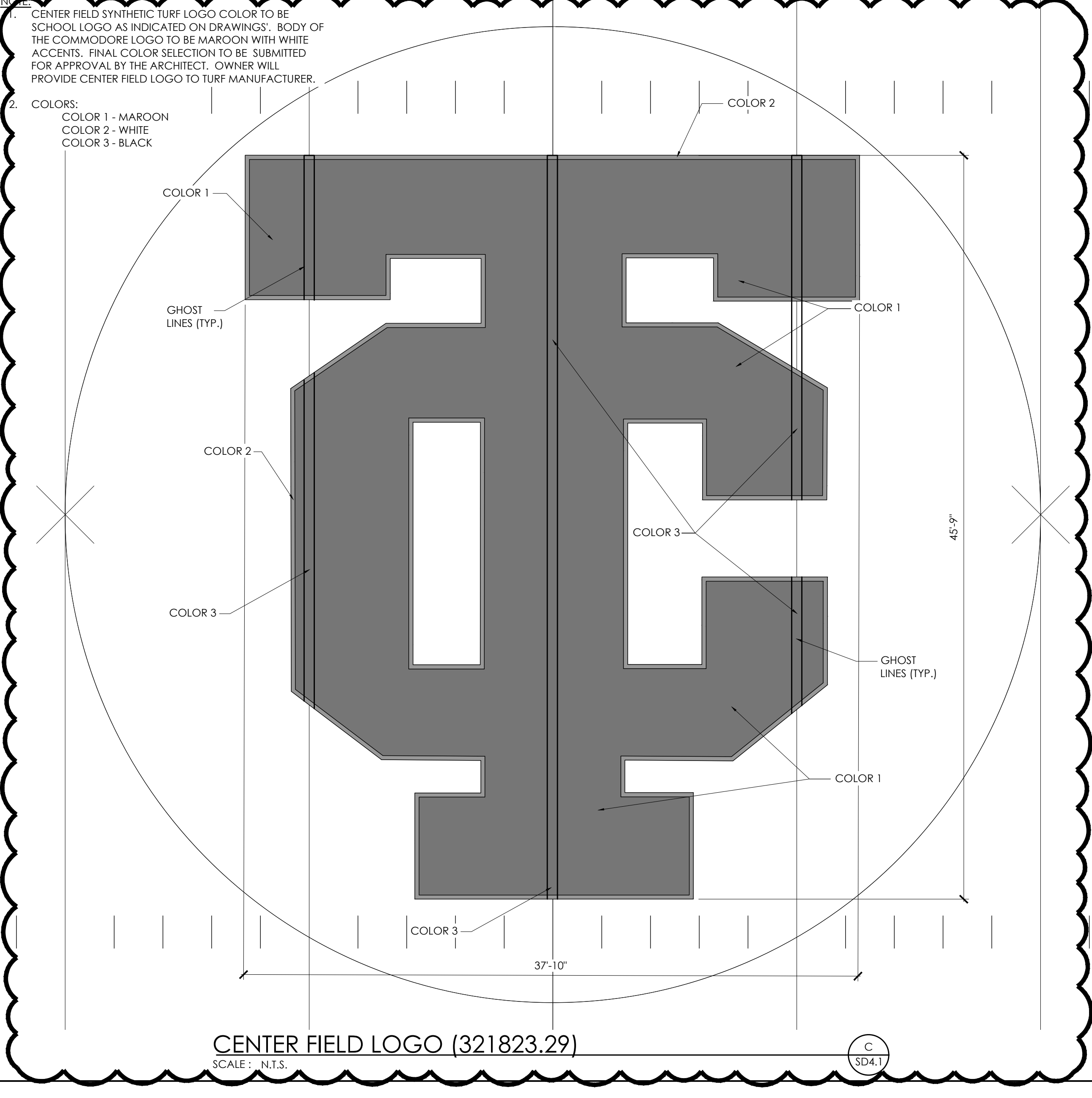
TRIPLE JUMP/LONG JUMP RUNWAY AND LANDING AREA
SCALE: N.T.S.

SD4.1



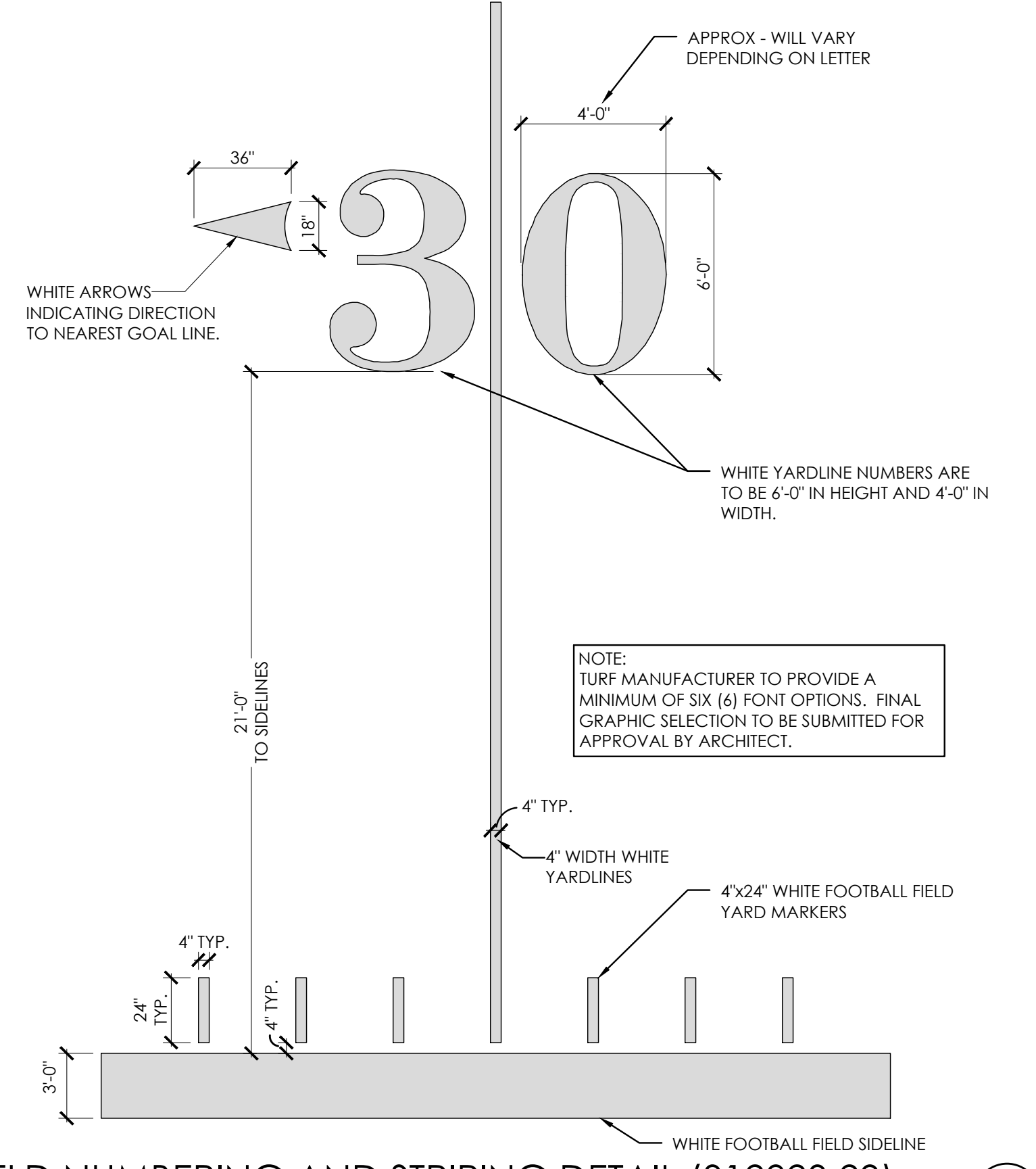
TRIPLE JUMP/LONG JUMP LANDING SECTION
SCALE: 1/2" = 1'-0"

SD4.1



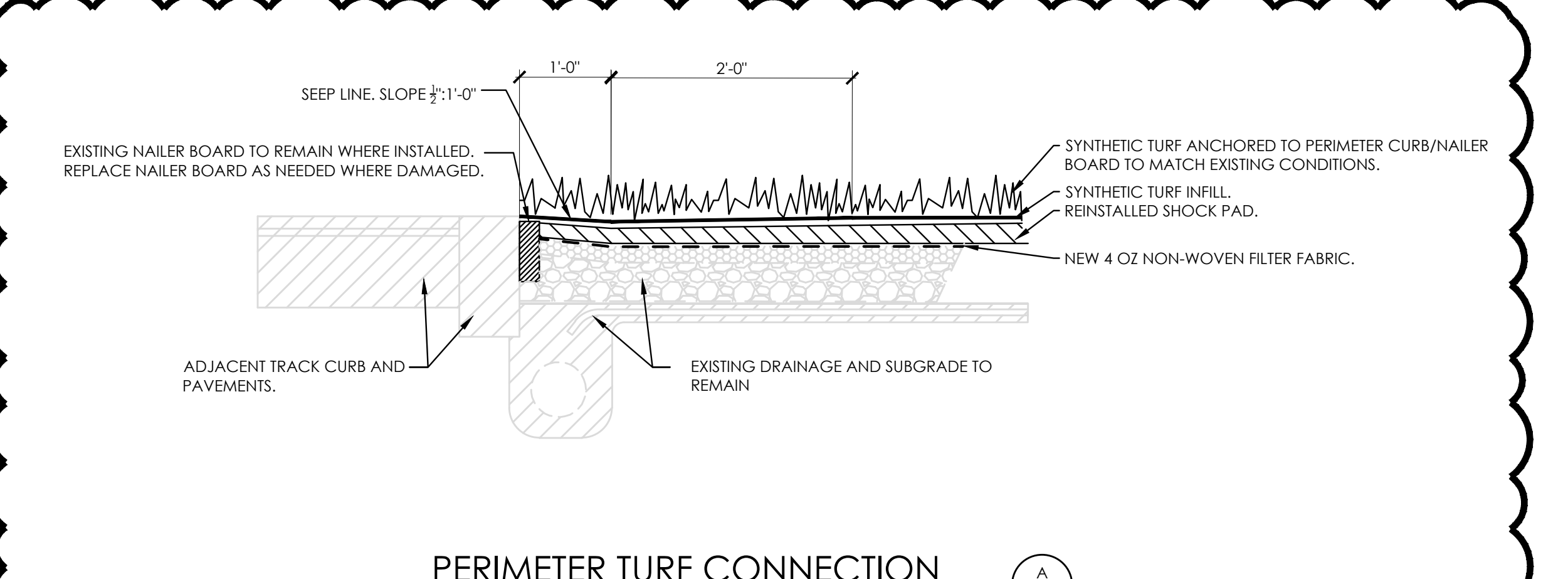
CENTER FIELD LOGO (321823.29)
SCALE: N.T.S.

SD4.1



FIELD NUMBERING AND STRIPING DETAIL (312823.29)
SCALE: N.T.S.

SD4.1



PERIMETER TURF CONNECTION
SCALE: N.T.S.

SD4.1