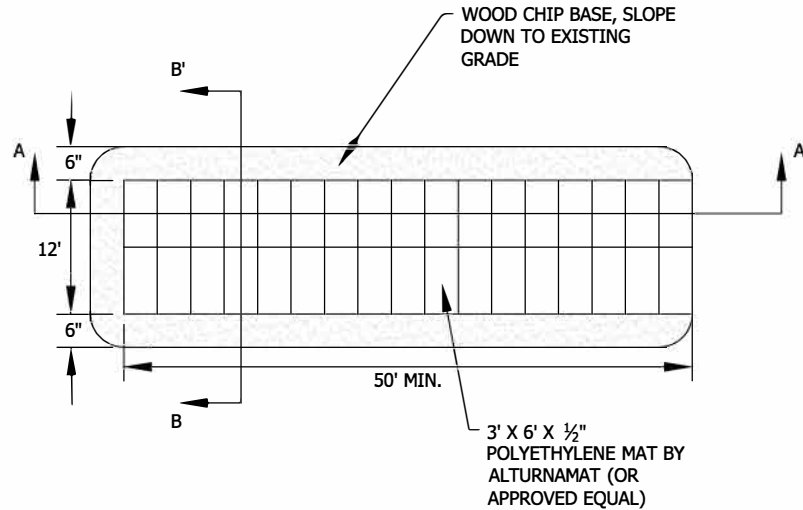
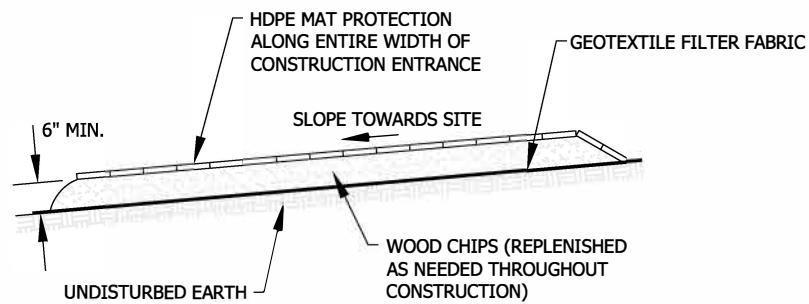


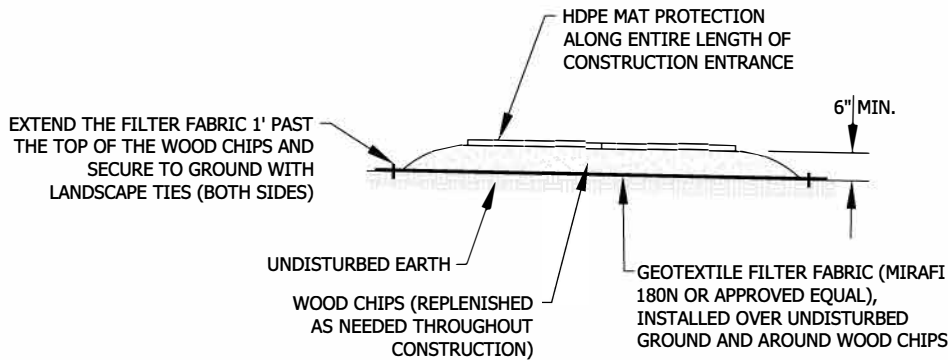
01500-C13-00002 Mulch/Mat Construction Entrance



PLAN VIEW



SECTION A-A'



SECTION B-B'

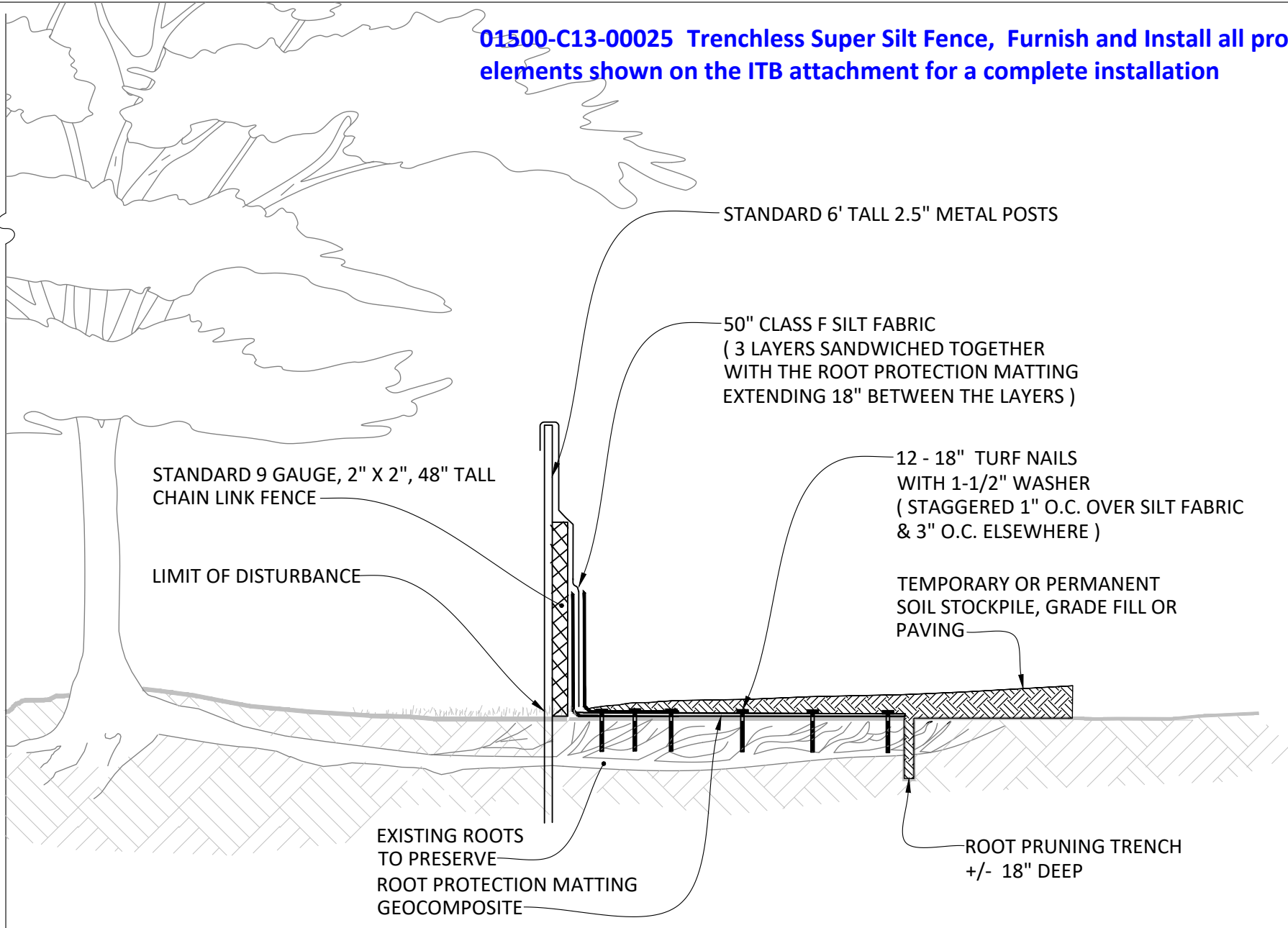
NOTES:

1. CONTRACTOR SHALL SEQUENCE CONSTRUCTION SUCH THAT EQUIPMENT WILL NOT IMPACT AREAS PRIOR TO PLACEMENT OF MULCH.
2. CONTRACTOR SHALL MAINTAIN WOOD CHIP MAT THROUGHOUT CONSTRUCTION.
3. CONTRACTOR SHALL LAY ALTURNAMATS OR APPROVED EQUAL OVER WOOD CHIP MAT TO PROVIDE GROUND COVER PROTECTION ALONG THE LENGTH OF THE CONSTRUCTION ENTRANCE TO PROVIDE IMPACT PROTECTION AND WEIGHT DISTRIBUTION.
4. WOOD CHIPS SHALL BE DISPOSED OF OFF-SITE UNLESS OTHERWISE APPROVED.
5. FILTER FABRIC SHALL BE A SINGLE PIECE ACROSS WIDTH. OVERLAP FABRIC BY 18" MIN. ALONG LENGTH OF ROUTE.

MULCH AND MAT CONSTRUCTION ENTRANCE

N.T.S.

01500-C13-00025 Trenchless Super Silt Fence, Furnish and Install all proposed elements shown on the ITB attachment for a complete installation



		<h2>TRENCHLESS SUPER SILT FENCE</h2>
REVISION	DATE	
	SCALE: NOT TO SCALE	