
	<b>Lancaster County School District</b>  <i>Invitation for Bid</i>	Solicitation Number	202312	 Trevor Hammond, NIGP-CPP, CPPB (803) 416-8828 <a href="mailto:procurement@lcsd.k12.sc.us">procurement@lcsd.k12.sc.us</a>
		Solicitation Issue Date	11/18/2022	
		Procurement Officer		
		Phone		
		E-Mail Address		

DESCRIPTION: *Custom Bally Walk-In Cooler & Freezer Units for Multiple School Locations*

*The Term "Offer" Means Your "Bid" or "Proposal".*

SUBMIT OFFER BY (Opening Date/Time): 12/15/2022 at 2:00 PM – EST

See "Deadline for Submission of Offer" provision

QUESTIONS MUST BE RECEIVED BY: 11/30/2022 at 2:00 PM - EST

See "Questions from Offerors" provision

NUMBER OF COPIES TO BE SUBMITTED: One (1) original

Offers must be submitted in a SEALED PACKAGE. Solicitation Number & Opening Date must appear on package exterior.

**SUBMIT YOUR OFFER TO THE FOLLOWING ADDRESS:**

<b>PHYSICAL &amp; MAILING ADDRESS:</b>  Lancaster County School District Attn: Melinda Adams 300 South Catawba Street Lancaster, SC 29720 <small>See "Submitting Your Offer" provision</small>
--

CONFERENCE TYPE: N/A DATE & TIME: LOCATION:  <small>(As appropriate, see "Conferences - Pre-Bid/Proposal" &amp; "Site Visit" provisions)</small>	
AWARD & AMENDMENTS	Notice of Intent to Award will be posted on or about 12/16/2022 at the physical address stated above and at the following web address: <a href="https://sites.google.com/lcsd.k12.sc.us/lcsd-procurement/solicitations-awards">https://sites.google.com/lcsd.k12.sc.us/lcsd-procurement/solicitations-awards</a> .
You must submit a signed copy of this form with your offer. By submitting a bid or proposal, you agree to be bound by the terms of the solicitation. You agree to hold your offer open for a minimum of sixty (60) calendar days after the opening date.	
NAME OF OFFEROR <small>(Full legal name of business submitting the offer)</small>	OFFEROR'S TYPE OF ENTITY: (Choose one) <input type="checkbox"/> Sole Proprietorship <input type="checkbox"/> Partnership <input type="checkbox"/> Corporate entity (not tax-exempt) <input type="checkbox"/> Tax exempt corporate entity <input type="checkbox"/> Government entity (federal, state, or local) <input type="checkbox"/> Other _____ <small>(See "Signing your Offer" provision)</small>
AUTHORIZED SIGNATURE  <small>(Person signing must be authorized to submit binding offer to enter contract on behalf of Offeror named above.)</small>	
TITLE <small>(Business title of person signing above)</small>	
PRINTED NAME <small>(Printed name of person signing above)</small>	
DATE SIGNED	
Instructions regarding Offeror's name: Any award issued will be issued to, and the contract will be formed with, the entity identified as the offeror above. An offer may be submitted by only one legal entity. The entity named as the offeror must be a single and distinct legal entity. Do not use the name of a branch office or a division of a larger entity if the branch or division is not a separate legal entity, <i>i.e.</i> , a separate corporation, partnership, sole proprietorship, etc.	
STATE OF INCORPORATION <small>(If offeror is a corporation, identify the State of Incorporation.)</small>	
TAXPAYER IDENTIFICATION NO. <small>(See "Taxpayer Identification Number" provision)</small>	

**PAGE TWO**

(Return Page Two with Your Offer)

HOME OFFICE ADDRESS (Address for offeror's home office / principal place of business)	NOTICE ADDRESS (Address to which all procurement and contract related notices should be sent.) (See "Notice" clause)
	Area Code - Number - Extension                      Facsimile
	E-mail Address

PAYMENT ADDRESS (Address to which payments will be sent.) (See "Payment" clause)	ORDER ADDRESS (Address to which purchase orders will be sent) (See "Purchase Orders and "Contract Documents" clauses)
___ Payment Address same as Home Office Address ___ Payment Address same as Notice Address (check only one)	___ Order Address same as Home Office Address ___ Order Address same as Notice Address (check only one)

**ACKNOWLEDGMENT OF AMENDMENTS**  
 Offeror acknowledges receipt of amendments by indicating amendment number and its date of issue. (See "Amendments to Solicitation" Provision)

Amendment No.	Amendment Issue Date	Amendment No.	Amendment Issue Date	Amendment No.	Amendment Issue Date	Amendment No.	Amendment Issue Date

DISCOUNT FOR PROMPT PAYMENT (See "Discount for Prompt Payment" clause)	10 Calendar Days (%)	20 Calendar Days (%)	30 Calendar Days (%)	___ Calendar Days (%)
---	----------------------	----------------------	----------------------	-----------------------

Minority Participation: Are you a SC Certified Minority Vendor: **Yes**  **No** ; If yes, SC Certification # \_\_\_\_\_  
 Are you a Non SC Certified Minority Vendor - **Yes**  **No**

**PREFERENCES - A NOTICE TO VENDORS:** On June 16, 2009, the South Carolina General Assembly rewrote the law governing preferences available to in-state vendors, vendors using in-state subcontractors, and vendors selling in-state or US end products. This law appears in Section 11-35-1524 of the South Carolina Code of Laws. A summary of the new preferences is available at [www.procurement.sc.gov/preferences](http://www.procurement.sc.gov/preferences). **ALL THE PREFERENCES MUST BE CLAIMED AND ARE APPLIED BY LINE ITEM, REGARDLESS OF WHETHER AWARD IS MADE BY ITEM OR LOT. VENDORS ARE CAUTIONED TO CAREFULLY REVIEW THE STATUTE BEFORE CLAIMING ANY PREFERENCES. THE REQUIREMENTS TO QUALIFY HAVE CHANGED. IF YOU REQUEST A PREFERENCE, YOU ARE CERTIFYING THAT YOUR OFFER QUALIFIES FOR THE PREFERENCE YOU'VE CLAIMED. IMPROPERLY REQUESTING A PREFERENCE CAN HAVE SERIOUS CONSEQUENCES.**

**PREFERENCES - ADDRESS AND PHONE OF IN-STATE OFFICE:** Please provide the address and phone number for your in-state office in the space provided below. An in-state office is necessary to claim either the Resident Vendor Preference (11-35-1524(C)(1)(i)&(ii)) or the Resident Contractor Preference (11-35-1524(C)(1)(iii)). Accordingly, you must provide this information to qualify for the preference. An in-state office is not required, but can be beneficial, if you are claiming the Resident Subcontractor Preference (11-35-1524(D)).

\_\_\_ In-State Office Address same as Home Office Address  
 \_\_\_ In-State Office Address same as Notice Address

# Solicitation Outline

- I. Scope of Solicitation
- II. Instructions to Offerors
  - A. General Instructions
  - B. Special Instructions
- III. Scope of Work/Specifications
- IV. Information for Offerors to Submit
- V. Qualifications
- VI. Award Criteria
- VII. Terms and Conditions
  - A. General
  - B. Special
- VIII. Bid Schedule
- IX. Attachments to Solicitation
- X. Minority Participation

## I. SCOPE OF SOLICITATION

The Lancaster County School District is seeking competitive sealed bids from qualified sources to supply and install custom Bally Walk-In cooler and freezer units with shelving for multiple school locations throughout the district.

**Acquire Services & Supplies/Equipment:** The purpose of this solicitation is to acquire services and supplies or equipment complying with the enclosed description and/or specifications and conditions.

## II. INSTRUCTIONS TO OFFERORS – A. GENERAL INSTRUCTIONS

### **DEFINITIONS, CAPITALIZATION, AND HEADINGS:**

Clause headings used in this solicitation are for convenience only and shall not be used to construe meaning or intent. Even if not capitalized, the following definitions are applicable to all parts of the solicitation, unless expressly provided otherwise.

1. **Amendment** – means a document issued to supplement the original solicitation document.
2. **Board** – means the Lancaster County School District Board of Trustees.
3. **Business** – means any corporation, partnership, individual, sole proprietorship, joint stock company, joint venture, or any other legal entity.
4. **Change Order** - means any written alteration in specifications, delivery point, rate of delivery, period of performance, price, quantity, or other provisions of any contract accomplished by mutual agreement of the parties to the contract.
5. **Contract** - See clause entitled "Contract Documents & Order of Precedence."
6. **Contract Modification** – means a written order signed by the procurement officer, directing the contractor to make changes which the clause of the contract titled "Changes", if included herein, authorizes the Procurement Officer to order without the consent of the contractor.
7. **Contractor** - means the offeror receiving an award as a result of this solicitation.
8. **Cover Page** – means the top page of the original solicitation on which the solicitation is identified by number. Offerors are cautioned that amendments may modify information provided on the cover page.
9. **District** – means Lancaster County School District (LCSD)
10. **Offer** – means the bid or proposal submitted in response to this solicitation. The terms "Bid" and "Proposal" are used interchangeably with the term "Offer."
11. **Offeror** – means the single legal entity submitting the offer. The term "Bidder" is used interchangeably with the term "Offeror." See bidding provisions entitled "Signing Your Offer" and "Bid/Proposal As Offer To Contract."
12. **Page Two** – means the second page of the original solicitation, which is labeled Page Two.

13. **Procurement Officer** – means the person, or his successor, identified as such on either the cover page, an amendment, or an award notice. Procurement Officer means the Chief Procurement Officer.
14. **Solicitation** – means this document, including all its parts, attachments, and any amendments.
15. **Subcontractor** – means any person you contract with to perform or provide any part of the work.
16. **Us (or) We** - means the Lancaster County School District
17. **Work** - means all labor, materials, equipment, services, or property of any type, provided or to be provided by the contractor to fulfill the contractor's obligations under the contract.
18. **You and Your** – means Offeror.

**Amendments to Solicitation:** (a) The solicitation may be amended at any time prior to opening. All actual and prospective offerors should monitor the following web site for the issuance of amendments: <https://sites.google.com/lcsd.k12.sc.us/lcsd-procurement/solicitations-awards>. (b) Offerors shall acknowledge receipt of any amendment to this solicitation (1) by signing and returning the amendment, (2) by identifying the amendment number and date in the space provided for this purpose on page two, (3) by letter, or (4) by submitting a bid that indicates in some way that the bidder received the amendment. (c) If this solicitation is amended, then all terms and conditions which are not modified remain unchanged.

Because this solicitation is posted electronically, the District may not be aware of all potential offerors, particularly those that attained a copy from this web site or other unknown sources. ***It is the bidder's responsibility to check this web site periodically to determine if any amendments have been issued. Any amendments issued by the District shall become a formal part of this solicitation.***

**Authorized Agent:** All authority regarding this procurement is vested solely with the responsible Procurement Officer. Unless specifically delegated in writing, the Procurement Officer is the only district official authorized to bind the district with regard to this procurement or the resulting contract.

**Award Notification:** Notice regarding any award, cancellation of award, or extension of award will be posted at the location and on the date specified on the cover page or, if applicable, any notice of extension of award. The date and location of posting will be announced at opening. Should the contract resulting from this solicitation have a potential value of one hundred thousand dollars or more, such notice will be sent to all offerors responding to the solicitation and any award will not be effective until the eleventh day after such notice is given.

**Bid/Proposal as Offer to Contract:** By submitting your bid or proposal, you are offering to enter into a contract with the district. Without further action by either party, a binding contract shall result upon final award. Any award issued will be issued to, and the contract will be formed with, the entity identified as the offeror on the cover page. An offer may be submitted by only one legal entity; "joint bids" are not allowed.

**Bid Acceptance Period:** In order to withdraw your offer after the minimum period specified on the cover page, you must notify the Procurement Officer in writing.

**Bid in English & Dollars:** Offers submitted in response to this solicitation shall be in the English language and in US dollars, unless otherwise permitted by the solicitation.

**Board as Procurement Agent:** The Procurement Officer is an employee of the district acting on behalf of the Lancaster County School District pursuant to the Lancaster County School District Procurement Code. Any contracts awarded as a result of this procurement are between the contractor and the district. The Board is not a party to such contracts, unless and to the extent that the Board is a using district department, and bears no liability for any party's losses arising out of or relating in any way to the contract.

**Certificate of Independent Price Determination:**

GIVING FALSE, MISLEADING, OR INCOMPLETE INFORMATION ON THIS CERTIFICATION MAY RENDER YOU SUBJECT TO PROSECUTION UNDER SECTION 16-9-10 OF THE SOUTH CAROLINA CODE OF LAWS AND OTHER APPLICABLE LAWS.

(a) By submitting an offer, the offeror certifies that—

(1) The prices in this offer have been arrived at independently, without, for the purpose of restricting competition, any consultation, communication, or agreement with any other offeror or competitor relating to—

(i) Those prices;

(ii) The intention to submit an offer; or

(iii) The methods or factors used to calculate the prices offered.

(2) The prices in this offer have not been and will not be knowingly disclosed by the offeror, directly or indirectly, to any other offeror or competitor before bid opening (in the case of a sealed bid solicitation) or contract award (in the case of a negotiated solicitation) unless otherwise required by law; and

(3) No attempt has been made or will be made by the offeror to induce any other concern to submit or not to submit an offer for the purpose of restricting competition.

(b) Each signature on the offer is considered to be a certification by the signatory that the signatory—

(1) Is the person in the offeror's organization responsible for determining the prices being offered in this bid or proposal, and that the signatory has not participated and will not participate in any action contrary to paragraphs (a)(1) through (a)(3) of this certification; or

(2)(i) Has been authorized, in writing, to act as agent for the offeror's principals in certifying that those principals have not participated, and will not participate in any action contrary to paragraphs (a)(1) through (a)(3) of this certification [As used in this subdivision (b)(2)(i), the term "principals" means the person(s) in the offeror's organization responsible for determining the prices offered in this bid or proposal];

(ii) As an authorized agent, does certify that the principals referenced in subdivision (b)(2)(i) of this certification have not participated, and will not participate, in any action contrary to paragraphs (a)(1) through (a)(3) of this certification; and

(iii) As an agent, has not personally participated, and will not participate, in any action contrary to paragraphs (a)(1) through (a)(3) of this certification.

(c) If the offeror deletes or modifies paragraph (a)(2) of this certification, the offeror must furnish with its offer a signed statement setting forth in detail the circumstances of the disclosure.

**Certification Regarding Debarment and Other Responsibility Matters:**

(a)(1) By submitting an offer, offeror certifies, to the best of its knowledge and belief, that-

(i) Offeror and/or any of its Principals-

(A) Are not presently debarred, suspended, proposed for debarment, or declared ineligible for the award of contracts by any state or federal agency;

(B) Have not, within a three-year period preceding this offer, been convicted of or had a civil judgment rendered against them for: commission of fraud or a criminal offense in connection with obtaining, attempting to obtain, or performing a public (federal, state, or local) contract or subcontract; violation of federal or state antitrust statutes relating to the submission of offers; or commission of embezzlement, theft, forgery, bribery, falsification or destruction of records, making false statements, tax evasion, or receiving stolen property; and

(C) Are not presently indicted for, or otherwise criminally or civilly charged by a governmental entity with, commission of any of the offenses enumerated in paragraph (a)(1)(i)(B) of this provision.

(ii) Offeror has not, within a three-year period preceding this offer, had one or more contracts terminated for default by any public (federal, state, or local) entity.

(2) "Principals," for the purposes of this certification, means officers; directors; owners; partners; and, persons having primary management or supervisory responsibilities within a business entity (e.g., general manager; plant manager; head of a subsidiary, division, or business segment, and similar positions).

(b) Offeror shall provide immediate written notice to the Procurement Officer if, at any time prior to contract award, offeror learns that its certification was erroneous when submitted or has become erroneous by reason of changed circumstances.

(c) If offeror is unable to certify the representations stated in paragraphs (a)(1), Offeror must submit a written explanation regarding its inability to make the certification. The certification will be considered in connection with a review of the offeror's

responsibility. Failure of the offeror to furnish additional information as requested by the Procurement Officer may render the offeror non-responsible.

(d) Nothing contained in the foregoing shall be construed to require establishment of a system of records in order to render, in good faith, the certification required by paragraph (a) of this provision. The knowledge and information of an offeror is not required to exceed that which is normally possessed by a prudent person in the ordinary course of business dealings.

(e) The certification in paragraph (a) of this provision is a material representation of fact upon which reliance was placed when making award. If it is later determined that the offeror knowingly or in bad faith rendered an erroneous certification, in addition to other remedies available to the district, the Procurement Officer may terminate the contract resulting from this solicitation for default.

**Code of Laws Available:** The South Carolina Code of Laws, including the Consolidated Procurement Code, is available at <http://www.scstatehouse.gov/code/statmast.php>. The South Carolina Regulations are available at: <http://www.scstatehouse.gov/coderegs/statmast.php>.

**Deadline for Submission of Offer:** Any offer received after the Procurement Officer of the district or his designee has declared that the time set for opening has arrived, shall be rejected unless the offer has been delivered to the designated purchasing office prior to the bid opening.

**Disclosure of Conflicts of Interest or Unfair Competitive Advantage:** You warrant and represent that your offer identifies and explains any unfair competitive advantage you may have in competing for the proposed contract and any actual or potential conflicts of interest that may arise from your participation in this competition or your receipt of an award. The two underlying principles are (a) preventing the existence of conflicting roles that might bias a contractor's judgment, and (b) preventing an unfair competitive advantage. If you have an unfair competitive advantage or a conflict of interest, the district may withhold award. Before withholding award on these grounds, an offeror will be notified of the concerns and provided a reasonable opportunity to respond. Efforts to avoid or mitigate such concerns, including restrictions on future activities, may be considered. Without limiting the foregoing, you represent that your offer identifies any services that relate to either this solicitation or the work and that has already been performed by you, a proposed subcontractor, or an affiliated business of either.

**Disclosure Of Your Bid / Proposal & Submitting Confidential Data:**

(a) According to Section 11-35-410, any person submitting a document in response or with regard to any solicitation or other request must "comply with instructions provided in the solicitation for marking information exempt from public disclosure. Information not marked as required by the applicable instructions may be disclosed to the public." IF YOU IDENTIFY YOUR ENTIRE RESPONSE AS EXEMPT FROM PUBLIC DISCLOSURE, OR IF YOU DO NOT SUBMIT A REDACTED COPY AS REQUIRED, THE DISTRICT MAY, IN ITS SOLE DISCRETION, DETERMINE YOUR BID OR PROPOSAL NONRESPONSIVE AND INELIGIBLE FOR AWARD.

(b) By submitting a response to this solicitation or request, Offeror agrees to the public disclosure of every page, or portion thereof, of every document regarding this solicitation or request that was submitted at any time prior to entering into a contract (including, but not limited to, documents contained in a response, documents submitted to clarify a response, and documents submitted during negotiations), unless the page, or portion thereof, was redacted and conspicuously marked "Trade Secret" or "Confidential" or "Protected", (2) agrees that any information not redacted and marked, as required by these bidding instructions, as a "Trade Secret" is not a trade secret as defined by the Trade Secrets Act, and (3) agrees that, notwithstanding any claims or markings otherwise, any prices, commissions, discounts, or other financial figures used to determine the award, as well as the final contract amount, are subject to public disclosure.

(c) If your offer includes any information that you claim is exempt from public disclosure, you must submit one complete copy of your offer from which you have removed or concealed such information (the redacted copy). Except for the information removed or concealed, the redacted copy must be identical to your original offer.

(d) Do not mark your entire response (bid, proposal, quote, etc.) as confidential, trade secret, or protected. If only portions of a page are subject to some protection, do not redact the entire page. The redacted copy must reflect the same pagination as the original and show the empty space from which information was redacted. The Procurement Officer must be able to

view, search, copy and print the redacted copy without a password. If your response, or any part thereof, is improperly marked as confidential or trade secret or protected, the District may, in its sole discretion, determine it nonresponsive.

(e) On the redacted copy, you must identify the basis of your claim by marking each redaction as follows: You must separately mark with the word "CONFIDENTIAL" every page, or portion thereof, that you redacted and claim as exempt from public disclosure because it is either (1) a trade secret as defined in Section 30-4-40(a)(1) of the Freedom of Information Act, or (2) privileged and confidential, as that phrase is used in Section 11-35-410. You must separately mark with the words "TRADE SECRET" every page, or portion thereof, that you redacted and claim as exempt from public disclosure as a trade secret pursuant to Section 39-8-20 of the Trade Secrets Act. You must separately mark with the word "PROTECTED" every page, or portion thereof, that you redacted and claim as exempt from public disclosure pursuant to Section 11-35- 1810. All markings must be conspicuous; use color, bold, underlining, or some other method in order to conspicuously distinguish the mark from the other text.

(f) In determining whether to release documents, the District will detrimentally rely on your redaction and marking of documents, as required by these bidding instructions, as being either "Confidential" or "Trade Secret" or "Protected". By submitting a response, you agree to defend, indemnify and hold harmless the Lancaster County School District, its agencies, officers and employees, from every claim, demand, loss, expense, cost, damage or injury, including attorney's fees, arising out of or resulting from withholding information by the Lancaster County School District or any of its agencies, that you have redacted or marked as "Confidential" or "Trade Secret" or "Protected". (All references to S.C. Code of Laws.)

**District Office Closings:** If an emergency or unanticipated event interrupts normal district processes so that offers cannot be received at the district office designated for receipt of bids by the exact time specified in the solicitation, the time specified for receipt of offers will be deemed to be extended to the same time of day specified in the solicitation on the first work day on which normal district processes resume. In lieu of an automatic extension, an amendment may be issued to reschedule bid opening. If district offices are closed at the time a pre-bid or pre-proposal conference is scheduled, an amendment will be issued to reschedule the conference.

**Drug Free Work Place Certification:** By submitting an offer, contractor certifies that, if awarded a contract, contractor will comply with all applicable provisions of The Drug-free Workplace Act, Title 44, Chapter 107 of the South Carolina Code of Laws, as amended.

**Duty to Inquire:** Offeror, by submitting an offer, represents that it has read and understands the solicitation and that its offer is made in compliance with the solicitation. Offerors are expected to examine the solicitation thoroughly and should request an explanation of any ambiguities, discrepancies, errors, omissions, or conflicting statements in the solicitation. Failure to do so will be at the offeror's risk. All ambiguities, discrepancies, errors, omissions, or conflicting statements in the Solicitation shall be interpreted to require the better quality or greater quantity of work and/or materials, unless otherwise directed by amendment. Offeror assumes responsibility for any patent ambiguity in the solicitation that offeror does not bring to the District's attention. See clause entitled "Questions from Offerors".

**Ethics Certificate:** By submitting an offer, the offeror certifies that the offeror has and will comply with, and has not, and will not, induce a person to violate Title 8, Chapter 13 of the South Carolina Code of Laws, as amended (ethics act). The following statutes require special attention: Section 8-13-700, regarding use of official position for financial gain; Section 8-13-705, regarding gifts to influence action of public official; Section 8-13-720, regarding offering money for advice or assistance of public official; Sections 8-13-755 and 8-13-760, regarding restrictions on employment by former public official; Section 8-13-775, prohibiting public official with economic interests from acting on contracts; Section 8-13-790, regarding recovery of kickbacks; Section 8-13-1150, regarding statements to be filed by consultants; and Section 8-13-1342, regarding restrictions on contributions by contractor to candidate who participated in awarding of contract. The district may rescind any contract and recover all amounts expended as a result of any action taken in violation of this provision. If contractor participates, directly or indirectly, in the evaluation or award of public contracts, including without limitation, change orders or task orders regarding a public contract, contractor shall, if required by law to file such a statement, provide the statement required by Section 8-13-1150 to the procurement officer at the same time the law requires the statement to be filed.

**Omit Taxes from Price:** Do not include any sales or use taxes in your price that the District may be required to pay.

**Open Trade Representation:** By submitting an Offer, Offeror represents that Offeror is not currently engaged in the boycott of a person or an entity based in or doing business with a jurisdiction with whom South Carolina can enjoy open trade, as defined in SC Code Section 11-35-5300.

**Prohibited Communications and Donations:** Violation of these restrictions may result in disqualification of your offer, suspension or debarment, and may constitute a violation of law.

- (a) During the period between publication of the solicitation and final award, ***you must not communicate, directly or indirectly, with the District or its employees, agents, or officials regarding any aspect of this procurement activity, unless otherwise approved in writing by the Procurement Officer.*** All communications must be solely with the Procurement Officer.
- (b) You are advised to familiarize yourself with Regulation 19-445.2165, which restricts donations to a governmental entity with whom you have or seek to have a contract. ***You represent that your offer discloses any gifts made, directly or through an intermediary, by you or your named subcontractors to or for the benefit of the District during the period beginning eighteen months prior to the Opening Date.***

**Protests:** If you are aggrieved in connection with the solicitation or award of the contract, you may be entitled to protest, but only as provided in Section 11-35-4210. To protest a solicitation, you must submit a protest within fifteen days of the date the applicable solicitation document is issued. To protest an award, you must (i) submit notice of your intent to protest within seven business days of the date the award notice is posted, and (ii) submit your actual protest within fifteen days of the date the award notice is posted. Days are calculated as provided in Section 11-35-310(13). Both protests and notices of intent to protest must be in writing and must be received by the appropriate Chief Procurement Officer within the time provided. See clause entitled "Protest- Procurement Department Address". The grounds of the protest and the relief requested must be set forth with enough particularity to give notice of the issues to be decided.

**Public Opening:** Offers will be publicly opened at the date/time and at the location identified on the cover page, or last amendment, whichever is applicable.

**Questions From Offerors:**

- (a) Any prospective offeror desiring an explanation or interpretation of the solicitation, drawings, specifications, etc., must request it in writing. Questions regarding the original solicitation or any amendment must be received by the Procurement Officer no later than fifteen (15) days prior to opening unless an earlier date is stated on the Cover Page. Label any communication regarding your questions with the name of the procurement officer, and the solicitation's title and number. Oral explanations or instructions will not be binding. [See R. 19-445.2042(B)] Any information given a prospective offeror concerning a solicitation will be furnished promptly to all other prospective offerors as an Amendment to the solicitation, if that information is necessary for submitting offers or if the lack of it would be prejudicial to other prospective offerors. See clause entitled "Duty to Inquire." We will not identify you in our answer to your question. (b) The District seeks to permit maximum practicable competition. Offerors are urged to advise the Procurement Officer -- as soon as possible -- regarding any aspect of this procurement, including any aspect of the Solicitation that unnecessarily or inappropriately limits full and open competition.

**Rejection/Cancellation:** The district may cancel this solicitation in whole or in part. The district may reject any or all bids in whole or in part (Article 5-1710 of the Lancaster County School District's procurement code).

**Responsiveness/ Improper Offers:**

- (a) Bid as Specified. Offers for supplies or services other than those specified will not be considered unless authorized by the Solicitation.
- (b) Multiple Offers. Offerors may submit more than one Offer, provided that each Offer has significant differences other than price. Each separate Offer must satisfy all Solicitation requirements. If this solicitation is an Invitation for Bids, each separate offer must be submitted as a separate document. If this solicitation is a Request for Proposals, multiple



offers may be submitted as one document, provided that you clearly differentiate between each offer and you submit a separate cost proposal for each offer, if applicable

- (c) Responsiveness. Any Offer which fails to conform to the material requirements of the Solicitation may be rejected as nonresponsive. Offers which impose conditions that modify material requirements of the Solicitation may be rejected. If a fixed price is required, an Offer will be rejected if the total possible cost to the District cannot be determined. Offerors will not be given an opportunity to correct any material nonconformity. Any deficiency resulting from a minor informality may be cured or waived at the sole discretion of the Procurement Officer. [R.19-445.2070 and Section 11-35-1520(13)]
- (d) Price Reasonableness: Any offer may be rejected if the Procurement Officer determines in writing that it is unreasonable as to price. [R. 19-445.2070].
- (e) Unbalanced Bidding. The District may reject an Offer as nonresponsive if the prices bid are materially unbalanced between line items or subline items. A bid is materially unbalanced when it is based on prices significantly less than cost for some work and prices which are significantly overstated in relation to cost for other work, and if there is a reasonable doubt that the bid will result in the lowest overall cost to the District even though it may be the low evaluated bid, or if it is so unbalanced as to be tantamount to allowing an advance payment.
- (f) Do not submit bid samples or descriptive literature unless expressly requested. Unsolicited bid samples or descriptive literature will not be examined or tested, will not be used to determine responsiveness, and will not be deemed to vary any of the provisions of the solicitation. S.C. Code Ann. Reg. 19-445.2077(D).

**Signing Your Offer:** Every offer must be signed by an individual with actual authority to bind the offeror. (a) If the offeror is an individual, the offer must be signed by that individual. If the offeror is an individual doing business as a firm, the offer must be submitted in the firm name, signed by the individual, and state that the individual is doing business as a firm. (b) If the offeror is a partnership, the offer must be submitted in the partnership name, followed by the words "by its Partner," and signed by a general partner. (c) If the offeror is a corporation, the offer must be submitted in the corporate name, followed by the signature and title of the person authorized to sign. (d) An offer may be submitted by a joint venturer involving any combination of individuals, partnerships, or corporations. If the offeror is a joint venture, the offer must be submitted in the name of the joint venture and signed by every participant in the joint venture in the manner prescribed in paragraphs (a) through (c) above for each type of participant. (e) If an offer is signed by an agent, other than as stated in subparagraphs (a) through (d) above, the offer must state that it has been signed by an agent. Upon request, offeror must provide proof of the agent's authorization to bind the principal.

**Submitting Your Offer or Modification:** (a) All prices and notations should be printed in ink or typewritten. Errors should be crossed out, corrections entered and initialed by the person signing the bid. Do not modify the solicitation document itself (including bid schedule). (b) (1) All copies of the offer or modification, and any other documents required to be submitted with the offer shall be enclosed in a sealed, opaque envelope or package. (2) Submit your offer or modification to the address on the Cover Page. (3) The envelope or package must show the time and date specified for opening, the solicitation number, and the name and address of the bidder. If the offer or modification is sent by mail or special delivery service (UPS, Federal Express, etc.), the outermost envelope or wrapper must be labeled "OFFER ENCLOSED" on the face thereof. (c) If you are responding to more than one solicitation, submit each offer in a separate envelope or package. (d) Submit the number of copies indicated on the Cover Page. (e) Facsimile or e-mail offers, modifications, or withdrawals, will not be considered unless authorized by the Solicitation.

**Tax Credit For Subcontracting With Disadvantaged Small Businesses:** Pursuant to Section 12-6-3350, a taxpayer having a contract with this District who subcontracts with a socially and economically disadvantaged small business is eligible for an income tax credit equal to four percent of the payments to that subcontractor for work pursuant to the contract. The subcontractor must be certified as a socially and economically disadvantaged small business as defined in Section 11-35-5010 and regulations pursuant to it. The credit is limited to a maximum of fifty thousand dollars annually. A taxpayer is eligible to claim the credit for ten consecutive taxable years beginning with the taxable year in which the first payment is made to the subcontractor that qualifies for the credit. After the above ten consecutive taxable years, the taxpayer is no longer eligible for the credit. A taxpayer claiming the credit shall maintain evidence of work performed for the contract by the subcontractor. The

credit may be claimed on Form TC-2, "Minority Business Credit." A copy of the subcontractor's certificate from the Governor's Office of Small and Minority Business (OSMBA) is to be attached to the contractor's income tax return.

Questions regarding the tax credit and how to file are to be referred to: SC Department of Revenue, Research and Review, Phone: (803) 898-5786, Fax: (803) 898-5888. Questions regarding subcontractor certification are to be referred to: Governor's Office of Small and Minority Business Assistance, Phone: (803) 734-0657, Fax: (803) 734-2498.

**Withdrawal or Correction of Offer:** Offers may be withdrawn by written notice received at any time before the exact time set for opening. If the solicitation authorizes facsimile offers, offers may be withdrawn via facsimile received at any time before the exact time set for opening. A bid may be withdrawn in person by a bidder or its authorized representative if, before the exact time set for opening, the identity of the person requesting withdrawal is established and the person signs a receipt for the bid. The withdrawal and correction of offers is governed by Article 5-1520 of the Lancaster County School District's procurement code.

## II. INSTRUCTIONS TO OFFERORS – B. SPECIAL INSTRUCTIONS

**Descriptive Literature - Labeling:** Include offeror's name on the cover of any specifications or descriptive literature submitted with your offer.

**Preferences - A Notice to Vendors:** On June 16, 2009, the South Carolina General Assembly rewrote the law governing preferences available to in-state vendors, vendors using in-state subcontractors, and vendors selling in-state or US end products. This law appears in Section 11-35-1524 of the South Carolina Code of Laws. A summary of the new preferences is available at [www.procurement.sc.gov/preferences](http://www.procurement.sc.gov/preferences). **ALL THE PREFERENCES MUST BE CLAIMED AND ARE APPLIED BY LINE ITEM, REGARDLESS OF WHETHER AWARD IS MADE BY ITEM OR LOT. VENDORS ARE CAUTIONED TO CAREFULLY REVIEW THE STATUTE BEFORE CLAIMING ANY PREFERENCES. THE REQUIREMENTS TO QUALIFY HAVE CHANGED. IF YOU REQUEST A PREFERENCE, YOU ARE CERTIFYING THAT YOUR OFFER QUALIFIES FOR THE PREFERENCE YOU'VE CLAIMED. IMPROPERLY REQUESTING A PREFERENCE CAN HAVE SERIOUS CONSEQUENCES.**

**Preferences - SC/US End-Product:** Section 11-35-1524 provides a preference to vendors offering South Carolina end-products or US end-products, if those products are made, manufactured, or grown in SC or the US, respectively. An end-product is the tangible project identified for acquisition in this solicitation, including all component parts in final form and ready for the use intended. The terms "made," "manufactured," and "grown" are defined by Section 11-35-1524(A). By signing your offer and checking the appropriate space(s) provided and identified on the bid schedule, you certify that the end-product(s) is either made, manufactured or grown in South Carolina, or other states of the United States, as applicable. Preference will be applied as required by law. Post award substitutions are prohibited. See "Substitutions Prohibited - End Product Preferences (Sep 2009)" provision.

**Preferences - Resident Contractor Preference:** To qualify for the RCP, you must maintain an office in this state. An office is a nonmobile place for the regular transaction of business or performance of a particular service which has been operated as such by the bidder for at least one year before the bid opening and during that year the place has been staffed for at least fifty weeks by at least two employees for at least thirty five hours a week each. In addition, you must, at the time you submit your bid, directly employ, or have a documented commitment with, individuals domiciled in South Carolina that will perform services expressly required by the solicitation and your total direct labor cost for those individuals to provide those services must exceed fifty percent of your total bid price. [11-35-1524(C)(1)(iii)] Upon request by the procurement officer, you must identify the persons domiciled in South Carolina that will perform the services involved in the procurement upon which you rely in qualifying for the preference, the services those individuals are to perform, and documentation of the your labor cost for each person identified. If requested, your failure to provide this information promptly will be grounds to deny the preference (and, potentially, for other enforcement action).

**Preferences - Resident Subcontractor Preference:** To qualify for this preference, you must meet the following requirements. (1) You must -- at the time you submit your bid -- have a documented commitment from a single proposed first tier subcontractor to perform some portion of the services expressly required by the solicitation. (2) The subcontractor -- at the time you submit your bid -- must directly employ, or have a documented commitment with, individuals domiciled in South Carolina that will perform services expressly required by the solicitation and the total direct labor cost to the subcontractor for those individuals to provide those services exceeds, as applicable, either twenty percent for a 2% preference or forty percent of bidder's total bid price for a 4% preference. (3) You must identify the subcontractor that will perform the work, the work the subcontractor is to perform, and your factual basis for concluding that the subcontractor's work constitutes the required percentage of the work to be performed in the procurement. [11-35-1524(D)] You can stack this preference, i.e., earn another 2% or 4% preference for each additional qualifying subcontractor, but the preference is capped. [11-35-1524(D)(4), (E)(7)] Upon request by the procurement officer, you must identify the persons domiciled in South Carolina that are to perform the services involved in the procurement upon which you rely in qualifying for the preference, the services those individuals are to perform, the employer of those persons, your relationship with the employer, and documentation of the subcontractor's labor cost for each person identified. If requested, your failure to provide this information promptly will be grounds to deny the preference (and, potentially, for other enforcement action). YOU WILL NOT RECEIVE THE PREFERENCE UNLESS YOU SPECIFY WHETHER YOUR ARE CLAIMING THE 2% OR 4% PREFERENCE AND YOU PROVIDE THE INFORMATION REQUIRED BY ITEM (3) ABOVE

**Preferences - Resident Vendor Preference:** To qualify for the RVP, you must maintain an office in this state. An office is a non-mobile place for the regular transaction of business or performance of a particular service which has been operated as such by the bidder for at least one year before the bid opening and during that year the place has been staffed for at least fifty weeks by at least two employees for at least thirty five hours a week each. In addition, you must either: (1) maintain at a location in South Carolina at the time of the bid an inventory of expendable items which are representative of the general type of commodities for which the award will be made and which have a minimum total value, based on the bid price, equal to the lesser of fifty thousand dollars [\$50,000] or the annual amount of the contract; or (2) be a manufacturer headquartered and having an annual payroll of at least one million dollars in South Carolina and the end product being sold is either made or processed from raw materials into a finished end product by that manufacturer or its affiliate (as defined in Section 1563 of the Internal Revenue Code).

**Protest – Procurement Department Address:** Any protest must be addressed to the Chief Procurement Officer, Lancaster County School District, and submitted in writing (a) by email to [trevor.hammond@lcsd.k12.sc.us](mailto:trevor.hammond@lcsd.k12.sc.us), (b) by facsimile at 803-283-0563, or (c) by post or delivery to 300 South Catawba Street, Lancaster, SC 29720.

**Site Visit - By Appointment:** Appointment for a site visit may be made by contacting Angela McCrorey by email at [Angela.McCrorey@lcsd.k12.sc.us](mailto:Angela.McCrorey@lcsd.k12.sc.us).

**Unit Prices Required:** Unit price to be shown for each item.

### III. SCOPE OF WORK / SPECIFICATIONS

**Objective:** The Lancaster County School District is seeking competitive sealed bids from qualified sources to furnish, deliver and install custom Bally Walk-In Cooler and Freezer units with shelving for multiple school locations per the enclosed drawings, specifications, and all other requirements of this solicitation. Bally is the only approved brand for the walk-in coolers and freezers. Metro is the only approved brand for the shelving. No alternates will be accepted. Contractor shall be required to install all components with all accessories and options. **A site visit is recommended.** Appointment for a site visit may be made by contacting Angela McCrorey by email at [Angela.McCrorey@lcsd.k12.sc.us](mailto:Angela.McCrorey@lcsd.k12.sc.us).

The Lancaster County School District shall assume no liability or responsibility for work until after delivery is complete in all respects and accepted by the district. The contractor shall be completely responsible for all terms and conditions in this contract until the above conditions are met.

## Minimum Specifications:

### Buford Middle School:

#### 1. Bally Outdoor 2 Compartment Walk-In Cooler/Freezer Unit – Quantity 1

- See Attachments A-1 for specifications & A-2 for drawings
- Bidder should include the optional warranties as listed in Attachment A-1 for Bally Cooler/ Freezer in unit pricing

#### Metro Shelving Units

##### Cooler:

- a) Model PR2442NK3, 42" W x 24" D, Quantity: 4
- b) Model PR2448NK3, Super Erecta Pro™ Shelf, 48" W x 24" D, Quantity: 4
- c) Model PR2454NK3, Super Erecta Pro™ Shelf, 54"W x 24"D, Quantity: 4
- d) Model 74PK3 Super Erecta® SiteSelect™ Post, 74-1/2"H, Quantity: 12
- e) Model HP2236PD Metro Bow-Tie™ Dunnage Rack, 22" x 36" x 12"H, Quantity: 1

##### Freezer:

- a) Model PR2460NK3, 60" W x 24" D, Quantity: 16
- b) Model PR2454NK3 Super Erecta Pro™ Shelf, 54"W x 24"D, Quantity: 8
- c) Model 74PK3 Super Erecta® SiteSelect™ Post, 74-1/2"H, Quantity: 24
- d) Model HP2236PD Metro Bow-Tie™ Dunnage Rack, 22" x 36" x 12" H, Quantity: 1

- See Attachments A-3 for shelving specifications & A-4 for layouts

### Clinton Elementary School:

#### 2. Bally Indoor Single Compartment Walk-In Freezer Unit – Quantity 1:

- See Attachments B-1 for specifications & B-2 for drawings
- Bidder should include the optional warranties as listed in Attachment B-1 for Bally Freezer in unit pricing

#### Metro Shelving Units

##### Freezer:

- a) Metro Model PR1842NK3, Super Erecta Pro™ Shelf, 42"W x 18"D, Quantity: 16
- b) Model 74PK3 Super Erecta® SiteSelect™ Post, 74-1/2"H, Quantity: 16
- c) HP2236PD Metro Bow-Tie™ Dunnage Rack, 22" x 36" x 12"H, Quantity: 1

- See Attachments B-3 for shelving specifications & B-4 for layouts

## Erwin Elementary School:

### 3. Bally Outdoor 2 Compartment Walk-In Cooler/Freezer Unit – Quantity 1

- See Attachments C-1 for specifications & C-2 for drawings
- Bidder should include the optional warranties and optional accessory “Locking Bar with Tamperproof Screws” as listed in Attachment C-1 for Bally Cooler/ Freezer in unit pricing

#### Metro Shelving Units

##### Cooler:

- a) Metro Model PR2442NK3, 42"W x 24" D, Quantity: 24
- b) Model 74PK3 Super Erecta® SiteSelect™ Post, 74-1/2"H, Quantity: 24
- c) Model HP2248PD Metro Bow-Tie™ Dunnage Rack, 22" x 48" x 12"H, Quantity: 1

##### Freezer:

- a) Model PR2442NK3 Super Erecta Pro™ Shelf, 42"W x 24"D, 42"W x 24" D, Quantity: 16
- b) Model PR2460NK3 Super Erecta Pro™ Shelf, 60"W x 24"D, Quantity: 12
- c) Model PR2454NK3 Super Erecta Pro™ Shelf, 54"W x 24"D, Quantity: 4
- d) Model 74PK3 Super Erecta® SiteSelect™ Post, 74-1/2"H, Quantity: 32
- e) Model HP2260PD Metro Bow-Tie™ Dunnage Rack, 22" x 60" x 12"H, Quantity: 1

- See Attachments C-3 for shelving specifications & C-4 for layouts

## McDonald Green Elementary School:

### 4. Bally Indoor 2 Compartment Walk-In Cooler/Freezer Unit – Quantity 1

- See Attachment D-1 for specifications & D-2 for drawings
- Bidder should include the optional warranties as listed in Attachment D-1 for Bally Cooler/ Freezer in unit pricing

#### Metro Shelving Units

##### Cooler:

- a) Metro Model PR2460NK3 Super Erecta Pro™ Shelf, 60"W x 24"D, Quantity: 8
- b) Model PR2448NK3 Super Erecta Pro™ Shelf, 48"W x 24"D, Quantity: 8
- c) Model 74PK3 Super Erecta® SiteSelect™ Post, 74-1/2"H, Quantity: 16
- d) Model HP2236PD Metro Bow-Tie™ Dunnage Rack, 22" x 36" x 12"H, Quantity: 1

##### Freezer:

- a) Metro Model PR2460NK3 Super Erecta Pro™ Shelf, 60"W x 24"D, Quantity: 8
- b) Model PR2448NK3 Super Erecta Pro™ Shelf, 48"W x 24"D, Quantity: 8
- c) Model 74PK3 Super Erecta® SiteSelect™ Post, 74-1/2"H, Quantity: 16
- d) Model HP2236PD Metro Bow-Tie™ Dunnage Rack, 22" x 36" x 12"H, Quantity: 1

- See Attachments D-3 for shelving specifications & D-4 for layouts

## South Middle School:

### 5. Bally Indoor 2 Compartment Walk-In Cooler/Freezer Unit – Quantity 1

- See Attachments E-1 for specifications & E-2 for drawings
- Bidder should include the optional warranties as listed in Attachment E-1 for Bally Cooler/ Freezer in unit pricing

#### Metro Shelving Units

##### Cooler:

- a) Metro Model PR2448NK3 Super Erecta Pro™ Shelf, 48"W x 24"D, Quantity: 4
- b) Model PR2460NK3 Super Erecta Pro™ Shelf, 60"W x 24"D, Quantity: 8
- c) Model PR2442NK3 Super Erecta Pro™ Shelf, 42"W x 24"D, Quantity: 12
- d) Model 74PK3 Super Erecta® SiteSelect™ Post, 74-1/2"H, Quantity: 24
- e) Model HP2236PD Metro Bow-Tie™ Dunnage Rack, 22" x 36" x 12"H, Quantity: 1

##### Freezer:

- a) Metro Model PR2448NK3 Super Erecta Pro™ Shelf, 48"W x 24"D, Quantity: 4
- b) Model PR2460NK3 Super Erecta Pro™ Shelf, 60"W x 24"D, Quantity: 8
- c) Model PR2442NK3 Super Erecta Pro™ Shelf, 42"W x 24"D, Quantity: 12
- d) Model 74PK3 Super Erecta® SiteSelect™ Post, 74-1/2"H, Quantity: 24
- e) Model HP2236PD Metro Bow-Tie™ Dunnage Rack, 22" x 36" x 12"H, Quantity: 1

- See Attachments E-3 for shelving specifications & E-4 for layouts

### 6. Bally Indoor Single Compartment Walk-In Cooler Unit – Quantity 1

- See Attachments E-5 for specifications & E-6 for drawings
- Bidder should include the optional warranties as listed in Attachment E-5 for Bally Cooler/ Freezer in unit pricing

#### Metro Shelving Units

##### Cooler:

- a) Metro Model PR1860NK3, Super Erecta Pro™ Shelf, 60"W x 18"D, Quantity: 8
- b) Model PR1848NK3 Super Erecta Pro™ Shelf, 48"W x 18"D, Quantity: 8
- c) Model 74PK3 Super Erecta® SiteSelect™ Post, 74-1/2"H, Quantity: 16
- d) Model HP2236PD Metro Bow-Tie™ Dunnage Rack, 22" x 36" x 12"H, Quantity: 1

- See Attachments E-7 for shelving specifications & E-8 for layouts

Delivery/Performance Location – Purchase Order: After award, all deliveries shall be made and all services provided to the location specified by the district's purchase order.

#### Delivery locations:

- Buford Middle School, 1890 N. Rocky River Road, Lancaster, SC 29720
- Clinton Elementary School, 110 Clinton School Road, Lancaster, SC 29720
- Erwin Elementary School, 1477 Locustwood Ave, Lancaster, SC 29720
- McDonald Green Elementary, 2763 Lynwood Drive, Lancaster, SC 29720
- South Middle School, 1551 Billings Drive, Lancaster, SC 29720

### Contractor Requirements:

1. Cooler and Freezer units must be custom built and all components must be new. Remanufactured or refurbished items will **NOT** be accepted.
2. Contracted vendor must be an authorized reseller of Bally and Metro equipment.
3. Work and materials shall be in accordance with requirements of applicable codes, ordinances and regulations, including but not limited to those of Occupational Safety and Health Act (OSHA), National Fire Protection Association, State Fire Marshal, State Accident Commission, U.S. Public Health Service, State Board of Health, local health codes, etc. No extra charge will be paid for furnishing items required by regulations, even though such may not be shown on drawings or called for in these specifications.
4. Contractor must contact Food Services Director, Angela McCrorey at [Angela.McCrorey@lcsd.k12.sc.us](mailto:Angela.McCrorey@lcsd.k12.sc.us) to schedule delivery and installation. The district anticipates purchase order(s) will be issued on or around 1/3/2023. All deliveries shall be made between the hours of 8:00 a.m. and 3:30 p.m., Monday through Friday, excluding holidays. **The anticipated lead time for delivery should be stated in definite terms (on the bid schedule) and may be a factor in making an award.**
5. All deliveries must be FOB Destination freight prepaid, Inside Delivery. No tailgate deliveries will be accepted. The term FOB Destination freight prepaid, Inside Delivery shall mean delivered, unloaded and brought inside to the district's designated receiving site with all charges for transportation and unloading paid by the contractor. **These charges are to be included in the price of the product, not invoiced separately.** Any claim for loss or damages shall be between the contractor and the carrier.
6. Contracted vendor must accompany delivery of the equipment to the job site and set in place at school.
7. Contractor must unpack equipment, remove and dispose of all trash offsite. District dumpsters are not to be used for this purpose.
8. Contractor shall be responsible for complete installation to include refrigeration, electrical hookup and start-up prior to departing the school facility.
9. Contractor, or broker, will be required to demonstrate all sections and parts of the cooler and freezer units.
10. Equipment must be delivered, installed, operational and demonstrated no later than July 31, 2023.

### District Responsibilities:

1. District will be responsible for disconnection, removal and disposal of existing cooler and freezer units prior to delivery of new units by Contractor.

### Start & Completion Dates:

1. The District anticipates a purchase order will be issued on or about January 3, 2023.
2. Work to be completed between May 30, 2023 – July 31, 2023. Project may require work to be performed during weekends to meet the completion date. The District must approve any date(s) scheduled. A designee of the District shall coordinate the scheduling of all work with the contractor.

**Operational Manuals:** Unless otherwise specified, contractor shall provide one operational manual for each item acquired.

**Quality – New:** All items and materials must be new. Refurbished or remanufactured items will NOT be accepted.

#### IV. INFORMATION FOR OFFERORS TO SUBMIT

**Information for Offerors to Submit – General:** You shall submit a signed Cover Page and Page Two. If you submit your offer electronically, you must upload an image of a signed Cover Page and Page Two. Your offer should include all other information and documents requested in this part and in parts II.B. Special Instructions; III. Scope of Work; V. Qualifications; VIII. Bidding Schedule/Price Proposal; and any appropriate attachments addressed in Part IX. Attachments to Solicitations. You should submit a summary of all insurance policies you have or plan to acquire to comply with the insurance requirements stated herein, if any, including policy types; coverage types; limits, sub-limits, and deductibles for each policy and coverage type; the carrier's A.M. Best rating; and whether the policy is written on an occurrence or claims-made basis.

#### V. QUALIFICATIONS

**Qualifications of Offeror:** (1) To be eligible for award, you must have the capability in all respects to perform fully the contract requirements and the integrity and reliability which will assure good faith performance. We may also consider a documented commitment from a satisfactory source that will provide you with a capability. We may consider information from any source at any time prior to award. We may elect to consider (i) key personnel, any predecessor business, and any key personnel of any predecessor business, including any facts arising prior to the date a business was established, and/or (ii) any subcontractor you identify. (2) You must promptly furnish satisfactory evidence of responsibility upon request. Unreasonable failure to supply requested information is grounds for rejection. (3) **Corporate subsidiaries are cautioned that the financial capability of an affiliated or parent company will not be considered in determining financial capability;** however, we may elect to consider any security, e.g. letter of credit, performance bond, parent-company corporate guaranty, that you offer to provide.

**Subcontractor – Identification:** If you intend to subcontract, at any tier level, with another business for any portion of the work and that portion either (1) exceeds 10% of your cost, (2) involves access to any "government information," as defined in the clause entitled "Information Security - Definitions," if included, or (3) otherwise involves services critical to your performance of the work (err on the side of inclusion), your offer must identify that business and the work which they are to perform. Identify potential subcontractors by providing the business name, address, phone, taxpayer identification number, and point of contact. In determining your responsibility, the district may contact and evaluate your proposed subcontractors.

#### VI. AWARD CRITERIA

**Award Criteria – Bids:** Award will be made to the lowest responsible and responsive bidder(s).

**Award By Lot:** Award will be made by complete lot(s).

**Award To Multiple Offerors:** Award may be made to more than one Offeror.

**Unit Price Governs:** In determining award, unit prices will govern over extended prices unless otherwise stated.

#### VII. TERMS AND CONDITIONS – A. GENERAL

**Assignment, Novation, And Change Of Name, Identity, Or Structure:**

(a) Contractor shall not assign this contract, or its rights, obligations, or any other interest arising from this contract, or delegate any of its performance obligations, without the express written consent of the responsible procurement officer. The foregoing restriction does not apply to a transfer that occurs by operation of law (e.g., bankruptcy; corporate reorganizations and consolidations, but not including partial asset sales). Notwithstanding the foregoing, contractor may assign monies receivable under the contract provided that the district shall have no obligation to make payment to an assignee until thirty days after



contractor (not the assignee) has provided the responsible procurement officer with (i) proof of the assignment, (ii) the identity (by contract number) of the specific district contract to which the assignment applies, and (iii) the name of the assignee and the exact address or account information to which assigned payments should be made. (b) If contractor amends, modifies, or otherwise changes its name, its identity (including its trade name), or its corporate, partnership or other structure, or its FEIN, contractor shall provide the procurement officer prompt written notice of such change. (c) Any name change, transfer, assignment, or novation is subject to the conditions and approval required by Regulation 19-445.2180, which does not restrict transfers by operation of law.

**Bankruptcy - General:** (a) Notice. In the event the Contractor enters into proceedings relating to bankruptcy, whether voluntary or involuntary, the Contractor agrees to furnish written notification of the bankruptcy to the District. This notification shall be furnished within two (2) days of the initiation of the proceedings relating to the bankruptcy filing. This notification shall include the date on which the bankruptcy petition was filed, the identity of the court in which the bankruptcy petition was filed, and a listing of all District contracts against which final payment has not been made. This obligation remains in effect until final payment under this Contract. (b) Termination. This contract is voidable and subject to immediate termination by the District upon the contractor's insolvency, including the filing of proceedings in bankruptcy.

**Choice-of-Law:** The agreement, any dispute, claim, or controversy relating to the agreement, and all the rights and obligations of the parties shall, in all respects, be interpreted, construed, enforced and governed by and under the laws of the State of South Carolina, except its choice of law rules. As used in this paragraph, the term "Agreement" means any transaction or agreement arising out of, relating to, or contemplated by the solicitation.

**Contract Documents & Order Of Precedence:** (a) Any contract resulting from this solicitation shall consist of the following documents: (1) a Record of Negotiations, if any, executed by you and the Procurement Officer, (2) the solicitation, as amended, (3) documentation of clarifications [11-35-1520(8)] or discussions [11-35-1530(6)] of an offer, if applicable, (4) your offer, (5) any statement reflecting the District's final acceptance (a/k/a "award"), and (6) purchase orders. These documents shall be read to be consistent and complementary. Any conflict among these documents shall be resolved by giving priority to these documents in the order listed above. (b) The terms and conditions of documents (1) through (5) above shall apply notwithstanding any additional or different terms and conditions in any other document, including without limitation, (i) a purchase order or other instrument submitted by the District, (ii) any invoice or other document submitted by Contractor, or (iii) any privacy policy, terms of use, or end user agreement. Except as otherwise allowed herein, the terms and conditions of all such documents shall be void and of no effect. (c) No contract, license, or other agreement containing contractual terms and conditions will be signed by the District. Any document signed or otherwise agreed to by persons other than the Procurement Officer shall be void and of no effect.

**Discount for Prompt Payment:** (a) Discounts for prompt payment will not be considered in the evaluation of offers. However, any offered discount will form a part of the award, and will be taken if payment is made within the discount period indicated in the offer by the offeror. As an alternative to offering a discount for prompt payment in conjunction with the offer, offerors awarded contracts may include discounts for prompt payment on individual invoices. (b) In connection with any discount offered for prompt payment, time shall be computed from the date of the invoice. If the contractor has not placed a date on the invoice, the due date shall be calculated from the date the designated billing office receives a proper invoice, provided the district annotates such invoice with the date of receipt at the time of receipt. For the purpose of computing the discount earned, payment shall be considered to have been made on the date that appears on the payment check or, for an electronic funds transfer, the specified payment date. When the discount date falls on a Saturday, Sunday, or legal holiday when federal government offices are closed and government business is not expected to be conducted, payment may be made on the following business day.

**Disputes:** (1) Choice-of-Forum. All disputes, claims, or controversies relating to the Agreement shall be resolved exclusively by the appropriate Chief Procurement Officer in accordance with Title 11, Chapter 35, Article 17 of the South Carolina Code of Laws, or in the absence of jurisdiction, only in the Court of Common Pleas for, or a federal court located in the State of South Carolina. Contractor agrees that any act by the district regarding the Agreement is not a waiver of either the government's sovereign immunity or the government's immunity under the Eleventh Amendment of the United States

Constitution. As used in this paragraph, the term "Agreement" means any transaction or agreement arising out of, relating to, or contemplated by the solicitation. (2) Service of Process. Contractor consents that any papers, notices, or process necessary or proper for the initiation or continuation of any disputes, claims, or controversies relating to the Agreement; for any court action in connection therewith; or for the entry of judgment on any award made, may be served on Contractor by certified mail (return receipt requested) addressed to Contractor at the address provided as the Notice Address on Page Two or by personal service or by any other manner that is permitted by law, in or outside South Carolina. Notice by certified mail is deemed duly given upon deposit in the United States mail.

**Equal Opportunity:** Contractor is referred to and shall comply with all applicable provisions, if any, of Title 41, Part 60 of the Code of Federal Regulations, including but not limited to Sections 60-1.4, 60-4.2, 60-4.3, 60-250.5(a), and 60-741.5(a), which are hereby incorporated by reference.

**False Claims:** According to the S.C. Code of Laws § 16-13-240, "a person who by false pretense or representation obtains the signature of a person to a written instrument or obtains from another person any chattel, money, valuable security, or other property, real or personal, with intent to cheat and defraud a person of that property is guilty" of a crime.

**Fixed Pricing Required:** Any pricing provided by contractor shall include all costs for performing the work associated with that price. Except as otherwise provided in this solicitation, contractor's price shall be fixed for the duration of this contract, including option terms. This clause does not prohibit contractor from offering lower pricing after award.

- Price(s) shall include overhead, profit, insurance, rental equipment, power tools, travel, fuel, fuel surcharges, delivery, set-up charges, taxes, etc. The district shall not honor any hidden charges.

**No Indemnity Or Defense:** Any term or condition is void to the extent it requires the District to indemnify, defend, or pay attorney's fees to anyone for any reason.

**Notice:** (a) After award, any notices shall be in writing and shall be deemed duly given (1) upon actual delivery, if delivery is by hand, (2) upon receipt by the transmitting party of automated confirmation or answer back from the recipient's device if delivery is by telex, telegram, facsimile, or electronic mail, or (3) upon deposit into the United States mail, if postage is prepaid, a return receipt is requested, and either registered or certified mail is used. (b) Notice to contractor shall be to the address identified as the notice address on page two. Notice to the district shall be to the Procurement Office address on the cover page. Either party may designate a different address for notice by giving notice in accordance with this paragraph.

**Open Trade:** During the contract term, including any renewals or extensions, Contractor will not engage in the boycott of a person or an entity based in or doing business with a jurisdiction with whom South Carolina can enjoy open trade, as defined in SC Code Section 11-35-5300.

**Payment & Interest:** (a) The District shall pay the Contractor, after the submission of proper invoices or vouchers, the prices stipulated in this contract for supplies delivered and accepted or services rendered and accepted, less any deductions provided in this contract. Unless otherwise specified herein, including the purchase order, payment shall not be made on partial deliveries accepted by the District. (b) Notwithstanding any other provision, payment shall be made in accordance with S.C. Code Section 11-35-45, or Chapter 6 of Title 29 (real property improvements) when applicable, which provides the Contractor's exclusive means of recovering any type of interest from the Owner. Contractor waives imposition of an interest penalty unless the invoice submitted specifies that the late penalty is applicable. Except as set forth in this paragraph, the District shall not be liable for the payment of interest on any debt or claim arising out of or related to this contract for any reason. (c) Amounts due to the District shall bear interest at the rate of interest established by the South Carolina Comptroller General pursuant to Section 11-35-45 ("an amount not to exceed fifteen percent each year"), as amended, unless otherwise required by Section 29-6-30. (d) Any other basis for interest, including but not limited to general (pre- and post-judgment) or specific interest statutes, including S.C. Code Ann. Section 34-31-20, are expressly waived by both parties. If a court, despite this agreement and waiver, requires that interest be paid on any debt by either party other than as provided by items (b) and (c) above, the parties further agree that the applicable interest rate for any given calendar year shall be the lowest prime rate

as listed in the first edition of the Wall Street Journal published for each year, applied as simple interest without compounding.  
(e) The District shall have all of its common law, equitable and statutory rights of set-off.

- All invoices for payment of purchases of goods or services shall be delivered to: Lancaster County School District, Attn: Accounts Payable, 300 S. Catawba St., Lancaster, SC 29720.
- All payment for purchases of goods and services shall be paid by the district within thirty (30) days after the acceptance of the goods or services and proper invoice, whichever is received later.

**Publicity:** Contractor shall not publish any comments or quotes by district employees, or include the district in either news releases or a published list of customers, without the prior written approval of the Procurement Officer.

**Purchase Orders:** Contractor shall not perform any work prior to the receipt of a purchase order from the district. The district shall order any supplies or services to be furnished under this contract by issuing a purchase order. Purchase orders may be used to elect any options available under this contract, e.g., quantity, item, delivery date, payment method, but are subject to all terms and conditions of this contract. Purchase orders may be electronic. No particular form is required. An order placed pursuant to the purchasing card provision qualifies as a purchase order.

- Purchase order number must be clearly stated on each carton or package, shipping ticket, invoice and any/all other information related to the order.

**Survival of Obligations:** The parties' rights and obligations which, by their nature, would continue beyond the termination, cancellation, rejection, or expiration of this contract shall survive such termination, cancellation, rejection, or expiration, including, but not limited to, the rights and obligations created by the following clauses: Indemnification - Third Party Claims, Intellectual Property Indemnification, and any provisions regarding warranty or audit.

**Taxes:** Any tax the contractor may be required to collect or pay upon the sale, use or delivery of the products shall be paid by the District, and such sums shall be due and payable to the contractor upon acceptance. Any personal property taxes levied after delivery shall be paid by the District. It shall be solely the District's obligation, after payment to contractor, to challenge the applicability of any tax by negotiation with, or action against, the taxing authority. Contractor agrees to refund any tax collected, which is subsequently determined not to be proper and for which a refund has been paid to contractor by the taxing authority. In the event that the contractor fails to pay, or delays in paying, to any taxing authorities, sums paid by the District to contractor, contractor shall be liable to the District for any loss (such as the assessment of additional interest) caused by virtue of this failure or delay. Taxes based on Contractor's net income or assets shall be the sole responsibility of the contractor.

**Termination Due To Unavailability Of Funds:** Payment and performance obligations for succeeding fiscal periods shall be subject to the availability and appropriation of funds therefor. When funds are not appropriated or otherwise made available to support continuation of performance in a subsequent fiscal period, the contract shall be canceled. In the event of a cancellation pursuant to this paragraph, contractor will be reimbursed the resulting unamortized, reasonably incurred, nonrecurring costs. Contractor will not be reimbursed any costs amortized beyond the initial contract term.

**Third Party Beneficiary:** This contract is made solely and specifically among and for the benefit of the parties hereto, and their respective successors and assigns, and no other person will have any rights, interest, or claims hereunder or be entitled to any benefits under or on account of this contract as a third party beneficiary or otherwise.

**Waiver:** The district does not waive any prior or subsequent breach of the terms of the contract by making payments on the contract, by failing to terminate the contract for lack of performance, or by failing to strictly or promptly insist upon any term of the contract. Only the Chief Procurement Officer has actual authority to waive any of the district's rights under this contract. Any waiver must be in writing.

## VII. TERMS AND CONDITIONS – B. SPECIAL

### Changes:

(1) Contract Modification. By a written order, at any time, and without notice to any surety, the Procurement Officer may, subject to all appropriate adjustments, make changes within the general scope of this contract in any one or more of the following:

- (a) drawings, designs, or specifications, if the supplies to be furnished are to be specially manufactured for the District in accordance therewith;
- (b) method of shipment or packing;
- (c) place of delivery;
- (d) description of services to be performed;
- (e) time of performance (i.e., hours of the day, days of the week, etc.); or,
- (f) place of performance of the services. Subparagraphs (a) to (c) apply only if supplies are furnished under this contract. Subparagraphs (d) to (f) apply only if services are performed under this contract.

(2) Adjustments of Price or Time for Performance. If any such change increases or decreases the contractor's cost of, or the time required for, performance of any part of the work under this contract, whether or not changed by the order, an adjustment shall be made in the contract price, the delivery schedule, or both, and the contract modified in writing accordingly. Any adjustment in contract price made pursuant to this clause shall be determined in accordance with the Price Adjustment Clause of this contract. Failure of the parties to agree to an adjustment shall not excuse the contractor from proceeding with the contract as changed, provided that the District promptly and duly make such provisional adjustments in payment or time for performance as may be reasonable. By proceeding with the work, the contractor shall not be deemed to have prejudiced any claim for additional compensation, or an extension of time for completion.

(3) Time Period for Claim. Within 30 days after receipt of a written contract modification under Paragraph (1) of this clause, unless such period is extended by the Procurement Officer in writing, the contractor shall file notice of intent to assert a claim for an adjustment. Later notification shall not bar the contractor's claim unless the District is prejudiced by the delay in notification.

(4) Claim Barred After Final Payment. No claim by the contractor for an adjustment hereunder shall be allowed if notice is not given prior to final payment under this contract.

**Compliance with Laws:** During the term of the contract, contractor shall comply with all applicable provisions of laws, codes, ordinances, rules, regulations, and tariffs.

**Contract Limitations:** No sales may be made pursuant to this contract for any item or service that is not expressly listed. No sales may be made pursuant to this contract after expiration of this contract. Violation of this provision may result in termination of this contract and may subject contractor to suspension or debarment.

**Contractor Personnel:** The Contractor shall enforce strict discipline and good order among the Contractor's employees and other persons carrying out the Contract. The Contractor shall not permit employment of unfit persons or persons not skilled in tasks assigned to them.

**Contractor's Obligation – General:** The contractor shall provide and pay for all materials, tools, equipment, labor and professional and non- professional services, and shall perform all other acts and supply all other things necessary, to fully and properly perform and complete the work. The contractor must act as the prime contractor and assume full responsibility for any subcontractor's performance. The contractor will be considered the sole point of contact with regard to all situations, including payment of all charges and the meeting of all other requirements.

### **Default:**

(a) (1) The District may, subject to paragraphs (c) and (d) of this clause, by written notice of default to the Contractor, terminate this contract in whole or in part if the Contractor fails to:

- (i) Deliver the supplies or to perform the services within the time specified in this contract or any extension;
- (ii) Make progress, so as to endanger performance of this contract (but see paragraph (a)(2) of this clause); or

- (iii) Perform any of the other material provisions of this contract (but see paragraph (a)(2) of this clause).
- (2) The District's right to terminate this contract under subdivisions (a)(1)(ii) and (1)(iii) of this clause, may be exercised if the Contractor does not cure such failure within 10 days (or more if authorized in writing by the Procurement Officer) after receipt of the notice from the Procurement Officer specifying the failure.
- (b) If the District terminates this contract in whole or in part, it may acquire, under the terms and in the manner the Procurement Officer considers appropriate, supplies or services similar to those terminated, and the Contractor will be liable to the District for any excess costs for those supplies or services. However, the Contractor shall continue the work not terminated.
- (c) Except for defaults of subcontractors at any tier, the Contractor shall not be liable for any excess costs if the failure to perform the contract arises from causes beyond the control and without the fault or negligence of the Contractor. Examples of such causes include (1) acts of God or of the public enemy, (2) acts of the State in either its sovereign or contractual capacity, (3) fires, (4) floods, (5) epidemics, (6) quarantine restrictions, (7) strikes, (8) freight embargoes, and (9) unusually severe weather. In each instance the failure to perform must be beyond the control and without the fault or negligence of the Contractor.
- (d) If the failure to perform is caused by the default of a subcontractor at any tier, and if the cause of the default is beyond the control of both the Contractor and subcontractor, and without the fault or negligence of either, the Contractor shall not be liable for any excess costs for failure to perform, unless the subcontracted supplies or services were obtainable from other sources in sufficient time for the Contractor to meet the required delivery schedule.
- (e) If this contract is terminated for default, the District may require the Contractor to transfer title and deliver to the District, as directed by the Procurement Officer, any (1) completed supplies, and (2) partially completed supplies and materials, parts, tools, dies, jigs, fixtures, plans, drawings, information, and contract rights (collectively referred to as "manufacturing materials" in this clause) that the Contractor has specifically produced or acquired for the terminated portion of this contract. Upon direction of the Procurement Officer, the Contractor shall also protect and preserve property in its possession in which the District has an interest.
- (f) The District shall pay contract price for completed supplies delivered and accepted. The Contractor and Procurement Officer shall agree on the amount of payment for manufacturing materials delivered and accepted and for the protection and preservation of the property; if the parties fail to agree, the Procurement Officer shall set an amount subject to the Contractor's rights under the Disputes clause. Failure to agree will be a dispute under the Disputes clause. The District may withhold from these amounts any sum the Procurement Officer determines to be necessary to protect the District against loss because of outstanding liens or claims of former lien holders.
- (g) If, after termination, it is determined that the Contractor was not in default, or that the default was excusable, the rights and obligations of the parties shall, if the contract contains a clause providing for termination for convenience of the District, be the same as if the termination had been issued for the convenience of the District. If, in the foregoing circumstances, this contract does not contain a clause providing for termination for convenience of the District, the contract shall be adjusted to compensate for such termination and the contract modified accordingly subject to the contractor's rights under the Disputes clause.
- h) The rights and remedies of the District in this clause are in addition to any other rights and remedies provided by law or under this contract.

**Disposal of Packaging:** Contractor shall dispose of all wrappings, crating, and other disposable materials pertaining to this contract at the end of each working day and upon completion of installation.

**Illegal Immigration:** By signing your offer, you certify that you will comply with the applicable requirements of Title 8, Chapter 14 of the South Carolina Code of Laws and agree to provide to the district upon request any documentation required to establish either: (a) that Title 8, Chapter 14 is inapplicable to you and your subcontractors or sub-subcontractors; or (b) that you and your subcontractors or sub-subcontractors are in compliance with Title 8, Chapter 14. Pursuant to Section 8-14-60, "A person who knowingly makes or files any false, fictitious, or fraudulent document, statement, or report pursuant to this chapter is guilty of a felony, and, upon conviction, must be fined within the discretion of the court or imprisoned for not more than five years, or both." You agree to include in any contracts with your subcontractors language requiring your subcontractors to (a) comply with the applicable requirements of Title 8, Chapter 14, and (b) include in their contracts with the

sub-subcontractors language requiring the sub-subcontractors to comply with the applicable requirements of Title 8, Chapter 14.

**Indemnification- Third Party Claims – General:** Notwithstanding any limitation in this agreement, and to the fullest extent permitted by law, Contractor shall defend and hold harmless Indemnitees for and against any and all suits or claims of any character (and all related damages, settlement payments, attorneys' fees, costs, expenses, losses or liabilities) by a third party which are attributable to bodily injury, sickness, disease or death, or to injury to or destruction of tangible property arising out of or in connection with the goods or services acquired hereunder or caused in whole or in part by any act or omission of contractor, its subcontractors, their employees, workmen, servants, agents, or anyone directly or indirectly employed by them or anyone for whose acts any of them may be liable, regardless of whether or not caused in part by an Indemnitee, and whether or not such claims are made by a third party or an Indemnitee; however, if an Indemnitee's negligent act or omission is subsequently determined to be the sole proximate cause of a suit or claim, the Indemnitee shall not be entitled to indemnification hereunder. Contractor shall be given timely written notice of any suit or claim. Contractor's obligations hereunder are in no way limited by any protection afforded under workers' compensation acts, disability benefits acts, or other employee benefit acts. This clause shall not negate, abridge, or reduce any other rights or obligations of indemnity which would otherwise exist. The obligations of this paragraph shall survive termination, cancelation, or expiration of the parties' agreement. This provision shall be construed fairly and reasonably, neither strongly for nor against either party, and without regard to any clause regarding insurance. As used in this clause, "Indemnitees" means the Lancaster County School District, its instrumentalities, agencies, departments, boards, political subdivisions and all their respective officers, agents and employees.

**Licenses And Permits:** During the term of the contract, the Contractor shall be responsible for obtaining, and maintaining in good standing, all licenses (including professional licenses, if any), permits, inspections and related fees for each or any such licenses, permits and /or inspections required by the State, county, city or other government entity or unit to accomplish the work specified in this solicitation and the contract.

**Material and Workmanship:** Unless otherwise specifically provided in this contract, all equipment, material, and articles incorporated in the work covered by this contract are to be new and of the most suitable grade for the purpose intended.

**Price Adjustments:**

(1) Method of Adjustment. Any adjustment in the contract price made pursuant to a clause in this contract shall be consistent with this Contract and shall be arrived at through whichever one of the following ways is the most valid approximation of the actual cost to the Contractor (including profit, if otherwise allowed):

- (a) by agreement on a fixed price adjustment before commencement of the pertinent performance or as soon thereafter as practicable;
- (b) by unit prices specified in the Contract or subsequently agreed upon;
- (c) by the costs attributable to the event or situation covered by the relevant clause, including profit if otherwise allowed, all as specified in the Contract; or subsequently agreed upon;
- (d) in such other manner as the parties may mutually agree; or,
- (e) in the absence of agreement by the parties, through a unilateral initial written determination by the Procurement Officer of the costs attributable to the event or situation covered by the clause, including profit if otherwise allowed, all as computed by the Procurement Officer in accordance with generally accepted accounting principles, subject to the provisions of Title 11, Chapter 35, Article 17 of the S.C. Code of Laws.

(2) Submission of Price or Cost Data. Upon request of the Procurement Officer, the contractor shall provide reasonably available factual information to substantiate that the price or cost offered, for any price adjustments is reasonable, consistent with the provisions of Section 11-35-1830.

**Pricing Data – Audit – Inspection:** (a) Cost or Pricing Data. Upon Procurement Officer's request, you shall submit cost or pricing data, as defined by 48 C.F.R. Section 2.101 (2004), prior to either (1) any award to contractor pursuant to 11-35-1530 or 11-35-1560, if the total contract price exceeds \$500,000, or (2) execution of a change order or contract modification with contractor which exceeds \$100,000. Your price, including profit or fee, shall be adjusted to exclude any significant sums by

which the district finds that such price was increased because you furnished cost or pricing data that was inaccurate, incomplete, or not current as of the date agreed upon between parties. (b) Records Retention. You shall maintain your records for three years from the date of final payment, or longer if requested by the chief Procurement Officer. The district may audit your records at reasonable times and places. As used in this subparagraph (b), the term "records" means any books or records that relate to cost or pricing data submitted pursuant to this clause. In addition to the obligation stated in this subparagraph (b), you shall retain all records and allow any audits provided for by 11-35-2220(2). (c) Inspection. At reasonable times, the district may inspect any part of your place of business which is related to performance of the work. (d) Instructions Certification. When you submit data pursuant to subparagraph (a), you shall (1) do so in accordance with the instructions appearing in Table 15-2 of 48 C.F.R. Section 15.408 (2004) (adapted as necessary for the district context), and (2) submit a Certificate of Current Cost or Pricing Data, as prescribed by 48 CFR Section 15.406-2(a) (adapted as necessary for the district context). (e) Subcontracts. You shall include the above text of this clause in all of your subcontracts. (f) Nothing in this clause limits any other rights of the district.

**Relationship Of The Parties:** Neither party is an employee, agent, partner, or joint venturer of the other. Neither party has the right or ability to bind the other to any agreement with a third party or to incur any obligation or liability on behalf of the other party.

**Restrictions on Presenting Terms of Use or Offering Additional Services:**

(a) Citizens, as well as public employees (acting in their individual capacity), should not be unnecessarily required to agree to or provide consent to policies or contractual terms in order to access services acquired by the district pursuant to this contract (hereinafter "applicable services") or, in the case of public employees, to perform their job duties; accordingly, in performing the work, contractor shall not require or invite any citizen or public employee to agree to or provide consent to any end user contract, privacy policy, or other terms of use (hereinafter "terms of use") not previously approved in writing by the procurement officer. Contractor agrees that any terms of use regarding applicable services are void and of no effect.

(b) Unless expressly provided in the solicitation, public contracts are not intended to provide contractors an opportunity to market additional products and services; accordingly, in performing the work, contractor shall not – for itself or on behalf of any third party – offer citizens or public employees (other than the procurement officer) any additional products or services not required by the contract.

(c) Any reference to contractor in items (a) or (b) also includes any subcontractor at any tier. Contractor is responsible for compliance with these obligations by any person or entity that contractor authorizes to take any action related to the work.

(d) Any violation of this clause is a material breach of contract. The parties acknowledge the difficulties inherent in determining the damage from any breach of these restrictions. Contractor shall pay the district liquidated damages of \$1,000 for each contact with a citizen or end user that violates this restriction.

**Shipping/Risk of Loss:** F.O.B. Destination, Freight Prepaid. Destination is the District's designated receiving site, or other location, as specified on the purchase order.

**Storage Of Materials:** Absent approval of the using governmental unit, Contractor shall not store items on the premises of the using governmental unit prior to the time set for installation.

**Substitutions Prohibited – End Product Preferences:** If you receive the award as a result of the South Carolina end product or United States end product preference, you may not substitute a non-qualifying end product for a qualified end product. If you violate this provision, the District may terminate your contract for cause and you may be debarred. In addition, you shall pay to the District an amount equal to twice the difference between the price paid by the District and your evaluated price for the item for which you delivered a substitute.

**Subcontractor Substitution Prohibited - Resident Subcontractor Preference:** If you receive an award as a result of the subcontractor preference, you may not substitute any business for the subcontractor upon which you relied to qualify for the preference, unless first approved in writing by the procurement officer. If you violate this provision, the State may terminate your contract for cause and you may be debarred. In addition, the procurement officer may require you to pay the State an

amount equal to twice the difference between the price paid by the State and the price offered by the next lowest bidder, unless the substituted subcontractor qualifies for the preference.

**Termination For Convenience:** (1) Termination. The Procurement Officer may terminate this contract in whole or in part, for the convenience of the District. The Procurement Officer shall give written notice of the termination to the contractor specifying the part of the contract terminated and when termination becomes effective.

(2) Contractor's Obligations. The contractor shall incur no further obligations in connection with the terminated work and on the date set in the notice of termination the contractor will stop work to the extent specified. The contractor shall also terminate outstanding orders and subcontracts as they relate to the terminated work. The contractor shall settle the liabilities and claims arising out of the termination of subcontracts and orders connected with the terminated work. The Procurement Officer may direct the contractor to assign the contractor's right, title, and interest under terminated orders or subcontracts to the District. The contractor must still complete the work not terminated by the notice of termination and may incur obligations as are necessary to do so.

(3) Right to Supplies. The Procurement Officer may require the contractor to transfer title and deliver to the District in the manner and to the extent directed by the Procurement Officer: (a) any completed supplies; and (b) such partially completed supplies and materials, parts, tools, dies, jigs, fixtures, plans, drawings, information, and contract rights (hereinafter called "manufacturing material") as the contractor has specifically produced or specially acquired for the performance of the terminated part of this contract. The contractor shall, upon direction of the Procurement Officer, protect and preserve property in the possession of the contractor in which the District has an interest. If the Procurement Officer does not exercise this right, the contractor shall use best efforts to sell such supplies and manufacturing materials in accordance with the standards of Uniform Commercial Code Section 2-706. Utilization of this Section in no way implies that the District has breached the contract by exercise of the Termination for Convenience Clause.

(4) Compensation. (a) The contractor shall submit a termination claim specifying the amounts due because of the termination for convenience together with cost or pricing data required by Section 11-35-1830 bearing on such claim. If the contractor fails to file a termination claim within one year from the effective date of termination, the Procurement Officer may pay the contractor, if at all, an amount set in accordance with Subparagraph (c) of this Paragraph.

(b) The Procurement Officer and the contractor may agree to a settlement and that the settlement does not exceed the total contract price plus settlement costs reduced by payments previously made by the District, the proceeds of any sales of supplies and manufacturing materials under Paragraph (3) of this clause, and the contract price of the work not terminated;

(c) Absent complete agreement under Subparagraph (b) of this Paragraph, the Procurement Officer shall pay the contractor the following amounts, provided payments agreed to under Subparagraph (b) shall not duplicate payments under this Subparagraph:

(i) contract prices for supplies or services accepted under the contract;

(ii) costs reasonably incurred in performing the terminated portion of the work less amounts paid or to be paid for accepted supplies or services;

(iii) reasonable costs of settling and paying claims arising out of the termination of subcontracts or orders pursuant to Paragraph (2) of this clause. These costs must not include costs paid in accordance with Subparagraph (c)(ii) of this paragraph;

(iv) any other reasonable costs that have resulted from the termination. The total sum to be paid the contractor under this Subparagraph shall not exceed the total contract price plus the reasonable settlement costs of the contractor reduced by the amount of payments otherwise made, the proceeds of any sales of supplies and manufacturing materials under Subparagraph (b) of this Paragraph, and the contract price of work not terminated.

(d) Contractor must demonstrate any costs claimed, agreed to, or established under Subparagraphs (b) and (c) of this Paragraph using its standard record keeping system, provided such system is consistent with any applicable Generally Accepted Accounting Principles.

(5) Contractor's failure to include an appropriate termination for convenience clause in any subcontract shall not (i) affect the District's right to require the termination of a subcontract, or (ii) increase the obligation of the District beyond what it would have been if the subcontract had contained an appropriate clause.

**Warranty – Standard:** Contractor must provide the manufacturer's standard written warranty upon delivery of product. Contractor warrants that manufacturer will honor the standard written warranty provided.



<b>Buford Middle School</b> <i>1890 N. Rocky River Road, Lancaster, SC 29720</i>					
Item #	Description	Preferences	Lead Time	Quantity	Unit Price
1	<i>Bally Outdoor 2 Compartment Walk-In Cooler/Freezer Unit with Metro Shelving Units, including delivery.</i>			1	\$
2	<i>Installation</i>			1	\$
<b>Subtotal: Lot 1 - Buford Middle School</b>				<b>\$</b>	
<b>Clinton Elementary School</b> <i>110 Clinton School Road, Lancaster, SC 29720</i>					
Item #	Description	Preferences	Lead Time	Quantity	Unit Price
3	<i>Bally Indoor Single Compartment Walk-In Freezer Unit with Metro Shelving Units, including delivery.</i>			1	\$
4	<i>Installation</i>			1	\$
<b>Subtotal: Lot 2 – Clinton Elementary School</b>				<b>\$</b>	
<b>Erwin Elementary School</b> <i>1477 Locustwood Ave, Lancaster, SC 29720</i>					
Item #	Description	Preferences	Lead Time	Quantity	Unit Price
5	<i>Bally Outdoor 2 Compartment Walk-In Cooler/Freezer Unit with Metro Shelving Units, including delivery.</i>			1	\$
6	<i>Installation</i>			1	\$
<b>Subtotal: Lot 3 – Erwin Elementary School</b>				<b>\$</b>	
<b>McDonald Green Elementary School</b> <i>2763 Lynwood Drive, Lancaster, SC 29720</i>					
Item #	Description	Preferences	Lead Time	Quantity	Unit Price
7	<i>Bally Indoor 2 Compartment Walk-In Cooler/Freezer Unit with Metro Shelving Units, including delivery.</i>			1	\$
8	<i>Installation</i>			1	\$
<b>Subtotal: Lot 4 – McDonald Green Elementary School</b>				<b>\$</b>	

<b>South Middle School</b> 1551 Billings Drive, Lancaster, SC 29720					
Item #	Description	Preferences	Lead Time	Quantity	Unit Price
9	<i>Bally Indoor 2 Compartment Walk-In Cooler/Freezer Unit with Metro Shelving Units, including delivery.</i>			1	\$
10	<i>Installation</i>			1	\$
11	<i>Bally Indoor Single Compartment Walk-In Cooler Unit with Metro Shelving Units, including delivery.</i>			1	\$
12	<i>Installation</i>			1	\$
<b>Subtotal: Lot 5 – South Middle School</b>				<b>\$</b>	
<b>Total Base Bid</b>				<b>\$</b>	

Vendor Name: \_\_\_\_\_

**List of all Subcontractors by specialty who are expected to perform work to the Prime Contractor:**

(1) All subcontractors' bids shall be included in the base bid amount. (2) A prime contractor whose bid is accepted may not substitute a person as subcontractor in place of a subcontractor listed in the original bid, except for showing a satisfactory reason to the District. Request for substitution must be made to the District in writing. (3) If the bidder determines to use his own employees to perform a portion of the work for which he would otherwise be required to list a subcontractor and if the bidder is qualified to perform that work under the terms of the invitation for bids, the bidder shall list himself in the appropriate place in the bid and not subcontract that work except with the approval of the District for good cause shown.

**Sub-Contractors:**

**If you use more than one subcontractor for any trade, please list each individually.**

\_\_\_\_\_ : \_\_\_\_\_ Bid Amount: \$ \_\_\_\_\_  
Trade                      Subcontractor's Name – SC License #

\_\_\_\_\_ : \_\_\_\_\_ Bid Amount: \$ \_\_\_\_\_  
Trade                      Subcontractor's Name – SC License #

\_\_\_\_\_ : \_\_\_\_\_ Bid Amount: \$ \_\_\_\_\_  
Trade                      Subcontractor's Name – SC License #

Company Name \_\_\_\_\_ Date \_\_\_\_\_

## IX. ATTACHMENTS TO SOLICITATION

### OFFEROR'S CHECKLIST AVOID COMMON BID/PROPOSAL MISTAKES

*Review this checklist prior to submitting your bid/proposal. If you fail to follow this checklist, you risk having your bid/proposal rejected.*

- Do not include any of your standard contract forms!
- Unless expressly required, do not include any additional boilerplate contract clauses.
- Reread your entire bid/proposal to make sure your bid/proposal does not take exception to any of the district's mandatory requirements.
- Make sure you have properly marked all protected, confidential, or trade secret information in accordance with the instructions entitled: **"Disclosure of Your Bid/Proposal & Submitting Confidential Data"**. Do not mark your entire bid/proposal as confidential, trade secret, or protected! Do not include a legend on the cover stating that your entire response is not to be released!
- Make sure you have properly acknowledged all amendments. Instructions regarding how to acknowledge amendments are outlined in section entitled: **"Instructions to Offerors – A. General Instructions (Amendments to Solicitation)"**.
- Make sure your bid/proposal is signed by a person that is authorized to contractually bind your business.
- Make sure your bid/proposal includes the number of copies requested.
- Make sure you properly mark the outside of your envelope with the bid number, due date, and time.
- Check to ensure your bid/proposal includes everything requested!
  - ❑ Cover Page – completed and signed
  - ❑ Page Two - completed
  - ❑ Bid Schedule – completed (to include name of company in space provided)
  - ❑ Company Profile and Reference Form (if required)
  - ❑ Evidence of Liability Insurance
  - ❑ Bid Bond, Certified Check or Cashier's Check (if required)
  - ❑ Appropriate Number of Copies Requested
- If you have concerns about this solicitation, do not raise those concerns in your response! **After opening, it is too late! If this solicitation includes a prebid/proposal conference or a question & answer period, raise your questions as a part of that process!** Please see instructions under the heading **"Instructions to Offerors – A. General Instructions - Questions from Offerors"** and any provisions regarding prebid/proposal conferences.

This checklist is included only as a reminder to help offerors avoid common mistakes.  
Responsiveness will be evaluated against the solicitation, **not** against this checklist.  
You do **not** need to submit this checklist with your response.

**X. MINORITY AND WOMAN BUSINESS ENTERPRISE POLICY AND REQUIREMENTS:**

a) Statement of Policy:

It is a practice of the Lancaster County School District that discrimination against businesses on the basis of race, color, national origin, and gender is prohibited. No person shall be denied the benefit of, or otherwise discriminated against, on the grounds of race, color, national origin or gender in connection with the award and/or performance of any contract or modification of a contract between a vendor or contractor and the District which contract is paid or is to be paid for, in whole or part, with monetary appropriations of the District. Further, it is the practice of the District to encourage and promote, on an inclusionary basis, contracting opportunities for all business, without regard to race, color, national origin or gender. It is expected that all firms seeking to do business with the Lancaster County School District will comply with this policy.

b) Subcontractor Participation:

The Lancaster County School District, through its contract documents, encourages contractors to utilize minority subcontractors on their projects.

A prime contractor must identify M/WBE utilization expenditures to certified M/WBE subcontractors that perform a commercially useful function in the work of the contract. An M/WBE subcontractor is considered to perform a commercially useful function when it is responsible for the execution of a distinct element of the work of a contract for which the MBE or WBE has the skill and expertise and carries out its responsibilities by actually performing, managing and supervising the work involved.

c) Business Utilization Report:

In order to facilitate an effective monitoring system, each contractor, bidder or offeror must submit a completed and signed Utilization Report with the bid submission which lists the names, addresses and contact persons of the M/WBE and majority owned businesses, if any, to be used in the contract, the type of work each business will perform, the dollar value of the work and the scope of work. The Utilization Report submitted by the contractor shall be submitted as a part of the contract with the Lancaster County School District. If the information contained in the Contractor's Utilization Report changes by the time the contract is executed, the Contractor shall amend the Utilization Report and such amended Utilization Report shall be incorporated into the contract.

**Business Enterprise Utilization Report**

List all vendors/subcontractors to be used on this project. All MBE's or WBE's proposed for utilization on this project must be certified by the Small and Minority Business Assistance Office through the State of South Carolina according to the criteria of the Lancaster County School District's Minority Business Enterprise Plan.

In column 6 below, please specify ethnic/racial/gender group as follows:

- AABE – African-American Business Enterprise
- HBE – Hispanic Business Enterprise
- ABE – Asian-American Business Enterprise
- FBE – Female Business Enterprise
- MAJ – Majority Business Enterprise

Project Title	W/M Business Enterprise Name	Address	Contact Person(s)	Telephone #	Designation Code

**Statement of Intent**

We, the undersigned have prepared and submitted all the documents required for this project. We have prepared these documents with a full understanding of the Lancaster County School District's goal to ensure equal opportunities in the proposed work to be undertaken in performance of this project. Specifically the District seeks to encourage and promote on an inclusionary basis contracting opportunities without regard to the race, gender, national origin or ethnicity of the ownership or management of any business and that it is an equal opportunity employer and contracting entity. We certify that the representations contained in the Minority/Women Business Enterprise (M/WBE) Utilization Report, which we have submitted with this solicitation, are true and correct as of this date. We commit to undertake this contract with the Minority/Women Business utilization Report we have submitted, and to comply with all non-discrimination provisions of the Minority/Women Business Enterprise Program in the performance of this contract.

Name: \_\_\_\_\_

Signature: \_\_\_\_\_

Title: \_\_\_\_\_

Date: \_\_\_\_\_



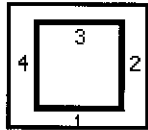
**Bally Refrigerated Boxes, Inc.**  
**Morehead City, NC 28557 (800) 242-2559**

**Last Update:** 10/12/2022  
**Revisor:** Laura Craig  
**To:** All Bidders

**Quote No:** 2744-001-R03-LC  
**Item No:**  
**Job Name:** Buford Middle School  
**Date:** 10/12/2022 **PVD:** 10/3/2022  
**From:** Laura Craig  
 Swanson-Girard & Associates  
 10420 Southern Loop Blvd  
 Pineville, NC 28134  
**Phone:** **Fax:** (704)521-8801

**Attn:**

**Box Shape**



**Outdoor Next To Building**

**NSF APPROVED**

***Bally Prefabricated Exterior Dimensions:***

23'-6 $\frac{3}{4}$ "(l\*) x 8'-2 $\frac{3}{4}$ "(w\*) x 8'-6"(h)  
 2 Compartments 1 Tiers With Floor 4" Floor  
 Ceiling: Single Span

***Panel Thickness:***

4 in. Exterior Vertical Used (7'-10") with 4 in. Partition, 4 in. Floor, 4 in. Ceiling

**Details on Following Page(s)**

**NOTE:** Freight shown is an estimate based on current published rates. A fuel surcharge will be added and changes continuously.

***Walk-in Price:***

***Refrigeration Price:***

***Total Price (FOB Plant) (Less Refrig. Warranties):***

***Estimated Freight:***

***Optional Warranties: (not included in Total Price)***

(1) 00 3/4 HP System (5 yr. Parts , 1 yr. Labor)

(1) 02 HP System (5 yr. Parts , 1 yr. Labor)

**Payment terms and conditions are available upon request.**

*This quotation was based on information supplied to us which may or may not have been complete. Customer is responsible for reviewing this quotation for exclusions, deviations, and any improper information supplied to us.*

**Signature:** \_\_\_\_\_

Laura Craig

**Date:** \_\_\_\_\_

*We are not responsible for the selection or recommendation of the panel finish for any building or walk-in application.*

**NOTE: Quoting Bally standard specifications, sizes, and finishes.**

***This quotation is good through 11/26/2022***

**Act of 2007 (Public Law 110-140) Title III; Section 312, regarding Walk-In Coolers and Walk-In Freezers.**



**Bally Refrigerated Boxes, Inc.**  
**Morehead City, NC 28557 (800) 242-2559**

**Last Update:** 10/12/2022  
**Revisor:** Laura Craig  
**To:** All Bidders

**Quote No:** 2744-001-R03-LC  
**Item No:**  
**Job Name:** Buford Middle School  
**Date:** 10/12/2022 **PVD:** 10/3/2022  
**From:** Laura Craig  
 Swanson-Girard & Associates  
 10420 Southern Loop Blvd  
 Pineville, NC 28134  
**Phone:** **Fax:** (704)521-8801

**Attn:**

**Outdoor Next To Building**

**NSF APPROVED**

***Bally Prefabricated Exterior Dimensions:***

23'-6<sup>3</sup>/<sub>4</sub>"(l\*) x 8'-2<sup>3</sup>/<sub>4</sub>"(w\*) x 8'-6"(h)  
 2 Compartments 1 Tiers With Floor 4" Floor  
 Ceiling: Single Span

***Panel Thickness:***

4 in. Exterior Vertical Used (7'-10") with 4 in. Partition, 4 in. Floor, 4 in. Ceiling

***Details and specifications for Quote No:*** 2744-001-R03-LC

***Comments:***

***Base Finish***

Vertical and Ceiling Panels: Embossed Galvalume (26 GA)

***Special Finishes:***

- Exterior Door - Embossed Tan
- Exterior Door Frame - Embossed Tan
- Exterior Floor - Embossed Tan
- Interior Floor - Aluminum Treadplate .125" Thick
- Wall 1 - Exterior Verticals - Embossed Tan
- Wall 2 - Exterior Verticals - Embossed Tan
- Wall 3 - Exterior Verticals - Embossed Tan
- Wall 4 - Exterior Verticals - Embossed Tan

***Doors/Openings:***

- Wall 2 Door 1 (1) 36" x 78" Hinged Door In a 46"
- Wall 2 Door 1 (1) Ext.Alum Diam/Tread Ramp (30-36" Door)
- Wall 2 Door 1 (1) Locking Bar (2 piece) ( with Release)
- Wall 2 Door 1 (1) Strip Curtain (36" Door and Under)
- Wall 2 Door 1 (1) Super Door 36" Wide and Under, 30" High
- Wall 2 Door 1 (1) Tamperproof Screws (per door) - Non Prison
- Partition 1 Door 1 (1) 30" x 78" Hinged Door In a 46"
- Partition 1 Door 1 (1) Bally Standard Pressure Relief Port (< 400 sq/ft)
- Partition 1 Door 1 (1) Super Door 36" Wide and Under, 30" High

***Accessories and Extras:***



**Bally Refrigerated Boxes, Inc.**  
**Morehead City, NC 28557 (800) 242-2559**

**Last Update:** 10/12/2022  
**Revisor:** Laura Craig  
**To:** All Bidders

**Quote No:** 2744-001-R03-LC  
**Item No:**  
**Job Name:** Buford Middle School  
**Date:** 10/12/2022 **PVD:** 10/3/2022  
**From:** Laura Craig  
 Swanson-Girard & Associates  
 10420 Southern Loop Blvd  
 Pineville, NC 28134  
**Phone:** **Fax:** (704)521-8801

**Attn:**

- (3) 48" LED KEIL 48x754-CL-N Light  
 - 40° F to 100° F(Range)
- (67) L/F REB(Reinforced Exterior Bottom)'s
- (209) S/F Outdoor Membrane Roof  
 40 mil standard
- (209) S/F Tapered Insul 1/8" on 12"  
 (1) The loads are 26 Lbs psf live and 115 Mph RC II Wind. The customer must verify that the loads shown on this quote comply with local building codes.
- (28) WA-3 Wall Anchor  
 Outside Vertical 4"
- (8) WA-4 Wall Anchor  
 Outside Corner 4"

**Floor Options:**

- (209) S/F 1/2" Plywood Foamed in Panel

**Refrigeration:**

- (1) BEZA 007 H8 HS2DB (208-230/1/60) w/ smart speed  
 Scroll Unit 7190 BTU
- (1) BEZA 020 L8 HS2D (208-230/1/60) w/ smart speed  
 Includes defrost contactor for 1 Evap.
- (1) BLP207LE-S2D 208-230/1/60  
 2 Fan 7160 BTU/h
- (1) BLP209-MA-S1D 115/1/60  
 2 Fan 8700 BTU/h
- (1) Refrigeration is calculated for standard use at a box temperature of 35° F. for the cooler and -10° F. for the freezer with a condensing unit ambient of 105° F.
- (1) Time Clock 8145 (shipped loose) 115/1/60

**Estimated Shipping:**

**Weight:** 6,731.35  
**Destination:** Lancaster, SC, 29720





**Bally Refrigerated Boxes, Inc.**  
**Morehead City, NC 28557 (800) 242-2559**

**Last Update:** 10/12/2022  
**Revisor:** Laura Craig  
**To:** All Bidders

**Quote No:** 2744-001-R03-LC  
**Item No:**  
**Job Name:** Buford Middle School  
**Date:** 10/12/2022 **PVD:** 10/3/2022  
**From:** Laura Craig  
 Swanson-Girard & Associates  
 10420 Southern Loop Blvd  
 Pineville, NC 28134

**Attn:**

**Phone:** **Fax:** (704)521-8801

**Deviations (Alternates, Remarks, Clarifications, Etc.):**

Bally Floor Panels are capable of supporting up to 800 lbs. Per Sq/Ft uniformly distributed stationary loading. Bally does not recommend the use rolling loads of heavy carts, pallet jacks or fork lifts on top of the floors. Warranty for floors subjected to this type of use would not be covered by Bally.

**Exclusions (Items Not Supplied by Bally):**

- |   |  |
|---|--|
| <input checked="" type="checkbox"/> Shelving, Racks, Interior Accessories | <input checked="" type="checkbox"/> Caulking and Sealants                    |
| <input type="checkbox"/> Labor on Warranties                              | <input type="checkbox"/> Refrigeration Systems                               |
| <input checked="" type="checkbox"/> Alarm Systems                         | <input checked="" type="checkbox"/> Refrigeration Accessories                |
| <input checked="" type="checkbox"/> Supervision                           | <input checked="" type="checkbox"/> Closure Panel and Trim                   |
| <input checked="" type="checkbox"/> Tubing, Wiring for Rfg. Equipment     | <input checked="" type="checkbox"/> Sleeves, Penetrations, Escutcheon Plates |
| <input checked="" type="checkbox"/> Compressor Rack                       | <input checked="" type="checkbox"/> Floor Insulation and Vapor Barrier       |

**Cancelled Orders:** Cancelled unshipped standard walk-ins will be charged a 30% restocking fee plus the cost of special panels. Cancelled refrigeration systems will be charged a 30% restocking fee and the cost of any freight accrued. Buy-out items will be charged a 25% restocking fee plus any freight accrued.

**Agency Ratings:** Bally units comply or surpass applicable Flame Spread-25, UL, UL 723, & NSF standards in a manner conforming to ASTM E-84, and Factory Mutual standards.

**Quotation Limitations:** This quotation was based upon the specifications given to Bally which may possibly be incomplete. Bally is not responsible for items missing from the quotation due to incomplete or excluded items in the specifications received from the customer. The customer is responsible for reviewing the quotation for omissions or deviations from the specifications given to Bally. All portions of the quotation are subject to revision upon receipt of detailed specifications or if changes are made following the delivery of the original quotation. Quotations expire on the date indicated on Page 1 of the Quote. Approval drawings must be returned within 60 days of receipt of the purchase order. The order must ship within the agreed upon time frames or current lead times, but no later than 7 months. Any deviations to this quotation (dimensions or specification changes) will require updated pricing.

**Panel Construction:** Bally Panels are manufactured with environmentally friendly HFC 245-FA polyurethane foam. This polyurethane foam offers the highest thermal insulation value and the most energy efficiency per cubic inch in comparison to similar foams. It has a zero Ozone Depletion Potential (ODP) and a low Global Warming Potential (GWP). It is not considered a Volatile Organic Compound (VOC) in the US. Standard 4" Bally panels meet the 2009 Federal Energy Standards.

**Refrigerants:** Unless otherwise specified, refrigeration systems are quoted with environmentally friendly HFO R448A refrigerant. It has a Low Global Warming Potential (GWP) and the EPA lists it as an acceptable substitute for R404A and other high GWP refrigerants.

**Automatic Door Closers:** Bally includes automatic door closers and spring loaded hinges on all doors 42" wide and smaller as a standard feature with no additional charge that meet the 2009 Federal Energy Standards.

**Motors:** Bally units are quoted with EC and PSC motors in compliance with federal energy standards, for increased energy savings.

**Lighting:** Bally units are quoted with lighting in compliance with federal Energy Standards for increased energy savings.

**Optional Features:** Bally offers additional optional energy-saving features such as Walk-In Alarm & Light Management systems that comply or surpass the 2009 Federal energy regulations.



**Bally Refrigerated Boxes, Inc.**  
**Morehead City, NC 28557 (800) 242-2559**

*Last Update:* 10/12/2022  
*Revisor:* Laura Craig  
*To:* All Bidders

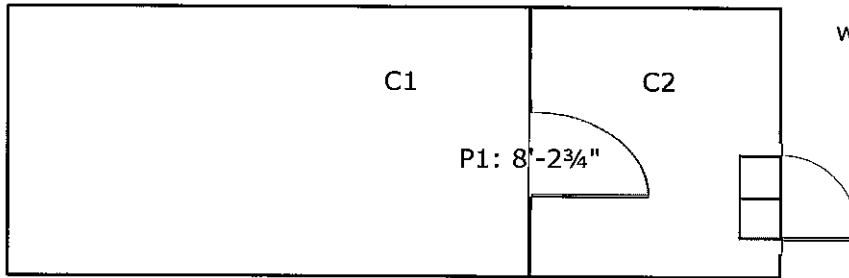
*Quote No:* 2744-001-R03-LC  
*Item No:*  
*Job Name:* Buford Middle School  
*Date:* 10/12/2022 *PVD:* 10/3/2022  
*From:* Laura Craig  
 Swanson-Girard & Associates  
 10420 Southern Loop Blvd  
 Pineville, NC 28134  
*Phone:* *Fax:* (704)521-8801

*Attn:*

This drawing is for reference purposes only and it not intended to be a formal scale model.

w3: 23'-6¾"

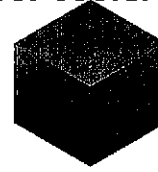
w4: 8'-2¾"



w1: 23'-6¾"

DOOR 1: Wall2 36" x 78" Hinged Door In a 46" Centered Hinge:Left Orientaion:Regular  
 PARTITION 1: Wall 1 Offset:7'-8" from wall 2 Partition Length:8'-2¾"  
 PARTITION DOOR 1: Partition1 30" x 78" Hinged Door In a 46" Offset:4'-0" from wall 2 Hinge:Left

## Buford Middle School Cooler LOAD CALCULATION



COOLING REQUIREMENTS									
Application	General Walk-in Cooler			Location	Outdoor Warm				
Internal Temp	35 °F	Internal RH	84%	External Temp	95 °F	External RH	55%		
Wall Load	859 BTUH	Infiltration	2,140 BTUH	Products	367 BTUH	Miscellaneous	639 BTUH		
	21%		53%		9%		16%		
WALL, FLOOR AND CEILING LOADS									
Section	Construction	Thickness (in)	K Factor	R Value	Ext Temp (°F)	Dim 1 (ft)	Dim 2 (ft)	Area (ft²)	Load (BTUH)
Rear	Urethane, Standard panels	4.000	0.14	28.11	35.0	8.20	8.50	50	
	Door			15.00	35.0	3.00	6.50	20	
Right End	Urethane, Standard panels	4.000	0.14	28.11	99.0	8.20	8.50	70	159
Front	Urethane, Standard panels	4.000	0.14	28.11	99.0	8.20	8.50	50	114
	Door			15.00	99.0	3.00	6.50	20	83
Left End	Urethane, Standard panels	4.000	0.14	28.11	99.0	8.20	8.50	70	159
Floor	Insulated Floor - Panels On Concrete On Grade	10.000	0.31	32.32		8.20	8.20	67	179
Ceiling	Urethane, Standard panels	4.000	0.14	28.11	104.0	8.20	8.20	67	165
<b>VOLUME (ft³)</b>		<b>572</b>	<b>TOTAL WALL, FLOOR AND CEILING LOAD</b>					<b>859</b>	
INFILTRATION LOAD : ESTIMATED BY VOLUME AND USAGE									
Box Usage	Internal Temp (°F)	Internal Rh (%)	External Temp (°F)	External Rh (%)	Ventilation (CFM)	Load (BTUH)			
Heavy	35	84	95	55		2,140			
PRODUCT LOADS									
Type			Weight (lb)	Enter Temp (°F)	Final Temp (°F)	Pull Down (hrs)	Load (BTUH)		
General, Mixed Products, Approximation			1,143	45.0	35.0	24	367		
<b>TOTAL PRODUCT WEIGHT (lbs)</b>			<b>1,143</b>	<b>TOTAL PRODUCT LOAD</b>			<b>367</b>		
MISCELLANEOUS LOADS									
Quantity	Description			Power	Units	Run Time (hrs)	Load (BTUH)		
	LIGHTING			1	W/ft²	24	229		
2	EVAPORATOR MOTORS			60	W	24	409		
<b>TOTAL MISCELLANEOUS LOAD</b>							<b>639</b>		
SYSTEM DESIGN SUMMARY									
Design Load (BTUH)	Safety Factor	Safety Load (BTUH)	Run Time (Hours)	Capacity Required (BTUH)	Refrigerant	Line Frequency (Hz)	Design TD (°F)	Line Loss (°F)	Condenser Ambient (°F)
4,004	10%	4,405	16	6,607	R448A	60	10.1	0.5	105
SYSTEM EQUIPMENT SELECTION									
Equipment Type	Quantity	Model Number	Description			Voltage	Rating (BTUH)		
Condensing Unit	1	BEZA007H8-HS2D	EZ-Line Scroll Condensing Units-Air			208-230/1/60	6,591		
Evaporator	1	BLP209MA-S1D	Low Profile Evaporator			115/1/60	8,843		
SYSTEM BALANCE									
Fan Load (BTUH)	Suction Temp (°F)		Evaporator TD (°F)		System Capacity (BTUH)				
	26.6		7.9		6,892				



**NATIONAL REFRIGERATION AND  
AIR CONDITIONING CANADA CORP.**  
159 ROY BLVD, PO BOX 2020  
BRANTFORD, ON  
CANADA N3T 5Y6

**BEZA007H8-HS2D**

**EZ-LINE SCROLL  
CONDENSING UNITS-AIR**

PURCHASER :

SUBMITTED BY : **Laura Craig**

PROJECT : **Buford Middle School SC**

DATE : **11 Oct 2022**

ORDER # : **06338.47502.00469-A00**

ITEM # : **1**

QUOTE # : **Q10EULCA-A**

ID # :

PURCHASER'S PO # :

TAGGING :

**MODEL FEATURES**

- 3/8" Tubing coil construction (reduces refrigerant operating charge)
- Anti-short cycle time delay
- Adjustable pressure fan cycling control on 2 fan models only
- Copper tubing secured with cushion clamps
- Crankcase heater
- Discharge line temperature sensor
- Fan Guard
- Fan motors are inherently protected with internal overloads
- Pre-formed piping
- Receiver with fusible plug and liquid shut off valve
- Suction Service valve
- Adjustable flooded head pressure control (unless otherwise indicated)
- Units are shipped with Helium holding charge
- Weatherproof electrical control box with compressor contactor and fused control circuit
- Welded hermetic Scroll compressor
- Adjustable low pressure control with flex hose / fixed high pressure control
- ECM with SmartSpeed Technology
- High efficiency enhanced copper tube and aluminium fin coil design
- Compatible with Low GWP Refrigerants
- Outdoor weatherproof pre-painted steel cabinet

**MODEL OPTIONS ( \* = Shipped Loose )**

- OPTION PACKAGES**
- Small B (Good@Warm/Moderate)  
 Small N (Better@Warm/Moderate)  
 Small P (Best@Warm/Moderate)  
 Small D (Good@Moderate/Cold)  
 Small J (Better@Moderate/Cold)  
 Small Q (Best@Moderate/Cold)  
 Small K  
 Small H
- 115V Control Circuit**
- ADJUSTABLE PRESSURE CONTROLS**  
 Johnson Dual with flex hose  
 Separate High/Low  
 Separate High/Low: MAN Reset on HP
- BALL VALVE**  
 \*Liquid Line  
 Liquid Line  
 \*Suction Line  
 Suction Line
- CAPACITY CONTROL - HOT GAS BYPASS**  
 To Inlet of Evaporator  
 To Suction Line
- Compressor Circuit Breaker**
- CONDENSING UNIT PRISON PACKAGE**  
 Tamper Proof Screws
- Crankcase Pressure Regulator**
- CONTACTORS**  
 30A Contactor  
 40A Contactor  
 60A Contactor
- DEFROST KIT (USE W/KE2 EVAP EFF)**  
 Up to 30A per Evap  
 35A to 50A per Evap  
 Over 50A per Evap
- Discharge Air Hood**
- Discharge Line Check Valve**
- DISCONNECT SWITCH**  
 Fused  
 Non-Fused
- EC FAN MOTORS + SPEED CONTROLLER**  
 All Motors Variable Speed - 230V Units
- ELECTRONIC PRESSURE CONTROL**  
 Low Pressure Control  
 High Pressure Control
- Export Crating**
- EXTENDED 4-YEAR COMPRESSOR WARRANTY**  
 Copeland
- Extended Leg Kit**
- COIL COATING**  
 E-Coat
- FIN MATERIAL**  
 Gold Coat Fins  
 Copper Fins
- Hail Guard for Condenser**
- Heated and Insulated Receiver**
- HOUSING MATERIAL**  
 Stainless Steel
- Insulated Suction Line**
- LIQUID LINE FILTER + SIGHT GLASS**  
 Sealed  
 Replaceable
- Liquid Line Lock-Out Relay**
- LIQUID LINE SOLENOID VALVE**  
 \*Standard 230V Coil  
 \*Standard 115V Coil
- OIL SEPARATOR**  
 With Oil Filter and Solenoid
- One Time Pump Down**
- Oversized Receiver**
- Pump Down Toggle Switch**
- QuickVac Valves**
- Receiver Inlet Ball Valve**
- Single Point Electrical**
- SUCTION ACCUMULATOR**  
 With Heat Exchanger  
 Without Heat Exchanger
- SUCTION FILTER**  
 Sealed Type  
 Replaceable Core
- TIME CLOCK**  
 Paragon 8145 Style  
 \*230V Paragon 8145 Style  
 \*115V Paragon 8145 Style
- Wind Guard**
- Less Flooding Valve(s)**

VOLTAGE		SYSTEM REFRIGERANT		RATING	SUCTION TEMP	AMBIENT TEMP	CAPACITY			
208-230/1/60		R448A		0.7Hp	26.6 °F	105 °F	6892 BTUH			
FANS			COMPRESSOR			CIRCUIT TOTAL				
QTY	POWER	FLA/FAN	TYPE	QTY	RLA	LRA	AMPS	WATTS	MCA†	MOP‡
1	100W	1	ZB06KAE-PFV	1	6	36	7		8.5	15
LIQUID		3/8 in	SOUND	-	REC CAPACITY	5 lb		APPROVALS		
SUCTION		5/8 in	WEIGHT	183 lb	REF CHARGE	3 lb				

**NOTES:**

† MCA.. Minimum Circuit Ampacity, ‡ MOP.. Maximum Overcurrent Protection  
MCA & MOP are for the condensing unit ONLY. Single point connections WILL show different on dataplate.  
AWEF = 7.6 for R404A/R507/R407A/R448A/R449A. Non-compliant DOE NRCAN model for all other refrigerants



**APPROVED BY :**

**DATE :**

Approval of this drawing signifies that the equipment is acceptable under the provision of the job specifications. Any change made hereon by any person whomsoever subject to acceptance by NATIONAL REFRIGERATION at its home office.



**NATIONAL REFRIGERATION AND  
AIR CONDITIONING CANADA CORP.**

159 ROY BLVD, PO BOX 2020  
BRANTFORD, ON  
CANADA N3T 5Y6

**BEZA007H8-HS2D**

**EZ-LINE SCROLL  
CONDENSING UNITS-AIR**

PURCHASER :

SUBMITTED BY : **Laura Craig**

PROJECT : **Buford Middle School SC**

DATE : **11 Oct 2022**

ORDER # : **06338.47502.00469-A00**

ITEM # : **1**

QUOTE # : **Q10EULCA-A**

ID # :

PURCHASER'S PO # :

TAGGING :

**SELECTED OPTION DESCRIPTIONS**

**Liquid Line Filter + Sight Glass - Sealed**

Sporlan C Series with ODF solder connections and Sporlan SA moisture indicator factory installed in liquid line.

**Option Packages - Small B (Good@Warm/Moderate)**

LLFD+SG

**Time Clock - 115V Paragon 8145 Style**

115V Defrost timer is time initiated, temperature or pressure terminated with a timed failsafe. Timer is shipped loose in a box for field installation.

Approval of this drawing signifies that the equipment is acceptable under the provision of the job specifications. Any change made hereon by any person whomsoever subject to acceptance by NATIONAL REFRIGERATION at its home office.



**NATIONAL REFRIGERATION AND  
AIR CONDITIONING CANADA CORP.**

159 ROY BLVD, PO BOX 2020  
BRANTFORD, ON  
CANADA N3T 5Y6

Order Item No: 1  
**BEZA007H8-HS2D**

**EZ-LINE SCROLL  
CONDENSING UNITS-AIR**

DATE : 11 Oct 2022

PURCHASER :

PROJECT : **Buford Middle School, SC**

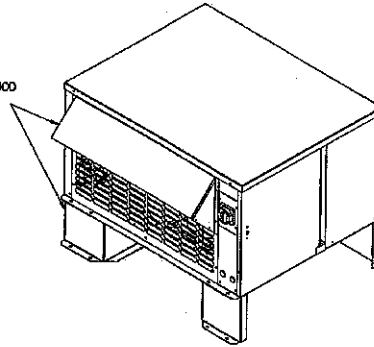
SUBMITTED BY : **Laura Craig**

NATIONAL REFRIGERATION will furnish equipment in accordance with this drawing and specifications, and subject to its published warranty. Approval of this drawing signifies that the equipment is acceptable under the provision of the job specifications. Any change made hereon by any person whomsoever subject to acceptance by NATIONAL REFRIGERATION at its home office.

Dimensions shown are for standard unit less options.

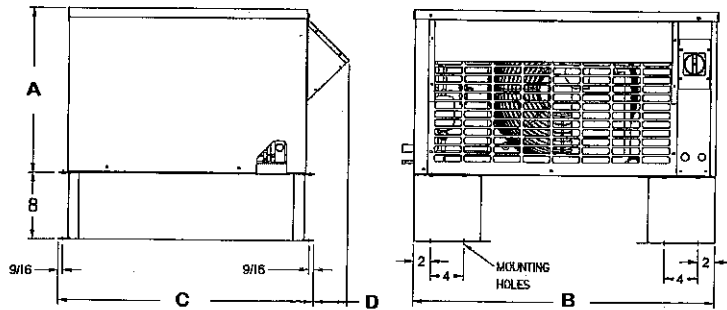
DIMENSIONS	
DIMENSION A	19 3/8 in
DIMENSION B	24 7/8 in
DIMENSION C	30 3/8 in
DIMENSION D	4 in
DIMENSION E	
DIMENSION F	
DIMENSION G	0 in
DIMENSION H	

OPTIONAL AIR  
DISCHARGE HOOD  
AND LEGS



CONNECTIONS	
LIQUID	3/8 in
SUCTION	5/8 in
DRAIN	
WATER	
DISCHARGE	
PAN LOOP	
HOT GAS SIDE PORT	
HOT GAS INLET	
HOT GAS OUTLET	
OTHER	
SHIPPING WEIGHT	183 lb
REFRIGERANT CHARGE	3 lb
RECEIVER CAPACITY	5 lb

APPROVALS			



**NOTES:**

AWEF = 7.6 for R404A/R507/R407A/R448A/R449A. Non-compliant DOE NRCAN model for all other refrigerants



**NATIONAL REFRIGERATION AND  
AIR CONDITIONING CANADA CORP.**

159 ROY BLVD, PO BOX 2020  
BRANTFORD, ON  
CANADA N3T 5Y6

**BLP209MA-S1D**

**LOW PROFILE  
EVAPORATOR**

PURCHASER :

SUBMITTED BY : **Laura Craig**

PROJECT : **Buford Middle School SC**

DATE : **11 Oct 2022**

ORDER # : **06338.47502.00469-A00**

ITEM # : **3**

QUOTE # : **Q10EULCA-A**

ID # :

PURCHASER'S PO # :

TAGGING :

**MODEL FEATURES**

- 3/8" Tubing coil construction (reduces refrigerant operating charge)
- Factory installed solenoid valve wire harness
- Heavy gauge textured aluminum cabinet construction resists scratches/corrosion
- Spacious piping end compartment allows for easy assembly

- Hinged drain pan with central universal drain connection (3/4" drain)
- Front access to spacious electrical and header compartments
- Schrader connection on suction header
- Attractive and durable high density polyethylene fan guards
- Ultra efficient Electronically Commutated Motor (ECM)

- ECM with SmartSpeed Technology
- High efficiency enhanced copper tube and aluminium fin coil design
- 6 FPI
- AWEF = 9.0
- Unit Cooler is AWEF/NRCAN compliant with R404A/R507/R448A/R449A/R407A/R407C

**MODEL OPTIONS ( \* = Shipped Loose )**

**PRE-ASSEMBLED EVAP**

- SmartVap+ with EEV + Solvlv
- Sporlan TXV, LLSV,T-stat
- KE2 Evap Efficiency w/Sporlan EEV
- \*KE2 Evap Efficiency w/Sporlan EEV

**Aux Sideport Connector**

**CABINET FINISH**

- Painted White
- Stainless Steel

**SENSORS FOR CPC BOARDS**

- Coil Temp Sensor
- Return Air Temp Sensor

**DEMAND DEFROST ELECTRONIC CONTROLLER**

- KE2 Therm Evaporator Efficiency
- \*KE2 Therm Evaporator Efficiency

**Dual Circuit**

- KE2 Temp+Defrost
- SmartVap+ Control Board and Display

**EXPANSION VALVE**

- 1 Sporlan TXV
- Sporlan EEV
- EEV for SmartVap+

**Evaporator Disconnect Switch**

**EVAPORATOR PRISON PACKAGE**

- Tamper Proof Screws

**Export Crating**

**COIL COATING**

- E-Coat

**FIN MATERIAL**

- Gold Coat Fins
- Copper Fins

**Insulated Drain Pan**

**KE2 THERM**

- \*CAT5e Shielded Cable - 50ft w/connectors
- 40' Leads on Sensors + Transducers
- Ethernet Adapter Kit
- \*Remote Combo Display
- \*Liquid / Suction Heat Exchanger

**LIQUID LINE SOLENOID VALVE**

- 1 Sporlan
- Dual Voltage Coil 120-230V Field Wired

**Nitrogen Charged and Sealed ROOM THERMOSTATS**

- 1 Mechanical
- \*Mechanical
- \*Johnson A19ABC
- \*Johnson A421ABC-02C
- Johnson A421ABC-02

**Wire Fan Guards**

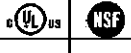
**REMOTE DEFROST PANEL**

- \*230V Control
- \*115V Control

**INSTALLATION REQUIREMENTS**

- 1 Minimum slope of 1" per foot on all drain lines
- 1 P-trap per evap required outside of box

VOLTAGE		SYSTEM REFRIGERANT		AIR FLOW	EVAP. TEMP	BOX TEMP	CAPACITY
115/1/60		R448A		1500 CFM	27.1 °F	35 °F	6892 BTUH
FANS			HEATERS			CIRCUIT TOTAL	
QTY	POWER	FLA/FAN	TYPE	QTY	AMPS	AMPS	WATTS
2	0.07HP	1				2	120
DISTRIBUTOR		3/8 in	SOUND	-	REC CAPACITY	APPROVALS	
SUCTION		7/8 in	WEIGHT	70 lb	REF CHARGE	1 lb	



NOTES:  
† MCA.. Minimum Circuit Ampacity, ‡ MOP.. Maximum Overcurrent Protection

APPROVED BY :

DATE :

Approval of this drawing signifies that the equipment is acceptable under the provision of the job specifications. Any change made hereon by any person whomsoever subject to acceptance by NATIONAL REFRIGERATION at its home office.



**NATIONAL REFRIGERATION AND  
AIR CONDITIONING CANADA CORP.**  
159 ROY BLVD, PO BOX 2020  
BRANTFORD, ON  
CANADA N3T 5Y6

**BLP209MA-S1D**

**LOW PROFILE  
EVAPORATOR**

PURCHASER :

SUBMITTED BY : **Laura Craig**

PROJECT : **Buford Middle School SC**

DATE : **11 Oct 2022**

ORDER # : **06338.47502.00469-A00**

ITEM # : **3**

QUOTE # : **Q10EULCA-A**

ID # :

PURCHASER'S PO # :

TAGGING :

**SELECTED OPTION DESCRIPTIONS**

**Expansion Valve - Sporlan TXV**

May be Type EBQ, S, SBF, O externally equalized thermostatic expansion valve. Valves are selected using the specified capacity and operating conditions of the refrigeration system as specified on the accompanying Certified Prints.

**Installation Requirements - Minimum slope of 1" per foot on all drain lines**

Bally recommends a minimum slope of 1" per foot on all drain lines.

**Installation Requirements - P-trap per evap required outside of box**

All evaporators must be trapped individually outside of the box to prevent vapor migration back to coil surface.

**Liquid Line Solenoid Valve - Sporlan**

Sporlan solenoid coil voltage matches evaporator voltage except when evaporator is 460V, then 230V solenoid coil is used. Exceptions must be clearly explained in the Notes of the option.

**Pre-assembled Evap - Sporlan TXV, LLSV, T-stat**

Option Package consists of factory installed Sporlan balance port TXV, Sporlan liquid line solenoid valve and Johnson Controls A19 Room thermostat.

**Room Thermostats - Mechanical**

Single stage temperature control with Single-Pole, Double-Throw (SPDT) mechanical switch. May be Johnson A19 or equal, Operating range of -30°F to +100°F. Adjustable differential of 3°F to 12°F. Factory installed and wired.

Approval of this drawing signifies that the equipment is acceptable under the provision of the job specifications. Any change made hereon by any person whomsoever subject to acceptance by NATIONAL REFRIGERATION at its home office.





**NATIONAL REFRIGERATION AND AIR CONDITIONING CANADA CORP.**

159 ROY BLVD, PO BOX 2020  
BRANTFORD, ON  
CANADA N3T 5Y6

Order Item No: 3  
**BLP209MA-S1D**  
**LOW PROFILE**  
**EVAPORATOR**

NATIONAL REFRIGERATION will furnish equipment in accordance with this drawing and specifications, and subject to its published warranty. Approval of this drawing signifies that the equipment is acceptable under the provision of the job specifications. Any change made hereon by any person whomsoever subject to acceptance by NATIONAL REFRIGERATION at its home office.

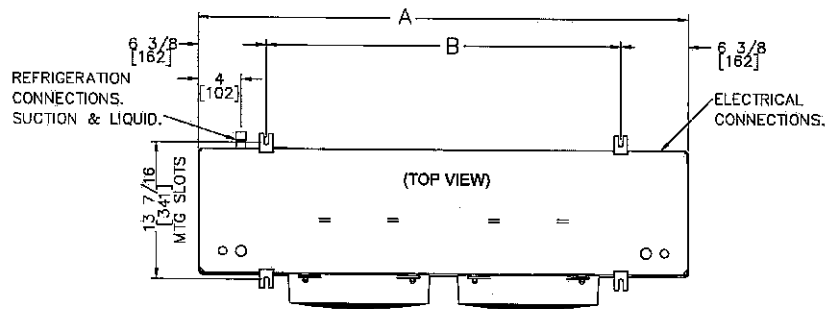
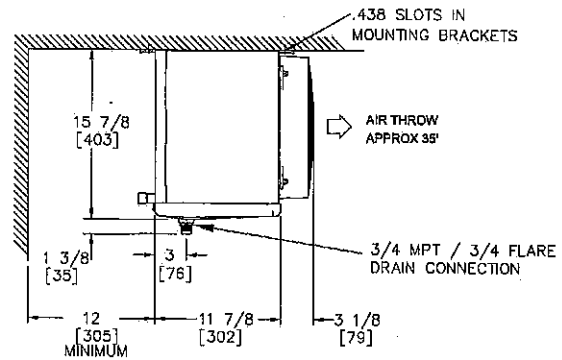
DATE : **11 Oct 2022**  
PURCHASER :  
PROJECT : **Burford Middle School SC**  
SUBMITTED BY : **Laura Craig**

Dimensions shown are for standard unit less options.

DIMENSIONS	
DIMENSION A	46 1/4 in
DIMENSION B	33 1/4 in
DIMENSION C	
DIMENSION D	
DIMENSION E	
DIMENSION F	
DIMENSION G	0 in
DIMENSION H	

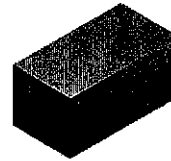
CONNECTIONS	
DISTRIBUTOR	3/8 in
SUCTION	7/8 in
DRAIN	3/4 in
WATER	
DISCHARGE	
PAN LOOP	
HOT GAS SIDE PORT	
HOT GAS INLET	
HOT GAS OUTLET	
OTHER	
SHIPPING WEIGHT	70 lb
REFRIGERANT CHARGE	1 lb
RECEIVER CAPACITY	

APPROVALS			



NOTES:

# Freezer LOAD CALCULATION



COOLING REQUIREMENTS									
Application	General Walk-in Freezer			Location	Outdoor Warm				
Internal Temp	-10 °F	Internal RH	95%	External Temp	95 °F	External RH	55%		
Wall Load	2,533 BTUH	Infiltration	640 BTUH	Products	196 BTUH	Miscellaneous	814 BTUH		
	61%		15%		5%		19%		
WALL, FLOOR AND CEILING LOADS									
Section	Construction	Thickness (in)	K Factor	R Value	Ext Temp (°F)	Dim 1 (ft)	Dim 2 (ft)	Area (ft²)	Load (BTUH)
Rear	Urethane, Standard panels	4.000	0.14	28.11	99.0	15.50	8.50	132	511
Right End	Urethane, Standard panels	4.000	0.14	28.11	45.0	8.30	8.50	51	100
	Door			15.00	45.0	3.00	6.50	20	71
Front	Urethane, Standard panels	4.000	0.14	28.11	99.0	15.50	8.50	132	511
Left End	Urethane, Standard panels	4.000	0.14	28.11	99.0	8.30	8.50	71	274
Floor	Insulated Floor - Panels On Concrete On Grade	10.000	0.31	32.32		15.50	8.30	129	546
Ceiling	Urethane, Standard panels	4.000	0.14	28.11	104.0	15.50	8.30	129	522
VOLUME (ft³)		1,094	TOTAL WALL, FLOOR AND CEILING LOAD				2,533		
INFILTRATION LOAD : ESTIMATED BY DOORS AND OPENINGS									
Quantity	Door or Opening Type	Height (in)	Width (in)	External Temp (°F)	External Rh (%)	Open Time (hrs)	Curtains	Load (BTUH)	
1	Door	78.00	36.00	45.0	55.0	0.18	None	640	
TOTAL INFILTRATION LOAD ESTIMATED BY DOORS AND OPENINGS								640	
PRODUCT LOADS									
Type	Weight (lb)	Enter Temp (°F)	Final Temp (°F)	Pull Down (hrs)	Load (BTUH)				
General, Mixed Products, Approximation	1,094	0.0	-10.0	24	196				
TOTAL PRODUCT WEIGHT (lbs)	1,094	TOTAL PRODUCT LOAD			196				
MISCELLANEOUS LOADS									
Quantity	Description	Power	Units	Run Time (hrs)	Load (BTUH)				
	LIGHTING	1	W/ft²	24	439				
2	EVAPORATOR MOTORS	60	W	22	375				
TOTAL MISCELLANEOUS LOAD								814	
SYSTEM DESIGN SUMMARY									
Design Load (BTUH)	Safety Factor	Safety Load (BTUH)	Run Time (Hours)	Capacity Required (BTUH)	Refrigerant	Line Frequency (Hz)	Design TD (°F)	Line Loss (°F)	Condenser Ambient (°F)
4,184	10%	4,602	18	6,136	R448A	60	10	0.5	105
SYSTEM EQUIPMENT SELECTION									
Equipment Type	Quantity	Model Number	Description			Voltage	Rating (BTUH)		
Condensing Unit	1	BEZA020L8-HS2D	EZ-Line Scroll Condensing Units-Air			208-230/1/60	6,384		
Evaporator	1	BLP207LE-S2D	Low Profile Evaporator			208-230/1/60	7,189		
SYSTEM BALANCE									
Fan Load (BTUH)	Suction Temp (°F)		Evaporator TD (°F)		System Capacity (BTUH)				
	-19.5		9		6,516				

**NATIONAL REFRIGERATION AND AIR CONDITIONING CANADA CORP.**159 ROY BLVD, PO BOX 2020  
BRANTFORD, ON  
CANADA N3T 5Y6**BEZA020L8-HS2D****EZ-LINE SCROLL  
CONDENSING UNITS-AIR**

PURCHASER :

SUBMITTED BY : **Laura Craig**PROJECT : **Buford Middle School SC**DATE : **11 Oct 2022**ORDER # : **06338.47502.00469-A00**ITEM # : **4**QUOTE # : **Q10EULCA-A**

ID # :

PURCHASER'S PO # :

TAGGING :

**MODEL FEATURES**

- 3/8" Tubing coil construction (reduces refrigerant operating charge)
- Anti-short cycle time delay
- Adjustable pressure fan cycling control on 2 fan models only
- Copper tubing secured with cushion clamps
- Crankcase heater
- Fan Guard

- Fan motors are inherently protected with internal overloads
- Pre-formed piping
- Receiver with fusible plug and liquid shut off valve
- Suction Service valve
- Adjustable flooded head pressure control (unless otherwise indicated)
- Units are shipped with Helium holding charge
- Weatherproof electrical control box with compressor contactor and fused control circuit

- Welded hermetic Scroll compressor
- Adjustable low pressure control with flex hose / fixed high pressure control
- ECM with SmartSpeed Technology
- High efficiency enhanced copper tube and aluminium fin coil design
- Compatible with Low GWP Refrigerants
- Outdoor weatherproof pre-painted steel cabinet

**MODEL OPTIONS ( \* = Shipped Loose )****OPTION PACKAGES**

- Small B (Good@Warm/Moderate)  
 Small N (Better@Warm/Moderate)  
 Small P (Best@Warm/Moderate)  
 Small D (Good@Moderate/Cold)  
 Small J (Better@Moderate/Cold)  
 Small Q (Best@Moderate/Cold)  
 Small K  
 Small H

**ELECTRIC DEFROST KIT**

- DFK-02

**115V Control Circuit****ADJUSTABLE PRESSURE CONTROLS**

- Johnson Dual with flex hose  
 Separate High/Low  
 Separate High/Low: MAN Reset on HP

**BALL VALVE**

- \*Liquid Line  
 Liquid Line  
 \*Suction Line  
 Suction Line

**CAPACITY CONTROL - HOT GAS BYPASS**

- To Inlet of Evaporator  
 To Suction Line

**Compressor Circuit Breaker****CONDENSING UNIT PRISON PACKAGE**

- Tamper Proof Screws

**Crankcase Pressure Regulator****CONTACTORS**

- 30A Contactor  
 40A Contactor  
 60A Contactor

**DEFROST KIT  
(USE W/KE2 EVAP EFF)**

- Up to 30A per Evap  
 35A to 50A per Evap  
 Over 50A per Evap

**Discharge Air Hood****Discharge Line Check Valve**

- Discharge Line Temperature Sensor

**DISCONNECT SWITCH**

- Fused  
 Non-Fused

**EC FAN MOTORS + SPEED CONTROLLER**

- All Motors Variable Speed - 230V Units

**ELECTRONIC PRESSURE CONTROL**

- Low Pressure Control  
 High Pressure Control

**Export Crating****EXTENDED 4-YEAR COMPRESSOR WARRANTY**

- Copeland

**Extended Leg Kit****COIL COATING**

- E-Coat

**FIN MATERIAL**

- Gold Coat Fins  
 Copper Fins

**Hail Guard for Condenser**

- Heated and Insulated Receiver

**HOUSING MATERIAL**

- Stainless Steel

**Insulated Suction Line**

- LIQUID LINE FILTER + SIGHT GLASS

- Sealed  
 Replaceable

- Liquid Line Lock-Out Relay

**LIQUID LINE SOLENOID VALVE**

- \*Standard 230V Coil  
 \*Standard 115V Coil

**OIL SEPARATOR**

- With Oil Filter and Solenoid

**One Time Pump Down****Oversized Receiver****Pump Down Toggle Switch****QuickVac Valves****Receiver Inlet Ball Valve****Single Point Electrical****Sub Cooling Circuit****SUCTION ACCUMULATOR**

- With Heat Exchanger  
 Without Heat Exchanger

**SUCTION FILTER**

- Sealed Type  
 Replaceable Core

**TIME CLOCK**

- Paragon 8145 Style  
 \*230V Paragon 8145 Style  
 \*115V Paragon 8145 Style

**Wind Guard**

- Less Flooding Valve(s)

VOLTAGE		SYSTEM REFRIGERANT		RATING	SUCTION TEMP	AMBIENT TEMP	CAPACITY			
208-230/1/60		R448A		2Hp	-19.5 °F	105 °F	6516 BTUH			
FANS			COMPRESSOR			CIRCUIT TOTAL				
QTY	POWER	FLA/FAN	TYPE	QTY	RLA	LRA	AMPS	WATTS	MCA†	MOP‡
1	100W	1	ZF07KAE-PFV	1	13.9	75	14.9		18.4	30
LIQUID	3/8 in	SOUND	-	REC CAPACITY	11 lb		APPROVALS			
SUCTION	7/8 in	WEIGHT	315 lb	REF CHARGE	4 lb					

**NOTES:**

† MCA.. Minimum Circuit Ampacity, ‡ MOP.. Maximum Overcurrent Protection  
MCA & MOP are for the condensing unit ONLY. Single point connections WILL show different on dataplate.  
AWEF = 3.1 for R404A/R507/ AWEF = 3.08 for R407A/R448A/R449A. Non-compliant DOE NRCAN model for all other refrigerants.



APPROVED BY :

DATE :

Approval of this drawing signifies that the equipment is acceptable under the provision of the job specifications. Any change made hereon by any person whomsoever subject to acceptance by NATIONAL REFRIGERATION at its home office.



**NATIONAL REFRIGERATION AND  
AIR CONDITIONING CANADA CORP.**  
159 ROY BLVD, PO BOX 2020  
BRANTFORD, ON  
CANADA N3T 5Y6

**BEZA020L8-HS2D**  
**EZ-LINE SCROLL**  
**CONDENSING UNITS-AIR**

PURCHASER :

SUBMITTED BY : **Laura Craig**

PROJECT : **Buford Middle School SC**

DATE : **11 Oct 2022**

ORDER # : **06338.47502.00469-A00**

ITEM # : **4**

QUOTE # : **Q10EULCA-A**

ID # :

PURCHASER'S PO # :

TAGGING :

**SELECTED OPTION DESCRIPTIONS**

**Electric Defrost Kit - DFK-02**

Electric Defrost Kit includes:

Mechanical Time Clock:

Time initiated temperature terminated with a timed failsafe.

Contactors:

Three pole definite purpose, 230V or 115V coil as defined by  
the control circuit voltage

HtrCont1x 40A

Fuse Blocks:

1x 30A (2P) Class CC

**Liquid Line Filter + Sight Glass - Sealed**

Sporlan C Series with ODF solder connections and Sporlan SA  
moisture indicator factory installed in liquid line.

**Option Packages - Small B (Good@Warm/Moderate)**

LLFD+SG

Approval of this drawing signifies that the equipment is acceptable under the provision of the job specifications. Any change made hereon by any person whomsoever subject to acceptance by NATIONAL REFRIGERATION at its home office.



**NATIONAL REFRIGERATION AND AIR CONDITIONING CANADA CORP.**

159 ROY BLVD, PO BOX 2020  
BRANTFORD, ON  
CANADA N3T 5Y6

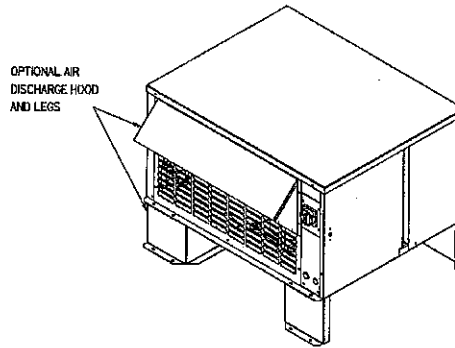
Order Item No: 4  
**BEZA020L8-HS2D**  
EZ-LINE SCROLL  
CONDENSING UNITS-AIR

NATIONAL REFRIGERATION will furnish equipment in accordance with this drawing and specifications, and subject to its published warranty. Approval of this drawing signifies that the equipment is acceptable under the provision of the job specifications. Any change made hereon by any person whomsoever subject to acceptance by NATIONAL REFRIGERATION at its home office.

DATE : 11 Oct 2022  
PURCHASER :  
PROJECT : **Buford Middle School SC**  
SUBMITTED BY : **Laura Craig**

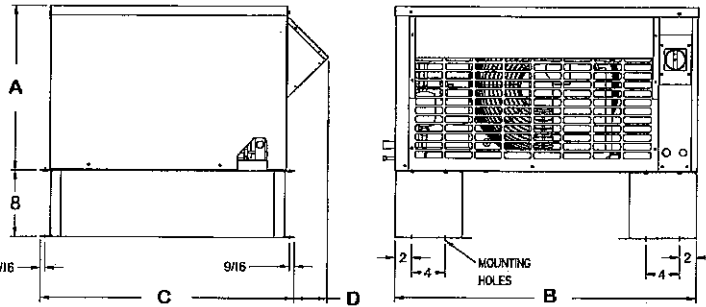
Dimensions shown are for standard unit less options.

DIMENSIONS	
DIMENSION A	19 3/8 in
DIMENSION B	24 7/8 in
DIMENSION C	30 3/8 in
DIMENSION D	4 in
DIMENSION E	
DIMENSION F	
DIMENSION G	0 in
DIMENSION H	



CONNECTIONS	
LIQUID	3/8 in
SUCTION	7/8 in
DRAIN	
WATER	
DISCHARGE	
PAN LOOP	
HOT GAS SIDE PORT	
HOT GAS INLET	
HOT GAS OUTLET	
OTHER	
SHIPPING WEIGHT	315 lb
REFRIGERANT CHARGE	4 lb
RECEIVER CAPACITY	11 lb

APPROVALS			



**NOTES:**

AWEF = 3.1 for R404A/R507/ AWEF = 3.08 for R407A/R448A/R449A. Non-compliant DOE NRCAN model for all other refrigerants

**NATIONAL REFRIGERATION AND AIR CONDITIONING CANADA CORP.**159 ROY BLVD, PO BOX 2020  
BRANTFORD, ON  
CANADA N3T 5Y6**BLP207LE-S2D****LOW PROFILE EVAPORATOR**

PURCHASER :

SUBMITTED BY : **Laura Craig**PROJECT : **Buford Middle School SC**DATE : **11 Oct 2022**ORDER # : **06338.47502.00469-A00**ITEM # : **5**QUOTE # : **Q10EULCA-A**

ID # :

PURCHASER'S PO # :

TAGGING :

**MODEL FEATURES**

- 3/8" Tubing coil construction (reduces refrigerant operating charge)
- Factory installed solenoid valve wire harness
- Heavy gauge textured aluminum cabinet construction resists scratches/corrosion
- Spacious piping end compartment allows for easy assembly

- Hinged drain pan with central universal drain connection (3/4" drain)
- Front access to spacious electrical and header compartments
- Schrader connection on suction header
- Attractive and durable high density polyethylene fan guards

- Ultra efficient Electronically Commutated Motor (ECM)
- ECM with SmartSpeed Technology
- High efficiency enhanced copper tube and aluminium fin coil design
- 6 FPI
- Unit Cooler is AWEF/NRCAN compliant with R404A/R507/R448A/R449A/R407A

**MODEL OPTIONS ( \* = Shipped Loose )****PRE-ASSEMBLED EVAP**

- SmartVap+ with EEV + Solvlv
- Sporlan TXV, LLSV,T-stat
- KE2 Evap Efficiency w/Sporlan TXV
- KE2 Evap Efficiency w/Sporlan EEV
- \*KE2 Evap Efficiency w/Sporlan TXV
- \*KE2 Evap Efficiency w/Sporlan EEV

**Aux Sideport Connector**

- Painted White
- Stainless Steel

**SENSORS FOR CPC BOARDS**

- Coil Temp Sensor
- Return Air Temp Sensor

**DEMAND DEFROST ELECTRONIC CONTROLLER**

- KE2 Adaptive Control
- \*KE2 Adaptive Control
- KE2 Therm Evaporator Efficiency
- \*KE2 Therm Evaporator Efficiency

**Dual Circuit****ELECTRONIC CONTROLLER**

- SmartVap+ Control Board and Display

**EXPANSION VALVE**

- Sporlan TXV
- Sporlan EEV
- EEV for SmartVap+

**EVAPORATOR PRISON PACKAGE**

- Tamper Proof Screws

**EXPORT CRATING****COIL COATING**

- E-Coat

**FIN MATERIAL**

- Gold Coat Fins
- Copper Fins

**Insulated Drain Pan****KE2 THERM**

- \*CAT5e Shielded Cable - 50ft w/connectors
- 40' Leads on Sensors + Transducers
- Ethernet Adapter Kit
- \*Remote Combo Display
- \*Liquid / Suction Heat Exchanger

**LIQUID LINE SOLENOID VALVE**

- Sporlan
- Dual Voltage Coil 120-230V Field Wired

**Nitrogen Charged and Sealed ROOM THERMOSTATS**

- Mechanical
- \*Mechanical
- \*Johnson A19ABC
- \*Johnson A421ABC-02C
- Johnson A421ABC-02

**Wire Fan Guards****REMOTE DEFROST PANEL**

- \*230V Control
- \*115V Control

**INSTALLATION REQUIREMENTS**

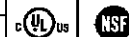
- Minimum slope of 1" per foot on all drain lines
- P-trap per evap required outside of box
- Insulated drain line requires heat - 20W/ft

VOLTAGE		SYSTEM REFRIGERANT		AIR FLOW	EVAP. TEMP	BOX TEMP	CAPACITY
208-230/1/60		R448A		1500 CFM	-19 °F	-10 °F	6516 BTUH
FANS			HEATERS			CIRCUIT TOTAL	
QTY	POWER	FLA/FAN	TYPE	QTY	AMPS	AMPS	WATTS
2	0.07HP	0.6				1.2	120
DEFROST HTRS					8.2		1890
							10.3
							15

DISTRIBUTOR	3/8 in	SOUND	-	REC CAPACITY		APPROVALS
SUCTION	7/8 in	WEIGHT	76 lb	REF CHARGE	1 lb	

## NOTES:

† MCA.. Minimum Circuit Ampacity, ‡ MOP.. Maximum Overcurrent Protection



APPROVED BY :

DATE :

Approval of this drawing signifies that the equipment is acceptable under the provision of the job specifications. Any change made hereon by any person whomsoever subject to acceptance by NATIONAL REFRIGERATION at its home office.



**NATIONAL REFRIGERATION AND  
AIR CONDITIONING CANADA CORP.**

159 ROY BLVD, PO BOX 2020  
BRANTFORD, ON  
CANADA N3T 5Y6

**BLP207LE-S2D**

**LOW PROFILE  
EVAPORATOR**

PURCHASER :

SUBMITTED BY : **Laura Craig**

PROJECT : **Buford Middle School SC**

DATE : **11 Oct 2022**

ORDER # : **06338.47502.00469-A00**

ITEM # : **5**

QUOTE # : **Q10EULCA-A**

ID # :

PURCHASER'S PO # :

TAGGING :

**SELECTED OPTION DESCRIPTIONS**

**Expansion Valve - Sporlan TXV**

May be Type EBQ, S, SBF, O externally equalized thermostatic expansion valve. Valves are selected using the specified capacity and operating conditions of the refrigeration system as specified on the accompanying Certified Prints.

**Installation Requirements - Insulated drain line requires heat - 20W/ft**

Freezer condensate drain lines must be insulated and heated with a minimum of 20 watts per foot.

**Installation Requirements - Minimum slope of 1" per foot on all drain lines**

Bally recommends a minimum slope of 1" per foot on all drain lines.

**Installation Requirements - P-trap per evap required outside of box**

All evaporators must be trapped individually outside of the box to prevent vapor migration back to coil surface.

**Liquid Line Solenoid Valve - Sporlan**

Sporlan solenoid coil voltage matches evaporator voltage except when evaporator is 460V, then 230V solenoid coil is used. Exceptions must be clearly explained in the Notes of the option.

**Pre-assembled Evap - Sporlan TXV, LLSV,T-stat**

Option Package consists of factory installed Sporlan balance port TXV, Sporlan liquid line solenoid valve and Johnson Controls A19 Room thermostat.

**Room Thermostats - Mechanical**

Single stage temperature control with Single-Pole, Double-Throw (SPDT) mechanical switch. May be Johnson A19 or equal, Operating range of -30°F to +100°F. Adjustable differential of 3°F to 12°F. Factory installed and wired.

Approval of this drawing signifies that the equipment is acceptable under the provision of the job specifications. Any change made hereon by any person whomsoever subject to acceptance by NATIONAL REFRIGERATION at its home office.



**NATIONAL REFRIGERATION AND AIR CONDITIONING CANADA CORP.**

159 ROY BLVD, PO BOX 2020  
BRANTFORD, ON  
CANADA N3T 5Y6

Order Item No: 5  
**BLP207LE-S2D**

**LOW PROFILE EVAPORATOR**

DATE : 11 Oct 2022

PURCHASER :

PROJECT : **Buford Middle School SC**

SUBMITTED BY : **Laura Craig**

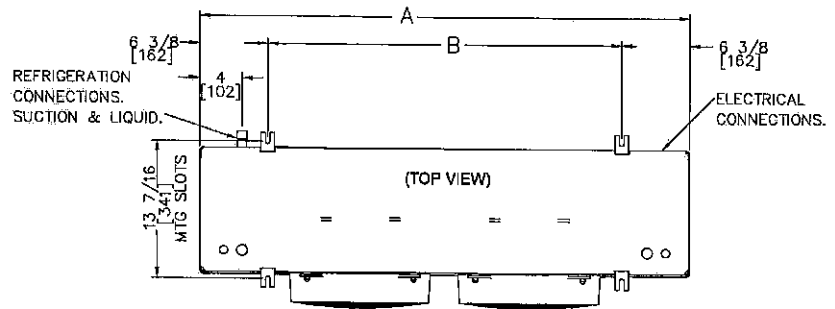
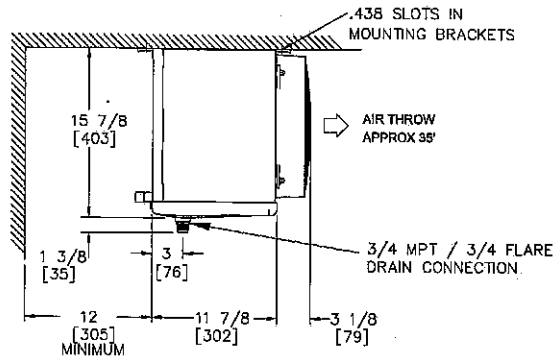
NATIONAL REFRIGERATION will furnish equipment in accordance with this drawing and specifications, and subject to its published warranty. Approval of this drawing signifies that the equipment is acceptable under the provision of the job specifications. Any change made hereon by any person whomsoever subject to acceptance by NATIONAL REFRIGERATION at its home office.

Dimensions shown are for standard unit less options.

DIMENSIONS	
DIMENSION A	46 1/4 in
DIMENSION B	33 1/4 in
DIMENSION C	
DIMENSION D	
DIMENSION E	
DIMENSION F	
DIMENSION G	0 in
DIMENSION H	

CONNECTIONS	
DISTRIBUTOR	3/8 in
SUCTION	7/8 in
DRAIN	3/4 in
WATER	
DISCHARGE	
PAN LOOP	
HOT GAS SIDE PORT	
HOT GAS INLET	
HOT GAS OUTLET	
OTHER	
SHIPPING WEIGHT	76 lb
REFRIGERANT CHARGE	1 lb
RECEIVER CAPACITY	

APPROVALS			



NOTES:







## SWANSON-GIRARD

CULINARY SOLUTIONS

Project  
Buford Middle- Lancaster County  
School

From  
Swanson-Girard & Assoc.  
Becky Jersey  
10420 Southern Loop Blvd.  
Pineville, NC 28134  
(704)521-8811  
(888)521-0778 0000 (Contact)  
(704)521-8801 (Fax)  
bjersey@swanson-girard.com

**The following discounts have been applied to this quotation. No additional discounts can be taken off the net price shown.**

**To ensure all discounts are applied correctly when ordering please send ALL ORDERS to Swanson-Girard. Email: [orders@swanson-girard.com](mailto:orders@swanson-girard.com) or Fax: 704-521-8801**

**For Tracking information please either reach out to SGA office or Autoquotes Order Status.**

## ITEM Cooler - SHELVING, WITH METAL FRAME (4 REQ'D)

## Metro Model PR2442NK3 Dimensions: 42(w) x 24(d)

Super Erecta Pro™ Shelf, 42"W x 24"D, removable polymer shelf mat, Metroseal 3™ epoxy-coated frame, built-in Microban product protection, split sleeves, attaches to Super Erecta® round posts, NSF

- 4 ea Model PR2448NK3 Super Erecta Pro™ Shelf, 48"W x 24"D, removable polymer shelf mat, Metroseal 3™ epoxy-coated frame, built-in Microban product protection, split sleeves, attaches to Super Erecta® round posts, NSF
- 4 ea Model PR2454NK3 Super Erecta Pro™ Shelf, 54"W x 24"D, removable polymer shelf mat, Metroseal 3™ epoxy-coated frame, built-in Microban product protection, split sleeves, attaches to Super Erecta® round posts, NSF
- 12 ea Model 74PK3 Super Erecta® SiteSelect™ Post, 74-1/2"H, adjustable leveling bolt, posts are grooved at 1" increments & numbered at 2" increments, double grooved every 8", Metroseal 3 Green epoxy coated corrosion-resistant finish with Microban® antimicrobial protection
- 1 ea Model HP2236PD Metro Bow-Tie™ Dunnage Rack, 22" x 36" x 12"H, slotted, with separate polymer tie for joining racks, corrosion proof polymer construction, NSF



## ITEM Freezer - SHELVING, WITH METAL FRAME (16 REQ'D)

## Metro Model PR2460NK3 Dimensions: 60(w) x 24(d)

Super Erecta Pro™ Shelf, 60"W x 24"D, removable polymer shelf mat, Metroseal 3™ epoxy-coated frame, built-in Microban product protection, split sleeves, attaches to Super Erecta® round posts, NSF

- 8 ea Model PR2454NK3 Super Erecta Pro™ Shelf, 54"W x 24"D, removable polymer shelf mat, Metroseal 3™ epoxy-coated frame, built-in Microban product protection, split sleeves, attaches to Super Erecta® round posts, NSF
- 24 ea Model 74PK3 Super Erecta® SiteSelect™ Post, 74-1/2"H, adjustable leveling bolt, posts are grooved at 1" increments & numbered at 2" increments, double grooved every 8", Metroseal



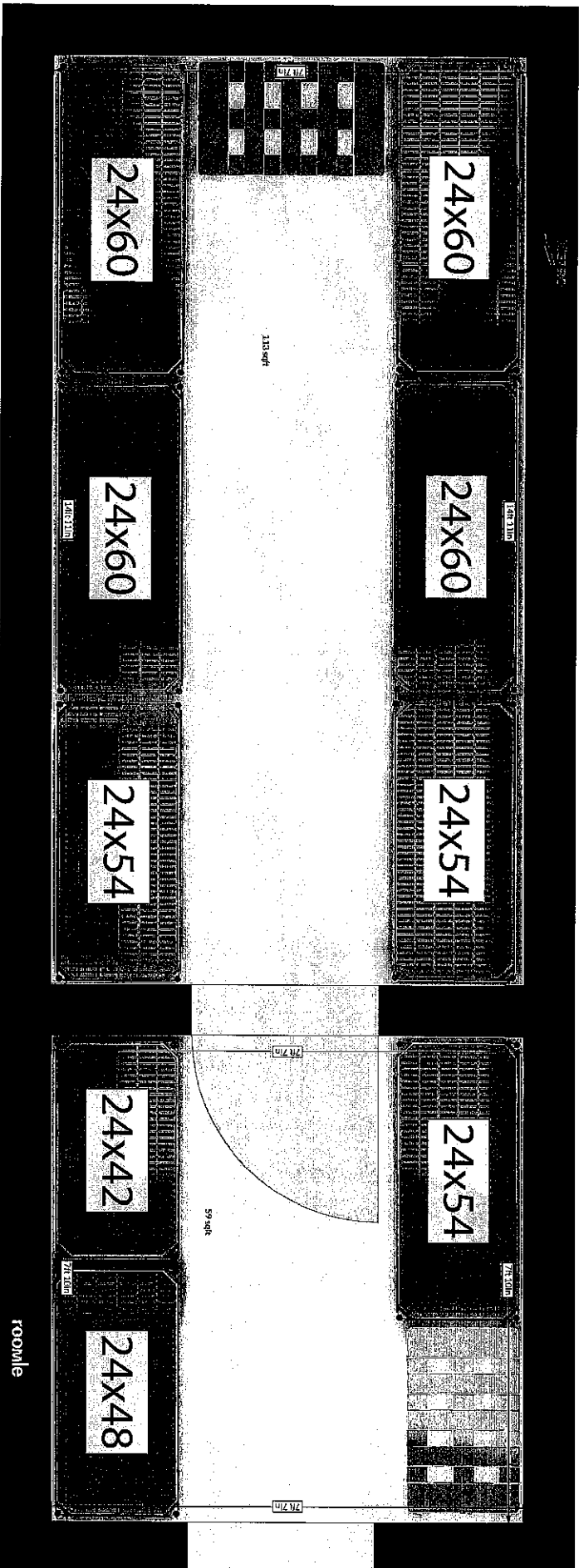
09/16/2022

Buford Middle- Lancaster County

1 ea 3 Green epoxy coated corrosion-resistant finish with Microban® antimicrobial protection  
Model HP2236PD Metro Bow-Tie™ Dunnage Rack, 22" x 36" x 12"H, slotted, with separate  
polymer tie for joining racks, corrosion proof polymer construction, NSF

---

*This quotation is based on our understanding of the information provided to us. While we make every effort to ensure that the quote is correct, **IT IS ULTIMATELY THE CUSTOMER'S RESPONSIBILITY TO CHECK THE QUOTE FOR ERRORS.** We are not responsible for this quotation meeting your requirements based on incorrect information. Please check our quotation carefully. Anything not listed will not be furnished. **All items are quoted as each unless otherwise shown.***





**Bally Refrigerated Boxes, Inc.**  
**Morehead City, NC 28557 (800) 242-2559**

**Last Update:** 10/12/2022  
**Revisor:** Laura Craig  
**To:** All Bidders

**Quote No:** 2760-002-R03-LC  
**Item No:**  
**Job Name:** Clinton Elementary School Lancaster SC  
**Date:** 10/12/2022 **PVD:** 10/3/2022  
**From:** Laura Craig  
 Swanson-Girard & Associates  
 10420 Southern Loop Blvd  
 Pineville, NC 28134

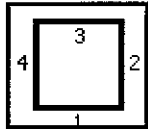
**Attn:**

**Phone:** **Fax:** (704)521-8801

**Box Shape**

**Indoor Structure**

**NSF APPROVED**



**Bally Prefabricated Exterior Dimensions:**

7'-9"(l) x 6'-9½"(w) x 8'-6"(h)  
 1 Compartments 1 Tiers With Floor 4" Floor  
 Ceiling: Single Span

**Panel Thickness:**

4 in. Exterior Vertical Used (7'-10") with 4 in. Floor, 4 in. Ceiling

**Details on Following Page(s)**

**NOTE:** Freight shown is an estimate based on current published rates. A fuel surcharge will be added and changes continuously.

**Walk-in Price:**

**Refrigeration Price:**

**Total Price (FOB Plant)** (Less Refrig. Warranties):

**Estimated Freight:**

**Optional Warranties:** (not included in Total Price)

(1) 02 HP System (5 yr. Parts, 1 yr. Labor)

**Payment terms and conditions are available upon request.**

*This quotation was based on information supplied to us which may or may not have been complete. Customer is responsible for reviewing this quotation for exclusions, deviations, and any improper information supplied to us.*

**Signature:** \_\_\_\_\_

Laura Craig

**Date:** \_\_\_\_\_

*We are not responsible for the selection or recommendation of the panel finish for any building or walk-in application.*

**NOTE: Quoting Bally standard specifications, sizes, and finishes.**

**This quotation is good through 11/26/2022**

**Act of 2007 (Public Law 110-140) Title III; Section 312, regarding Walk-In Coolers and Walk-In Freezers.**



**Bally Refrigerated Boxes, Inc.**  
**Morehead City, NC 28557 (800) 242-2559**

**Last Update:** 10/12/2022  
**Revisor:** Laura Craig  
**To:** All Bidders

**Quote No:** 2760-002-R03-LC  
**Item No:**  
**Job Name:** Clinton Elementary School Lancaster SC  
**Date:** 10/12/2022 **PVD:** 10/3/2022  
**From:** Laura Craig  
 Swanson-Girard & Associates  
 10420 Southern Loop Blvd  
 Pineville, NC 28134  
**Phone:** **Fax:** (704)521-8801

**Attn:**

**Indoor Structure**

**NSF APPROVED**

***Bally Prefabricated Exterior Dimensions:***

7'-9"(l) x 6'-9½"(w) x 8'-6"(h)  
 1 Compartments 1 Tiers With Floor 4" Floor  
 Ceiling: Single Span

***Panel Thickness:***

4 in. Exterior Vertical Used (7'-10") with 4 in. Floor, 4 in. Ceiling

***Details and specifications for Quote No:*** 2760-002-R03-LC

***Comments:***

***Base Finish***

Vertical and Ceiling Panels: Embossed Galvalume (26 GA)

***Special Finishes:***

Interior Floor - Aluminum Treadplate .125" Thick

***Doors/Openings:***

- Wall 1 Door 1 (1) 36" x 78" Hinged Door In a 46"
- Wall 1 Door 1 (1) 57 1/2" Door Section
- Wall 1 Door 1 (1) Bally Standard Pressure Relief Port (< 400 sq/ft)
- Wall 1 Door 1 (1) Ext. Alum Diam/Tread Ramp (30-36" Door)
- Wall 1 Door 1 (1) Strip Curtain (36" Door and Under)
- Wall 1 Door 1 (1) Super Door 36" Wide and Under, 30" High

***Accessories and Extras:***

- (1) 48" LED KEIL 48x754-CL-N Light  
 - 40° F to 100° F(Range)

***Floor Options:***

- (56) S/F 1/2" Plywood Foamed in Panel

***Refrigeration:***

- (1) BEZA 020 L8 HT3D (208-230/3/60) w/ smart speed  
 Includes defrost contactor for 1 Evap.
- (1) BLP207LE-S2D 208-230/1/60  
 2 Fan 7160 BTU/h
- (1) Refrigeration is calculated for standard use at a box temperature of  
 -10° F. with a condensing unit ambient of 105° F.

***Estimated Shipping:***

Weight: 2,320.70  
 Destination: Lancaster, SC, 29720



**Bally Refrigerated Boxes, Inc.**  
**Morehead City, NC 28557 (800) 242-2559**

**Last Update:** 10/12/2022  
**Revisor:** Laura Craig  
**To:** All Bidders

**Quote No:** 2760-002-R03-LC  
**Item No:**  
**Job Name:** Clinton Elementary School Lancaster SC  
**Date:** 10/12/2022 **PVD:** 10/3/2022  
**From:** Laura Craig  
 Swanson-Girard & Associates  
 10420 Southern Loop Blvd  
 Pineville, NC 28134  
**Phone:** **Fax:** (704)521-8801

**Attn:**

**Deviations (Alternates, Remarks, Clarifications, Etc.):**

Quoting Bally Standard Pre-assembled Remote Refrigeration.

Bally Floor Panels are capable of supporting up to 800 lbs. Per Sq/Ft uniformly distributed stationary loading. Bally does not recommend the use rolling loads of heavy carts, pallet jacks or fork lifts on top of the floors. Warranty for floors subjected to this type of use would not be covered by Bally.

**Exclusions (Items Not Supplied by Bally):**

- |   |  |
|---|--|
| <input checked="" type="checkbox"/> Shelving, Racks, Interior Accessories | <input checked="" type="checkbox"/> Caulking and Sealants                    |
| <input type="checkbox"/> Labor on Warranties                              | <input type="checkbox"/> Refrigeration Systems                               |
| <input checked="" type="checkbox"/> Alarm Systems                         | <input checked="" type="checkbox"/> Refrigeration Accessories                |
| <input checked="" type="checkbox"/> Supervision                           | <input checked="" type="checkbox"/> Closure Panel and Trim                   |
| <input checked="" type="checkbox"/> Tubing, Wiring for Rfg. Equipment     | <input checked="" type="checkbox"/> Sleeves, Penetrations, Escutcheon Plates |
| <input checked="" type="checkbox"/> Compressor Rack                       | <input checked="" type="checkbox"/> Floor Insulation and Vapor Barrier       |

**Cancelled Orders:** Cancelled unshipped standard walk-ins will be charged a 30% restocking fee plus the cost of special panels. Cancelled refrigeration systems will be charged a 30% restocking fee and the cost of any freight accrued. Buy-out items will be charged a 25% restocking fee plus any freight accrued.

**Agency Ratings:** Bally units comply or surpass applicable Flame Spread-25, UL, UL 723, & NSF standards in a manner conforming to ASTM E-84, and Factory Mutual standards.

**Quotation Limitations:** This quotation was based upon the specifications given to Bally which may possibly be incomplete. Bally is not responsible for items missing from the quotation due to incomplete or excluded items in the specifications received from the customer. The customer is responsible for reviewing the quotation for omissions or deviations from the specifications given to Bally. All portions of the quotation are subject to revision upon receipt of detailed specifications or if changes are made following the delivery of the original quotation. Quotations expire on the date indicated on Page 1 of the Quote. Approval drawings must be returned within 60 days of receipt of the purchase order. The order must ship within the agreed upon time frames or current lead times, but no later than 7 months. Any deviations to this quotation (dimensions or specification changes) will require updated pricing.

**Panel Construction:** Bally Panels are manufactured with environmentally friendly HFC 245-FA polyurethane foam. This polyurethane foam offers the highest thermal insulation value and the most energy efficiency per cubic inch in comparison to similar foams. It has a zero Ozone Depletion Potential (ODP) and a low Global Warming Potential (GWP). It is not considered a Volatile Organic Compound (VOC) in the US. Standard 4" Bally panels meet the 2009 Federal Energy Standards.

**Refrigerants:** Unless otherwise specified, refrigeration systems are quoted with environmentally friendly HFO R448A refrigerant. It has a Low Global Warming Potential (GWP) and the EPA lists it as an acceptable substitute for R404A and other high GWP refrigerants.

**Automatic Door Closers:** Bally includes automatic door closers and spring loaded hinges on all doors 42" wide and smaller as a standard feature with no additional charge that meet the 2009 Federal Energy Standards.

**Motors:** Bally units are quoted with EC and PSC motors in compliance with federal energy standards, for increased energy savings.

**Lighting:** Bally units are quoted with lighting in compliance with federal Energy Standards for increased energy savings.

**Optional Features:** Bally offers additional optional energy-saving features such as Walk-In Alarm & Light Management systems that comply or surpass the 2009 Federal energy regulations.



**Bally Refrigerated Boxes, Inc.**  
**Morehead City, NC 28557 (800) 242-2559**

*Last Update:* 10/12/2022  
*Revisor:* Laura Craig  
*To:* All Bidders

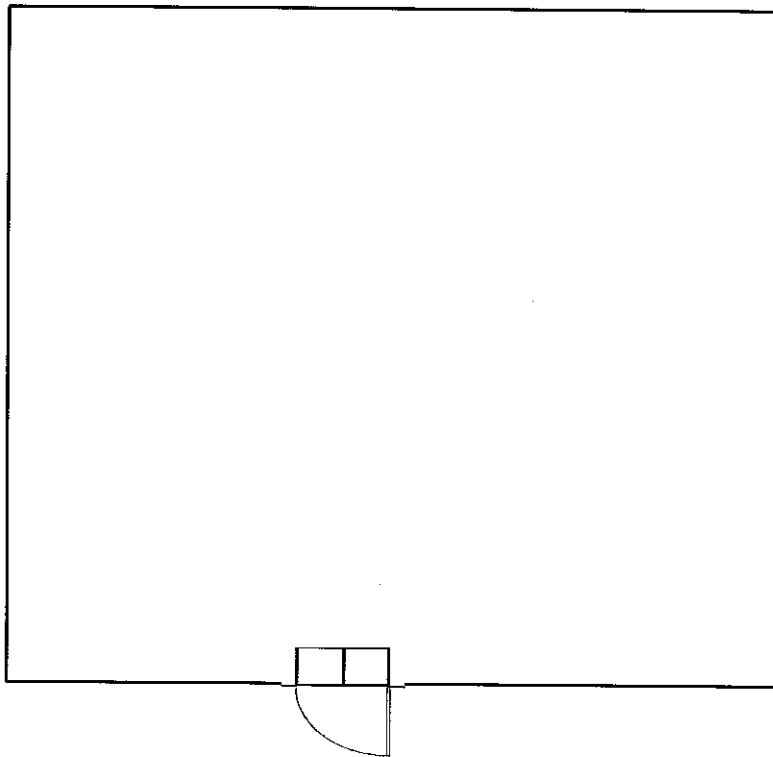
*Quote No:* 2760-002-R03-LC  
*Item No:*  
*Job Name:* Clinton Elementary School Lancaster SC  
*Date:* 10/12/2022 *PVD:* 10/3/2022  
*From:* Laura Craig  
 Swanson-Girard & Associates  
 10420 Southern Loop Blvd  
 Pineville, NC 28134  
*Phone:* *Fax:* (704)521-8801

*Attn:*

This drawing is for reference purposes only and it not intended to be a formal scale model.

w3: 7'-9"

w4: 6'-9½"



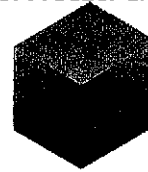
w2: 6'-9½"

w1: 7'-9"

DOOR 1: Wall1 36" x 78" Hinged Door In a 46" Centered Hinge:Right Orientaion:Regular



Clinton Elementary School Freezer INDOOR LOAD CALCULATION



COOLING REQUIREMENTS									
Application	General Walk-in Freezer			Location	Indoor				
Internal Temp	-10 °F	Internal RH	95%	External Temp	85 °F	External RH	55%		
Wall Load	1,320 BTUH	Infiltration	1,830 BTUH	Products	82 BTUH	Miscellaneous	559 BTUH		
	35%		48%		2%		15%		
WALL, FLOOR AND CEILING LOADS									
Section	Construction	Thickness (in)	K Factor	R Value	Ext Temp (°F)	Dim 1 (ft)	Dim 2 (ft)	Area (ft²)	Load (BTUH)
Rear	Urethane, Standard panels	4.000	0.14	28.57	85.0	7.80	8.50	66	220
Right End	Urethane, Standard panels	4.000	0.14	28.57	85.0	6.90	8.50	39	130
	Door			15.00	85.0	3.00	6.50	20	123
Front	Urethane, Standard panels	4.000	0.14	28.57	85.0	7.80	8.50	66	220
Left End	Urethane, Standard panels	4.000	0.14	28.57	85.0	6.90	8.50	59	195
Floor	Insulated Floor - Panels On Concrete On Grade	10.000	0.31	32.32		7.80	6.90	54	252
Ceiling	Urethane, Standard panels	4.000	0.14	28.57	85.0	7.80	6.90	54	179
VOLUME (ft³)		457	TOTAL WALL, FLOOR AND CEILING LOAD				1,320		
INFILTRATION LOAD : ESTIMATED BY DOORS AND OPENINGS									
Quantity	Door or Opening Type	Height (in)	Width (in)	External Temp (°F)	External Rh (%)	Open Time (hrs)	Curtains	Load (BTUH)	
1	Door	78.00	36.00	85.0	55.0	0.18	None	1,830	
TOTAL INFILTRATION LOAD ESTIMATED BY DOORS AND OPENINGS								1,830	
PRODUCT LOADS									
Type	Weight (lb)	Enter Temp (°F)	Final Temp (°F)	Pull Down (hrs)	Load (BTUH)				
General, Mixed Products, Approximation	457	0.0	-10.0	24	82				
TOTAL PRODUCT WEIGHT (lbs)		457	TOTAL PRODUCT LOAD		82				
MISCELLANEOUS LOADS									
Quantity	Description	Power	Units	Run Time (hrs)	Load (BTUH)				
	LIGHTING	1	W/ft²	24	184				
2	EVAPORATOR MOTORS	60	W	22	375				
TOTAL MISCELLANEOUS LOAD								559	
SYSTEM DESIGN SUMMARY									
Design Load (BTUH)	Safety Factor	Safety Load (BTUH)	Run Time (Hours)	Capacity Required (BTUH)	Refrigerant	Line Frequency (Hz)	Design TD (°F)	Line Loss (°F)	Condenser Ambient (°F)
3,791	10%	4,170	18	5,561	R448A	60	10	0.5	105
SYSTEM EQUIPMENT SELECTION									
Equipment Type	Quantity	Model Number	Description			Voltage	Rating (BTUH)		
Condensing Unit	1	BEZA020L8-HT3D	EZ-Line Scroll, Condensing Units-Air			208-230/3/60			
Evaporator	1	BLP207LE-S2D	Low Profile, Evaporator			208-230/1/60			
SYSTEM BALANCE									
Fan Load (BTUH)	Suction Temp (°F)		Evaporator TD (°F)		System Capacity (BTUH)				
	-19.5		9		6,516				

**NATIONAL REFRIGERATION AND AIR CONDITIONING CANADA CORP.**159 ROY BLVD, PO BOX 2020  
BRANTFORD, ON  
CANADA N3T 5Y6**BEZA020L8-HT3D****EZ-LINE SCROLL  
CONDENSING UNITS-AIR**

PURCHASER :

SUBMITTED BY : **Laura Craig**PROJECT : **Clinton Elementary School Lancaster SC**DATE : **11 Oct 2022**ORDER # : **06339.41918.00469-A00**ITEM # : **1**QUOTE # : **Q11EULCB**

ID # :

PURCHASER'S PO # :

TAGGING :

**MODEL FEATURES**

- 3/8" Tubing coil construction (reduces refrigerant operating charge)
- Anti-short cycle time delay
- Adjustable pressure fan cycling control on 2 fan models only
- Copper tubing secured with cushion clamps
- Crankcase heater
- Fan Guard

- Fan motors are inherently protected with internal overloads
- Pre-formed piping
- Receiver with fusible plug and liquid shut off valve
- Suction Service valve
- Adjustable flooded head pressure control (unless otherwise indicated)
- Units are shipped with Helium holding charge
- Weatherproof electrical control box with compressor contactor and fused control circuit

- Welded hermetic Scroll compressor
- Adjustable low pressure control with flex hose / fixed high pressure control
- ECM with SmartSpeed Technology
- High efficiency enhanced copper tube and aluminium fin coil design
- Compatible with Low GWP Refrigerants
- Outdoor weatherproof pre-painted steel cabinet

**MODEL OPTIONS ( \* = Shipped Loose )****OPTION PACKAGES**

- Small B (Good@Warm/Moderate)  
 Small N (Better@Warm/Moderate)  
 Small P (Best@Warm/Moderate)  
 Small D (Good@Moderate/Cold)  
 Small J (Better@Moderate/Cold)  
 Small Q (Best@Moderate/Cold)  
 Small K  
 Small H

**ELECTRIC DEFROST KIT**

- DFK-02

**11.5V Control Circuit**

- ADJUSTABLE PRESSURE CONTROLS**  
 Johnson Dual with flex hose  
 Separate High/Low  
 Separate High/Low: MAN Reset on HP

**BALL VALVE**

- \*Liquid Line  
 Liquid Line  
 \*Suction Line  
 Suction Line

**CAPACITY CONTROL - HOT GAS BYPASS**

- To Inlet of Evaporator  
 To Suction Line

**Compressor Circuit Breaker****CONDENSING UNIT PRISON PACKAGE**

- Tamper Proof Screws  
 Crankcase Pressure Regulator

**CONTACTORS**

- 30A Contactor  
 40A Contactor  
 60A Contactor

**DEFROST KIT****(USE W/KE2 EVAP EFF)**

- Up to 30A per Evap  
 35A to 50A per Evap  
 Over 50A per Evap

**Discharge Air Hood****Discharge Line Check Valve****Discharge Line Temperature Sensor****DISCONNECT SWITCH**

- Fused  
 Non-Fused

**EC FAN MOTORS + SPEED CONTROLLER**

- All Motors Variable Speed - 230V Units

**ELECTRONIC PRESSURE CONTROL**

- Low Pressure Control  
 High Pressure Control

**Export Crating****EXTENDED 4-YEAR COMPRESSOR WARRANTY**

- Copeland  
 Extended Leg Kit

**COIL COATING**

- E-Coat

**FIN MATERIAL**

- Gold Coat Fins  
 Copper Fins

**Hail Guard for Condenser****Heated and Insulated Receiver****HOUSING MATERIAL**

- Stainless Steel

**Insulated Suction Line****LIQUID LINE FILTER + SIGHT GLASS**

- Sealed  
 Replaceable

- Liquid Line Lock-Out Relay  
 **LIQUID LINE SOLENOID VALVE**

- \*Standard 230V Coil  
 \*Standard 115V Coil

**OIL SEPARATOR**

- With Oil Filter and Solenoid

**One Time Pump Down****Oversized Receiver****PHASE / VOLTAGE MONITOR**

- 3-Lead  
 6-Lead (MotorSaver455)

**Pump Down Toggle Switch****QuickVac Valves****Receiver Inlet Ball Valve****Single Point Electrical****Sub Cooling Circuit****SUCTION ACCUMULATOR**

- With Heat Exchanger  
 Without Heat Exchanger

**SUCTION FILTER**

- Sealed Type  
 Replaceable Core

**TIME CLOCK**

- Paragon 8145 Style  
 \*230V Paragon 8145 Style  
 \*115V Paragon 8145 Style

**Wind Guard****Less Flooding Valve(s)**

VOLTAGE		SYSTEM REFRIGERANT		RATING		SUCTION TEMP		AMBIENT TEMP		CAPACITY	
208-230/3/60		R448A		2Hp		-19.5 °F		105 °F		6516 BTUH	
FANS			COMPRESSOR				CIRCUIT TOTAL				
QTY	POWER	FLA/FAN	TYPE	QTY	RLA	LRA	AMPS	WATTS	MCA†	MOP‡	
1	100W	1	ZF07KAE-TF5	1	8.6	58	9.6		11.8	20	
LIQUID		3/8 in		SOUND		-		REC CAPACITY		11 lb	
SUCTION		7/8 in		WEIGHT		315 lb		REF CHARGE		4 lb	

**NOTES:**

† MCA.. Minimum Circuit Ampacity, ‡ MOP.. Maximum Overcurrent Protection  
MCA & MOP are for the condensing unit ONLY. Single point connections WILL show different on dataplate.  
AWEF = 3.1 for R404A/R507/ AWEF = 3.08 for R407A/R448A/R449A. Non-compliant DOE NRCAN model for all other refrigerants.

**APPROVED BY :****DATE :**

Approval of this drawing signifies that the equipment is acceptable under the provision of the job specifications. Any change made hereon by any person whomsoever subject to acceptance by NATIONAL REFRIGERATION at its home office.



**NATIONAL REFRIGERATION AND  
AIR CONDITIONING CANADA CORP.**

159 ROY BLVD, PO BOX 2020  
BRANTFORD, ON  
CANADA N3T 5Y6

**BEZA020L8-HT3D**

**EZ-LINE SCROLL  
CONDENSING UNITS-AIR**

PURCHASER :

SUBMITTED BY : **Laura Craig**

PROJECT : **Clinton Elementary School Lancaster SC**

DATE : **11 Oct 2022**

ORDER # : **06339.41918.00469-A00**

ITEM # : **1**

QUOTE # : **Q11EULCB**

ID # :

PURCHASER'S PO # :

TAGGING :

**SELECTED OPTION DESCRIPTIONS**

**Electric Defrost Kit - DFK-02**

Electric Defrost Kit includes:

Mechanical Time Clock:

Time initiated temperature terminated with a timed failsafe.

Contactors:

Three pole definite purpose, 230V or 115V coil as defined by  
the control circuit voltage

HtrCont1x 40A

Fuse Blocks:

1x 30A (2P) Class CC

**Liquid Line Filter + Sight Glass - Sealed**

Sporlan C Series with ODF solder connections and Sporlan SA  
moisture indicator factory installed in liquid line.

**Option Packages - Small B (Good@Warm/Moderate)**

LLFD+SG

Approval of this drawing signifies that the equipment is acceptable under the provision of the job specifications. Any change made hereon by any person whomsoever subject to acceptance by NATIONAL REFRIGERATION at its home office.



**NATIONAL REFRIGERATION AND  
AIR CONDITIONING CANADA CORP.**  
159 ROY BLVD, PO BOX 2020  
BRANTFORD, ON  
CANADA N3T 5Y6

Order Item No: 1  
**BEZA020L8-HT3D**  
EZ-LINE SCROLL  
CONDENSING UNITS-AIR

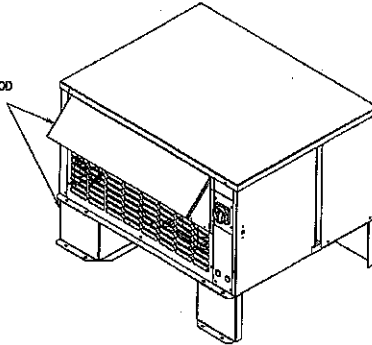
NATIONAL REFRIGERATION will furnish equipment in accordance with this drawing and specifications, and subject to its published warranty. Approval of this drawing signifies that the equipment is acceptable under the provision of the job specifications. Any change made hereon by any person whomsoever subject to acceptance by NATIONAL REFRIGERATION at its home office.

DATE : **11 Oct 2022**  
PURCHASER :  
PROJECT : **Clinton Elementary School Lancaster SC**  
SUBMITTED BY : **Laura Craig**

Dimensions shown are for standard unit less options.

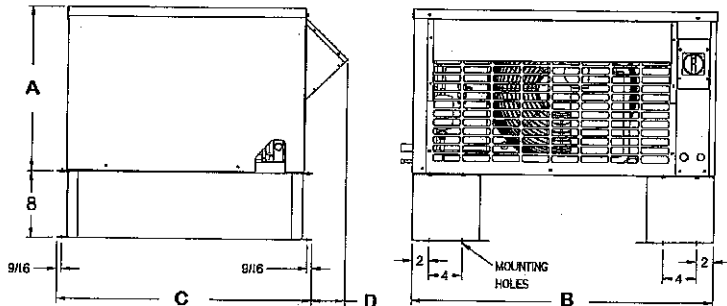
DIMENSIONS	
DIMENSION A	19 3/8 in
DIMENSION B	24 7/8 in
DIMENSION C	30 3/8 in
DIMENSION D	4 in
DIMENSION E	
DIMENSION F	
DIMENSION G	0 in
DIMENSION H	

OPTIONAL AIR  
DISCHARGE HOOD  
AND LEGS



CONNECTIONS	
LIQUID	3/8 in
SUCTION	7/8 in
DRAIN	
WATER	
DISCHARGE	
PAN LOOP	
HOT GAS SIDE PORT	
HOT GAS INLET	
HOT GAS OUTLET	
OTHER	
SHIPPING WEIGHT	315 lb
REFRIGERANT CHARGE	4 lb
RECEIVER CAPACITY	11 lb

APPROVALS			



**NOTES:**

AWEF = 3.1 for R404A/R507/ AWEF = 3.08 for R407A/R448A/R449A. Non-compliant DOE NRCAN model for all other refrigerants



**NATIONAL REFRIGERATION AND  
AIR CONDITIONING CANADA CORP.**  
159 ROY BLVD, PO BOX 2020  
BRANTFORD, ON  
CANADA N3T 5Y6

**BLP207LE-S2D**

**LOW PROFILE  
EVAPORATOR**

PURCHASER : SUBMITTED BY : **Laura Craig**  
 PROJECT : **Clinton Elementary School Lancaster SC** DATE : **11 Oct 2022**  
 ORDER # : **06339.41918.00469-A00** ITEM # : **2**  
 QUOTE # : **Q11EULCB** ID # :  
 PURCHASER'S PO # : TAGGING :

**MODEL FEATURES**

- 3/8" Tubing coil construction (reduces refrigerant operating charge)
- Factory installed solenoid valve wire harness
- Heavy gauge textured aluminum cabinet construction resists scratches/corrosion
- Spacious piping end compartment allows for easy assembly
- Hinged drain pan with central universal drain connection (3/4" drain)
- Front access to spacious electrical and header compartments
- Schrader connection on suction header
- Attractive and durable high density polyethylene fan guards
- Ultra efficient Electronically Commutated Motor (ECM)
- ECM with SmartSpeed Technology
- High efficiency enhanced copper tube and aluminium fin coil design
- 6 FPI
- Unit Cooler is AWEF/NRCAN compliant with R404A/R507/R448A/R449A/R407A

**MODEL OPTIONS ( \* = Shipped Loose )**

- |  |  |  |
|--|--|--|
| <p><b>PRE-ASSEMBLED EVAP</b></p> <p><input checked="" type="checkbox"/> SmartVap+ with EEV + Solvlv</p> <p><input checked="" type="checkbox"/> Sporlan TXV, LLSV,T-stat</p> <p><input type="checkbox"/> KE2 Evap Efficiency w/Sporlan TXV</p> <p><input type="checkbox"/> KE2 Evap Efficiency w/Sporlan EEV</p> <p><input type="checkbox"/> *KE2 Evap Efficiency w/Sporlan TXV</p> <p><input type="checkbox"/> *KE2 Evap Efficiency w/Sporlan EEV</p> <p><input type="checkbox"/> <b>Aux Sideport Connector</b></p> <p><b>CABINET FINISH</b></p> <p><input type="checkbox"/> Painted White</p> <p><input type="checkbox"/> Stainless Steel</p> <p><b>SENSORS FOR CPC BOARDS</b></p> <p><input type="checkbox"/> Coil Temp Sensor</p> <p><input type="checkbox"/> Return Air Temp Sensor</p> <p><b>DEMAND DEFROST ELECTRONIC CONTROLLER</b></p> <p><input type="checkbox"/> KE2 Adaptive Control</p> <p><input type="checkbox"/> *KE2 Adaptive Control</p> <p><input type="checkbox"/> KE2 Therm Evaporator Efficiency</p> <p><input type="checkbox"/> *KE2 Therm Evaporator Efficiency</p> <p><input type="checkbox"/> <b>Dual Circuit</b></p> | <p><b>ELECTRONIC CONTROLLER</b></p> <p><input type="checkbox"/> SmartVap+ Control Board and Display</p> <p><b>EXPANSION VALVE</b></p> <p><input checked="" type="checkbox"/> Sporlan TXV</p> <p><input type="checkbox"/> Sporlan EEV</p> <p><input type="checkbox"/> EEV for SmartVap+</p> <p><b>EVAPORATOR PRISON PACKAGE</b></p> <p><input type="checkbox"/> Tamper Proof Screws</p> <p><input type="checkbox"/> <b>Export Crating</b></p> <p><b>COIL COATING</b></p> <p><input type="checkbox"/> E-Coat</p> <p><b>FIN MATERIAL</b></p> <p><input type="checkbox"/> Gold Coat Fins</p> <p><input type="checkbox"/> Copper Fins</p> <p><input type="checkbox"/> <b>Insulated Drain Pan</b></p> <p><b>KE2 THERM</b></p> <p><input type="checkbox"/> *CAT5e Shielded Cable - 50ft w/connectors</p> <p><input type="checkbox"/> 40' Leads on Sensors + Transducers</p> <p><input type="checkbox"/> Ethernet Adapter Kit</p> <p><input type="checkbox"/> *Remote Combo Display</p> <p><input type="checkbox"/> *Liquid / Suction Heat Exchanger</p> | <p><b>LIQUID LINE SOLENOID VALVE</b></p> <p><input checked="" type="checkbox"/> Sporlan</p> <p><input type="checkbox"/> <b>Dual Voltage Coil 120-230V Field Wired</b></p> <p><input type="checkbox"/> <b>Nitrogen Charged and Sealed ROOM THERMOSTATS</b></p> <p><input checked="" type="checkbox"/> Mechanical</p> <p><input type="checkbox"/> *Mechanical</p> <p><input type="checkbox"/> *Johnson A19ABC</p> <p><input type="checkbox"/> *Johnson A421ABC-02C</p> <p><input type="checkbox"/> Johnson A421ABC-02</p> <p><input type="checkbox"/> <b>Wire Fan Guards</b></p> <p><b>REMOTE DEFROST PANEL</b></p> <p><input type="checkbox"/> *230V Control</p> <p><input type="checkbox"/> *115V Control</p> <p><b>INSTALLATION REQUIREMENTS</b></p> <p><input checked="" type="checkbox"/> Minimum slope of 1" per foot on all drain lines</p> <p><input checked="" type="checkbox"/> P-trap per evap required outside of box</p> <p><input checked="" type="checkbox"/> Insulated drain line requires heat - 20W/ft</p> |
|--|--|--|

VOLTAGE		SYSTEM REFRIGERANT		AIR FLOW	EVAP. TEMP	BOX TEMP	CAPACITY		
208-230/1/60		R448A		1500 CFM	-19 °F	-10 °F	6516 BTUH		
FANS			HEATERS			CIRCUIT TOTAL			
QTY	POWER	FLA/FAN	TYPE	QTY	AMPS	AMPS	WATTS	MCA†	MOP‡
2	0.07HP	0.6				1.2	120	1.4	15
DEFROST HTRS				8.2			1890	10.3	15
DISTRIBUTOR	3/8 in	SOUND	-	REC CAPACITY			APPROVALS		
SUCTION	7/8 in	WEIGHT	76 lb	REF CHARGE	1 lb				
NOTES:									
† MCA.. Minimum Circuit Ampacity, ‡ MOP.. Maximum Overcurrent Protection									

**APPROVED BY :** \_\_\_\_\_ **DATE :** \_\_\_\_\_

Approval of this drawing signifies that the equipment is acceptable under the provision of the job specifications. Any change made hereon by any person whomsoever subject to acceptance by NATIONAL REFRIGERATION at its home office.



**NATIONAL REFRIGERATION AND  
AIR CONDITIONING CANADA CORP.**

159 ROY BLVD, PO BOX 2020  
BRANTFORD, ON  
CANADA N3T 5Y6

**BLP207LE-S2D**

**LOW PROFILE  
EVAPORATOR**

PURCHASER :

SUBMITTED BY : **Laura Craig**

PROJECT : **Clinton Elementary School Lancaster SC**

DATE : **11 Oct 2022**

ORDER # : **06339.41918.00469-A00**

ITEM # : **2**

QUOTE # : **Q11EULCB**

ID # :

PURCHASER'S PO # :

TAGGING :

**SELECTED OPTION DESCRIPTIONS**

**Expansion Valve - Sporlan TXV**

May be Type EBQ, S, SBF, O externally equalized thermostatic expansion valve. Valves are selected using the specified capacity and operating conditions of the refrigeration system as specified on the accompanying Certified Prints.

**Installation Requirements - Insulated drain line  
requires heat - 20W/ft**

Freezer condensate drain lines must be insulated and heated with a minimum of 20 watts per foot.

**Installation Requirements - Minimum slope of 1" per  
foot on all drain lines**

Bally recommends a minimum slope of 1" per foot on all drain lines.

**Installation Requirements - P-trap per evap required  
outside of box**

All evaporators must be trapped individually outside of the box to prevent vapor migration back to coil surface.

**Liquid Line Solenoid Valve - Sporlan**

Sporlan solenoid coil voltage matches evaporator voltage except when evaporator is 460V, then 230V solenoid coil is used. Exceptions must be clearly explained in the Notes of the option.

**Pre-assembled Evap - Sporlan TXV, LLSV, T-stat**

Option Package consists of factory installed Sporlan balance port TXV, Sporlan liquid line solenoid valve and Johnson Controls A19 Room thermostat.

**Room Thermostats - Mechanical**

Single stage temperature control with Single-Pole, Double-Throw (SPDT) mechanical switch. May be Johnson A19 or equal, Operating range of -30°F to +100°F. Adjustable differential of 3°F to 12°F. Factory installed and wired.

Approval of this drawing signifies that the equipment is acceptable under the provision of the job specifications. Any change made hereon by any person whomsoever subject to acceptance by NATIONAL REFRIGERATION at its home office.



**NATIONAL REFRIGERATION AND  
AIR CONDITIONING CANADA CORP.**

159 ROY BLVD, PO BOX 2020  
BRANTFORD, ON  
CANADA N3T 5Y6

Order Item No: 2  
**BLP207LE-S2D**  
**LOW PROFILE  
EVAPORATOR**

NATIONAL REFRIGERATION will furnish equipment in accordance with this drawing and specifications, and subject to its published warranty. Approval of this drawing signifies that the equipment is acceptable under the provision of the job specifications. Any change made hereon by any person whomsoever subject to acceptance by NATIONAL REFRIGERATION at its home office.

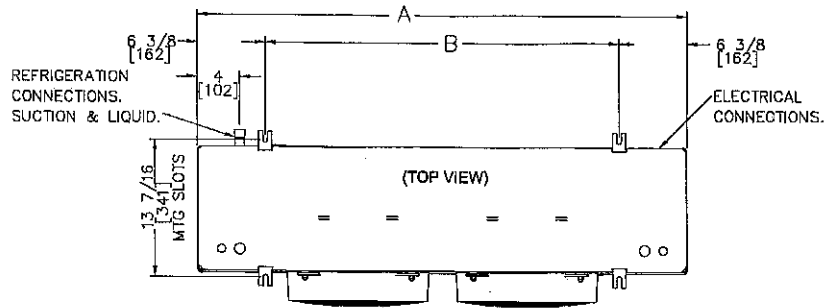
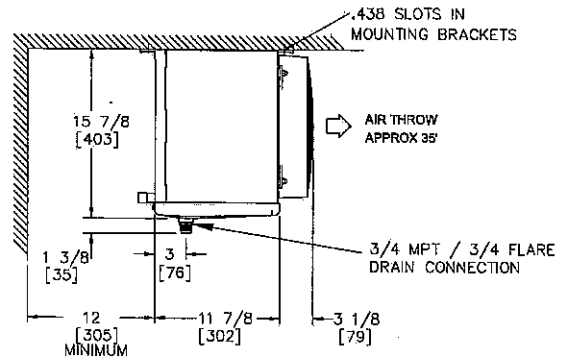
DATE : 11 Oct 2022  
PURCHASER :  
PROJECT : Clinton Elementary School Lancaster SC  
SUBMITTED BY : Laura Craig

Dimensions shown are for standard unit less options.

DIMENSIONS	
DIMENSION A	46 1/4 in
DIMENSION B	33 1/4 in
DIMENSION C	
DIMENSION D	
DIMENSION E	
DIMENSION F	
DIMENSION G	0 in
DIMENSION H	

CONNECTIONS	
DISTRIBUTOR	3/8 in
SUCTION	7/8 in
DRAIN	3/4 in
WATER	
DISCHARGE	
PAN LOOP	
HOT GAS SIDE PORT	
HOT GAS INLET	
HOT GAS OUTLET	
OTHER	
SHIPPING WEIGHT	76 lb
REFRIGERANT CHARGE	1 lb
RECEIVER CAPACITY	

APPROVALS			

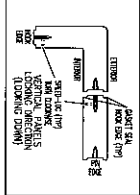


NOTES:

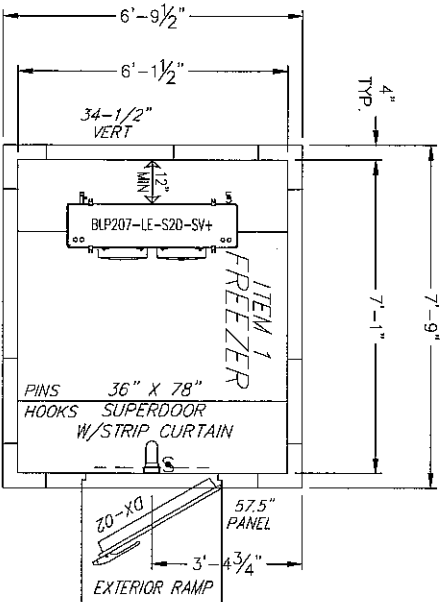


BALLY FLOOR PANEL GUIDELINES

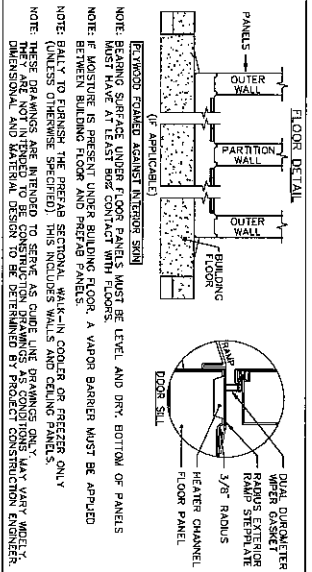
CONDENSING UNIT - CONDENSING UNIT MUST BE INSTALLED ON A SURFACE WHICH IS AT LEAST 18" ABOVE THE FLOOR. CONDENSING UNIT MUST BE INSTALLED ON A SURFACE WHICH IS AT LEAST 18" ABOVE THE FLOOR. CONDENSING UNIT MUST BE INSTALLED ON A SURFACE WHICH IS AT LEAST 18" ABOVE THE FLOOR.



THIS DRAWING IS TO BE USED FOR APPROVAL ONLY.  
 -> DO NOT USE THIS DRAWING FOR INSTALLATION.  
 EVERY SHIPPED ORDER WILL HAVE A FINALIZED AS-BUILT DRAWING.



PLAN VIEW B  
 SCALE: 1/2" = 1'-0"



NOTE: BEARING SURFACE UNDER FLOOR PANELS MUST BE LEVEL AND DRY. BOTTOM OF PANELS MUST HAVE AT LEAST 2\"/>

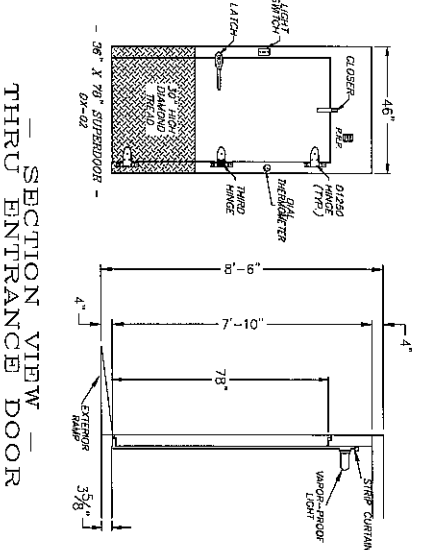
NOTE: IF MOISTURE IS PRESENT UNDER BUILDING FLOOR, A VAPOR BARRIER MUST BE APPLIED BETWEEN BUILDING FLOOR AND PREPARED PANELS.

NOTE: BALLY TO FINISH THE PREPARED SECTIONAL, WALK-IN COOLER OR FREEZER ONLY.

NOTE: THESE ARE NOT INTENDED TO BE CONSTRUCTION DETAILS. DIMENSIONS MAY VARY. WEIGHT, DIMENSIONAL, AND MATERIAL DESIGN TO BE DETERMINED BY PROJECT CONSTRUCTION ENGINEER.

GENERAL NOTES  
 - NOTE: BALLY TO FURNISH (1) 48\"/>

NOTE: SMARTAP+ REFRIGERATION REQUIRES TWO SEPARATE POWER SOURCES: ONE TO THE CONDENSING UNIT AND ONE TO THE SMARTAP+ EVAPORATOR.



SECTION VIEW  
 THRU ENTRANCE DOOR  
 SCALE: 3/8" = 1'-0" SHEET 2 OF 2

RESTRICTED, CONFIDENTIAL DOCUMENT.  
 THIS DRAWING AND ALL INFORMATION SHOWN HEREON IS UNCLASSIFIED EXCEPT WHERE SHOWN OTHERWISE. IT IS THE PROPERTY OF BALLY MANUFACTURING COMPANY. IT IS LOANED TO YOU FOR YOUR INFORMATION AND USE ONLY. IT IS NOT TO BE REPRODUCED, COPIED, OR TRANSMITTED IN ANY FORM OR BY ANY MEANS, ELECTRONIC OR MECHANICAL, INCLUDING PHOTOCOPYING, RECORDING, OR BY ANY INFORMATION STORAGE AND RETRIEVAL SYSTEM, WITHOUT THE WRITTEN CONSENT FROM BALLY MANUFACTURING COMPANY.

SIGNED APPROVAL  
 SIGNED \_\_\_\_\_  
 DATE \_\_\_\_\_  
 PLEASE READ

IMPORTANT - PLEASE READ  
 THESE DRAWINGS ARE NOT TO BE CONSIDERED AS APPROVED BY LOCAL OR STATE BUILDING AUTHORITIES. THEY HAVE BEEN PREPARED SOLELY FOR THE GUIDANCE OF REGISTERED ARCHITECTS AND ENGINEERS, AND FOR THE ASSISTANCE OF LOCAL BUILDING OFFICIALS. THE USER OF THESE DRAWINGS IS RESPONSIBLE FOR OBTAINING ALL NECESSARY PERMITS AND APPROVALS FROM THE APPLICABLE BUILDING DEPARTMENT. THE DRAWINGS ARE THE PROPERTY OF BALLY MANUFACTURING COMPANY. THEY ARE NOT TO BE REPRODUCED, COPIED, OR TRANSMITTED IN ANY FORM OR BY ANY MEANS, ELECTRONIC OR MECHANICAL, INCLUDING PHOTOCOPYING, RECORDING, OR BY ANY INFORMATION STORAGE AND RETRIEVAL SYSTEM, WITHOUT THE WRITTEN CONSENT FROM BALLY MANUFACTURING COMPANY.

FOR CLINTON ELEMENTARY SCHOOL  
 LANCASTER, SC

DATE 09/08/22  
 DRAWN BY RCB  
 CHECKED BY  
 APPROVED BY

REV DESCRIPTION BY DATE

2760

Attachment B-2

SPECIFICATIONS  
 7'-9" X 6'-9 1/2" X 8'-6"  
 INSTALLATION  
 - INDOOR  
 - LOADING HEIGHT - AT LEAST 18" OF OPEN SPACE MUST BE MAINTAINED BETWEEN TOP OF PRODUCT AND CEILING PANELS

INSULATION  
 - FLOURED IN-PLACE POLYURETHANE FOAM  
 - BALLY PANELS AND DOORS ARE CERTIFIED COMPLIANT WITH CURRENT FEDERAL DOE REGULATIONS FOR WALK IN COOLERS & FREEZERS  
 - BALLY PANELS AND DOORS EXCEED MINIMUM R-VALUES\* FOR COOLERS (MINIMUM R-25, EXCLUDING FLOORS), AND FREEZERS (MIN. R-32, EXCEPT FLOORS, WHICH ARE MIN. R-28). \*WHEN TESTED PER ASTM C518 TO FEDERAL REG. 431.304


EXTERIOR FINISH  
 - EMBOSSED GALVALUME  
 INTERIOR FINISH  
 - EMBOSSED GALVALUME  
 FLOOR FINISH  
 - (INTERIOR) 1/8" ALUMINUM DI W/ 1/2" PLYWOOD UNDERLAY  
 - (EXTERIOR) EMBOSSED GALVALUME  
 DOORS/ACCESSORIES  
 - (1) 36" X 78" RIGHT SWING HINGED WALK-IN DOOR  
 - SUPERDOOR 3RD HINGE, DT INT & EXT 30"  
 - PRP  
 - STRIP CURTAIN  
 - EXTERIOR RAMP

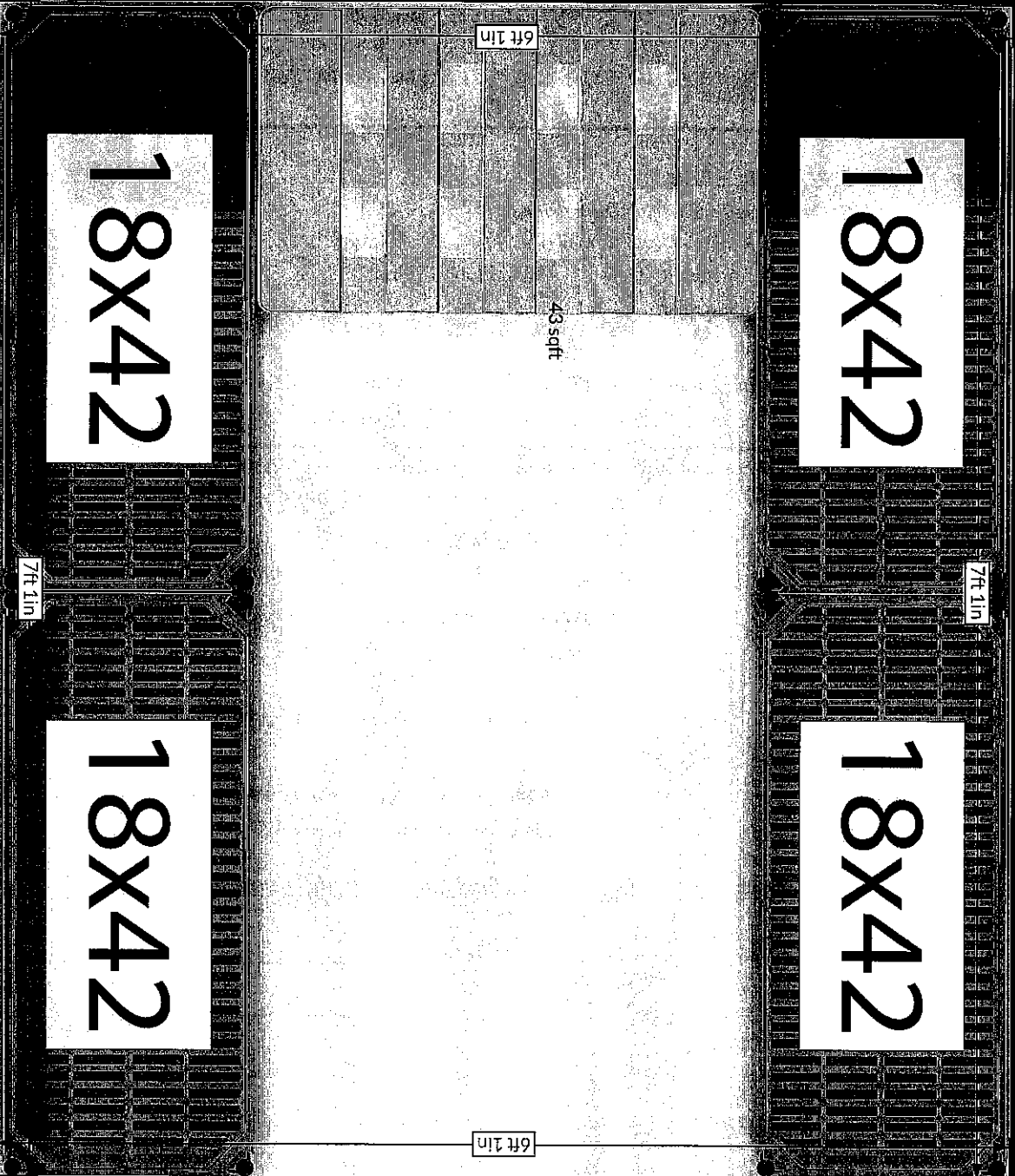
REFRIGERATION - BY BALLY (CONDENSING UNIT MOUNTED OUTDOORS)

UNIT NO	SIZE	MODEL NUMBER	COUNTRY	DATE	1/2\"/>
1	3.0	RE2020C-300-30	USA	12/20	8.2
2	3.0	RE2020C-300-30	USA	12/20	8.2
3	3.0	RE2020C-300-30	USA	12/20	8.2

\* ALL CONDENSING UNIT RAMP LISTS MUST BE SIGNED AT LEAST 142" ABOVE THE FLOOR.  
 \* REFRIGERATION COMPARTMENT DOOR LISTS MUST BE KEPT INSULATED AND TIGHTLY CLOSED.  
 \* ALL SPECIFICATIONS LISTED ABOVE ARE FOR REFERENCE. ALWAYS USE THE LATEST BALLY DRAWINGS.



Item	Qty	Description
Freezer	16 ea	<b>Shelving, with Metal Frame</b>
		Metro PR1842NK3 (270.8 lbs total. Class: 70. Cube: 16.85. Packed: 1 ea)
		 Super Erecta Pro™ Shelf, 42"W x 18"D, removable polymer shelf mat, Metroseal 3™ epoxy-coated frame, built-in Microban product protection, split sleeves, attaches to Super Erecta® round posts, NSF
	16 ea;	74PK3 Super Erecta® SiteSelect™ Post, 74-1/2"H, adjustable leveling bolt, posts are grooved at 1" increments & numbered at 2" increments, double grooved every 8", Metroseal 3 Green epoxy coated corrosion-resistant finish with Microban® antimicrobial protection
	1 ea;	HP2236PD Metro Bow-Tie™ Dunnage Rack, 22" x 36" x 12"H, slotted, with separate polymer tie for joining racks, corrosion proof polymer construction, NSF





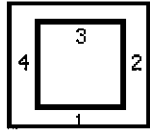
**Bally Refrigerated Boxes, Inc.**  
**Morehead City, NC 28557 (800) 242-2559**

**Last Update:** 10/12/2022  
**Revisor:** Laura Craig  
**To:** All Bidders

**Quote No:** 2759-001-R05-LC  
**Item No:**  
**Job Name:** Erwin Elementary  
**Date:** 10/12/2022 **PVD:** 10/3/2022  
**From:** Laura Craig  
 Swanson-Girard & Associates  
 10420 Southern Loop Blvd  
 Pineville, NC 28134  
**Phone:** **Fax:** (704)521-8801

**Attn:**

**Box Shape**



**Outdoor Stand Alone**

**NSF APPROVED**

**Bally Prefabricated Exterior Dimensions:**

24'-0½"(l) x 11'-7"(w) x 8'-6"(h)  
 2 Compartments 1 Tiers With Floor 4" Floor  
 Ceiling: Single Span

**Panel Thickness:**

4 in. Exterior Vertical Used (7'-10") with 4 in. Partition, 4 in. Floor, 4 in. Ceiling

**Details on Following Page(s)**

**NOTE:** Freight shown is an estimate based on current published rates. A fuel surcharge will be added and changes continuously.

**Walk-in Price:**

**Refrigeration Price:**

**Total Price (FOB Plant)** (Less Refrig. Warranties):

**Estimated Freight:**

**Optional Warranties:** (not included in Total Price)

(1) 00 3/4 HP System (5 yr. Parts , 1 yr. Labor)

(1) 04.5 HP Complete ( 5 Yr, Parts Warranty )

**Optional Accessories:** (not included in Total Price)

(1) Locking Bar with Tamperproof Screws

**Payment terms and conditions are available upon request.**

*This quotation was based on information supplied to us which may or may not have been complete. Customer is responsible for reviewing this quotation for exclusions, deviations, and any improper information supplied to us.*

**Signature:** \_\_\_\_\_

Laura Craig

**Date:** \_\_\_\_\_

*We are not responsible for the selection or recommendation of the panel finish for any building or walk-in application.*

**NOTE: Quoting Bally standard specifications, sizes, and finishes.**

**This quotation is good through 11/26/2022**

**Act of 2007 (Public Law 110-140) Title III; Section 312, regarding Walk-In Coolers and Walk-In Freezers.**



**Bally Refrigerated Boxes, Inc.**  
**Morehead City, NC 28557 (800) 242-2559**

**Last Update:** 10/12/2022  
**Revisor:** Laura Craig  
**To:** All Bidders

**Quote No:** 2759-001-R05-LC  
**Item No:**  
**Job Name:** Erwin Elementary  
**Date:** 10/12/2022 **PVD:** 10/3/2022  
**From:** Laura Craig  
 Swanson-Girard & Associates  
 10420 Southern Loop Blvd  
 Pineville, NC 28134

**Phone:** **Fax:** (704)521-8801

**Outdoor Stand Alone**

**NSF APPROVED**

**Bally Prefabricated Exterior Dimensions:**

24'-0½"(l) x 11'-7"(w) x 8'-6"(h)  
 2 Compartments 1 Tiers With Floor 4" Floor  
 Ceiling: Single Span

**Panel Thickness:**

4 in. Exterior Vertical Used (7'-10") with 4 in. Partition, 4 in. Floor, 4 in. Ceiling

**Details and specifications for Quote No:** 2759-001-R05-LC

**Comments:**

**Base Finish**

Vertical and Ceiling Panels: Embossed Galvalume (26 GA)

**Special Finishes:**

- Exterior Door - Embossed Tan
- Exterior Door Frame - Embossed Tan
- Exterior Floor - Embossed Tan
- Interior Floor - Aluminum Treadplate .125" Thick
- Wall 1 - Exterior Verticals - Embossed Tan
- Wall 2 - Exterior Verticals - Embossed Tan
- Wall 3 - Exterior Verticals - Embossed Tan
- Wall 4 - Exterior Verticals - Embossed Tan

**Doors/Openings:**

- Wall 1 Door 1 (1) 36" x 78" Hinged Door In a 46"
- Wall 1 Door 1 (1) Ext.Alum Diam/Tread Ramp (30-36" Door)
- Wall 1 Door 1 (1) Strip Curtain (36" Door and Under)
- Wall 1 Door 1 (1) Super Door 36" Wide and Under, 30" High
- Wall 1 Door 2 (1) 36" x 78" Hinged Door In a 46"
- Wall 1 Door 2 (1) Bally Standard Pressure Relief Port (< 400 sq/ft)
- Wall 1 Door 2 (1) Ext.Alum Diam/Tread Ramp (30-36" Door)
- Wall 1 Door 2 (1) Strip Curtain (36" Door and Under)
- Wall 1 Door 2 (1) Super Door 36" Wide and Under, 30" High

**Accessories and Extras:**



**Bally Refrigerated Boxes, Inc.**  
**Morehead City, NC 28557 (800) 242-2559**

**Last Update:** 10/12/2022  
**Revisor:** Laura Craig  
**To:** All Bidders

**Quote No:** 2759-001-R05-LC  
**Item No:**  
**Job Name:** Erwin Elementary  
**Date:** 10/12/2022 **PVD:** 10/3/2022  
**From:** Laura Craig  
 Swanson-Girard & Associates  
 10420 Southern Loop Blvd  
 Pineville, NC 28134

**Attn:**

**Phone:** **Fax:** (704)521-8801

- (4) 48" LED KEIL 48x754-CL-N Light  
 - 40° F to 100° F(Range)
- (74) L/F REB(Reinforced Exterior Bottom)'s
- (300) S/F Outdoor Membrane Roof  
 40 mil standard
- (300) S/F Tapered Insul 1/8" on 12"
- (64) Shear Plates (Galvanized)
- (1) The loads are 20 Lbs psf live and 114 Mph RC II Wind. The customer must verify that the loads shown on this quote comply with local building codes.
- (8) WA-3 Wall Anchor  
 Outside Vertical 4"
- (30) WA-4 Wall Anchor  
 Outside Corner 4"

**Floor Options:**

- (300) S/F 1/2" Plywood Foamed in Panel

**Refrigeration:**

- (1) BEZA 007 H8 HT3DB (208-230/3/60) w/ smart speed  
 Scroll Unit 7190 BTU
- (1) BEZA 045 L8 HT3DN (208-230/3/60)  
 Includes: Suction Accumulator
- (1) BLP107-MA-S1D 115/1/60  
 1 Fan 7000 BTU/h
- (1) BLP316LE-S2D 208-230/1/60  
 3 Fan 16200 BTU/h
- (1) Refrigeration is calculated for standard use at a box temperature of 35° F. for the cooler and -10° F. for the freezer with a condensing unit ambient of 105° F.
- (1) The refrigeration is calculated for a line run of less 50 ft.
- (1) Time Clock 8145 (shipped loose) 115/1/60

**Estimated Shipping:**

**Weight:** 8,456.66  
**Destination:** Lancaster, SC, 297\*\*



**Bally Refrigerated Boxes, Inc.**  
**Morehead City, NC 28557 (800) 242-2559**

**Last Update:** 10/12/2022  
**Revisor:** Laura Craig  
**To:** All Bidders

**Quote No:** 2759-001-R05-LC  
**Item No:**  
**Job Name:** Erwin Elementary  
**Date:** 10/12/2022 **PVD:** 10/3/2022  
**From:** Laura Craig  
 Swanson-Girard & Associates  
 10420 Southern Loop Blvd  
 Pineville, NC 28134

**Phone:** **Fax:** (704)521-8801

**Deviations (Alternates, Remarks, Clarifications, Etc.):**

Bally Floor Panels are capable of supporting up to 800 lbs. Per Sq/Ft uniformly distributed stationary loading. Bally does not recommend the use rolling loads of heavy carts, pallet jacks or fork lifts on top of the floors. Warranty for floors subjected to this type of use would not be covered by Bally.

**Quoting Bally Standard Pre-Assembled Remote Refrigeration**

**Exclusions (Items Not Supplied by Bally):**

- |   |  |
|---|--|
| <input checked="" type="checkbox"/> Shelving, Racks, Interior Accessories | <input checked="" type="checkbox"/> Caulking and Sealants                    |
| <input type="checkbox"/> Labor on Warranties                              | <input type="checkbox"/> Refrigeration Systems                               |
| <input checked="" type="checkbox"/> Alarm Systems                         | <input checked="" type="checkbox"/> Refrigeration Accessories                |
| <input checked="" type="checkbox"/> Supervision                           | <input checked="" type="checkbox"/> Closure Panel and Trim                   |
| <input checked="" type="checkbox"/> Tubing, Wiring for Rfg. Equipment     | <input checked="" type="checkbox"/> Sleeves, Penetrations, Escutcheon Plates |
| <input checked="" type="checkbox"/> Compressor Rack                       | <input checked="" type="checkbox"/> Floor Insulation and Vapor Barrier       |

**Cancelled Orders:** Cancelled unshipped standard walk-ins will be charged a 30% restocking fee plus the cost of special panels. Cancelled refrigeration systems will be charged a 30% restocking fee and the cost of any freight accrued. Buy-out items will be charged a 25% restocking fee plus any freight accrued.

**Agency Ratings:** Bally units comply or surpass applicable Flame Spread-25, UL, UL 723, & NSF standards in a manner conforming to ASTM E-84, and Factory Mutual standards.

**Quotation Limitations:** This quotation was based upon the specifications given to Bally which may possibly be incomplete. Bally is not responsible for items missing from the quotation due to incomplete or excluded items in the specifications received from the customer. The customer is responsible for reviewing the quotation for omissions or deviations from the specifications given to Bally. All portions of the quotation are subject to revision upon receipt of detailed specifications or if changes are made following the delivery of the original quotation. Quotations expire on the date indicated on Page 1 of the Quote. Approval drawings must be returned within 60 days of receipt of the purchase order. The order must ship within the agreed upon time frames or current lead times, but no later than 7 months. Any deviations to this quotation (dimensions or specification changes) will require updated pricing.

**Panel Construction:** Bally Panels are manufactured with environmentally friendly HFC 245-FA polyurethane foam. This polyurethane foam offers the highest thermal insulation value and the most energy efficiency per cubic inch in comparison to similar foams. It has a zero Ozone Depletion Potential (ODP) and a low Global Warming Potential (GWP). It is not considered a Volatile Organic Compound (VOC) in the US. Standard 4" Bally panels meet the 2009 Federal Energy Standards.

**Refrigerants:** Unless otherwise specified, refrigeration systems are quoted with environmentally friendly HFO R448A refrigerant. It has a Low Global Warming Potential (GWP) and the EPA lists it as an acceptable substitute for R404A and other high GWP refrigerants.

**Automatic Door Closers:** Bally includes automatic door closers and spring loaded hinges on all doors 42" wide and smaller as a standard feature with no additional charge that meet the 2009 Federal Energy Standards.

**Motors:** Bally units are quoted with EC and PSC motors in compliance with federal energy standards, for increased energy savings.

**Lighting:** Bally units are quoted with lighting in compliance with federal Energy Standards for increased energy savings.

**Optional Features:** Bally offers additional optional energy-saving features such as Walk-In Alarm & Light Management systems that comply or surpass the 2009 Federal energy regulations.



**Bally Refrigerated Boxes, Inc.**  
**Morehead City, NC 28557 (800) 242-2559**

**Last Update:** 10/12/2022  
**Revisor:** Laura Craig  
**To:** All Bidders

**Quote No:** 2759-001-R05-LC  
**Item No:**  
**Job Name:** Erwin Elementary  
**Date:** 10/12/2022 **PVD:** 10/3/2022  
**From:** Laura Craig  
 Swanson-Girard & Associates  
 10420 Southern Loop Blvd  
 Pineville, NC 28134

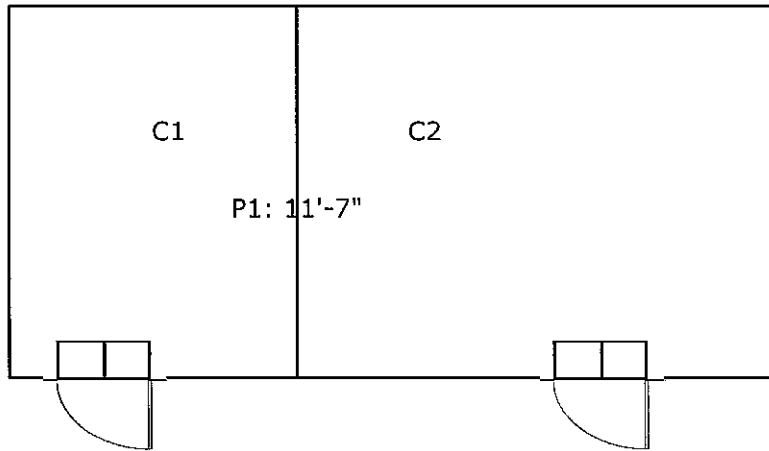
**Attn:**

**Phone:** **Fax:** (704)521-8801

This drawing is for reference purposes only and it not intended to be a formal scale model.

w3: 24'-0½"

w4: 11'-7"

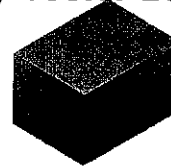


w2: 11'-7"

w1: 24'-0½"

DOOR 1: Wall1 36" x 78" Hinged Door In a 46" Offset:4'-6" Hinge:Right Orientaion:Regular  
 DOOR 2: Wall1 36" x 78" Hinged Door In a 46" Offset:20'-0" Hinge:Right Orientaion:Regular  
 PARTITION 1: Wall 1 Offset:9'-0" from wall 4 Connect

# Erwin Elementary Cooler LOAD CALCULATION



COOLING REQUIREMENTS									
Application	General Walk-in Cooler			Location	Outdoor Warm				
Internal Temp	35 °F	Internal RH	84%	External Temp	95 °F	External RH	55%		
Wall Load	1,091 BTUH	Infiltration	1,306 BTUH	Products	550 BTUH	Miscellaneous	549 BTUH		
	31%		37%		16%		16%		
WALL, FLOOR AND CEILING LOADS									
Section	Construction	Thickness (in)	K Factor	R Value	Ext Temp (°F)	Dim 1 (ft)	Dim 2 (ft)	Area (ft²)	Load (BTUH)
Rear	Urethane, Standard panels	4.000	0.14	28.11	35.0	11.58	8.50	98	
Right End	Urethane, Standard panels	4.000	0.14	28.11	99.0	8.71	8.50	55	124
	Door			15.00	99.0	3.00	6.50	20	83
Front	Urethane, Standard panels	4.000	0.14	28.11	99.0	11.58	8.50	98	224
Left End	Urethane, Standard panels	4.000	0.14	28.11	99.0	8.71	8.50	74	169
Floor	Insulated Floor - Panels On Concrete On Grade	10.000	0.31	32.32		11.58	8.71	101	244
Ceiling	Urethane, Standard panels	4.000	0.14	28.11	104.0	11.58	8.71	101	248
<b>VOLUME (ft³)</b>		<b>857</b>	<b>TOTAL WALL, FLOOR AND CEILING LOAD</b>				<b>1,091</b>		
INFILTRATION LOAD : ESTIMATED BY DOORS AND OPENINGS									
Quantity	Door or Opening Type		Height (in)	Width (in)	External Temp (°F)	External Rh (%)	Open Time (hrs)	Curtains	Load (BTUH)
1	Door		78.00	36.00	99.0	55.0	0.18	None	1,306
<b>TOTAL INFILTRATION LOAD ESTIMATED BY DOORS AND OPENINGS</b>									<b>1,306</b>
PRODUCT LOADS									
Type			Weight (lb)	Enter Temp (°F)	Final Temp (°F)	Pull Down (hrs)	Load (BTUH)		
General, Mixed Products, Approximation			1,715	45.0	35.0	24	550		
<b>TOTAL PRODUCT WEIGHT (lbs)</b>			<b>1,715</b>	<b>TOTAL PRODUCT LOAD</b>			<b>550</b>		
MISCELLANEOUS LOADS									
Quantity	Description			Power	Units	Run Time (hrs)	Load (BTUH)		
	LIGHTING			1	W/ft²	24	344		
1	EVAPORATOR MOTORS			60	W	24	205		
<b>TOTAL MISCELLANEOUS LOAD</b>									<b>549</b>
SYSTEM DESIGN SUMMARY									
Design Load (BTUH)	Safety Factor	Safety Load (BTUH)	Run Time (Hours)	Capacity Required (BTUH)	Refrigerant	Line Frequency (Hz)	Design TD (°F)	Line Loss (°F)	Condenser Ambient (°F)
3,496	10%	3,846	16	5,769	R448A	60	10.1	0.5	105
SYSTEM EQUIPMENT SELECTION									
Equipment Type	Quantity	Model Number	Description			Voltage	Rating (BTUH)		
Condensing Unit	1	BEZA007H8-HT3D	EZ-Line Scroll Condensing Units-Air			208-230/3/60	6,591		
Evaporator	1	BLP107MA-S1D	Low Profile Evaporator			115/1/60	7,106		
SYSTEM BALANCE									
Fan Load (BTUH)		Suction Temp (°F)		Evaporator TD (°F)		System Capacity (BTUH)			
		25		9.5		6,672			





**NATIONAL REFRIGERATION AND  
AIR CONDITIONING CANADA CORP.**  
159 ROY BLVD, PO BOX 2020  
BRANTFORD, ON  
CANADA N3T 5Y6

**BEZA007H8-HT3D**

**EZ-LINE SCROLL  
CONDENSING UNITS-AIR**

PURCHASER :

SUBMITTED BY : **Laura Craig**

PROJECT : **Erwin Elementary**

DATE : **11 Oct 2022**

ORDER # : **06339.36374.00469-A00**

ITEM # : **1**

QUOTE # : **Q11EULCA-A**

ID # :

PURCHASER'S PO # :

TAGGING :

**MODEL FEATURES**

- 3/8" Tubing coil construction (reduces refrigerant operating charge)
- Anti-short cycle time delay
- Adjustable pressure fan cycling control on 2 fan models only
- Copper tubing secured with cushion clamps
- Crankcase heater
- Discharge line temperature sensor
- Fan Guard
- Fan motors are inherently protected with internal overloads
- Pre-formed piping
- Receiver with fusible plug and liquid shut off valve
- Suction Service valve
- Adjustable flooded head pressure control (unless otherwise indicated)
- Units are shipped with Helium holding charge
- Weatherproof electrical control box with compressor contactor and fused control circuit
- Welded hermetic Scroll compressor
- Adjustable low pressure control with flex hose / fixed high pressure control
- ECM with SmartSpeed Technology
- High efficiency enhanced copper tube and aluminium fin coil design
- Compatible with Low GWP Refrigerants
- Outdoor weatherproof pre-painted steel cabinet

**MODEL OPTIONS ( \* = Shipped Loose )**

<p><b>OPTION PACKAGES</b></p> <p><input checked="" type="checkbox"/> Small B (Good@Warm/Moderate)</p> <p><input type="checkbox"/> Small N (Better@Warm/Moderate)</p> <p><input type="checkbox"/> Small P (Best@Warm/Moderate)</p> <p><input type="checkbox"/> Small D (Good@Moderate/Cold)</p> <p><input type="checkbox"/> Small J (Better@Moderate/Cold)</p> <p><input type="checkbox"/> Small Q (Best@Moderate/Cold)</p> <p><input type="checkbox"/> Small K</p> <p><input type="checkbox"/> Small H</p> <p><b>115V Control Circuit</b></p> <p><input type="checkbox"/> Johnson Dual with flex hose</p> <p><input type="checkbox"/> Separate High/Low</p> <p><input type="checkbox"/> Separate High/Low: MAN Reset on HP</p> <p><b>BALL VALVE</b></p> <p><input type="checkbox"/> *Liquid Line</p> <p><input type="checkbox"/> Liquid Line</p> <p><input type="checkbox"/> *Suction Line</p> <p><input type="checkbox"/> Suction Line</p> <p><b>CAPACITY CONTROL - HOT GAS BYPASS</b></p> <p><input type="checkbox"/> To Inlet of Evaporator</p> <p><input type="checkbox"/> To Suction Line</p> <p><b>Compressor Circuit Breaker</b></p> <p><input type="checkbox"/> <b>CONDENSING UNIT PRISON PACKAGE</b></p> <p><input type="checkbox"/> Tamper Proof Screws</p> <p><input type="checkbox"/> <b>Crankcase Pressure Regulator</b></p> <p><b>CONTACTORS</b></p> <p><input type="checkbox"/> 30A Contactor</p> <p><input type="checkbox"/> 40A Contactor</p> <p><input type="checkbox"/> 60A Contactor</p>	<p><b>DEFROST KIT (USE W/KE2 EVAP EFF)</b></p> <p><input type="checkbox"/> Up to 30A per Evap</p> <p><input type="checkbox"/> 35A to 50A per Evap</p> <p><input type="checkbox"/> Over 50A per Evap</p> <p><input type="checkbox"/> <b>Discharge Air Hood</b></p> <p><input type="checkbox"/> <b>Discharge Line Check Valve</b></p> <p><b>DISCONNECT SWITCH</b></p> <p><input type="checkbox"/> Fused</p> <p><input type="checkbox"/> Non-Fused</p> <p><input type="checkbox"/> <b>EC FAN MOTORS + SPEED CONTROLLER</b></p> <p><input type="checkbox"/> All Motors Variable Speed - 230V Units</p> <p><b>ELECTRONIC PRESSURE CONTROL</b></p> <p><input type="checkbox"/> Low Pressure Control</p> <p><input type="checkbox"/> High Pressure Control</p> <p><input type="checkbox"/> <b>Export Crating</b></p> <p><input type="checkbox"/> <b>EXTENDED 4-YEAR COMPRESSOR WARRANTY</b></p> <p><input type="checkbox"/> Copeland</p> <p><input type="checkbox"/> <b>Extended Leg Kit</b></p> <p><b>COIL COATING</b></p> <p><input type="checkbox"/> E-Coat</p> <p><b>FIN MATERIAL</b></p> <p><input type="checkbox"/> Gold Coat Fins</p> <p><input type="checkbox"/> Copper Fins</p> <p><input type="checkbox"/> <b>Hail Guard for Condenser</b></p> <p><input type="checkbox"/> <b>Heated and Insulated Receiver</b></p> <p><b>HOUSING MATERIAL</b></p> <p><input type="checkbox"/> Stainless Steel</p> <p><input type="checkbox"/> <b>Insulated Suction Line</b></p>	<p><b>LIQUID LINE FILTER + SIGHT GLASS</b></p> <p><input checked="" type="checkbox"/> Sealed</p> <p><input type="checkbox"/> Replaceable</p> <p><input type="checkbox"/> <b>Liquid Line Lock-Out Relay</b></p> <p><b>LIQUID LINE SOLENOID VALVE</b></p> <p><input type="checkbox"/> *Standard 230V Coil</p> <p><input type="checkbox"/> *Standard 115V Coil</p> <p><b>OIL SEPARATOR</b></p> <p><input type="checkbox"/> With Oil Filter and Solenoid</p> <p><input type="checkbox"/> <b>One Time Pump Down</b></p> <p><input type="checkbox"/> <b>Oversized Receiver</b></p> <p><b>PHASE / VOLTAGE MONITOR</b></p> <p><input type="checkbox"/> 3-Lead</p> <p><input type="checkbox"/> 6-Lead (MotorSaver455)</p> <p><input type="checkbox"/> <b>Pump Down Toggle Switch</b></p> <p><input type="checkbox"/> <b>QuickVac Valves</b></p> <p><input type="checkbox"/> <b>Receiver Inlet Ball Valve</b></p> <p><input type="checkbox"/> <b>Single Point Electrical SUCTION ACCUMULATOR</b></p> <p><input type="checkbox"/> With Heat Exchanger</p> <p><input type="checkbox"/> Without Heat Exchanger</p> <p><b>SUCTION FILTER</b></p> <p><input type="checkbox"/> Sealed Type</p> <p><input type="checkbox"/> Replaceable Core</p> <p><b>TIME CLOCK</b></p> <p><input type="checkbox"/> Paragon 8145 Style</p> <p><input type="checkbox"/> *230V Paragon 8145 Style</p> <p><input checked="" type="checkbox"/> *115V Paragon 8145 Style</p> <p><input type="checkbox"/> <b>Wind Guard</b></p> <p><input type="checkbox"/> <b>Less Flooding Valve(s)</b></p>
--	---	--

VOLTAGE		SYSTEM REFRIGERANT		RATING		SUCTION TEMP		AMBIENT TEMP		CAPACITY	
208-230/3/60		R448A		0.7Hp		25 °F		105 °F		6672 BTUH	
FANS				COMPRESSOR				CIRCUIT TOTAL			
QTY	POWER	FLA/FAN	TYPE	QTY	RLA	LRA	AMPS	WATTS	MCA†	MOP‡	
1	100W	1	ZB06KAE-TF5	1	4.8	37.8	5.8		7	15	
LIQUID		3/8 in		SOUND		-		REC CAPACITY		5 lb	
SUCTION		5/8 in		WEIGHT		183 lb		REF CHARGE		3 lb	

NOTES:  
 † MCA.. Minimum Circuit Ampacity, ‡ MOP.. Maximum Overcurrent Protection  
 MCA & MOP are for the condensing unit ONLY. Single point connections WILL show different on dataplate.  
 AWEF = 7.6 for R404A/R507/R407A/R448A/R449A. Non-compliant DOE NRCAN model for all other refrigerants



**APPROVED BY :** \_\_\_\_\_ **DATE :** \_\_\_\_\_

Approval of this drawing signifies that the equipment is acceptable under the provision of the job specifications. Any change made hereon by any person whomsoever subject to acceptance by NATIONAL REFRIGERATION at its home office.



**NATIONAL REFRIGERATION AND  
AIR CONDITIONING CANADA CORP.**

159 ROY BLVD, PO BOX 2020  
BRANTFORD, ON  
CANADA N3T 5Y6

**BEZA007H8-HT3D**

**EZ-LINE SCROLL  
CONDENSING UNITS-AIR**

PURCHASER :

SUBMITTED BY : **Laura Craig**

PROJECT : **Erwin Elementary**

DATE : **11 Oct 2022**

ORDER # : **06339.36374.00469-A00**

ITEM # : **1**

QUOTE # : **Q11EULCA-A**

ID # :

PURCHASER'S PO # :

TAGGING :

**SELECTED OPTION DESCRIPTIONS**

**Liquid Line Filter + Sight Glass - Sealed**

Sporlan C Series with ODF solder connections and Sporlan SA moisture indicator factory installed in liquid line.

**Option Packages - Small B (Good@Warm/Moderate)**

LLFD+SG

**Time Clock - 115V Paragon 8145 Style**

115V Defrost timer is time initiated, temperature or pressure terminated with a timed failsafe. Timer is shipped loose in a box for field installation.

Approval of this drawing signifies that the equipment is acceptable under the provision of the job specifications. Any change made hereon by any person whomsoever subject to acceptance by NATIONAL REFRIGERATION at its home office.



**NATIONAL REFRIGERATION AND AIR CONDITIONING CANADA CORP.**

159 ROY BLVD, PO BOX 2020  
BRANTFORD, ON  
CANADA N3T 5Y6

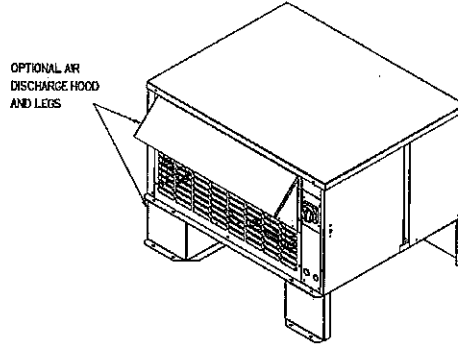
Order Item No: 1  
**BEZA007H8-HT3D**  
EZ-LINE SCROLL  
CONDENSING UNITS-AIR

NATIONAL REFRIGERATION will furnish equipment in accordance with this drawing and specifications, and subject to its published warranty. Approval of this drawing signifies that the equipment is acceptable under the provision of the job specifications. Any change made hereon by any person whomsoever subject to acceptance by NATIONAL REFRIGERATION at its home office.

DATE : 11 Oct 2022  
PURCHASER :  
PROJECT : Erwin Elementary  
SUBMITTED BY : Laura Craig

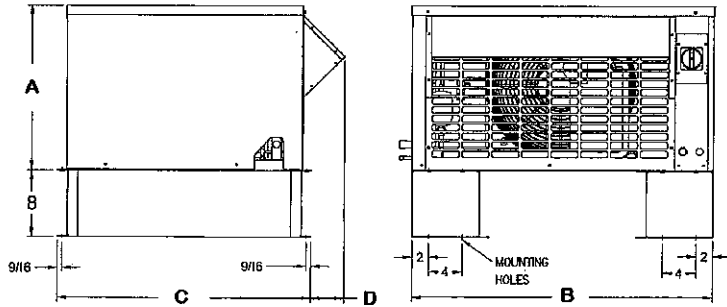
Dimensions shown are for standard unit less options.

DIMENSIONS	
DIMENSION A	19 3/8 in
DIMENSION B	24 7/8 in
DIMENSION C	30 3/8 in
DIMENSION D	4 in
DIMENSION E	
DIMENSION F	
DIMENSION G	0 in
DIMENSION H	



CONNECTIONS	
LIQUID	3/8 in
SUCTION	5/8 in
DRAIN	
WATER	
DISCHARGE	
PAN LOOP	
HOT GAS SIDE PORT	
HOT GAS INLET	
HOT GAS OUTLET	
OTHER	
SHIPPING WEIGHT	183 lb
REFRIGERANT CHARGE	3 lb
RECEIVER CAPACITY	5 lb

APPROVALS			



NOTES:

AWEF = 7.6 for R404A/R507/R407A/R448A/R449A. Non-compliant DOE NRCAN model for all other refrigerants



**NATIONAL REFRIGERATION AND AIR CONDITIONING CANADA CORP.**

159 ROY BLVD, PO BOX 2020  
BRANTFORD, ON  
CANADA N3T 5Y6

**BLP107MA-S1D**

**LOW PROFILE EVAPORATOR**

PURCHASER :

SUBMITTED BY : **Laura Craig**

PROJECT : **Erwin Elementary**

DATE : **11 Oct 2022**

ORDER # : **06339.36374.00469-A00**

ITEM # : **3**

QUOTE # : **Q11EULCA-A**

ID # :

PURCHASER'S PO # :

TAGGING :

**MODEL FEATURES**

- 3/8" Tubing coil construction (reduces refrigerant operating charge)
- Factory installed solenoid valve wire harness
- Heavy gauge textured aluminum cabinet construction resists scratches/corrosion
- Spacious piping end compartment allows for easy assembly
- Hinged drain pan with central universal drain connection (3/4" drain)
- Front access to spacious electrical and header compartments
- Schrader connection on suction header
- Attractive and durable high density polyethylene fan guards
- Ultra efficient Electronically Commutated Motor (ECM)
- ECM with SmartSpeed Technology
- High efficiency enhanced copper tube and aluminium fin coil design
- 6 FPI
- AWEF = 9.0
- Unit Cooler is AWEF/NRCAN compliant with R404A/R507/R448A/R449A/R407A/R407C

**MODEL OPTIONS ( \* = Shipped Loose )**

- |  |   |   |
|--|---|---|
| <p><b>PRE-ASSEMBLED EVAP</b></p> <p><input type="checkbox"/> SmartVap+ with EEV + Solv</p> <p><input checked="" type="checkbox"/> Sporlan TXV, LLSV,T-stat</p> <p><input type="checkbox"/> KE2 Evap Efficiency w/Sporlan EEV</p> <p><input type="checkbox"/> *KE2 Evap Efficiency w/Sporlan EEV</p> <p><input type="checkbox"/> <b>Aux Sideport Connector</b></p> <p><b>CABINET FINISH</b></p> <p><input type="checkbox"/> Painted White</p> <p><input type="checkbox"/> Stainless Steel</p> <p><b>SENSORS FOR CPC BOARDS</b></p> <p><input type="checkbox"/> Coil Temp Sensor</p> <p><input type="checkbox"/> Return Air Temp Sensor</p> <p><b>DEMAND DEFROST ELECTRONIC CONTROLLER</b></p> <p><input type="checkbox"/> KE2 Therm Evaporator Efficiency</p> <p><input type="checkbox"/> *KE2 Therm Evaporator Efficiency</p> <p><input type="checkbox"/> <b>Dual Circuit</b></p> <p><b>ELECTRONIC CONTROLLER</b></p> <p><input type="checkbox"/> KE2 Temp+Defrost</p> <p><input type="checkbox"/> SmartVap+ Control Board and Display</p> | <p><b>EXPANSION VALVE</b></p> <p><input checked="" type="checkbox"/> 1 Sporlan TXV</p> <p><input type="checkbox"/> Sporlan EEV</p> <p><input type="checkbox"/> EEV for SmartVap+</p> <p><input type="checkbox"/> <b>Evaporator Disconnect Switch</b></p> <p><b>EVAPORATOR PRISON PACKAGE</b></p> <p><input type="checkbox"/> Tamper Proof Screws</p> <p><input type="checkbox"/> <b>Export Crating</b></p> <p><b>COIL COATING</b></p> <p><input type="checkbox"/> E-Coat</p> <p><b>FIN MATERIAL</b></p> <p><input type="checkbox"/> Gold Coat Fins</p> <p><input type="checkbox"/> Copper Fins</p> <p><input type="checkbox"/> <b>Insulated Drain Pan</b></p> <p><b>KE2 THERM</b></p> <p><input type="checkbox"/> *CAT5e Shielded Cable - 50ft w/connectors</p> <p><input type="checkbox"/> 40' Leads on Sensors + Transducers</p> <p><input type="checkbox"/> Ethernet Adapter Kit</p> <p><input type="checkbox"/> *Remote Combo Display</p> <p><input type="checkbox"/> *<b>Liquid / Suction Heat Exchanger</b></p> | <p><b>LIQUID LINE SOLENOID VALVE</b></p> <p><input checked="" type="checkbox"/> 1 Sporlan</p> <p><input type="checkbox"/> <b>Dual Voltage Coil 120-230V Field Wired</b></p> <p><input type="checkbox"/> <b>Nitrogen Charged and Sealed</b></p> <p><b>ROOM THERMOSTATS</b></p> <p><input checked="" type="checkbox"/> 1 Mechanical</p> <p><input type="checkbox"/> *Mechanical</p> <p><input type="checkbox"/> *Johnson A19ABC</p> <p><input type="checkbox"/> *Johnson A421ABC-02C</p> <p><input type="checkbox"/> Johnson A421ABC-02</p> <p><input type="checkbox"/> <b>Wire Fan Guards</b></p> <p><b>REMOTE DEFROST PANEL</b></p> <p><input type="checkbox"/> *230V Control</p> <p><input type="checkbox"/> *115V Control</p> <p><b>INSTALLATION REQUIREMENTS</b></p> <p><input checked="" type="checkbox"/> 1 Minimum slope of 1" per foot on all drain lines</p> <p><input checked="" type="checkbox"/> 1 P-trap per evap required outside of box</p> |
|--|---|---|

VOLTAGE		SYSTEM REFRIGERANT		AIR FLOW	EVAP. TEMP	BOX TEMP	CAPACITY
115/1/60		R448A		680 CFM	25.5 °F	35 °F	6672 BTUH
FANS			HEATERS			CIRCUIT TOTAL	
QTY	POWER	FLA/FAN	TYPE	QTY	AMPS	AMPS	WATTS
1	0.07HP	1				1	60
							MCA†
							1.3
							MOP‡
							15
DISTRIBUTOR	3/8 in	SOUND	-	REC CAPACITY			APPROVALS
SUCTION	5/8 in	WEIGHT	48 lb	REF CHARGE	1 lb		
NOTES:							
† MCA.. Minimum Circuit Ampacity, ‡ MOP.. Maximum Overcurrent Protection							

**APPROVED BY :** \_\_\_\_\_ **DATE :** \_\_\_\_\_

Approval of this drawing signifies that the equipment is acceptable under the provision of the job specifications. Any change made hereon by any person whomsoever subject to acceptance by NATIONAL REFRIGERATION at its home office.



**NATIONAL REFRIGERATION AND  
AIR CONDITIONING CANADA CORP.**

159 ROY BLVD, PO BOX 2020  
BRANTFORD, ON  
CANADA N3T 5Y6

**BLP107MA-S1D**

**LOW PROFILE  
EVAPORATOR**

PURCHASER :

SUBMITTED BY : **Laura Craig**

PROJECT : **Erwin Elementary**

DATE : **11 Oct 2022**

ORDER # : **06339.36374.00469-A00**

ITEM # : **3**

QUOTE # : **Q11EULCA-A**

ID # :

PURCHASER'S PO # :

TAGGING :

**SELECTED OPTION DESCRIPTIONS**

**Expansion Valve - Sporlan TXV**

May be Type EBQ, S, SBF, O externally equalized thermostatic expansion valve. Valves are selected using the specified capacity and operating conditions of the refrigeration system as specified on the accompanying Certified Prints.

**Installation Requirements - Minimum slope of 1" per foot on all drain lines**

Bally recommends a minimum slope of 1" per foot on all drain lines.

**Installation Requirements - P-trap per evap required outside of box**

All evaporators must be trapped individually outside of the box to prevent vapor migration back to coil surface.

**Liquid Line Solenoid Valve - Sporlan**

Sporlan solenoid coil voltage matches evaporator voltage except when evaporator is 460V, then 230V solenoid coil is used. Exceptions must be clearly explained in the Notes of the option.

**Pre-assembled Evap - Sporlan TXV, LLSV,T-stat**

Option Package consists of factory installed Sporlan balance port TXV, Sporlan liquid line solenoid valve and Johnson Controls A19 Room thermostat.

**Room Thermostats - Mechanical**

Single stage temperature control with Single-Pole, Double-Throw (SPDT) mechanical switch. May be Johnson A19 or equal, Operating range of -30°F to +100°F. Adjustable differential of 3°F to 12°F. Factory installed and wired.

Approval of this drawing signifies that the equipment is acceptable under the provision of the job specifications. Any change made hereon by any person whomsoever subject to acceptance by NATIONAL REFRIGERATION at its home office.



**NATIONAL REFRIGERATION AND AIR CONDITIONING CANADA CORP.**

159 ROY BLVD, PO BOX 2020  
BRANTFORD, ON  
CANADA N3T 5Y6

Order Item No: 3  
**BLP107MA-S1D**  
**LOW PROFILE EVAPORATOR**

NATIONAL REFRIGERATION will furnish equipment in accordance with this drawing and specifications, and subject to its published warranty. Approval of this drawing signifies that the equipment is acceptable under the provision of the job specifications. Any change made hereon by any person whomsoever subject to acceptance by NATIONAL REFRIGERATION at its home office.

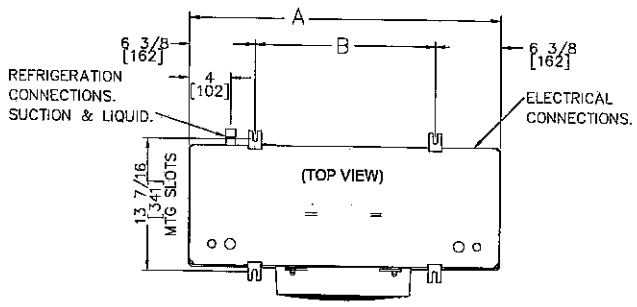
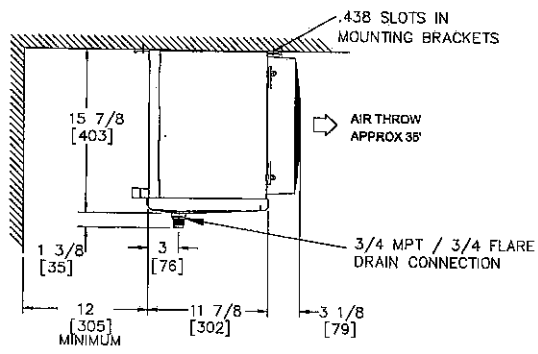
DATE : 11 Oct 2022  
PURCHASER :  
PROJECT : **Erwin Elementary**  
SUBMITTED BY : **Laura Craig**

Dimensions shown are for standard unit less options.

DIMENSIONS	
DIMENSION A	30 1/4 in
DIMENSION B	17 1/4 in
DIMENSION C	
DIMENSION D	
DIMENSION E	
DIMENSION F	
DIMENSION G	0 in
DIMENSION H	

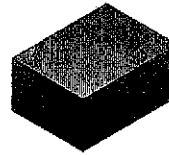
CONNECTIONS	
DISTRIBUTOR	3/8 in
SUCTION	5/8 in
DRAIN	3/4 in
WATER	
DISCHARGE	
PAN LOOP	
HOT GAS SIDE PORT	
HOT GAS INLET	
HOT GAS OUTLET	
OTHER	
SHIPPING WEIGHT	48 lb
REFRIGERANT CHARGE	1 lb
RECEIVER CAPACITY	

APPROVALS			



NOTES:

# Erwin Elementary Freezer LOAD CALCULATION



COOLING REQUIREMENTS									
Application	General Walk-in Freezer			Location		Outdoor Warm			
Internal Temp	-10 °F	Internal RH	95%	External Temp	95 °F	External RH	55%		
Wall Load	3,079 BTUH	Infiltration	3,070 BTUH	Products	272 BTUH	Miscellaneous	1,172 BTUH		
	41%		40%		4%		15%		
WALL, FLOOR AND CEILING LOADS									
Section	Construction	Thickness (in)	K Factor	R Value	Ext Temp (°F)	Dim 1 (ft)	Dim 2 (ft)	Area (ft²)	Load (BTUH)
Rear	Urethane, Standard panels	4.000	0.14	28.11	99.0	15.42	8.50	131	508
Right End	Urethane, Standard panels	4.000	0.14	28.11	99.0	11.58	8.50	98	382
Front	Urethane, Standard panels	4.000	0.14	28.11	99.0	15.42	8.50	112	433
	Door			15.00	99.0	3.00	6.50	20	141
Left End	Urethane, Standard panels	4.000	0.14	28.11	45.0	11.58	8.50	98	193
Floor	Insulated Floor - Panels On Concrete On Grade	10.000	0.31	32.32		15.42	11.58	179	699
Ceiling	Urethane, Standard panels	4.000	0.14	28.11	104.0	15.42	11.58	179	724
<b>VOLUME (ft³)</b>		<b>1,518</b>	<b>TOTAL WALL, FLOOR AND CEILING LOAD</b>					<b>3,079</b>	
INFILTRATION LOAD : ESTIMATED BY VOLUME AND USAGE									
Box Usage	Internal Temp (°F)	Internal Rh (%)	External Temp (°F)	External Rh (%)	Ventilation (CFM)	Load (BTUH)			
Regular	-10	95	95	55		3,070			
PRODUCT LOADS									
Type			Weight (lb)	Enter Temp (°F)	Final Temp (°F)	Pull Down (hrs)	Load (BTUH)		
General, Mixed Products, Approximation			1,518	0.0	-10.0	24	272		
<b>TOTAL PRODUCT WEIGHT (lbs)</b>			<b>1,518</b>	<b>TOTAL PRODUCT LOAD</b>			<b>272</b>		
MISCELLANEOUS LOADS									
Quantity	Description			Power	Units	Run Time (hrs)	Load (BTUH)		
	LIGHTING			1	W/ft²	24	609		
3	EVAPORATOR MOTORS			60	W	22	563		
<b>TOTAL MISCELLANEOUS LOAD</b>							<b>1,172</b>		
SYSTEM DESIGN SUMMARY									
Design Load (BTUH)	Safety Factor	Safety Load (BTUH)	Run Time (Hours)	Capacity Required (BTUH)	Refrigerant	Line Frequency (Hz)	Design TD (°F)	Line Loss (°F)	Condenser Ambient (°F)
7,593	10%	8,353	18	11,137	R448A	60	10	0.5	105
SYSTEM EQUIPMENT SELECTION									
Equipment Type	Quantity	Model Number	Description			Voltage	Rating (BTUH)		
Condensing Unit	1	BEZA045L8-HT3D	EZ-Line Scroll Condensing Units-Air			208-230/3/60	12,860		
Evaporator	1	BLP316LE-S2D	Low Profile Evaporator			208-230/1/60	16,274		
SYSTEM BALANCE									
Fan Load (BTUH)		Suction Temp (°F)		Evaporator TD (°F)		System Capacity (BTUH)			
		-18.7		8.2		13,438			



**NATIONAL REFRIGERATION AND  
AIR CONDITIONING CANADA CORP.**

159 ROY BLVD, PO BOX 2020  
BRANTFORD, ON  
CANADA N3T 5Y6

**BEZA045L8-HT3D**

**EZ-LINE SCROLL  
CONDENSING UNITS-AIR**

PURCHASER :

SUBMITTED BY : **Laura Craig**

PROJECT : **Erwin Elementary**

DATE : **11 Oct 2022**

ORDER # : **06339.36374.00469-A00**

ITEM # : **4**

QUOTE # : **Q11EULCA-A**

ID # :

PURCHASER'S PO # :

TAGGING :

**MODEL FEATURES**

- 3/8" Tubing coil construction (reduces refrigerant operating charge)
- Anti-short cycle time delay
- Adjustable pressure fan cycling control on 2 fan models only
- Copper tubing secured with cushion clamps
- Crankcase heater
- Discharge line temperature sensor
- Fan Guard
- Fan motors are inherently protected with internal overloads
- Pre-formed piping
- Receiver with fusible plug and liquid shut off valve
- Suction Service valve
- Adjustable flooded head pressure control (unless otherwise indicated)
- Units are shipped with Helium holding charge
- Weatherproof electrical control box with compressor contactor and fused control circuit
- Welded hermetic Scroll compressor
- Adjustable low pressure control with flex hose / fixed high pressure control
- High efficiency enhanced copper tube and aluminium fin coil design
- Compatible with Low GWP Refrigerants
- Outdoor weatherproof pre-painted steel cabinet
- AWEF = 3.15

**MODEL OPTIONS ( \* = Shipped Loose )**

- OPTION PACKAGES**
- 1 Small B (Good@Warm/Moderate)
  - Small N (Better@Warm/Moderate)
  - Small P (Best@Warm/Moderate)
  - Small D (Good@Moderate/Cold)
  - Small J (Better@Moderate/Cold)
  - Small Q (Best@Moderate/Cold)
  - Small K
  - Small H
- ELECTRIC DEFROST KIT**
- 1 DFK-02
  - 115V Control Circuit
- ADJUSTABLE PRESSURE CONTROLS**
- Johnson Dual with flex hose
  - Separate High/Low
  - Separate High/Low: MAN Reset on HP
- BALL VALVE**
- \*Liquid Line
  - Liquid Line
  - \*Suction Line
  - Suction Line
- CAPACITY CONTROL - HOT GAS BYPASS**
- To Inlet of Evaporator
  - To Suction Line
- Compressor Circuit Breaker**
- Compressor Circuit Breaker
- CONDENSING UNIT PRISON PACKAGE**
- Tamper Proof Screws
- Crankcase Pressure Regulator**
- Crankcase Pressure Regulator
- CONTACTORS**
- 30A Contactor
  - 40A Contactor
  - 60A Contactor
- DEFROST KIT (USE W/KE2 EVAP EFF)**
- Up to 30A per Evap
  - 35A to 50A per Evap
  - Over 50A per Evap
  - Discharge Air Hood
  - Discharge Line Check Valve
  - Discharge Line Temperature Sensor
  - DISCONNECT SWITCH
    - Fused
    - Non-Fused
- EC FAN MOTORS + SPEED CONTROLLER**
- All Motors Variable Speed - 230V Units
  - SmartSpeed
- ELECTRONIC PRESSURE CONTROL**
- Low Pressure Control
  - High Pressure Control
  - Export Crating
- EXTENDED 4-YEAR COMPRESSOR WARRANTY**
- Copeland
  - Extended Leg Kit
- COIL COATING**
- E-Coat
- FIN MATERIAL**
- Gold Coat Fins
  - Copper Fins
- Hail Guard for Condenser**
- Hail Guard for Condenser
- Heated and Insulated Receiver**
- Heated and Insulated Receiver
- HOUSING MATERIAL**
- Stainless Steel
- Insulated Suction Line**
- Insulated Suction Line
- LIQUID LINE FILTER + SIGHT GLASS**
- 1 Sealed
- LIQUID LINE FILTER + SIGHT GLASS Continued**
- Replaceable
  - Liquid Line Lock-Out Relay
  - LIQUID LINE SOLENOID VALVE
    - \*Standard 230V Coil
    - \*Standard 115V Coil
  - OIL SEPARATOR
    - With Oil Filter and Solenoid
  - One Time Pump Down
  - Oversized Receiver
  - PHASE / VOLTAGE MONITOR
    - 3-Lead
    - 6-Lead (MotorSaver455)
  - Pump Down Toggle Switch
  - QuickVac Valves
  - Receiver Inlet Ball Valve
  - Single Point Electrical
  - Sub Cooling Circuit
  - SUCTION ACCUMULATOR
    - With Heat Exchanger
    - Without Heat Exchanger
  - SUCTION FILTER
    - Sealed Type
    - Replaceable Core
  - TIME CLOCK
    - Paragon 8145 Style
    - \*230V Paragon 8145 Style
    - \*115V Paragon 8145 Style
  - Wind Guard
  - Less Flooding Valve(s)

VOLTAGE	SYSTEM REFRIGERANT	RATING	SUCTION TEMP	AMBIENT TEMP	CAPACITY					
208-230/3/60	R448A	4.5Hp	-18.7 °F	105 °F	13438 BTUH					
FANS		COMPRESSOR			CIRCUIT TOTAL					
QTY	POWER	FLA/FAN	TYPE	QTY	RLA	LRA	AMPS	WATTS	MCA†	MOP‡
1	400W	2.1	ZF13K4E-TF5	1	13.8	99	15.9		19.4	30
LIQUID	1/2 in	SOUND	-	REC CAPACITY	22 lb		APPROVALS			
SUCTION	1 1/8 in	WEIGHT	435 lb	REF CHARGE	9 lb					

**NOTES:**

† MCA.. Minimum Circuit Ampacity, ‡ MOP.. Maximum Overcurrent Protection  
MCA & MOP are for the condensing unit ONLY. Single point connections WILL show different on dataplate.



APPROVED BY :

DATE :

Approval of this drawing signifies that the equipment is acceptable under the provision of the job specifications. Any change made hereon by any person whomsoever subject to acceptance by NATIONAL REFRIGERATION at its home office.





**NATIONAL REFRIGERATION AND  
AIR CONDITIONING CANADA CORP.**  
159 ROY BLVD, PO BOX 2020  
BRANTFORD, ON  
CANADA N3T 5Y6

**BEZA045L8-HT3D**

**EZ-LINE SCROLL  
CONDENSING UNITS-AIR**

PURCHASER :

SUBMITTED BY : **Laura Craig**

PROJECT : **Erwin Elementary**

DATE : **11 Oct 2022**

ORDER # : **06339.36374.00469-A00**

ITEM # : **4**

QUOTE # : **Q11EULCA-A**

ID # :

PURCHASER'S PO # :

TAGGING :

**SELECTED OPTION DESCRIPTIONS**

**Electric Defrost Kit - DFK-02**

Electric Defrost Kit includes:

Mechanical Time Clock:

Time initiated temperature terminated with a timed failsafe.

Contactors:

Three pole definite purpose, 230V or 115V coil as defined by  
the control circuit voltage

HtrCont1x 40A

Fuse Blocks:

1x 30A (2P) Class CC

**Liquid Line Filter + Sight Glass - Sealed**

Sporlan C Series with ODF solder connections and Sporlan SA  
moisture indicator factory installed in liquid line.

**Option Packages - Small B (Good@Warm/Moderate)**

LLFD+SG

Approval of this drawing signifies that the equipment is acceptable under the provision of the job specifications. Any change made hereon by any person whomsoever subject to acceptance by NATIONAL REFRIGERATION at its home office.



**NATIONAL REFRIGERATION AND  
AIR CONDITIONING CANADA CORP.**

159 ROY BLVD, PO BOX 2020  
BRANTFORD, ON  
CANADA N3T 5Y6

Order Item No: 4  
**BEZA045L8-HT3D**  
EZ-LINE SCROLL  
CONDENSING UNITS-AIR

NATIONAL REFRIGERATION will furnish equipment in accordance with this drawing and specifications, and subject to its published warranty. Approval of this drawing signifies that the equipment is acceptable under the provision of the job specifications. Any change made hereon by any person whomsoever subject to acceptance by NATIONAL REFRIGERATION at its home office.

DATE : 11 Oct 2022

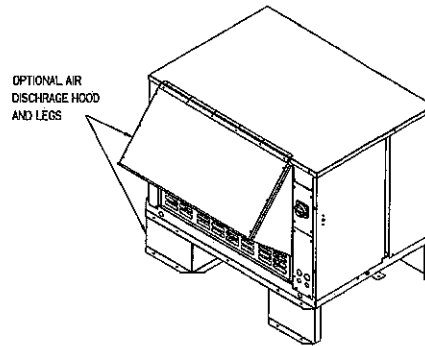
PURCHASER :

PROJECT : Erwin Elementary

SUBMITTED BY : Laura Craig

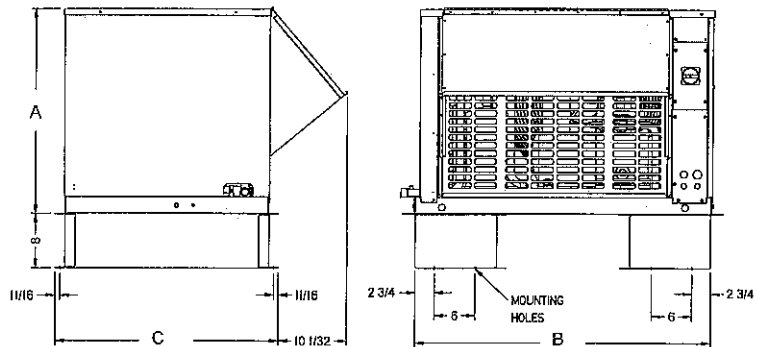
Dimensions shown are for standard unit less options.

DIMENSIONS	
DIMENSION A	30 3/8 in
DIMENSION B	43 7/8 in
DIMENSION C	32 7/8 in
DIMENSION D	10 1/8 in
DIMENSION E	
DIMENSION F	
DIMENSION G	0 in
DIMENSION H	



CONNECTIONS	
LIQUID	1/2 in
SUCTION	1 1/8 in
DRAIN	
WATER	
DISCHARGE	
PAN LOOP	
HOT GAS SIDE PORT	
HOT GAS INLET	
HOT GAS OUTLET	
OTHER	
SHIPPING WEIGHT	435 lb
REFRIGERANT CHARGE	9 lb
RECEIVER CAPACITY	22 lb

APPROVALS			



NOTES:



**NATIONAL REFRIGERATION AND AIR CONDITIONING CANADA CORP.**  
 159 ROY BLVD, PO BOX 2020  
 BRANTFORD, ON  
 CANADA N3T 5Y6

**BLP316LE-S2D**

**LOW PROFILE EVAPORATOR**

PURCHASER :	SUBMITTED BY : <b>Laura Craig</b>
PROJECT : <b>Erwin Elementary</b>	DATE : <b>11 Oct 2022</b>
ORDER # : <b>06339.36374.00469-A00</b>	ITEM # : <b>5</b>
QUOTE # : <b>Q11EULCA-A</b>	ID # :
PURCHASER'S PO # :	TAGGING :

**MODEL FEATURES**

- 3/8" Tubing coil construction (reduces refrigerant operating charge)
- Factory installed solenoid valve wire harness
- Heavy gauge textured aluminum cabinet construction resists scratches/corrosion
- Spacious piping end compartment allows for easy assembly
- Hinged drain pan with central universal drain connection (3/4" drain)
- Front access to spacious electrical and header compartments
- Schrader connection on suction header
- Attractive and durable high density polyethylene fan guards
- Ultra efficient Electronically Commutated Motor (ECM)
- ECM with SmartSpeed Technology
- High efficiency enhanced copper tube and aluminium fin coil design
- 6 FPI
- Unit Cooler is AWEF/NRCAN compliant with R404A/R507/R448A/R449A/R407A

**MODEL OPTIONS ( \* = Shipped Loose )**

- |  |   |  |
|--|---|--|
| <p><b>PRE-ASSEMBLED EVAP</b></p> <input type="checkbox"/> SmartVap+ with EEV + SolvIv<br><input checked="" type="checkbox"/> Sporlan TXV, LLSV,T-stat<br><input type="checkbox"/> KE2 Evap Efficiency w/Sporlan TXV<br><input type="checkbox"/> KE2 Evap Efficiency w/Sporlan EEV<br><input type="checkbox"/> *KE2 Evap Efficiency w/Sporlan TXV<br><input type="checkbox"/> *KE2 Evap Efficiency w/Sporlan EEV<br><input type="checkbox"/> <b>Aux Sideport Connector</b><br><p><b>CABINET FINISH</b></p> <input type="checkbox"/> Painted White<br><input type="checkbox"/> Stainless Steel<br><p><b>SENSORS FOR CPC BOARDS</b></p> <input type="checkbox"/> Coil Temp Sensor<br><input type="checkbox"/> Return Air Temp Sensor<br><p><b>DEMAND DEFROST ELECTRONIC CONTROLLER</b></p> <input type="checkbox"/> KE2 Adaptive Control<br><input type="checkbox"/> *KE2 Adaptive Control<br><input type="checkbox"/> KE2 Therm Evaporator Efficiency<br><input type="checkbox"/> *KE2 Therm Evaporator Efficiency<br><input type="checkbox"/> <b>Dual Circuit</b> | <p><b>ELECTRONIC CONTROLLER</b></p> <input type="checkbox"/> SmartVap+ Control Board and Display<br><p><b>EXPANSION VALVE</b></p> <input checked="" type="checkbox"/> Sporlan TXV<br><input type="checkbox"/> Sporlan EEV<br><input type="checkbox"/> EEV for SmartVap+<br><p><b>EVAPORATOR PRISON PACKAGE</b></p> <input type="checkbox"/> Tamper Proof Screws<br><input type="checkbox"/> <b>Export Crating</b><br><p><b>COIL COATING</b></p> <input type="checkbox"/> E-Coat<br><p><b>FIN MATERIAL</b></p> <input type="checkbox"/> Gold Coat Fins<br><input type="checkbox"/> Copper Fins<br><input type="checkbox"/> <b>Insulated Drain Pan</b><br><p><b>KE2 THERM</b></p> <input type="checkbox"/> *CAT5e Shielded Cable - 50ft w/connectors<br><input type="checkbox"/> 40' Leads on Sensors + Transducers<br><input type="checkbox"/> Ethernet Adapter Kit<br><input type="checkbox"/> *Remote Combo Display<br><input type="checkbox"/> *Liquid / Suction Heat Exchanger | <p><b>LIQUID LINE SOLENOID VALVE</b></p> <input checked="" type="checkbox"/> Sporlan<br><input type="checkbox"/> <b>Dual Voltage Coil 120-230V Field Wired</b><br><input type="checkbox"/> <b>Nitrogen Charged and Sealed ROOM THERMOSTATS</b> <input checked="" type="checkbox"/> Mechanical<br><input type="checkbox"/> *Mechanical<br><input type="checkbox"/> *Johnson A19ABC<br><input type="checkbox"/> *Johnson A421ABC-02C<br><input type="checkbox"/> Johnson A421ABC-02<br><input type="checkbox"/> <b>Wire Fan Guards</b><br><p><b>REMOTE DEFROST PANEL</b></p> <input type="checkbox"/> *230V Control<br><input type="checkbox"/> *115V Control<br><p><b>INSTALLATION REQUIREMENTS</b></p> <input checked="" type="checkbox"/> Minimum slope of 1" per foot on all drain lines<br><input checked="" type="checkbox"/> P-trap per evap required outside of box<br><input checked="" type="checkbox"/> Insulated drain line requires heat - 20W/ft |
|--|---|--|

VOLTAGE		SYSTEM REFRIGERANT		AIR FLOW		EVAP. TEMP		BOX TEMP		CAPACITY	
208-230/1/60		R448A		2040 CFM		-18.2 °F		-10 °F		13438 BTUH	
FANS			HEATERS			CIRCUIT TOTAL					
QTY	POWER	FLA/FAN	TYPE	QTY	AMPS	AMPS	WATTS	MCA†	MOP‡		
3	0.07HP	0.6				1.8	180	2	15		
DEFROST HTRS				11.9		2730		14.8		15	
DISTRIBUTOR	3/8 in	SOUND	-	REC CAPACITY			APPROVALS				
SUCTION	1 1/8 in	WEIGHT	115 lb	REF CHARGE	4 lb						
NOTES:											
† MCA.. Minimum Circuit Ampacity, ‡ MOP.. Maximum Overcurrent Protection											

**APPROVED BY :** \_\_\_\_\_ **DATE :** \_\_\_\_\_

Approval of this drawing signifies that the equipment is acceptable under the provision of the job specifications. Any change made hereon by any person whomsoever subject to acceptance by NATIONAL REFRIGERATION at its home office.



**NATIONAL REFRIGERATION AND  
AIR CONDITIONING CANADA CORP.**

159 ROY BLVD, PO BOX 2020  
BRANTFORD, ON  
CANADA N3T 5Y6

**BLP316LE-S2D**

**LOW PROFILE  
EVAPORATOR**

PURCHASER :

SUBMITTED BY : **Laura Craig**

PROJECT : **Erwin Elementary**

DATE : **11 Oct 2022**

ORDER # : **06339.36374.00469-A00**

ITEM # : **5**

QUOTE # : **Q11EULCA-A**

ID # :

PURCHASER'S PO # :

TAGGING :

**SELECTED OPTION DESCRIPTIONS**

**Expansion Valve - Sporlan TXV**

May be Type EBQ, S, SBF, O externally equalized thermostatic expansion valve. Valves are selected using the specified capacity and operating conditions of the refrigeration system as specified on the accompanying Certified Prints.

**Installation Requirements - Insulated drain line  
requires heat - 20W/ft**

Freezer condensate drain lines must be insulated and heated with a minimum of 20 watts per foot.

**Installation Requirements - Minimum slope of 1" per  
foot on all drain lines**

Bally recommends a minimum slope of 1" per foot on all drain lines.

**Installation Requirements - P-trap per evap required  
outside of box**

All evaporators must be trapped individually outside of the box to prevent vapor migration back to coil surface.

**Liquid Line Solenoid Valve - Sporlan**

Sporlan solenoid coil voltage matches evaporator voltage except when evaporator is 460V, then 230V solenoid coil is used. Exceptions must be clearly explained in the Notes of the option.

**Pre-assembled Evap - Sporlan TXV, LLSV, T-stat**

Option Package consists of factory installed Sporlan balance port TXV, Sporlan liquid line solenoid valve and Johnson Controls A19 Room thermostat.

**Room Thermostats - Mechanical**

Single stage temperature control with Single-Pole, Double-Throw (SPDT) mechanical switch. May be Johnson A19 or equal, Operating range of -30°F to +100°F. Adjustable differential of 3°F to 12°F. Factory installed and wired.

Approval of this drawing signifies that the equipment is acceptable under the provision of the job specifications. Any change made hereon by any person whomsoever subject to acceptance by NATIONAL REFRIGERATION at its home office.



**NATIONAL REFRIGERATION AND  
AIR CONDITIONING CANADA CORP.**  
159 ROY BLVD, PO BOX 2020  
BRANTFORD, ON  
CANADA N3T 5Y6

**Order Item No: 5  
BLP316LE-S2D  
LOW PROFILE  
EVAPORATOR**

NATIONAL REFRIGERATION will furnish equipment in accordance with this drawing and specifications, and subject to its published warranty. Approval of this drawing signifies that the equipment is acceptable under the provision of the job specifications. Any change made hereon by any person whomsoever subject to acceptance by NATIONAL REFRIGERATION at its home office.

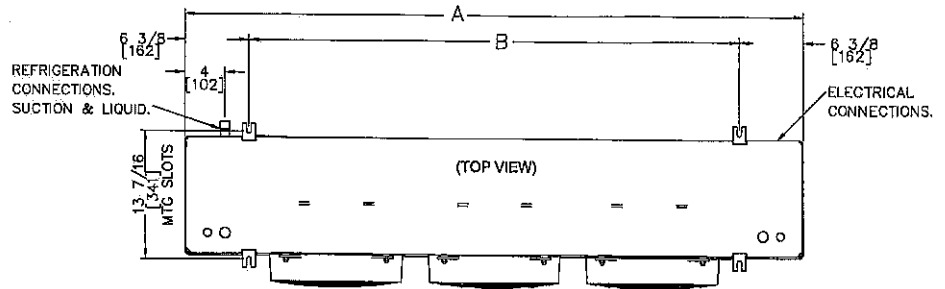
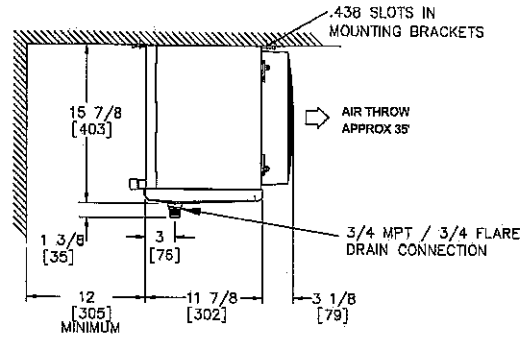
DATE : <b>11 Oct 2022</b>
PURCHASER :
PROJECT : <b>Erwin Elementary</b>
SUBMITTED BY : <b>Laura Craig</b>

Dimensions shown are for standard unit less options.

DIMENSIONS	
DIMENSION A	62 1/4 in
DIMENSION B	49 1/4 in
DIMENSION C	
DIMENSION D	
DIMENSION E	
DIMENSION F	
DIMENSION G	0 in
DIMENSION H	

CONNECTIONS	
DISTRIBUTOR	3/8 in
SUCTION	1 1/8 in
DRAIN	3/4 in
WATER	
DISCHARGE	
PAN LOOP	
HOT GAS SIDE PORT	
HOT GAS INLET	
HOT GAS OUTLET	
OTHER	
SHIPPING WEIGHT	115 lb
REFRIGERANT CHARGE	4 lb
RECEIVER CAPACITY	

APPROVALS			



NOTES:





## SWANSON-GIRARD

CULINARY SOLUTIONS

Project  
Erwin Elem- Lancaster County  
Schools

From  
Swanson-Girard & Assoc.  
Becky Jersey  
10420 Southern Loop Blvd.  
Pineville, NC 28134  
(704)521-8811  
(888)521-0778 0000 (Contact)  
(704)521-8801 (Fax)  
bjersey@swanson-girard.com

**The following discounts have been applied to this quotation. No additional discounts can be taken off the net price shown.**

**To ensure all discounts are applied correctly when ordering please send ALL ORDERS to Swanson-Girard. Email: [orders@swanson-girard.com](mailto:orders@swanson-girard.com) or Fax: 704-521-8801**

**For Tracking information please either reach out to SGA office or Autoquotes Order Status.**

**ITEM Cooler - SHELVING, WITH METAL FRAME (24 REQ'D)****Metro Model PR2442NK3 Dimensions: 42(w) x 24(d)**

Super Erecta Pro™ Shelf, 42"W x 24"D, removable polymer shelf mat, Metroseal 3™ epoxy-coated frame, built-in Microban product protection, split sleeves, attaches to Super Erecta® round posts, NSF

- 24 ea Model 74PK3 Super Erecta® SiteSelect™ Post, 74-1/2"H, adjustable leveling bolt, posts are grooved at 1" increments & numbered at 2" increments, double grooved every 8", Metroseal 3 Green epoxy coated corrosion-resistant finish with Microban® antimicrobial protection
- 1 ea Model HP2248PD Metro Bow-Tie™ Dunnage Rack, 22" x 48" x 12"H, slotted, with separate polymer tie for joining racks, corrosion proof polymer construction, NSF

**ITEM Freezer - SHELVING, WITH METAL FRAME (16 REQ'D)****Metro Model PR2442NK3 Dimensions: 42(w) x 24(d)**

Super Erecta Pro™ Shelf, 42"W x 24"D, removable polymer shelf mat, Metroseal 3™ epoxy-coated frame, built-in Microban product protection, split sleeves, attaches to Super Erecta® round posts, NSF

- 12 ea Model PR2460NK3 Super Erecta Pro™ Shelf, 60"W x 24"D, removable polymer shelf mat, Metroseal 3™ epoxy-coated frame, built-in Microban product protection, split sleeves, attaches to Super Erecta® round posts, NSF
- 4 ea Model PR2454NK3 Super Erecta Pro™ Shelf, 54"W x 24"D, removable polymer shelf mat, Metroseal 3™ epoxy-coated frame, built-in Microban product protection, split sleeves, attaches to Super Erecta® round posts, NSF
- 32 ea Model 74PK3 Super Erecta® SiteSelect™ Post, 74-1/2"H, adjustable leveling bolt, posts are grooved at 1" increments & numbered at 2" increments, double grooved every 8", Metroseal 3 Green epoxy coated corrosion-resistant finish with Microban® antimicrobial protection
- 1 ea Model HP2260PD Metro Bow-Tie™ Dunnage Rack, 22" x 60" x 12"H, slotted, with separate polymer tie for joining racks, corrosion proof polymer construction, NSF

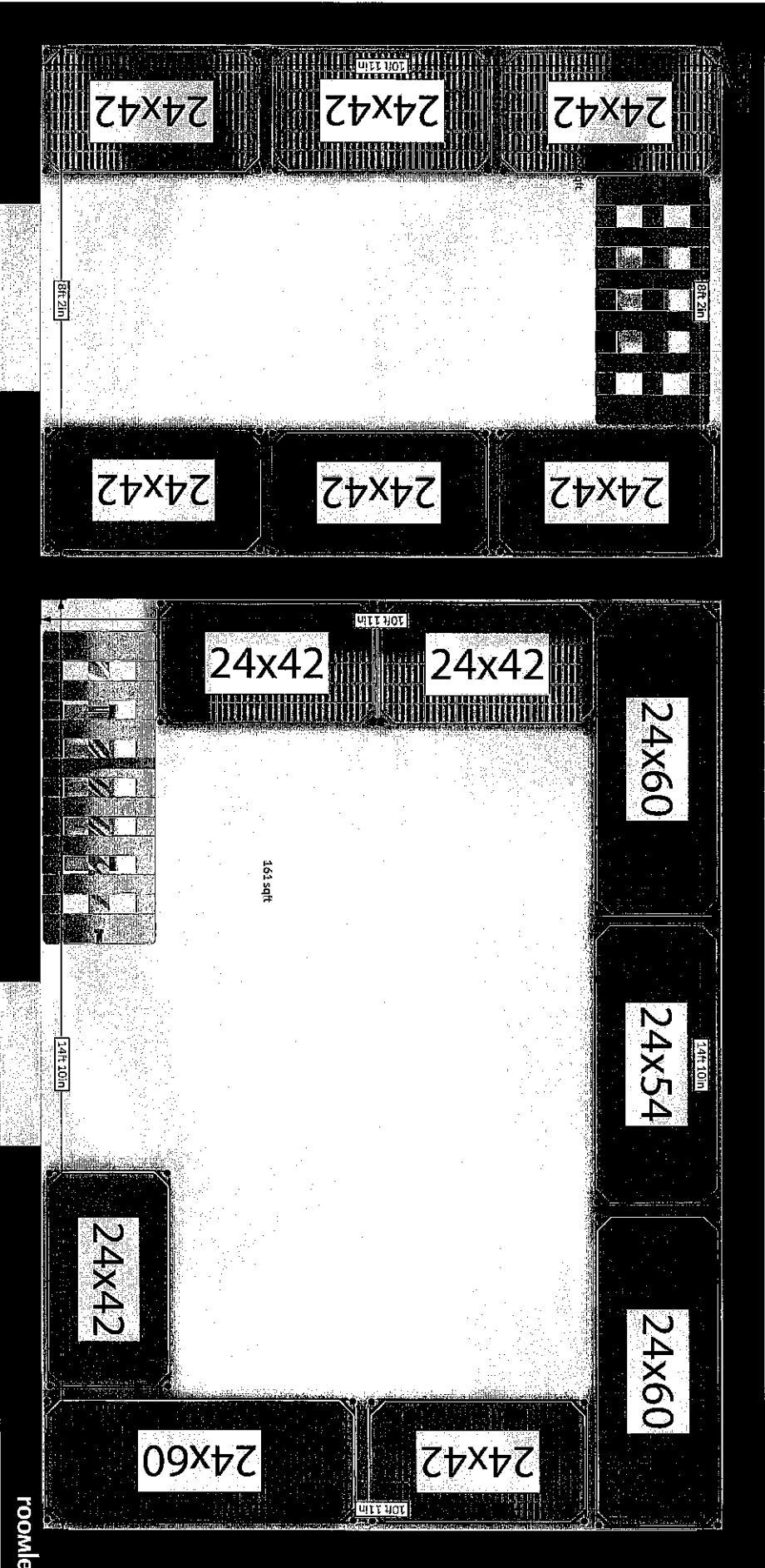


---

*This quotation is based on our understanding of the information provided to us. While we make every effort to ensure that the quote is correct, **IT IS ULTIMATELY THE CUSTOMER'S RESPONSIBILITY TO CHECK THE QUOTE FOR ERRORS.** We are not responsible for this quotation meeting your requirements based on incorrect information. Please check our quotation carefully. Anything not listed will not be furnished. **All items are quoted as each unless otherwise shown.***



Attachment C-4





**Bally Refrigerated Boxes, Inc.**  
**Morehead City, NC 28557 (800) 242-2559**

**Last Update:** 10/12/2022  
**Revisor:** Laura Craig  
**To:** All Bidders

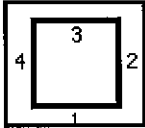
**Quote No:** 2757-001-R04-LC  
**Item No:**  
**Job Name:** McDonald Green Elementary School  
**Date:** 10/12/2022 **PVD:** 10/3/2022  
**From:** Laura Craig  
Swanson-Girard & Associates  
10420 Southern Loop Blvd  
Pineville, NC 28134

**Phone:** **Fax:** (704)521-8801

**Box Shape**

**Indoor Structure**

**NSF APPROVED**



**Bally Prefabricated Exterior Dimensions:**

15'-5"(l) x 9'-8"(w) x 8'-6"(h)  
2 Compartments 1 Tiers With Floor 4" Floor  
Ceiling: Single Span

**Panel Thickness:**

4 in. Exterior Vertical Used (7'-10") with 4 in. Partition, 4 in. Floor, 4 in. Ceiling

**Details on Following Page(s)**

**NOTE:** Freight shown is an estimate based on current published rates. A fuel surcharge will be added and changes continuously.

**Walk-in Price:**

**Refrigeration Price:**

**Total Price (FOB Plant)** (Less Refrig.Warranties):

**Estimated Freight:**

**Optional Warranties:** (not included in Total Price)

(1) 00 3/4 HP System (5 yr. Parts , 1 yr. Labor)

(1) 02 HP System (5 yr. Parts , 1 yr. Labor)

**Payment terms and conditions are available upon request.**

*This quotation was based on information supplied to us which may or may not have been complete. Customer is responsible for reviewing this quotation for exclusions, deviations, and any improper information supplied to us.*

**Signature:** \_\_\_\_\_

Laura Craig

**Date:** \_\_\_\_\_

*We are not responsible for the selection or recommendation of the panel finish for any building or walk-in application.*

**NOTE: Quoting Bally standard specifications, sizes, and finishes.**

**This quotation is good through 11/26/2022**

**Act of 2007 (Public Law 110-140) Title III; Section 312, regarding Walk-In Coolers and Walk-In Freezers.**



**Bally Refrigerated Boxes, Inc.**  
**Morehead City, NC 28557 (800) 242-2559**

**Last Update:** 10/12/2022  
**Revisor:** Laura Craig  
**To:** All Bidders

**Quote No:** 2757-001-R04-LC  
**Item No:**  
**Job Name:** McDonald Green Elementary School  
**Date:** 10/12/2022 **PVD:** 10/3/2022  
**From:** Laura Craig  
 Swanson-Girard & Associates  
 10420 Southern Loop Blvd  
 Pineville, NC 28134  
**Phone:** **Fax:** (704)521-8801

**Attn:**

**Indoor Structure**

**NSF APPROVED**

***Bally Prefabricated Exterior Dimensions:***

15'-5"(l) x 9'-8"(w) x 8'-6"(h)  
 2 Compartments 1 Tiers With Floor 4" Floor  
 Ceiling: Single Span

***Panel Thickness:***

4 in. Exterior Vertical Used (7'-10") with 4 in. Partition, 4 in. Floor, 4 in. Ceiling

**Details and specifications for Quote No:** 2757-001-R04-LC

***Comments:***

***Base Finish***

Vertical and Ceiling Panels: Embossed Galvalume (26 GA)

***Special Finishes:***

Interior Floor - Aluminum Treadplate .125" Thick

***Doors/Openings:***

- Wall 1 Door 1 (1) 36" x 78" Hinged Door In a 46"
- Wall 1 Door 1 (1) Bally Standard Pressure Relief Port (< 400 sq/ft)
- Wall 1 Door 1 (1) Strip Curtain (36" Door and Under)
- Wall 1 Door 1 (1) Super Door 36" Wide and Under, 30" High
- Wall 1 Door 2 (1) 36" x 78" Hinged Door In a 69"
- Wall 1 Door 2 (1) Super Door 36" Wide and Under, 30" High

***Accessories and Extras:***

- (4) 48" LED KEIL 48x754-CL-N Light  
 - 40° F to 100° F(Range)
- (1) Box set in 4" depression from top of finished floor.
- (48) S/F Emboss Galvalume (Closure Metal)

***Floor Options:***

- (160) S/F 1/2" Plywood Foamed in Panel

***Refrigeration:***

- (1) BEZA 007 H8 HT3DB (208-230/3/60) w/ smart speed  
 Scroll Unit 7190 BTU
- (1) BEZA 020 L8 HT3D (208-230/3/60) w/ smart speed  
 Includes defrost contactor for 1 Evap.
- (1) BLP207LE-S2D 208-230/1/60  
 2 Fan 7160 BTU/h
- (1) BLP209-MA-S1D 115/1/60  
 2 Fan 8700 BTU/h
- (1) Refrigeration is calculated for standard use at a box temperature of  
 35° F. for the cooler and -10° F. for the freezer with a condensing  
 unit ambient of 105° F.
- (1) Time Clock 8145 (shipped loose) 115/1/60



**Bally Refrigerated Boxes, Inc.**  
**Morehead City, NC 28557 (800) 242-2559**

**Last Update:** 10/12/2022  
**Revisor:** Laura Craig  
**To:** All Bidders

**Quote No:** 2757-001-R04-LC  
**Item No:**  
**Job Name:** McDonald Green Elementary School  
**Date:** 10/12/2022 **PVD:** 10/3/2022  
**From:** Laura Craig  
Swanson-Girard & Associates  
10420 Southern Loop Blvd  
Pineville, NC 28134

**Attn:**

**Phone:** **Fax:** (704)521-8801

---

**Estimated Shipping:**

Weight: 5,050.89

Destination: Lancaster, SC, 29720



**Bally Refrigerated Boxes, Inc.**  
**Morehead City, NC 28557 (800) 242-2559**

**Last Update:** 10/12/2022  
**Revisor:** Laura Craig  
**To:** All Bidders

**Quote No:** 2757-001-R04-LC  
**Item No:**  
**Job Name:** McDonald Green Elementary School  
**Date:** 10/12/2022 **PVD:** 10/3/2022  
**From:** Laura Craig  
 Swanson-Girard & Associates  
 10420 Southern Loop Blvd  
 Pineville, NC 28134

**Attn:**

**Phone:** **Fax:** (704)521-8801

**Deviations (Alternates, Remarks, Clarifications, Etc.):**

Bally Floor Panels are capable of supporting up to 800 lbs. Per Sq/Ft uniformly distributed stationary loading. Bally does not recommend the use rolling loads of heavy carts, pallet jacks or fork lifts on top of the floors. Warranty for floors subjected to this type of use would not be covered by Bally.

Quoting Bally Standard Pre-Assembled Remote Refrigeration.

**Exclusions (Items Not Supplied by Bally):**

- |   |  |
|---|--|
| <input checked="" type="checkbox"/> Shelving, Racks, Interior Accessories | <input checked="" type="checkbox"/> Caulking and Sealants                    |
| <input type="checkbox"/> Labor on Warranties                              | <input type="checkbox"/> Refrigeration Systems                               |
| <input checked="" type="checkbox"/> Alarm Systems                         | <input checked="" type="checkbox"/> Refrigeration Accessories                |
| <input checked="" type="checkbox"/> Supervision                           | <input type="checkbox"/> Closure Panel and Trim                              |
| <input checked="" type="checkbox"/> Tubing, Wiring for Rfg. Equipment     | <input checked="" type="checkbox"/> Sleeves, Penetrations, Escutcheon Plates |
| <input checked="" type="checkbox"/> Compressor Rack                       | <input checked="" type="checkbox"/> Floor Insulation and Vapor Barrier       |

**Cancelled Orders:** Cancelled unshipped standard walk-ins will be charged a 30% restocking fee plus the cost of special panels. Cancelled refrigeration systems will be charged a 30% restocking fee and the cost of any freight accrued. Buy-out items will be charged a 25% restocking fee plus any freight accrued.

**Agency Ratings:** Bally units comply or surpass applicable Flame Spread-25, UL, UL 723, & NSF standards in a manner conforming to ASTM E-84, and Factory Mutual standards.

**Quotation Limitations:** This quotation was based upon the specifications given to Bally which may possibly be incomplete. Bally is not responsible for items missing from the quotation due to incomplete or excluded items in the specifications received from the customer. The customer is responsible for reviewing the quotation for omissions or deviations from the specifications given to Bally. All portions of the quotation are subject to revision upon receipt of detailed specifications or if changes are made following the delivery of the original quotation. Quotations expire on the date indicated on Page 1 of the Quote. Approval drawings must be returned within 60 days of receipt of the purchase order. The order must ship within the agreed upon time frames or current lead times, but no later than 7 months. Any deviations to this quotation (dimensions or specification changes) will require updated pricing.

**Panel Construction:** Bally Panels are manufactured with environmentally friendly HFC 245-FA polyurethane foam. This polyurethane foam offers the highest thermal insulation value and the most energy efficiency per cubic inch in comparison to similar foams. It has a zero Ozone Depletion Potential (ODP) and a low Global Warming Potential (GWP). It is not considered a Volatile Organic Compound (VOC) in the US. Standard 4" Bally panels meet the 2009 Federal Energy Standards.

**Refrigerants:** Unless otherwise specified, refrigeration systems are quoted with environmentally friendly HFO R448A refrigerant. It has a Low Global Warming Potential (GWP) and the EPA lists it as an acceptable substitute for R404A and other high GWP refrigerants.

**Automatic Door Closers:** Bally includes automatic door closers and spring loaded hinges on all doors 42" wide and smaller as a standard feature with no additional charge that meet the 2009 Federal Energy Standards.

**Motors:** Bally units are quoted with EC and PSC motors in compliance with federal energy standards, for increased energy savings.

**Lighting:** Bally units are quoted with lighting in compliance with federal Energy Standards for increased energy savings.

**Optional Features:** Bally offers additional optional energy-saving features such as Walk-In Alarm & Light Management systems that comply or surpass the 2009 Federal energy regulations.



**Bally Refrigerated Boxes, Inc.**  
**Morehead City, NC 28557 (800) 242-2559**

**Last Update:** 10/12/2022

**Revisor:** Laura Craig

**To:** All Bidders

C1

C2

**Attn:**

**Quote No:** 2757-001-R04-LC

**Item No:**

**Job Name:** McDonald Green Elementary School

**Date:** 10/12/2022 **PVD:** 10/3/2022

**From:** Laura Craig

Swanson-Girard & Associates

10420 Southern Loop Blvd

Pineville, NC 28134

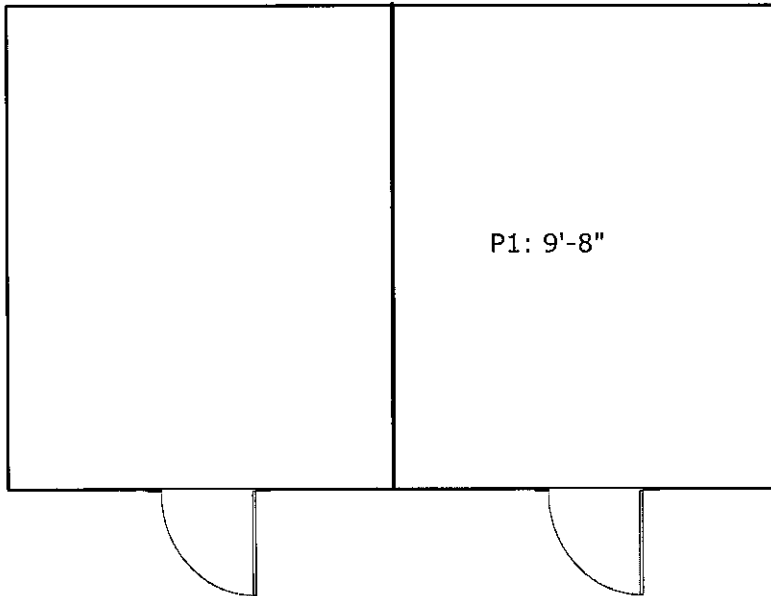
**Phone:**

**Fax:** (704)521-8801

This drawing is for reference purposes only and it not intended to be a formal scale model.

w3: 15'-5"

w4: 9'-8"



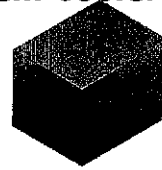
w2: 9'-8"

P1: 9'-8"

w1: 15'-5"

DOOR 1: Wall1 36" x 78" Hinged Door In a 46" Offset:4'-0" Hinge:Right Orientaion:Regular  
 DOOR 2: Wall1 36" x 78" Hinged Door In a 69" Offset:12'-0" Hinge:Right Orientaion:Regular  
 PARTITION 1: Wall 1 Centered Connect

**McDonald Green Elem Cooler LOAD CALCULATION**



COOLING REQUIREMENTS										
Application	General Walk-in Cooler			Location	Indoor					
Internal Temp	35 °F	Internal RH	84%	External Temp	85 °F	External RH	55%			
Wall Load	719 BTUH	Infiltration	1,659 BTUH	Products	409 BTUH	Miscellaneous	665 BTUH			
	21%		48%		12%		19%			
WALL, FLOOR AND CEILING LOADS										
Section	Construction	Thickness (in)	K Factor	R Value	Ext Temp (°F)	Dim 1 (ft)	Dim 2 (ft)	Area (ft²)	Load (BTUH)	
Rear	Urethane, Standard panels	4.000	0.14	28.57	85.0	9.67	8.50	82	144	
Right End	Urethane, Standard panels	4.000	0.14	28.57	85.0	7.75	8.50	46	81	
	Door			15.00	85.0	3.00	6.50	20	65	
Front	Urethane, Standard panels	4.000	0.14	28.57	35.0	9.67	8.50	82		
Left End	Urethane, Standard panels	4.000	0.14	28.57	85.0	7.75	8.50	66	115	
Floor	Insulated Floor - Panels On Concrete On Grade	10.000	0.31	32.32		9.67	7.75	75	183	
Ceiling	Urethane, Standard panels	4.000	0.14	28.57	85.0	9.67	7.75	75	131	
VOLUME (ft³)		637	TOTAL WALL, FLOOR AND CEILING LOAD					719		
INFILTRATION LOAD : ESTIMATED BY VOLUME AND USAGE										
Box Usage	Internal Temp (°F)	Internal Rh (%)	External Temp (°F)	External Rh (%)	Ventilation (CFM)	Load (BTUH)				
Heavy	35	84	85	55		1,659				
PRODUCT LOADS										
Type	Weight (lb)	Enter Temp (°F)	Final Temp (°F)	Pull Down (hrs)	Load (BTUH)					
General, Mixed Products, Approximation	1,274	45.0	35.0	24	409					
<b>TOTAL PRODUCT WEIGHT (lbs)</b>	<b>1,274</b>	<b>TOTAL PRODUCT LOAD</b>			<b>409</b>					
MISCELLANEOUS LOADS										
Quantity	Description	Power	Units	Run Time (hrs)	Load (BTUH)					
	LIGHTING	1	W/ft²	24	256					
2	EVAPORATOR MOTORS	60	W	24	409					
<b>TOTAL MISCELLANEOUS LOAD</b>					<b>665</b>					
SYSTEM DESIGN SUMMARY										
Design Load (BTUH)	Safety Factor	Safety Load (BTUH)	Run Time (Hours)	Capacity Required (BTUH)	Refrigerant	Line Frequency (Hz)	Design TD (°F)	Line Loss (°F)	Condenser Ambient (°F)	
3,452	10%	3,797	16	5,696	R448A	60	10.1	0.5	100	
SYSTEM EQUIPMENT SELECTION										
Equipment Type	Quantity	Model Number	Description	Voltage	Rating (BTUH)					
Condensing Unit	1	BEZA007H8-HT3D	EZ-Line Scroll Condensing Units-Air	208-230/3/60	6,868					
Evaporator	1	BLP209MA-S1D	Low Profile Evaporator	115/1/60	8,843					
SYSTEM BALANCE										
Fan Load (BTUH)	Suction Temp (°F)	Evaporator TD (°F)	System Capacity (BTUH)							
	26.3	8.2	7,141							

**NATIONAL REFRIGERATION AND AIR CONDITIONING CANADA CORP.**159 ROY BLVD, PO BOX 2020  
BRANTFORD, ON  
CANADA N3T 5Y6**BEZA007H8-HT3D****EZ-LINE SCROLL  
CONDENSING UNITS-AIR**

PURCHASER :

SUBMITTED BY : **Laura Craig**PROJECT : **McDonald Green Elem**DATE : **11 Oct 2022**ORDER # : **06338.56873.00469-A00**ITEM # : **1**QUOTE # : **Q10EULCB-A**

ID # :

PURCHASER'S PO # :

TAGGING :

**MODEL FEATURES**

- 3/8" Tubing coil construction (reduces refrigerant operating charge)
- Anti-short cycle time delay
- Adjustable pressure fan cycling control on 2 fan models only
- Copper tubing secured with cushion clamps
- Crankcase heater
- Discharge line temperature sensor
- Fan Guard

- Fan motors are inherently protected with internal overloads
- Pre-formed piping
- Receiver with fusible plug and liquid shut off valve
- Suction Service valve
- Adjustable flooded head pressure control (unless otherwise indicated)
- Units are shipped with Helium holding charge
- Weatherproof electrical control box with compressor contactor and fused control circuit

- Welded hermetic Scroll compressor
- Adjustable low pressure control with flex hose / fixed high pressure control
- ECM with SmartSpeed Technology
- High efficiency enhanced copper tube and aluminium fin coil design
- Compatible with Low GWP Refrigerants
- Outdoor weatherproof pre-painted steel cabinet

**MODEL OPTIONS ( \* = Shipped Loose )****OPTION PACKAGES**

- 1** Small B (Good@Warm/Moderate)
- Small N (Better@Warm/Moderate)
- Small P (Best@Warm/Moderate)
- Small D (Good@Moderate/Cold)
- Small J (Better@Moderate/Cold)
- Small Q (Best@Moderate/Cold)
- Small K
- Small H

**115V Control Circuit****ADJUSTABLE PRESSURE CONTROLS**

- Johnson Dual with flex hose
- Separate High/Low
- Separate High/Low: MAN Reset on HP

**BALL VALVE**

- \*Liquid Line
- Liquid Line
- \*Suction Line
- Suction Line

**CAPACITY CONTROL - HOT GAS BYPASS**

- To Inlet of Evaporator
- To Suction Line

**Compressor Circuit Breaker****CONDENSING UNIT PRISON PACKAGE**

- Tamper Proof Screws
- Crankcase Pressure Regulator

**CONTACTORS**

- 30A Contactor
- 40A Contactor
- 60A Contactor

**DEFROST KIT  
(USE W/KE2 EVAP EFF)**

- Up to 30A per Evap
- 35A to 50A per Evap
- Over 50A per Evap

**Discharge Air Hood**

- Discharge Line Check Valve

**DISCONNECT SWITCH**

- Fused
- Non-Fused

**EC FAN MOTORS + SPEED CONTROLLER**

- All Motors Variable Speed - 230V Units

**ELECTRONIC PRESSURE CONTROL**

- Low Pressure Control
- High Pressure Control

**Export Crating**

- EXTENDED 4-YEAR COMPRESSOR WARRANTY

**WARRANTY**

- Copeland

**Extended Leg Kit****COIL COATING**

- E-Coat

**FIN MATERIAL**

- Gold Coat Fins
- Copper Fins

**Hail Guard for Condenser**

- Heated and Insulated Receiver

**HOUSING MATERIAL**

- Stainless Steel

**Insulated Suction Line****LIQUID LINE FILTER + SIGHT GLASS**

- 1** Sealed
- Replaceable

**Liquid Line Lock-Out Relay****LIQUID LINE SOLENOID VALVE**

- \*Standard 230V Coil
- \*Standard 115V Coil

**OIL SEPARATOR**

- With Oil Filter and Solenoid
- One Time Pump Down

**Oversized Receiver****PHASE / VOLTAGE MONITOR**

- 3-Lead
- 6-Lead (MotorSaver455)

**Pump Down Toggle Switch****QuickVac Valves**

- Receiver Inlet Ball Valve
- Single Point Electrical

**SUCTION ACCUMULATOR**

- With Heat Exchanger
- Without Heat Exchanger

**SUCTION FILTER**

- Sealed Type
- Replaceable Core

**TIME CLOCK**

- Paragon 8145 Style
- \*230V Paragon 8145 Style

- 1** \*115V Paragon 8145 Style

**Wind Guard**

- Less Flooding Valve(s)

**VOLTAGE****208-230/3/60****SYSTEM REFRIGERANT****R448A****RATING****0.7Hp****SUCTION TEMP****26.3 °F****AMBIENT TEMP****100 °F****CAPACITY****7141 BTUH****FANS****COMPRESSOR****CIRCUIT TOTAL**

QTY	POWER	FLA/FAN	TYPE	QTY	RLA	LRA	AMPS	WATTS	MCA†	MOP‡
<b>1</b>	<b>100W</b>	<b>1</b>	<b>ZB06KAE-TF5</b>	<b>1</b>	<b>4.8</b>	<b>37.8</b>	<b>5.8</b>		<b>7</b>	<b>15</b>

LIQUID	3/8 in	SOUND	-	REC CAPACITY	5 lb	APPROVALS
SUCTION	5/8 in	WEIGHT	183 lb	REF CHARGE	3 lb	

**NOTES:**

† MCA.. Minimum Circuit Ampacity, ‡ MOP.. Maximum Overcurrent Protection

MCA &amp; MOP are for the condensing unit ONLY. Single point connections WILL show different on dataplate.

AWEF = 7.6 for R404A/R507/R407A/R448A/R449A. Non-compliant DOE NRCAN model for all other refrigerants

**APPROVED BY :****DATE :**

Approval of this drawing signifies that the equipment is acceptable under the provision of the job specifications. Any change made hereon by any person whomsoever subject to acceptance by NATIONAL REFRIGERATION at its home office.





**NATIONAL REFRIGERATION AND  
AIR CONDITIONING CANADA CORP.**  
159 ROY BLVD, PO BOX 2020  
BRANTFORD, ON  
CANADA N3T 5Y6

**BEZA007H8-HT3D**

**EZ-LINE SCROLL  
CONDENSING UNITS-AIR**

PURCHASER :

SUBMITTED BY : **Laura Craig**

PROJECT : **McDonald Green Elem**

DATE : **11 Oct 2022**

ORDER # : **06338.56873.00469-A00**

ITEM # : **1**

QUOTE # : **Q10EULCB-A**

ID # :

PURCHASER'S PO # :

TAGGING :

**SELECTED OPTION DESCRIPTIONS**

**Liquid Line Filter + Sight Glass - Sealed**

Sporlan C Series with ODF solder connections and Sporlan SA moisture indicator factory installed in liquid line.

**Option Packages - Small B (Good@Warm/Moderate)**

LLFD+SG

**Time Clock - 115V Paragon 8145 Style**

115V Defrost timer is time initiated, temperature or pressure terminated with a timed failsafe. Timer is shipped loose in a box for field installation.

Approval of this drawing signifies that the equipment is acceptable under the provision of the job specifications. Any change made hereon by any person whomsoever subject to acceptance by NATIONAL REFRIGERATION at its home office.



**NATIONAL REFRIGERATION AND  
AIR CONDITIONING CANADA CORP.**

159 ROY BLVD, PO BOX 2020  
BRANTFORD, ON  
CANADA N3T 5Y6

Order Item No: 1  
**BEZA007H8-HT3D**  
EZ-LINE SCROLL  
CONDENSING UNITS-AIR

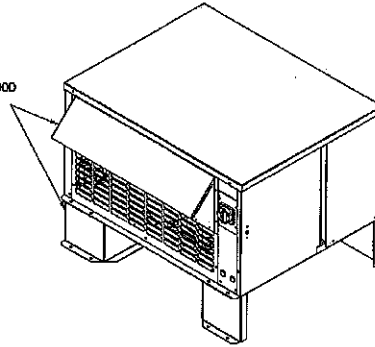
NATIONAL REFRIGERATION will furnish equipment in accordance with this drawing and specifications, and subject to its published warranty. Approval of this drawing signifies that the equipment is acceptable under the provision of the job specifications. Any change made hereon by any person whomsoever subject to acceptance by NATIONAL REFRIGERATION at its home office.

DATE : 11 Oct 2022  
PURCHASER :  
PROJECT : McDonald Green Elem  
SUBMITTED BY : Laura Craig

Dimensions shown are for standard unit less options.

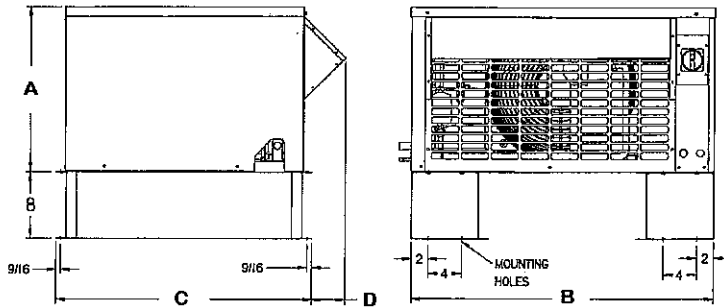
DIMENSIONS	
DIMENSION A	19 3/8 in
DIMENSION B	24 7/8 in
DIMENSION C	30 3/8 in
DIMENSION D	4 in
DIMENSION E	
DIMENSION F	
DIMENSION G	0 in
DIMENSION H	

OPTIONAL AIR  
DISCHARGE HOOD  
AND LEGS



CONNECTIONS	
LIQUID	3/8 in
SUCTION	5/8 in
DRAIN	
WATER	
DISCHARGE	
PAN LOOP	
HOT GAS SIDE PORT	
HOT GAS INLET	
HOT GAS OUTLET	
OTHER	
SHIPPING WEIGHT	183 lb
REFRIGERANT CHARGE	3 lb
RECEIVER CAPACITY	5 lb

APPROVALS			



NOTES:

AWEF = 7.6 for R404A/R507/R407A/R448A/R449A. Non-compliant DOE NRCAN model for all other refrigerants

**NATIONAL REFRIGERATION AND AIR CONDITIONING CANADA CORP.**159 ROY BLVD, PO BOX 2020  
BRANTFORD, ON  
CANADA N3T 5Y6**BLP209MA-S1D****LOW PROFILE EVAPORATOR**

PURCHASER :

SUBMITTED BY : **Laura Craig**PROJECT : **McDonald Green Elem**DATE : **11 Oct 2022**ORDER # : **06338.56873.00469-A00**ITEM # : **3**QUOTE # : **Q10EULCB-A**

ID # :

PURCHASER'S PO # :

TAGGING :

**MODEL FEATURES**

- 3/8" Tubing coil construction (reduces refrigerant operating charge)
- Factory installed solenoid valve wire harness
- Heavy gauge textured aluminum cabinet construction resists scratches/corrosion
- Spacious piping end compartment allows for easy assembly

- Hinged drain pan with central universal drain connection (3/4" drain)
- Front access to spacious electrical and header compartments
- Schrader connection on suction header
- Attractive and durable high density polyethylene fan guards
- Ultra efficient Electronically Commutated Motor (ECM)

- ECM with SmartSpeed Technology
- High efficiency enhanced copper tube and aluminium fin coil design
- 6 FPI
- AWEF = 9.0
- Unit Cooler is AWEF/NRCAN compliant with R404A/R507/R448A/R449A/R407A/R407C

**MODEL OPTIONS ( \* = Shipped Loose )****PRE-ASSEMBLED EVAP**

- SmartVap+ with EEV + Solvlv
- Sporlan TXV, LLSV,T-stat
- KE2 Evap Efficiency w/Sporlan EEV
- \*KE2 Evap Efficiency w/Sporlan EEV
- Aux Sideport Connector**

**CABINET FINISH**

- Painted White
- Stainless Steel

**SENSORS FOR CPC BOARDS**

- Coil Temp Sensor
- Return Air Temp Sensor

**DEMAND DEFROST ELECTRONIC CONTROLLER**

- KE2 Therm Evaporator Efficiency
- \*KE2 Therm Evaporator Efficiency

**Dual Circuit**

- ELECTRONIC CONTROLLER**
- KE2 Temp+Defrost
- SmartVap+ Control Board and Display

**EXPANSION VALVE**

- Sporlan TXV
- Sporlan EEV
- EEV for SmartVap+

**Evaporator Disconnect Switch****EVAPORATOR PRISON PACKAGE**

- Tamper Proof Screws

**Export Crating****COIL COATING**

- E-Coat

**FIN MATERIAL**

- Gold Coat Fins
- Copper Fins

**Insulated Drain Pan****KE2 THERM**

- \*CAT5e Shielded Cable - 50ft w/connectors
- 40' Leads on Sensors + Transducers
- Ethernet Adapter Kit
- \*Remote Combo Display
- \*Liquid / Suction Heat Exchanger

**LIQUID LINE SOLENOID VALVE**

- Sporlan
- Dual Voltage Coil 120-230V Field Wired**
- Nitrogen Charged and Sealed ROOM THERMOSTATS**

**ROOM THERMOSTATS**

- Mechanical
- \*Mechanical
- \*Johnson A19ABC
- \*Johnson A421ABC-02C
- Johnson A421ABC-02
- Wire Fan Guards**

**REMOTE DEFROST PANEL**

- \*230V Control
- \*115V Control

**INSTALLATION REQUIREMENTS**

- Minimum slope of 1" per foot on all drain lines
- P-trap per evap required outside of box

VOLTAGE		SYSTEM REFRIGERANT			AIR FLOW		EVAP. TEMP		BOX TEMP		CAPACITY
115/1/60		R448A			1500 CFM		26.8 °F		35 °F		7141 BTUH
FANS			HEATERS			CIRCUIT TOTAL					
QTY	POWER	FLA/FAN	TYPE	QTY	AMPS	AMPS	WATTS	MCA†	MOP‡		
2	0.07HP	1				2	120	2.3	15		
DISTRIBUTOR	3/8 in	SOUND	-	REC CAPACITY					APPROVALS		
SUCTION	7/8 in	WEIGHT	70 lb	REF CHARGE	1 lb						

**NOTES:**

† MCA.. Minimum Circuit Ampacity, ‡ MOP.. Maximum Overcurrent Protection

**APPROVED BY :****DATE :**

Approval of this drawing signifies that the equipment is acceptable under the provision of the job specifications. Any change made hereon by any person whomsoever subject to acceptance by NATIONAL REFRIGERATION at its home office.



**NATIONAL REFRIGERATION AND  
AIR CONDITIONING CANADA CORP.**  
159 ROY BLVD, PO BOX 2020  
BRANTFORD, ON  
CANADA N3T 5Y6

**BLP209MA-S1D**

**LOW PROFILE  
EVAPORATOR**

PURCHASER :

SUBMITTED BY : **Laura Craig**

PROJECT : **McDonald Green Elem**

DATE : **11 Oct 2022**

ORDER # : **06338.56873.00469-A00**

ITEM # : **3**

QUOTE # : **Q10EULCB-A**

ID # :

PURCHASER'S PO # :

TAGGING :

**SELECTED OPTION DESCRIPTIONS**

**Expansion Valve - Sporlan TXV**

May be Type EBQ, S, SBF, O externally equalized thermostatic expansion valve. Valves are selected using the specified capacity and operating conditions of the refrigeration system as specified on the accompanying Certified Prints.

**Installation Requirements - Minimum slope of 1" per foot on all drain lines**

Bally recommends a minimum slope of 1" per foot on all drain lines.

**Installation Requirements - P-trap per evap required outside of box**

All evaporators must be trapped individually outside of the box to prevent vapor migration back to coil surface.

**Liquid Line Solenoid Valve - Sporlan**

Sporlan solenoid coil voltage matches evaporator voltage except when evaporator is 460V, then 230V solenoid coil is used. Exceptions must be clearly explained in the Notes of the option.

**Pre-assembled Evap - Sporlan TXV, LLSV, T-stat**

Option Package consists of factory installed Sporlan balance port TXV, Sporlan liquid line solenoid valve and Johnson Controls A19 Room thermostat.

**Room Thermostats - Mechanical**

Single stage temperature control with Single-Pole, Double-Throw (SPDT) mechanical switch. May be Johnson A19 or equal, Operating range of -30°F to +100°F. Adjustable differential of 3°F to 12°F. Factory installed and wired.

Approval of this drawing signifies that the equipment is acceptable under the provision of the job specifications. Any change made hereon by any person whomsoever subject to acceptance by NATIONAL REFRIGERATION at its home office.



**NATIONAL REFRIGERATION AND AIR CONDITIONING CANADA CORP.**

159 ROY BLVD, PO BOX 2020  
BRANTFORD, ON  
CANADA N3T 5Y6

Order Item No: 3  
**BLP209MA-S1D**

**LOW PROFILE EVAPORATOR**

DATE : 11 Oct 2022

PURCHASER :

PROJECT : McDonald Green Elem

SUBMITTED BY : Laura Craig

NATIONAL REFRIGERATION will furnish equipment in accordance with this drawing and specifications, and subject to its published warranty. Approval of this drawing signifies that the equipment is acceptable under the provision of the job specifications. Any change made hereon by any person whomsoever subject to acceptance by NATIONAL REFRIGERATION at its home office.

Dimensions shown are for standard unit less options.

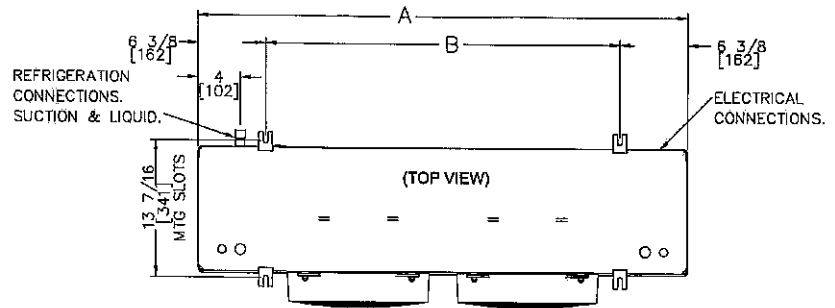
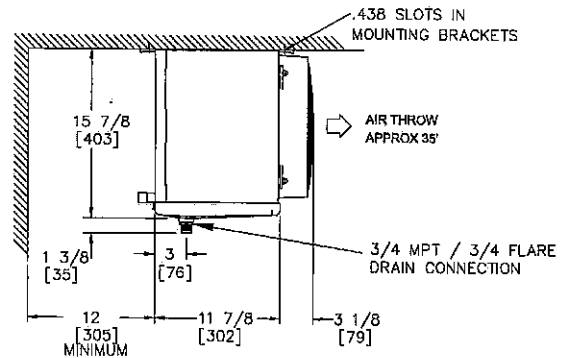
**DIMENSIONS**

DIMENSION A	46 1/4 in
DIMENSION B	33 1/4 in
DIMENSION C	
DIMENSION D	
DIMENSION E	
DIMENSION F	
DIMENSION G	0 in
DIMENSION H	

**CONNECTIONS**

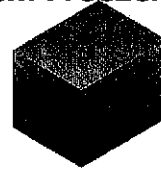
DISTRIBUTOR	3/8 in
SUCTION	7/8 in
DRAIN	3/4 in
WATER	
DISCHARGE	
PAN LOOP	
HOT GAS SIDE PORT	
HOT GAS INLET	
HOT GAS OUTLET	
<b>OTHER</b>	
SHIPPING WEIGHT	70 lb
REFRIGERANT CHARGE	1 lb
RECEIVER CAPACITY	

**APPROVALS**

NOTES:

**McDonald Green Elem Freezer LOAD CALCULATION**



COOLING REQUIREMENTS										
Application	General Walk-in Freezer			Location		Indoor				
Internal Temp	-10 °F	Internal RH	95%	External Temp		85 °F	External RH	55%		
Wall Load	1,512 BTUH	Infiltration	1,830 BTUH	Products		114 BTUH	Miscellaneous	631 BTUH		
	37%		45%			3%		15%		
WALL, FLOOR AND CEILING LOADS										
Section	Construction	Thickness (in)	K Factor	R Value	Ext Temp (°F)	Dim 1 (ft)	Dim 2 (ft)	Area (ft <sup>2</sup> )	Load (BTUH)	
Rear	Urethane, Standard panels	4.000	0.14	28.57	45.0	9.67	8.50	82	158	
Right End	Urethane, Standard panels	4.000	0.14	28.57	85.0	7.75	8.50	46	154	
	Door			15.00	85.0	3.00	6.50	20	123	
Front	Urethane, Standard panels	4.000	0.14	28.57	85.0	9.67	8.50	82	273	
Left End	Urethane, Standard panels	4.000	0.14	28.57	85.0	7.75	8.50	66	219	
Floor	Insulated Floor - Panels On Concrete On Grade	10.000	0.31	32.32		9.67	7.75	75	336	
Ceiling	Urethane, Standard panels	4.000	0.14	28.57	85.0	9.67	7.75	75	249	
VOLUME (ft <sup>3</sup> )		637		TOTAL WALL, FLOOR AND CEILING LOAD				1,512		
INFILTRATION LOAD : ESTIMATED BY DOORS AND OPENINGS										
Quantity	Door or Opening Type		Height (in)	Width (in)	External Temp (°F)	External Rh (%)	Open Time (hrs)	Curtains	Load (BTUH)	
1	Door		78.00	36.00	85.0	55.0	0.18	None	1,830	
TOTAL INFILTRATION LOAD ESTIMATED BY DOORS AND OPENINGS									1,830	
PRODUCT LOADS										
Type			Weight (lb)	Enter Temp (°F)	Final Temp (°F)	Pull Down (hrs)		Load (BTUH)		
General, Mixed Products, Approximation			637	0.0	-10.0	24		114		
TOTAL PRODUCT WEIGHT (lbs)			637	TOTAL PRODUCT LOAD			114			
MISCELLANEOUS LOADS										
Quantity	Description			Power	Units	Run Time (hrs)		Load (BTUH)		
2	LIGHTING			1	W/ft <sup>2</sup>	24		256		
	EVAPORATOR MOTORS			60	W	22		375		
TOTAL MISCELLANEOUS LOAD									631	
SYSTEM DESIGN SUMMARY										
Design Load (BTUH)	Safety Factor	Safety Load (BTUH)	Run Time (Hours)	Capacity Required (BTUH)	Refrigerant	Line Frequency (Hz)	Design TD (°F)	Line Loss (°F)	Condenser Ambient (°F)	
4,088	10%	4,497	18	5,995	R448A	60	10	0.5	105	
SYSTEM EQUIPMENT SELECTION										
Equipment Type	Quantity	Model Number		Description			Voltage		Rating (BTUH)	
Condensing Unit	1	BEZA020L8-HT3D		EZ-Line Scroll Condensing Units-Air			208-230/3/60		6,384	
Evaporator	1	BLP207LE-S2D		Low Profile Evaporator			208-230/1/60		7,189	
SYSTEM BALANCE										
Fan Load (BTUH)		Suction Temp (°F)			Evaporator TD (°F)			System Capacity (BTUH)		
		-19.5			9			6,516		

**NATIONAL REFRIGERATION AND AIR CONDITIONING CANADA CORP.**159 ROY BLVD, PO BOX 2020  
BRANTFORD, ON  
CANADA N3T 5Y6**BEZA020L8-HT3D****EZ-LINE SCROLL  
CONDENSING UNITS-AIR**

PURCHASER :

SUBMITTED BY : **Laura Craig**PROJECT : **McDonald Green Elem**DATE : **11 Oct 2022**ORDER # : **06338.56873.00469-A00**ITEM # : **4**QUOTE # : **Q10EULCB-A**

ID # :

PURCHASER'S PO # :

TAGGING :

**MODEL FEATURES**

- 3/8" Tubing coil construction (reduces refrigerant operating charge)
- Anti-short cycle time delay
- Adjustable pressure fan cycling control on 2 fan models only
- Copper tubing secured with cushion clamps
- Crankcase heater
- Fan Guard

- Fan motors are inherently protected with internal overloads
- Pre-formed piping
- Receiver with fusible plug and liquid shut off valve
- Suction Service valve
- Adjustable flooded head pressure control (unless otherwise indicated)
- Units are shipped with Helium holding charge
- Weatherproof electrical control box with compressor contactor and fused control circuit

- Welded hermetic Scroll compressor
- Adjustable low pressure control with flex hose / fixed high pressure control
- ECM with SmartSpeed Technology
- High efficiency enhanced copper tube and aluminium fin coil design
- Compatible with Low GWP Refrigerants
- Outdoor weatherproof pre-painted steel cabinet

**MODEL OPTIONS ( \* = Shipped Loose )****OPTION PACKAGES**

- Small B (Good@Warm/Moderate)  
 Small N (Better@Warm/Moderate)  
 Small P (Best@Warm/Moderate)  
 Small D (Good@Moderate/Cold)  
 Small J (Better@Moderate/Cold)  
 Small Q (Best@Moderate/Cold)  
 Small K  
 Small H

**ELECTRIC DEFROST KIT**

- DFK-02

**115V Control Circuit****ADJUSTABLE PRESSURE CONTROLS**

- Johnson Dual with flex hose  
 Separate High/Low  
 Separate High/Low: MAN Reset on HP

**BALL VALVE**

- \*Liquid Line  
 Liquid Line  
 \*Suction Line  
 Suction Line

**CAPACITY CONTROL - HOT GAS BYPASS**

- To Inlet of Evaporator  
 To Suction Line

**Compressor Circuit Breaker****CONDENSING UNIT PRISON PACKAGE**

- Tamper Proof Screws  
 Crankcase Pressure Regulator

**CONTACTORS**

- 30A Contactor  
 40A Contactor  
 60A Contactor

**DEFROST KIT  
(USE W/KE2 EVAP EFF)**

- Up to 30A per Evap  
 35A to 50A per Evap  
 Over 50A per Evap

**Discharge Air Hood**

- Discharge Line Check Valve

- Discharge Line Temperature Sensor

**DISCONNECT SWITCH**

- Fused  
 Non-Fused

**EC FAN MOTORS + SPEED CONTROLLER**

- All Motors Variable Speed - 230V Units

**ELECTRONIC PRESSURE CONTROL**

- Low Pressure Control  
 High Pressure Control

- Export Crating

**EXTENDED 4-YEAR COMPRESSOR WARRANTY**

- Copeland

**Extended Leg Kit****COIL COATING**

- E-Coat

**FIN MATERIAL**

- Gold Coat Fins  
 Copper Fins

**Hail Guard for Condenser**

- Heated and Insulated Receiver

**HOUSING MATERIAL**

- Stainless Steel

**Insulated Suction Line****LIQUID LINE FILTER + SIGHT GLASS**

- Sealed  
 Replaceable

- Liquid Line Lock-Out Relay

**LIQUID LINE SOLENOID VALVE**

- \*Standard 230V Coil  
 \*Standard 115V Coil

**OIL SEPARATOR**

- With Oil Filter and Solenoid

**One Time Pump Down**

- Oversized Receiver

**PHASE / VOLTAGE MONITOR**

- 3-Lead  
 6-Lead (MotorSaver455)

**Pump Down Toggle Switch**

- QuickVac Valves

**Receiver Inlet Ball Valve**

- Single Point Electrical

- Sub Cooling Circuit

**SUCTION ACCUMULATOR**

- With Heat Exchanger  
 Without Heat Exchanger

**SUCTION FILTER**

- Sealed Type  
 Replaceable Core

**TIME CLOCK**

- Paragon 8145 Style  
 \*230V Paragon 8145 Style  
 \*115V Paragon 8145 Style

**Wind Guard**

- Less Flooding Valve(s)

VOLTAGE		SYSTEM REFRIGERANT		RATING		SUCTION TEMP		AMBIENT TEMP		CAPACITY	
208-230/3/60		R448A		2Hp		-19.5 °F		105 °F		6516 BTUH	
FANS			COMPRESSOR			CIRCUIT TOTAL					
QTY	POWER	FLA/FAN	TYPE	QTY	RLA	LRA	AMPS	WATTS	MCA†	MOP‡	
1	100W	1	ZF07KAE-TF5	1	8.6	58	9.6		11.8	20	
LIQUID		SOUND		REC CAPACITY		APPROVALS					
SUCTION		WEIGHT		REF CHARGE							
3/8 in		-		11 lb							
7/8 in		315 lb		4 lb							

**NOTES:**

† MCA.. Minimum Circuit Ampacity, ‡ MOP.. Maximum Overcurrent Protection

MCA &amp; MOP are for the condensing unit ONLY. Single point connections WILL show different on dataplate.

AWEF = 3.1 for R404A/R507/ AWEF = 3.08 for R407A/R448A/R449A. Non-compliant DOE NRCAN model for all other refrigerants.

**APPROVED BY :****DATE :**

Approval of this drawing signifies that the equipment is acceptable under the provision of the job specifications. Any change made hereon by any person whomsoever subject to acceptance by NATIONAL REFRIGERATION at its home office.



**NATIONAL REFRIGERATION AND  
AIR CONDITIONING CANADA CORP.**

159 ROY BLVD, PO BOX 2020  
BRANTFORD, ON  
CANADA N3T 5Y6

**BEZA020L8-HT3D**

**EZ-LINE SCROLL  
CONDENSING UNITS-AIR**

PURCHASER :

SUBMITTED BY : **Laura Craig**

PROJECT : **McDonald Green Elem**

DATE : **11 Oct 2022**

ORDER # : **06338.56873.00469-A00**

ITEM # : **4**

QUOTE # : **Q10EULCB-A**

ID # :

PURCHASER'S PO # :

TAGGING :

**SELECTED OPTION DESCRIPTIONS**

**Electric Defrost Kit - DFK-02**

Electric Defrost Kit includes:

Mechanical Time Clock:

Time initiated temperature terminated with a timed failsafe.

Contactors:

Three pole definite purpose, 230V or 115V coil as defined by  
the control circuit voltage

HtrCont1x 40A

Fuse Blocks:

1x 30A (2P) Class CC

**Liquid Line Filter + Sight Glass - Sealed**

Sporlan C Series with ODF solder connections and Sporlan SA  
moisture indicator factory installed in liquid line.

**Option Packages - Small B (Good@Warm/Moderate)**

LLFD+SG

Approval of this drawing signifies that the equipment is acceptable under the provision of the job specifications. Any change made hereon by any person whomsoever subject to acceptance by NATIONAL REFRIGERATION at its home office.





**NATIONAL REFRIGERATION AND  
AIR CONDITIONING CANADA CORP.**

159 ROY BLVD, PO BOX 2020  
BRANTFORD, ON  
CANADA N3T 5Y6

Order Item No: 4  
**BEZA020L8-HT3D**  
EZ-LINE SCROLL  
CONDENSING UNITS-AIR

DATE : 11 Oct 2022

PURCHASER :

PROJECT : McDonald Green Elem

SUBMITTED BY : Laura Craig

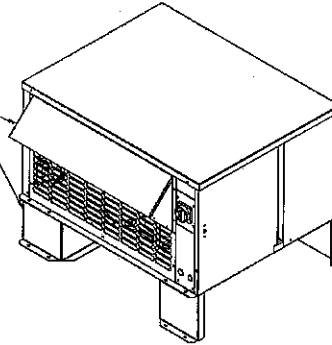
NATIONAL REFRIGERATION will furnish equipment in accordance with this drawing and specifications, and subject to its published warranty. Approval of this drawing signifies that the equipment is acceptable under the provision of the job specifications. Any change made hereon by any person whomsoever subject to acceptance by NATIONAL REFRIGERATION at its home office.

Dimensions shown are for standard unit less options.

**DIMENSIONS**

DIMENSION A	19 3/8 in
DIMENSION B	24 7/8 in
DIMENSION C	30 3/8 in
DIMENSION D	4 in
DIMENSION E	
DIMENSION F	
DIMENSION G	0 in
DIMENSION H	

OPTIONAL AIR  
DISCHARGE HOOD  
AND LEGS



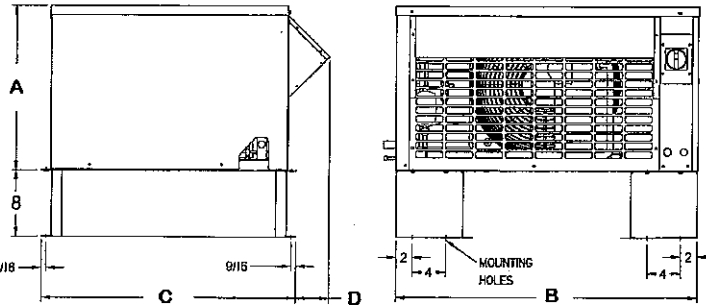
**CONNECTIONS**

LIQUID	3/8 in
SUCTION	7/8 in
DRAIN	
WATER	
DISCHARGE	
PAN LOOP	
HOT GAS SIDE PORT	
HOT GAS INLET	
HOT GAS OUTLET	

**OTHER**

SHIPPING WEIGHT	315 lb
REFRIGERANT CHARGE	4 lb
RECEIVER CAPACITY	11 lb

**APPROVALS**

**NOTES:**

AWEF = 3.1 for R404A/R507/ AWEF = 3.08 for R407A/R448A/R449A. Non-compliant DOE NRCAN model for all other refrigerants



**NATIONAL REFRIGERATION AND  
AIR CONDITIONING CANADA CORP.**

159 ROY BLVD, PO BOX 2020  
BRANTFORD, ON  
CANADA N3T 5Y6

**BLP207LE-S2D**

**LOW PROFILE  
EVAPORATOR**

PURCHASER :

SUBMITTED BY : **Laura Craig**

PROJECT : **McDonald Green Elem**

DATE : **11 Oct 2022**

ORDER # : **06338.56873.00469-A00**

ITEM # : **5**

QUOTE # : **Q10EULCB-A**

ID # :

PURCHASER'S PO # :

TAGGING :

**MODEL FEATURES**

- 3/8" Tubing coil construction (reduces refrigerant operating charge)
- Factory installed solenoid valve wire harness
- Heavy gauge textured aluminum cabinet construction resists scratches/corrosion
- Spacious piping end compartment allows for easy assembly

- Hinged drain pan with central universal drain connection (3/4" drain)
- Front access to spacious electrical and header compartments
- Schrader connection on suction header
- Attractive and durable high density polyethylene fan guards

- Ultra efficient Electronically Commutated Motor (ECM)
- ECM with SmartSpeed Technology
- High efficiency enhanced copper tube and aluminium fin coil design
- 6 FPI
- Unit Cooler is AWEF/NRCAN compliant with R404A/R507/R448A/R449A/R407A

**MODEL OPTIONS ( \* = Shipped Loose )**

**PRE-ASSEMBLED EVAP**

- SmartVap+ with EEV + Solvly Sporlan TXV, LLSV,T-stat
- KE2 Evap Efficiency w/Sporlan TXV
- KE2 Evap Efficiency w/Sporlan EEV
- \*KE2 Evap Efficiency w/Sporlan TXV
- \*KE2 Evap Efficiency w/Sporlan EEV

**Aux Sideport Connector**

- Painted White
- Stainless Steel

**SENSORS FOR CPC BOARDS**

- Coil Temp Sensor
- Return Air Temp Sensor

**DEMAND DEFROST ELECTRONIC CONTROLLER**

- KE2 Adaptive Control
- \*KE2 Adaptive Control
- KE2 Therm Evaporator Efficiency
- \*KE2 Therm Evaporator Efficiency

**Dual Circuit**

**ELECTRONIC CONTROLLER**

- SmartVap+ Control Board and Display

**EXPANSION VALVE**

- Sporlan TXV
- Sporlan EEV
- EEV for SmartVap+

**EVAPORATOR PRISON PACKAGE**

- Tamper Proof Screws

**Export Crating**

**COIL COATING**

- E-Coat

**FIN MATERIAL**

- Gold Coat Fins
- Copper Fins

**Insulated Drain Pan**

**KE2 THERM**

- \*CAT5e Shielded Cable - 50ft w/connectors
- 40' Leads on Sensors + Transducers
- Ethernet Adapter Kit
- \*Remote Combo Display
- \*Liquid / Suction Heat Exchanger

**LIQUID LINE SOLENOID VALVE**

- Sporlan
- Dual Voltage Coil 120-230V Field Wired

**Nitrogen Charged and Sealed ROOM THERMOSTATS**

- Mechanical
- \*Mechanical
- \*Johnson A19ABC
- \*Johnson A421ABC-02C
- Johnson A421ABC-02

**Wire Fan Guards**

**REMOTE DEFROST PANEL**

- \*230V Control
- \*115V Control

**INSTALLATION REQUIREMENTS**

- Minimum slope of 1" per foot on all drain lines
- P-trap per evap required outside of box
- Insulated drain line requires heat - 20W/ft

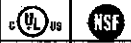
VOLTAGE	SYSTEM REFRIGERANT	AIR FLOW	EVAP. TEMP	BOX TEMP	CAPACITY
<b>208-230/1/60</b>	<b>R448A</b>	<b>1500 CFM</b>	<b>-19 °F</b>	<b>-10 °F</b>	<b>6516 BTUH</b>

FANS			HEATERS			CIRCUIT TOTAL			
QTY	POWER	FLA/FAN	TYPE	QTY	AMPS	AMPS	WATTS	MCA†	MOP‡
<b>2</b>	<b>0.07HP</b>	<b>0.6</b>				<b>1.2</b>	<b>120</b>	<b>1.4</b>	<b>15</b>
DEFROST HTRS					<b>8.2</b>		<b>1890</b>	<b>10.3</b>	<b>15</b>

DISTRIBUTOR	<b>3/8 in</b>	SOUND	-	REC CAPACITY		APPROVALS
SUCTION	<b>7/8 in</b>	WEIGHT	<b>76 lb</b>	REF CHARGE	<b>1 lb</b>	

NOTES:

† MCA.. Minimum Circuit Ampacity, ‡ MOP.. Maximum Overcurrent Protection



APPROVED BY :

DATE :

Approval of this drawing signifies that the equipment is acceptable under the provision of the job specifications. Any change made hereon by any person whomsoever subject to acceptance by NATIONAL REFRIGERATION at its home office.



**NATIONAL REFRIGERATION AND  
AIR CONDITIONING CANADA CORP.**  
159 ROY BLVD, PO BOX 2020  
BRANTFORD, ON  
CANADA N3T 5Y6

**BLP207LE-S2D**

**LOW PROFILE  
EVAPORATOR**

PURCHASER :

SUBMITTED BY : **Laura Craig**

PROJECT : **McDonald Green Elem**

DATE : **11 Oct 2022**

ORDER # : **06338.56873.00469-A00**

ITEM # : **5**

QUOTE # : **Q10EULCB-A**

ID # :

PURCHASER'S PO # :

TAGGING :

**SELECTED OPTION DESCRIPTIONS**

**Expansion Valve - Sporlan TXV**

May be Type EBQ, S, SBF, O externally equalized thermostatic expansion valve. Valves are selected using the specified capacity and operating conditions of the refrigeration system as specified on the accompanying Certified Prints.

**Installation Requirements - Insulated drain line  
requires heat - 20W/ft**

Freezer condensate drain lines must be insulated and heated with a minimum of 20 watts per foot.

**Installation Requirements - Minimum slope of 1" per  
foot on all drain lines**

Bally recommends a minimum slope of 1" per foot on all drain lines.

**Installation Requirements - P-trap per evap required  
outside of box**

All evaporators must be trapped individually outside of the box to prevent vapor migration back to coil surface.

**Liquid Line Solenoid Valve - Sporlan**

Sporlan solenoid coil voltage matches evaporator voltage except when evaporator is 460V, then 230V solenoid coil is used. Exceptions must be clearly explained in the Notes of the option.

**Pre-assembled Evap - Sporlan TXV, LLSV, T-stat**

Option Package consists of factory installed Sporlan balance port TXV, Sporlan liquid line solenoid valve and Johnson Controls A19 Room thermostat.

**Room Thermostats - Mechanical**

Single stage temperature control with Single-Pole, Double-Throw (SPDT) mechanical switch. May be Johnson A19 or equal, Operating range of -30°F to +100°F. Adjustable differential of 3°F to 12°F. Factory installed and wired.

Approval of this drawing signifies that the equipment is acceptable under the provision of the job specifications. Any change made hereon by any person whomsoever subject to acceptance by NATIONAL REFRIGERATION at its home office.



**NATIONAL REFRIGERATION AND AIR CONDITIONING CANADA CORP.**  
 159 ROY BLVD, PO BOX 2020  
 BRANTFORD, ON  
 CANADA N3T 5Y6

Order Item No: 5  
**BLP207LE-S2D**  
**LOW PROFILE**  
**EVAPORATOR**

NATIONAL REFRIGERATION will furnish equipment in accordance with this drawing and specifications, and subject to its published warranty. Approval of this drawing signifies that the equipment is acceptable under the provision of the job specifications. Any change made hereon by any person whomsoever subject to acceptance by NATIONAL REFRIGERATION at its home office.

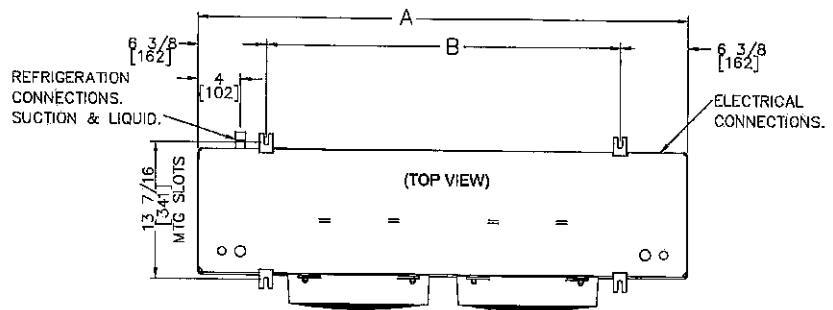
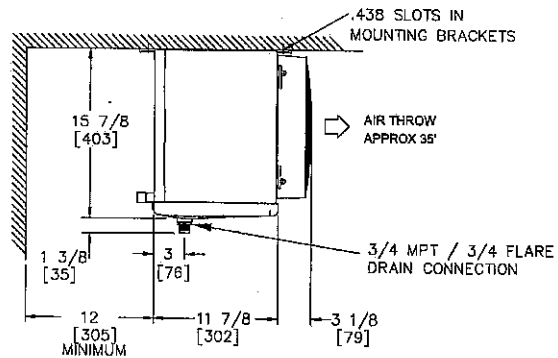
DATE : 11 Oct 2022  
 PURCHASER :  
 PROJECT : **McDonald Green Elem**  
 SUBMITTED BY : **Laura Craig**

Dimensions shown are for standard unit less options.

DIMENSIONS	
DIMENSION A	46 1/4 in
DIMENSION B	33 1/4 in
DIMENSION C	
DIMENSION D	
DIMENSION E	
DIMENSION F	
DIMENSION G	0 in
DIMENSION H	

CONNECTIONS	
DISTRIBUTOR	3/8 in
SUCTION	7/8 in
DRAIN	3/4 in
WATER	
DISCHARGE	
PAN LOOP	
HOT GAS SIDE PORT	
HOT GAS INLET	
HOT GAS OUTLET	
OTHER	
SHIPPING WEIGHT	76 lb
REFRIGERANT CHARGE	1 lb
RECEIVER CAPACITY	

APPROVALS			



NOTES:





## SWANSON-GIRARD

CULINARY SOLUTIONS

Project

McDonald Green Elem- Lancaster  
County Schools

From

Swanson-Girard & Assoc.  
Becky Jersey  
10420 Southern Loop Blvd.  
Pineville, NC 28134  
(704)521-8811  
(888)521-0778 0000 (Contact)  
(704)521-8801 (Fax)  
bjersey@swanson-girard.com

**The following discounts have been applied to this quotation. No additional discounts can be taken off the net price shown.**

**To ensure all discounts are applied correctly when ordering please send ALL ORDERS to Swanson-Girard. Email: [orders@swanson-girard.com](mailto:orders@swanson-girard.com) or Fax: 704-521-8801**

**For Tracking information please either reach out to SGA office or Autoquotes Order Status.**

**ITEM Cooler - SHELVING, WITH METAL FRAME (8 REQ'D)****Metro Model PR2460NK3 Dimensions: 60(w) x 24(d)**

Super Erecta Pro™ Shelf, 60"W x 24"D, removable polymer shelf mat, Metroseal 3™ epoxy-coated frame, built-in Microban product protection, split sleeves, attaches to Super Erecta® round posts, NSF

- |       |  |
|-------|--|
| 8 ea  | Model PR2448NK3 Super Erecta Pro™ Shelf, 48"W x 24"D, removable polymer shelf mat, Metroseal 3™ epoxy-coated frame, built-in Microban product protection, split sleeves, attaches to Super Erecta® round posts, NSF  |
| 16 ea | Model 74PK3 Super Erecta® SiteSelect™ Post, 74-1/2"H, adjustable leveling bolt, posts are grooved at 1" increments & numbered at 2" increments, double grooved every 8", Metroseal 3 Green epoxy coated corrosion-resistant finish with Microban® antimicrobial protection |
| 1 ea  | Model HP2236PD Metro Bow-Tie™ Dunnage Rack, 22" x 36" x 12"H, slotted, with separate polymer tie for joining racks, corrosion proof polymer construction, NSF  |

**ITEM Freezer - SHELVING, WITH METAL FRAME (8 REQ'D)****Metro Model PR2460NK3 Dimensions: 60(w) x 24(d)**

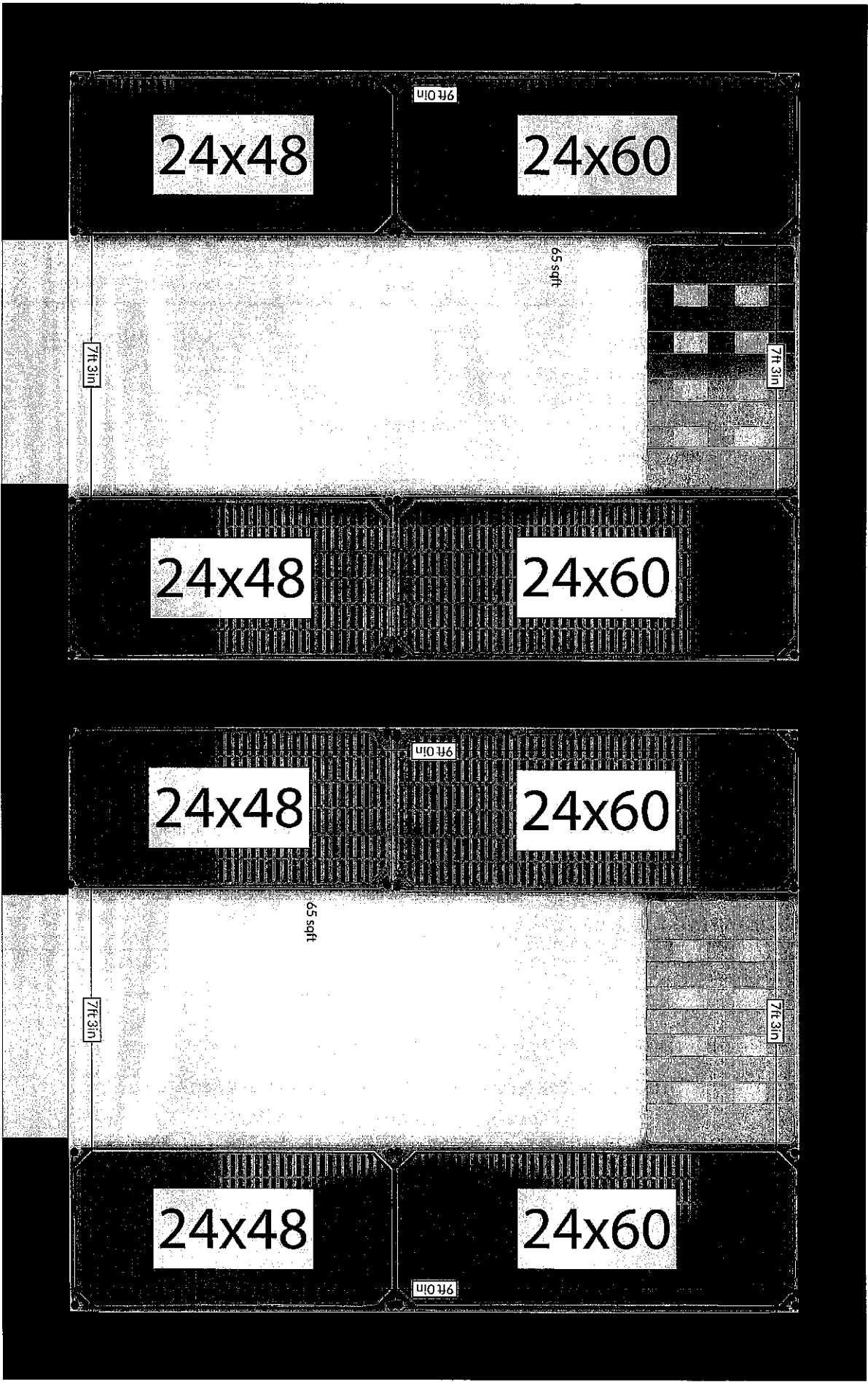
Super Erecta Pro™ Shelf, 60"W x 24"D, removable polymer shelf mat, Metroseal 3™ epoxy-coated frame, built-in Microban product protection, split sleeves, attaches to Super Erecta® round posts, NSF

- |       |  |
|-------|--|
| 8 ea  | Model PR2448NK3 Super Erecta Pro™ Shelf, 48"W x 24"D, removable polymer shelf mat, Metroseal 3™ epoxy-coated frame, built-in Microban product protection, split sleeves, attaches to Super Erecta® round posts, NSF  |
| 16 ea | Model 74PK3 Super Erecta® SiteSelect™ Post, 74-1/2"H, adjustable leveling bolt, posts are grooved at 1" increments & numbered at 2" increments, double grooved every 8", Metroseal 3 Green epoxy coated corrosion-resistant finish with Microban® antimicrobial protection |
| 1 ea  | Model HP2236PD Metro Bow-Tie™ Dunnage Rack, 22" x 36" x 12"H, slotted, with separate polymer tie for joining racks, corrosion proof polymer construction, NSF  |



---

*This quotation is based on our understanding of the information provided to us. While we make every effort to ensure that the quote is correct, **IT IS ULTIMATELY THE CUSTOMER'S RESPONSIBILITY TO CHECK THE QUOTE FOR ERRORS.** We are not responsible for this quotation meeting your requirements based on incorrect information. Please check our quotation carefully. Anything not listed will not be furnished. **All items are quoted as each unless otherwise shown.***







**Bally Refrigerated Boxes, Inc.**  
**Morehead City, NC 28557 (800) 242-2559**

**Last Update:** 10/12/2022  
**Revisor:** Laura Craig  
**To:** All Bidders

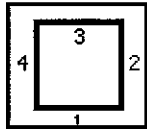
**Quote No:** 2751-001-R05-LC  
**Item No:**  
**Job Name:** South Middle School  
**Date:** 10/12/2022 **PVD:** 10/3/2022  
**From:** Laura Craig  
 Swanson-Girard & Associates  
 10420 Southern Loop Blvd  
 Pineville, NC 28134  
**Phone:** **Fax:** (704)521-8801

**Attn:**

**Box Shape**

**Indoor Structure**

**NSF APPROVED**



***Bally Prefabricated Exterior Dimensions:***

19'-3"(l) x 11'-7"(w) x 8'-6"(h)  
 2 Compartments 1 Tiers With Floor 4" Floor  
 Ceiling: Single Span

***Panel Thickness:***

4 in. Exterior Vertical Used (7'-10") with 4 in. Partition, 4 in. Floor, 4 in. Ceiling

**Details on Following Page(s)**

**NOTE:** Freight shown is an estimate based on current published rates. A fuel surcharge will be added and changes continuously.

***Walk-in Price:***

***Refrigeration Price:***

***Total Price (FOB Plant) (Less Refrig. Warranties):***

***Estimated Freight:***

***Optional Warranties: (not included in Total Price)***

(1) 00 3/4 HP System (5 yr. Parts , 1 yr. Labor)

(1) 02.5 HP System (5 yr. Parts , 1 yr. Labor)

**Payment terms and conditions are available upon request.**

*This quotation was based on information supplied to us which may or may not have been complete. Customer is responsible for reviewing this quotation for exclusions, deviations, and any improper information supplied to us.*

**Signature:** \_\_\_\_\_

Laura Craig

**Date:** \_\_\_\_\_

*We are not responsible for the selection or recommendation of the panel finish for any building or walk-in application.*

**NOTE: Quoting Bally standard specifications, sizes, and finishes.**

***This quotation is good through 11/26/2022***

**Act of 2007 (Public Law 110-140) Title III; Section 312, regarding Walk-In Coolers and Walk-In Freezers.**



**Bally Refrigerated Boxes, Inc.**  
**Morehead City, NC 28557 (800) 242-2559**

**Last Update:** 10/12/2022  
**Revisor:** Laura Craig  
**To:** All Bidders

**Quote No:** 2751-001-R05-LC  
**Item No:**  
**Job Name:** South Middle School  
**Date:** 10/12/2022 **PVD:** 10/3/2022  
**From:** Laura Craig  
 Swanson-Girard & Associates  
 10420 Southern Loop Blvd  
 Pineville, NC 28134

**Attn:**

**Phone:** **Fax:** (704)521-8801

**Indoor Structure**

**NSF APPROVED**

***Bally Prefabricated Exterior Dimensions:***

19'-3"(l) x 11'-7"(w) x 8'-6"(h)  
 2 Compartments 1 Tiers With Floor 4" Floor  
 Ceiling: Single Span

***Panel Thickness:***

4 in. Exterior Vertical Used (7'-10") with 4 in. Partition, 4 in. Floor, 4 in. Ceiling

***Details and specifications for Quote No: 2751-001-R05-LC***

***Comments:***

***Base Finish***

Vertical and Ceiling Panels: Embossed Galvalume (26 GA)

***Special Finishes:***

Interior Floor - Aluminum Treadplate .125" Thick

***Doors/Openings:***

Wall 1 Door 1	(1) 36" x 78" Hinged Door In a 46"
Wall 1 Door 1	(1) Ext.Alum Diam/Tread Ramp (30-36" Door)
Wall 1 Door 1	(1) Super Door 36" Wide and Under, 30" High
Wall 1 Door 2	(1) 36" x 78" Hinged Door In a 46"
Wall 1 Door 2	(1) Bally Standard Pressure Relief Port (< 400 sq/ft)
Wall 1 Door 2	(1) Ext.Alum Diam/Tread Ramp (30-36" Door)
Wall 1 Door 2	(1) Strip Curtain (36" Door and Under)
Wall 1 Door 2	(1) Super Door 36" Wide and Under, 30" High

***Accessories and Extras:***

(4) 48" LED KEIL 48x754-CL-N Light  
 - 40° F to 100° F(Range)

***Floor Options:***

(240) S/F 1/2" Plywood Foamed in Panel



**Bally Refrigerated Boxes, Inc.**  
**Morehead City, NC 28557 (800) 242-2559**

**Last Update:** 10/12/2022  
**Revisor:** Laura Craig  
**To:** All Bidders

**Quote No:** 2751-001-R05-LC  
**Item No:**  
**Job Name:** South Middle School  
**Date:** 10/12/2022 **PVD:** 10/3/2022  
**From:** Laura Craig  
 Swanson-Girard & Associates  
 10420 Southern Loop Blvd  
 Pineville, NC 28134

**Attn:**

**Phone:** **Fax:** (704)521-8801

---

**Refrigeration:**

- (1) BEZA 007 H8 HT3DB (208-230/3/60) w/ smart speed  
Scroll Unit 7190 BTU
- (1) BEZA 025 L8 HT3D (208-230/3/60) w/ smart speed  
Includes defrost contactor for 1 Evap.
- (1) BLP209LE-S2D 208-230/1/60  
2 Fan 9390 BTU/h
- (1) BLP209-MA-S1D 115/1/60  
2 Fan 8700 BTU/h
- (1) Refrigeration is calculated for standard use at a box temperature of  
35° F. for the cooler and -10° F. for the freezer with a condensing  
unit ambient of 105° F.
- (1) The refrigeration is calculated for a line run of less than 50'
- (1) Time Clock 8145 (shipped loose) 115/1/60

**Estimated Shipping:**

**Weight:** 6,581.25  
**Destination:** Lancaster, SC, 29720



**Bally Refrigerated Boxes, Inc.**  
**Morehead City, NC 28557 (800) 242-2559**

**Last Update:** 10/12/2022  
**Revisor:** Laura Craig  
**To:** All Bidders

**Quote No:** 2751-001-R05-LC  
**Item No:**  
**Job Name:** South Middle School  
**Date:** 10/12/2022 **PVD:** 10/3/2022  
**From:** Laura Craig  
 Swanson-Girard & Associates  
 10420 Southern Loop Blvd  
 Pineville, NC 28134

**Phone:** **Fax:** (704)521-8801

**Deviations (Alternates, Remarks, Clarifications, Etc.):**

Bally Floor Panels are capable of supporting up to 800 lbs. Per Sq/Ft uniformly distributed stationary loading. Bally does not recommend the use rolling loads of heavy carts, pallet jacks or fork lifts on top of the floors. Warranty for floors subjected to this type of use would not be covered by Bally.

**Exclusions (Items Not Supplied by Bally):**

- |   |  |
|---|--|
| <input checked="" type="checkbox"/> Shelving, Racks, Interior Accessories | <input checked="" type="checkbox"/> Caulking and Sealants                    |
| <input type="checkbox"/> Labor on Warranties                              | <input type="checkbox"/> Refrigeration Systems                               |
| <input checked="" type="checkbox"/> Alarm Systems                         | <input checked="" type="checkbox"/> Refrigeration Accessories                |
| <input checked="" type="checkbox"/> Supervision                           | <input checked="" type="checkbox"/> Closure Panel and Trim                   |
| <input checked="" type="checkbox"/> Tubing, Wiring for Rfg. Equipment     | <input checked="" type="checkbox"/> Sleeves, Penetrations, Escutcheon Plates |
| <input checked="" type="checkbox"/> Compressor Rack                       | <input checked="" type="checkbox"/> Floor Insulation and Vapor Barrier       |

**Cancelled Orders:** Cancelled unshipped standard walk-ins will be charged a 30% restocking fee plus the cost of special panels. Cancelled refrigeration systems will be charged a 30% restocking fee and the cost of any freight accrued. Buy-out items will be charged a 25% restocking fee plus any freight accrued.

**Agency Ratings:** Bally units comply or surpass applicable Flame Spread-25, UL, UL 723, & NSF standards in a manner conforming to ASTM E-84, and Factory Mutual standards.

**Quotation Limitations:** This quotation was based upon the specifications given to Bally which may possibly be incomplete. Bally is not responsible for items missing from the quotation due to incomplete or excluded items in the specifications received from the customer. The customer is responsible for reviewing the quotation for omissions or deviations from the specifications given to Bally. All portions of the quotation are subject to revision upon receipt of detailed specifications or if changes are made following the delivery of the original quotation. Quotations expire on the date indicated on Page 1 of the Quote. Approval drawings must be returned within 60 days of receipt of the purchase order. The order must ship within the agreed upon time frames or current lead times, but no later than 7 months. Any deviations to this quotation (dimensions or specification changes) will require updated pricing.

**Panel Construction:** Bally Panels are manufactured with environmentally friendly HFC 245-FA polyurethane foam. This polyurethane foam offers the highest thermal insulation value and the most energy efficiency per cubic inch in comparison to similar foams. It has a zero Ozone Depletion Potential (ODP) and a low Global Warming Potential (GWP). It is not considered a Volatile Organic Compound (VOC) in the US. Standard 4" Bally panels meet the 2009 Federal Energy Standards.

**Refrigerants:** Unless otherwise specified, refrigeration systems are quoted with environmentally friendly HFO R448A refrigerant. It has a Low Global Warming Potential (GWP) and the EPA lists it as an acceptable substitute for R404A and other high GWP refrigerants.

**Automatic Door Closers:** Bally includes automatic door closers and spring loaded hinges on all doors 42" wide and smaller as a standard feature with no additional charge that meet the 2009 Federal Energy Standards.

**Motors:** Bally units are quoted with EC and PSC motors in compliance with federal energy standards, for increased energy savings.

**Lighting:** Bally units are quoted with lighting in compliance with federal Energy Standards for increased energy savings.

**Optional Features:** Bally offers additional optional energy-saving features such as Walk-In Alarm & Light Management systems that comply or surpass the 2009 Federal energy regulations.



**Bally Refrigerated Boxes, Inc.**  
**Morehead City, NC 28557 (800) 242-2559**

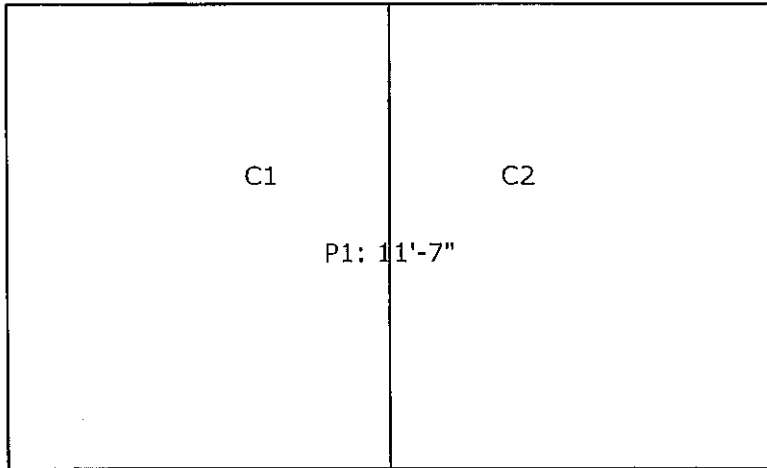
*Last Update:* 10/12/2022  
*Revisor:* Laura Craig  
*To:* All Bidders

*Quote No:* 2751-001-R05-LC  
*Item No:*  
*Job Name:* South Middle School  
*Date:* 10/12/2022 *PVD:* 10/3/2022  
*From:* Laura Craig  
 Swanson-Girard & Associates  
 10420 Southern Loop Blvd  
 Pineville, NC 28134  
*Phone:* *Fax:* (704)521-8801

This drawing is for reference purposes only and it not intended to be a formal scale model.

w3: 19'-3"

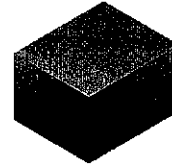
w4: 11'-7"



w1: 19'-3"

DOOR 1: Wall 1 36" x 78" Hinged Door In a 46" Offset: 4'-0" Hinge: Right Orientation: Regular  
 DOOR 2: Wall 1 36" x 78" Hinged Door In a 46" Offset: 15'-0" Hinge: Right Orientation: Regular  
 PARTITION 1: Wall 1 Offset: 9'-8" from wall 2 Connect

**South Middle School Cooler Combo LOAD CALCULATION**



COOLING REQUIREMENTS									
Application	General Walk-in Cooler			Location				Indoor	
Internal Temp	35 °F	Internal RH	84%	External Temp	85 °F	External RH	55%		
Wall Load	958 BTUH	Infiltration	996 BTUH	Products	625 BTUH	Miscellaneous	801 BTUH		
	28%		29%		19%		24%		
WALL, FLOOR AND CEILING LOADS									
Section	Construction	Thickness (in)	K Factor	R Value	Ext Temp (°F)	Dim 1 (ft)	Dim 2 (ft)	Area (ft²)	Load (BTUH)
Rear	Urethane, Standard panels	4.000	0.14	28.57	35.0	11.70	8.50	99	
Right End	Urethane, Standard panels	4.000	0.14	28.57	85.0	9.80	8.50	64	112
	Door			15.00	85.0	3.00	6.50	20	65
Front	Urethane, Standard panels	4.000	0.14	28.57	85.0	11.70	8.50	99	174
Left End	Urethane, Standard panels	4.000	0.14	28.57	85.0	9.80	8.50	83	146
Floor	Insulated Floor - Panels On Concrete On Grade	10.000	0.31	32.32		11.70	9.80	115	262
Ceiling	Urethane, Standard panels	4.000	0.14	28.57	85.0	11.70	9.80	115	201
VOLUME (ft³)		975	TOTAL WALL, FLOOR AND CEILING LOAD				958		
INFILTRATION LOAD : ESTIMATED BY VOLUME AND USAGE									
Box Usage	Internal Temp (°F)	Internal Rh (%)	External Temp (°F)	External Rh (%)	Ventilation (CFM)	Load (BTUH)			
Regular	35	84	85	55		996			
PRODUCT LOADS									
Type	Weight (lb)	Enter Temp (°F)	Final Temp (°F)	Pull Down (hrs)	Load (BTUH)				
General, Mixed Products, Approximation	1,949	45.0	35.0	24	625				
TOTAL PRODUCT WEIGHT (lbs)		1,949	TOTAL PRODUCT LOAD		625				
MISCELLANEOUS LOADS									
Quantity	Description	Power	Units	Run Time (hrs)	Load (BTUH)				
	LIGHTING	1	W/ft²	24	391				
2	EVAPORATOR MOTORS	60	W	24	409				
TOTAL MISCELLANEOUS LOAD					801				
SYSTEM DESIGN SUMMARY									
Design Load (BTUH)	Safety Factor	Safety Load (BTUH)	Run Time (Hours)	Capacity Required (BTUH)	Refrigerant	Line Frequency (Hz)	Design TD (°F)	Line Loss (°F)	Condenser Ambient (°F)
3,380	10%	3,718	16	5,577	R404A	60	10.1	0.5	105
SYSTEM EQUIPMENT SELECTION									
Equipment Type	Quantity	Model Number	Description			Voltage	Rating (BTUH)		
Condensing Unit	1	BEZA007H8-HT3D	EZ-Line Scroll, Condensing Units-Air			208-230/3/60			
Evaporator	1	BLP209MA-S1D	Low Profile, Evaporator			115/1/60			
SYSTEM BALANCE									
Fan Load (BTUH)	Suction Temp (°F)		Evaporator TD (°F)		System Capacity (BTUH)				
	26.4		8.1		6,866				



**NATIONAL REFRIGERATION AND  
AIR CONDITIONING CANADA CORP.**

159 ROY BLVD, PO BOX 2020  
BRANTFORD, ON  
CANADA N3T 5Y6

**BEZA007H8-HT3D**

**EZ-LINE SCROLL  
CONDENSING UNITS-AIR**

PURCHASER :

SUBMITTED BY : **Laura Craig**

PROJECT : **South Middle School Lancaster SC**

DATE : **11 Oct 2022**

ORDER # : **06338.58290.00469-A00**

ITEM # : **1**

QUOTE # : **Q10EULCB-A**

ID # :

PURCHASER'S PO # :

TAGGING :

**MODEL FEATURES**

- 3/8" Tubing coil construction (reduces refrigerant operating charge)
- Anti-short cycle time delay
- Adjustable pressure fan cycling control on 2 fan models only
- Copper tubing secured with cushion clamps
- Crankcase heater
- Discharge line temperature sensor
- Fan Guard

- Fan motors are inherently protected with internal overloads
- Pre-formed piping
- Receiver with fusible plug and liquid shut off valve
- Suction Service valve
- Adjustable flooded head pressure control (unless otherwise indicated)
- Units are shipped with Helium holding charge
- Weatherproof electrical control box with compressor contactor and fused control circuit

- Welded hermetic Scroll compressor
- Adjustable low pressure control with flex hose / fixed high pressure control
- ECM with SmartSpeed Technology
- High efficiency enhanced copper tube and aluminium fin coil design
- Compatible with Low GWP Refrigerants
- Outdoor weatherproof pre-painted steel cabinet

**MODEL OPTIONS ( \* = Shipped Loose )**

**OPTION PACKAGES**

- Small B (Good@Warm/Moderate)
- Small N (Better@Warm/Moderate)
- Small P (Best@Warm/Moderate)
- Small D (Good@Moderate/Cold)
- Small J (Better@Moderate/Cold)
- Small Q (Best@Moderate/Cold)
- Small K
- Small H

**115V Control Circuit**

**ADJUSTABLE PRESSURE CONTROLS**

- Johnson Dual with flex hose
- Separate High/Low
- Separate High/Low: MAN Reset on HP

**BALL VALVE**

- \*Liquid Line
- Liquid Line
- \*Suction Line
- Suction Line

**CAPACITY CONTROL - HOT GAS BYPASS**

- To Inlet of Evaporator
- To Suction Line

**Compressor Circuit Breaker**

**CONDENSING UNIT PRISON PACKAGE**

- Tamper Proof Screws
- Crankcase Pressure Regulator

**CONTACTORS**

- 30A Contactor
- 40A Contactor
- 60A Contactor

**DEFROST KIT**

**(USE W/KE2 EVAP EFF)**

- Up to 30A per Evap
- 35A to 50A per Evap
- Over 50A per Evap

**Discharge Air Hood**

- Discharge Line Check Valve

**DISCONNECT SWITCH**

- Fused
- Non-Fused

**EC FAN MOTORS + SPEED CONTROLLER**

- All Motors Variable Speed - 230V Units

**ELECTRONIC PRESSURE CONTROL**

- Low Pressure Control
- High Pressure Control

**Export Crating**

**EXTENDED 4-YEAR COMPRESSOR WARRANTY**

- Copeland
- Extended Leg Kit

**COIL COATING**

- E-Coat

**FIN MATERIAL**

- Gold Coat Fins
- Copper Fins

**Hail Guard for Condenser**

**Heated and Insulated Receiver**

**HOUSING MATERIAL**

- Stainless Steel
- Insulated Suction Line

**LIQUID LINE FILTER + SIGHT GLASS**

- Sealed
- Replaceable

**Liquid Line Lock-Out Relay**

**LIQUID LINE SOLENOID VALVE**

- \*Standard 230V Coil
- \*Standard 115V Coil

**OIL SEPARATOR**

- With Oil Filter and Solenoid
- One Time Pump Down

**Oversized Receiver**

**PHASE / VOLTAGE MONITOR**

- 3-Lead
- 6-Lead (MotorSaver455)

**Pump Down Toggle Switch**

**QuickVac Valves**

**Receiver Inlet Ball Valve**

**Single Point Electrical**

**SUCTION ACCUMULATOR**

- With Heat Exchanger
- Without Heat Exchanger

**SUCTION FILTER**

- Sealed Type
- Replaceable Core

**TIME CLOCK**

- Paragon 8145 Style
- \*230V Paragon 8145 Style
- \*115V Paragon 8145 Style

**Wind Guard**

- Less Flooding Valve(s)

VOLTAGE		SYSTEM REFRIGERANT		RATING		SUCTION TEMP		AMBIENT TEMP		CAPACITY	
208-230/3/60		R404A		0.7Hp		26.4 °F		105 °F		6866 BTUH	
FANS			COMPRESSOR				CIRCUIT TOTAL				
QTY	POWER	FLA/FAN	TYPE	QTY	RLA	LRA	AMPS	WATTS	MCA†	MOP‡	
1	100W	1	ZB06KAE-TF5	1	4.8	37.8	5.8		7	15	
LIQUID		3/8 in	SOUND	-		REC CAPACITY		5 lb			
SUCTION		5/8 in	WEIGHT	183 lb		REF CHARGE		3 lb			

**NOTES:**

† MCA.. Minimum Circuit Ampacity, ‡ MOP.. Maximum Overcurrent Protection  
MCA & MOP are for the condensing unit ONLY. Single point connections WILL show different on dataplate.  
AWEF = 7.6 for R404A/R507/R407A/R448A/R449A. Non-compliant DOE NRCAN model for all other refrigerants



**APPROVED BY :**

**DATE :**

Approval of this drawing signifies that the equipment is acceptable under the provision of the job specifications. Any change made hereon by any person whomsoever subject to acceptance by NATIONAL REFRIGERATION at its home office.



**NATIONAL REFRIGERATION AND  
AIR CONDITIONING CANADA CORP.**  
159 ROY BLVD, PO BOX 2020  
BRANTFORD, ON  
CANADA N3T 5Y6

**BEZA007H8-HT3D**  
**EZ-LINE SCROLL**  
**CONDENSING UNITS-AIR**

PURCHASER :

SUBMITTED BY : **Laura Craig**

PROJECT : **South Middle School Lancaster SC**

DATE : **11 Oct 2022**

ORDER # : **06338.58290.00469-A00**

ITEM # : **1**

QUOTE # : **Q10EULCB-A**

ID # :

PURCHASER'S PO # :

TAGGING :

**SELECTED OPTION DESCRIPTIONS**

**Liquid Line Filter + Sight Glass - Sealed**

Sporlan C Series with ODF solder connections and Sporlan SA moisture indicator factory installed in liquid line.

**Option Packages - Small B (Good@Warm/Moderate)**

LLFD+SG

**Time Clock - 115V Paragon 8145 Style**

115V Defrost timer is time initiated, temperature or pressure terminated with a timed failsafe. Timer is shipped loose in a box for field installation.

Approval of this drawing signifies that the equipment is acceptable under the provision of the job specifications. Any change made hereon by any person whomsoever subject to acceptance by NATIONAL REFRIGERATION at its home office.





**NATIONAL REFRIGERATION AND AIR CONDITIONING CANADA CORP.**

159 ROY BLVD, PO BOX 2020  
BRANTFORD, ON  
CANADA N3T 5Y6

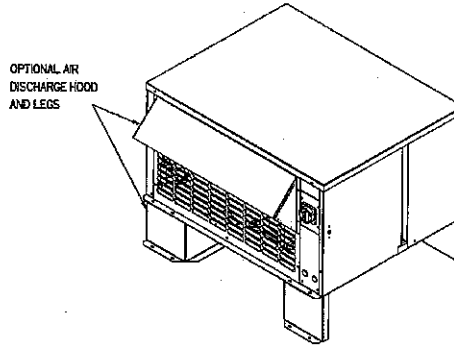
Order Item No: 1  
**BEZA007H8-HT3D**  
EZ-LINE SCROLL  
CONDENSING UNITS-AIR

NATIONAL REFRIGERATION will furnish equipment in accordance with this drawing and specifications, and subject to its published warranty. Approval of this drawing signifies that the equipment is acceptable under the provision of the job specifications. Any change made hereon by any person whomsoever subject to acceptance by NATIONAL REFRIGERATION at its home office.

DATE : 11 Oct 2022  
PURCHASER :  
PROJECT : South Middle School Lancaster SC  
SUBMITTED BY : Laura Craig

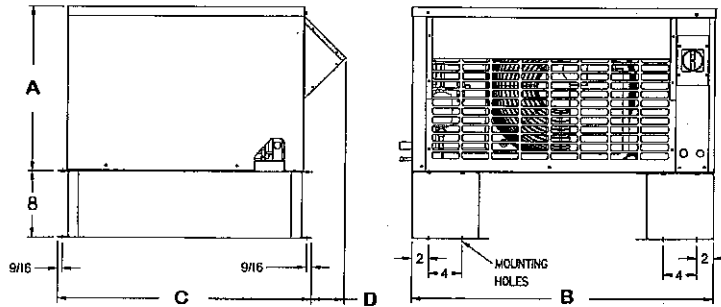
Dimensions shown are for standard unit less options.

DIMENSIONS	
DIMENSION A	19 3/8 in
DIMENSION B	24 7/8 in
DIMENSION C	30 3/8 in
DIMENSION D	4 in
DIMENSION E	
DIMENSION F	
DIMENSION G	0 in
DIMENSION H	



CONNECTIONS	
LIQUID	3/8 in
SUCTION	5/8 in
DRAIN	
WATER	
DISCHARGE	
PAN LOOP	
HOT GAS SIDE PORT	
HOT GAS INLET	
HOT GAS OUTLET	
OTHER	
SHIPPING WEIGHT	183 lb
REFRIGERANT CHARGE	3 lb
RECEIVER CAPACITY	5 lb

APPROVALS			



NOTES:

AWEF = 7.6 for R404A/R507/R407A/R448A/R449A. Non-compliant DOE NRCAN model for all other refrigerants

**NATIONAL REFRIGERATION AND AIR CONDITIONING CANADA CORP.**159 ROY BLVD, PO BOX 2020  
BRANTFORD, ON  
CANADA N3T 5Y6**BLP209MA-S1D****LOW PROFILE EVAPORATOR**

PURCHASER :

SUBMITTED BY : **Laura Craig**PROJECT : **South Middle School Lancaster SC**DATE : **11 Oct 2022**ORDER # : **06338.58290.00469-A00**ITEM # : **3**QUOTE # : **Q10EULCB-A**

ID # :

PURCHASER'S PO # :

TAGGING :

**MODEL FEATURES**

- 3/8" Tubing coil construction (reduces refrigerant operating charge)
- Factory installed solenoid valve wire harness
- Heavy gauge textured aluminum cabinet construction resists scratches/corrosion
- Spacious piping end compartment allows for easy assembly

- Hinged drain pan with central universal drain connection (3/4" drain)
- Front access to spacious electrical and header compartments
- Schrader connection on suction header
- Attractive and durable high density polyethylene fan guards
- Ultra efficient Electronically Commutated Motor (ECM)

- ECM with SmartSpeed Technology
- High efficiency enhanced copper tube and aluminium fin coil design
- 6 FPI
- AWEF = 9.0
- Unit Cooler is AWEF/NRCAN compliant with R404A/R507/R448A/R449A/R407A/R407C

**MODEL OPTIONS ( \* = Shipped Loose )****PRE-ASSEMBLED EVAP**

- SmartVap+ with EEV + Solvlv
- Sporlan TXV, LLSV,T-stat
- KE2 Evap Efficiency w/Sporlan EEV
- \*KE2 Evap Efficiency w/Sporlan EEV

**Aux Sideport Connector****CABINET FINISH**

- Painted White
- Stainless Steel

**SENSORS FOR CPC BOARDS**

- Coil Temp Sensor
- Return Air Temp Sensor

**DEMAND DEFROST ELECTRONIC CONTROLLER**

- KE2 Therm Evaporator Efficiency
- \*KE2 Therm Evaporator Efficiency

**Dual Circuit****ELECTRONIC CONTROLLER**

- KE2 Temp+Defrost
- SmartVap+ Control Board and Display

**EXPANSION VALVE**

- Sporlan TXV
- Sporlan EEV
- EEV for SmartVap+

**Evaporator Disconnect Switch****EVAPORATOR PRISON PACKAGE**

- Tamper Proof Screws

**Export Crating****COIL COATING**

- E-Coat

**FIN MATERIAL**

- Gold Coat Fins
- Copper Fins

**Insulated Drain Pan****KE2 THERM**

- \*CAT5e Shielded Cable - 50ft w/connectors
- 40' Leads on Sensors + Transducers
- Ethernet Adapter Kit
- \*Remote Combo Display
- \*Liquid / Suction Heat Exchanger

**LIQUID LINE SOLENOID VALVE**

- Sporlan
- Dual Voltage Coil 120-230V Field Wired

**Nitrogen Charged and Sealed ROOM THERMOSTATS**

- Mechanical
- \*Mechanical
- \*Johnson A19ABC
- \*Johnson A421ABC-02C
- Johnson A421ABC-02

**Wire Fan Guards****REMOTE DEFROST PANEL**

- \*230V Control
- \*115V Control

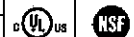
**INSTALLATION REQUIREMENTS**

- Minimum slope of 1" per foot on all drain lines
- P-trap per evap required outside of box

VOLTAGE		SYSTEM REFRIGERANT		AIR FLOW	EVAP. TEMP	BOX TEMP	CAPACITY		
115/1/60		R404A		1500 CFM	26.9 °F	35 °F	6866 BTUH		
FANS		HEATERS			CIRCUIT TOTAL				
QTY	POWER	FLA/FAN	TYPE	QTY	AMPS	AMPS	WATTS	MCA†	MOP‡
2	0.07HP	1				2	120	2.3	15
DISTRIBUTOR	3/8 in	SOUND	-	REC CAPACITY			APPROVALS		
SUCTION	7/8 in	WEIGHT	70 lb	REF CHARGE	1 lb				

## NOTES:

† MCA.. Minimum Circuit Ampacity, ‡ MOP.. Maximum Overcurrent Protection



APPROVED BY :

DATE :

Approval of this drawing signifies that the equipment is acceptable under the provision of the job specifications. Any change made hereon by any person whomsoever subject to acceptance by NATIONAL REFRIGERATION at its home office.



**NATIONAL REFRIGERATION AND  
AIR CONDITIONING CANADA CORP.**  
159 ROY BLVD, PO BOX 2020  
BRANTFORD, ON  
CANADA N3T 5Y6

**BLP209MA-S1D**

**LOW PROFILE  
EVAPORATOR**

PURCHASER :

SUBMITTED BY : **Laura Craig**

PROJECT : **South Middle School Lancaster SC**

DATE : **11 Oct 2022**

ORDER # : **06338.58290.00469-A00**

ITEM # : **3**

QUOTE # : **Q10EULCB-A**

ID # :

PURCHASER'S PO # :

TAGGING :

**SELECTED OPTION DESCRIPTIONS**

**Expansion Valve - Sporlan TXV**

May be Type EBQ, S, SBF, O externally equalized thermostatic expansion valve. Valves are selected using the specified capacity and operating conditions of the refrigeration system as specified on the accompanying Certified Prints.

**Installation Requirements - Minimum slope of 1" per foot on all drain lines**

Bally recommends a minimum slope of 1" per foot on all drain lines.

**Installation Requirements - P-trap per evap required outside of box**

All evaporators must be trapped individually outside of the box to prevent vapor migration back to coil surface.

**Liquid Line Solenoid Valve - Sporlan**

Sporlan solenoid coil voltage matches evaporator voltage except when evaporator is 460V, then 230V solenoid coil is used. Exceptions must be clearly explained in the Notes of the option.

**Pre-assembled Evap - Sporlan TXV, LLSV, T-stat**

Option Package consists of factory installed Sporlan balance port TXV, Sporlan liquid line solenoid valve and Johnson Controls A19 Room thermostat.

**Room Thermostats - Mechanical**

Single stage temperature control with Single-Pole, Double-Throw (SPDT) mechanical switch. May be Johnson A19 or equal, Operating range of -30°F to +100°F. Adjustable differential of 3°F to 12°F. Factory installed and wired.

Approval of this drawing signifies that the equipment is acceptable under the provision of the job specifications. Any change made hereon by any person whomsoever subject to acceptance by NATIONAL REFRIGERATION at its home office.



**NATIONAL REFRIGERATION AND AIR CONDITIONING CANADA CORP.**

159 ROY BLVD, PO BOX 2020  
BRANTFORD, ON  
CANADA N3T 5Y6

Order Item No: 3  
**BLP209MA-S1D**  
**LOW PROFILE**  
**EVAPORATOR**

NATIONAL REFRIGERATION will furnish equipment in accordance with this drawing and specifications, and subject to its published warranty. Approval of this drawing signifies that the equipment is acceptable under the provision of the job specifications. Any change made hereon by any person whomsoever subject to acceptance by NATIONAL REFRIGERATION at its home office.

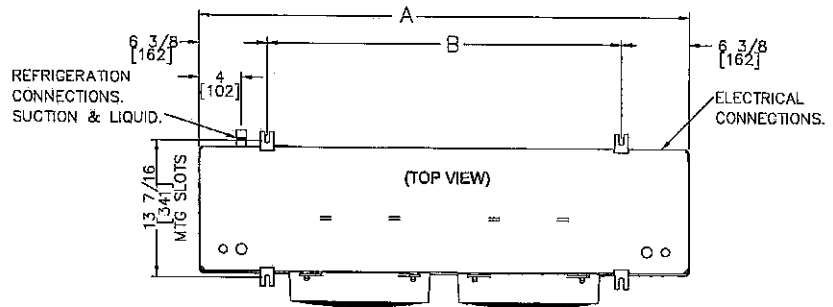
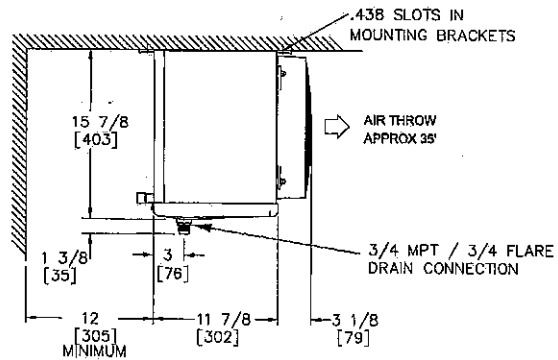
DATE : 11 Oct 2022  
PURCHASER :  
PROJECT : South Middle School Lancaster SC  
SUBMITTED BY : Laura Craig

Dimensions shown are for standard unit less options.

DIMENSIONS	
DIMENSION A	46 1/4 in
DIMENSION B	33 1/4 in
DIMENSION C	
DIMENSION D	
DIMENSION E	
DIMENSION F	
DIMENSION G	0 in
DIMENSION H	

CONNECTIONS	
DISTRIBUTOR	3/8 in
SUCTION	7/8 in
DRAIN	3/4 in
WATER	
DISCHARGE	
PAN LOOP	
HOT GAS SIDE PORT	
HOT GAS INLET	
HOT GAS OUTLET	
OTHER	
SHIPPING WEIGHT	70 lb
REFRIGERANT CHARGE	1 lb
RECEIVER CAPACITY	

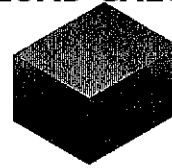
APPROVALS			



NOTES:



## Freezer LOAD CALCULATION



COOLING REQUIREMENTS									
Application	General Walk-in Freezer				Location	Indoor			
Internal Temp	-10 °F	Internal RH	95%		External Temp	85 °F	External RH	55%	
Wall Load	1,963 BTUH	Infiltration	2,063 BTUH		Products	175 BTUH	Miscellaneous	767 BTUH	
	40%		42%			4%		15%	
WALL, FLOOR AND CEILING LOADS									
Section	Construction	Thickness (in)	K Factor	R Value	Ext Temp (°F)	Dim 1 (ft)	Dim 2 (ft)	Area (ft²)	Load (BTUH)
Rear	Urethane, Standard panels	4.000	0.14	28.57	35.0	11.70	8.50	99	157
Right End	Urethane, Standard panels	4.000	0.14	28.57	85.0	9.80	8.50	64	212
	Door			15.00	85.0	3.00	6.50	20	123
Front	Urethane, Standard panels	4.000	0.14	28.57	85.0	11.70	8.50	99	331
Left End	Urethane, Standard panels	4.000	0.14	28.57	85.0	9.80	8.50	83	277
Floor	Insulated Floor - Panels On Concrete On Grade	10.000	0.31	32.32		11.70	9.80	115	482
Ceiling	Urethane, Standard panels	4.000	0.14	28.57	85.0	11.70	9.80	115	381
VOLUME (ft³)		975		TOTAL WALL, FLOOR AND CEILING LOAD				1,963	
INFILTRATION LOAD : ESTIMATED BY VOLUME AND USAGE									
Box Usage	Internal Temp (°F)	Internal Rh (%)	External Temp (°F)	External Rh (%)	Ventilation (CFM)	Load (BTUH)			
Regular	-10	95	85	55		2,063			
PRODUCT LOADS									
Type			Weight (lb)	Enter Temp (°F)	Final Temp (°F)	Pull Down (hrs)	Load (BTUH)		
General, Mixed Products, Approximation			975	0.0	-10.0	24	175		
TOTAL PRODUCT WEIGHT (lbs)			975		TOTAL PRODUCT LOAD			175	
MISCELLANEOUS LOADS									
Quantity	Description			Power	Units	Run Time (hrs)	Load (BTUH)		
	LIGHTING			1	W/ft²	24	391		
2	EVAPORATOR MOTORS			60	W	22	375		
TOTAL MISCELLANEOUS LOAD						767			
SYSTEM DESIGN SUMMARY									
Design Load (BTUH)	Safety Factor	Safety Load (BTUH)	Run Time (Hours)	Capacity Required (BTUH)	Refrigerant	Line Frequency (Hz)	Design TD (°F)	Line Loss (°F)	Condenser Ambient (°F)
4,967	10%	5,464	18	7,285	R448A	60	10	0.5	105
SYSTEM EQUIPMENT SELECTION									
Equipment Type	Quantity	Model Number	Description			Voltage	Rating (BTUH)		
Condensing Unit	1	BEZA025L8-HT3D	EZ-Line Scroll, Condensing Units-Air			208-230/3/60			
Evaporator	1	BLP209LE-S2D	Low Profile, Evaporator			208-230/1/60			
SYSTEM BALANCE									
Fan Load (BTUH)		Suction Temp (°F)		Evaporator TD (°F)		System Capacity (BTUH)			
		-19.4		8.9		8,441			

**NATIONAL REFRIGERATION AND AIR CONDITIONING CANADA CORP.**159 ROY BLVD, PO BOX 2020  
BRANTFORD, ON  
CANADA N3T 5Y6**BEZA025L8-HT3D****EZ-LINE SCROLL  
CONDENSING UNITS-AIR**

PURCHASER :

SUBMITTED BY : **Laura Craig**PROJECT : **South Middle School Lancaster SC**DATE : **11 Oct 2022**ORDER # : **06338.58290.00469-A00**ITEM # : **4**QUOTE # : **Q10EULCB-A**

ID # :

PURCHASER'S PO # :

TAGGING :

**MODEL FEATURES**

- 3/8" Tubing coil construction (reduces refrigerant operating charge)
- Anti-short cycle time delay
- Adjustable pressure fan cycling control on 2 fan models only
- Copper tubing secured with cushion clamps
- Crankcase heater
- Discharge line temperature sensor
- Fan Guard

- Fan motors are inherently protected with internal overloads
- Pre-formed piping
- Receiver with fusible plug and liquid shut off valve
- Suction Service valve
- Adjustable flooded head pressure control (unless otherwise indicated)
- Units are shipped with Helium holding charge

- Weatherproof electrical control box with compressor contactor and fused control circuit
- Welded hermetic Scroll compressor
- Adjustable low pressure control with flex hose / fixed high pressure control
- High efficiency enhanced copper tube and aluminium fin coil design
- Compatible with Low GWP Refrigerants
- Outdoor weatherproof pre-painted steel cabinet

**MODEL OPTIONS ( \* = Shipped Loose )****OPTION PACKAGES**

- 1** Small B (Good@Warm/Moderate)  
 Small N (Better@Warm/Moderate)  
 Small P (Best@Warm/Moderate)  
 Small D (Good@Moderate/Cold)  
 Small J (Better@Moderate/Cold)  
 Small Q (Best@Moderate/Cold)  
 Small K  
 Small H

**ELECTRIC DEFROST KIT**

- 1** DFK-02

**115V Control Circuit**

- ADJUSTABLE PRESSURE CONTROLS**  
 Johnson Dual with flex hose  
 Separate High/Low  
 Separate High/Low: MAN Reset on HP

**BALL VALVE**

- \*Liquid Line  
 Liquid Line  
 \*Suction Line  
 Suction Line

**CAPACITY CONTROL - HOT GAS BYPASS**

- To Inlet of Evaporator  
 To Suction Line

**Compressor Circuit Breaker****CONDENSING UNIT PRISON PACKAGE**

- Tamper Proof Screws  
 Crankcase Pressure Regulator

**CONTACTORS**

- 30A Contactor  
 40A Contactor  
 60A Contactor

**DEFROST KIT****(USE W/KE2 EVAP EFF)**

- Up to 30A per Evap  
 35A to 50A per Evap  
 Over 50A per Evap  
 **Discharge Air Hood**  
 **Discharge Line Check Valve**  
 **Discharge Line Temperature Sensor**  
 **DISCONNECT SWITCH**  
 Fused  
 Non-Fused

**EC FAN MOTORS + SPEED CONTROLLER**

- SmartSpeed  
 **ELECTRONIC PRESSURE CONTROL**  
 Low Pressure Control  
 High Pressure Control

**Export Crating****EXTENDED 4-YEAR COMPRESSOR WARRANTY**

- Copeland  
 **Extended Leg Kit**

**COIL COATING**

- E-Coat

**FIN MATERIAL**

- Gold Coat Fins  
 Copper Fins  
 **Hail Guard for Condenser**  
 **Heated and Insulated Receiver**

**HOUSING MATERIAL**

- Stainless Steel  
 **Insulated Suction Line**

**LIQUID LINE FILTER + SIGHT GLASS**

- 1** Sealed  
 Replaceable  
 **Liquid Line Lock-Out Relay**  
 **LIQUID LINE SOLENOID VALVE**  
 \*Standard 230V Coil  
 \*Standard 115V Coil

**OIL SEPARATOR**

- With Oil Filter and Solenoid  
 **One Time Pump Down**  
 **Oversized Receiver**  
 **PHASE / VOLTAGE MONITOR**

- 3-Lead  
 6-Lead (MotorSaver455)  
 **Pump Down Toggle Switch**  
 **QuickVac Valves**  
 **Receiver Inlet Ball Valve**  
 **Single Point Electrical**  
 **Sub Cooling Circuit**

**SUCTION ACCUMULATOR**

- With Heat Exchanger  
 Without Heat Exchanger

**SUCTION FILTER**

- Sealed Type  
 Replaceable Core

**TIME CLOCK**

- Paragon 8145 Style  
 \*230V Paragon 8145 Style  
 \*115V Paragon 8145 Style

**Wind Guard**

- Less Flooding Valve(s)**

VOLTAGE	SYSTEM REFRIGERANT	RATING	SUCTION TEMP	AMBIENT TEMP	CAPACITY					
208-230/3/60	R448A	2.5Hp	-19.4 °F	105 °F	8441 BTUH					
FANS		COMPRESSOR			CIRCUIT TOTAL					
QTY	POWER	FLA/FAN	TYPE	QTY	RLA	LRA	AMPS	WATTS	MCA†	MOP‡
1	240W	1.1	ZF08K4E-TF5	1	9.6	63	10.7		13.1	20
LIQUID	3/8 in	SOUND	-	REC CAPACITY	14 lb		APPROVALS			
SUCTION	7/8 in	WEIGHT	335 lb	REF CHARGE	6 lb					

**NOTES:**

† MCA.. Minimum Circuit Ampacity, ‡ MOP.. Maximum Overcurrent Protection  
MCA & MOP are for the condensing unit ONLY. Single point connections WILL show different on dataplate.  
AWEF = 3.15 for R404A/R507/407A/R448A/R449A. Non-compliant DOE NRCAN model for all other refrigerants

**APPROVED BY :****DATE :**

Approval of this drawing signifies that the equipment is acceptable under the provision of the job specifications. Any change made hereon by any person whomsoever subject to acceptance by NATIONAL REFRIGERATION at its home office.



**NATIONAL REFRIGERATION AND  
AIR CONDITIONING CANADA CORP.**  
159 ROY BLVD, PO BOX 2020  
BRANTFORD, ON  
CANADA N3T 5Y6

**BEZA025L8-HT3D**

**EZ-LINE SCROLL  
CONDENSING UNITS-AIR**

PURCHASER :

SUBMITTED BY : **Laura Craig**

PROJECT : **South Middle School Lancaster SC**

DATE : **11 Oct 2022**

ORDER # : **06338.58290.00469-A00**

ITEM # : **4**

QUOTE # : **Q10EULCB-A**

ID # :

PURCHASER'S PO # :

TAGGING :

**SELECTED OPTION DESCRIPTIONS**

**Electric Defrost Kit - DFK-02**

Electric Defrost Kit includes:

Mechanical Time Clock:

Time initiated temperature terminated with a timed failsafe.

Contactors:

Three pole definite purpose, 230V or 115V coil as defined by  
the control circuit voltage

HtrCont1x 40A

Fuse Blocks:

1x 30A (2P) Class CC

**Liquid Line Filter + Sight Glass - Sealed**

Sporlan C Series with ODF solder connections and Sporlan SA  
moisture indicator factory installed in liquid line.

**Option Packages - Small B (Good@Warm/Moderate)**

LLFD+SG

Approval of this drawing signifies that the equipment is acceptable under the provision of the job specifications. Any change made hereon by any person whomsoever subject to acceptance by NATIONAL REFRIGERATION at its home office.



**NATIONAL REFRIGERATION AND  
AIR CONDITIONING CANADA CORP.**

159 ROY BLVD, PO BOX 2020  
BRANTFORD, ON  
CANADA N3T 5Y6

Order Item No: 4  
**BEZA025L8-HT3D**  
EZ-LINE SCROLL  
CONDENSING UNITS-AIR

NATIONAL REFRIGERATION will furnish equipment in accordance with this drawing and specifications, and subject to its published warranty. Approval of this drawing signifies that the equipment is acceptable under the provision of the job specifications. Any change made hereon by any person whomsoever subject to acceptance by NATIONAL REFRIGERATION at its home office.

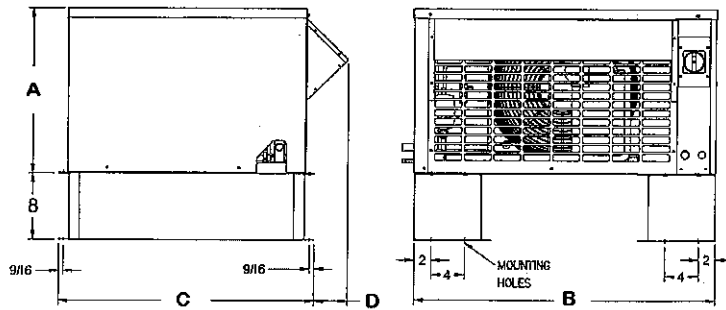
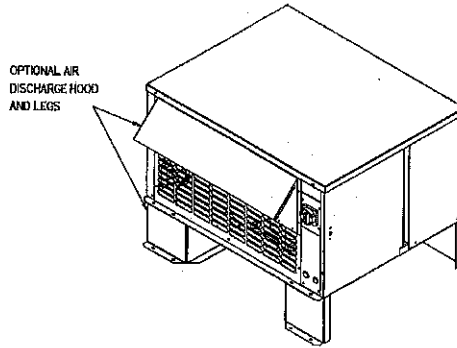
DATE : 11 Oct 2022  
PURCHASER :  
PROJECT : South Middle School Lancaster SC  
SUBMITTED BY : Laura Craig

Dimensions shown are for standard unit less options.

DIMENSIONS	
DIMENSION A	19 7/8 in
DIMENSION B	36 3/8 in
DIMENSION C	30 3/8 in
DIMENSION D	4 in
DIMENSION E	
DIMENSION F	
DIMENSION G	0 in
DIMENSION H	

CONNECTIONS	
LIQUID	3/8 in
SUCTION	7/8 in
DRAIN	
WATER	
DISCHARGE	
PAN LOOP	
HOT GAS SIDE PORT	
HOT GAS INLET	
HOT GAS OUTLET	
OTHER	
SHIPPING WEIGHT	335 lb
REFRIGERANT CHARGE	6 lb
RECEIVER CAPACITY	14 lb

APPROVALS			



NOTES:

AWEF = 3.15 for R404A/R507/407A/R448A/R449A. Non-compliant DOE NRCAN model for all other refrigerants





**NATIONAL REFRIGERATION AND AIR CONDITIONING CANADA CORP.**  
 159 ROY BLVD, PO BOX 2020  
 BRANTFORD, ON  
 CANADA N3T 5Y6

**BLP209LE-S2D**

**LOW PROFILE EVAPORATOR**

PURCHASER : SUBMITTED BY : **Laura Craig**  
 PROJECT : **South Middle School Lancaster SC** DATE : **11 Oct 2022**  
 ORDER # : **06338.58290.00469-A00** ITEM # : **5**  
 QUOTE # : **Q10EULCB-A** ID # :  
 PURCHASER'S PO # : TAGGING :

**MODEL FEATURES**

- 3/8" Tubing coil construction (reduces refrigerant operating charge)
- Factory installed solenoid valve wire harness
- Heavy gauge textured aluminum cabinet construction resists scratches/corrosion
- Spacious piping end compartment allows for easy assembly

- Hinged drain pan with central universal drain connection (3/4" drain)
- Front access to spacious electrical and header compartments
- Schrader connection on suction header
- Attractive and durable high density polyethylene fan guards

- Ultra efficient Electronically Commutated Motor (ECM)
- ECM with SmartSpeed Technology
- High efficiency enhanced copper tube and aluminium fin coil design
- 6 FPI
- Unit Cooler is AWEF/NRCAN compliant with R404A/R507/R448A/R449A/R407A

**MODEL OPTIONS ( \* = Shipped Loose )**

- PRE-ASSEMBLED EVAP**
- SmartVap+ with EEV + Solvly Sporlan TXV, LLSV,T-stat
- KE2 Evap Efficiency w/Sporlan TXV
- KE2 Evap Efficiency w/Sporlan EEV
- \*KE2 Evap Efficiency w/Sporlan TXV
- \*KE2 Evap Efficiency w/Sporlan EEV
- Aux Sideport Connector**
- CABINET FINISH**
- Painted White
- Stainless Steel
- SENSORS FOR CPC BOARDS**
- Coil Temp Sensor
- Return Air Temp Sensor
- DEMAND DEFROST ELECTRONIC CONTROLLER**
- KE2 Adaptive Control
- \*KE2 Adaptive Control
- KE2 Therm Evaporator Efficiency
- \*KE2 Therm Evaporator Efficiency
- Dual Circuit**

- ELECTRONIC CONTROLLER**
- SmartVap+ Control Board and Display
- EXPANSION VALVE**
- Sporlan TXV
- Sporlan EEV
- EEV for SmartVap+
- EVAPORATOR PRISON PACKAGE**
- Tamper Proof Screws
- Export Crating**
- COIL COATING**
- E-Coat
- FIN MATERIAL**
- Gold Coat Fins
- Copper Fins
- Insulated Drain Pan**
- KE2 THERM**
- \*CAT5e Shielded Cable - 50ft w/connectors
- 40' Leads on Sensors + Transducers
- Ethernet Adapter Kit
- \*Remote Combo Display
- \*Liquid / Suction Heat Exchanger

- LIQUID LINE SOLENOID VALVE**
- Sporlan
- Dual Voltage Coil 120-230V Field Wired**
- Nitrogen Charged and Sealed ROOM THERMOSTATS**
- Mechanical
- \*Mechanical
- \*Johnson A19ABC
- \*Johnson A421ABC-02C
- Johnson A421ABC-02
- Wire Fan Guards**
- REMOTE DEFROST PANEL**
- \*230V Control
- \*115V Control
- INSTALLATION REQUIREMENTS**
- Minimum slope of 1" per foot on all drain lines
- P-trap per evap required outside of box
- Insulated drain line requires heat - 20W/ft

VOLTAGE		SYSTEM REFRIGERANT		AIR FLOW		EVAP. TEMP		BOX TEMP		CAPACITY	
208-230/1/60		R448A		1410 CFM		-18.9 °F		-10 °F		8441 BTUH	
FANS			HEATERS			CIRCUIT TOTAL					
QTY	POWER	FLA/FAN	TYPE	QTY	AMPS	AMPS	WATTS	MCA†	MOP‡		
2	0.07HP	0.6				1.2	120	1.4	15		
DEFROST HTRS				8.2		1890		10.3		15	
DISTRIBUTOR	3/8 in	SOUND	-	REC CAPACITY			APPROVALS				
SUCTION	7/8 in	WEIGHT	80 lb	REF CHARGE	2 lb						
NOTES:											
† MCA.. Minimum Circuit Ampacity, ‡ MOP.. Maximum Overcurrent Protection											

**APPROVED BY :** \_\_\_\_\_ **DATE :** \_\_\_\_\_

Approval of this drawing signifies that the equipment is acceptable under the provision of the job specifications. Any change made hereon by any person whomsoever subject to acceptance by NATIONAL REFRIGERATION at its home office.



**NATIONAL REFRIGERATION AND  
AIR CONDITIONING CANADA CORP.**

159 ROY BLVD, PO BOX 2020  
BRANTFORD, ON  
CANADA N3T 5Y6

**BLP209LE-S2D**

**LOW PROFILE  
EVAPORATOR**

PURCHASER :

SUBMITTED BY : **Laura Craig**

PROJECT : **South Middle School Lancaster SC**

DATE : **11 Oct 2022**

ORDER # : **06338.58290.00469-A00**

ITEM # : **5**

QUOTE # : **Q10EULCB-A**

ID # :

PURCHASER'S PO # :

TAGGING :

**SELECTED OPTION DESCRIPTIONS**

**Expansion Valve - Sporlan TXV**

May be Type EBQ, S, SBF, O externally equalized thermostatic expansion valve. Valves are selected using the specified capacity and operating conditions of the refrigeration system as specified on the accompanying Certified Prints.

**Installation Requirements - Insulated drain line  
requires heat - 20W/ft**

Freezer condensate drain lines must be insulated and heated with a minimum of 20 watts per foot.

**Installation Requirements - Minimum slope of 1" per  
foot on all drain lines**

Bally recommends a minimum slope of 1" per foot on all drain lines.

**Installation Requirements - P-trap per evap required  
outside of box**

All evaporators must be trapped individually outside of the box to prevent vapor migration back to coil surface.

**Liquid Line Solenoid Valve - Sporlan**

Sporlan solenoid coil voltage matches evaporator voltage except when evaporator is 460V, then 230V solenoid coil is used. Exceptions must be clearly explained in the Notes of the option.

**Pre-assembled Evap - Sporlan TXV, LLSV, T-stat**

Option Package consists of factory installed Sporlan balance port TXV, Sporlan liquid line solenoid valve and Johnson Controls A19 Room thermostat.

**Room Thermostats - Mechanical**

Single stage temperature control with Single-Pole, Double-Throw (SPDT) mechanical switch. May be Johnson A19 or equal, Operating range of -30°F to +100°F. Adjustable differential of 3°F to 12°F. Factory installed and wired.

Approval of this drawing signifies that the equipment is acceptable under the provision of the job specifications. Any change made hereon by any person whomsoever subject to acceptance by NATIONAL REFRIGERATION at its home office.



**NATIONAL REFRIGERATION AND AIR CONDITIONING CANADA CORP.**  
 159 ROY BLVD, PO BOX 2020  
 BRANTFORD, ON  
 CANADA N3T 5Y6

**Order Item No: 5**  
**BLP209LE-S2D**  
**LOW PROFILE**  
**EVAPORATOR**

NATIONAL REFRIGERATION will furnish equipment in accordance with this drawing and specifications, and subject to its published warranty. Approval of this drawing signifies that the equipment is acceptable under the provision of the job specifications. Any change made hereon by any person whomsoever subject to acceptance by NATIONAL REFRIGERATION at its home office.

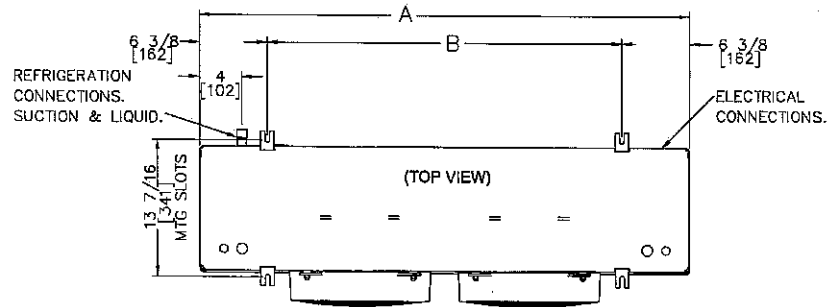
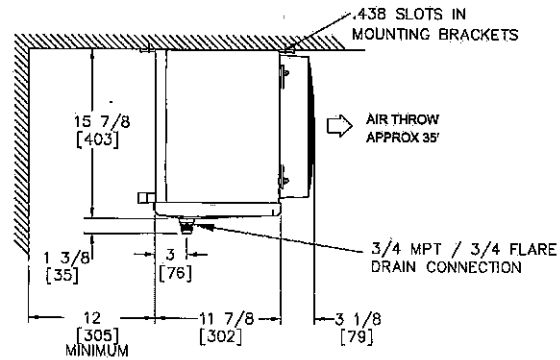
**DATE : 11 Oct 2022**  
**PURCHASER :**  
**PROJECT : South Middle School Lancaster SC**  
**SUBMITTED BY : Laura Craig**

Dimensions shown are for standard unit less options.

DIMENSIONS	
DIMENSION A	46 1/4 in
DIMENSION B	33 1/4 in
DIMENSION C	
DIMENSION D	
DIMENSION E	
DIMENSION F	
DIMENSION G	0 in
DIMENSION H	

CONNECTIONS	
DISTRIBUTOR	3/8 in
SUCTION	7/8 in
DRAIN	3/4 in
WATER	
DISCHARGE	
PAN LOOP	
HOT GAS SIDE PORT	
HOT GAS INLET	
HOT GAS OUTLET	
OTHER	
SHIPPING WEIGHT	80 lb
REFRIGERANT CHARGE	2 lb
RECEIVER CAPACITY	

APPROVALS			



NOTES:





# Specifications

## SWANSON-GIRARD

CULINARY SOLUTIONS

Project  
South Middle School

From  
Swanson-Girard & Assoc.  
Becky Jersey  
10420 Southern Loop Blvd.  
Pineville, NC 28134  
(704)521-8811  
(888)521-0778 0000 (Contact)  
(704)521-8801 (Fax)  
bjersey@swanson-girard.com

---

**ITEM Combo SHELVING, WITH METAL FRAME (4 REQ'D)**

**Cooler -**

**Metro Model PR2448NK3 Dimensions: 48(w) x 24(d)**

Super Erecta Pro™ Shelf, 48"W x 24"D, removable polymer shelf mat, Metroseal 3™ epoxy-coated frame, built-in Microban product protection, split sleeves, attaches to Super Erecta® round posts, NSF

- 8 ea Model PR2460NK3 Super Erecta Pro™ Shelf, 60"W x 24"D, removable polymer shelf mat, Metroseal 3™ epoxy-coated frame, built-in Microban product protection, split sleeves, attaches to Super Erecta® round posts, NSF
- 12 ea Model PR2442NK3 Super Erecta Pro™ Shelf, 42"W x 24"D, removable polymer shelf mat, Metroseal 3™ epoxy-coated frame, built-in Microban product protection, split sleeves,

- attaches to Super Erecta® round posts, NSF
- 24 ea Model 74PK3 Super Erecta® SiteSelect™ Post, 74-1/2"H, adjustable leveling bolt, posts are grooved at 1" increments & numbered at 2" increments, double grooved every 8", Metroseal 3 Green epoxy coated corrosion-resistant finish with Microban® antimicrobial protection
  - 1 ea Model HP2236PD Metro Bow-Tie™ Dunnage Rack, 22" x 36" x 12"H, slotted, with separate polymer tie for joining racks, corrosion proof polymer construction, NSF

**ITEM Combo SHELIVING, WITH METAL FRAME (4 REQ'D)**

**Freezer -**

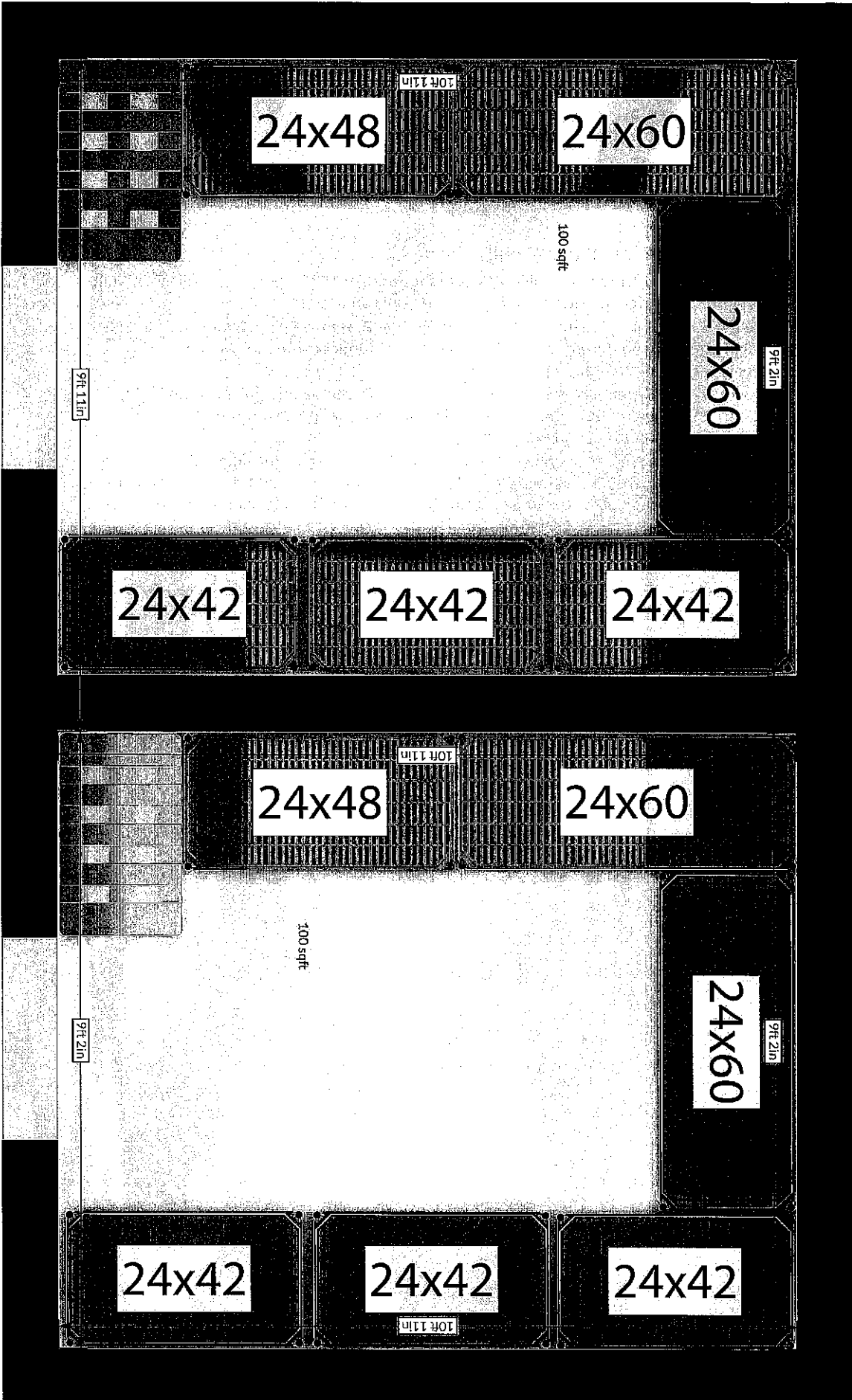
**Metro Model PR2448NK3 Dimensions: 48(w) x 24(d)**

Super Erecta Pro™ Shelf, 48"W x 24"D, removable polymer shelf mat, Metroseal 3™ epoxy-coated frame, built-in Microban product protection, split sleeves, attaches to Super Erecta® round posts, NSF

- 8 ea Model PR2460NK3 Super Erecta Pro™ Shelf, 60"W x 24"D, removable polymer shelf mat, Metroseal 3™ epoxy-coated frame, built-in Microban product protection, split sleeves, attaches to Super Erecta® round posts, NSF
- 12 ea Model PR2442NK3 Super Erecta Pro™ Shelf, 42"W x 24"D, removable polymer shelf mat, Metroseal 3™ epoxy-coated frame, built-in Microban product protection, split sleeves, attaches to Super Erecta® round posts, NSF
- 24 ea Model 74PK3 Super Erecta® SiteSelect™ Post, 74-1/2"H, adjustable leveling bolt, posts are grooved at 1" increments & numbered at 2" increments, double grooved every 8", Metroseal 3 Green epoxy coated corrosion-resistant finish with Microban® antimicrobial protection
- 1 ea Model HP2236PD Metro Bow-Tie™ Dunnage Rack, 22" x 36" x 12"H, slotted, with separate polymer tie for joining racks, corrosion proof polymer construction, NSF



Attachment E-4 Combo Cooler Freezer





**Bally Refrigerated Boxes, Inc.**  
**Morehead City, NC 28557 (800) 242-2559**

**Last Update:** 10/12/2022  
**Revisor:** Laura Craig  
**To:** All Bidders

**Quote No:** 2751-002-R03-LC  
**Item No:**  
**Job Name:** South Middle School  
**Date:** 10/12/2022 **PVD:** 10/3/2022  
**From:** Laura Craig  
 Swanson-Girard & Associates  
 10420 Southern Loop Blvd  
 Pineville, NC 28134

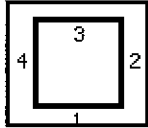
**Attn:**

**Phone:** **Fax:** (704)521-8801

**Box Shape**

**Indoor Structure**

**NSF APPROVED**



**Bally Prefabricated Exterior Dimensions:**

9'-8"(l) x 6'-9½"(w) x 7'-6"(h)  
 1 Compartments 1 Tiers With Floor 4" Floor  
 Ceiling: Single Span

**Panel Thickness:**

4 in. Exterior Vertical Used (6'-10") with 4 in. Floor, 4 in. Ceiling

**Details on Following Page(s)**

**NOTE:** Freight shown is an estimate based on current published rates. A fuel surcharge will be added and changes continuously.

**Walk-in Price:**

**Refrigeration Price:**

**Total Price (FOB Plant)** (Less Refrig. Warranties):

**Estimated Freight:**

**Optional Warranties:** (not included in Total Price)

(1) 00 1/2 HP System (5 yr. Parts , 1 yr. Labor)

**Payment terms and conditions are available upon request.**

*This quotation was based on information supplied to us which may or may not have been complete. Customer is responsible for reviewing this quotation for exclusions, deviations, and any improper information supplied to us.*

**Signature:** \_\_\_\_\_

Laura Craig

**Date:** \_\_\_\_\_

*We are not responsible for the selection or recommendation of the panel finish for any building or walk-in application.*

**NOTE: Quoting Bally standard specifications, sizes, and finishes.**

**This quotation is good through 11/26/2022**

**Act of 2007 (Public Law 110-140) Title III; Section 312, regarding Walk-In Coolers and Walk-In Freezers.**





**Bally Refrigerated Boxes, Inc.**  
**Morehead City, NC 28557 (800) 242-2559**

**Last Update:** 10/12/2022  
**Revisor:** Laura Craig  
**To:** All Bidders

**Quote No:** 2751-002-R03-LC  
**Item No:**  
**Job Name:** South Middle School  
**Date:** 10/12/2022 **PVD:** 10/3/2022  
**From:** Laura Craig  
 Swanson-Girard & Associates  
 10420 Southern Loop Blvd  
 Pineville, NC 28134  
**Phone:** **Fax:** (704)521-8801

**Attn:**

**Indoor Structure**

**NSF APPROVED**

***Bally Prefabricated Exterior Dimensions:***

9'-8"(l) x 6'-9½"(w) x 7'-6"(h)  
 1 Compartments 1 Tiers With Floor 4" Floor  
 Ceiling: Single Span

***Panel Thickness:***

4 in. Exterior Vertical Used (6'-10") with 4 in. Floor, 4 in. Ceiling

***Details and specifications for Quote No:*** 2751-002-R03-LC

***Comments:***

***Base Finish***

Vertical and Ceiling Panels: Embossed Galvalume (26 GA)

***Special Finishes:***

Interior Floor - Aluminum Treadplate .125" Thick

***Doors/Openings:***

Wall 2 Door 1 (1) 36" x 78" Hinged Door In a 46"  
 Wall 2 Door 1 (1) Super Door 36" Wide and Under, 30" High

***Accessories and Extras:***

(1) 48" LED KEIL 48x754-CL-N Light  
 - 40° F to 100° F(Range)  
 (1) To be installed in 4" Depression Below Finished Floor

***Floor Options:***

(70) S/F 1/2" Plywood Foamed in Panel

***Refrigeration:***

(1) BEHA-006-M8-HS2D 208-230/1/60  
 R448A & R404A - 6200 BTU/h  
 (1) BLP107-MA-S1D 115/1/60  
 1 Fan 7000 BTU/h  
 (1) Refrigeration is calculated for standard use at a box temperature of  
 35° F. with a condensing unit ambient of 105° F.  
 (1) The refrigeration is calculated for a line run of less than 50'  
 (1) Time Clock 8145 (shipped loose) 115/1/60

***Estimated Shipping:***

Weight: 2,222.42

Destination: Lancaster, SC, 29720



**Bally Refrigerated Boxes, Inc.**  
**Morehead City, NC 28557 (800) 242-2559**

**Last Update:** 10/12/2022  
**Revisor:** Laura Craig  
**To:** All Bidders

**Quote No:** 2751-002-R03-LC  
**Item No:**  
**Job Name:** South Middle School  
**Date:** 10/12/2022 **PVD:** 10/3/2022  
**From:** Laura Craig  
 Swanson-Girard & Associates  
 10420 Southern Loop Blvd  
 Pineville, NC 28134

**Phone:** **Fax:** (704)521-8801

**Deviations (Alternates, Remarks, Clarifications, Etc.):**

Bally Floor Panels are capable of supporting up to 800 lbs. Per Sq/Ft uniformly distributed stationary loading. Bally does not recommend the use rolling loads of heavy carts, pallet jacks or fork lifts on top of the floors. Warranty for floors subjected to this type of use would not be covered by Bally.

**Exclusions (Items Not Supplied by Bally):**

- |   |  |
|---|--|
| <input checked="" type="checkbox"/> Shelving, Racks, Interior Accessories | <input checked="" type="checkbox"/> Caulking and Sealants                    |
| <input type="checkbox"/> Labor on Warranties                              | <input type="checkbox"/> Refrigeration Systems                               |
| <input checked="" type="checkbox"/> Alarm Systems                         | <input checked="" type="checkbox"/> Refrigeration Accessories                |
| <input checked="" type="checkbox"/> Supervision                           | <input checked="" type="checkbox"/> Closure Panel and Trim                   |
| <input checked="" type="checkbox"/> Tubing, Wiring for Rfg. Equipment     | <input checked="" type="checkbox"/> Sleeves, Penetrations, Escutcheon Plates |
| <input checked="" type="checkbox"/> Compressor Rack                       | <input checked="" type="checkbox"/> Floor Insulation and Vapor Barrier       |

**Cancelled Orders:** Cancelled unshipped standard walk-ins will be charged a 30% restocking fee plus the cost of special panels. Cancelled refrigeration systems will be charged a 30% restocking fee and the cost of any freight accrued. Buy-out items will be charged a 25% restocking fee plus any freight accrued.

**Agency Ratings:** Bally units comply or surpass applicable Flame Spread-25, UL, UL 723, & NSF standards in a manner conforming to ASTM E-84, and Factory Mutual standards.

**Quotation Limitations:** This quotation was based upon the specifications given to Bally which may possibly be incomplete. Bally is not responsible for items missing from the quotation due to incomplete or excluded items in the specifications received from the customer. The customer is responsible for reviewing the quotation for omissions or deviations from the specifications given to Bally. All portions of the quotation are subject to revision upon receipt of detailed specifications or if changes are made following the delivery of the original quotation. Quotations expire on the date indicated on Page 1 of the Quote. Approval drawings must be returned within 60 days of receipt of the purchase order. The order must ship within the agreed upon time frames or current lead times, but no later than 7 months. Any deviations to this quotation (dimensions or specification changes) will require updated pricing.

**Panel Construction:** Bally Panels are manufactured with environmentally friendly HFC 245-FA polyurethane foam. This polyurethane foam offers the highest thermal insulation value and the most energy efficiency per cubic inch in comparison to similar foams. It has a zero Ozone Depletion Potential (ODP) and a low Global Warming Potential (GWP). It is not considered a Volatile Organic Compound (VOC) in the US. Standard 4" Bally panels meet the 2009 Federal Energy Standards.

**Refrigerants:** Unless otherwise specified, refrigeration systems are quoted with environmentally friendly HFO R448A refrigerant. It has a Low Global Warming Potential (GWP) and the EPA lists it as an acceptable substitute for R404A and other high GWP refrigerants.

**Automatic Door Closers:** Bally includes automatic door closers and spring loaded hinges on all doors 42" wide and smaller as a standard feature with no additional charge that meet the 2009 Federal Energy Standards.

**Motors:** Bally units are quoted with EC and PSC motors in compliance with federal energy standards, for increased energy savings.

**Lighting:** Bally units are quoted with lighting in compliance with federal Energy Standards for increased energy savings.

**Optional Features:** Bally offers additional optional energy-saving features such as Walk-In Alarm & Light Management systems that comply or surpass the 2009 Federal energy regulations.



**Bally Refrigerated Boxes, Inc.**  
**Morehead City, NC 28557 (800) 242-2559**

*Last Update:* 10/12/2022  
*Revisor:* Laura Craig  
*To:* All Bidders

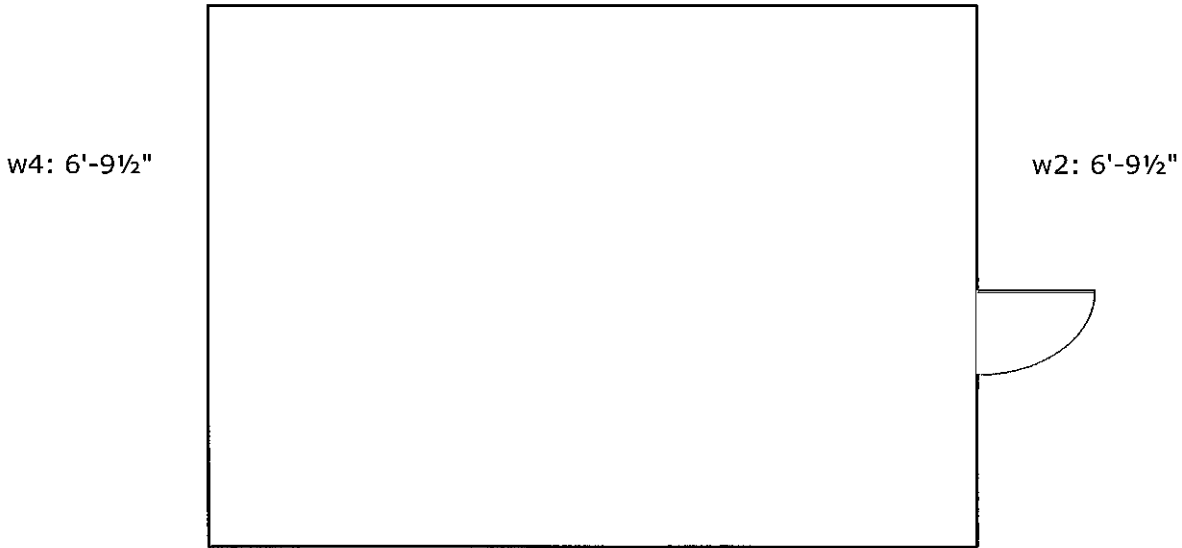
*Quote No:* 2751-002-R03-LC  
*Item No:*  
*Job Name:* South Middle School  
*Date:* 10/12/2022 *PVD:* 10/3/2022  
*From:* Laura Craig  
 Swanson-Girard & Associates  
 10420 Southern Loop Blvd  
 Pineville, NC 28134

*Attn:*

*Phone:* *Fax:* (704)521-8801

This drawing is for reference purposes only and it not intended to be a formal scale model.

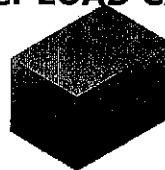
w3: 9'-8"



w1: 9'-8"

DOOR 1: Wall2 36" x 78" Hinged Door In a 46" Centered Hinge:Right Orientaion:Regular

## Single Cooler LOAD CALCULATION



COOLING REQUIREMENTS									
Application	General Walk-in Cooler			Location	Indoor				
Internal Temp	35 °F	Internal RH	84%	External Temp	85 °F	External RH	55%		
Wall Load	750 BTUH	Infiltration	1,491 BTUH	Products	322 BTUH	Miscellaneous	433 BTUH		
	25%		50%		11%		14%		
WALL, FLOOR AND CEILING LOADS									
Section	Construction	Thickness (in)	K Factor	R Value	Ext Temp (°F)	Dim 1 (ft)	Dim 2 (ft)	Area (ft²)	Load (BTUH)
Rear	Urethane, Standard panels	4.000	0.14	28.57	85.0	9.70	7.50	73	127
Right End	Urethane, Standard panels	4.000	0.14	28.57	85.0	6.90	7.50	32	56
	Door			15.00	85.0	3.00	6.50	20	65
Front	Urethane, Standard panels	4.000	0.14	28.57	85.0	9.70	7.50	73	127
Left End	Urethane, Standard panels	4.000	0.14	28.57	85.0	6.90	7.50	52	91
Floor	Insulated Floor - Panels On Concrete On Grade	10.000	0.31	32.32		9.70	6.90	67	166
Ceiling	Urethane, Standard panels	4.000	0.14	28.57	85.0	9.70	6.90	67	117
<b>VOLUME (ft³)</b>		<b>502</b>	<b>TOTAL WALL, FLOOR AND CEILING LOAD</b>					<b>750</b>	
INFILTRATION LOAD - ESTIMATED BY VOLUME AND USAGE									
Box Usage	Internal Temp (°F)	Internal Rh (%)	External Temp (°F)	External Rh (%)	Ventilation (CFM)	Load (BTUH)			
Heavy	35	84	85	55		1,491			
PRODUCT LOADS									
Type			Weight (lb)	Enter Temp (°F)	Final Temp (°F)	Pull Down (hrs)	Load (BTUH)		
General, Mixed Products, Approximation			1,004	45.0	35.0	24	322		
<b>TOTAL PRODUCT WEIGHT (lbs)</b>			<b>1,004</b>	<b>TOTAL PRODUCT LOAD</b>			<b>322</b>		
MISCELLANEOUS LOADS									
Quantity	Description			Power	Units	Run Time (hrs)	Load (BTUH)		
	LIGHTING			1	W/ft²	24	228		
1	EVAPORATOR MOTORS			60	W	24	205		
<b>TOTAL MISCELLANEOUS LOAD</b>							<b>433</b>		
SYSTEM DESIGN SUMMARY									
Design Load (BTUH)	Safety Factor	Safety Load (BTUH)	Run Time (Hours)	Capacity Required (BTUH)	Refrigerant	Line Frequency (Hz)	Design TD (°F)	Line Loss (°F)	Condenser Ambient (°F)
2,996	10%	3,296	16	4,944	R448A	60	10.1	0.5	105
SYSTEM EQUIPMENT SELECTION									
Equipment Type	Quantity	Model Number	Description			Voltage	Rating (BTUH)		
Condensing Unit	1	BEHA006M8-HS2D	EH-Line Hermetic, Condensing Units-Air			208-230/1/60			
Evaporator	1	BLP107MA-S1D	Low Profile, Evaporator			115/1/60			
SYSTEM BALANCE									
Fan Load (BTUH)	Suction Temp (°F)		Evaporator TD (°F)		System Capacity (BTUH)				
	26.5		8		5,610				



**NATIONAL REFRIGERATION AND AIR CONDITIONING CANADA CORP.**

159 ROY BLVD, PO BOX 2020  
BRANTFORD, ON  
CANADA N3T 5Y6

**BEHA006M8-HS2D**

**EH-LINE HERMETIC CONDENSING UNITS-AIR**

PURCHASER :

SUBMITTED BY : **Laura Craig**

PROJECT : **South Middle School Lancaster SC**

DATE : **11 Oct 2022**

ORDER # : **06338.58290.00469-A00**

ITEM # : **6**

QUOTE # : **Q10EULCB-A**

ID # :

PURCHASER'S PO # :

TAGGING :

**MODEL FEATURES**

- Copper tubing secured with cushion clamps
- Crankcase heater
- High efficiency PSC fan motor with internal overload protection
- Outdoor weather-resistant housing made from G90 galvanized steel
- Pre-formed piping
- Receiver with fusible plug and liquid shut off valve

- Suction Service valve
- Adjustable flooded head pressure control (unless otherwise indicated)
- Units are shipped with Helium holding charge
- Weatherproof electrical control box with compressor contactor and fused control circuit

- Adjustable low pressure control with flex hose / fixed high pressure control
- ECM with SmartSpeed Technology
- High efficiency enhanced copper tube and aluminium fin coil design
- Outdoor weatherproof pre-painted steel cabinet
- AWEF = 7.6 FOR  
R404A/R507/R448A/R449A ONLY

**OPTION PACKAGES**

- 1** Small B (Good@Warm/Moderate)
- Small N (Better@Warm/Moderate)
- Small P (Best@Warm/Moderate)
- Small D (Good@Moderate/Cold)
- Small J (Better@Moderate/Cold)
- Small Q (Best@Moderate/Cold)
- Small K
- Small H
- 115V Control Circuit**
- ADJUSTABLE PRESSURE CONTROLS**
- Johnson Dual with flex hose
- Separate High/Low
- BALL VALVE**
- \*Liquid Line
- \*Suction Line
- CAPACITY CONTROL - HOT GAS BYPASS**
- To Inlet of Evaporator
- To Suction Line
- Compressor Circuit Breaker**
- Compressor Time Delay Relay**
- CONDENSING UNIT PRISON PACKAGE**
- Tamper Proof Screws
- Crankcase Pressure Regulator**
- Discharge Air Hood**
- DISCONNECT SWITCH**
- Fused

**MODEL OPTIONS ( \* = Shipped Loose )**

- DISCONNECT SWITCH Continued**
- Non-Fused
- EC FAN MOTORS + SPEED CONTROLLER**
- All Motors Variable Speed - 230V Units
- Export Crating**
- EXTENDED 4-YEAR COMPRESSOR WARRANTY**
- Copeland
- Extended Leg Kit**
- COIL COATING**
- E-Coat
- FIN MATERIAL**
- Gold Coat Fins
- Copper Fins
- Hail Guard for Condenser**
- Heated and Insulated Receiver**
- HOUSING MATERIAL**
- Stainless Steel
- Insulated Suction Line**
- LIQUID LINE FILTER + SIGHT GLASS**
- 1** Sealed
- Liquid Line Lock-Out Relay**
- LIQUID LINE SOLENOID VALVE**
- \*Standard 230V Coil
- \*Standard 115V Coil
- Oversized Receiver**

- Pump Down Toggle Switch**
- QuickVac Valves**
- Receiver Inlet Ball Valve**
- Single Point Electrical SUCTION ACCUMULATOR**
- With Heat Exchanger
- Without Heat Exchanger
- SUCTION FILTER**
- Sealed Type
- TIME CLOCK**
- Paragon 8145 Style
- \*230V Paragon 8145 Style
- 1** \*115V Paragon 8145 Style
- Wind Guard**
- Less Flooding Valve(s)**

VOLTAGE		SYSTEM REFRIGERANT			RATING	SUCTION TEMP	AMBIENT TEMP	CAPACITY	
208-230/1/60		R448A			0.6Hp	26.5 °F	105 °F	5610 BTUH	
FANS			COMPRESSOR			CIRCUIT TOTAL			
QTY	POWER	FLA/FAN	TYPE	QTY	RLA	LRA	AMPS	MCA†	MOP‡
1	100W	1	RST45C2E-CFV	1	4.4	30	5.4	6.5	15
LIQUID	3/8 in	SOUND	-	REC CAPACITY	5 lb		APPROVALS		
SUCTION	5/8 in	WEIGHT	149 lb	REF CHARGE	3 lb				

**NOTES:**

† MCA.. Minimum Circuit Ampacity, ‡ MOP.. Maximum Overcurrent Protection  
MCA & MOP are for the condensing unit ONLY. Single point connections WILL show different on dataplate.



**APPROVED BY :**

**DATE :**

Approval of this drawing signifies that the equipment is acceptable under the provision of the job specifications. Any change made hereon by any person whomsoever subject to acceptance by NATIONAL REFRIGERATION at its home office.



**NATIONAL REFRIGERATION AND  
AIR CONDITIONING CANADA CORP.**

159 ROY BLVD, PO BOX 2020  
BRANTFORD, ON  
CANADA N3T 5Y6

**BEHA006M8-HS2D**

**EH-LINE HERMETIC  
CONDENSING UNITS-AIR**

PURCHASER :

SUBMITTED BY : **Laura Craig**

PROJECT : **South Middle School Lancaster SC**

DATE : **11 Oct 2022**

ORDER # : **06338.58290.00469-A00**

ITEM # : **6**

QUOTE # : **Q10EULCB-A**

ID # :

PURCHASER'S PO # :

TAGGING :

**SELECTED OPTION DESCRIPTIONS**

**Liquid Line Filter + Sight Glass - Sealed**

Sporlan C Series with ODF solder connections and Sporlan SA moisture indicator factory installed in liquid line.

**Option Packages - Small B (Good@Warm/Moderate)**

LLFD+SG

**Time Clock - 115V Paragon 8145 Style**

115V Defrost timer is time initiated, temperature or pressure terminated with a timed failsafe. Timer is shipped loose in a box for field installation.

Approval of this drawing signifies that the equipment is acceptable under the provision of the job specifications. Any change made hereon by any person whomsoever subject to acceptance by NATIONAL REFRIGERATION at its home office.



**NATIONAL REFRIGERATION AND  
AIR CONDITIONING CANADA CORP.**  
159 ROY BLVD, PO BOX 2020  
BRANTFORD, ON  
CANADA N3T 5Y6

Order Item No: 6  
**BEHA006M8-HS2D**  
**EH-LINE HERMETIC  
CONDENSING UNITS-AIR**

NATIONAL REFRIGERATION will furnish equipment in accordance with this drawing and specifications, and subject to its published warranty. Approval of this drawing signifies that the equipment is acceptable under the provision of the job specifications. Any change made hereon by any person whomsoever subject to acceptance by NATIONAL REFRIGERATION at its home office.

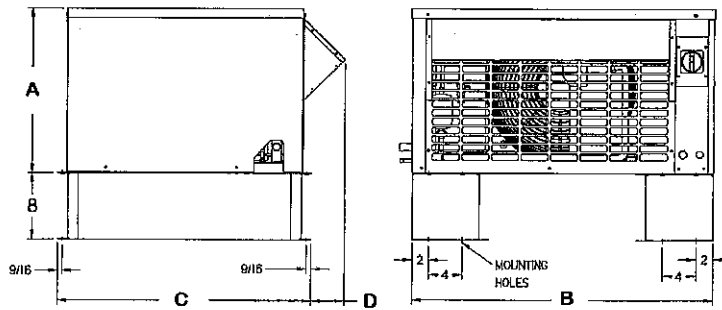
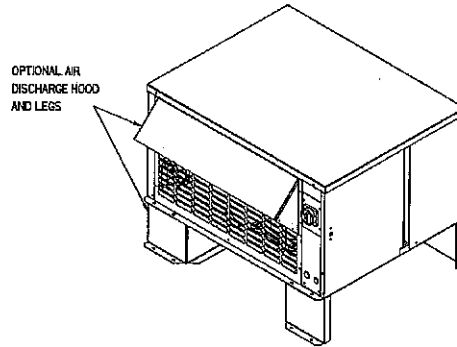
DATE : 11 Oct 2022  
PURCHASER :  
PROJECT : South Middle School Lancaster SC  
SUBMITTED BY : Laura Craig

Dimensions shown are for standard unit less options.

DIMENSIONS	
DIMENSION A	19 3/8 in
DIMENSION B	24 7/8 in
DIMENSION C	30 3/8 in
DIMENSION D	4 in
DIMENSION E	
DIMENSION F	
DIMENSION G	0 in
DIMENSION H	

CONNECTIONS	
LIQUID	3/8 in
SUCTION	5/8 in
DRAIN	
WATER	
DISCHARGE	
PAN LOOP	
HOT GAS SIDE PORT	
HOT GAS INLET	
HOT GAS OUTLET	
OTHER	
SHIPPING WEIGHT	149 lb
REFRIGERANT CHARGE	3 lb
RECEIVER CAPACITY	5 lb

APPROVALS			



NOTES:

**NATIONAL REFRIGERATION AND AIR CONDITIONING CANADA CORP.**159 ROY BLVD, PO BOX 2020  
BRANTFORD, ON  
CANADA N3T 5Y6**BLP107MA-S1D****LOW PROFILE  
EVAPORATOR**

PURCHASER :

SUBMITTED BY : **Laura Craig**PROJECT : **South Middle School Lancaster SC**DATE : **11 Oct 2022**ORDER # : **06338.58290.00469-A00**ITEM # : **8**QUOTE # : **Q10EULCB-A**

ID # :

PURCHASER'S PO # :

TAGGING :

**MODEL FEATURES**

- 3/8" Tubing coil construction (reduces refrigerant operating charge)
- Factory installed solenoid valve wire harness
- Heavy gauge textured aluminum cabinet construction resists scratches/corrosion
- Spacious piping end compartment allows for easy assembly

- Hinged drain pan with central universal drain connection (3/4" drain)
- Front access to spacious electrical and header compartments
- Schrader connection on suction header
- Attractive and durable high density polyethylene fan guards
- Ultra efficient Electronically Commutated Motor (ECM)

- ECM with SmartSpeed Technology
- High efficiency enhanced copper tube and aluminium fin coil design
- 6 FPI
- AWEF = 9.0
- Unit Cooler is AWEF/NRCAN compliant with R404A/R507/R448A/R449A/R407A/R407C

**MODEL OPTIONS ( \* = Shipped Loose )****PRE-ASSEMBLED EVAP**

- SmartVap+ with EEV + Solvlv
- Sporlan TXV, LLSV,T-stat
- KE2 Evap Efficiency w/Sporlan EEV
- \*KE2 Evap Efficiency w/Sporlan EEV
- Aux Sideport Connector**

**CABINET FINISH**

- Painted White
- Stainless Steel

**SENSORS FOR CPC BOARDS**

- Coil Temp Sensor
- Return Air Temp Sensor

**DEMAND DEFROST ELECTRONIC CONTROLLER**

- KE2 Therm Evaporator Efficiency
- \*KE2 Therm Evaporator Efficiency
- Dual Circuit**

**ELECTRONIC CONTROLLER**

- KE2 Temp+Defrost
- SmartVap+ Control Board and Display

**EXPANSION VALVE**

- Sporlan TXV
- Sporlan EEV
- EEV for SmartVap+

**Evaporator Disconnect Switch****EVAPORATOR PRISON PACKAGE**

- Tamper Proof Screws

**Export Crating****COIL COATING**

- E-Coat

**FIN MATERIAL**

- Gold Coat Fins
- Copper Fins

**Insulated Drain Pan****KE2 THERM**

- \*CAT5e Shielded Cable - 50ft w/connectors
- 40' Leads on Sensors + Transducers
- Ethernet Adapter Kit
- \*Remote Combo Display
- \*Liquid / Suction Heat Exchanger

**LIQUID LINE SOLENOID VALVE**

- Sporlan
- Dual Voltage Coil 120-230V Field Wired**
- Nitrogen Charged and Sealed ROOM THERMOSTATS**

**ROOM THERMOSTATS**

- Mechanical
- \*Mechanical
- \*Johnson A19ABC
- \*Johnson A421ABC-02C
- Johnson A421ABC-02

**Wire Fan Guards****REMOTE DEFROST PANEL**

- \*230V Control
- \*115V Control

**INSTALLATION REQUIREMENTS**

- Minimum slope of 1" per foot on all drain lines
- P-trap per evap required outside of box

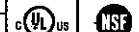
VOLTAGE	SYSTEM REFRIGERANT	AIR FLOW	EVAP. TEMP	BOX TEMP	CAPACITY
<b>115/1/60</b>	<b>R448A</b>	<b>680 CFM</b>	<b>27 °F</b>	<b>35 °F</b>	<b>5610 BTUH</b>

FANS			HEATERS			CIRCUIT TOTAL			
QTY	POWER	FLA/FAN	TYPE	QTY	AMPS	AMPS	WATTS	MCA†	MOP‡
<b>1</b>	<b>0.07HP</b>	<b>1</b>				<b>1</b>	<b>60</b>	<b>1.3</b>	<b>15</b>

DISTRIBUTOR	<b>3/8 in</b>	SOUND	<b>-</b>	REC CAPACITY		APPROVALS
SUCTION	<b>5/8 in</b>	WEIGHT	<b>48 lb</b>	REF CHARGE	<b>1 lb</b>	

**NOTES:**

† MCA.. Minimum Circuit Ampacity, ‡ MOP.. Maximum Overcurrent Protection

**APPROVED BY :****DATE :**

Approval of this drawing signifies that the equipment is acceptable under the provision of the job specifications. Any change made hereon by any person whomsoever subject to acceptance by NATIONAL REFRIGERATION at its home office.





**NATIONAL REFRIGERATION AND  
AIR CONDITIONING CANADA CORP.**  
159 ROY BLVD, PO BOX 2020  
BRANTFORD, ON  
CANADA N3T 5Y6

**BLP107MA-S1D**

**LOW PROFILE  
EVAPORATOR**

PURCHASER :

SUBMITTED BY : **Laura Craig**

PROJECT : **South Middle School Lancaster SC**

DATE : **11 Oct 2022**

ORDER # : **06338.58290.00469-A00**

ITEM # : **8**

QUOTE # : **Q10EULCB-A**

ID # :

PURCHASER'S PO # :

TAGGING :

**SELECTED OPTION DESCRIPTIONS**

**Expansion Valve - Sporlan TXV**

May be Type EBQ, S, SBF, O externally equalized thermostatic expansion valve. Valves are selected using the specified capacity and operating conditions of the refrigeration system as specified on the accompanying Certified Prints.

**Installation Requirements - Minimum slope of 1" per foot on all drain lines**

Bally recommends a minimum slope of 1" per foot on all drain lines.

**Installation Requirements - P-trap per evap required outside of box**

All evaporators must be trapped individually outside of the box to prevent vapor migration back to coil surface.

**Liquid Line Solenoid Valve - Sporlan**

Sporlan solenoid coil voltage matches evaporator voltage except when evaporator is 460V, then 230V solenoid coil is used. Exceptions must be clearly explained in the Notes of the option.

**Pre-assembled Evap - Sporlan TXV, LLSV, T-stat**

Option Package consists of factory installed Sporlan balance port TXV, Sporlan liquid line solenoid valve and Johnson Controls A19 Room thermostat.

**Room Thermostats - Mechanical**

Single stage temperature control with Single-Pole, Double-Throw (SPDT) mechanical switch. May be Johnson A19 or equal, Operating range of -30°F to +100°F. Adjustable differential of 3°F to 12°F. Factory installed and wired.

Approval of this drawing signifies that the equipment is acceptable under the provision of the job specifications. Any change made hereon by any person whomsoever subject to acceptance by NATIONAL REFRIGERATION at its home office.



**NATIONAL REFRIGERATION AND AIR CONDITIONING CANADA CORP.**

159 ROY BLVD, PO BOX 2020  
BRANTFORD, ON  
CANADA N3T 5Y6

Order Item No: **8**  
**BLP107MA-S1D**  
**LOW PROFILE**  
**EVAPORATOR**

NATIONAL REFRIGERATION will furnish equipment in accordance with this drawing and specifications, and subject to its published warranty. Approval of this drawing signifies that the equipment is acceptable under the provision of the job specifications. Any change made hereon by any person whomsoever subject to acceptance by NATIONAL REFRIGERATION at its home office.

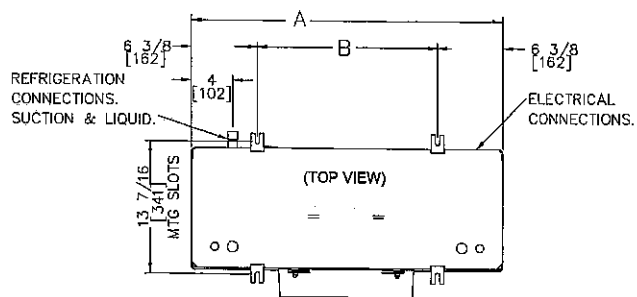
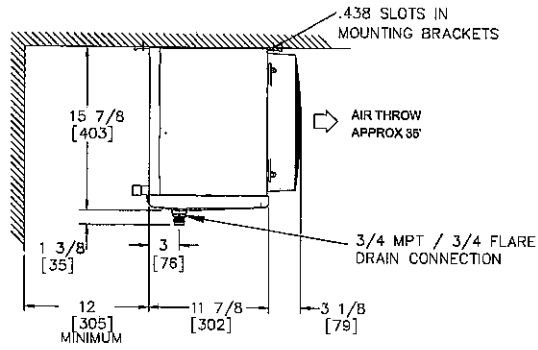
DATE : **11 Oct 2022**  
PURCHASER :  
PROJECT : **South Middle School Lancaster SC**  
SUBMITTED BY : **Laura Craig**

Dimensions shown are for standard unit less options.

DIMENSIONS	
DIMENSION A	30 1/4 in
DIMENSION B	17 1/4 in
DIMENSION C	
DIMENSION D	
DIMENSION E	
DIMENSION F	
DIMENSION G	0 in
DIMENSION H	

CONNECTIONS	
DISTRIBUTOR	3/8 in
SUCTION	5/8 in
DRAIN	3/4 in
WATER	
DISCHARGE	
PAN LOOP	
HOT GAS SIDE PORT	
HOT GAS INLET	
HOT GAS OUTLET	
OTHER	
SHIPPING WEIGHT	48 lb
REFRIGERANT CHARGE	1 lb
RECEIVER CAPACITY	

APPROVALS			



NOTES:





# SWANSON-GIRARD

CULINARY SOLUTIONS

Project  
South Middle School

From  
Swanson-Girard & Assoc.  
Becky Jersey  
10420 Southern Loop Blvd.  
Pineville, NC 28134  
(704)521-8811  
(888)521-0778 0000 (Contact)  
(704)521-8801 (Fax)  
bjersey@swanson-girard.com

**The following discounts have been applied to this quotation. No additional discounts can be taken off the net price shown.**

**To ensure all discounts are applied correctly when ordering please send ALL ORDERS to Swanson-Girard. Email: [orders@swanson-girard.com](mailto:orders@swanson-girard.com) or Fax: 704-521-8801**

***For Tracking information please either reach out to SGA office or Autoquotes Order Status.***

ITEM Single SHELVING, WITH METAL FRAME (8 REQ'D)

Cooler -

Metro Model PR1860NK3 Dimensions: 60(w) x 18(d)

Super Erecta Pro™ Shelf, 60"W x 18"D, removable polymer shelf mat, Metroseal 3™ epoxy-coated frame, built-in Microban product protection, split sleeves, attaches to Super Erecta® round posts, NSF

- 8 ea Model PR1848NK3 Super Erecta Pro™ Shelf, 48"W x 18"D, removable polymer shelf mat, Metroseal 3™ epoxy-coated frame, built-in Microban product protection, split sleeves, attaches to Super Erecta® round posts, NSF
- 16 ea Model 74PK3 Super Erecta® SiteSelect™ Post, 74-1/2"H, adjustable leveling bolt, posts are grooved at 1" increments & numbered at 2" increments, double grooved every 8", Metroseal 3 Green epoxy coated corrosion-resistant finish with Microban® antimicrobial protection
- 1 ea Model HP2236PD Metro Bow-Tie™ Dunnage Rack, 22" x 36" x 12"H, slotted, with separate polymer tie for joining racks, corrosion proof polymer construction, NSF

