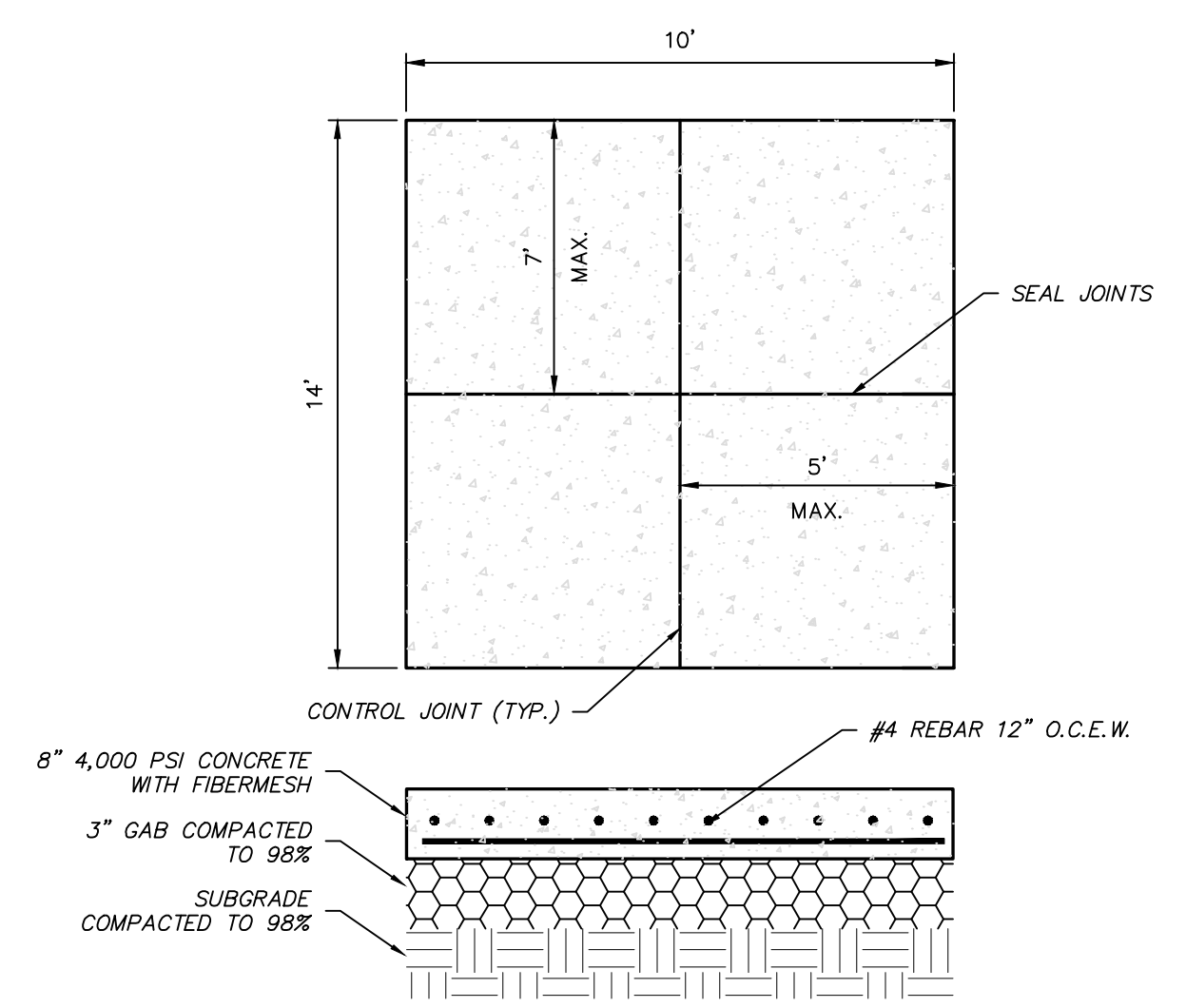
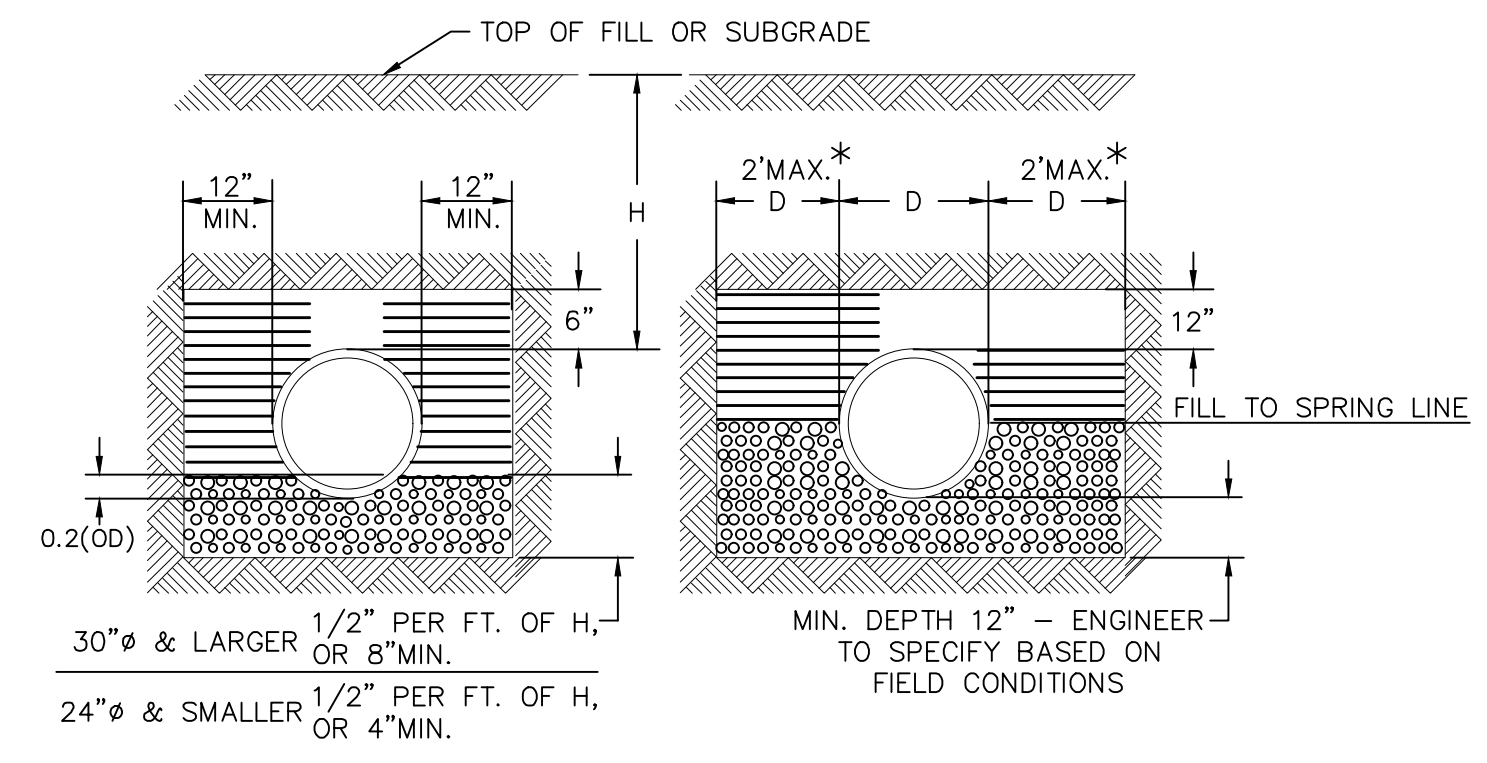


**PIPE BOLLARD DETAIL**  
N.T.S.



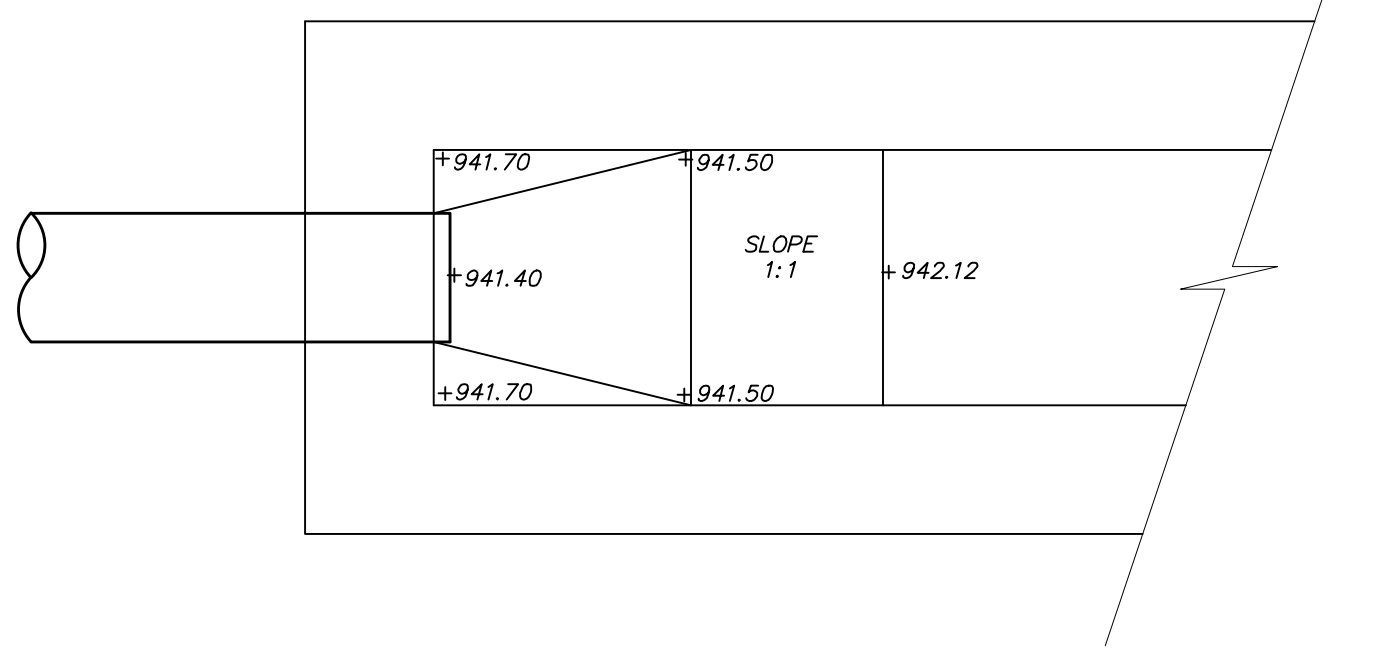
**DUMPSTER PAD AND APPROACH DETAIL**  
N.T.S.



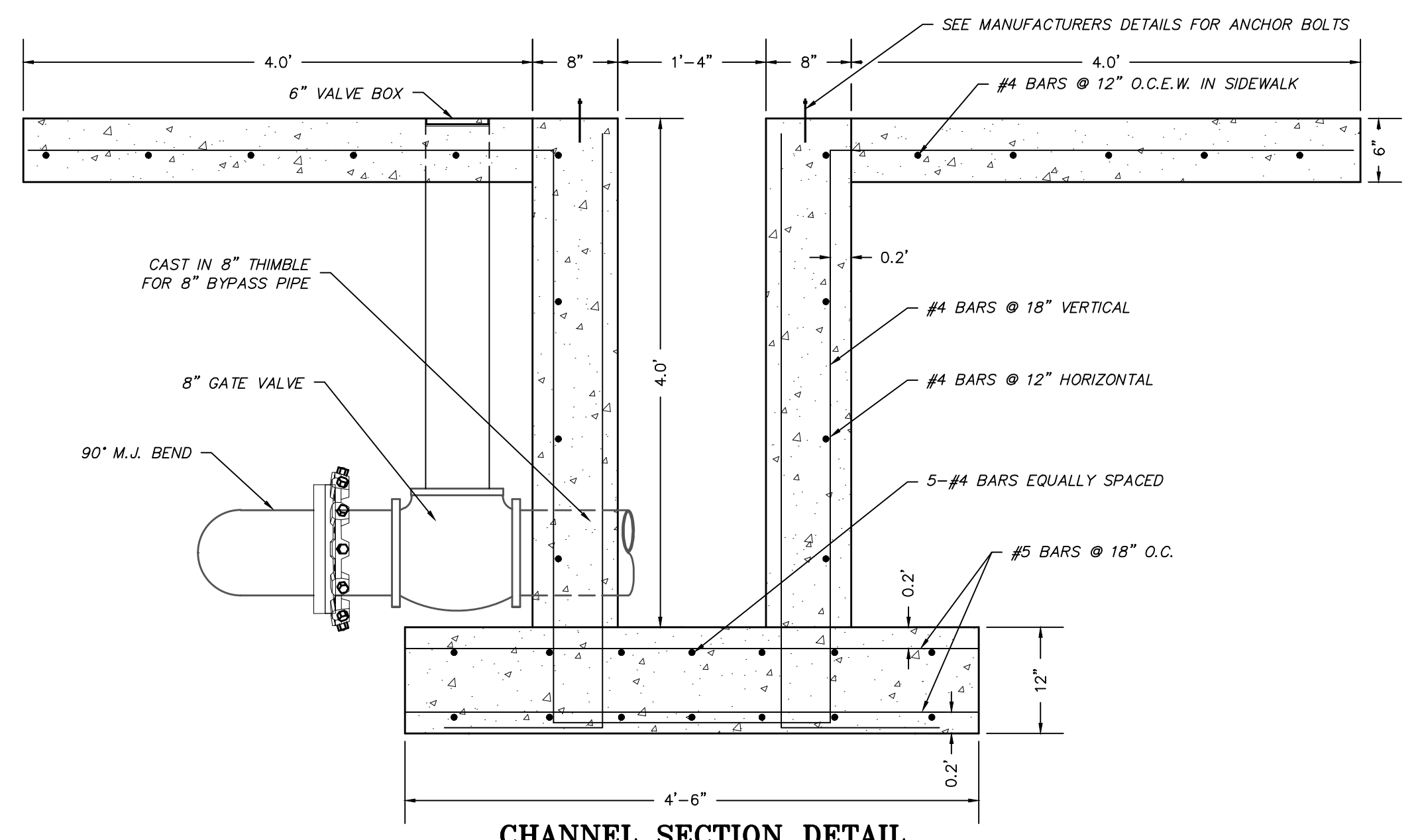
**TYPICAL STORM DRAIN TRENCH DETAIL**  
N.T.S.

- FILL MATERIAL MEETING COUNTY SPECIFICATIONS AND APPROVAL COMPACTED TO 95% MAXIMUM DRY DENSITY.
- SELECT BACKFILL FREE OF CLUMPS, ROCK ETC. MEETING COUNTY APPROVAL, COMPACTED AT OPTIMUM MOISTURE CONTENT AND 95% STANDARD PROCTOR IN MAXIMUM 6" LAYERS.
- FINE GRANULAR MATERIAL APPROVED BY COUNTY, UNIFORMLY COMPACTED TO 95% STANDARD PROCTOR.

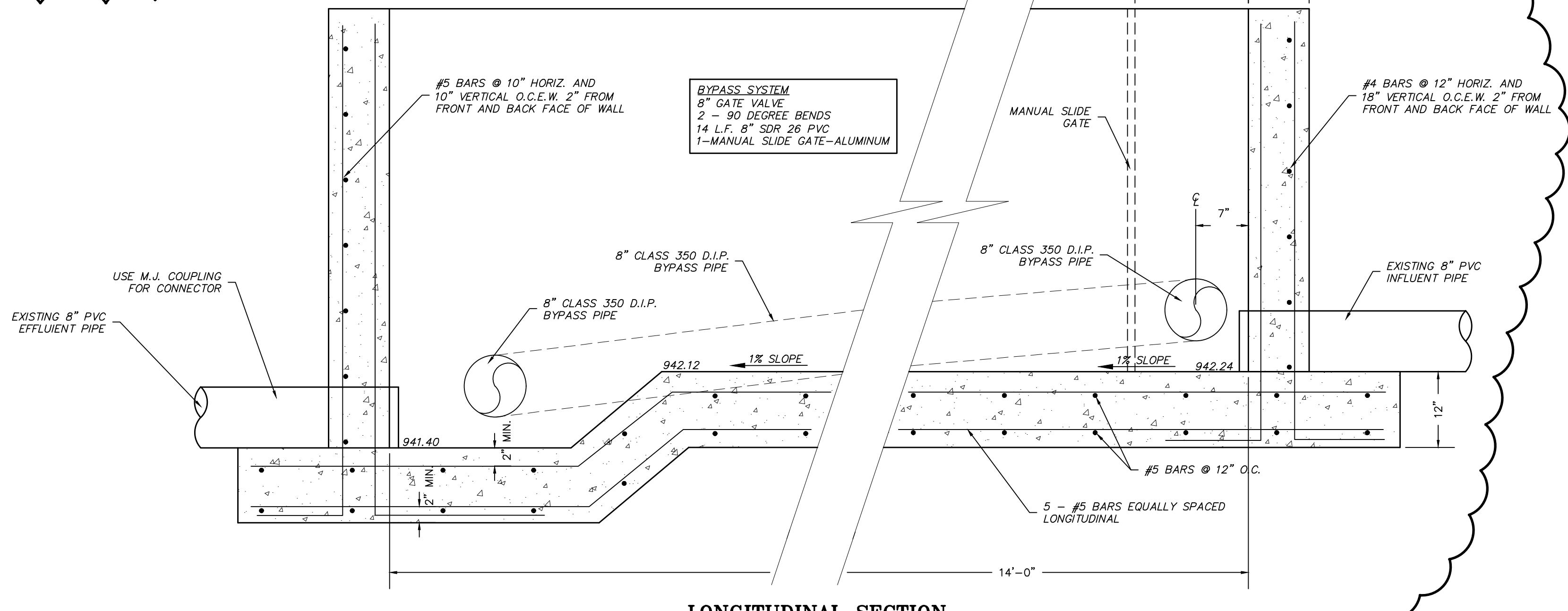
MINIMUM COVER SHALL BE 12" FROM TOP OF PIPE TO BOTTOM OF PAVEMENT BASE AT ITS CLOSEST POINT OR AS APPROVED BY ENGINEER.  
\*DIMENSION MAY NEED TO BE INCREASED BASED ON SOIL CONDITIONS AND DEPTH OF PIPE. EXCAVATION MUST MEET ALL O.S.H.A. GUIDELINES.



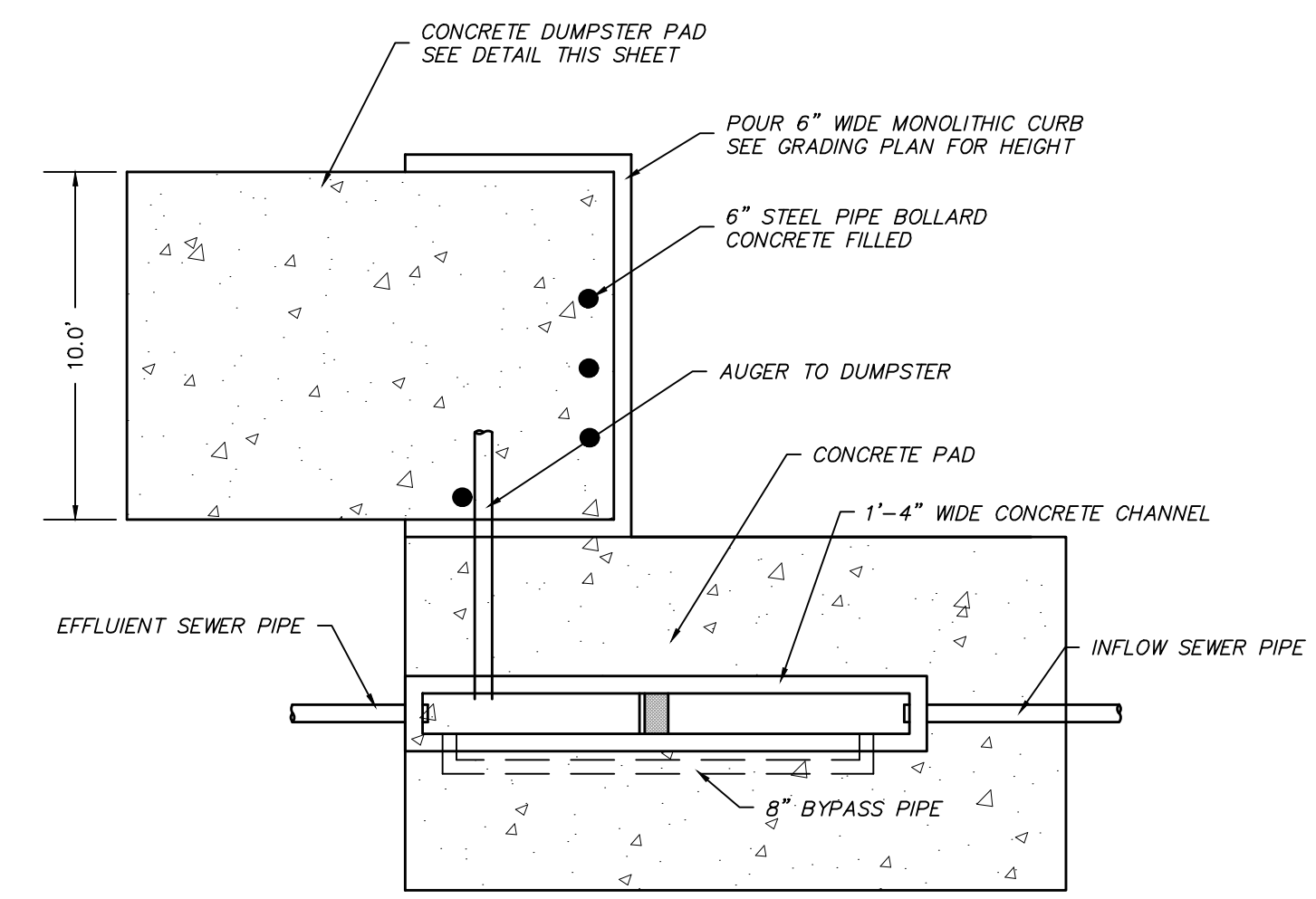
**SUMP DETAIL**  
N.T.S.



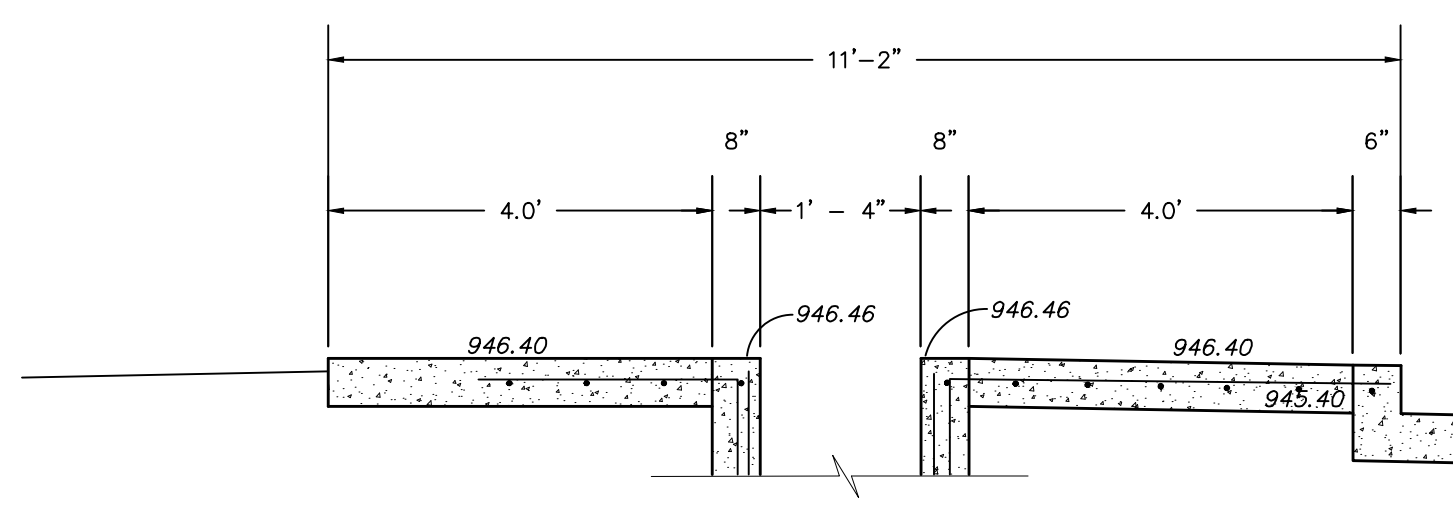
**CHANNEL SECTION DETAIL**  
N.T.S.



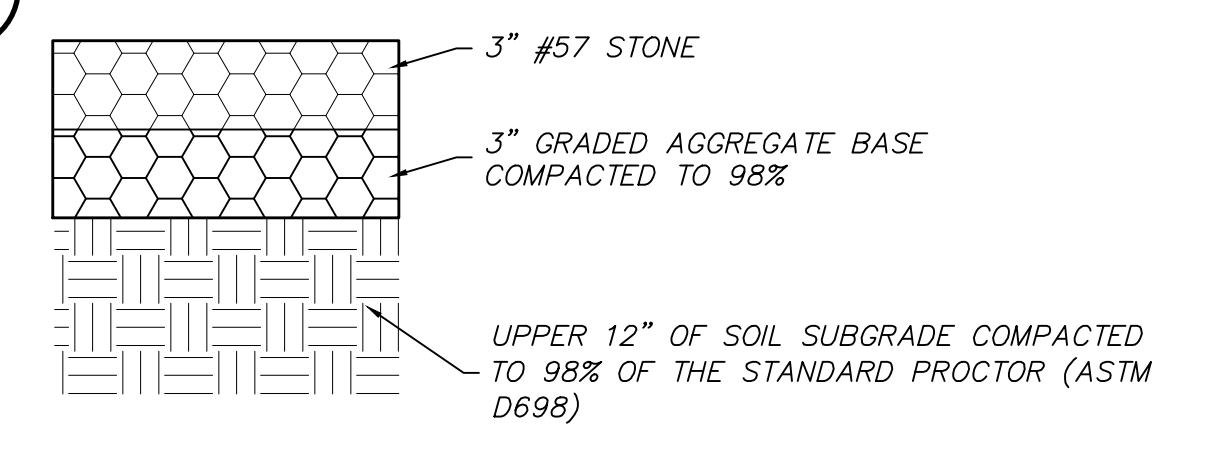
**LONGITUDINAL SECTION**  
SCALE: 1" = 1'-0"



**CHANNEL PLAN VIEW DETAIL**  
N.T.S.



**CHANNEL AND CONCRETE PAD DETAIL**  
N.T.S.



**GRAVEL DRIVE SECTION**  
N.T.S.

**PARAGON**  
CONSULTING GROUP

350 airport road griffin, georgia 30224  
phone (770) 412-7700 www.pcgeng.com

SITE DEVELOPMENT PLANS FOR

**SPALDING COUNTY**

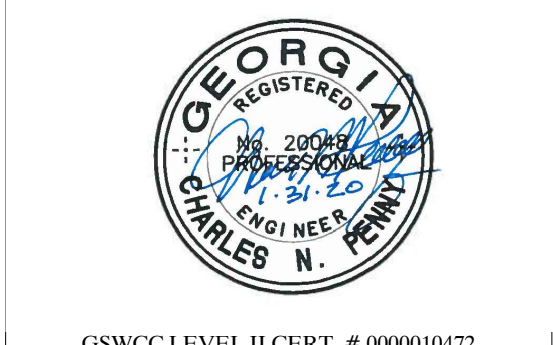
**C.I. AND JAIL BAR SCREEN**

LOCATED IN LANDLOT 110 OF THE 2nd DISTRICT, SPALDING COUNTY

The client acknowledges that these documents are the work papers of Paragon Consulting Group, Inc. and are their instruments of professional service. These documents shall not be reused or modified in any way without the prior written authorization of Paragon Consulting Group, Inc.

SHEET:  
**CONSTRUCTION DETAILS**

LICS #: PEF004167



Project No. 19102.00 Issue Date: DEC. 2019  
Drawn By: JLB Checked By: CNP

No.	Revisions:	Date
1.	Addendum No. 1	2/18/2020