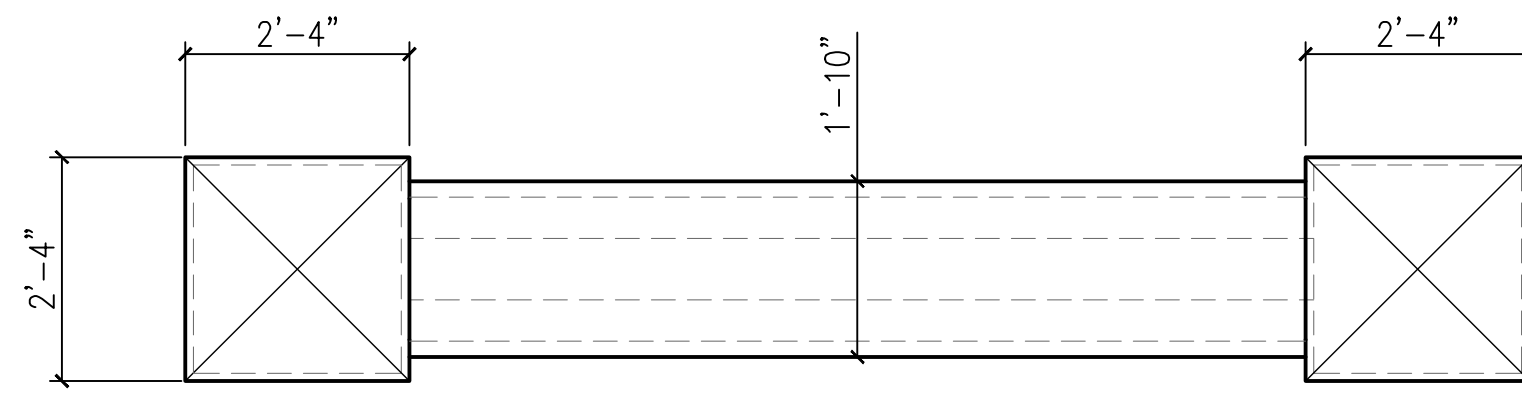
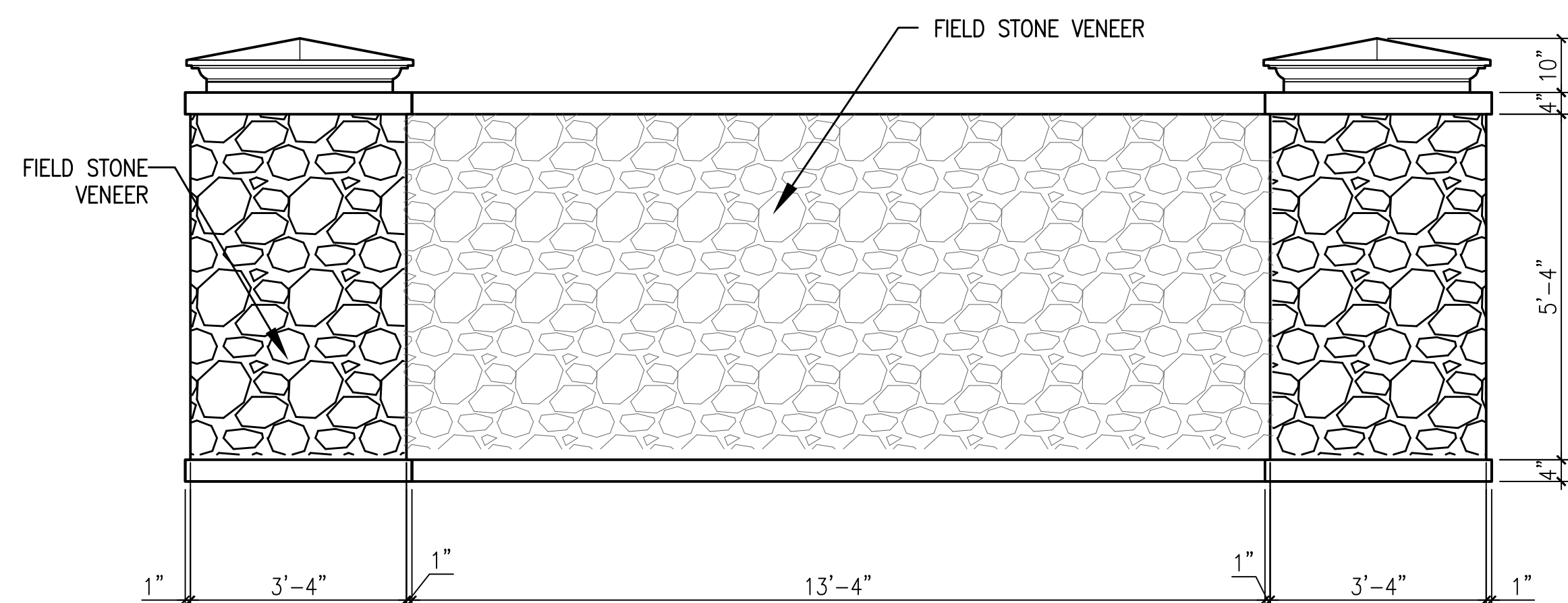


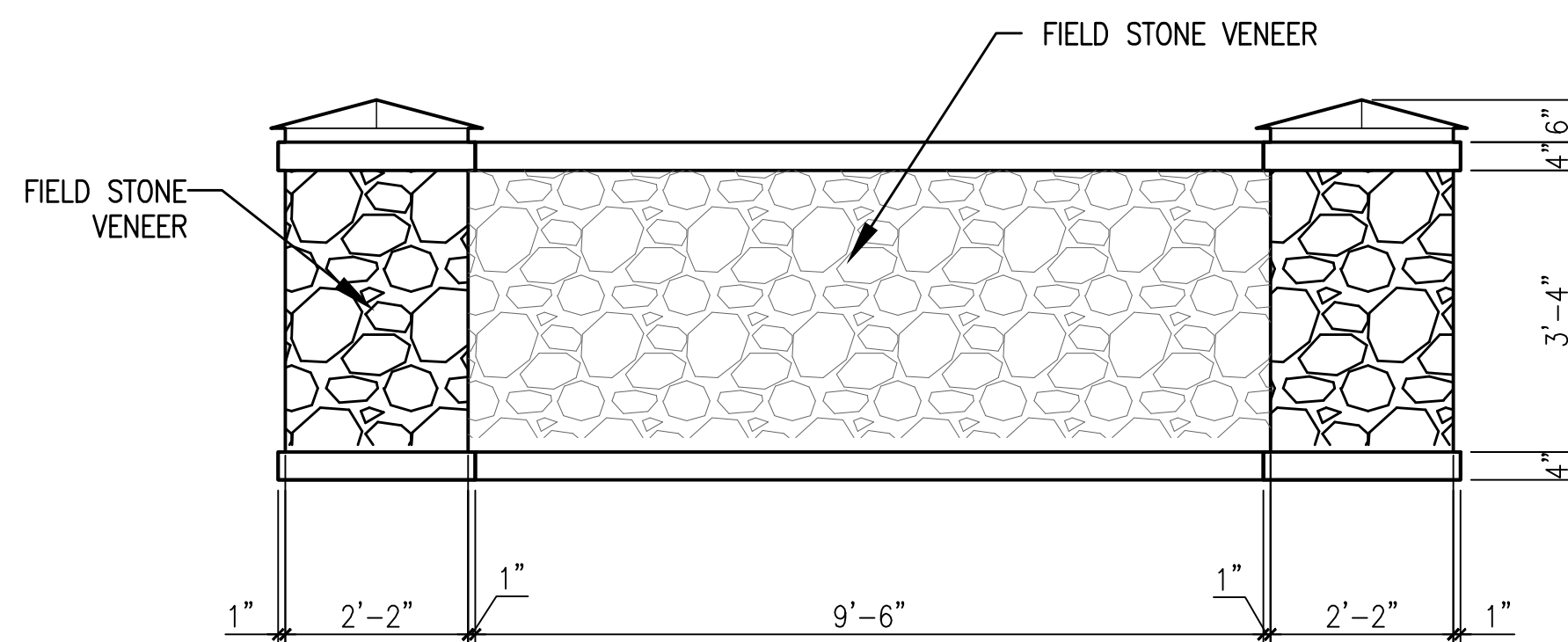
NOTE: SEE STRUCTURAL SHEET S.001 FOR SECTION DETAILS



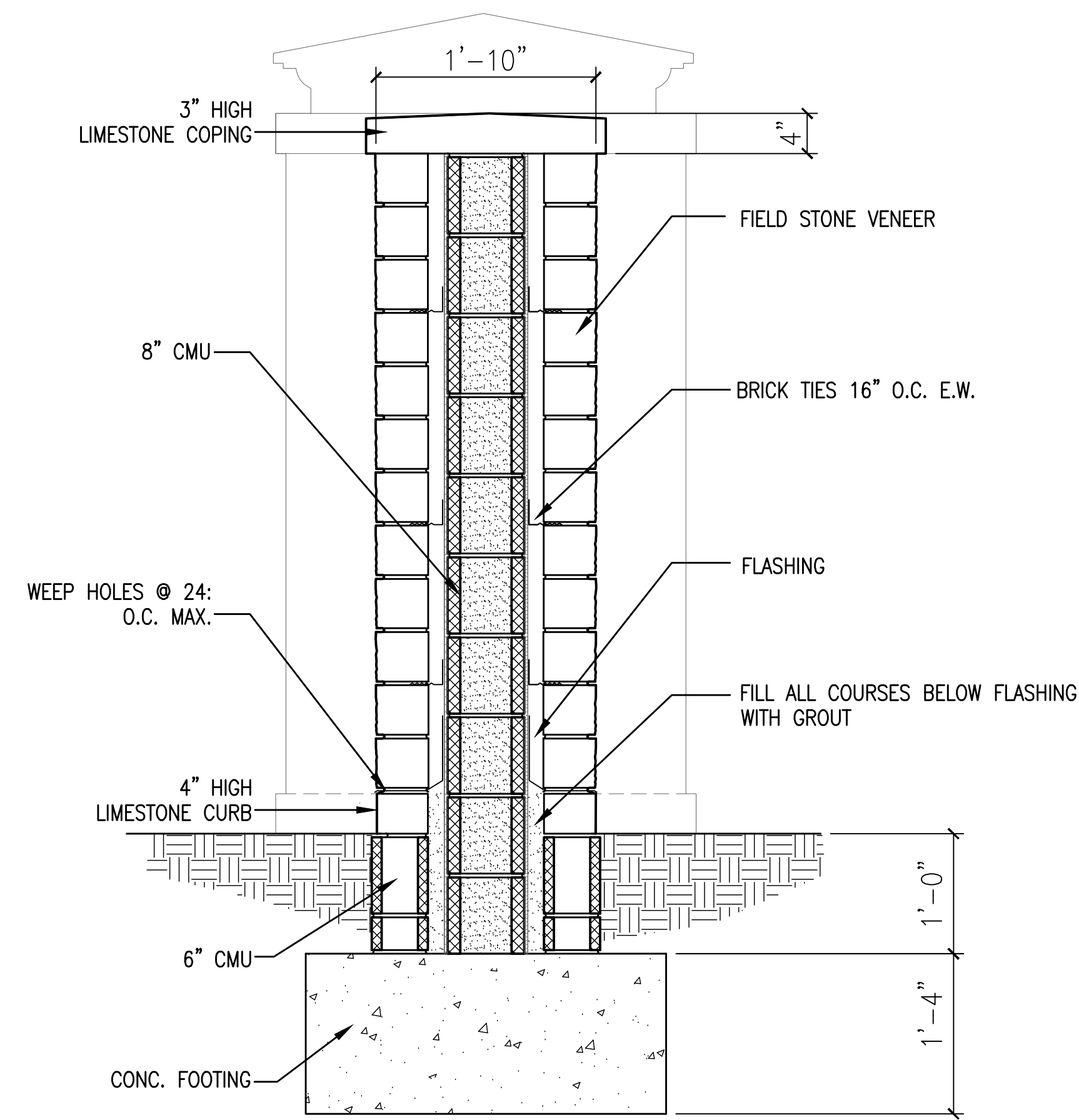
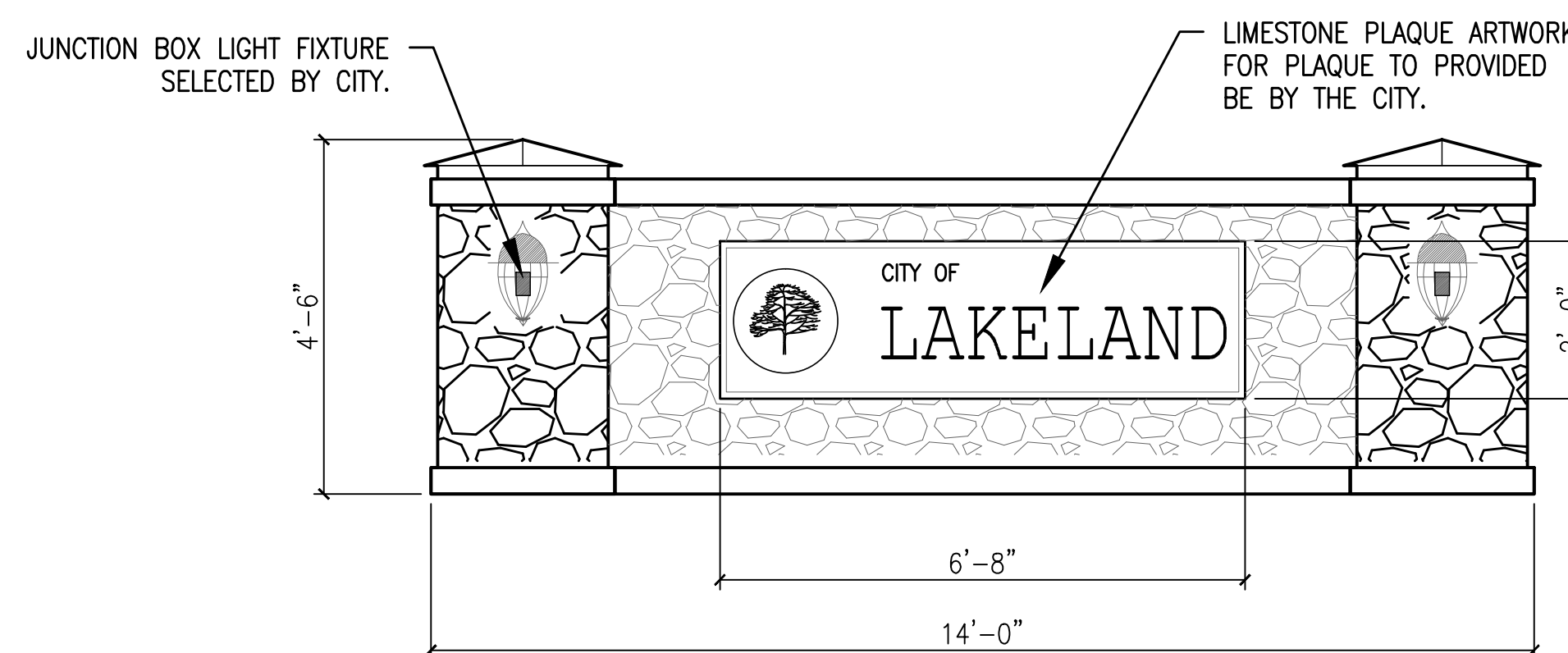
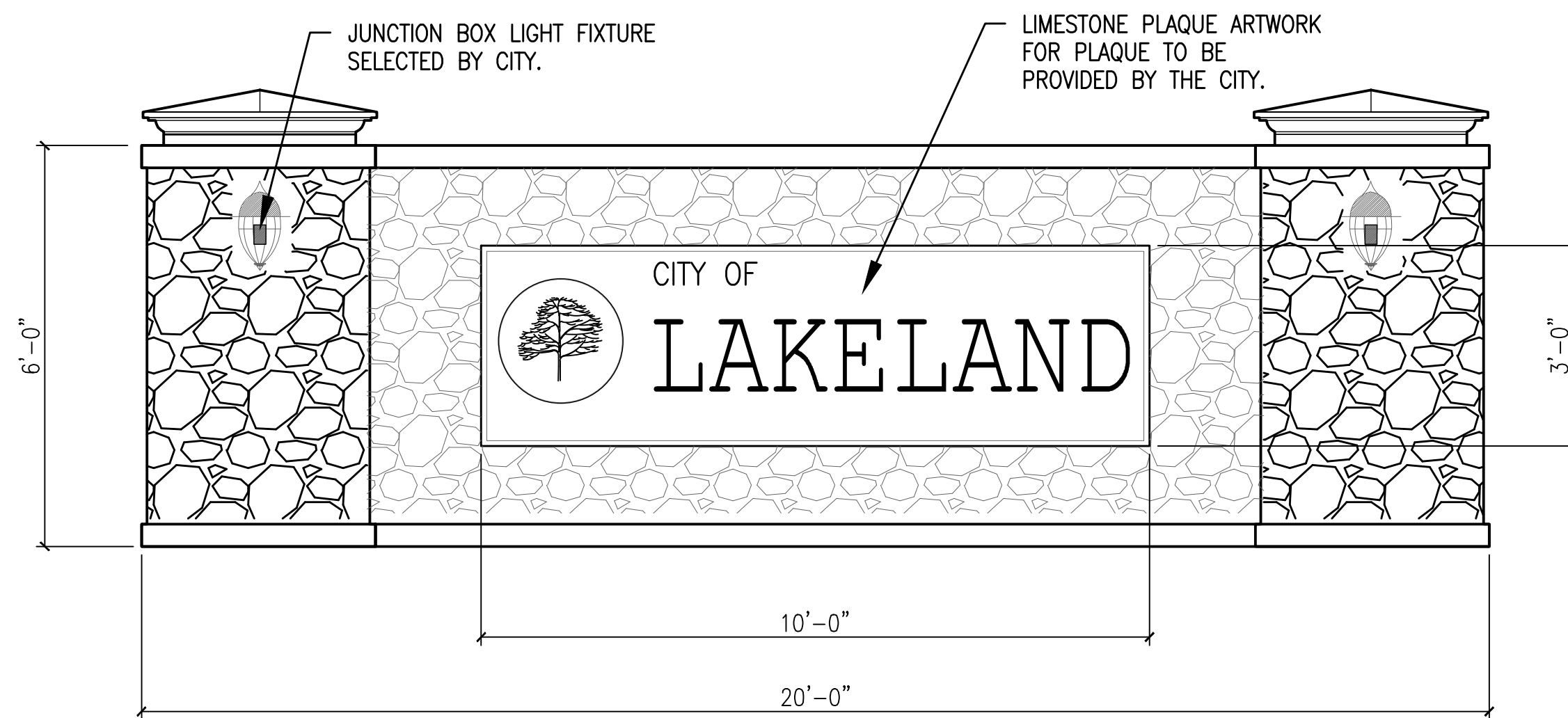
NOTE: SEE STRUCTURAL SHEET S.002 FOR SECTION DETAILS



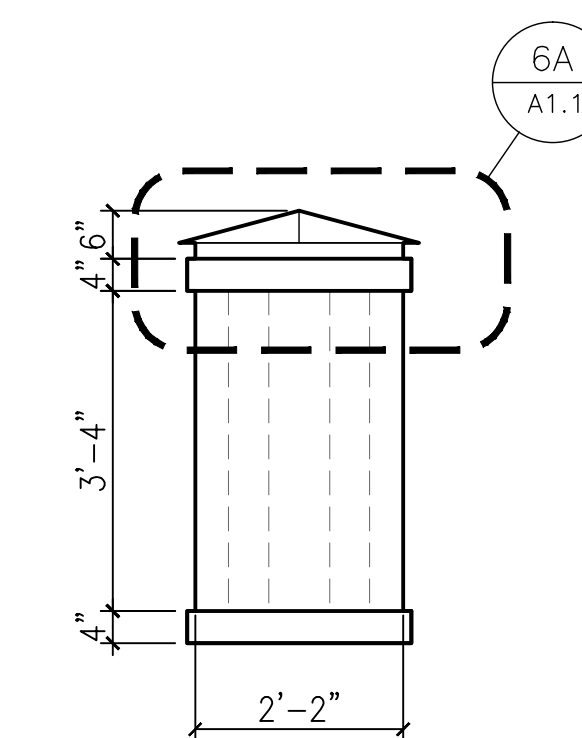
1B FRONT AND TOP ELEVATION VIEW - 20' SIGN
1/2" = 1'-0"



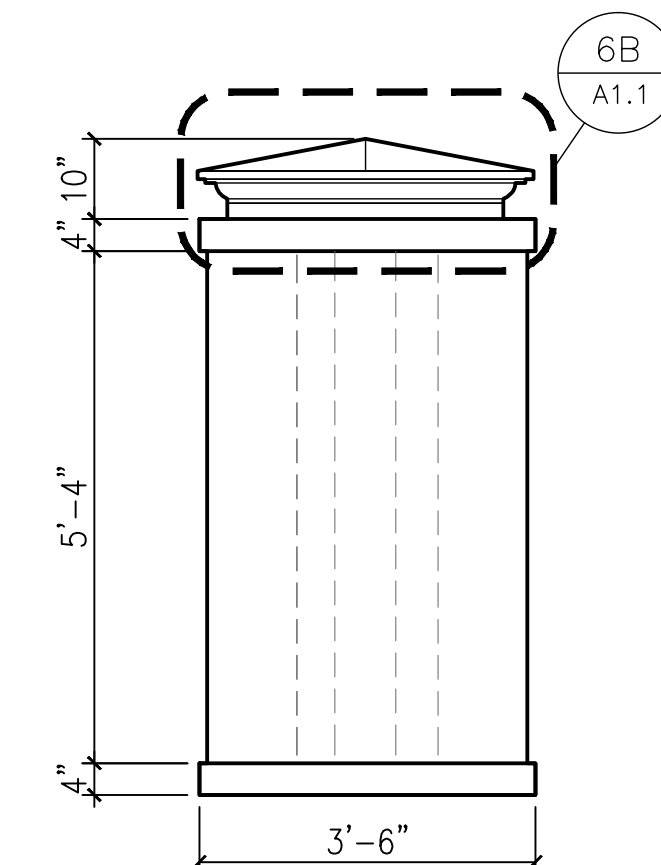
3B FRONT AND TOP ELEVATION VIEW - 14' SIGN
1/2" = 1'-0"



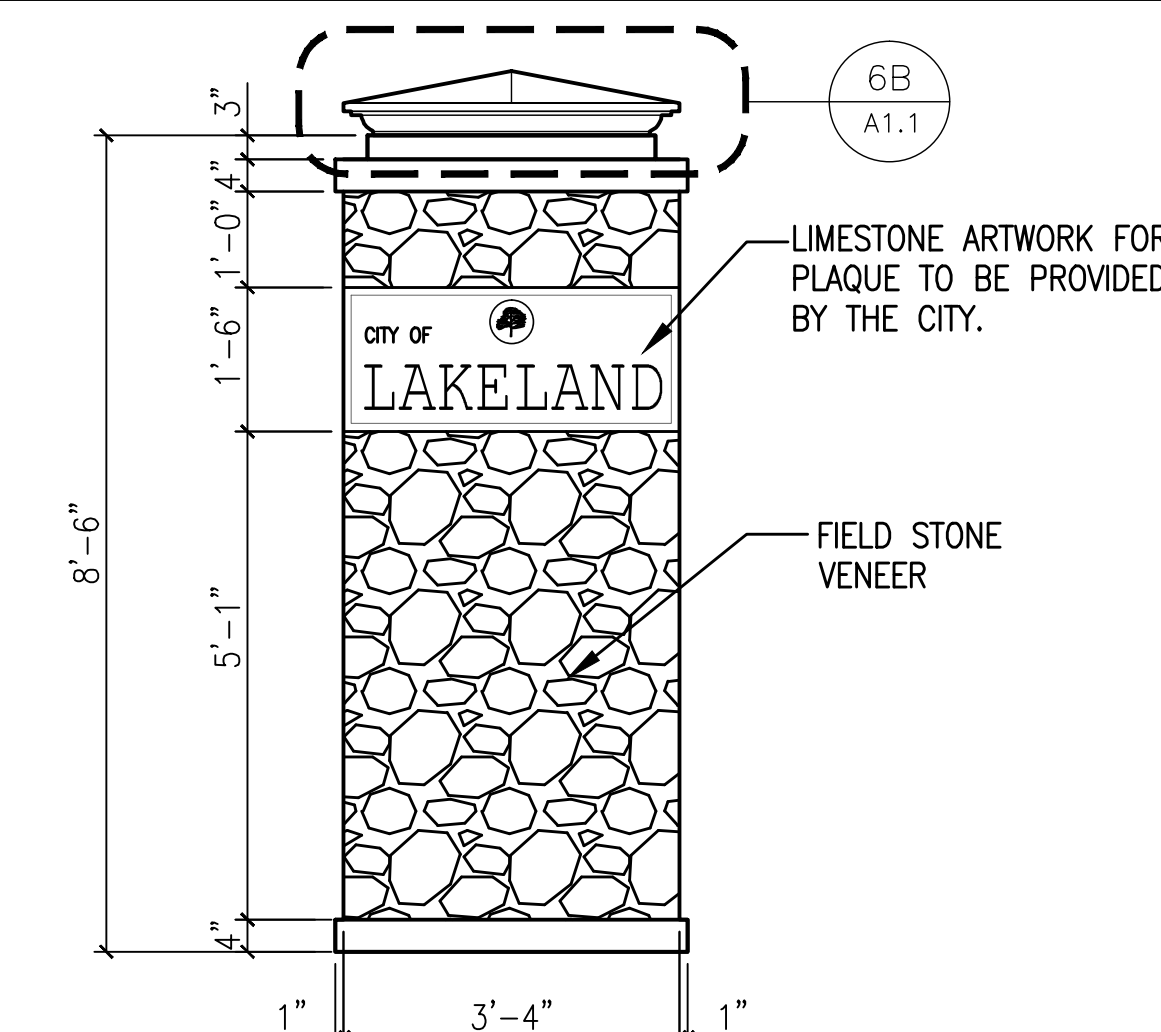
5D WALL SECTION
1" = 1'-0"



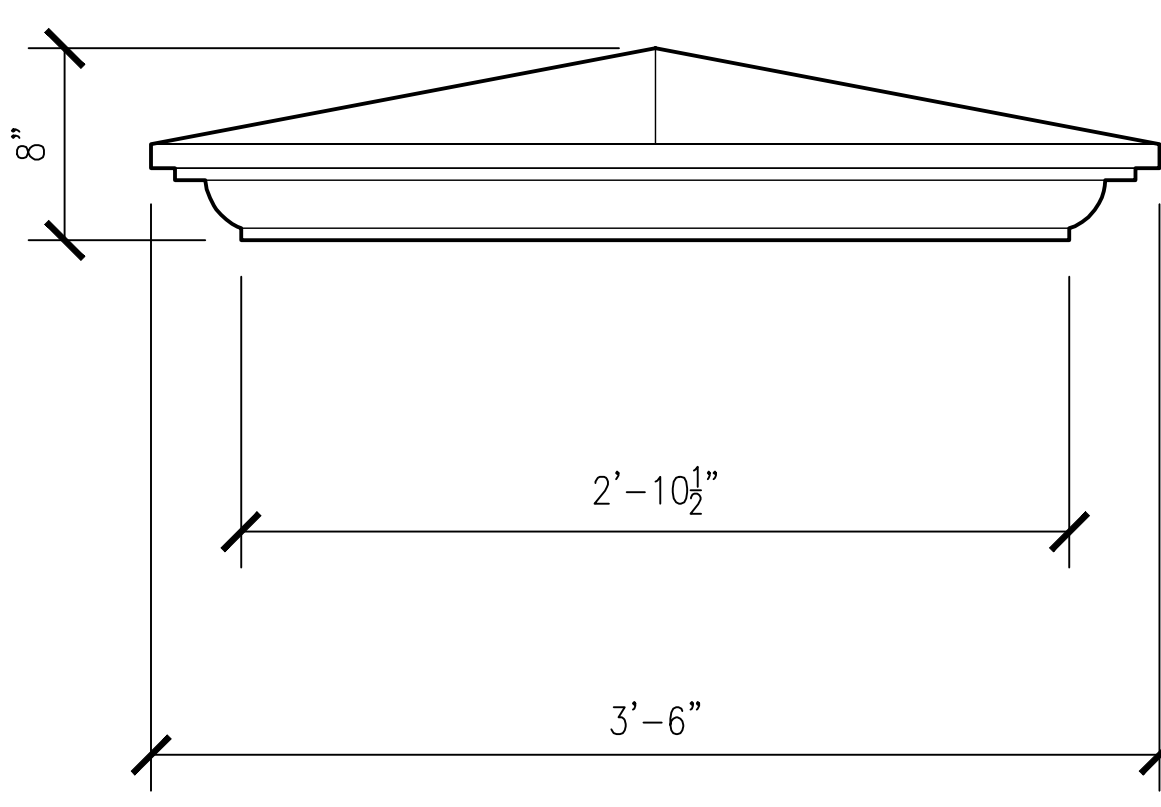
5C SIDE VIEW ELEVATION - 14' SIGN
1/2" = 1'-0"



5B SIDE VIEW ELEVATION - 20' SIGN
1/2" = 1'-0"



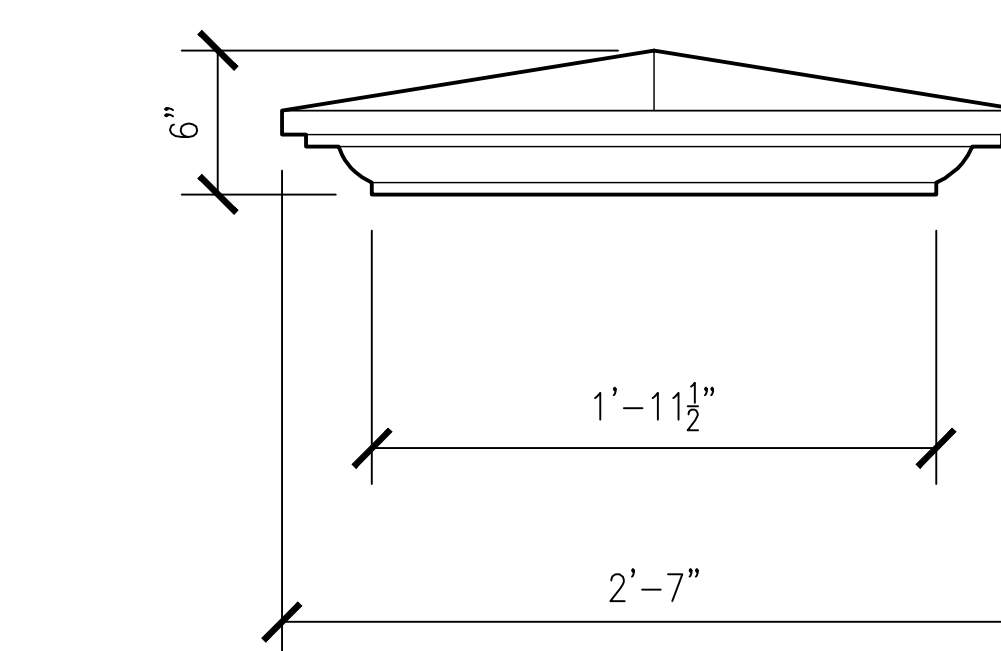
6C ELEVATION - SIGN PILLAR
1/2" = 1'-0"



6B CAP STONE 42" WIDTH
1/2" = 1'-0"

GENERAL NOTES

1. CONCRETE MASONRY UNITS $\frac{3}{8}$ " JOINTS.
2. INSTALL 5" THICK FOR FIELD STONE VENEER.
3. INSTALL 3" FOR THE FLAT LIMESTONE TOP.
4. INSTALL 4" LIMESTONE BASE TRIM.
5. COORDINATE WITH CITY FOR LIGHT FIXTURE PLACEMENT.
6. INSTALL NEW LIMESTONE PLAQUES AT APPROXIMATELY 3"-3 1/2" THICK.



6A CAP STONE 31" WIDTH

REVISIONS:

PROJECT #: 24922.00
DATE: MARCH 30, 2016
DRAWN BY: WA
DESIGNER: WA
CHECKED BY: TC



CITY OF LAKELAND
GATEWAY MONUMENT SIGNS
10001 HWY. 70
LAKELAND, TN. 38002

SEAL:

SHEET NUMBER:

A1.1

DESCRIPTION:
MONUMENT SIGNS