

1. General Notes:

PROJECT NOTES

1.1 Openings

Florence Concrete Products will furnish only the openings larger than 10"x10" or 10" dia. shown on these Shop Drawings. All other openings are the responsibility of others. Please obtain written approval from Florence Concrete Products prior to cutting, coring, or installing any openings in these panels, columns, or beams.

1.2 Tolerances

PCI MNL-116-99

1.3 Access, Bench Marks, Controls and Notes

Florence Concrete will furnish and deliver all precast materials. Customer to furnish, at no cost to Florence Concrete Products, a suitable access from street to structure, in each bay and around perimeter of the building for heavy loaded trucks and cranes to operate under their own power.

1.4 Approval Drawings

Erection drawings should be reviewed and stamped as appropriate by the General Contractor and the Owners' Representatives (Architect, Engineer, etc.). Please return 1 (one) stamped set to Florence Concrete Products. Florence Concrete Products cannot be responsible for any delays that result from delays in receiving approved drawings.

2. General Specifications for Materials Supplied By Florence Concrete Products Inc.:

2.1 Prestressing Strand ASTM A416 270-LL

2.2 Reinforcing Steel
#3 to #11 Bars ASTM A706 Grade 60
Welded Wire Fabric ASTM A185

2.3 Structural Steel
Structural Shapes, Plates and Threaded Rods ASTM A36
Bolts ASTM A307
Tubes ASTM A500 Grade B

2.4 Weld Filler Metal E70xx

2.5 Concrete
fc 28 day=5000 psi min. Weight=150 pcf Gray

2.6 Grout Material
Non-Shrink Non-Metallic

3. Precast Concrete Finishes

3.1 Exterior Wall Panels
Thin Brick Finish on Exterior Surface of Most Walls, See Approved Sample for Color and Texture. See Drawing for Finish Detail.
Light Sandblast Finish on Exterior Surface of Some Walls As Indicated On Drawings.
Vertical Light Broom Finish on Interior Surface of Majority of Walls.
Smooth Float Finish on Interior Surface of Stair Tower Wall.

3.2 Interior Wall Panel
Steel Form Finish on one Surface of Interior Wall.
Vertical Light Broom on the other Surface of Interior Wall.
Steel Form Finish on Exterior Surface of Elevator Wall.
Smooth Float Finish on Unexposed Surface of Elevator Wall.

3.3 Double Tees
Rake Finish on top of Double Tees for C.I.P. Topping.
Steel Form Finish on all other Sides.

3.4 Ramp Flat Slab and Stair Floor Flat Slab.
Rake Finish on Top for C.I.P. Topping.
Steel Form Finish on the Bottom.

3.5 Beams
Rake Finish on Top if Receiving C.I.P. Topping.
Hard Trowel Finish on the Top if no C.I.P. Topping.
Form Finish on All Other Surfaces.

3.6 Columns
Thin Brick Finish on Two Or Three Sides (See Drawing For Details)
Hard Trowel Finish on the Other Side.

3.7 Stairs
Form Finish on Step Surfaces.
Smooth Float Finish on Bottom Surfaces.

3.8 Roof Flat Slab
Smooth Float Finish On Top Surface.
Steel Form Finish On The Bottom.

3.9 Spandrel Beam (Along Perimeter of Building) (LB-05 & LB-09).
Vertical Light Broom Finish On Interior Surface.
Form Finish On All Other Surfaces.

3.10 Bollards
Medium Sandblast

4. Materials Furnished by FCP

- 4.1 Embeds In Precast Concrete Unit Exposed to Weather (Galvanized).
- 4.2 Double Tee to Double Tee Flange Connection (Stainless Steel).
- 4.3 All Unexposed Embeds to be Shop Coat Primed & Grouted.
- 4.4 Grout Under Wall Panel & Columns.
- 4.5 Chord Reinforcement & Bollards are Furnished FOB Jobsite. Contractor is to Off Load & Install.
- 4.6 Column Anchor Bolts Supplied By FCP. Installed by Contractor.
- 4.7 Bearing Pad for Precast Members Only.

5. Materials Not Furnished by FCP

- 5.1 Cast in Place Concrete Topping fc = 4500psi minimum
- 5.2 Final Cleaning
- 5.3 Waterproofing
- 5.4 All Embedded Plates in Cast-in-Place Concrete Except Column Anchor Bolts
- 5.5 Caulking & Expansion Joint Materials.
- 5.6 Cast Stone Lintel & Caps.
- 5.7 Vinyl Coated Chain Link Fence & Any Embeds.
- 5.8 Guard Rail or Handrail & any Embeds.
- 5.9 Hand Trowel Stucco Finishing on Wall.
- 5.10 All Construction Work and Materials Not Listed Above.
- 5.11 CIP Deadman, See Sht. E-27
- 5.12 Any embeds or anchors for canopy

6. Design Information (Per Customer's Drawings (PS001 & PS002).

6.1 Design Codes

International Building Code IBC 2003 Edition w/2004 Supplement
American Concrete Institute ACI318-05
Prestressed Concrete Institute PCI MNL-120-04 6th Ed.
American Institute of Steel Construction Minimum Design Loads For Building And Other Structures AISC LRFD 3rd. Ed.
American Welding Society AWS D1.1
Structural Steel AWS D1.4
Reinforcing Steel

Design Load

6.2 Floor Live Load 40 psf
Parking and Driving Areas 20 psf
Stair Roof Live Load 100 psf
Stair, Landing & Lobbies 6,000 lbs
Vehicle Barrier Impact Load

6.3 Wind Design Data
Basic Wind Speed (3-Second Gust) 110 mph
Wind Important Factor Iw=1.0
Wind Exposure Category B
Internal Pressure Coefficient ±0.55
Wind Topographic Factor 1.0
Wind Design Suction -33.2 psf

6.4 Seismic Design Data
Seismic Use Group I
Seismic Importance Factor I=1.0
Design Spectral Response acceleration Coefficient S=0.660
Site Class D
Seismic Design Category E
Basic Seismic Force Resisting System Bearing Wall System With Special Reinforced Concrete Shear Walls
Seismic Response Modification Factor R=5.5
Analysis Procedure: Equivalent lateral Force Procedure
Design Base Shear Vx=Vy=1391 kips

7. Welding and Touch Up of Galvanized Plates

- 7.1 Removed Galvanizing from Surfaces to be Welded by Grinding.
- 7.2 Weld Per Detail.
- 7.3 Thoroughly Remove all Slag and Loose Scale from Welds with Wire Brush.
- 7.4 Brush Paint on Entire Exposed Plate Surface with Zinc Rich Cold Galvanizing Compound to A 30 mil Thickness (15 mil per coat).

8. Erection Note:

- 1. Consult with Precast Engineer for Erection Sequence and Bracing Plan.
- 2. Some Connections have to be made at Erection, there is no Future Access later.
- 3. Some Connections have to be made before Erection of DT to stabilize the structure.
- 4. Please keep the DT Flange and Bearing Level during Erection. Any Post Shimming must be approved by the Engineer.
- 5. Please contact Florence Concrete Engineering for any questions.



Figure 1

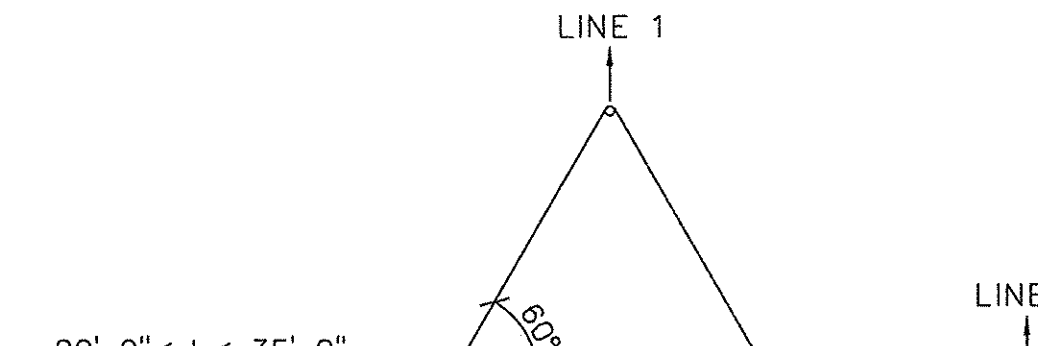


Figure 2

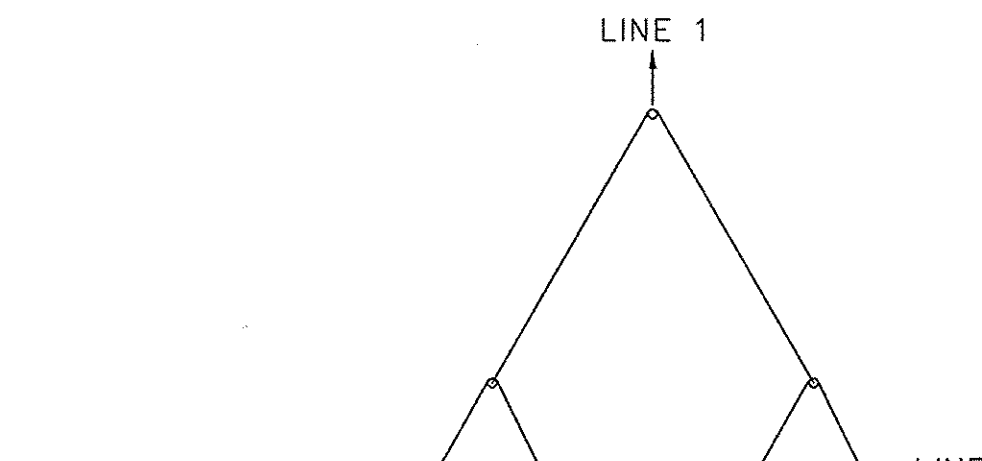


Figure 3

8" Wall

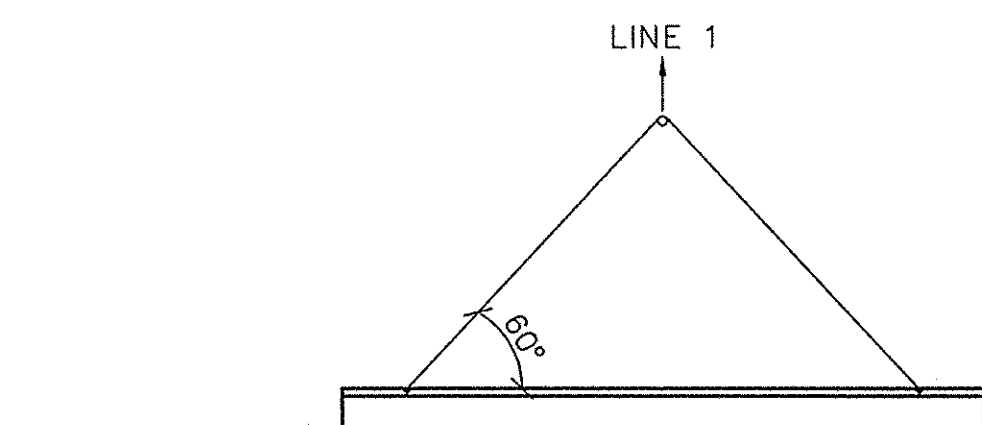


Figure 4
Beams, Double Tees,
Flat Slab or Stairs

INDEX OF DRAWINGS		
E1	05/02/07	GENERAL INFORMATION
E2	05/02/07	GENERAL INFORMATION
E3	05/02/07	COLUMN ANCHOR BOLT PLAN & PLATE LOCATION CIP
E4	05/02/07	LEVEL 2 PLAN VIEW
E5	05/02/07	LEVEL 3 & 4 PLAN VIEW
E6	05/02/07	LEVEL 5 PLAN VIEW
E7	05/02/07	BRACING PLAN
E8	05/02/07	ELEVATION A, B & C w/ BRICK
E9	05/02/07	ELEVATION D, E w/ BRICK
E10	05/02/07	ELEVATION F, G, J, K&L w/ BRICK
E11	05/02/07	ELEVATION A, B & C
E12	05/02/07	ELEVATION D & E
E13	05/02/07	ELEVATION F, G, H, I, J, K & L
E14	05/02/07	ELEVATION M
E15	05/02/07	ELEVATION N, O, P, R & S
E16A	05/02/07	ELEVATION T-A & U-A
E16B	05/02/07	ELEVATION T-B & U-B
E16C	05/02/07	ELEVATION T-C & U-C
E17	05/02/07	SECTIONS AND DETAILS
E18	05/02/07	SECTIONS AND DETAILS
E19	05/02/07	SECTIONS AND DETAILS
E20	05/02/07	SECTIONS AND DETAILS
E21	05/02/07	SECTIONS AND DETAILS
E22	05/02/07	SECTIONS AND DETAILS
E23	05/02/07	SECTIONS AND DETAILS
E24	05/02/07	SECTIONS AND DETAILS
E25	05/02/07	SECTIONS AND DETAILS
E26	05/02/07	SECTIONS AND DETAILS
E27	05/02/07	SECTIONS AND DETAILS
E28	05/02/07	SECTIONS AND DETAILS
E29	05/02/07	SECTIONS AND DETAILS
E30	05/02/07	SECTIONS AND DETAILS
E31	05/02/07	SECTIONS AND DETAILS



NO.	DATE	REVISION RECORD
1	01/15/07	SUBMITTED FOR APPROVAL
2	05/02/07	RELEASED FOR CONSTRUCTION
3		
4		
5		
6		
7		
8		

FLORENCE CONCRETE PRODUCTS, INC.
ARCHITECTURAL & STRUCTURAL PRECAST CONCRETE
865 INDUSTRIAL ROAD, SUMMER, SC 29150
PHONE: (803) 775-4372 FAX: (803) 775-8569



CUSTOMER:	PALMETTO CONSTRUCTION GROUP	SCALE:	NONE
PROJECT NAME & ADDRESS:	SUMMERVILLE TOWN HALL PARKING GARAGE SUMMERVILLE, SC GENERAL INFORMATION	DATE:	01/09/07
CUSTOMER PO#:		CHECKED BY:	SLR
SHEET #:	1 of 33	PROJECT #:	3279
DRAWING NUMBER:	E1		

8" WALL PANELS						
MARK	QTY.	WIDTH	LENGTH	SQ. FT.	WEIGHT	HANDLING
WP-01	ONE	6'-1"	49'-5"	300	30,060	FIG. 3
WP-02	ONE	11'-7 $\frac{5}{8}$ "	49'-5"	575	40,326	FIG. 3
WP-03	ONE	12'-2 $\frac{5}{8}$ "	49'-5"	603	43,180	FIG. 3
WP-04	ONE	11'-7 $\frac{5}{8}$ "	35'-9 $\frac{3}{8}$ "	416	28,724	FIG. 3
WP-05	ONE	12'-2 $\frac{5}{8}$ "	35'-9 $\frac{3}{8}$ "	437	30,812	FIG. 3
WP-06	ONE	11'-7 $\frac{5}{8}$ "	35'-9 $\frac{3}{8}$ "	416	28,724	FIG. 3
WP-07	ONE	12'-2 $\frac{5}{8}$ "	35'-9 $\frac{3}{8}$ "	437	30,812	FIG. 3
WP-08	ONE	11'-7 $\frac{5}{8}$ "	35'-9 $\frac{3}{8}$ "	416	28,724	FIG. 3
WP-09	ONE	12'-2 $\frac{5}{8}$ "	35'-9 $\frac{3}{8}$ "	437	30,812	FIG. 3
WP-10	ONE	11'-7 $\frac{5}{8}$ "	48'-5"	563	39,162	FIG. 3
WP-11	ONE	12'-2 $\frac{5}{8}$ "	48'-5"	591	41,958	FIG. 3
WP-12	ONE	5'-8"	48'-5"	274	27,437	FIG. 3
WP-13	3	13'-9"	4'-7 $\frac{5}{8}$ "	64	6,374	FIG. 1
WP-13A	ONE	13'-9"	6'-5 $\frac{3}{8}$ "	89	8,866	FIG. 1
WP-14	ONE	11'-3 $\frac{5}{8}$ "	48'-5"	547	38,677	FIG. 3
WP-15	ONE	7'-3 $\frac{5}{8}$ "	48'-5"	353	19,278	FIG. 3
WP-16	ONE	9'-10 $\frac{5}{8}$ "	48'-5"	478	31,792	FIG. 3
WP-17	ONE	11'-3 $\frac{5}{8}$ "	48'-5"	547	38,677	FIG. 3
WP-18	ONE	11'-11 $\frac{5}{8}$ "	48'-5"	579	41,877	FIG. 3
WP-20	ONE	11'-7 $\frac{5}{8}$ "	43'-1"	501	35,802	FIG. 3
WP-21	ONE	12'-2 $\frac{5}{8}$ "	43'-1"	526	38,313	FIG. 3
WP-22	ONE	11'-7 $\frac{5}{8}$ "	43'-1"	501	35,802	FIG. 3
WP-23	ONE	12'-2 $\frac{5}{8}$ "	43'-1"	526	38,313	FIG. 3
WP-24	ONE	5'-3 $\frac{5}{8}$ "	43'-1"	228	22,842	FIG. 3
WP-25	ONE	3'-7 $\frac{5}{8}$ "	43'-1"	156	15,661	FIG. 3
WP-26	ONE	10'-7 $\frac{5}{8}$ "	53'-3 $\frac{5}{8}$ "	586	54,381	FIG. 3
WP-27	ONE	5'-2 $\frac{5}{8}$ "	43'-1"	210	21,048	FIG. 3
WP-28	ONE	11'-7 $\frac{5}{8}$ "	43'-1"	501	35,802	FIG. 3
WP-29	ONE	12'-2 $\frac{5}{8}$ "	43'-1"	543	40,054	FIG. 3
WP-30	ONE	11'-7 $\frac{5}{8}$ "	43'-1"	501	35,802	FIG. 3
WP-31	ONE	12'-2 $\frac{5}{8}$ "	43'-1"	543	40,054	FIG. 3
WP-32	ONE	11'-7 $\frac{5}{8}$ "	43'-1"	501	35,802	FIG. 3
WP-33	ONE	12'-2 $\frac{5}{8}$ "	43'-1"	543	40,054	FIG. 3
WP-34	ONE	11'-7 $\frac{5}{8}$ "	43'-1"	501	35,802	FIG. 3
WP-35	ONE	12'-2 $\frac{5}{8}$ "	43'-1"	543	40,054	FIG. 3
WP-36	ONE	5'-6"	43'-1"	236	23,696	FIG. 3
WP-37	ONE	5'-2 $\frac{5}{8}$ "	43'-1"	224	22,481	FIG. 3
WP-38	ONE	11'-7 $\frac{5}{8}$ "	43'-1"	500	35,721	FIG. 3
WP-39	ONE	12'-2 $\frac{5}{8}$ "	43'-1"	526	38,313	FIG. 3
WP-40	ONE	11'-7 $\frac{5}{8}$ "	43'-1"	500	35,721	FIG. 3
WP-41	ONE	11'-7 $\frac{5}{8}$ "	43'-1"	500	35,721	FIG. 3
WP-43	ONE	11'-11 $\frac{5}{8}$ "	48'-5"	579	41,877	FIG. 3
WP-44	ONE	11'-10 $\frac{5}{8}$ "	48'-5"	575	41,472	FIG. 3
WP-45	ONE	6'-5 $\frac{3}{4}$ "	21'-10"	141	14,146	FIG. 2
WP-46	6	3'-3 $\frac{5}{8}$ "	7'-11 $\frac{5}{8}$ "	26	2,631	FIG. 1
WP-48	ONE	11'-3 $\frac{5}{8}$ "	42'-4 $\frac{5}{8}$ "	486	47,914	FIG. 3
WP-49	ONE	11'-3 $\frac{5}{8}$ "	42'-4 $\frac{5}{8}$ "	486	47,914	FIG. 3
WP-50	ONE	3'-7 $\frac{5}{8}$ "	42'-4 $\frac{5}{8}$ "	155	15,338	FIG. 3
WP-51	ONE	11'-3 $\frac{5}{8}$ "	47'-8 $\frac{5}{8}$ "	539	53,932	FIG. 3
WP-52	ONE	11'-3 $\frac{5}{8}$ "	47'-8 $\frac{5}{8}$ "	539	53,932	FIG. 3
WP-53	ONE	3'-7 $\frac{5}{8}$ "	42'-4 $\frac{5}{8}$ "	156	15,408	FIG. 3

8" WALL PANELS						
MARK	QTY.	WIDTH	LENGTH	SQ. FT.	WEIGHT	HANDLING
WP-54	ONE	11'-4"	48'-8 $\frac{5}{8}$ "	559	55,225	FIG. 3
WP-55	ONE	3'-6"	48'-8 $\frac{5}{8}$ "	173	17,049	FIG. 3
WP-56	ONE	11'-4"	48'-8 $\frac{5}{8}$ "	559	55,225	FIG. 3
WP-57	ONE	3'-6"	48'-8 $\frac{5}{8}$ "	170	17,048	FIG. 3
WP-58	ONE	6'-11 $\frac{5}{8}$ "	58'-7 $\frac{5}{8}$ "	437	43,903	FIG. 3
WP-59	ONE	10'-7 $\frac{5}{8}$ "	58'-7 $\frac{5}{8}$ "	475	46,778	FIG. 3
WP-60	ONE	6'-11 $\frac{5}{8}$ "	58'-7 $\frac{5}{8}$ "	439	43,904	FIG. 3
WP-61	ONE	8'-0"	46'-6"	372	26,001	FIG. 3
WP-62	ONE	8'-0"	46'-6"	372	26,001	FIG. 3
WP-63	ONE	8'-0"	46'-6"	372	26,001	FIG. 3
WP-64	ONE	8'-0"	46'-6"	372	26,001	FIG. 3
WP-65	ONE	8'-0"	46'-6"	372	26,001	FIG. 3
WP-66	ONE	8'-0"	46'-6"	372	26,001	FIG. 3
WP-67	ONE	8'-0"	46'-6"	372	26,001	FIG. 3
WP-68	ONE	8'-0"	46'-6"	372	26,001	FIG. 3
WP-69	ONE	11'-11 $\frac{1}{2}$ "	46'-6"	556	48,692	FIG. 3
WP-70	ONE	11'-11 $\frac{1}{2}$ "	46'-6"	556	48,692	FIG. 3
WP-71	ONE	11'-11 $\frac{1}{2}$ "	46'-6"	556	48,692	FIG. 3
WP-72	ONE	11'-11 $\frac{1}{2}$ "	46'-6"	556	48,692	FIG. 3
TOTAL:	77					

6" WALL PANELS						
MARK	QTY.	WIDTH	LENGTH	SQ. FT.	WEIGHT	HANDLING
WP-19	ONE	5'-3"	41'-9"	219	16,439	FIG. 3
WP-42	ONE	5'-3"	41'-9"	219	16,439	FIG. 3
TOTAL:	2					

12" WALL PANELS						
MARK	QTY.	WIDTH	LENGTH	SQ. FT.	WEIGHT	HANDLING
WP-73	ONE	23'-1 $\frac{1}{8}$ "	13'-7"	325	19,660	FIG. 3
WP-74	ONE	23'-1 $\frac{1}{8}$ "	13'-7"	325	19,660	FIG. 3
WP-75	ONE	23'-1 $\frac{1}{8}$ "	13'-7"	325	19,660	FIG. 3
TOTAL:	3					

6" FLAT SLABS						
MARK	QTY.	LENGTH	SQ. FT.	WEIGHT	HANDLING	
FS-07	3	13'-3 $\frac{1}{2}$ "	96	7,186	FIG. 4	
FS-08	ONE	13'-3 $\frac{1}{2}$ "	96	7,186	FIG. 4	
TOTAL:	4					

8" FLAT SLABS						
MARK	QTY.	LENGTH	SQ. FT.	WEIGHT	HANDLING	
FS-09	ONE	10'-11 $\frac{5}{8}$ "	100	10,006	FIG. 4	
FS-10	ONE	24'-6"	97	9,723	FIG. 4	
FS-11	ONE	13'-2"	51	5,046	FIG. 4	
TOTAL:	3					

9" FLAT SLABS						
MARK	QTY.	PLAN LENGTH	SQ. FT.	WEIGHT	HANDLING	
FS-01	ONE	10'-5 $\frac{1}{4}$ "	133	14,962	FIG. 4	
FS-02	ONE	10'-5 $\frac{1}{4}$ "	133	14,962	FIG. 4	
FS-03	4	21'-10 $\frac{1}{2}$ "	274	30,844	FIG. 4	
FS-04	4	21'-10 $\frac{1}{2}$ "	274	30,844	FIG. 4	
FS-05	3	21'-10 $\frac{1}{2}$ "	274	30,844	FIG. 4	
FS-06	3	21'-10 $\frac{1}{2}$ "	274	30,844	FIG. 4	
TOTAL:	16					

12DT24					
MARK	QTY.	PLAN LENGTH	WEIGHT	HANDLING	
DT-01	3	47'-5 $\frac{1}{2}$ "	27,787	FIG. 4	
DT-01A	ONE	47'-5 $\frac{1}{2}$ "	27,787	FIG. 4	
DT-02	4	47'-5 $\frac{1}{2}$ "	27,787	FIG. 4	
DT-03	4	48'-6 $\frac{1}{2}$ "	28,372	FIG. 4	
DT-04	3	48'-6 $\frac{1}{2}$ "	28,372	FIG. 4	
DT-04A	ONE	48'-6 $\frac{1}{2}$ "	28,372	FIG. 4	
DT-05	3	48'-6 $\frac{1}{2}$ "	28,372	FIG. 4	
DT-06	4	48'-6 $\frac{1}{2}$ "	28,372	FIG. 4	
DT-07	4	48'-6 $\frac{1}{2}$ "	28,372	FIG. 4	
DT-08	3	48'-3 $\frac{3}{4}$ "	27,495	FIG. 4	
DT-08A	ONE	48'-3 $\frac{3}{4}$ "	27,495	FIG. 4	
DT-20	ONE	48'-6 $\frac{1}{2}$ "	27,495	FIG. 4	
TOTAL:	32				

12DT28					
MARK	QTY.	PLAN LENGTH	WEIGHT	HANDLING	
DT-09	4	52'-4 $\frac{1}{4}$ "		FIG. 4	
DT-10	4	60'-2 $\frac{1}{2}$ "	38,383	FIG. 4	
DT-11	14	60'-2 $\frac{1}{2}$ "	38,383	FIG. 4	
DT-11A	14	60'-2 $\frac{1}{2}$ "	38,383	FIG. 4	
DT-12	7	60'-2 $\frac{1}{2}$ "	38,383	FIG. 4	
DT-13	8	60'-2 $\frac{1}{2}$ "	37,092	FIG. 4	
DT-14	3	60'-2 $\frac{1}{2}$ "	37,092	FIG. 4	
DT-15	3	60'-2 $\frac{1}{2}$ "	38,383	FIG. 4	
DT-16	ONE	60'-2 $\frac{1}{2}$ "	38,383	FIG. 4	
DT-17	2	59'-10 $\frac{1}{2}$ "	38,383	FIG. 4	
DT-17A	2	59'-10 $\frac{1}{2}$ "	38,383	FIG. 4	
DT-18	ONE	59'-10 $\frac{1}{2}$ "	38,383	FIG. 4	
DT-19	ONE	60'-2 $\frac{1}{2}$ "	38,383	FIG. 4	
TOTAL:	64				

24"x16" PRECAST COLUMNS				
MARK	QTY.	LENGTH	WEIGHT	HANDLING
CL-01	ONE	48'-4"	19,334	FIG. 4
CL-02	ONE	48'-4"	19,334	FIG. 4
CL-03	ONE	49'-4"	19,733	FIG. 4
CL-04	ONE	48'-4"	19,334	FIG. 4
TOTAL:	4			

LEDGER BEAMS				
MARK	QTY.	LENGTH	WEIGHT	HANDLING
LB-01	3	24'-9 $\frac{1}{2}$ "	14,256	FIG. 4
LB-02	3	24'-9 $\frac{1}{2}$ "	12,340	FIG. 4
LB-02A	ONE	24'-9 $\frac{1}{2}$ "	12,340	FIG. 4
LB-03	4	24'-9 $\frac{1}{2}$ "	11,551	FIG. 4
LB-04	4	24'-9 $\frac{1}{2}$ "	13,653	FIG. 4
LB-05	ONE	24'-11 $\frac{1}{4}$ "	17,387	FIG. 4
LB-06	3	12'-0 $\frac{1}{2}$ "	5,224	FIG. 4
LB-07	4	25'-3 $\frac{1}{4}$ "	10,838	FIG. 4
LB-09	ONE	13'-1 $\frac{1}{8}$ "	6,763	FIG. 4
TOTAL:	24			

RECTANGULAR BEAMS				
MARK	QTY.	LENGTH	WEIGHT	HANDLING
RB-01	2	21'-10"	8,733	FIG. 4
RB-01A	ONE	21'-10"	8,733	FIG. 4
RB-02	3	13'-1 $\frac{1}{2}$ "	3,900	FIG. 4
TOTAL:	6			

STAIRS				
MARK	QTY.	LENGTH	WEIGHT	HANDLING
ST-01	3	14'-9"	8,500	FIG. 4
ST-01A	ONE	14'-9"	8,500	FIG. 4
ST-02	ONE	14'-9"	8,500	FIG. 4
ST-03	3	14'-9"	8,500	FIG. 4
ST-04	4	15'-0"	8,000	FIG. 4
ST-05	ONE	15'-0"	8,000	FIG. 4
ST-06	3	15'-0"	8,000	FIG. 4
TOTAL:	16			

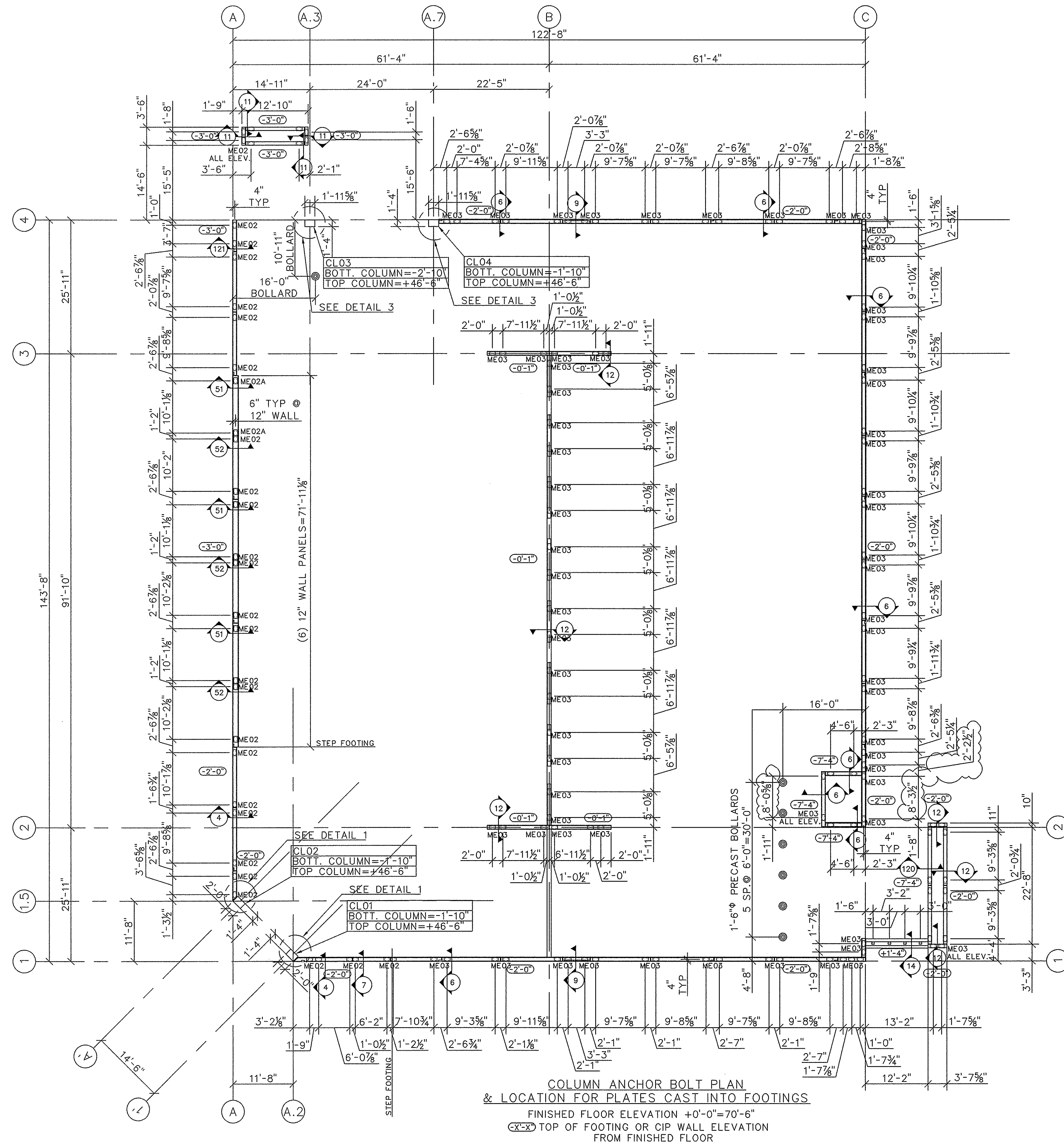


NO.	DATE	REVISION RECORD	BY	SLR
1	01/15/07	SUBMITTED FOR APPROVAL		
2	05/02/07	RELEASED FOR CONSTRUCTION		
3				
4				
5				
6				
7				
8				

FLORENCE CONCRETE PRODUCTS, INC.
ARCHITECTURAL & STRUCTURAL PRECAST CONCRETE
865 INDUSTRIAL ROAD, SUMMER, SC 29150
PHONE: (803) 775-4372 FAX: (803) 775-8569

CUSTOMER: PALMETTO CONSTRUCTION GROUP
PROJECT NAME & ADDRESS: SUMMERVILLE TOWN HALL PARKING GARAGE
SUMMERVILLE, SC
GENERAL INFORMATION
DRAWN BY: SLR (b)
CHECKED BY: (b)
DATE: 01/09/07
SCALE: NONE

SHEET # 2 of 33 PROJECT # 3279
DRAWING NUMBER: F2



COLUMN ANCHOR BOLT PLAN
 & LOCATION FOR PLATES CAST INTO FOOTINGS
 FINISHED FLOOR ELEVATION +0'-0"=70'-6"
 (X-X) TOP OF FOOTING OR CIP WALL ELEVATION
 FROM FINISHED FLOOR

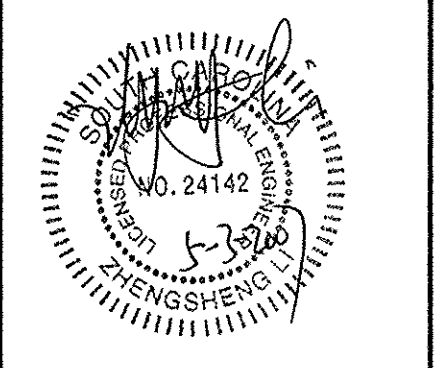
NOTES:

- PANEL JOINTS MAY CHANGE SLIGHTLY DUE TO THE LAYOUT OF THE BRICK.
- ELEVATIONS SHOWN ARE TOP OF TOPPING UNO.
- BOLLARDS ARE SUPPLIED BY FCP AND INSTALLED BY GC.
- WARPING OF DT FOR DRAINAGE MAY CAUSE CRACKING AND UNEVENNESS IN THE DT FLANGE.
- FIELD DRILLING FOR GUARDRAILS, HANDRAILS, FENCES OR CANOPIES IS NOT BY FCP.
- CONTRACTOR TO PROVIDE STEEL NOSING FOR STAIRS.
- CHORD REINFORCEMENT IN TOPPING IS PROVIDED BY FCP AND INSTALLED BY THE GENERAL CONTRACTOR.

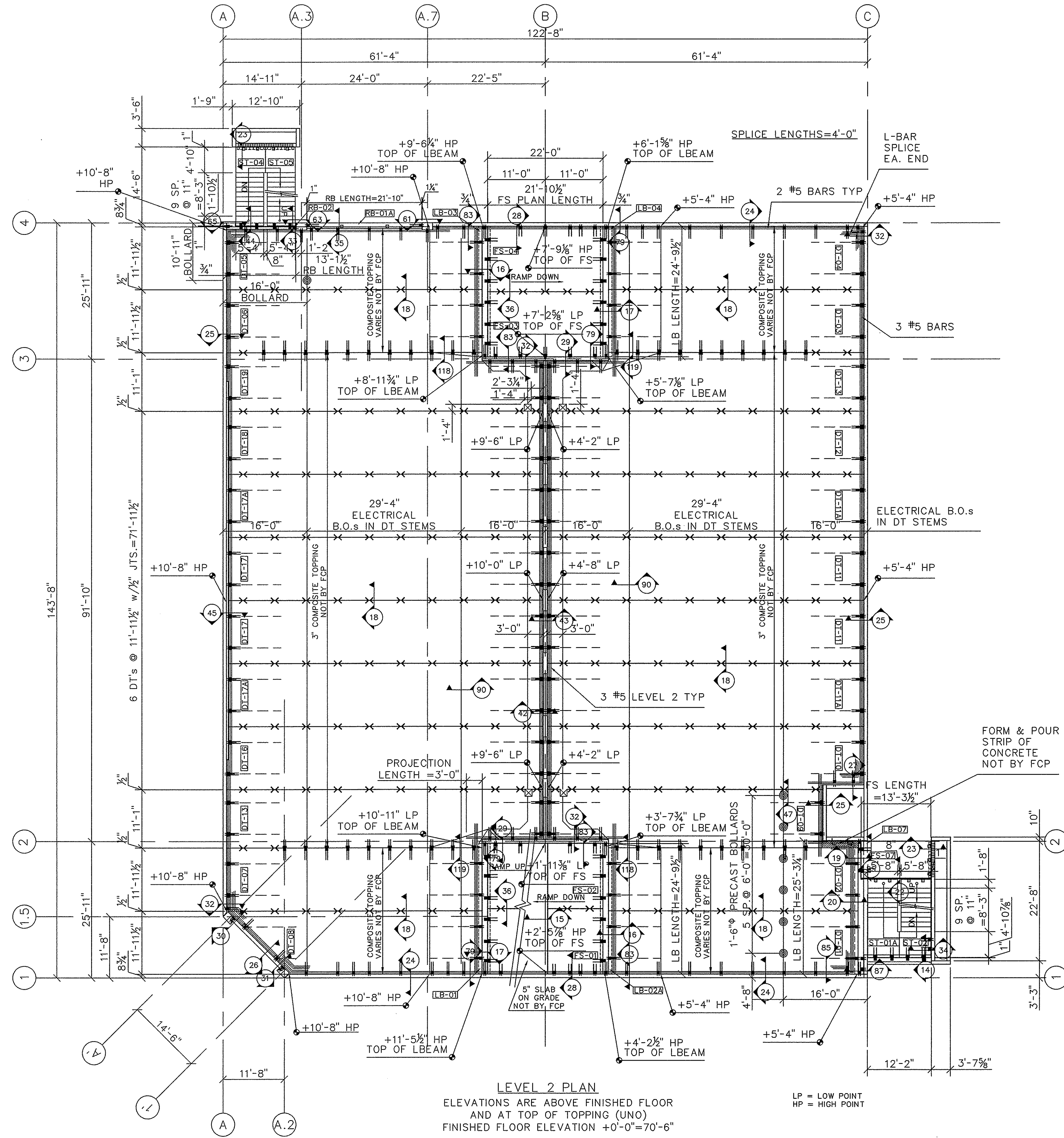


NO.	DATE	REVISION RECORD
1	01/15/07	SUBMITTED FOR APPROVAL
2	05/02/07	RELEASED FOR CONSTRUCTION
3		
4		
5		
6		
7		
8		

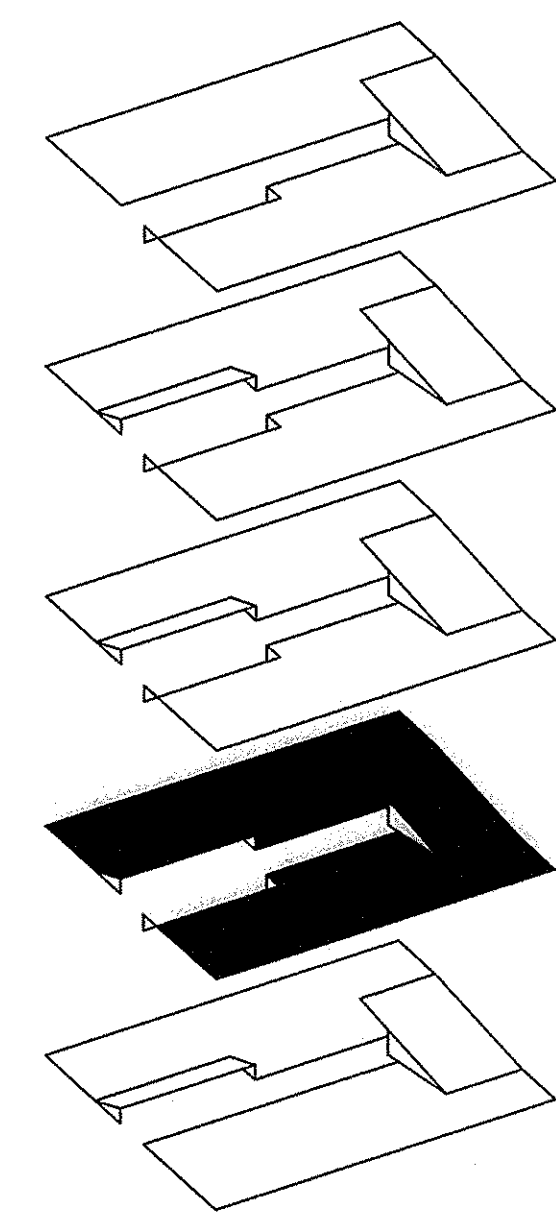
FLORENCE CONCRETE PRODUCTS, INC.
 ARCHITECTURAL & STRUCTURAL PRECAST CONCRETE
 865 INDUSTRIAL ROAD, SUMTER, SC 29150
 PHONE: (803) 775-4372 FAX: (803) 775-8569



CUSTOMER	PALMETTO CONSTRUCTION GROUP
PROJECT NAME & ADDRESS	SUMMERVILLE TOWN HALL PARKING GARAGE SUMMERVILLE, SC COLUMN ANCHOR BOLT PLAN & LOCATION FOR PLATES CAST INTO FTG.
DRAWN BY:	PHK
CHECKED BY:	PHK
DATE:	01/02/06
SCALE:	3/32"=1'-0"
SHEET #	3 of 33
PROJECT #	3279
DRAWING NUMBER:	F3



- NOTES:
1. PANEL JOINTS MAY CHANGE SLIGHTLY DUE TO THE LAYOUT OF THE BRICK.
 2. ELEVATIONS SHOWN ARE TOP OF TOPPING UNO.
 3. BOLLARDS ARE SUPPLIED BY FCP AND INSTALLED BY GC.
 4. WARPING OF DT FOR DRAINAGE MAY CAUSE CRACKING AND UNEVENNESS IN THE DT FLANGE.
 5. FIELD DRILLING FOR GUARDRAILS, HANDRAILS, FENCES OR CANOPIES IS NOT BY FCP.
 6. CONTRACTOR TO PROVIDE STEEL NOSING FOR STAIRS.
 7. CHORD REINFORCEMENT IN TOPPING IS PROVIDED BY FCP AND INSTALLED BY THE GENERAL CONTRACTOR.

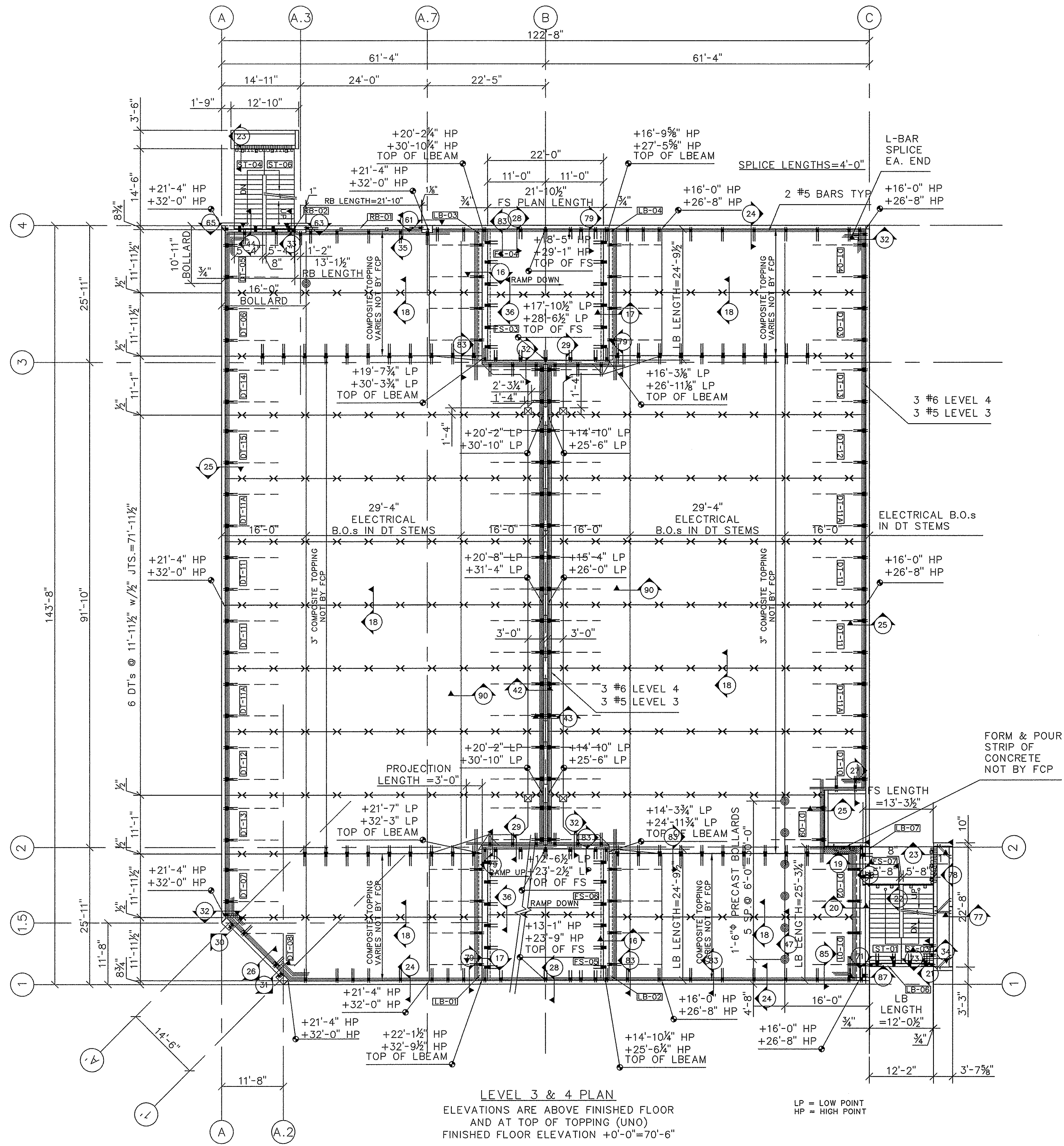


BY		REVISION RECORD	NO.	DATE
PHK		SUBMITTED FOR APPROVAL	1	01/15/07
SLR		RELEASED FOR CONSTRUCTION	2	05/02/07
			3	
			4	
			5	
			6	
			7	
			8	

FLORENCE CONCRETE PRODUCTS, INC.
 ARCHITECTURAL & STRUCTURAL PRECAST CONCRETE
 865 INDUSTRIAL ROAD, SUMMER, SC 29150
 PHONE: (803) 775-4372 FAX: (803) 775-8569

PALMETTO CONSTRUCTION GROUP
 PROJECT NAME & ADDRESS:
 SUMMERVILLE TOWN HALL PARKING GARAGE
 SUMMERVILLE, SC
 PLAN VIEW LEVEL 2
 DRAWN BY: PHK
 CHECKED BY: lb
 DATE: 01/02/06
 SCALE: 3/32"=1'-0"

CUSTOMER PO#
 SHEET # 4 of 33
 PROJECT # 3279
 DRAWING NUMBER: F4



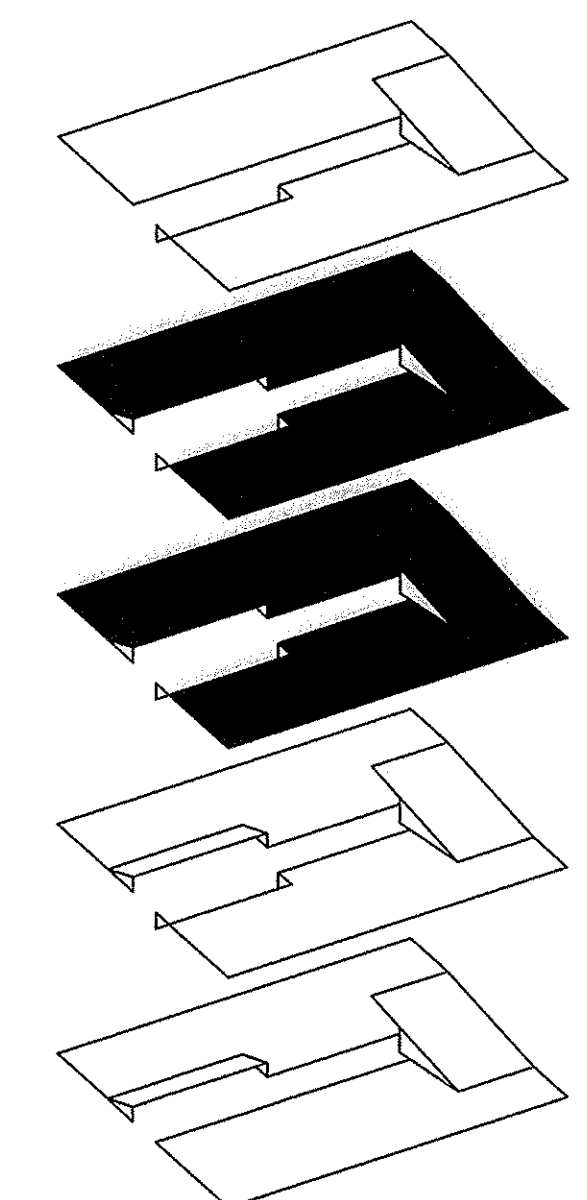
LEVEL 3 & 4 PLAN
 ELEVATIONS ARE ABOVE FINISHED FLOOR
 AND AT TOP OF TOPPING (UNO)
 FINISHED FLOOR ELEVATION +0'-0"=70'-6"

LP = LOW POINT
 HP = HIGH POINT

NOTES:

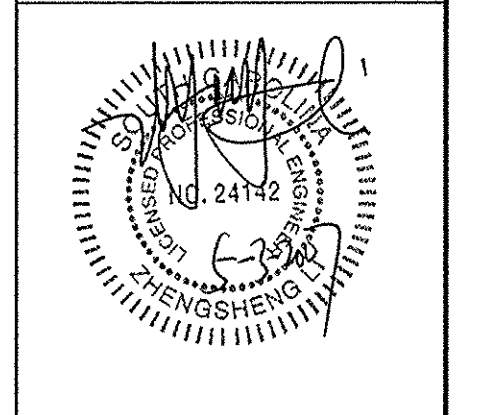
- PANEL JOINTS MAY CHANGE SLIGHTLY DUE TO THE LAYOUT OF THE BRICK.
- ELEVATIONS SHOWN ARE TOP OF TOPPING UNO.
- BOLLARDS ARE SUPPLIED BY FCP AND INSTALLED BY GC.
- WARPING OF DT FOR DRAINAGE MAY CAUSE CRACKING AND UNEVENNESS IN THE DT FLANGE.
- FIELD DRILLING FOR GUARDRAILS, HANDRAILS, FENCES OR CANOPIES IS NOT BY FCP.
- CONTRACTOR TO PROVIDE STEEL NOSING FOR STAIRS.
- CHORD REINFORCEMENT IN TOPPING IS PROVIDED BY FCP AND INSTALLED BY THE GENERAL CONTRACTOR.

RELEASED FOR
 CONSTRUCTION
 MAY 07 2007

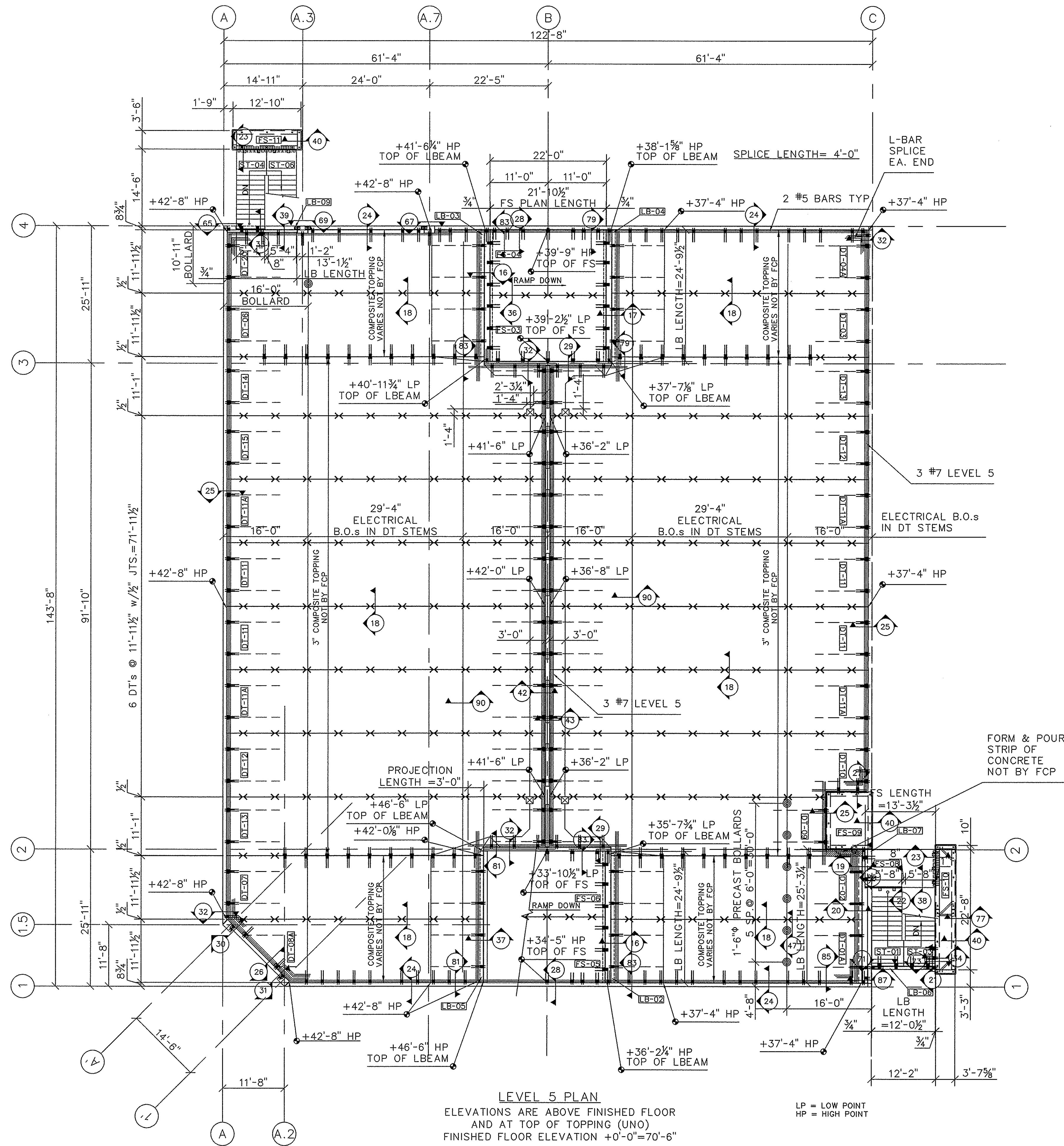


NO.	DATE	REVISION RECORD
1	07/15/07	SUBMITTED FOR APPROVAL
2	05/02/07	RELEASED FOR CONSTRUCTION
3		
4		
5		
6		
7		
8		

FLORENCE CONCRETE PRODUCTS, INC.
 ARCHITECTURAL & STRUCTURAL PRECAST CONCRETE
 865 INDUSTRIAL ROAD, SUMTER, SC 29150
 PHONE: (803) 775-4372 FAX: (803) 775-8569



CUSTOMER:	PALMETTO CONSTRUCTION GROUP
PROJECT NAME & ADDRESS:	SUMMERVILLE TOWN HALL PARKING GARAGE SUMMERVILLE, SC SUMMERVILLE, SC
DRAWN BY:	PHK
CHECKED BY:	PHK
DATE:	01/02/06
SCALE:	3/32"=1'-0"
SHEET #:	5 OF 33
PROJECT #:	3279
DRAWING NUMBER:	F5



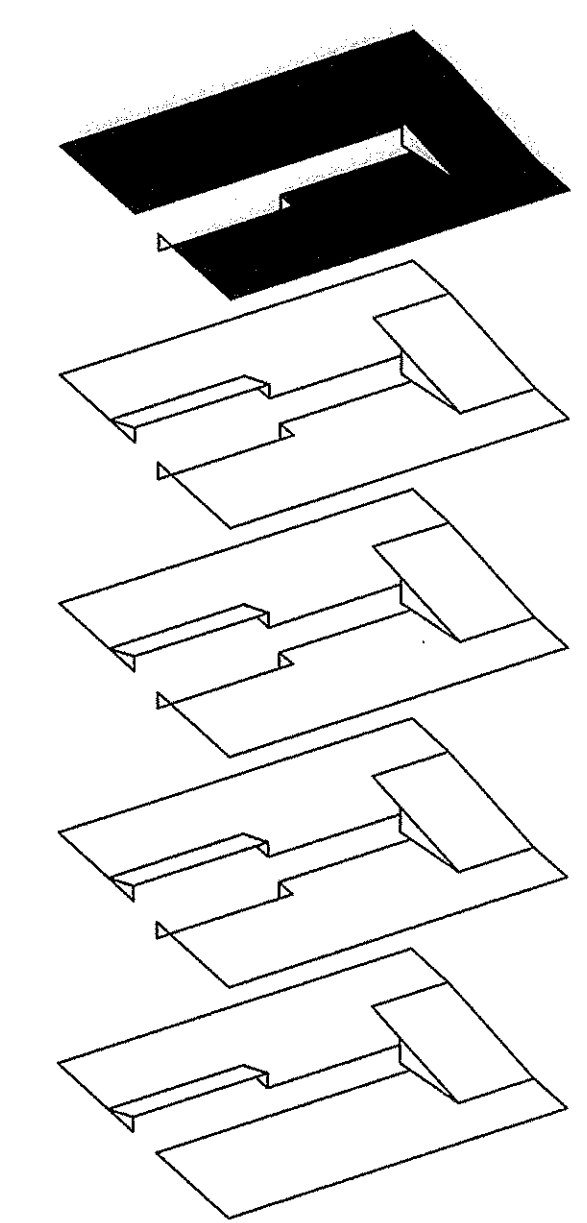
LEVEL 5 PLAN
 ELEVATIONS ARE ABOVE FINISHED FLOOR
 AND AT TOP OF TOPPING (UNO)
 FINISHED FLOOR ELEVATION +0'-0"=70'-6"

LP = LOW POINT
 HP = HIGH POINT

NOTES:

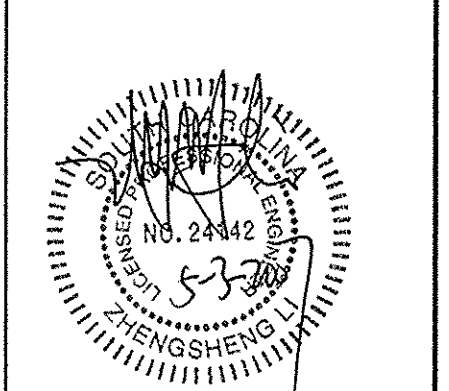
1. PANEL JOINTS MAY CHANGE SLIGHTLY DUE TO THE LAYOUT OF THE BRICK.
2. ELEVATIONS SHOWN ARE TOP OF TOPPING UNO.
3. BOLLARDS ARE SUPPLIED BY FCP AND INSTALLED BY GC.
4. WARPING OF DT FOR DRAINAGE MAY CAUSE CRACKING AND UNEVENNESS IN THE DT FLANGE.
5. FIELD DRILLING FOR GUARDRAILS, HANDRAILS, FENCES OR CANOPIES IS NOT BY FCP.
6. CONTRACTOR TO PROVIDE STEEL NOSING FOR STAIRS.
7. CHORD REINFORCEMENT IN TOPPING IS PROVIDED BY FCP AND INSTALLED BY THE GENERAL CONTRACTOR.

RELEASED FOR
 CONSTRUCTION
 MAY 07 2007

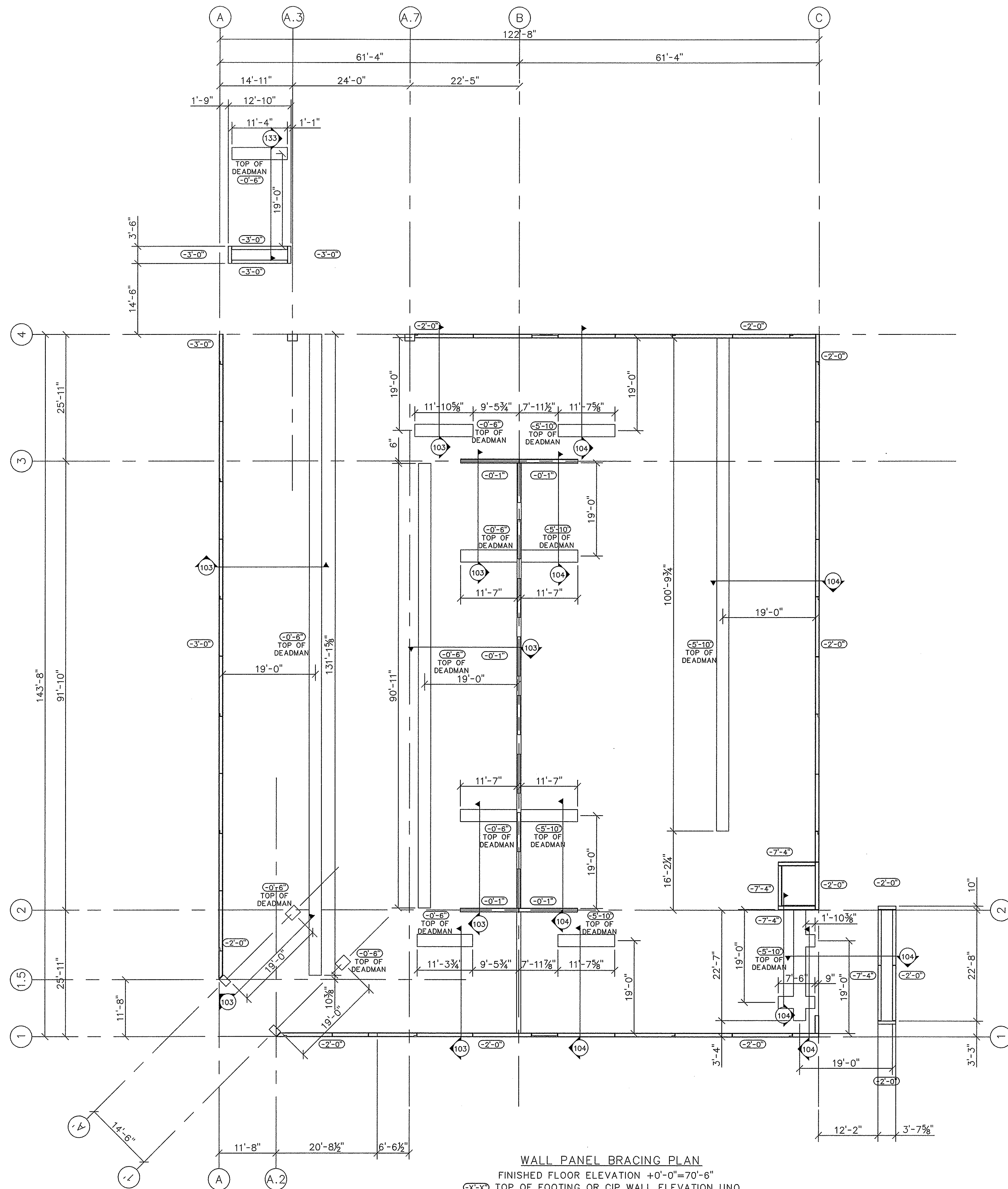


NO.	DATE	REVISION RECORD
1	07/15/07	SUBMITTED FOR APPROVAL
2	05/02/07	RELEASED FOR CONSTRUCTION
3		
4		
5		
6		
7		
8		

FLORENCE CONCRETE PRODUCTS, INC.
ARCHITECTURAL & STRUCTURAL PRECAST CONCRETE
 865 INDUSTRIAL ROAD, SUMMER, SC 29150
 PHONE: (803) 775-4372 FAX: (803) 775-8569



CUSTOMER:	PALMETTO CONSTRUCTION GROUP	DATE:	01/02/06	SCALE:	3/32"=1'-0"
PROJECT NAME & ADDRESS:	SUMMERVILLE TOWN HALL PARKING GARAGE SUMMERVILLE, SC	CHECKED BY:	PKH	DRAWN BY:	PKH
PROJECT #:	3279	CUSTOMER PO#:			
SHEET #:	6 of 33				
DRAWING NUMBER:					



WALL PANEL BRACING PLAN
 FINISHED FLOOR ELEVATION +0'-0"=70'-6"
 TOP OF FOOTING OR CIP WALL ELEVATION UNO
 FROM FINISHED FLOOR

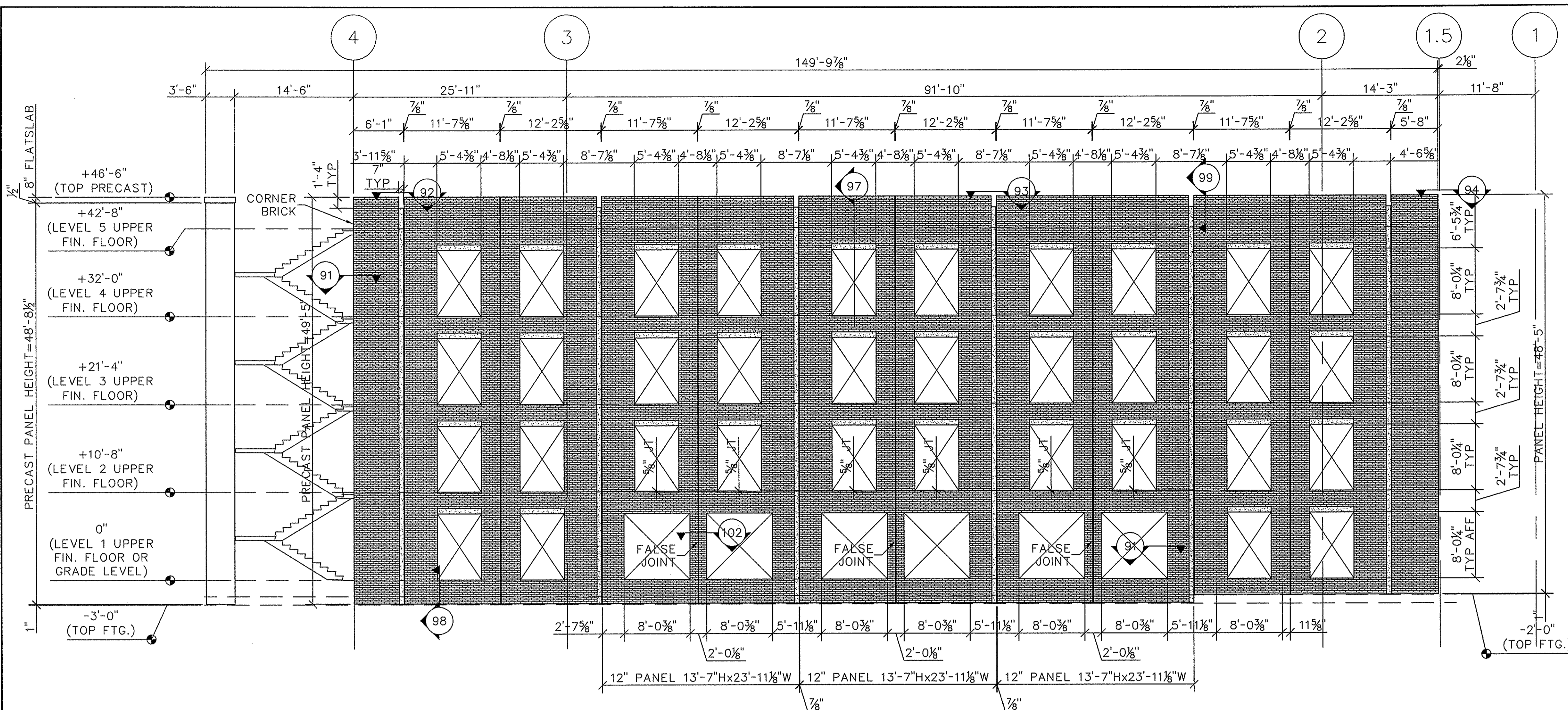
NO.	DATE	REVISION RECORD
1	01/15/07	SUBMITTED FOR APPROVAL
2	05/02/07	RELEASED FOR CONSTRUCTION
3		
4		
5		
6		
7		
8		

FLORENCE CONCRETE PRODUCTS, INC.
 ARCHITECTURAL & STRUCTURAL PRECAST CONCRETE
 885 INDUSTRIAL ROAD, SUMTER, SC 29150
 PHONE: (803) 775-4372 FAX: (803) 775-8569

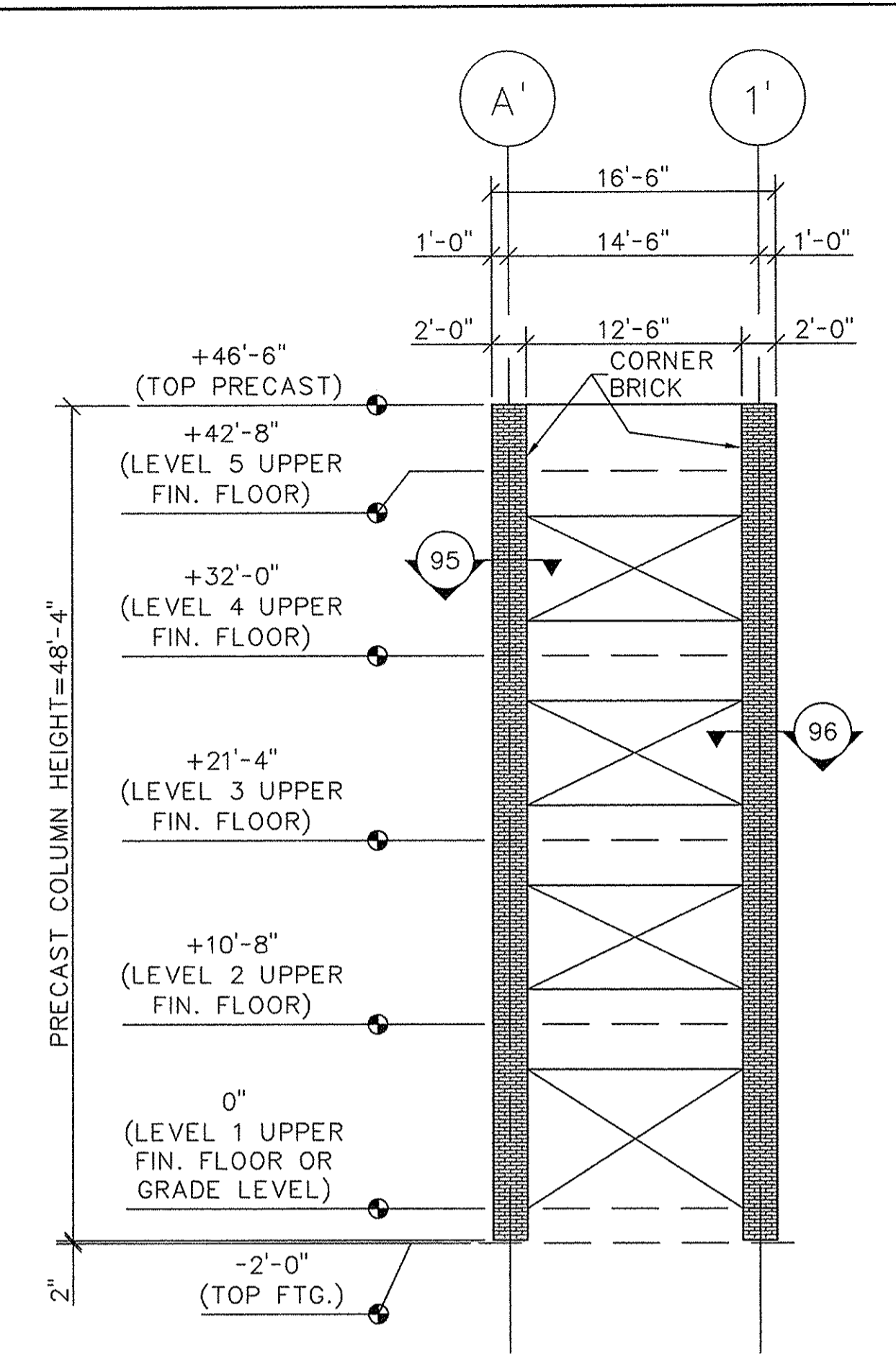


RELEASED FOR
 CONSTRUCTION
 MAY 07 2007

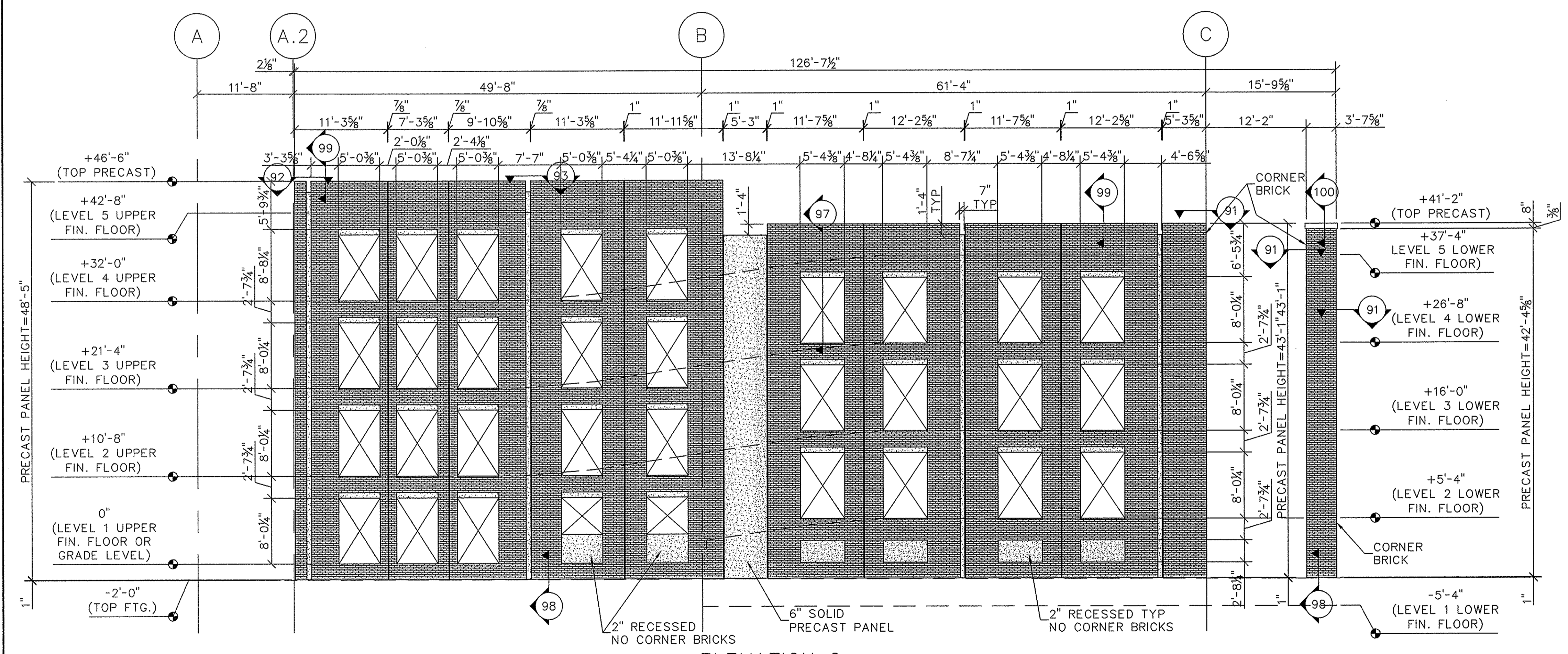
CUSTOMER:	PALMETTO CONSTRUCTION GROUP	DRAWN BY:	PHK	CHECKED BY:	PHK	DATE:	01/02/06	SCALE:	3/32"=1'-0"
PROJECT NAME & ADDRESS:	SUMMERVILLE TOWN HALL PARKING GARAGE SUMMERVILLE, SC BRACING PLAN	CUSTOMER PO#:							
SHEET #	7 of 33	PROJECT #	3279						
DRAWING NUMBER:	F7								



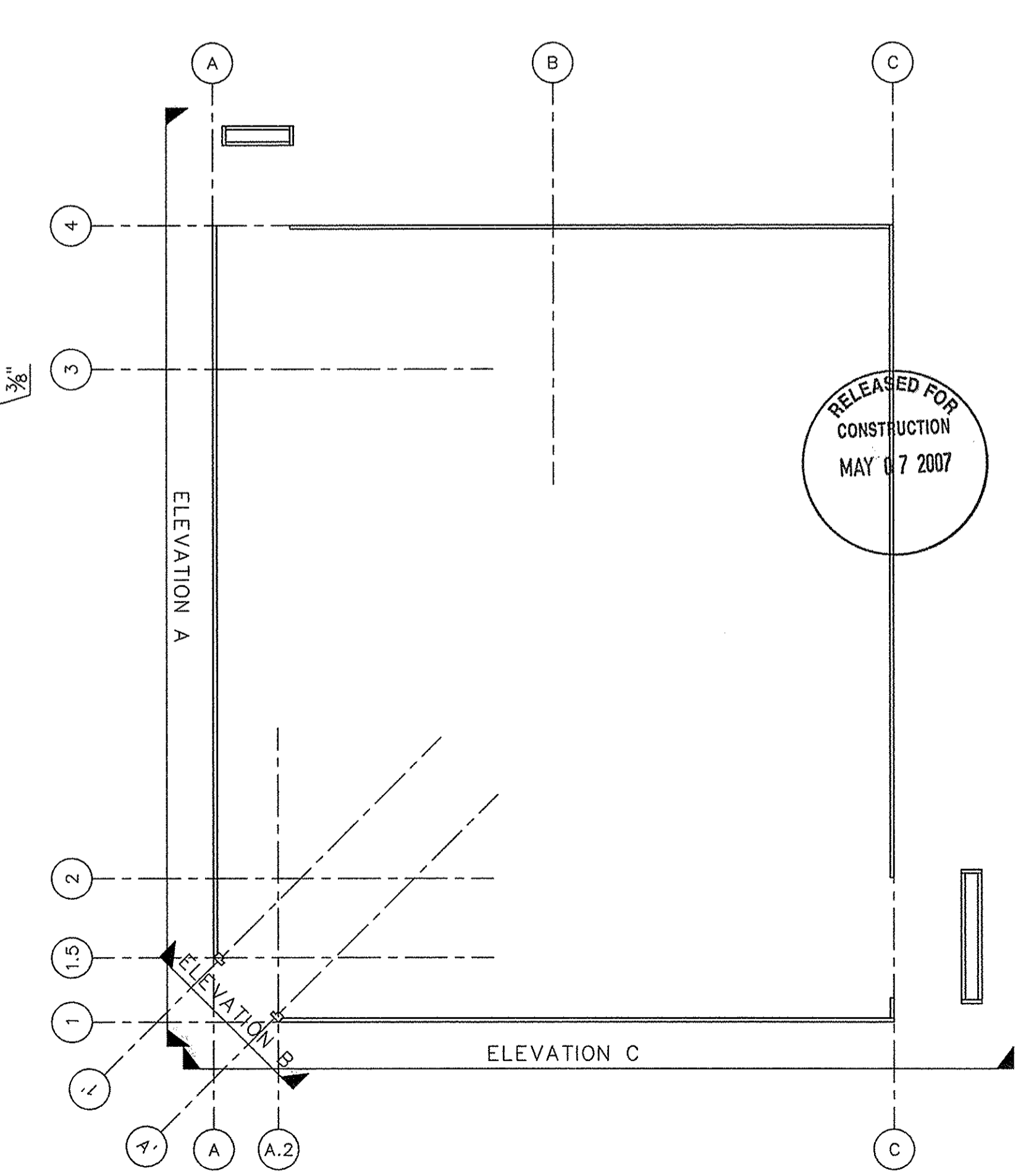
ELEVATION A
 8" SOLID PRECAST WALL PANELS
 FIN. FLOOR ELEVATION 0'-0"=70'-6"



ELEVATION B
 PRECAST COLUMNS 16"x24"
 FIN. FLOOR ELEVATION 0'-0"=70'-6"



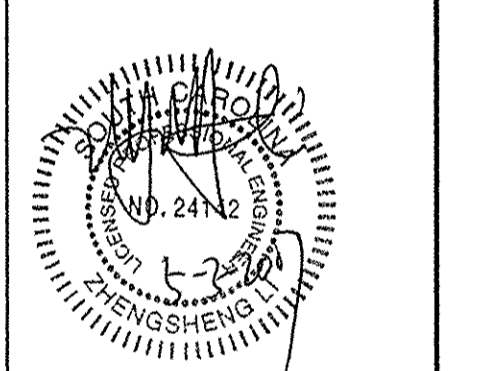
ELEVATION C
 8" SOLID PRECAST WALL PANELS
 (1) 6" PRECAST SOLID WALL PANEL
 FIN. FLOOR ELEVATION 0'-0"=70'-6"



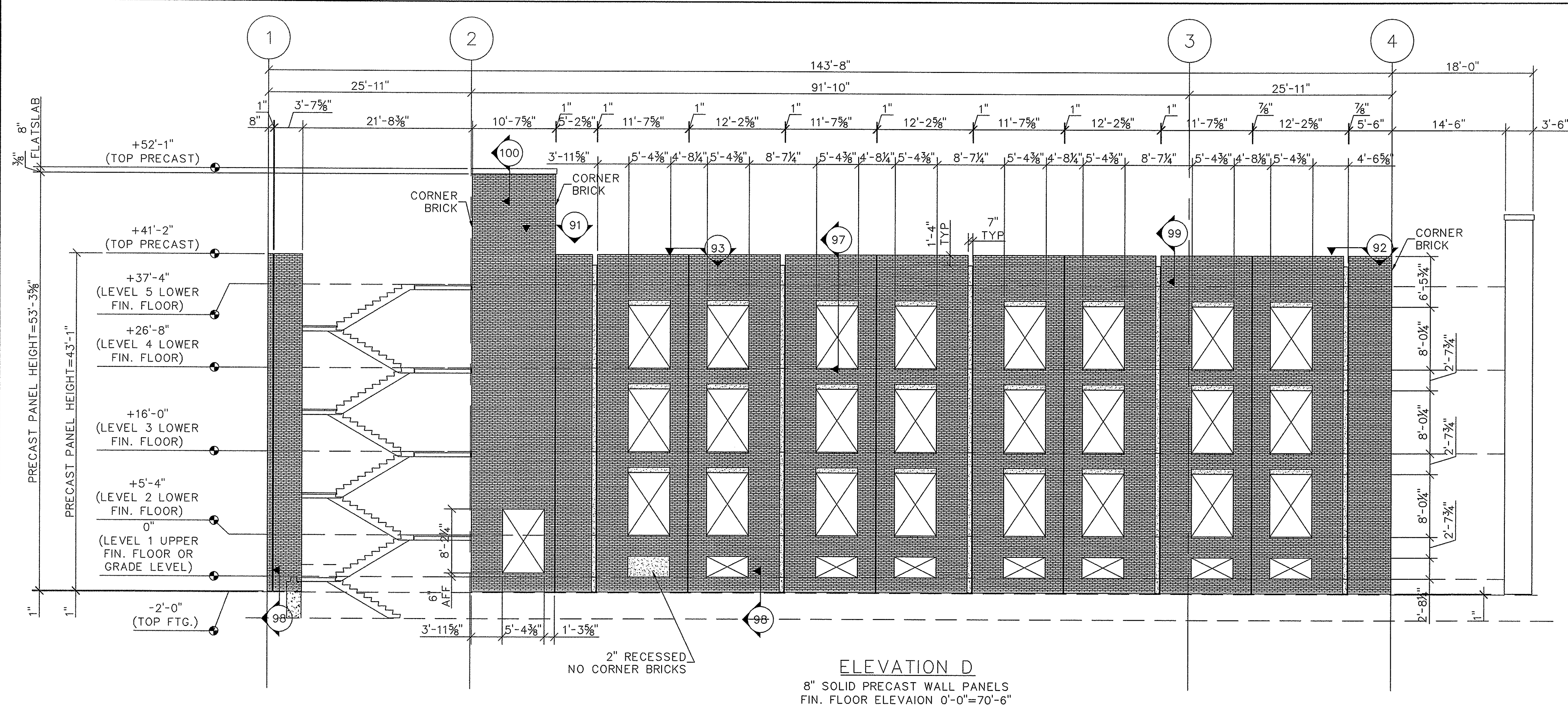
RELEASED FOR CONSTRUCTION
 MAY 07 2007

NO.	DATE	REVISION RECORD
1	01/15/07	SUBMITTED FOR APPROVAL
2	05/02/07	RELEASED FOR CONSTRUCTION
3		
4		
5		
6		
7		
8		

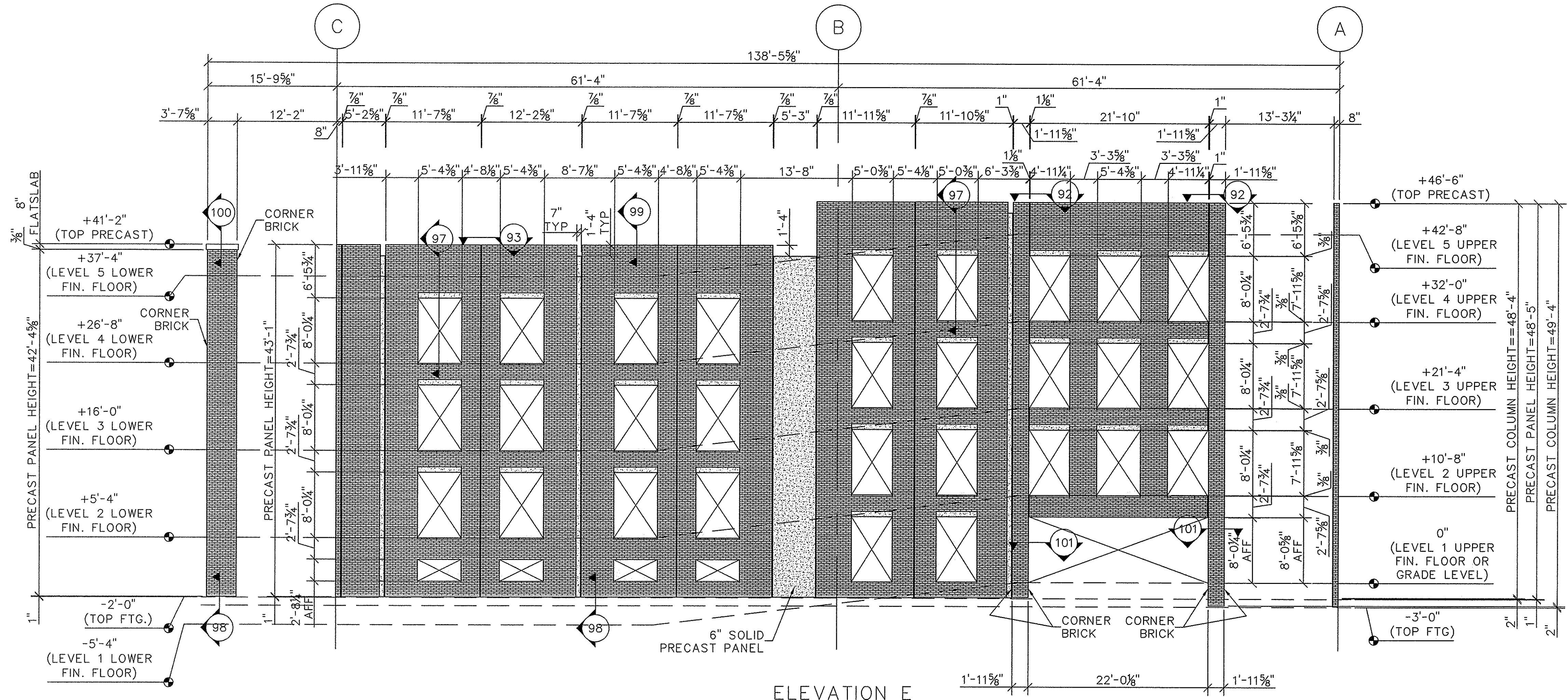
FLORENCE CONCRETE PRODUCTS, INC.
 ARCHITECTURAL & STRUCTURAL PRECAST CONCRETE
 865 INDUSTRIAL ROAD, SUMNER, SC 29150
 PHONE: (803) 775-4372 FAX: (803) 775-8569



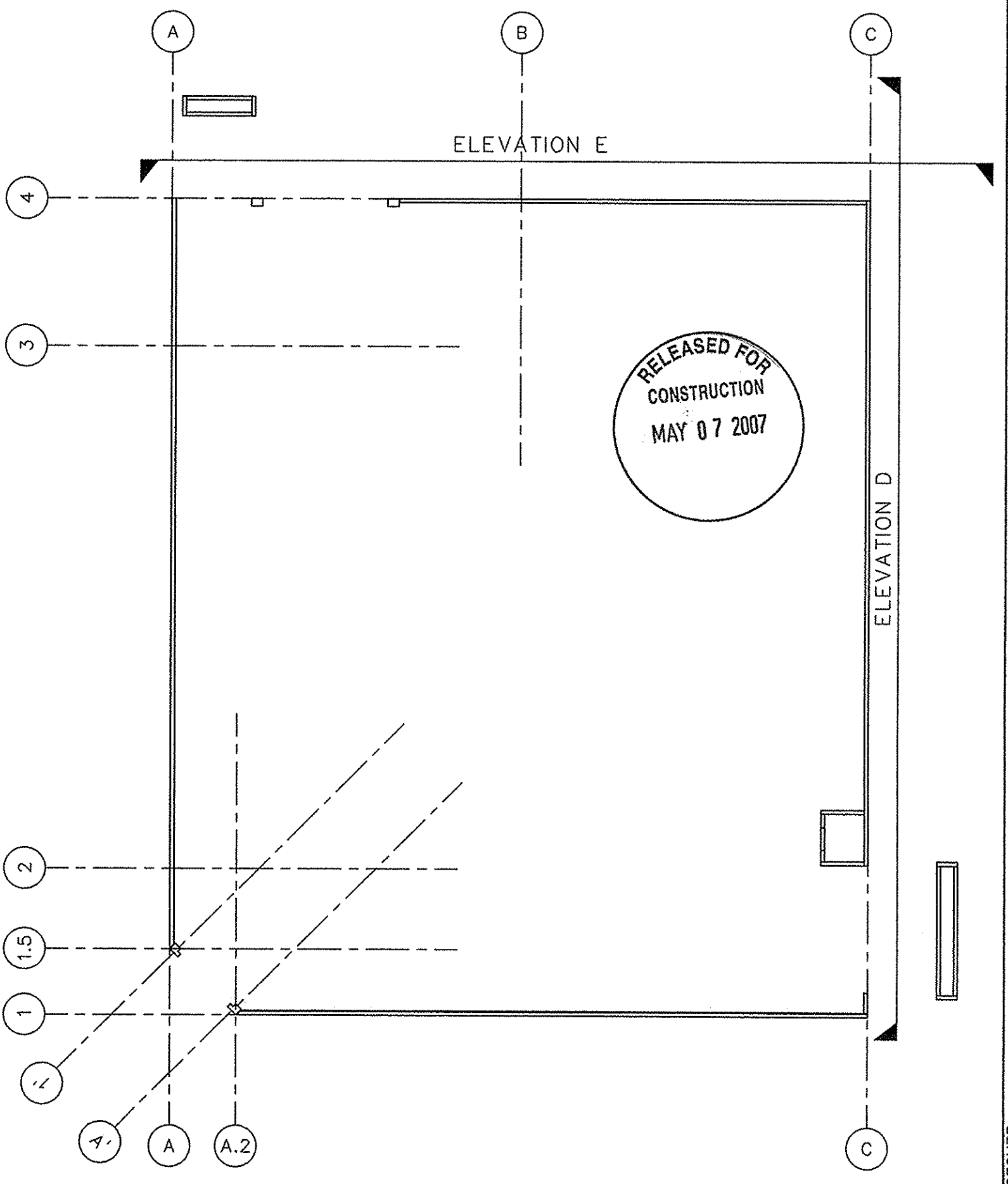
CUSTOMER:	PROJECT NAME & ADDRESS:	CHECKED BY:	DATE:	SCALE:
	SUMMERVILLE TOWN HALL PARKING GARAGE SUMMERVILLE, SC BRICKED ELEVATIONS A, B & C	SLR	01/15/07	1/8"=1'-0"
SHEET #:	PROJECT #:			
8 of 33	3279			
DRAWING NUMBER: F8				



ELEVATION D
8" SOLID PRECAST WALL PANELS
FIN. FLOOR ELEVATION 0'-0"=70'-6"

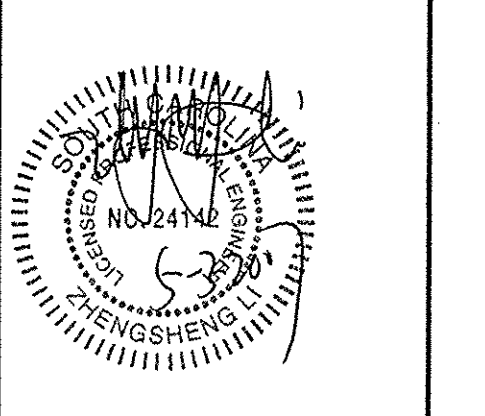


ELEVATION E
8" SOLID PRECAST WALL PANELS
(1) 6" SOLID PRECAST WALL PANEL
16"x24" PRECAST COLUMNS
FIN. FLOOR ELEVATION 0'-0"=70'-6"

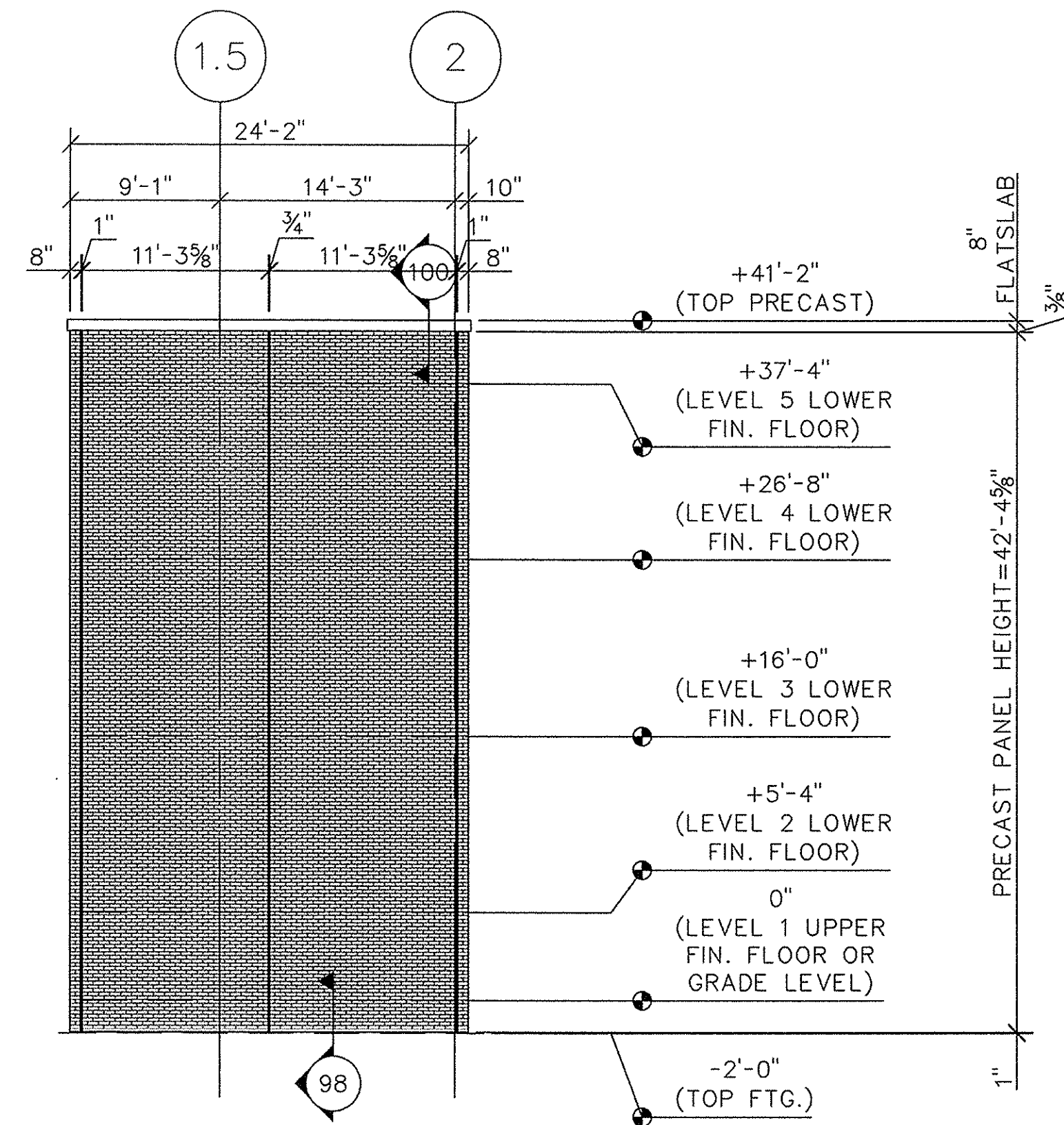


NO.	DATE	REVISION RECORD
1	01/15/07	SUBMITTED FOR APPROVAL
2	05/02/07	RELEASED FOR CONSTRUCTION
3		
4		
5		
6		
7		
8		

FLORENCE CONCRETE PRODUCTS, INC.
ARCHITECTURAL & STRUCTURAL PRECAST CONCRETE
865 INDUSTRIAL ROAD, SUMTER, SC 29150
PHONE: (803) 775-4372 FAX: (803) 775-8569

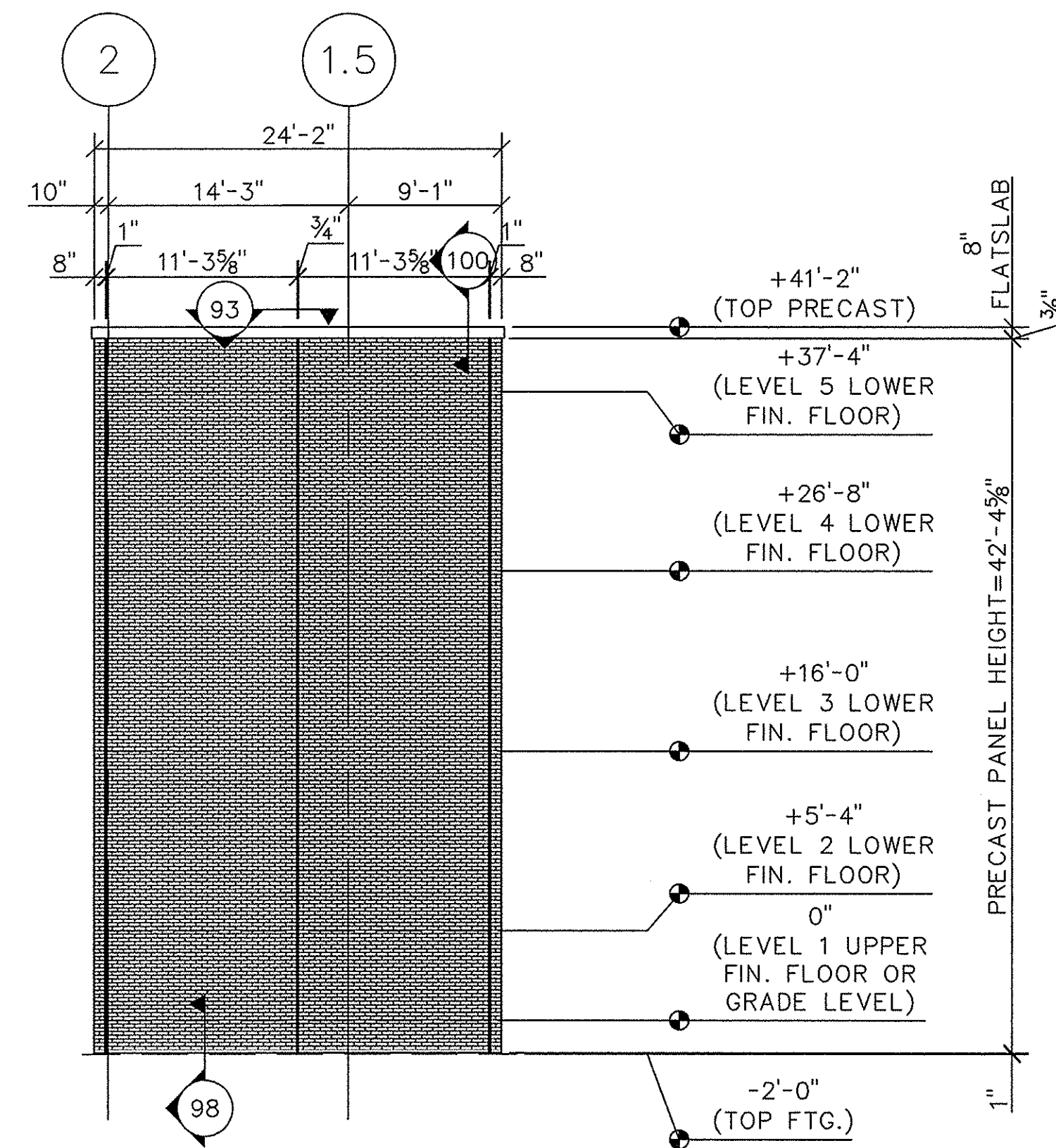


CUSTOMER: SUMMERVILLE TOWN HALL PARKING GARAGE
SUMMERVILLE, SC
BRICKED ELEVATIONS D & E
DRAWN BY: SLR
CHECKED BY: [Signature]
DATE: 01/15/07
SCALE: 1/8"=1'-0"
SHEET #: 9 of 33
PROJECT #: 3279
DRAWING NUMBER: E9



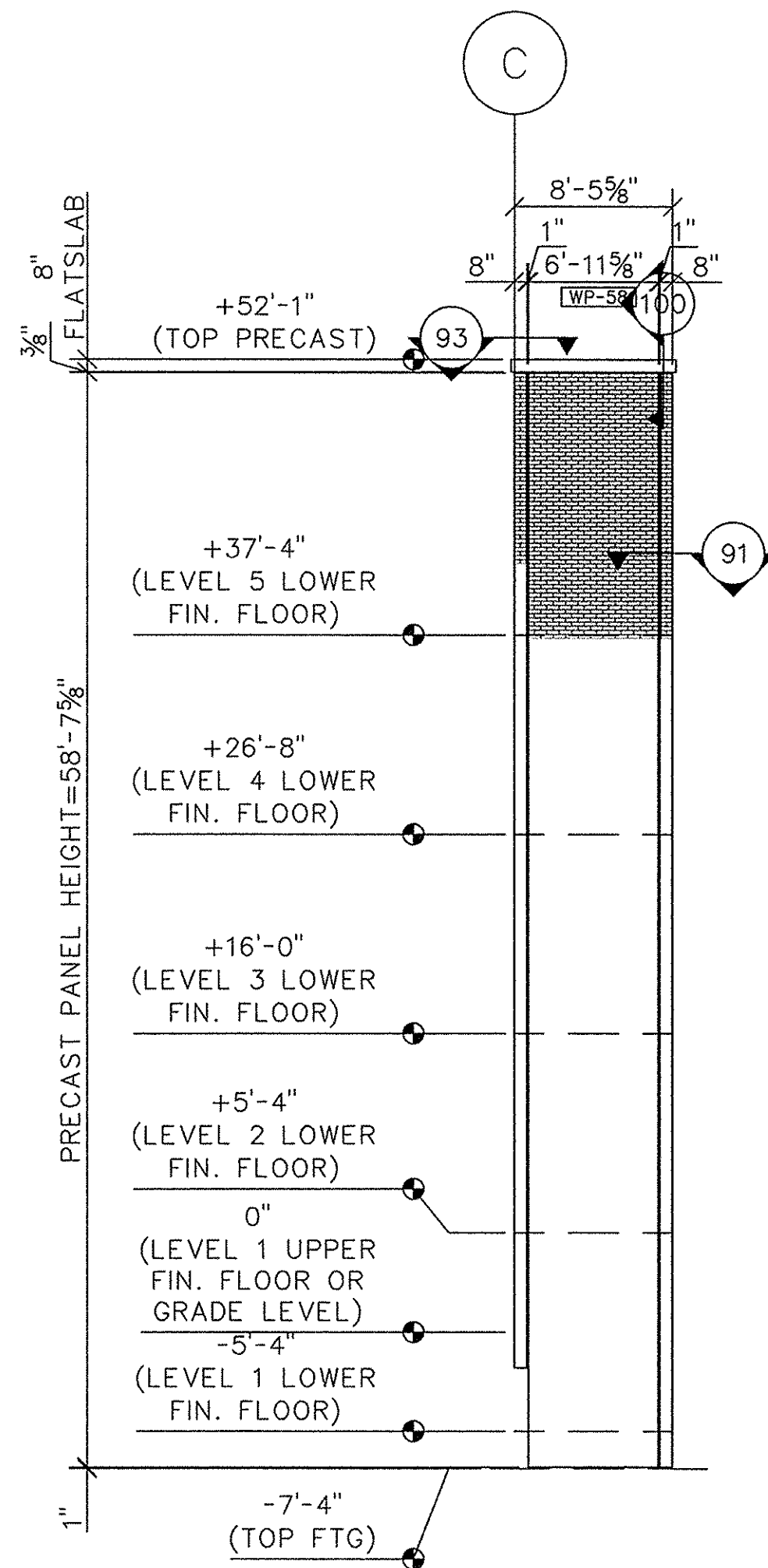
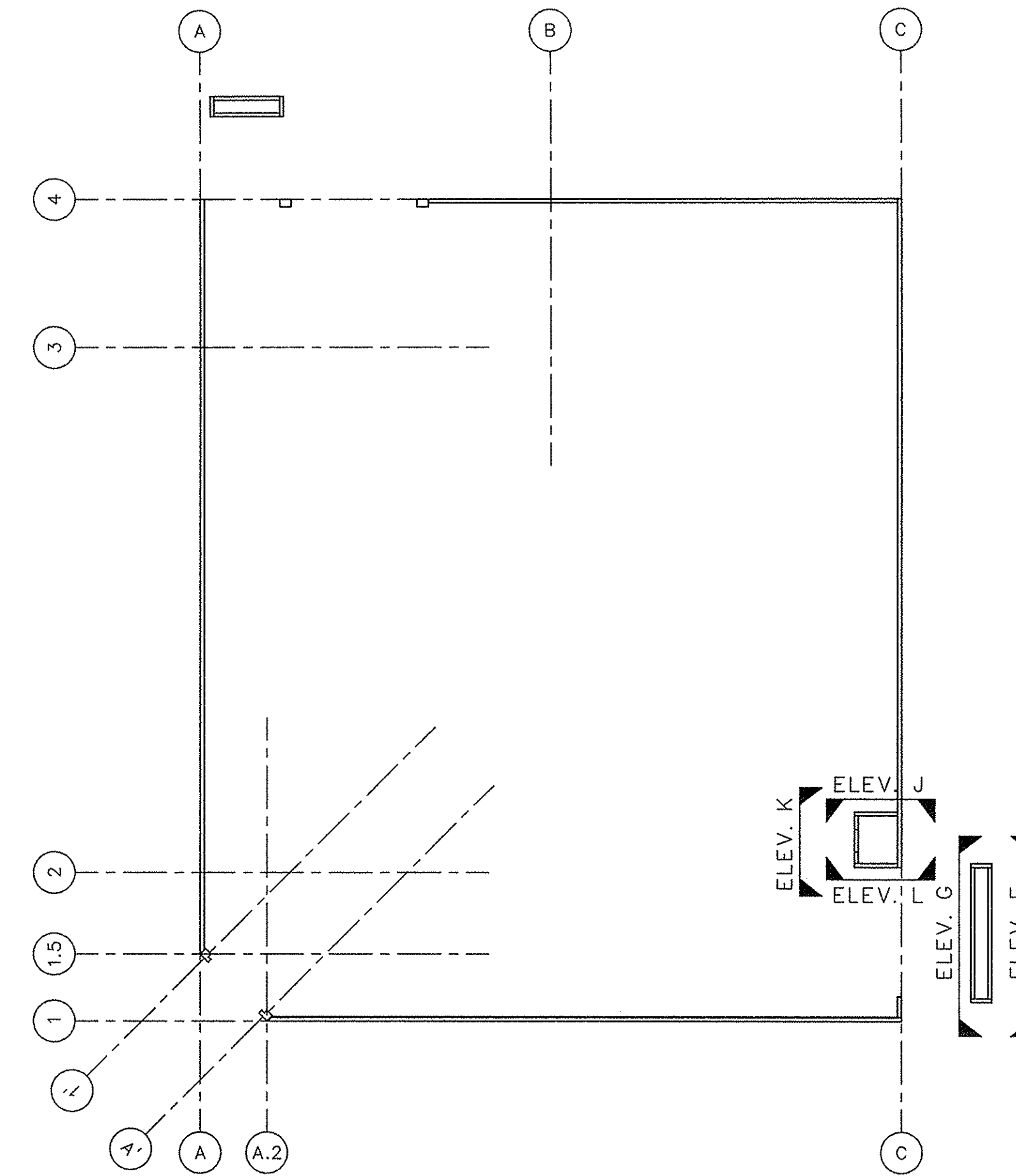
ELEVATION F

8" SOLID PRECAST WALL PANELS
FIN. FLOOR ELEVATION 0'-0"=70'-6"



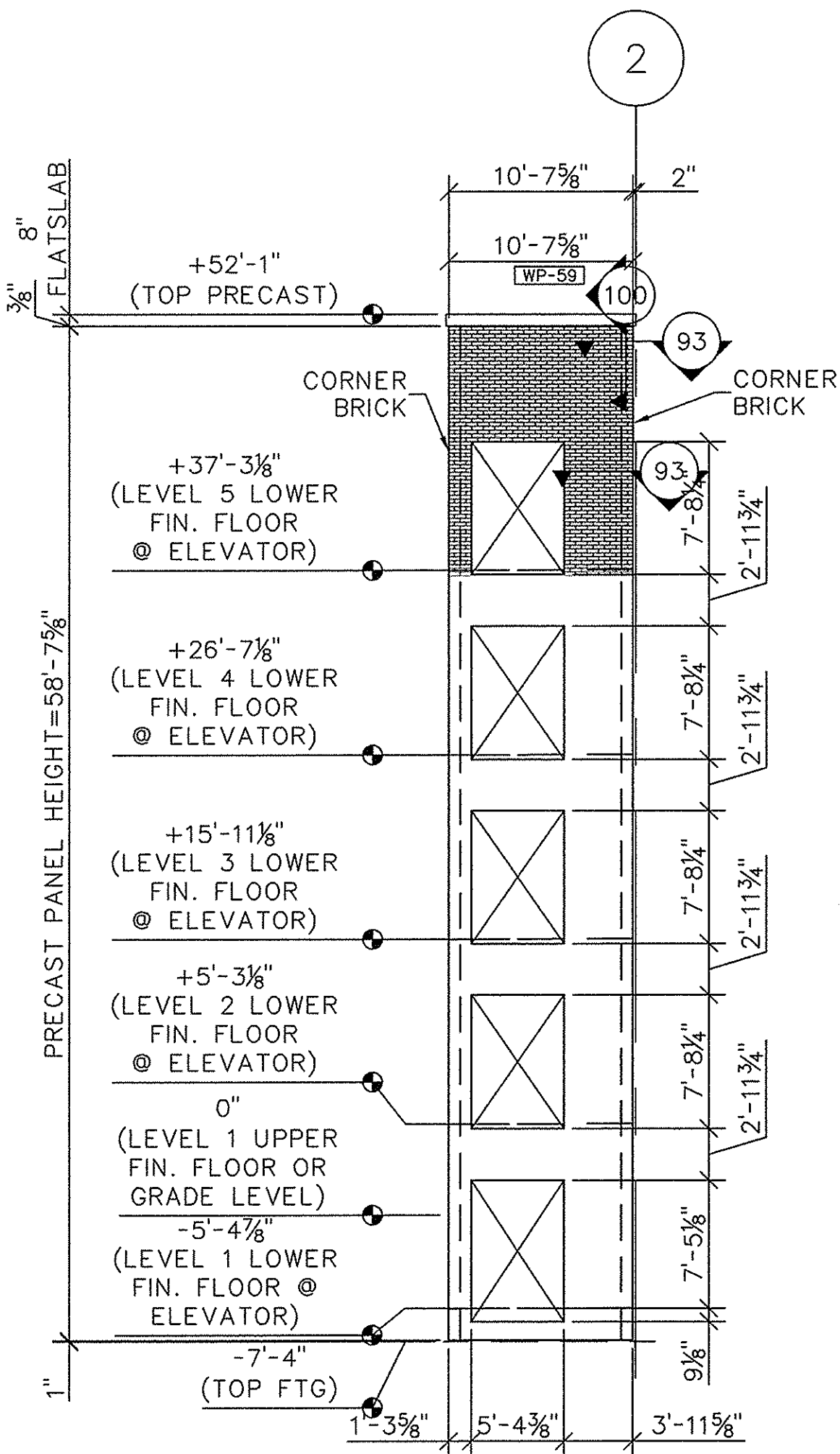
ELEVATION G

8" SOLID PRECAST WALL PANELS
FIN. FLOOR ELEVATION 0'-0"=70'-6"



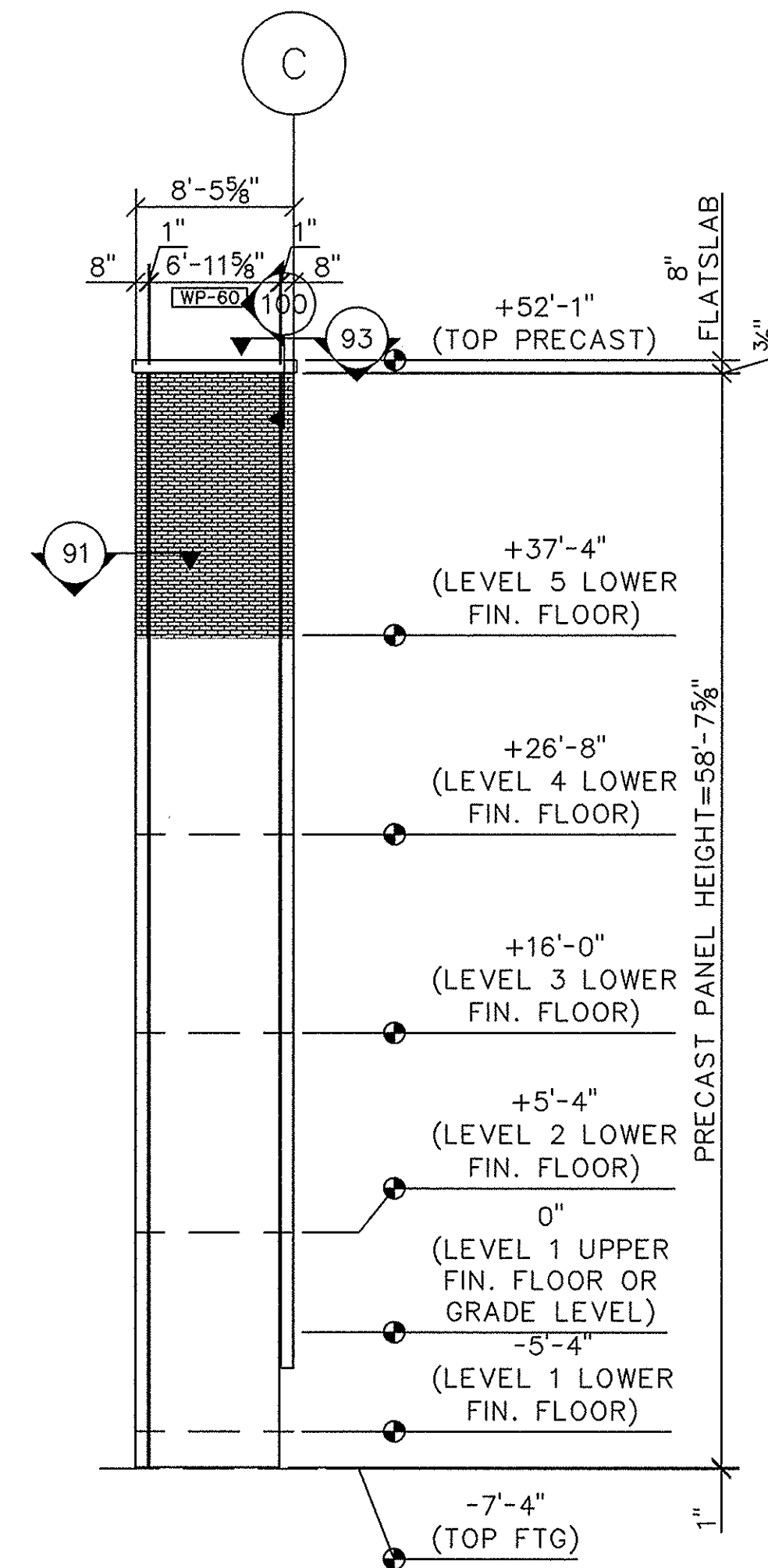
ELEVATION J

8" SOLID PRECAST WALL PANELS
FIN. FLOOR ELEVATION 0'-0"=70'-6"



ELEVATION K

8" SOLID PRECAST WALL PANELS
FIN. FLOOR ELEVATION 0'-0"=70'-6"



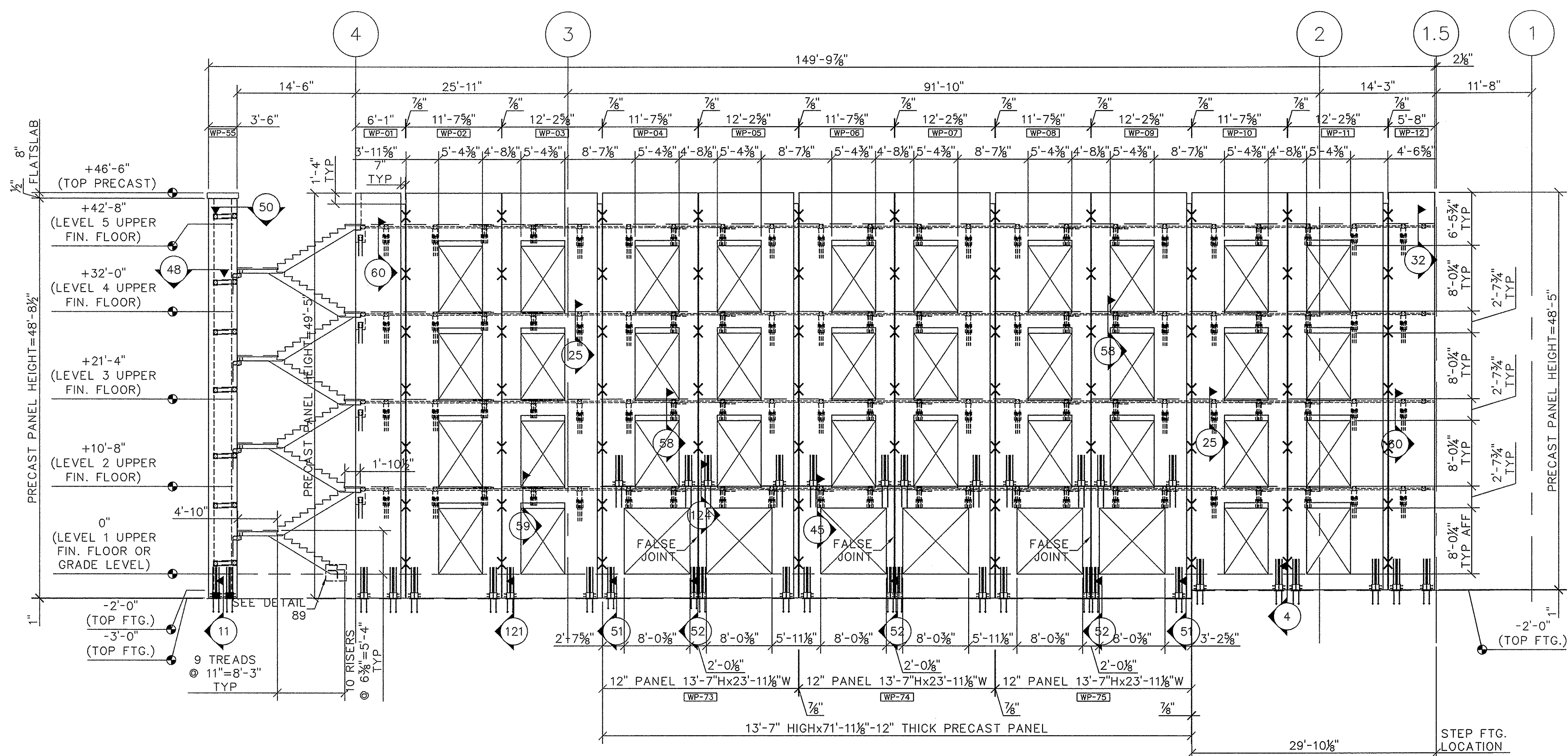
ELEVATION L

8" SOLID PRECAST WALL PANELS
FIN. FLOOR ELEVATION 0'-0"=70'-6"

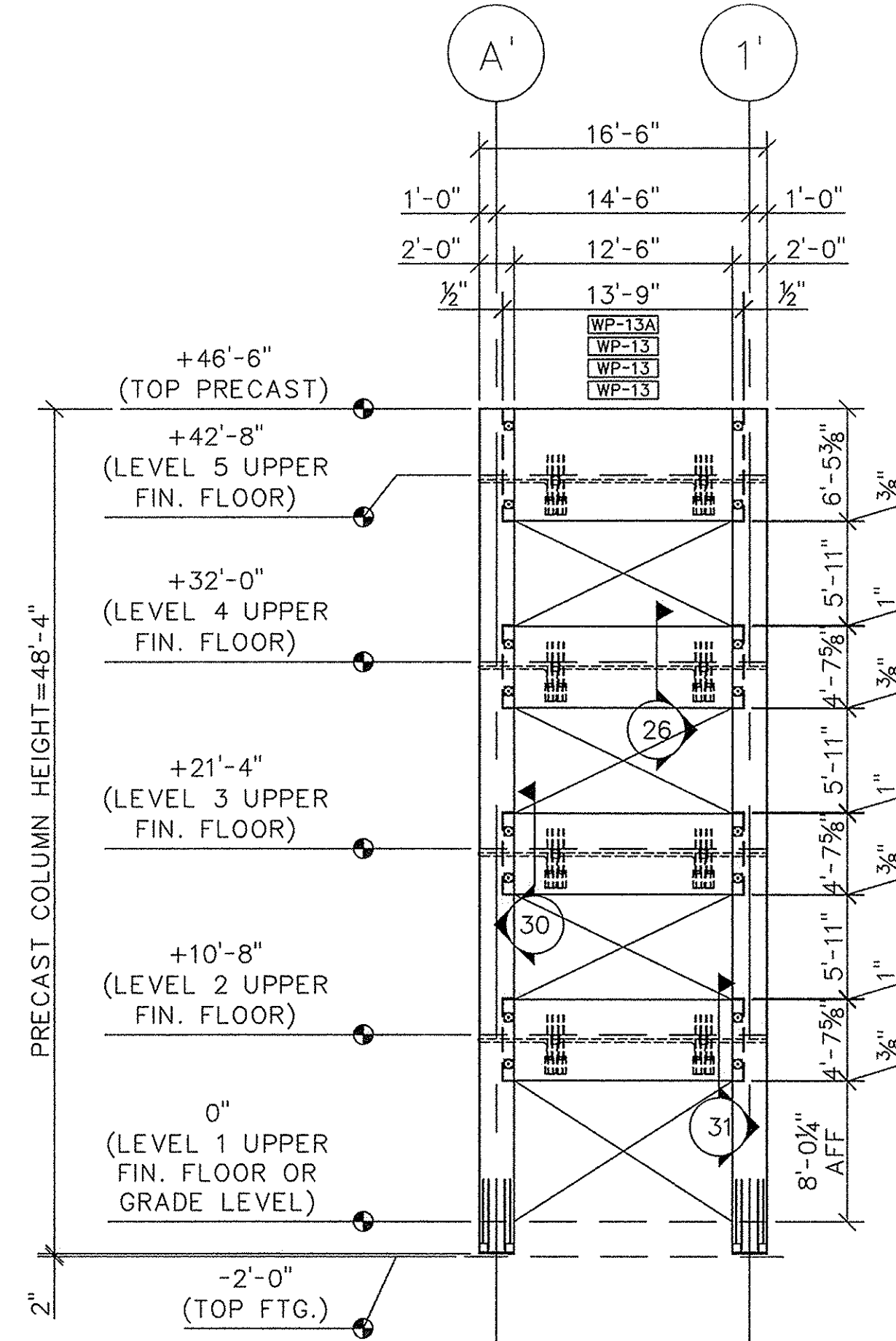


REVISION RECORD		NO.	DATE	DESCRIPTION
1	01/15/07	1	05/02/07	SUBMITTED FOR APPROVAL
2	05/02/07	2		RELEASED FOR CONSTRUCTION
3		3		
4		4		
5		5		
6		6		
7		7		
8		8		

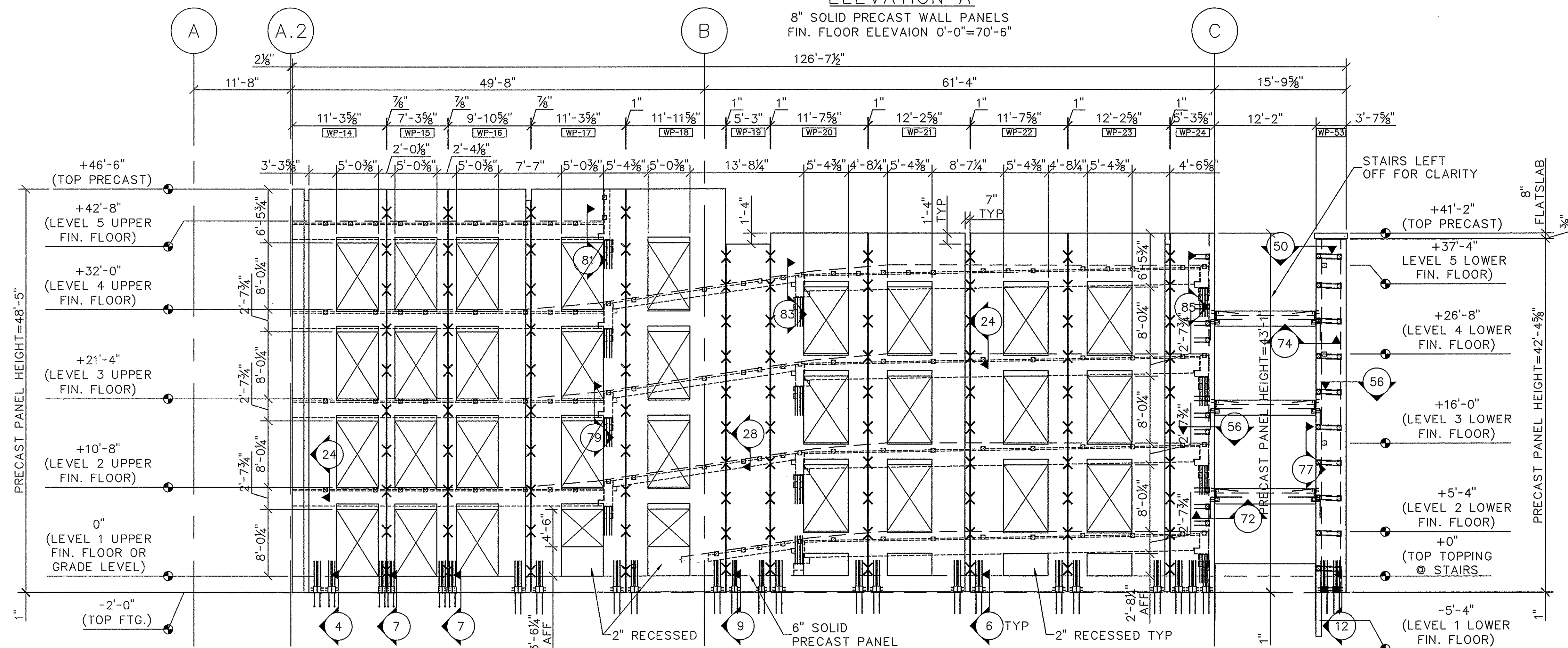
FLORENCE CONCRETE PRODUCTS, INC. ARCHITECTURAL & STRUCTURAL PRECAST CONCRETE 865 INDUSTRIAL ROAD, SUMTER, SC 29150 PHONE: (803) 775-4372 FAX: (803) 775-8569	
CUSTOMER:	SUMMERVILLE TOWN HALL PARKING GARAGE SUMMERVILLE, SC BRICKED ELEVATIONS F, G, J, K & L
DRAWN BY:	SLR
CHECKED BY:	SLR
DATE:	01/15/07
SCALE:	1/8"=1'-0"
SHEET #	10 of 33
PROJECT #	3279
DRAWING NUMBER:	E10



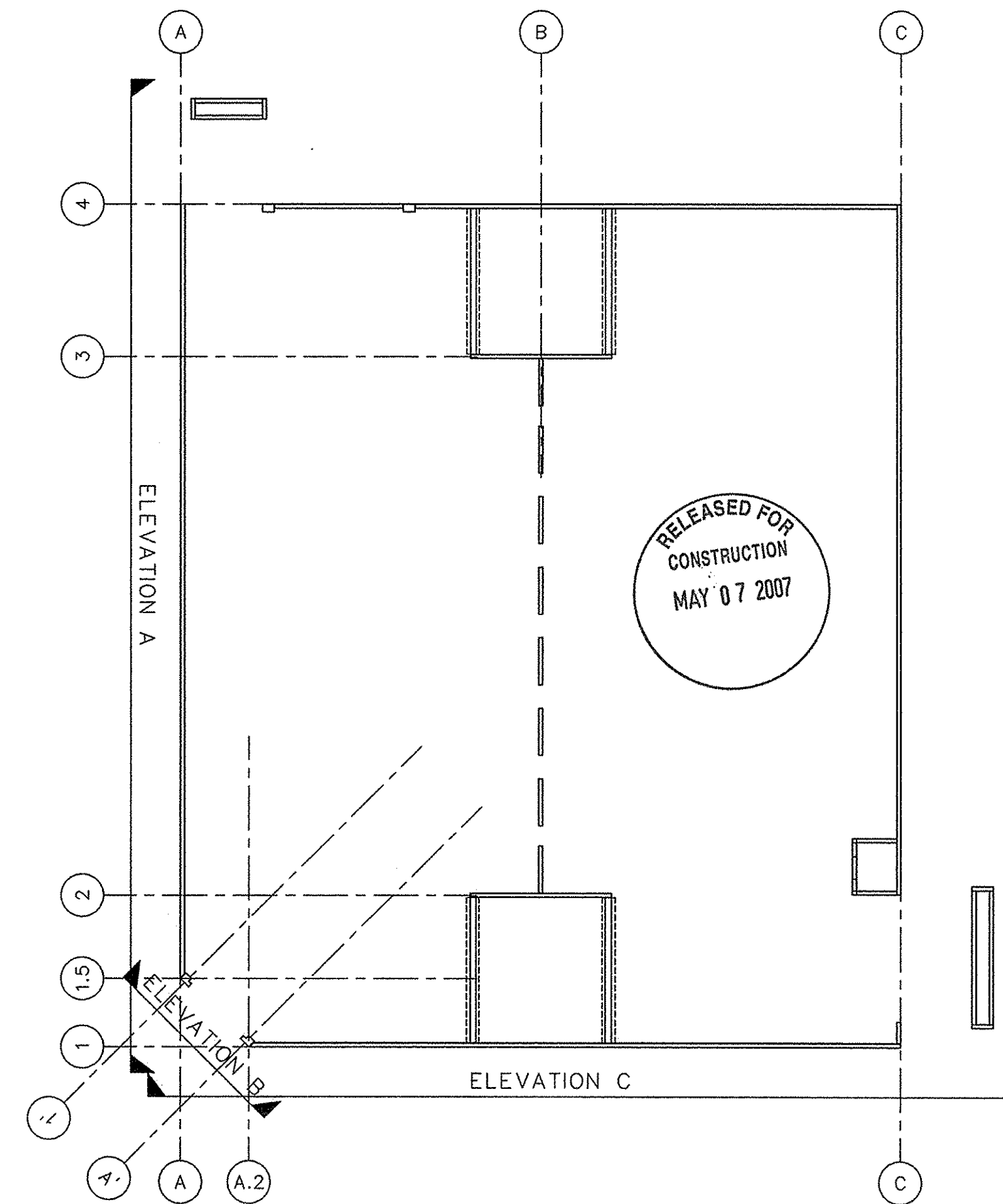
ELEVATION A
8" SOLID PRECAST WALL PANELS
FIN. FLOOR ELEVATION 0'-0"=70'-6"



ELEVATION B
PRECAST COLUMNS 16"x24"
8" SOLID WALL PANELS
FIN. FLOOR ELEVATION 0'-0"=70'-6"



ELEVATION C
8" SOLID PRECAST WALL PANELS
(1) 6" PRECAST SOLID WALL PANEL
FIN. FLOOR ELEVATION 0'-0"=70'-6"



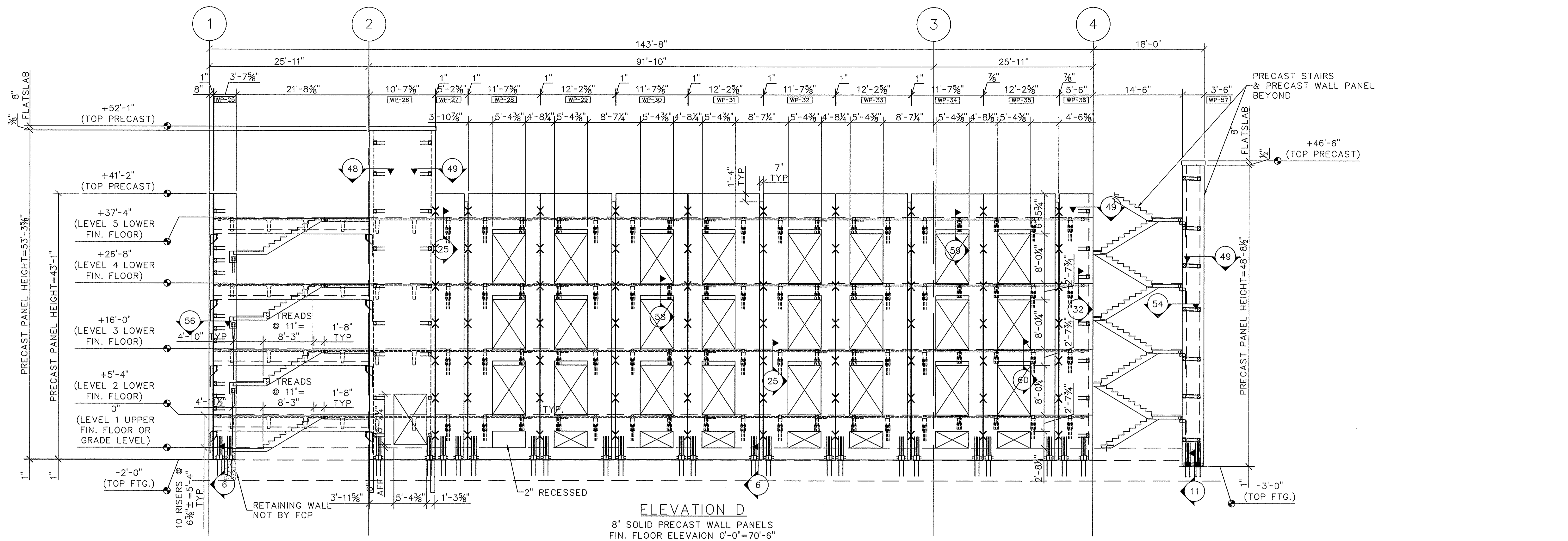
NO.	DATE	REVISION RECORD
1	01/15/07	SUBMITTED FOR APPROVAL
2	05/02/07	RELEASED FOR CONSTRUCTION
3		
4		
5		
6		
7		
8		

FLORENCE CONCRETE PRODUCTS, INC.
ARCHITECTURAL & STRUCTURAL PRECAST CONCRETE
865 INDUSTRIAL ROAD, SUMTER, SC 29150
PHONE: (803) 775-4372 FAX: (803) 775-8569

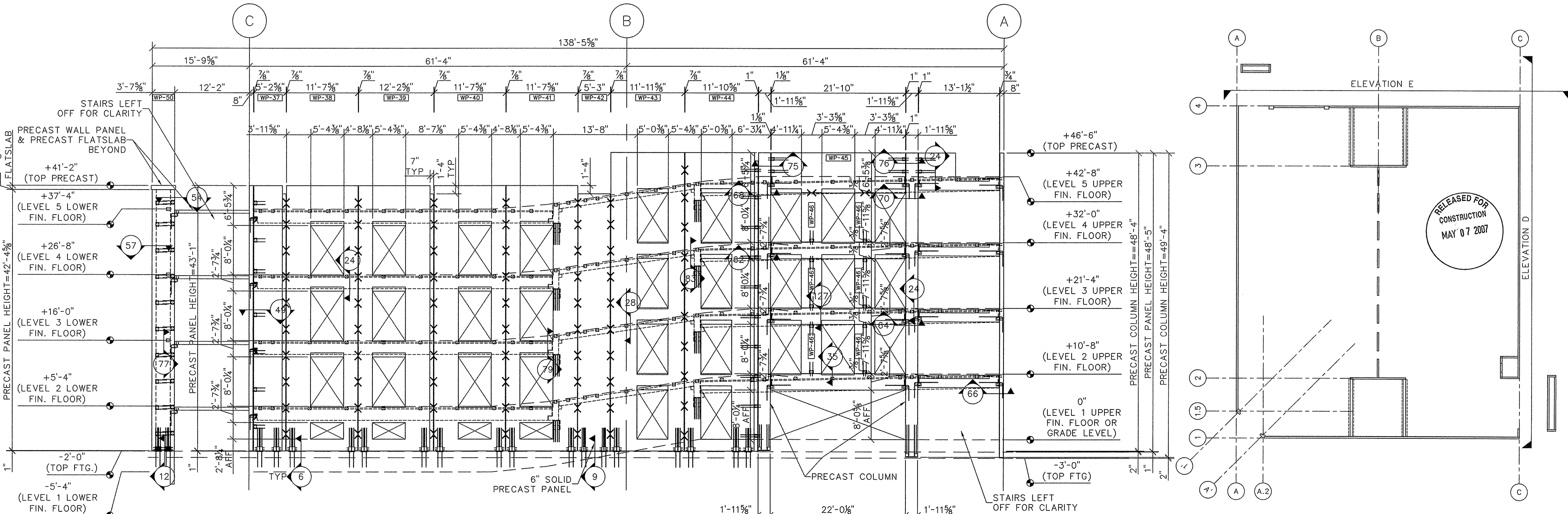


CUSTOMER: PROJECT NAME & ADDRESS: SUMMERVILLE TOWN HALL PARKING GARAGE, SUMMERVILLE, SC, ELEVATIONS A, B & C
SHEET #: 11 OF 33 PROJECT #: 3279
DRAWING NUMBER: F11
SCALE: 1/8"=1'-0"
DATE: 01/15/07
CHECKED BY: SLR
DRAWN BY: SLR

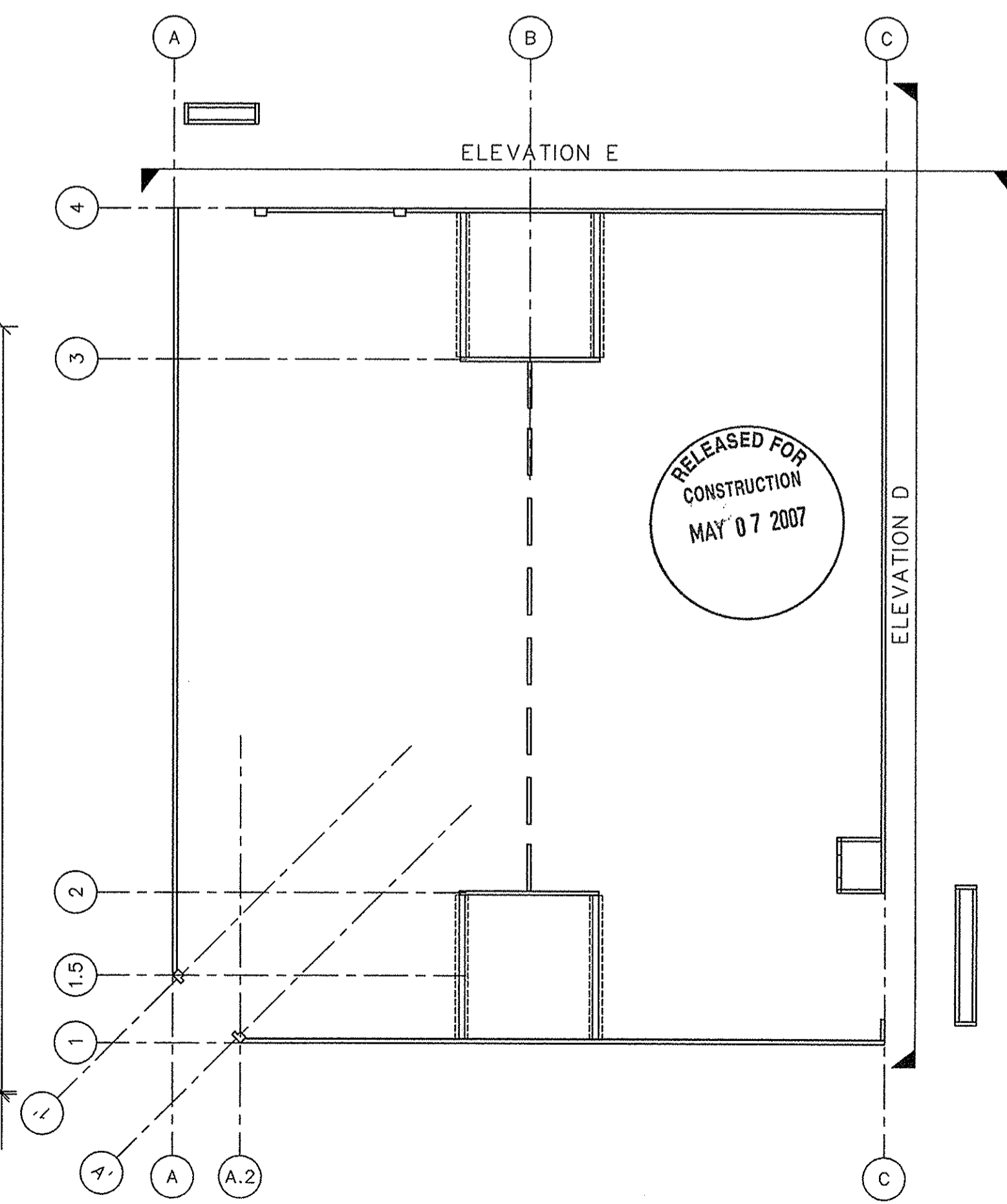
RELEASED FOR CONSTRUCTION
MAY 07 2007



ELEVATION D
 8" SOLID PRECAST WALL PANELS
 FIN. FLOOR ELEVATION 0'-0"=70'-6"



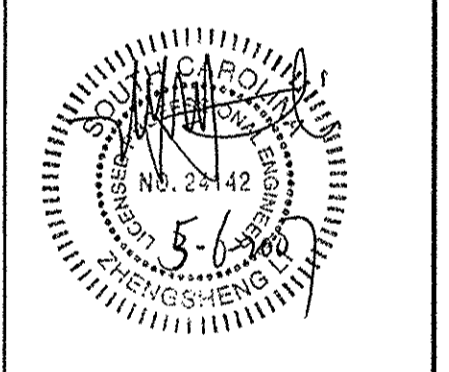
ELEVATION E
 8" SOLID PRECAST WALL PANELS
 (1) 6" SOLID PRECAST WALL PANEL
 16"x24" PRECAST COLUMNS
 FIN. FLOOR ELEVATION 0'-0"=70'-6"



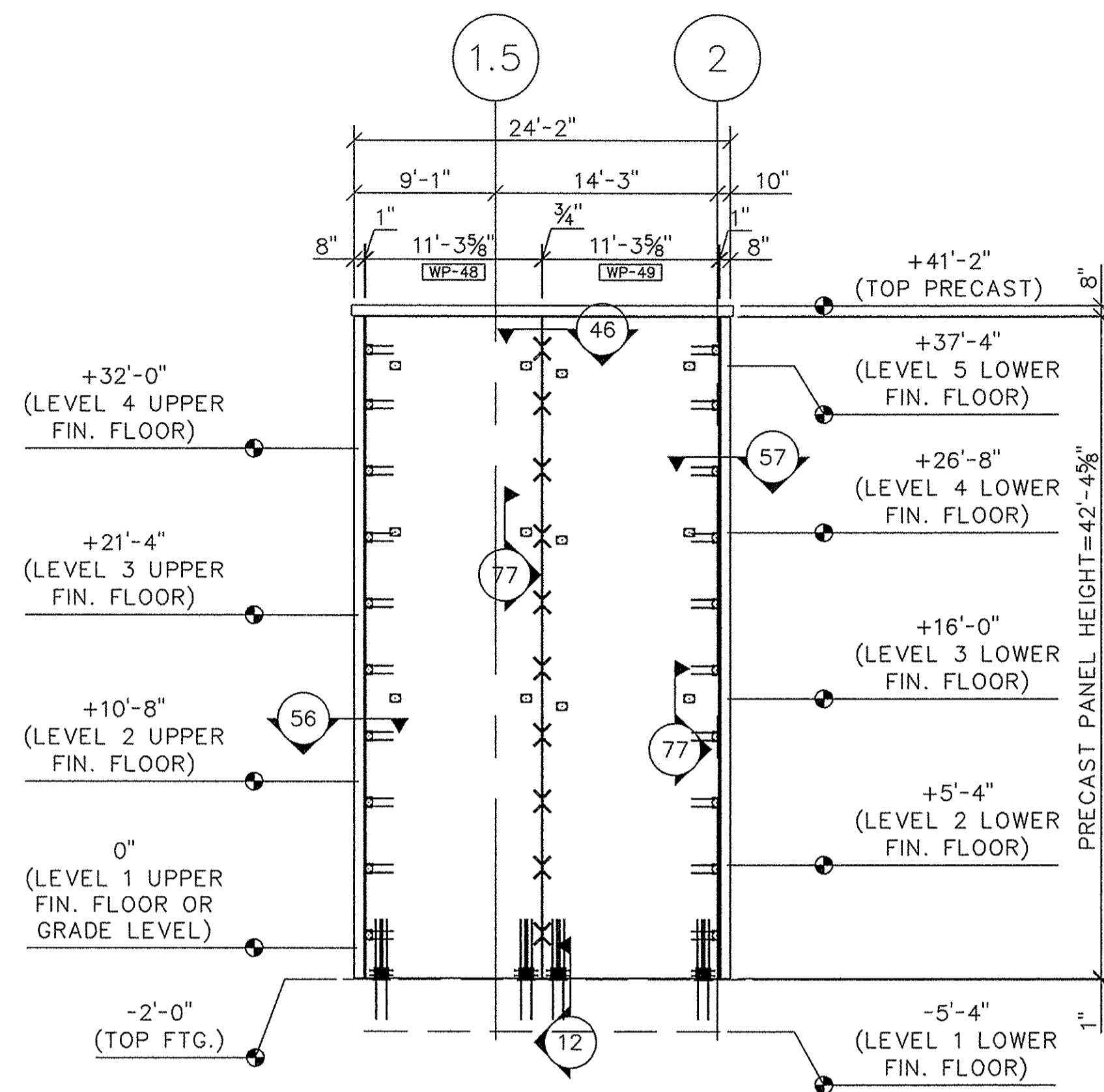
RELEASED FOR
 CONSTRUCTION
 MAY 07 2007

NO.	DATE	REVISION RECORD
1	01/15/07	SUBMITTED FOR APPROVAL
2	05/02/07	RELEASED FOR CONSTRUCTION
3		
4		
5		
6		
7		
8		

FLORENCE CONCRETE PRODUCTS, INC.
 ARCHITECTURAL & STRUCTURAL PRECAST CONCRETE
 865 INDUSTRIAL ROAD, SUMTER, SC 29150
 PHONE: (803) 775-4372 FAX: (803) 775-8569

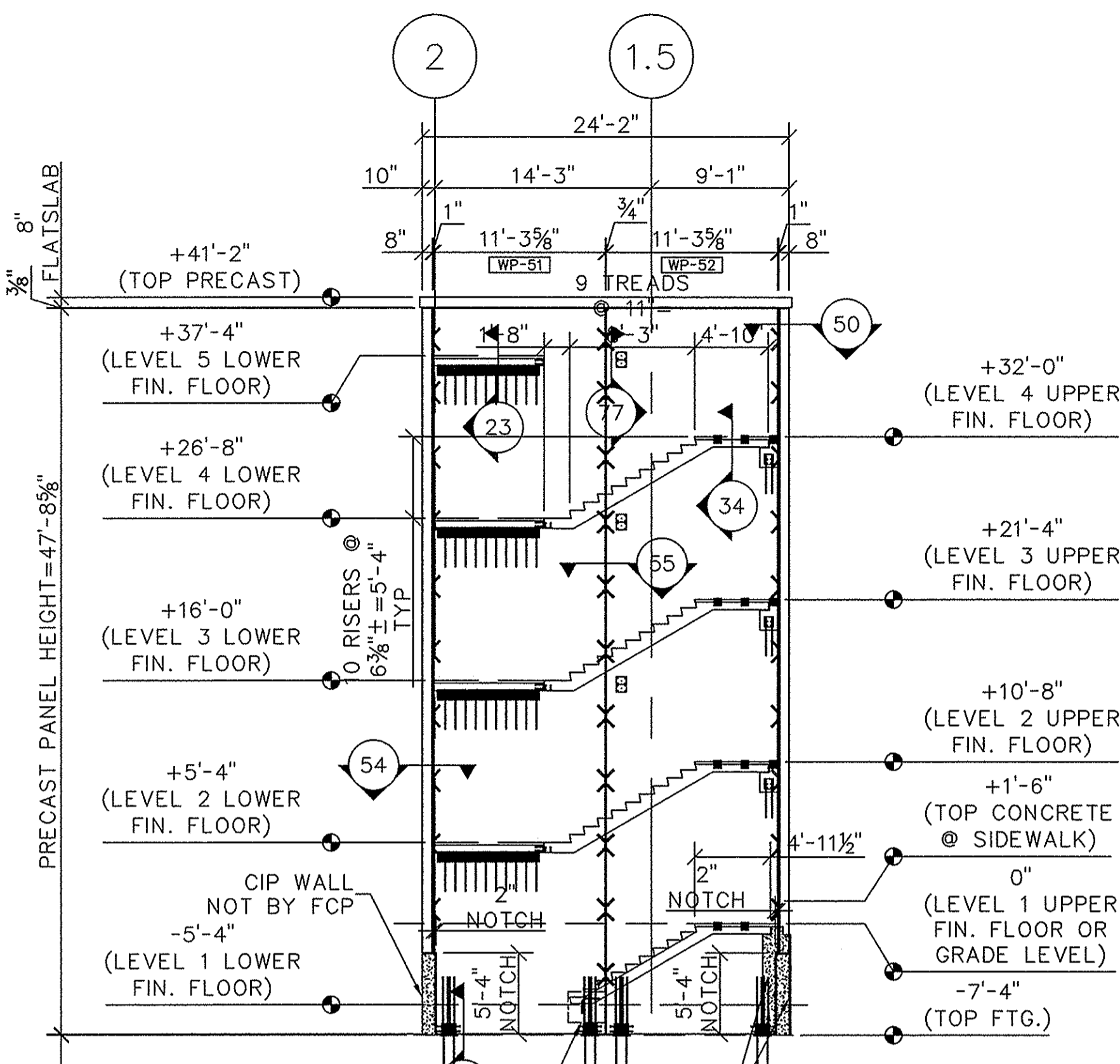


CUSTOMER:	PROJECT NAME & ADDRESS:	CUSTOMER P.O.#:
	SUMMERVILLE TOWN HALL PARKING GARAGE SUMMERVILLE, SC ELEVATIONS D & E	
SHEET #:	DATE:	SCALE:
12 of 33	01/15/07	1/8"=1'-0"
DRAWING NUMBER:	DRAWN BY:	CHECKED BY:
E12	SLR	SLR
	PROJECT #:	
	3279	



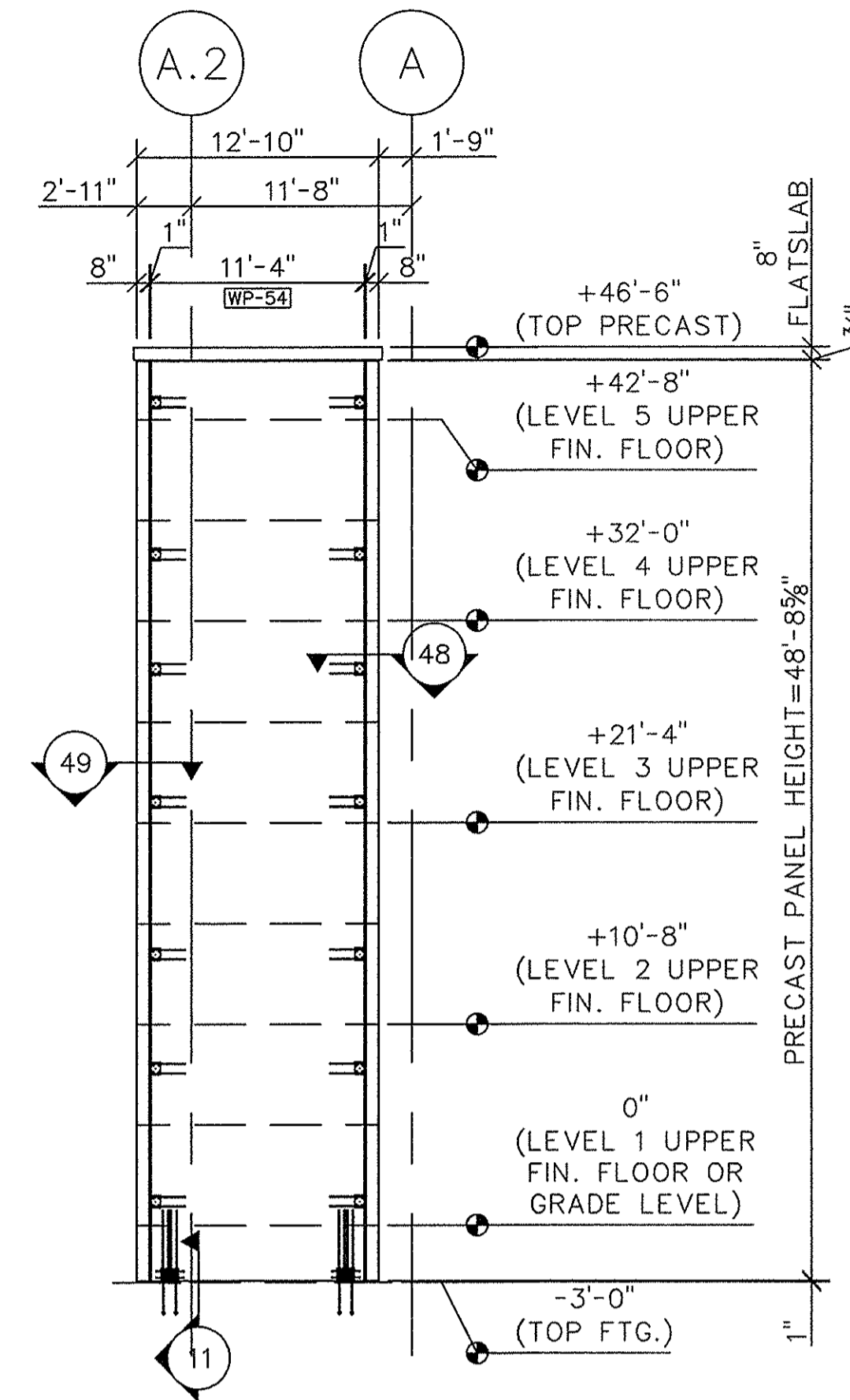
ELEVATION F

8" SOLID PRECAST WALL PANELS
FIN. FLOOR ELEVATION 0'-0"=70'-6"



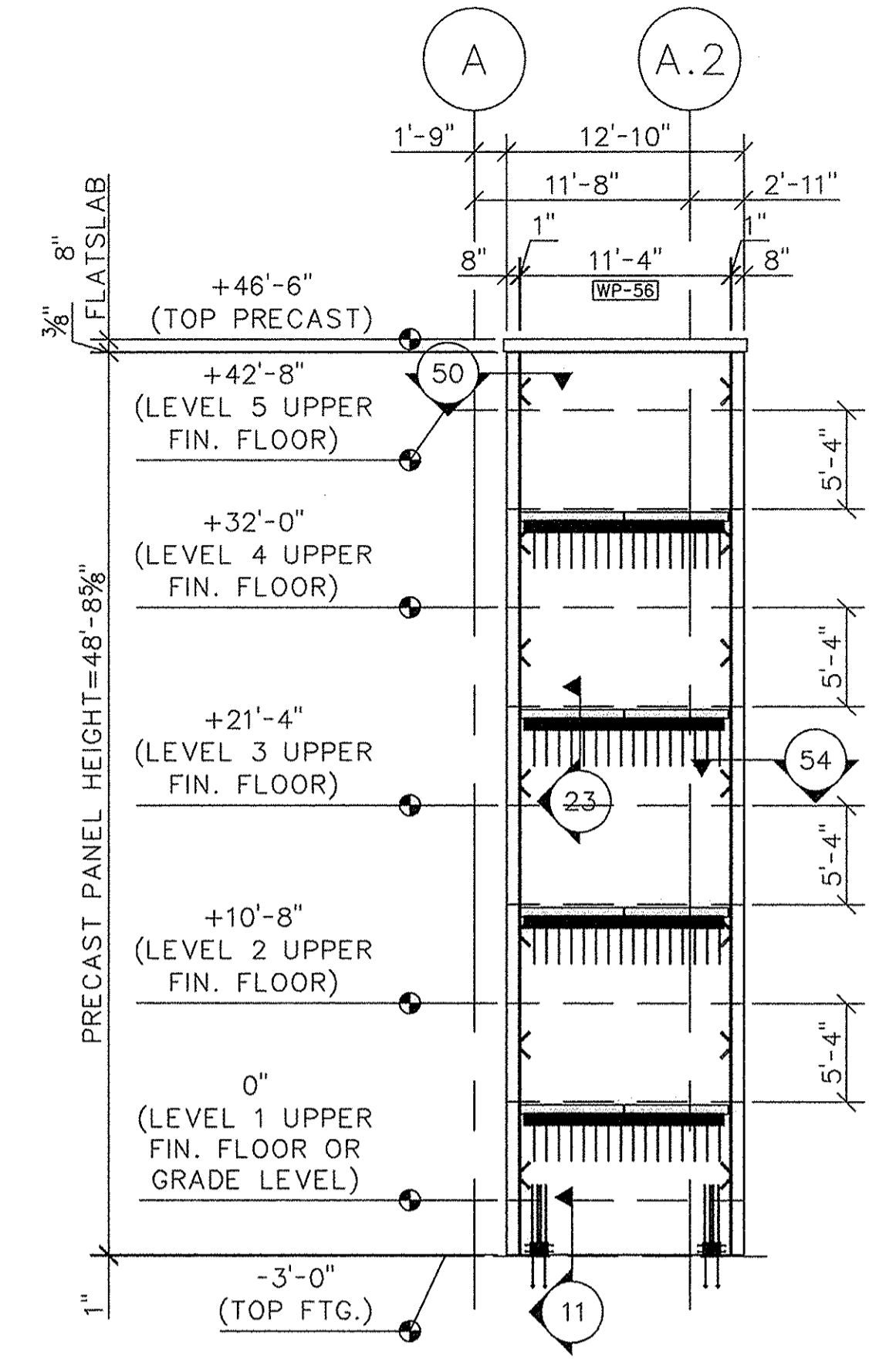
ELEVATION G

8" SOLID PRECAST WALL PANELS
FIN. FLOOR ELEVATION 0'-0"=70'-6"



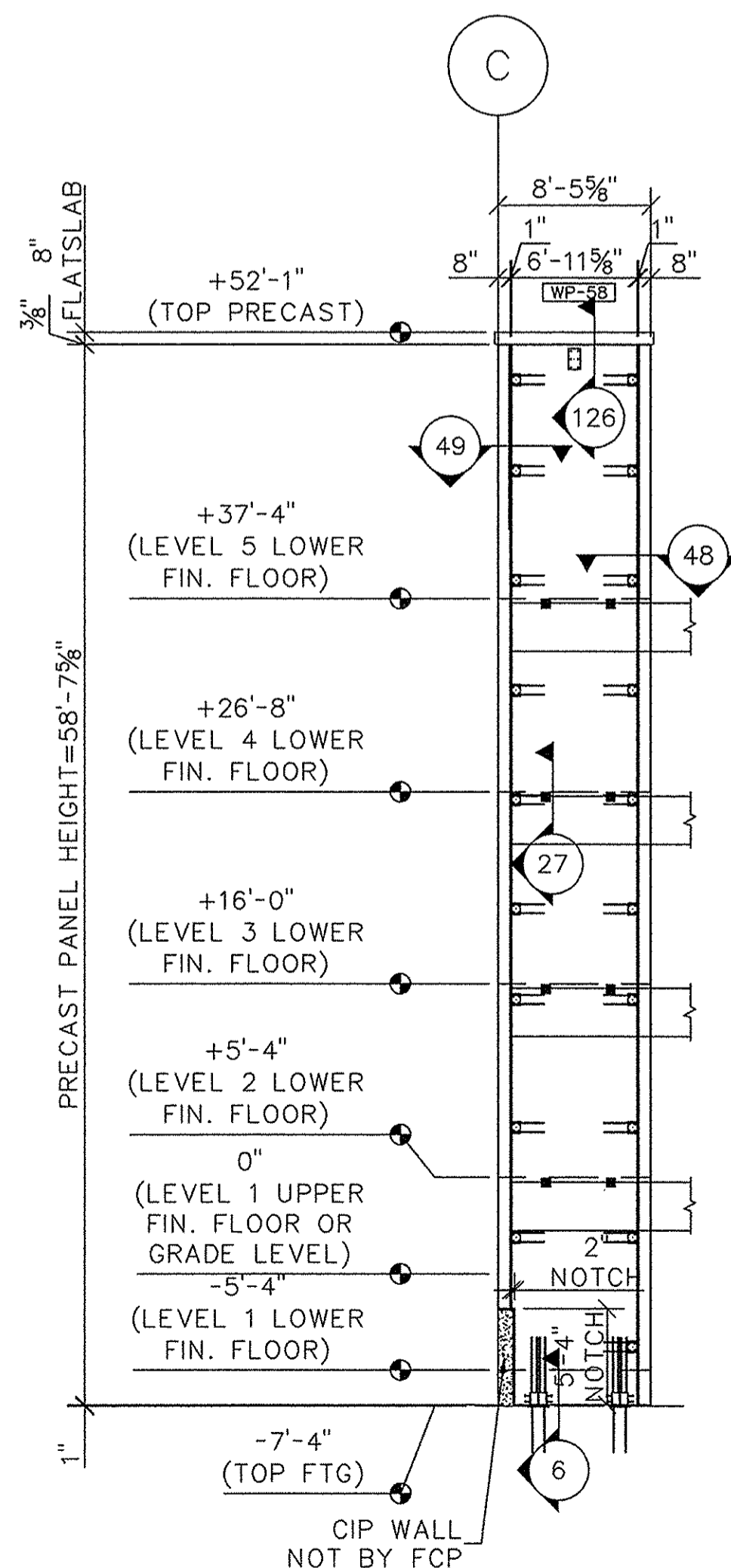
ELEVATION H

8" SOLID PRECAST WALL PANELS
FIN. FLOOR ELEVATION 0'-0"=70'-6"



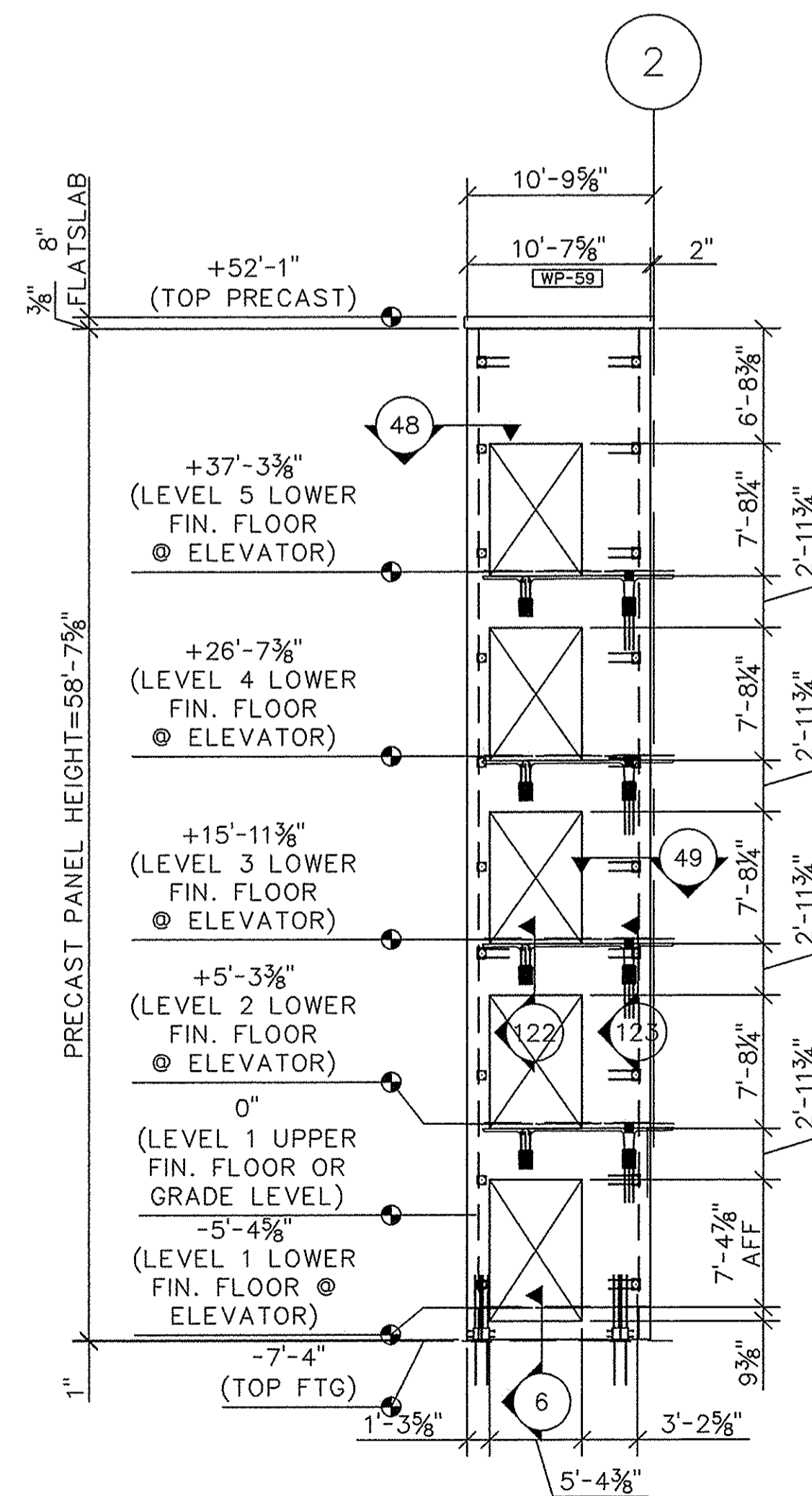
ELEVATION I

8" SOLID PRECAST WALL PANELS
FIN. FLOOR ELEVATION 0'-0"=70'-6"



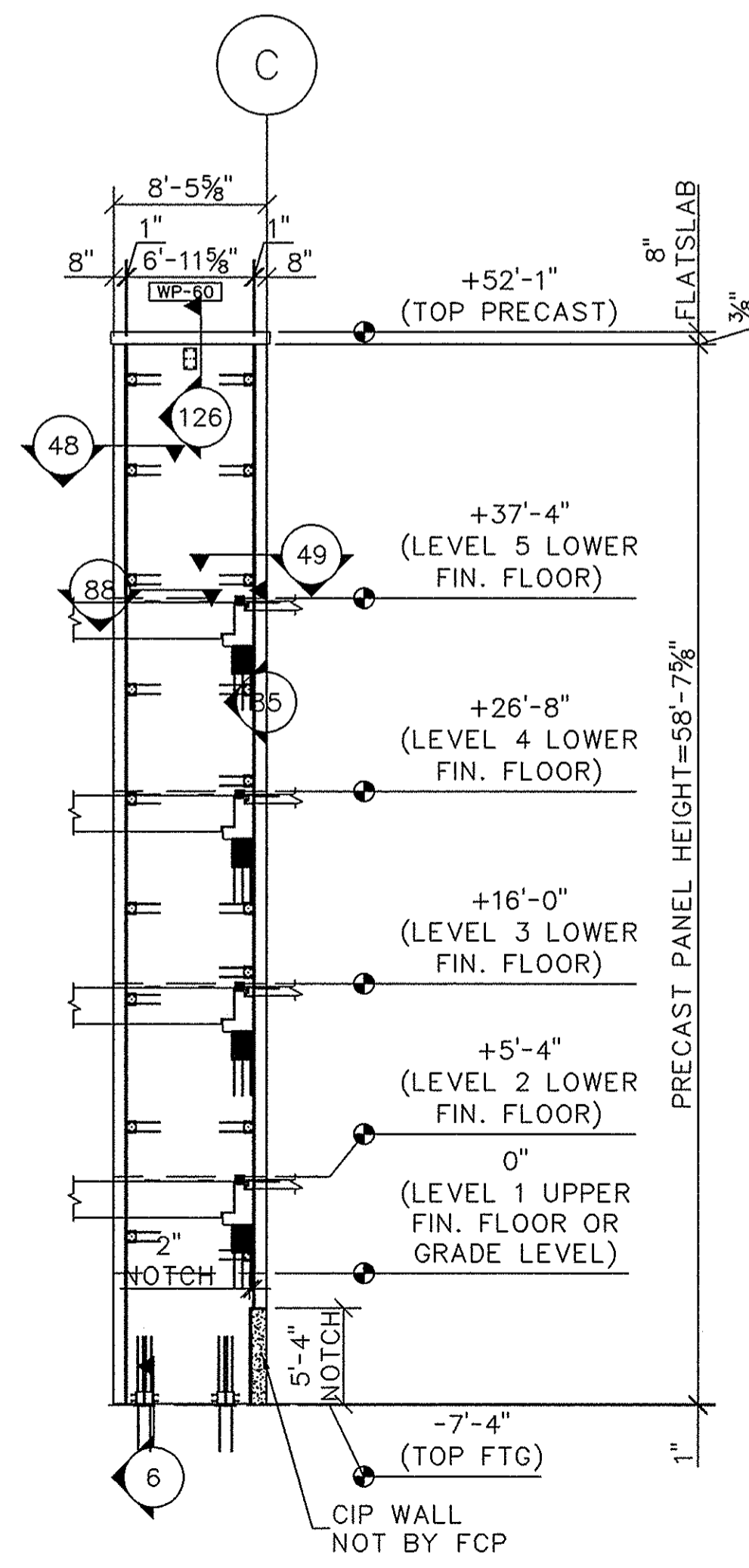
ELEVATION J

8" SOLID PRECAST WALL PANELS
FIN. FLOOR ELEVATION 0'-0"=70'-6"



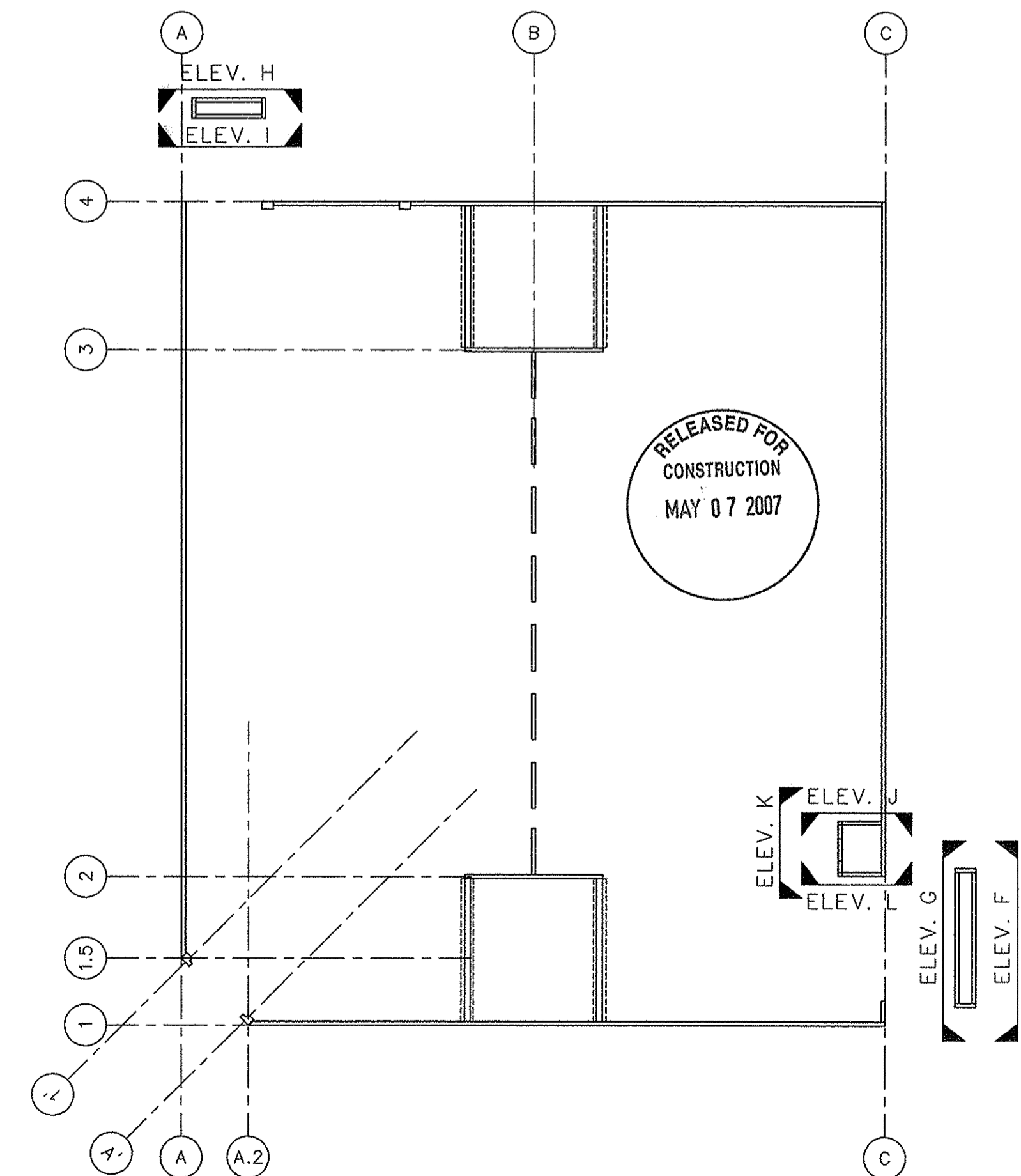
ELEVATION K

8" SOLID PRECAST WALL PANELS
FIN. FLOOR ELEVATION 0'-0"=70'-6"



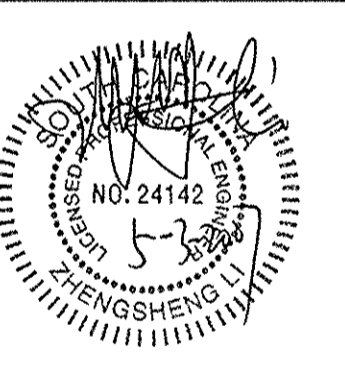
ELEVATION L

8" SOLID PRECAST WALL PANELS
FIN. FLOOR ELEVATION 0'-0"=70'-6"

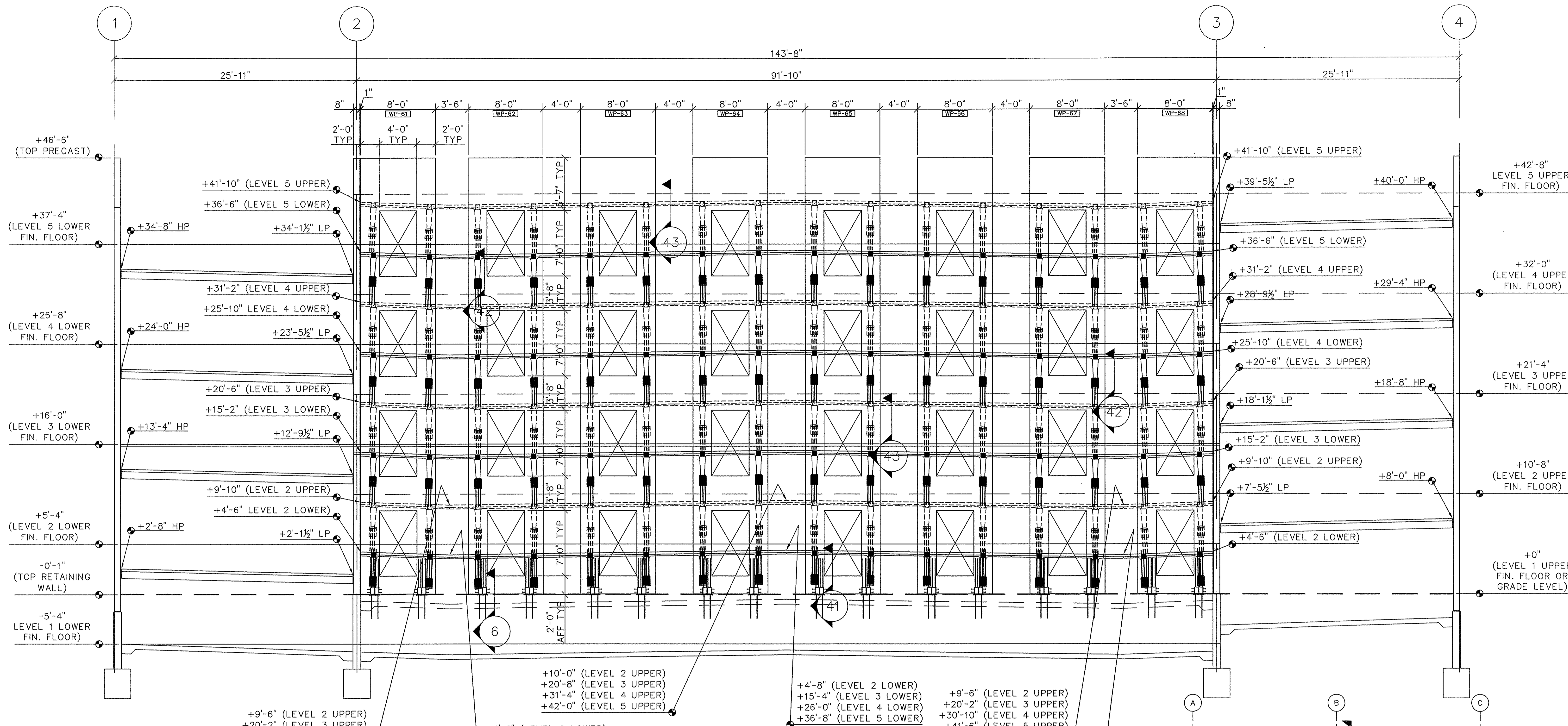


NO.	DATE	REVISION RECORD
1	01/15/07	SUBMITTED FOR APPROVAL
2	05/02/07	RELEASED FOR CONSTRUCTION
3		
4		
5		
6		
7		
8		

FLORENCE CONCRETE PRODUCTS, INC.
ARCHITECTURAL & STRUCTURAL PRECAST CONCRETE
 865 INDUSTRIAL ROAD, SUMMER, SC 29150
 PHONE: (803) 775-4372 FAX: (803) 775-8569



CUSTOMER:	PROJECT NAME & ADDRESS:	DATE:	SCALE:
	SUMMERVILLE TOWN HALL PARKING GARAGE SUMMERVILLE, SC ELEVATIONS F, G, H, I, J, K, L	01/15/07	1/8"=1'-0"
SHEET #	PROJECT #	DRAWN BY:	CHECKED BY:
13 of 33	3279	SLR	SLR
DRAWING NUMBER:		E13	



ELEVATION M
 8" SOLID PRECAST WALL PANELS
 FIN. FLOOR ELEVATION 0'-0" = 70'-6"

+9'-6" (LEVEL 2 UPPER)
 +20'-2" (LEVEL 3 UPPER)
 +30'-10" (LEVEL 4 UPPER)
 +41'-6" (LEVEL 5 UPPER)

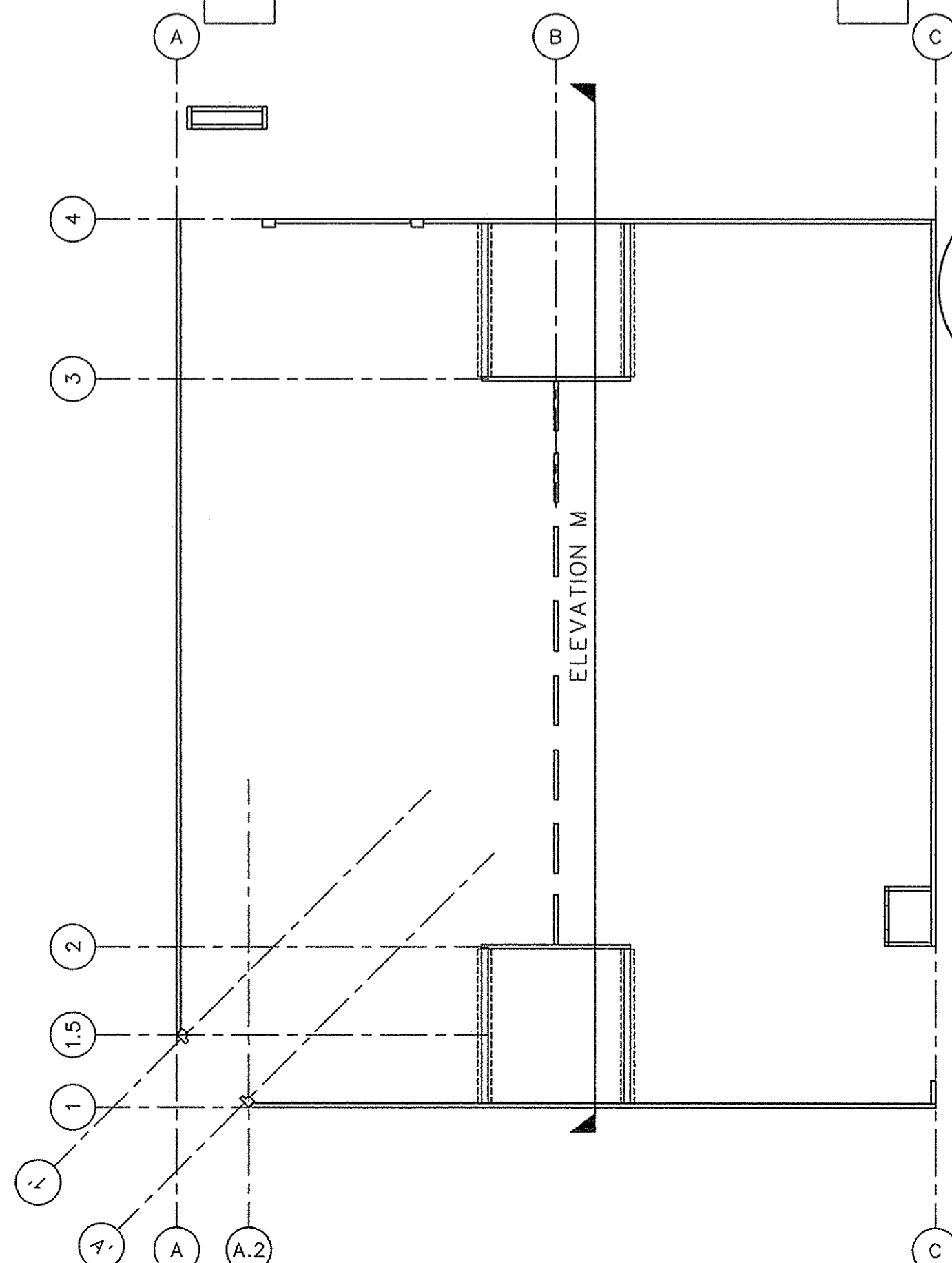
+4'-2" (LEVEL 2 LOWER)
 +14'-10" (LEVEL 3 LOWER)
 +25'-6" (LEVEL 4 LOWER)
 +36'-2" (LEVEL 5 LOWER)

+10'-0" (LEVEL 2 UPPER)
 +20'-8" (LEVEL 3 UPPER)
 +31'-4" (LEVEL 4 UPPER)
 +42'-0" (LEVEL 5 UPPER)

+4'-8" (LEVEL 2 LOWER)
 +15'-4" (LEVEL 3 LOWER)
 +26'-0" (LEVEL 4 LOWER)
 +36'-8" (LEVEL 5 LOWER)

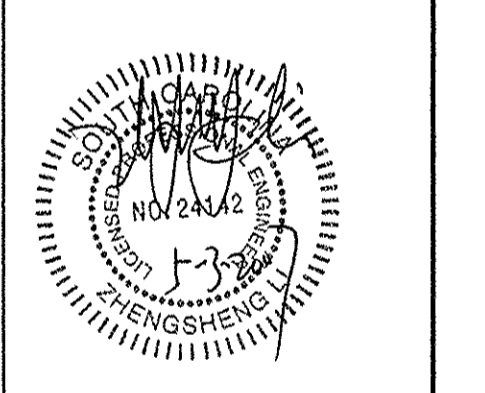
+9'-6" (LEVEL 2 UPPER)
 +20'-2" (LEVEL 3 UPPER)
 +30'-10" (LEVEL 4 UPPER)
 +41'-6" (LEVEL 5 UPPER)

+4'-2" (LEVEL 2 LOWER)
 +14'-10" (LEVEL 3 LOWER)
 +25'-6" (LEVEL 4 LOWER)
 +36'-2" (LEVEL 5 LOWER)

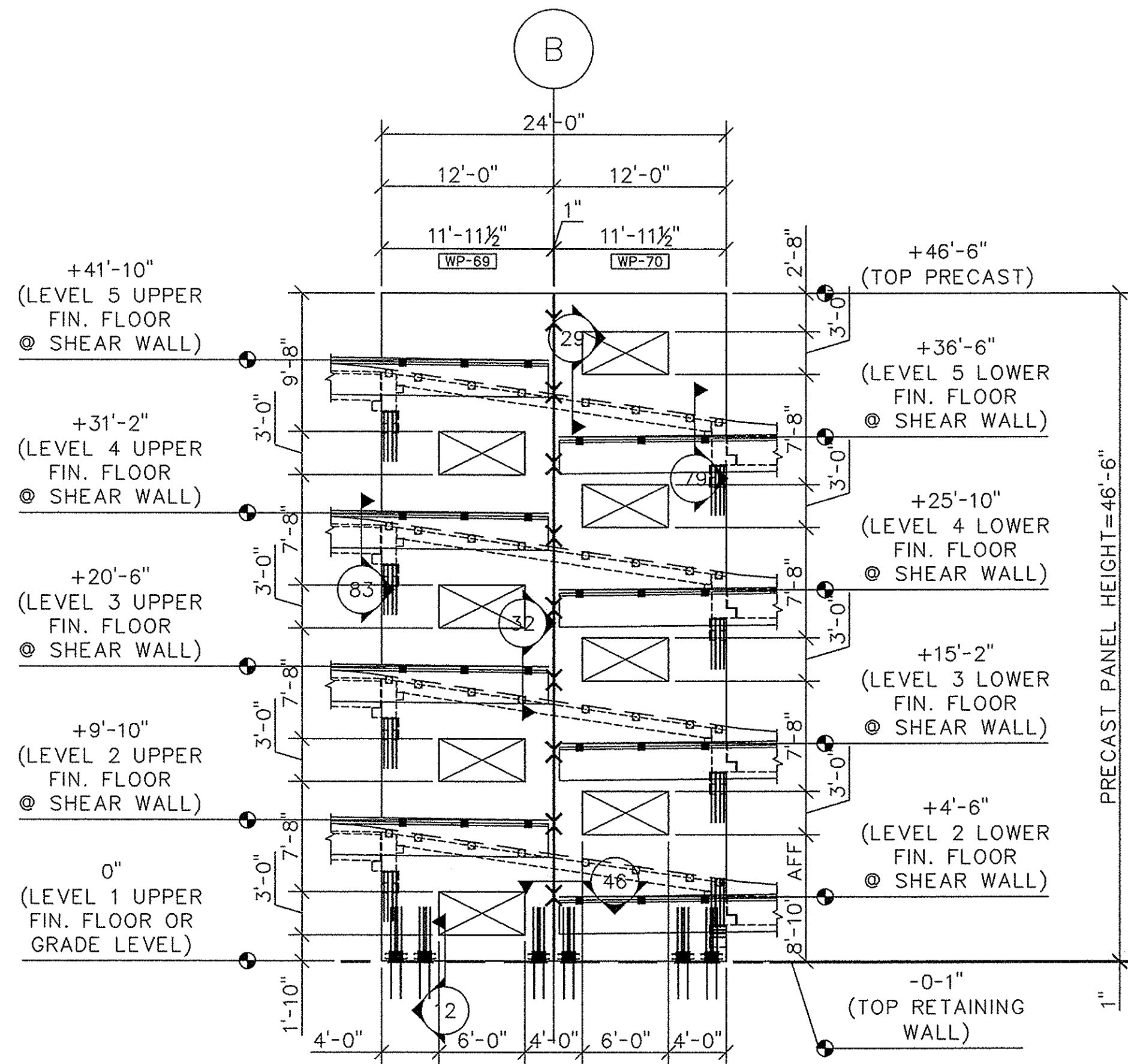


NO.	DATE	REVISION RECORD
1	01/15/07	SUBMITTED FOR APPROVAL
2	05/02/07	RELEASED FOR CONSTRUCTION
3		
4		
5		
6		
7		
8		

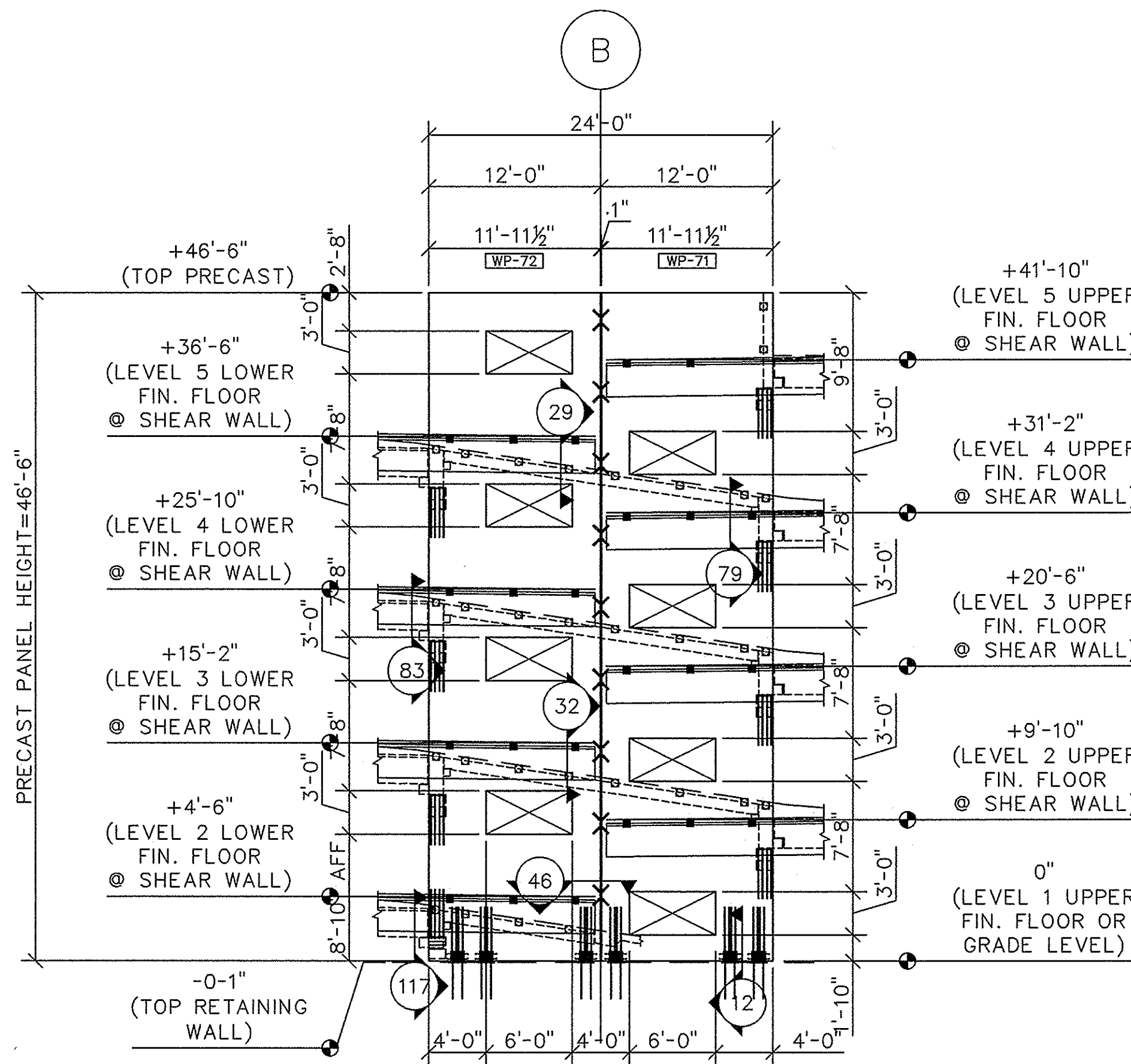
FLORENCE CONCRETE PRODUCTS, INC.
 ARCHITECTURAL & STRUCTURAL PRECAST CONCRETE
 865 INDUSTRIAL ROAD, SUMMER, SC 29150
 PHONE: (803) 775-4372 FAX: (803) 775-8569



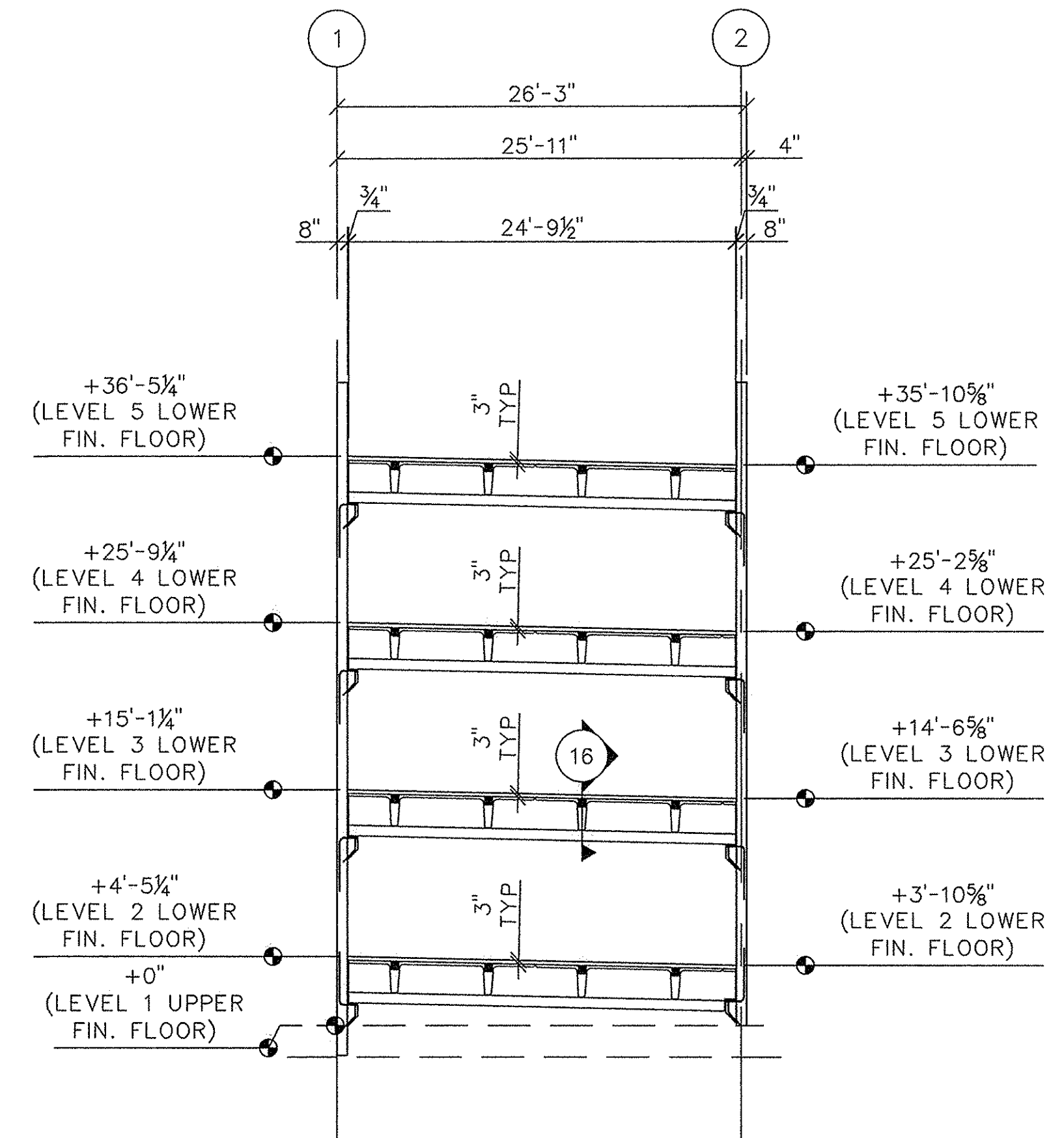
CUSTOMER: SUMMERVILLE TOWN HALL PARKING GARAGE
 SUMMERVILLE, SC
 ELEVATION M
 SHEET: 14 of 33
 PROJECT: 3279
 DRAWING NUMBER: E14
 DATE: 01/15/07
 SCALE: 1/8"=1'-0"
 CHECKED BY: SLR
 DRAWN BY: SLR



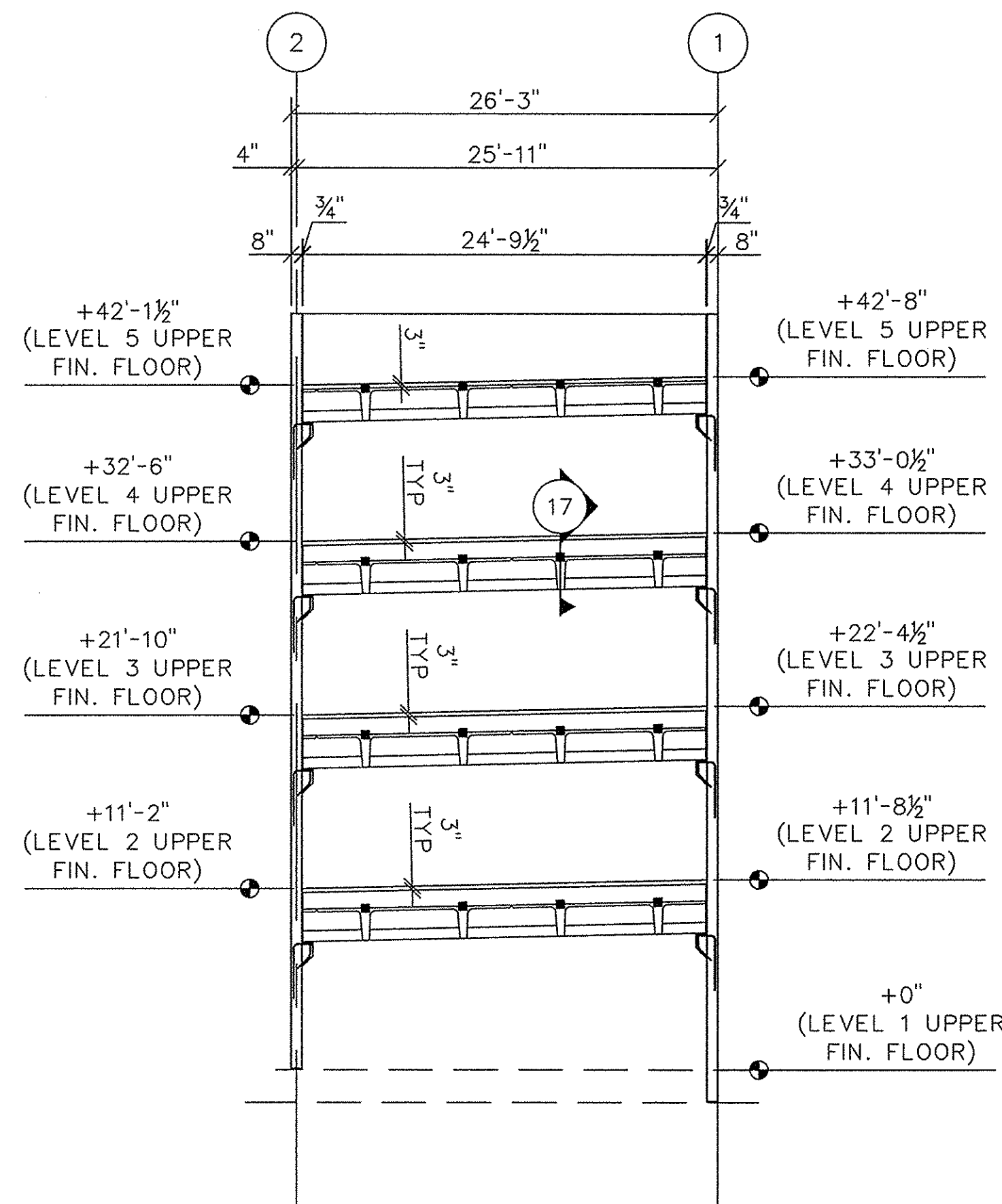
ELEVATION N
8" SOLID PRECAST WALL PANELS
FIN. FLOOR ELEVATION 0'-0"=70'-6"



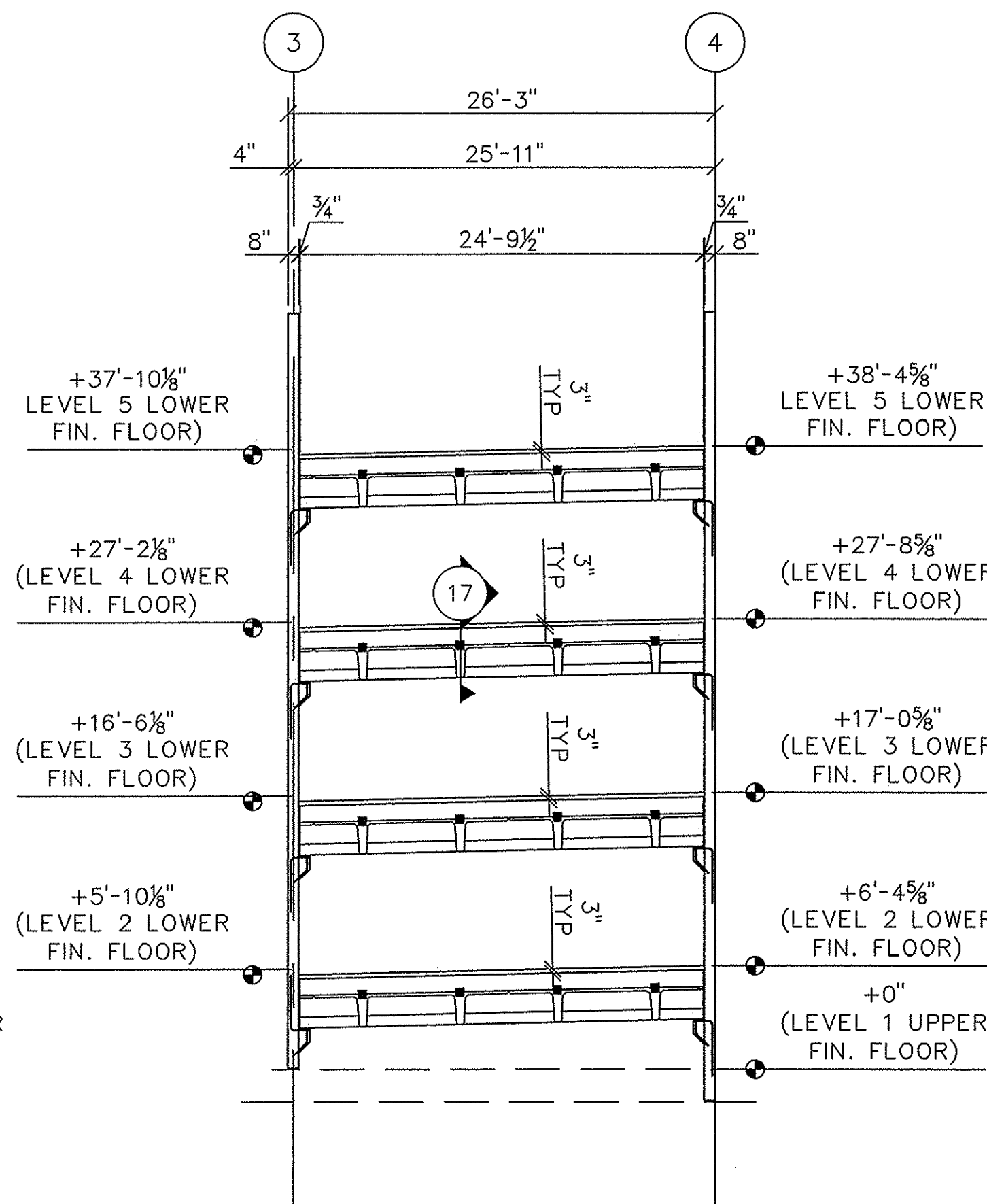
ELEVATION O
8" SOLID PRECAST WALL PANELS
FIN. FLOOR ELEVATION 0'-0"=70'-6"



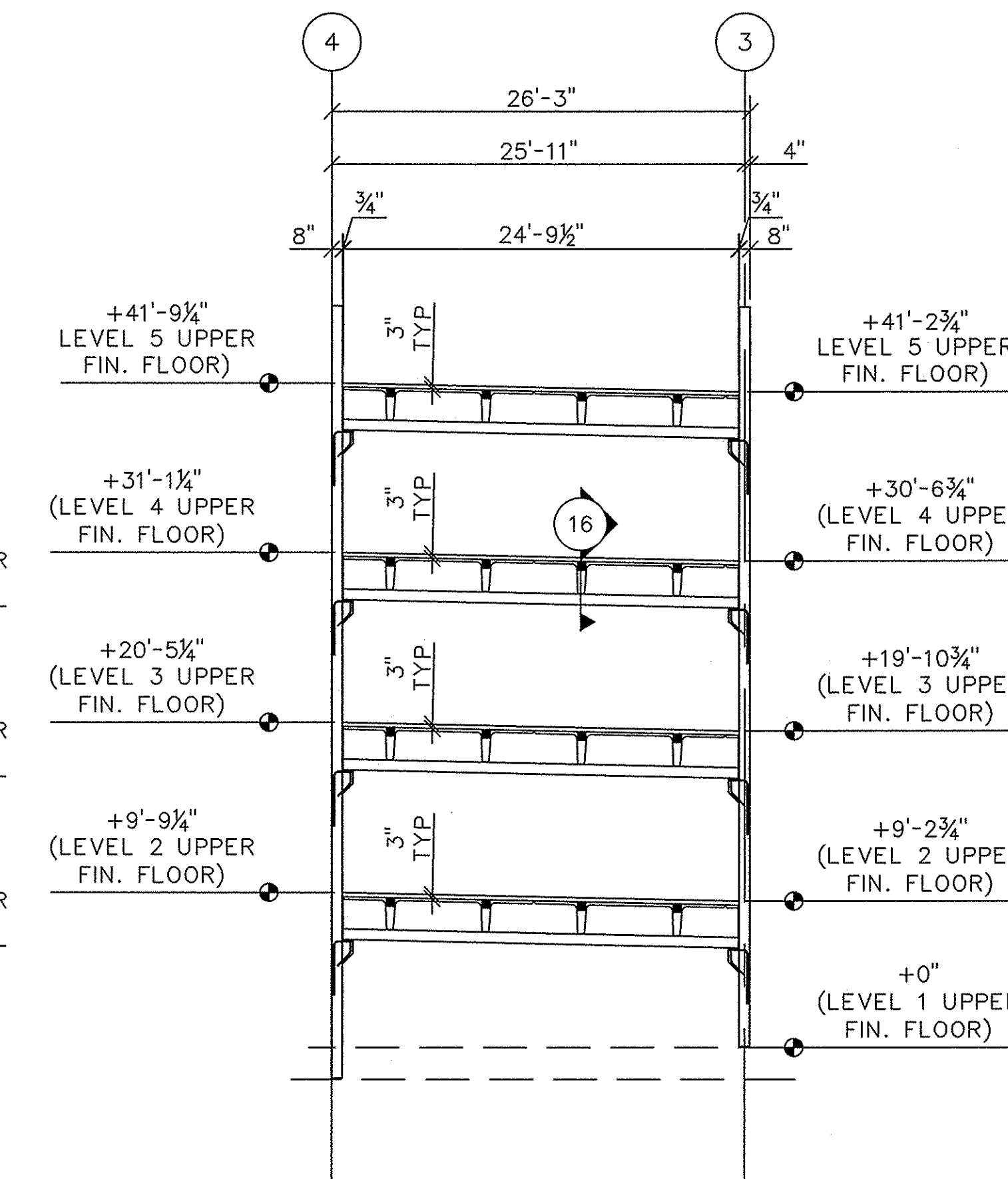
ELEVATION P
FIN. FLOOR ELEVATION 0'-0"=70'-6"



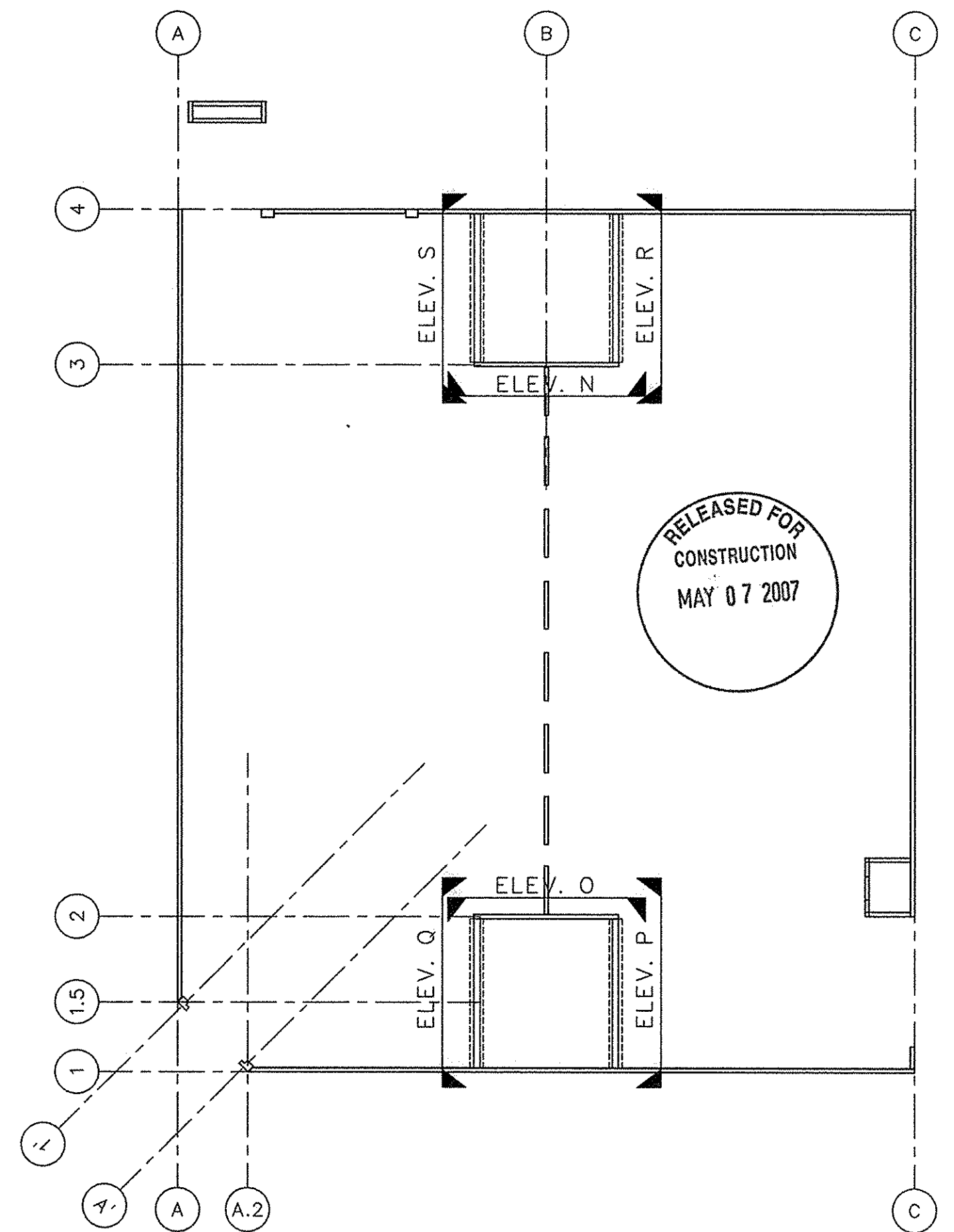
ELEVATION Q
FIN. FLOOR ELEVATION 0'-0"=70'-6"



ELEVATION R
FIN. FLOOR ELEVATION 0'-0"=70'-6"

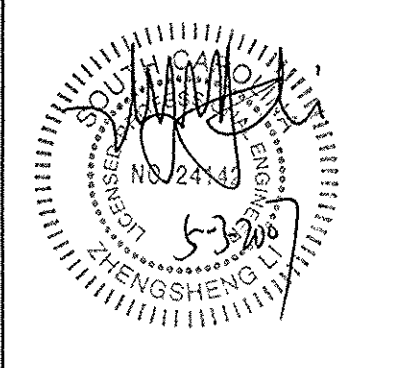


ELEVATION S
FIN. FLOOR ELEVATION 0'-0"=70'-6"

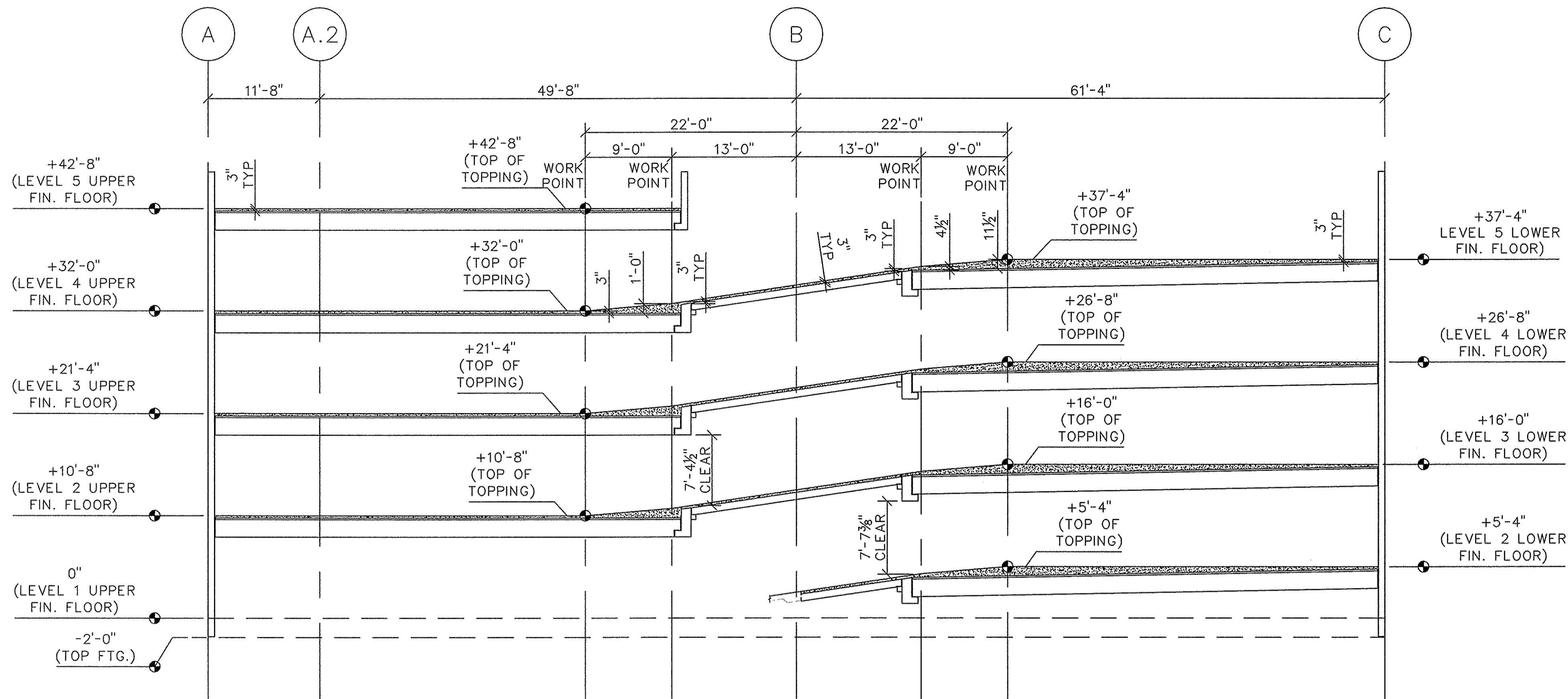


NO.	DATE	REVISION RECORD
1	01/15/07	SUBMITTED FOR APPROVAL
2	05/02/07	RELEASED FOR CONSTRUCTION
3		
4		
5		
6		
7		
8		

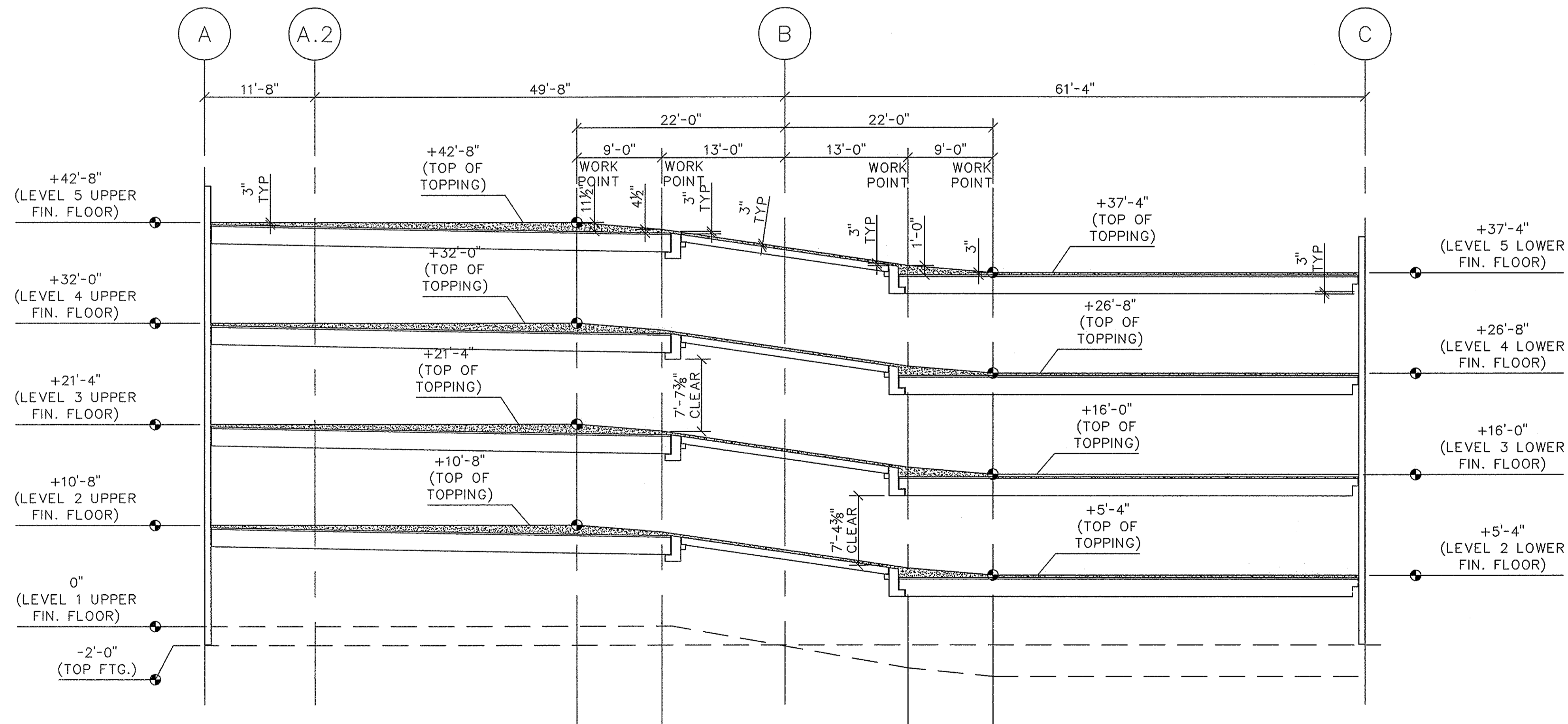
FLORENCE CONCRETE PRODUCTS, INC.
ARCHITECTURAL & STRUCTURAL PRECAST CONCRETE
865 INDUSTRIAL ROAD, SUMTER, SC 29150
PHONE: (803) 775-4372 FAX: (803) 775-8569



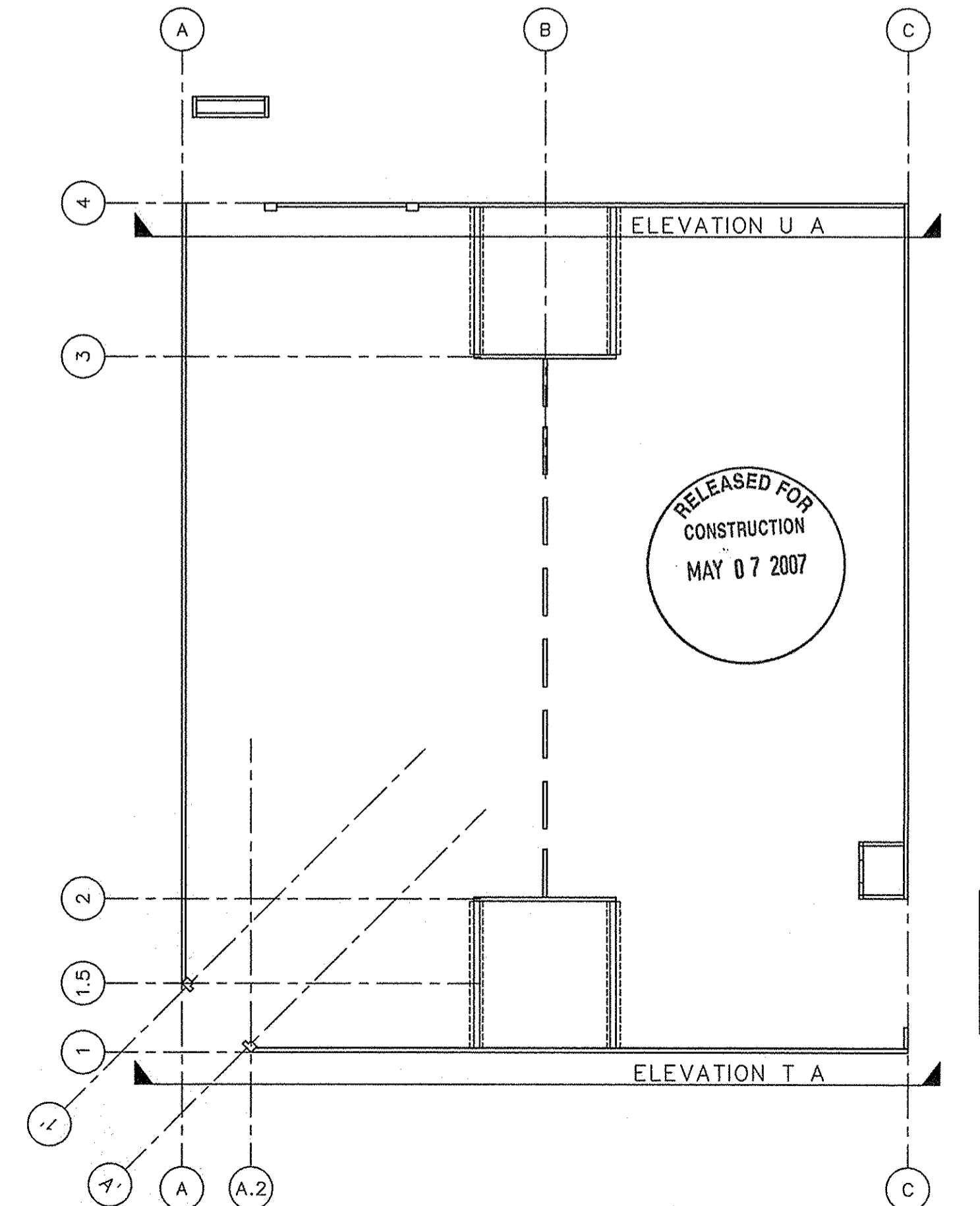
CUSTOMER:	PROJECT NAME & ADDRESS:	CHECKED BY:	DATE:	SCALE:
	SUMMERVILLE TOWN HALL PARKING GARAGE SUMMERVILLE, SC ELEVATIONS N, O, P, Q, R, & S	SLR	01/15/07	1/8"=1'-0"
SHEET #:	PROJECT #:	DRAWING NUMBER:		
15 of 33	3279			



ELEVATION T-A
RAMP ELEVATION @ COLUMN LINE 1
FIN. FLOOR ELEVATION 0'-0"=70'-6"

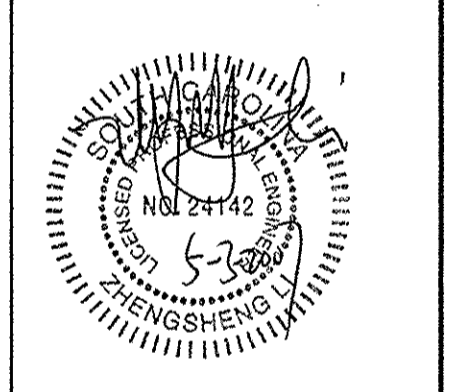


ELEVATION U-A
RAMP ELEVATION @ COLUMN LINE 4
FIN. FLOOR ELEVATION 0'-0"=70'-6"

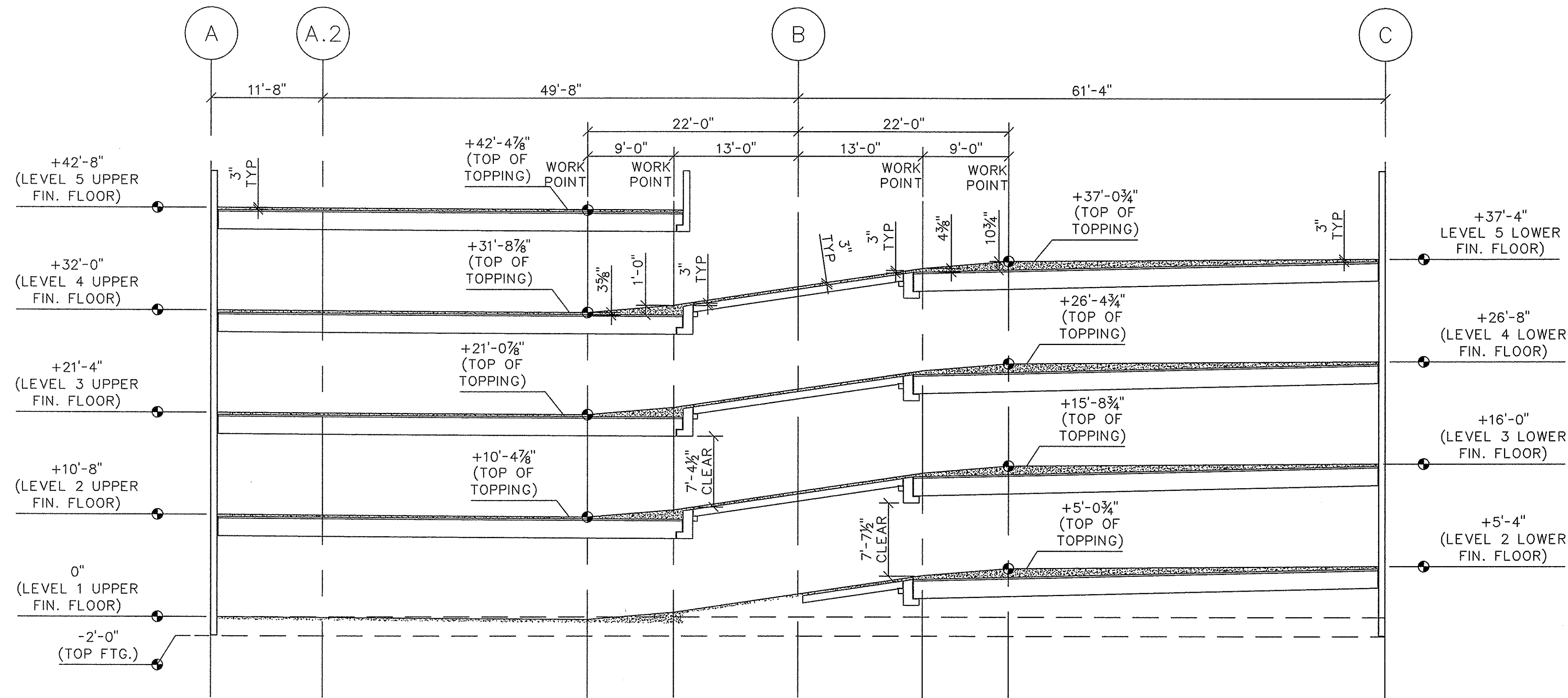


NO.	DATE	REVISION RECORD	
		BY	PK
1	01/15/07	PHK	SLR
2	05/02/07		
3			
4			
5			
6			
7			
8			

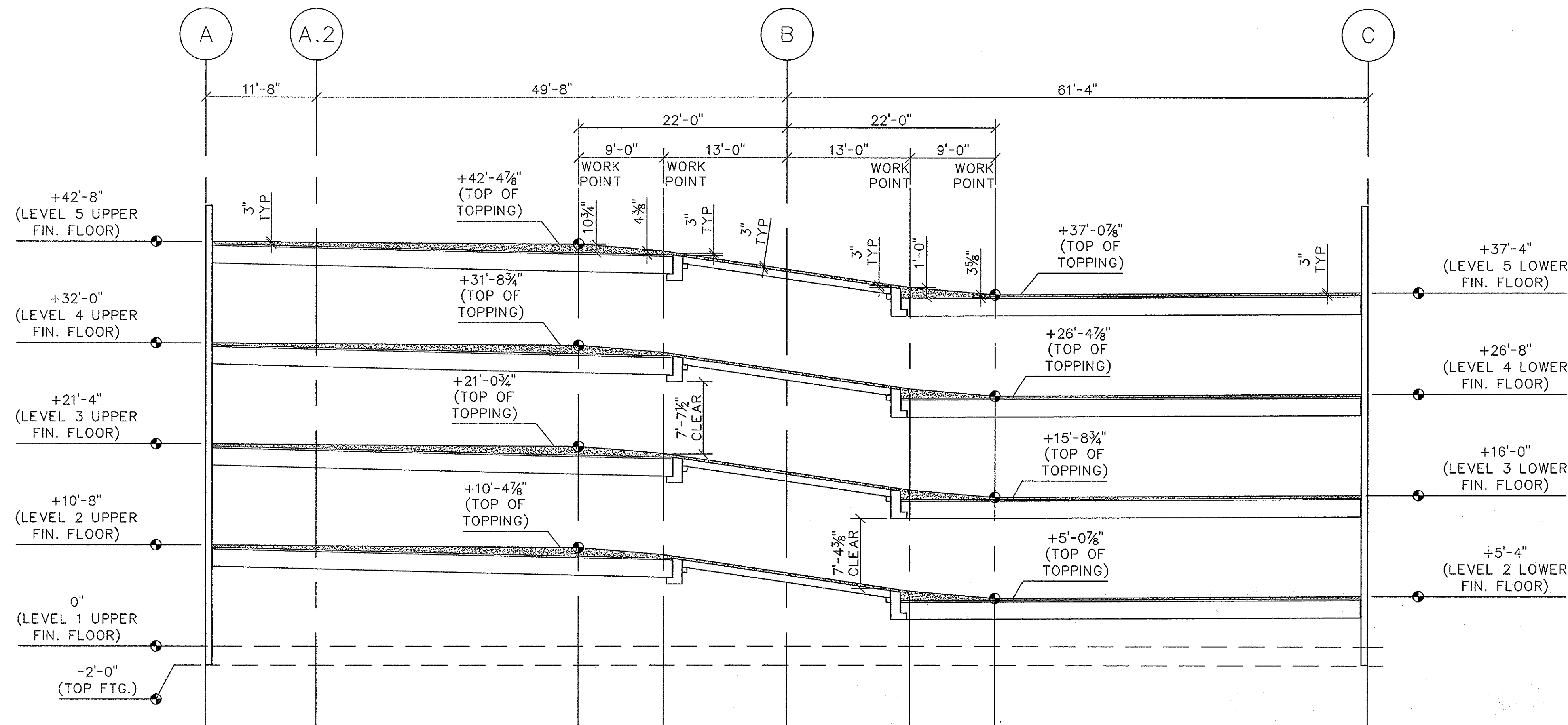
FLORENCE CONCRETE PRODUCTS, INC.
ARCHITECTURAL & STRUCTURAL PRECAST CONCRETE
865 INDUSTRIAL ROAD, SUMTER, SC 29150
PHONE: (803) 775-4372 FAX: (803) 775-8569



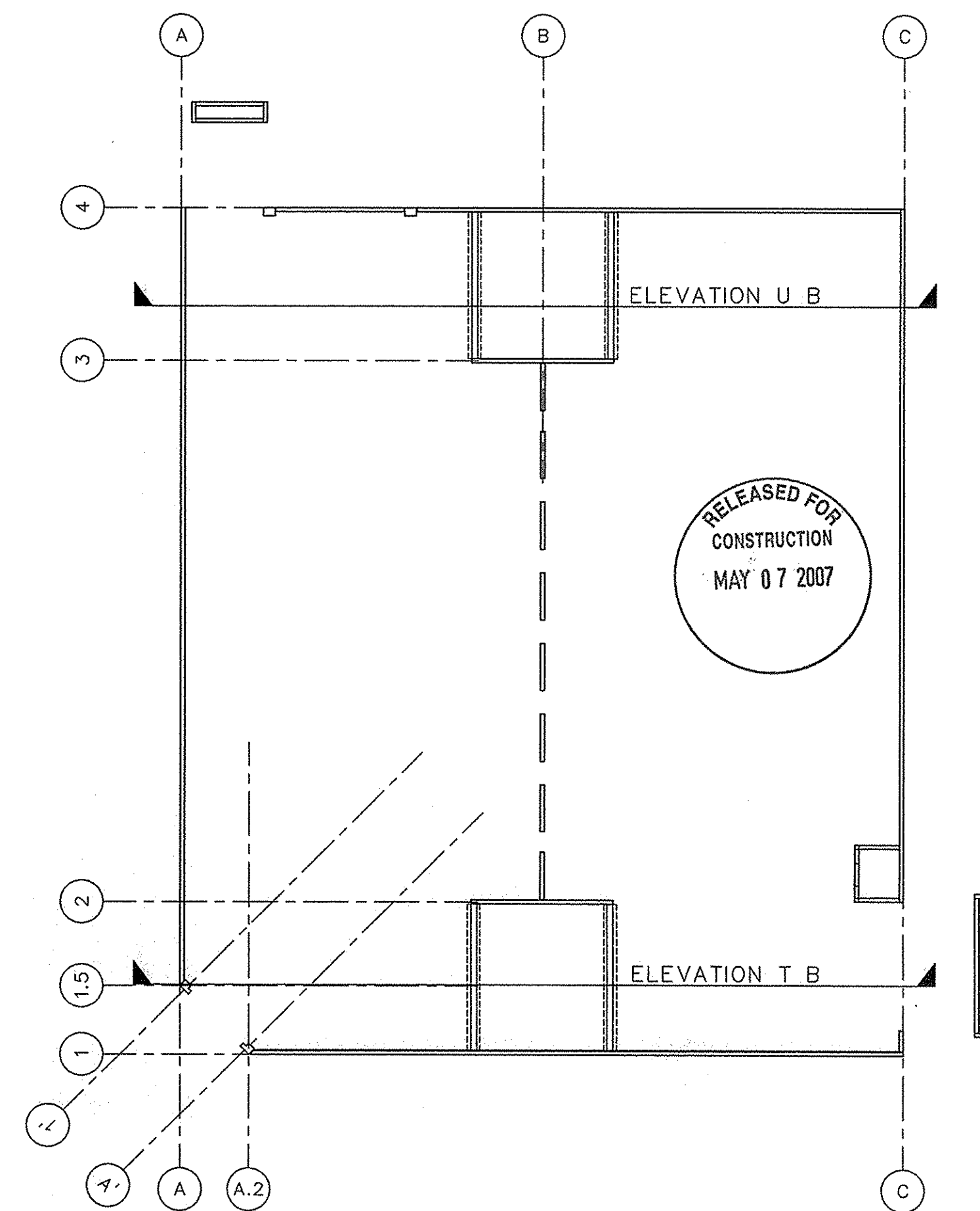
CUSTOMER:		SCALE: 1/8"=1'-0"	
PROJECT NAME & ADDRESS:		DATE: 01/15/07	
SUMMERVILLE TOWN HALL PARKING GARAGE		CHECKED BY: PHK	
SUMMERVILLE, SC		DRAWN BY: PHK	
SECTIONS OF RAMP BETWEEN 1 & 2 AND 3 & 4		PROJECT # 3279	
CUSTOMER PO#:		DRAWING NUMBER: E16A	



ELEVATION T-B
 RAMP ELEVATION MIDWAY BETWEEN 1 & 2
 FIN. FLOOR ELEVATION 0'-0"=70'-6"

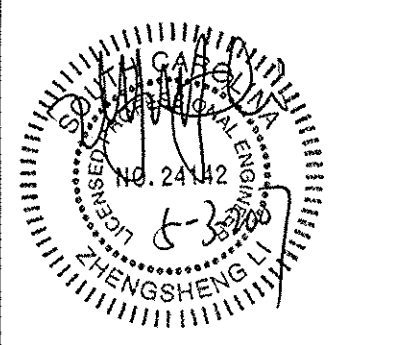


ELEVATION U-B
 RAMP ELEVATION MIDWAY BETWEEN 3 & 4
 FIN. FLOOR ELEVATION 0'-0"=70'-6"

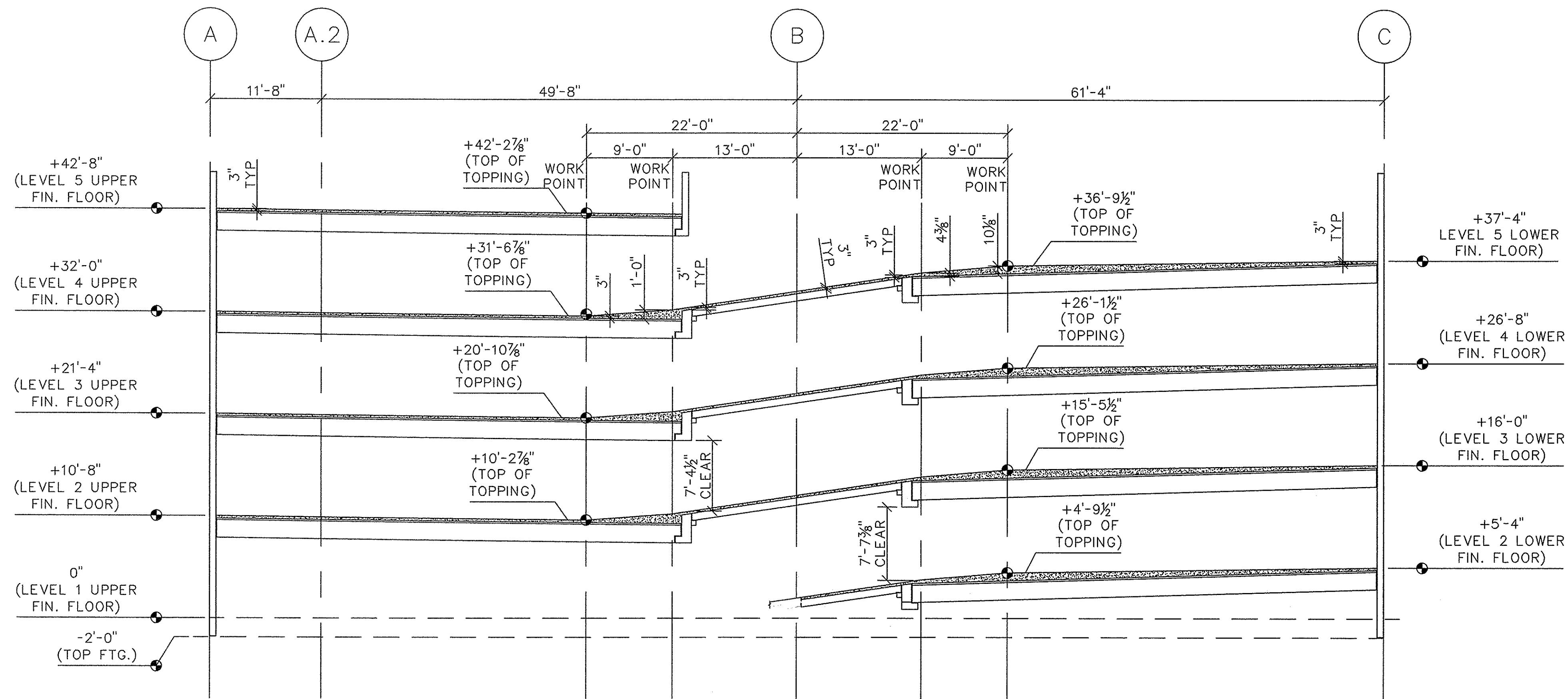


NO.	DATE	REVISION RECORD
1	01/15/07	SUBMITTED FOR APPROVAL
2	05/02/07	RELEASED FOR CONSTRUCTION
3		
4		
5		
6		
7		
8		

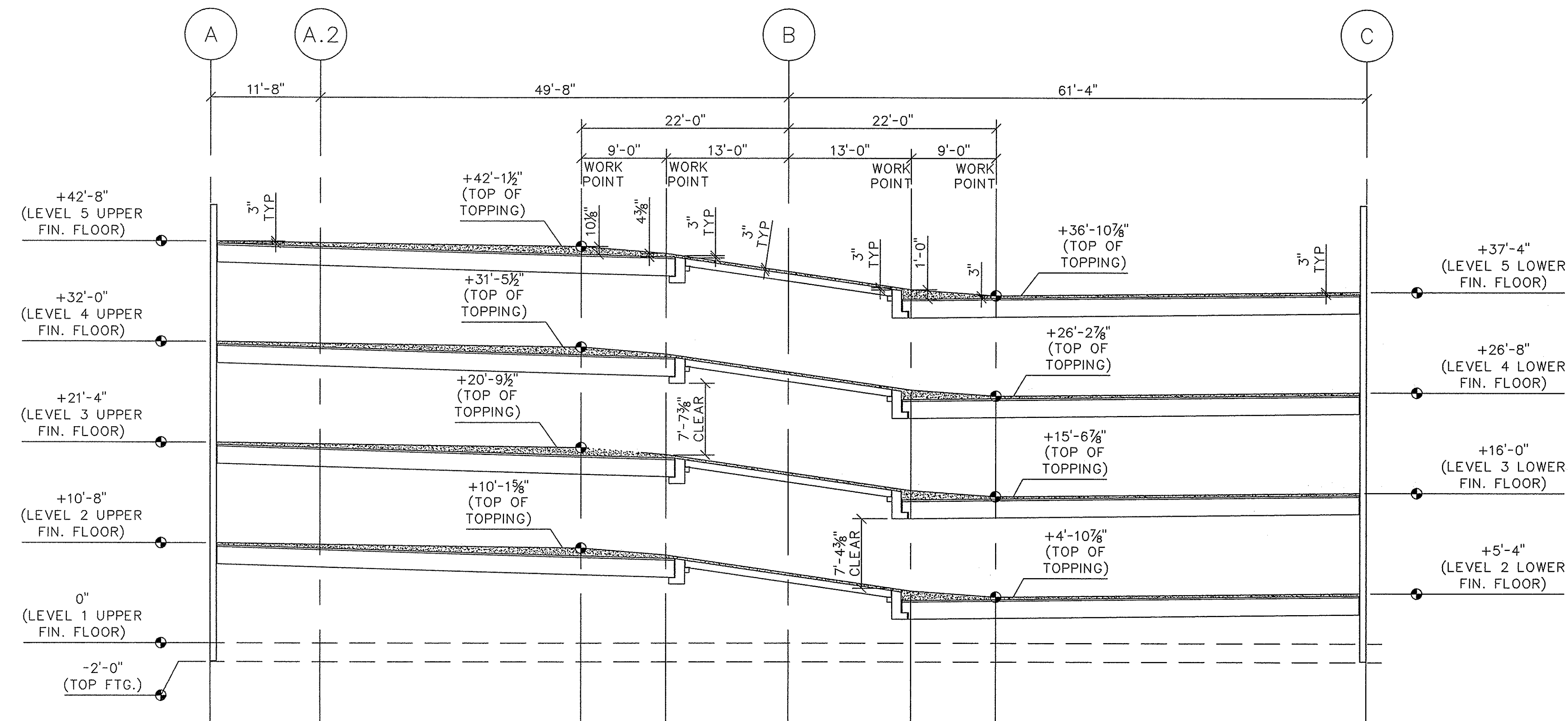
FLORENCE CONCRETE PRODUCTS, INC.
ARCHITECTURAL & STRUCTURAL PRECAST CONCRETE
 885 INDUSTRIAL ROAD, SUMTER, SC 29150
 PHONE: (803) 775-4372 FAX: (803) 775-8569



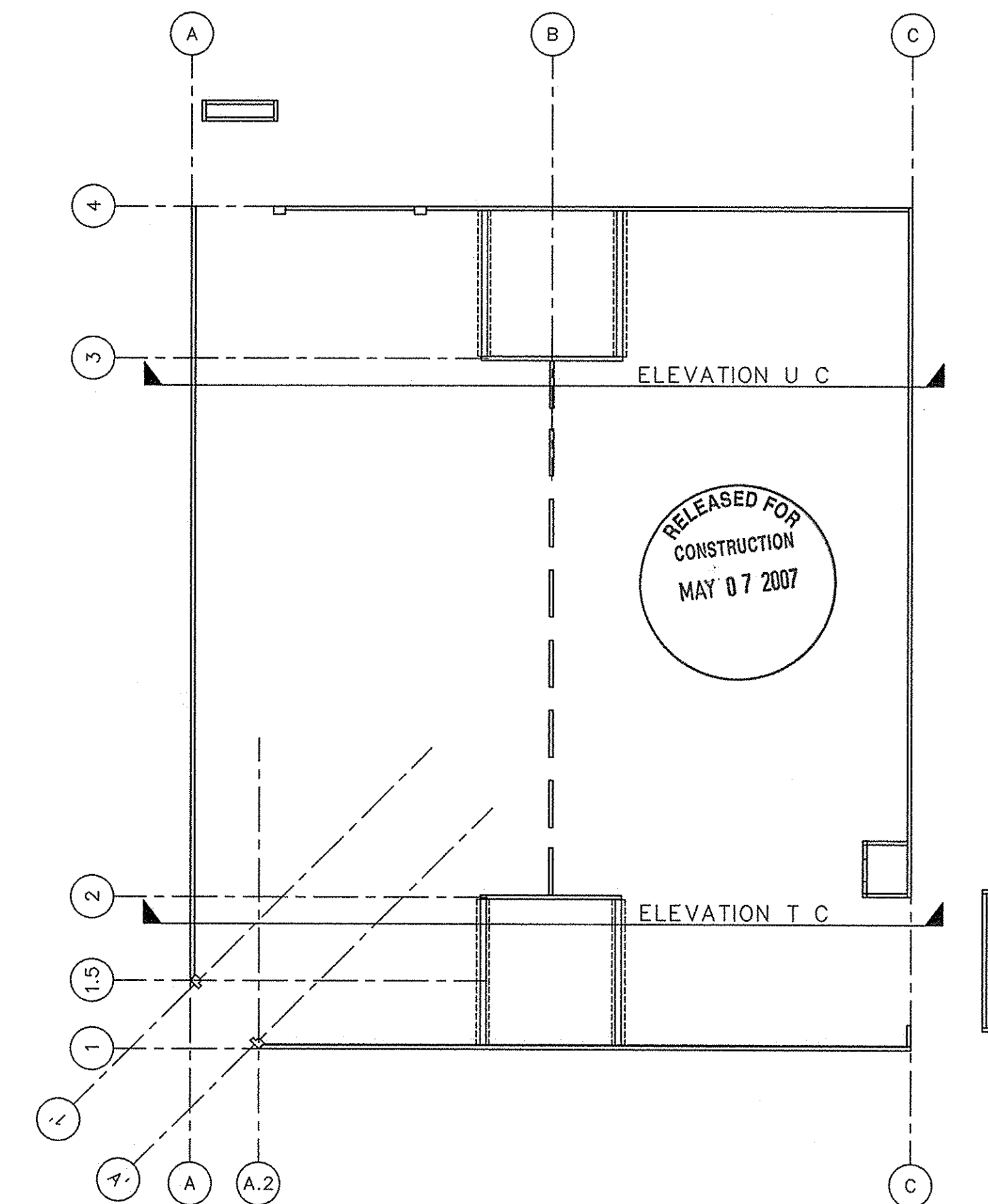
CUSTOMER: SUMMERVILLE TOWN HALL PARKING GARAGE
 SUMMERVILLE, SC
 SECTIONS OF RAMP BETWEEN 1 & 2 AND 3 & 4
 DRAWN BY: PHK
 CHECKED BY: PHK
 DATE: 01/15/07
 SCALE: 1/8"=1'-0"



ELEVATION T-C
 RAMP ELEVATION @ COLUMN LINE 2
 FIN. FLOOR ELEVATION 0'-0" = 70'-6"

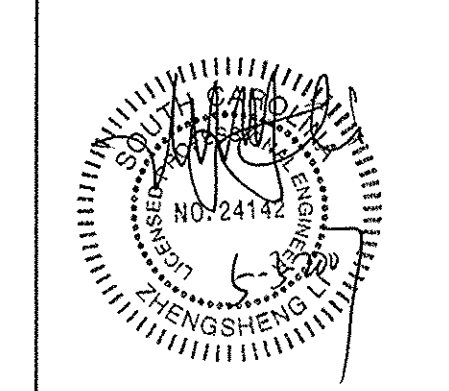


ELEVATION U-C
 RAMP ELEVATION @ COLUMN LINE 3
 FIN. FLOOR ELEVATION 0'-0" = 70'-6"

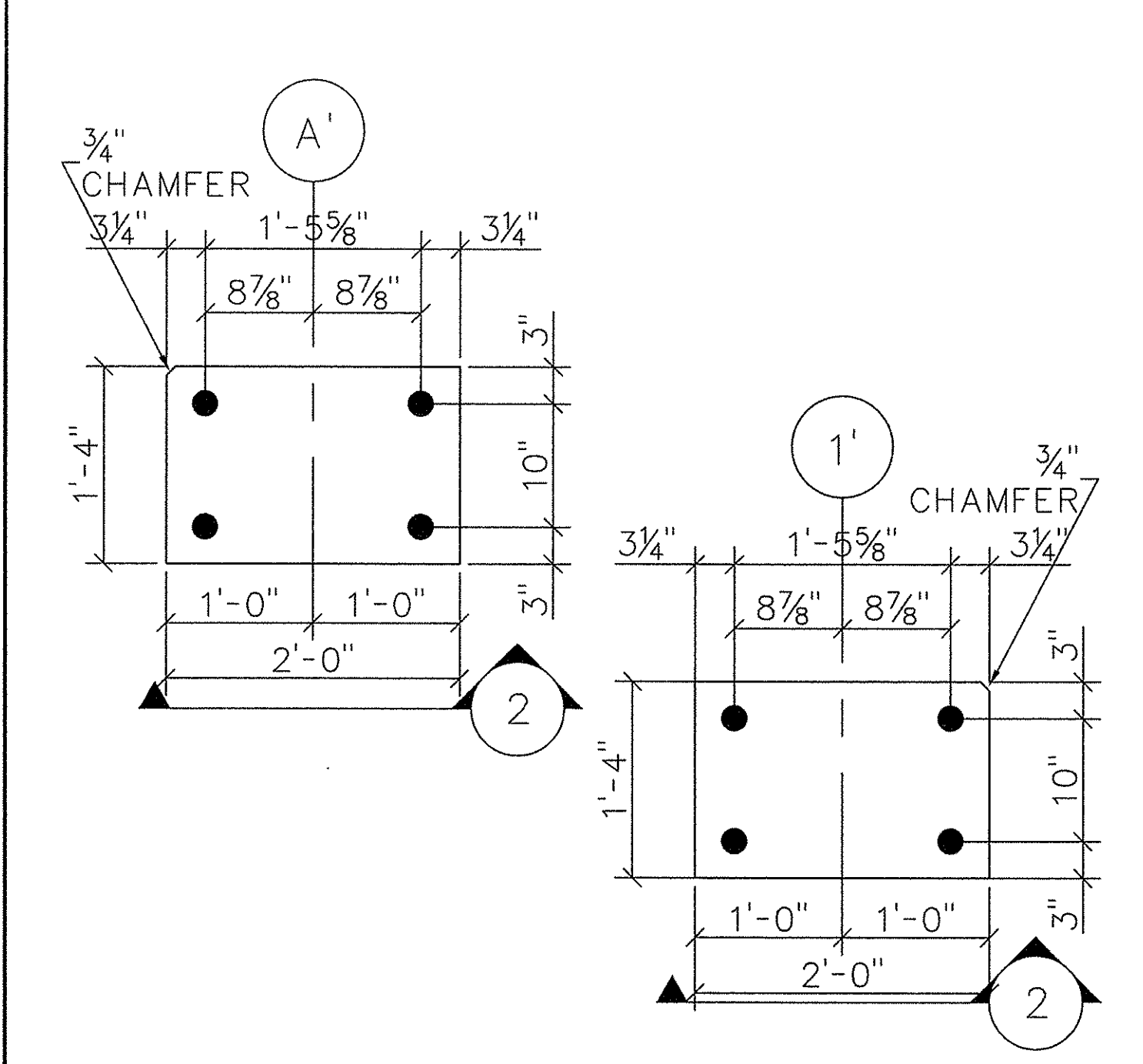


REVISION RECORD	
NO.	DATE
1	01/15/07
2	05/02/07
3	
4	
5	
6	
7	
8	

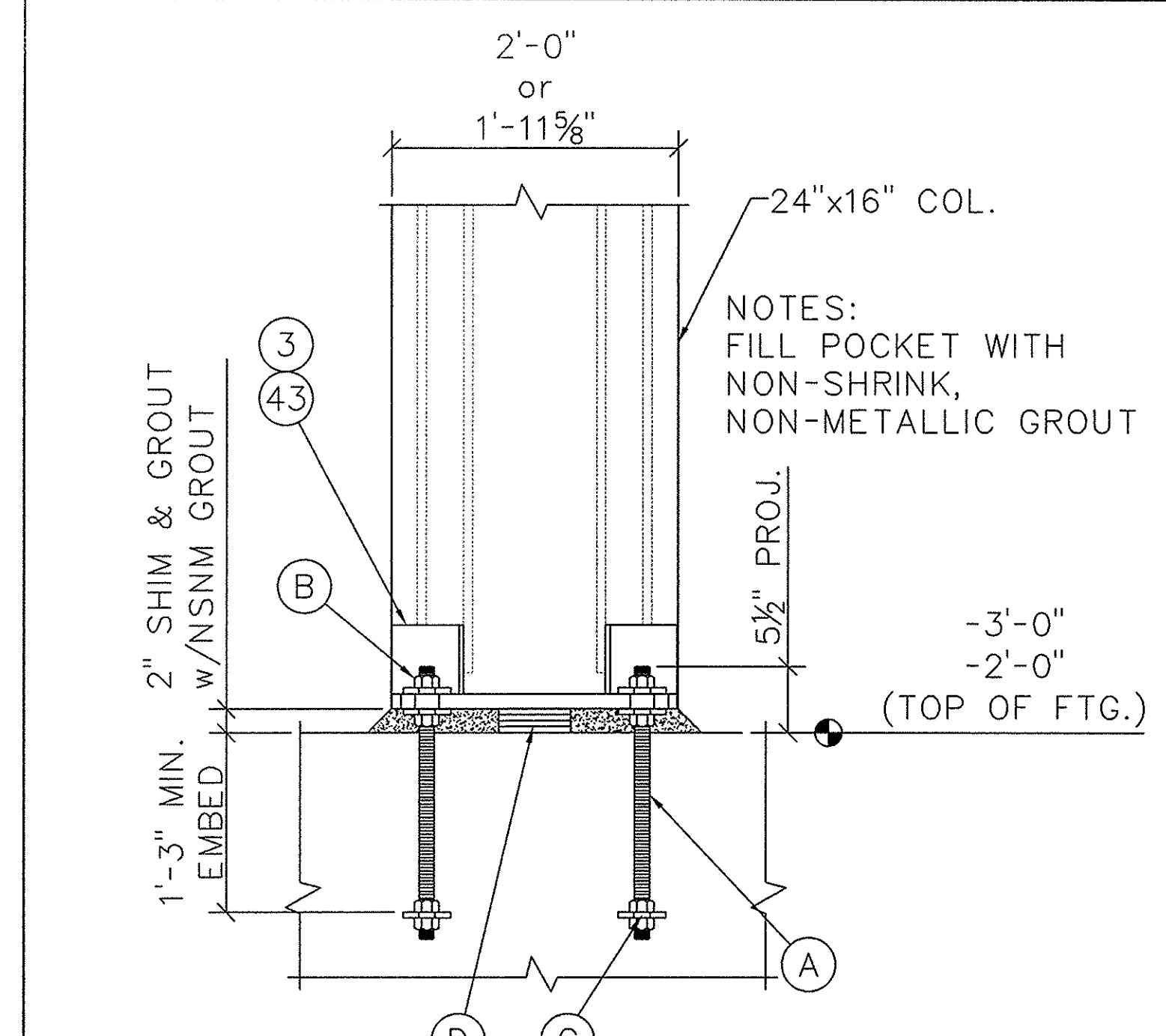
FLORENCE CONCRETE PRODUCTS, INC.
 ARCHITECTURAL & STRUCTURAL PRECAST CONCRETE
 865 INDUSTRIAL ROAD, SUMMER, SC 29150
 PHONE: (803) 775-4372 FAX: (803) 775-8569



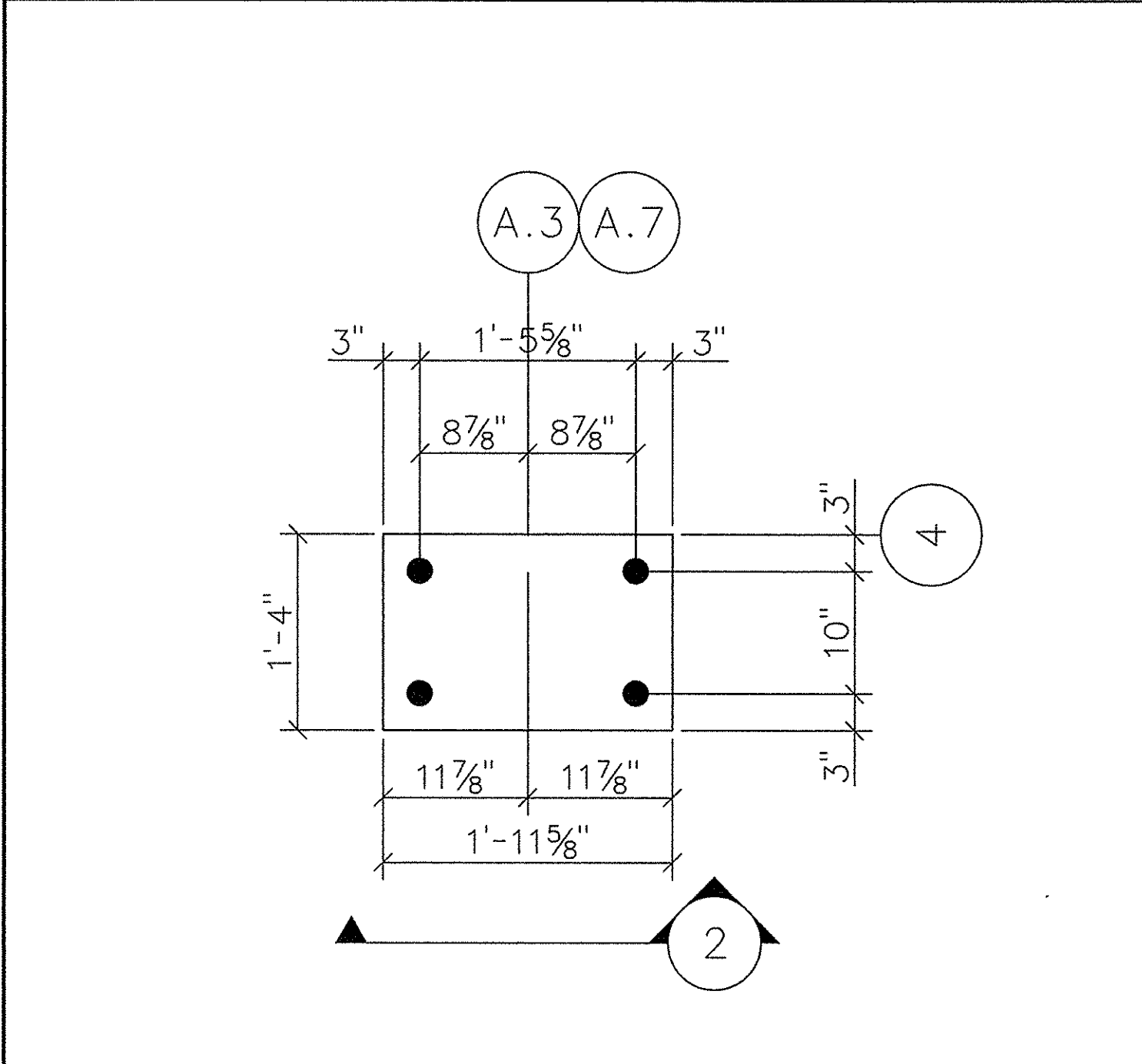
CUSTOMER: SUMMERVILLE TOWN HALL PARKING GARAGE
 PROJECT NAME & ADDRESS: SUMMERVILLE, SC
 SECTIONS OF RAMP BETWEEN 1 & 2 AND 3 & 4
 DRAWN BY: PHK
 CHECKED BY: [Signature]
 DATE: 01/15/07
 SCALE: 1/8" = 1'-0"



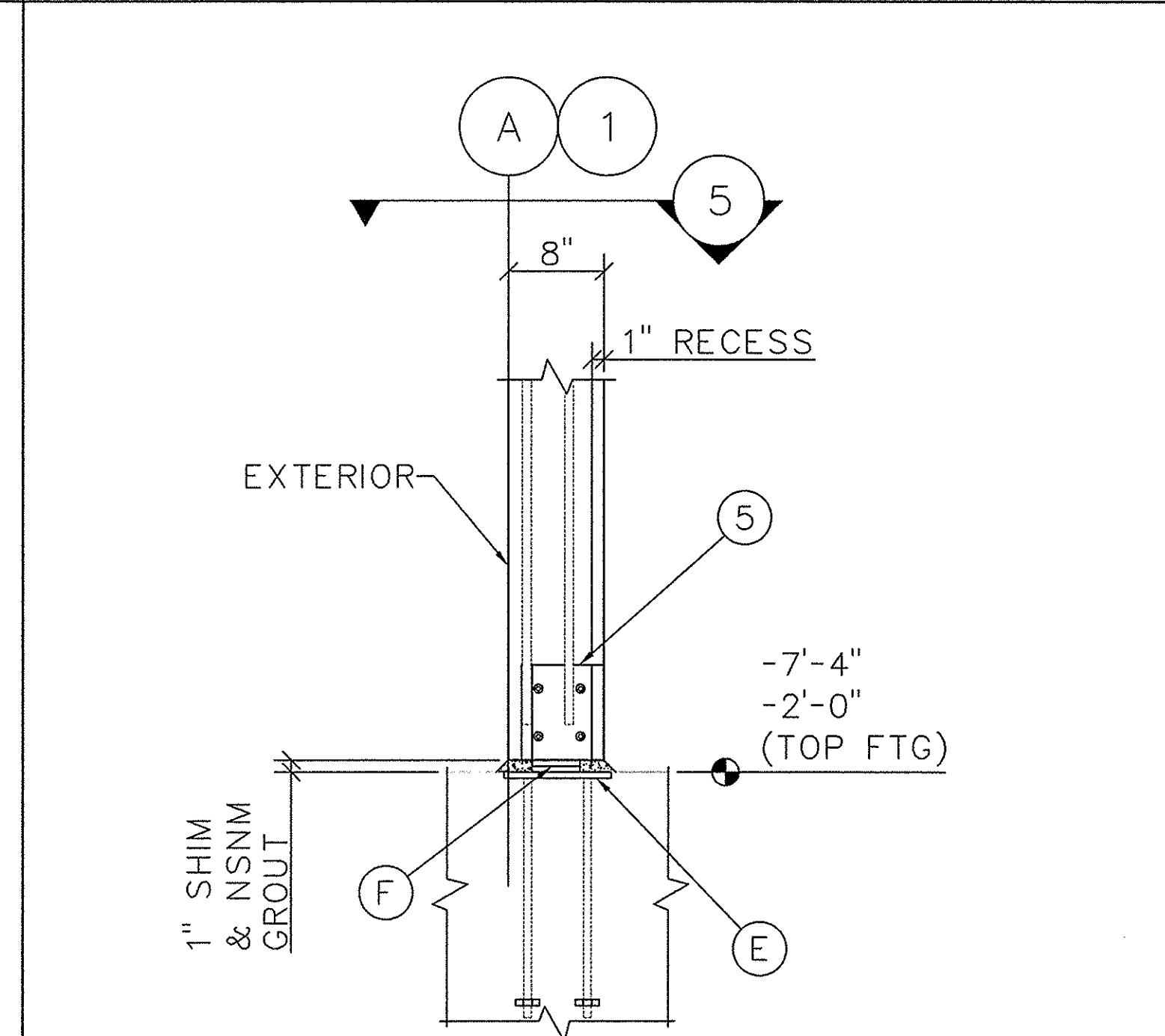
DETAIL 01 1"=1'-0"



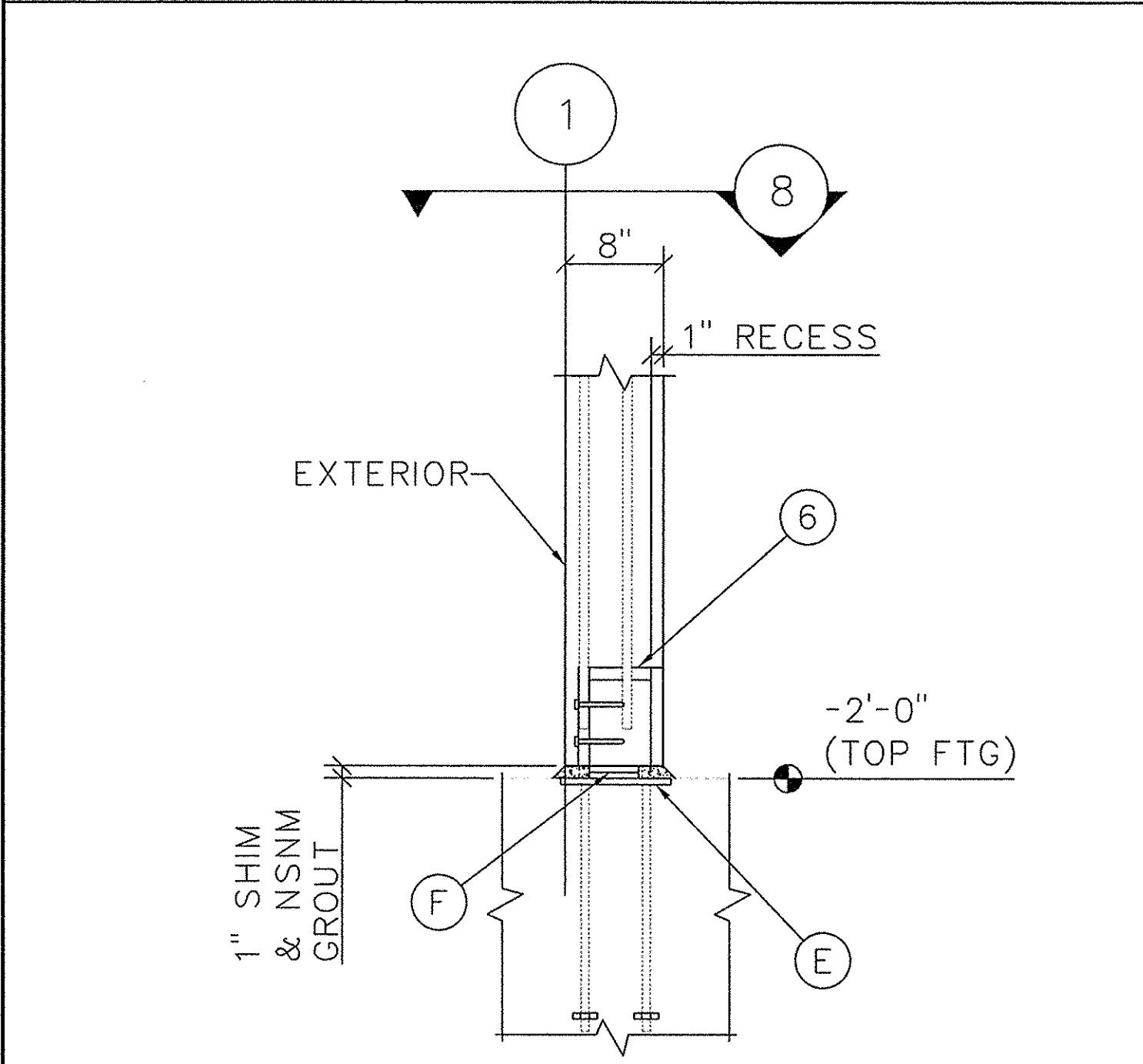
SECTION 02 3"=1'-0"



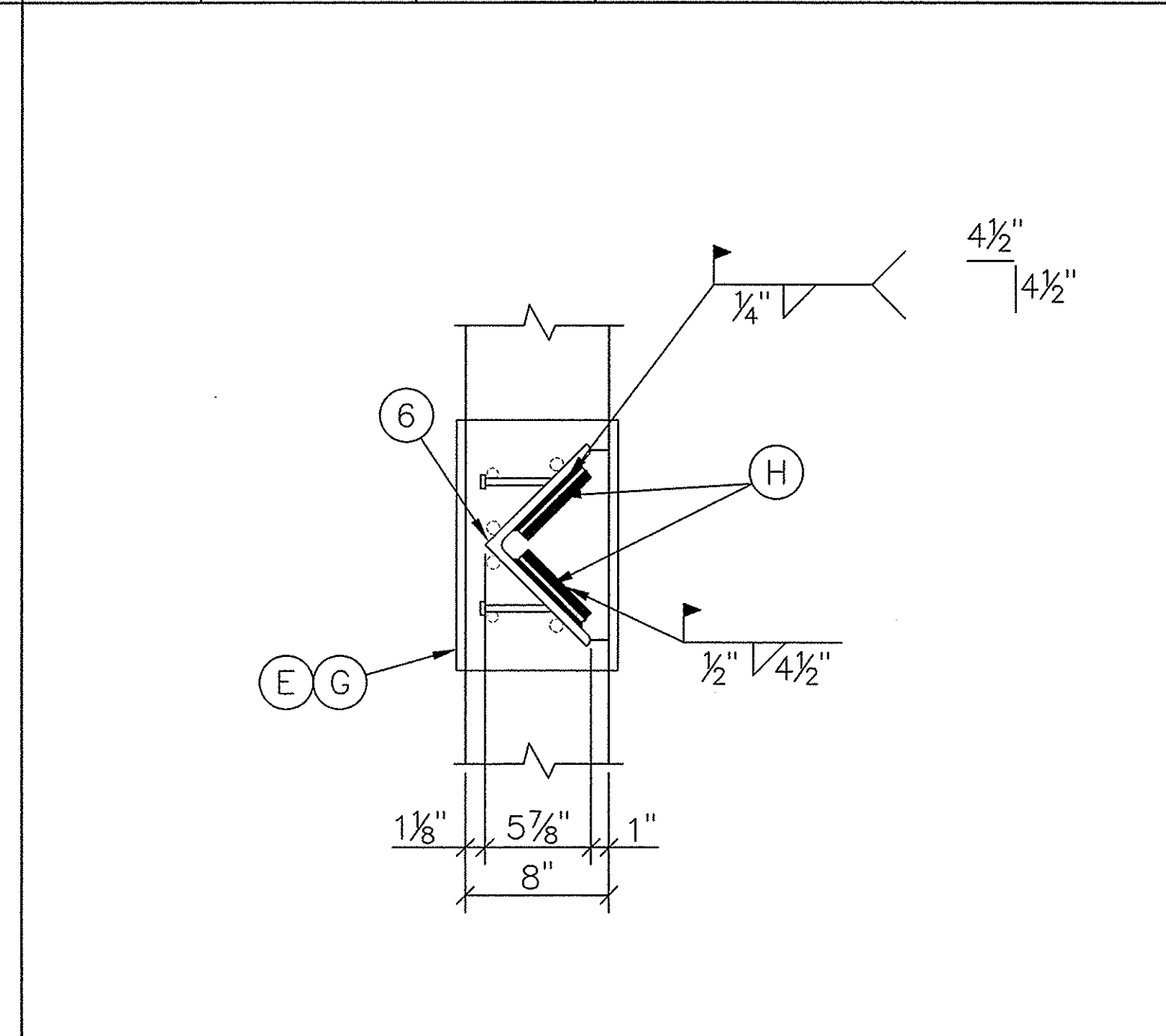
DETAIL 03 1 1/2"=1'-0"



SECTION 04 1"=1'-0"

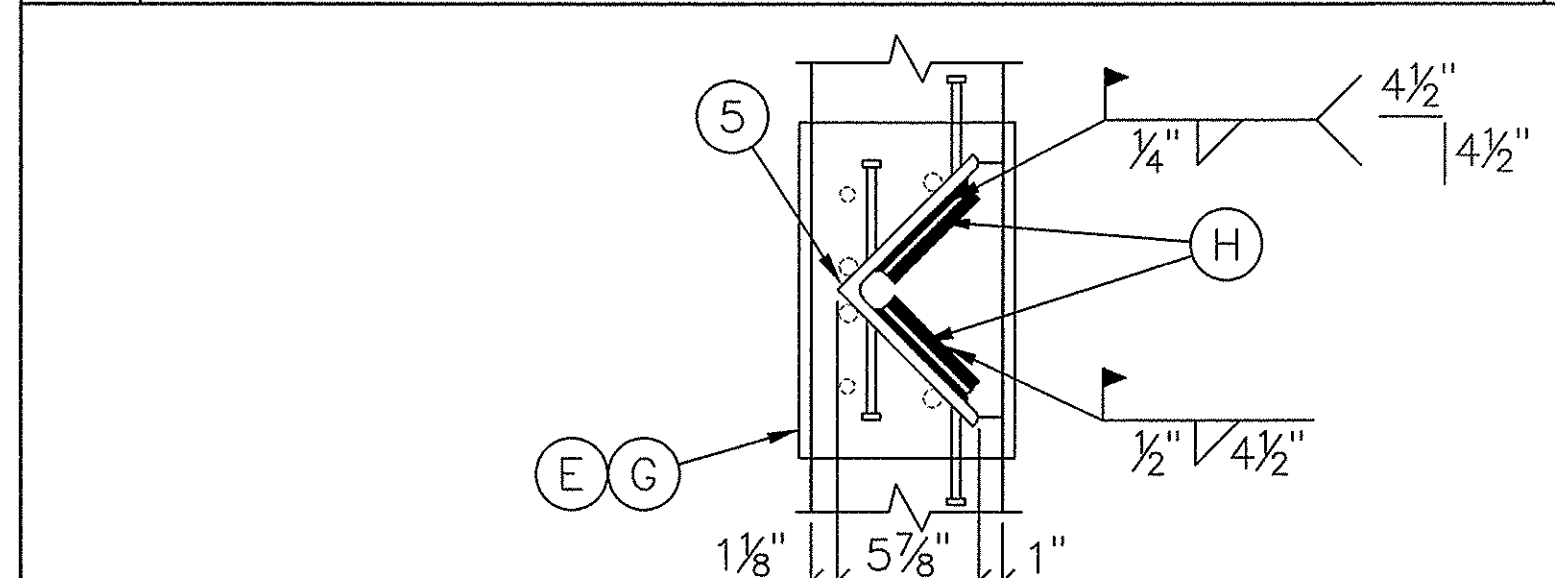


SECTION 07 1"=1'-0"

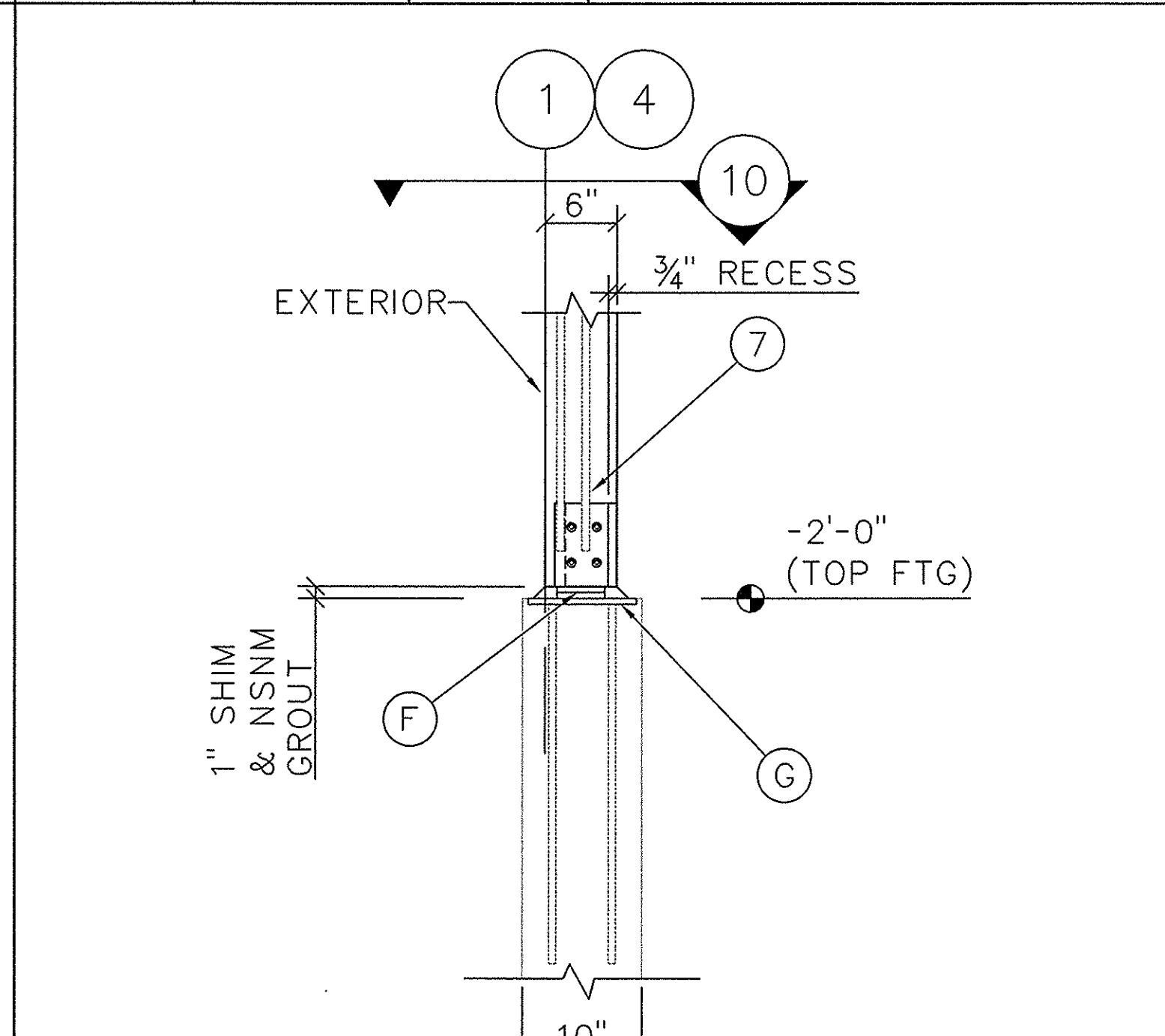


SECTION 08 1 1/2"=1'-0"

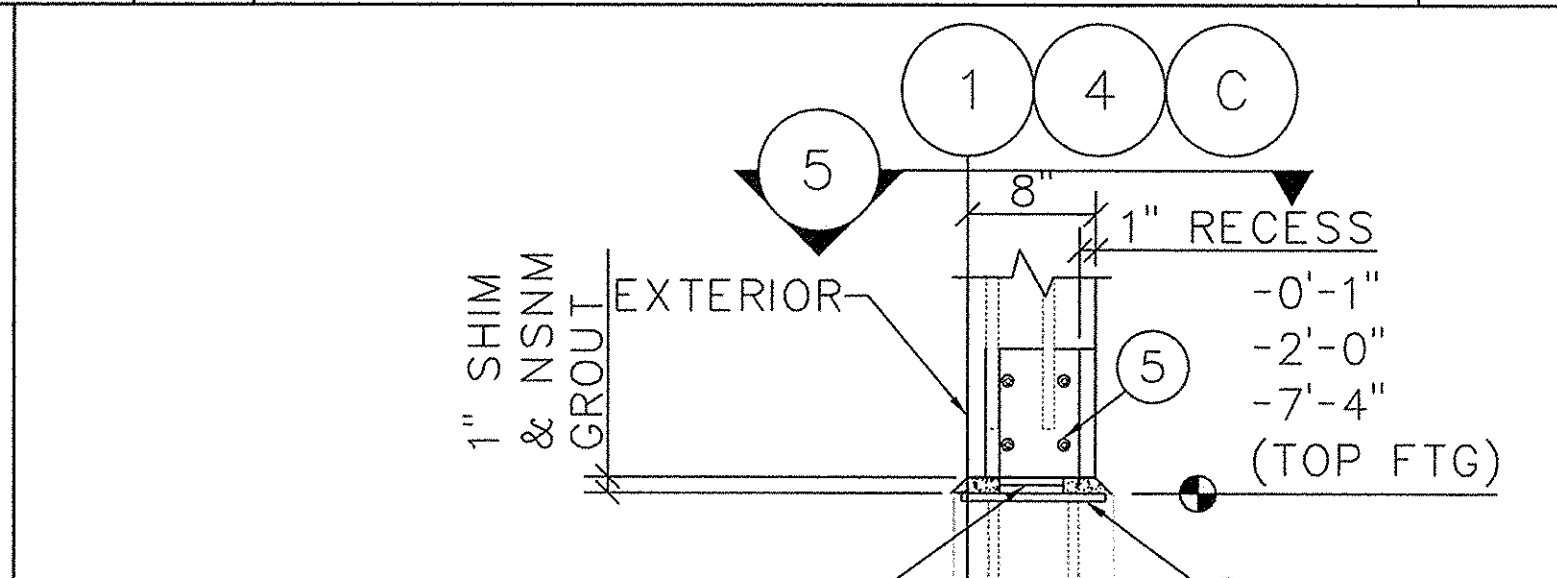
ITEM	CAST IN MATERIAL FURNISHED BY F.C.P.	FINISH	ITEM	ERECTION MATERIAL FURNISHED BY F.C.P.	FINISH
1	MP01 PL 3/8"x6"x8" w/(4)3/8"φx4" HAS & (2)#4x1'-9"	HDG	A	ME01 A36 ANCHOR BOLT 1 1/4"φx23" w/1/4"HHN & PL. 1/2"x4"x4"	NONE
2	MP02 PL 3/8"x6"x6" w/(4)3/8"φx4" HAS	HDG	B	ME08 PL 3/8"x6"x6" w/(4)3/8"φx4" HAS	HDG
3	MP03 PL 1 1/4"x1'-3 7/8"x1'-11 7/8" w/(4)ANGLES 6"x6"x3/8"x6" & (8)#6x4'-0"	HDG	C	ME02A PL 1/2"x9"x1'-2" w/(4)#5x1'-3" & (4)PL 1/2"x2"x2"	HDG
4	MP04 PL 3/8"x6"x6" w/(4)3/8"φx4" HAS & (2)#4x2'-6"	HDG	D	2"x6"x6" SHIM PACK	NONE
5	MP05 ANGLE 8"x8"x1/2"x7" w/(8)3/8"φx4" HAS & (4)#5x3'-6"	SCP	E	ME02 PL 1/2"x9"x1'-2" w/(4)#5x1'-8" & (4)PL 1/2"x2"x2"	HDG
6	MP06 ANGLE 8"x8"x1/2"x7" w/(4)3/8"φx4" HAS & (4)#5x3'-6"	SCP	F	1"x4"x4" SHIM PACK	NONE
7	MP07 ANGLE 6"x6"x1/2"x7" w/(8)3/8"φx4" HAS & (4)#5x3'-6"	SCP	G	ME03 PL 1/2"x9"x1'-2" w/(4)#5x2'-6"	HDG
8	MP29 ADD ON CORBEL ASSEMBLY w/MP08 & MP09	HDG	H	PL 1/2"x5"x7"	SCP
9	MP29A ADD ON CORBEL ASSEMBLY w/MP08A & MP09A	HDG	I	PL 3/8"x4"x6"	HDG
10	MP10 PL 3/8"x6"x7 1/4" w/(1)1/2"φx12" DBA & (1)#7x6'-0"	HDG	J	PL 3/8"x4"x8"	HDG
11	MP11 PL 3/8"x6"x8 1/4" w/(1)1/2"φx12" DBA & (1)#7x6'-0"	HDG	K	3/8"x4"xCONT. MASTICORD BEARING PAD	NONE
12	MP12 PL 3/8"x6 1/2"x7 1/4" w/(1)1/2"φx10" DBA & (1)#7x6'-0"	HDG	L	PL 1/2"x4 1/2"x7"	HDG
13	MP13 PL 3/8"x6"x6" w/(4)1/4"φx1" HAS & (2)#4x2'-0"	HDG	M	ME08 1/4"x2"x2" PLATE WASHER w/ 7/8" HOLE	SCP
14	MP14 PL 1/2"x7"x8" w/(4)1/2"φx6" HAS & (2)#5x3'-0"	HDG	N	1/2"x5"xCONT. KOROLATH BEARING PAD	NONE
15	MP15 PL 1/2"x6"x6" w/(2)1/2"φx12" DBA & (2)#5x3'-0"	HDG	O	PL 3/8"x4"x12"	HDG
16	MP30 C6x8.2 CHANNEL FRAME w/1/2"φx6" HAS STAGGERED @ 0'-4" O/C	HDG	P		
17	JVI MINI-V	SS	Q	2"φ PIPE (2 3/8" OD)x6"	SCP
18	JVI VECTOR CONNECTOR	SS	R	5/8"x5/8"x5" SQUARE BAR A304	SS
19	MP16 PL 1/2"x6"x6" w/(2)1/2"φx7" DBA & (2)#5x3'-0"	HDG	S	ANGLE 6"x6"x1/2"xCONT.	HDG
20	MP17 PL 3/8"x6"x8 1/4" w/(4)3/8"φx4" HAS	HDG	T	1/2"x5"x5" MASTICORD BEARING PAD	NONE
21	MP18 PL 3/4"x1'-1 1/2"x8" w/(4)#6x4'-6" & (4)#5x1'-10"	HDG	U	3/8"x3/8"x4" SQUARE BAR A304	SS
22	MP19 PL 3/8"x6"x1'-0" w/(8)1/2"φx18" DBA	HDG	V	1"x1"x4" SQUARE BAR A36	HDG
23	MP20 PL 3/8"x6"x8" w/(6)1/2"φx18" DBA	HDG	W	ANGLE 4"x6"x3/8"x4"	HDG
24	#7 BENT BAR	NONE	X		
25	1 1/2"x5" PVC SLEEVE	NONE	Y	HILTI HAS-E 3/4"φx10 (ITEM# 333201)	NONE
26	MP21 PL. 1/2"x6"x6" w/(4)1/2"φx5" HAS & 3/4"φ DR B25 COIL NUT	HDG	Z	ANGLE 1/4"x4"x4"	NONE
27	MP27 ADD ON CORBEL ASSEMBLY w/MP22 & MP24	HDG	AA	HSS 1/4"x4"x4"x5" LONG	HDG
28	MP27A ADD ON CORBEL ASSEMBLY w/MP23 & MP24	HDG	BB	1/2"x4"x4" MASTICORD BEARING PAD	NONE
29	DAYTON SUPERIOR B16 3/4"φx4" COIL LOOP INSERT w/T21 PLASTIC PLUG	NONE	CC	1/2"x6"x10" MASTICORD BEARING PAD	NONE
30	4"x6" PLASTIC DT BLOCKOUT	NONE	DD	3/4"x3/4"x4" SQUARE BAR A36	HDG
31	1"φx6" PVC	NONE	EE	#5 BENT BAR x 1'-3"	NONE
32	MP28 3/8"x5 1/2"x8 1/4" w/(1)1/2"φx12" DBA & (1)#7x6'-0"	HDG	FF	HILTI HY150 EPOXY	NONE
33	MP25 PLUG IN HAUNCH ASSEMBLY w/MP26	NONE	GG	1/2"x4"x4" SHIM PACK	NONE
34	MP25A PLUG IN HAUNCH ASSEMBLY w/MP26A	NONE	HH	3/4"φx7" LG HILTI KWIK BOLT III	NONE
35	MP25B PLUG IN HAUNCH ASSEMBLY w/MP26B	NONE	II	D/R B-5 HEAVY DUTY LONG PIPE BRACEx38"-4"	NONE
36	3"φx8" LONG METAL SLEEVE	NONE	JJ	D/R T-16 1 1/2"φ PIPE KNEE BRACEx10'-6"	NONE
37	MP18A PL 3/4"x1'-1 1/2"x8" w/(4)#7x4'-6" & (4)#5x1'-10 3/4"	HDG	KK	ME05 1/4"x3"x3" PLATE WASHER w/ 7/8"φ HOLE	SCP
38	MP31 PL 1/2"x1'-0"x8 1/4" w/(3)7/4"x4'-6" & (3)1/2"φx1'-0" DBA	HDG	LL	D/R T-17 SWIVEL COUPLER	NONE
39	MP32 ANGLE 4"x2"x1/4"x8" w/(2)1/2"φx18" DBA & (2)1/4"φx1" HAS	HDG	MM	ME06 1/2"x4"x4" w/1"φ MASTICORD PAD	NONE
40	MP27B ADD ON CORBEL ASSEMBLY w/MP37 & MP24	HDG	NN	ME07 PL. 1/2"x4"x4" w/7/8"φ HOLE	HDG
41	MP35 PL. 3/8"x6"x12" w/(5)3/8"φx3" HAS & #7x6'-0"	HDG	OO	D/R 3/4"φ B25 COIL NUT	NONE
42	MP36 PL. 1/2"x6"x14" w/(6)3/8"φx4" HAS	HDG	PP	3/4"φx9 1/2" COIL ROD	NONE
43	MP03A PL. 1 3/4"x1'-3 7/8"x1'-11 1/2" w/(4)ANGLES 6"x6"x3/8"x6" w/(8)#6x4'-0"	HDG	QQ	BENT PL 1/4"xVARIESxCONT	HDG
44	MP27C ADD ON CORBEL ASSEMBLY w/MP22A & MP24A	HDG	RR	PL 3/8"x4"xCONT	HDG



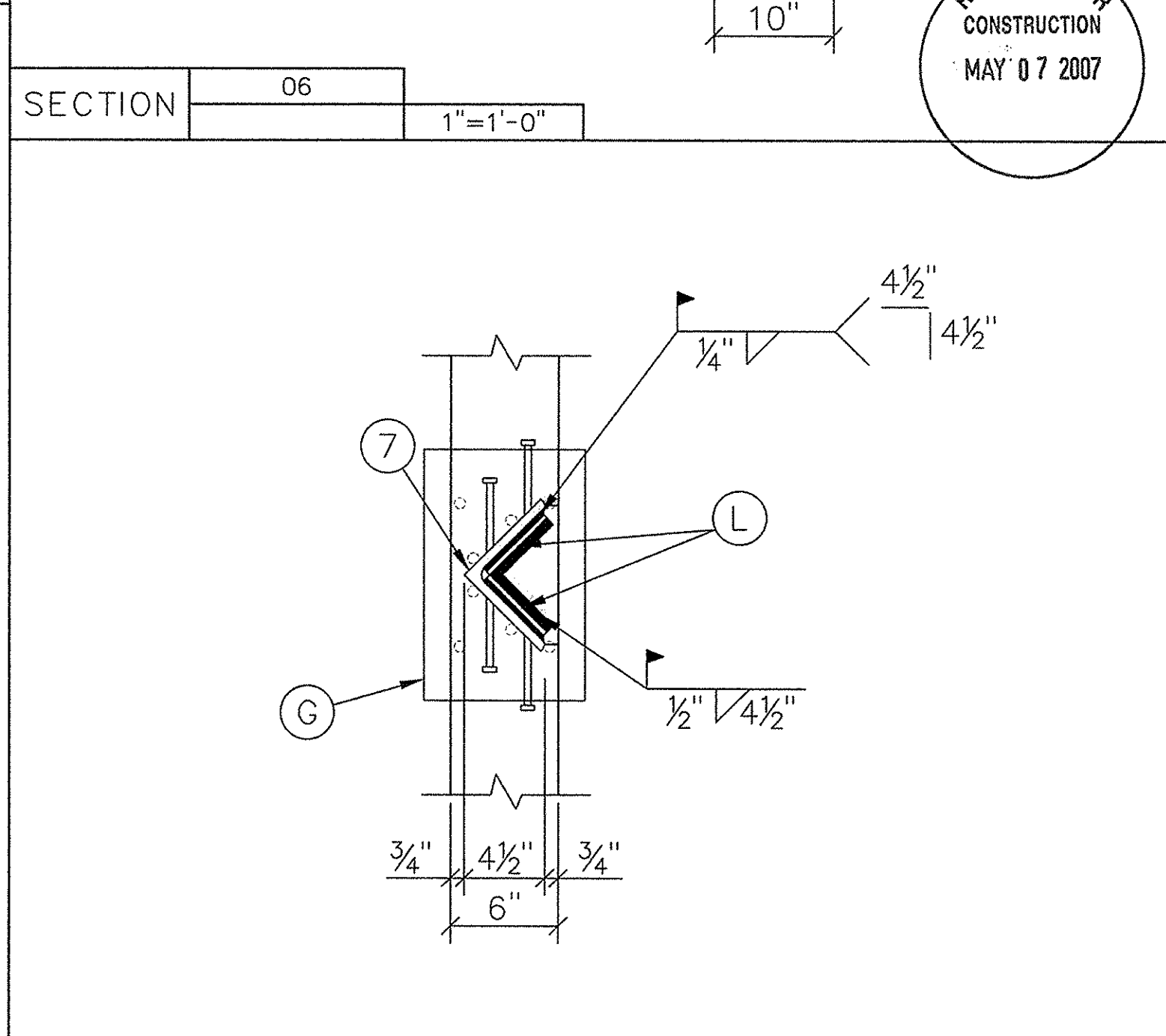
SECTION 05 1 1/2"=1'-0"



SECTION 09 1"=1'-0"



SECTION 06 1"=1'-0"



SECTION 10 1 1/2"=1'-0"

FLORENCE CONCRETE PRODUCTS, INC.
ARCHITECTURAL & STRUCTURAL PRECAST CONCRETE

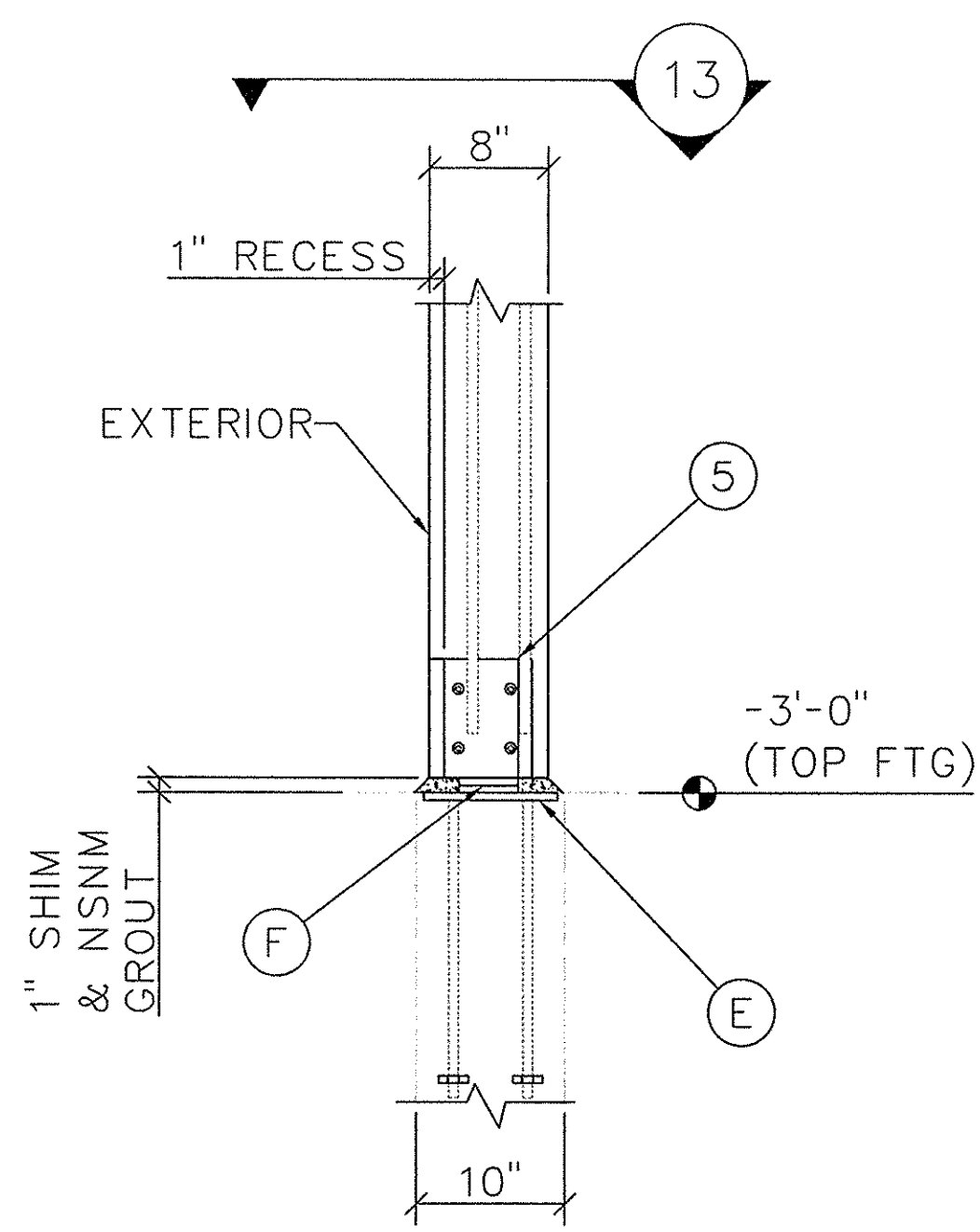
865 INDUSTRIAL ROAD, SUMTER, SC 29150
PHONE: (803) 775-4372 FAX: (803) 775-8569

RELEASED FOR CONSTRUCTION MAY 07 2007

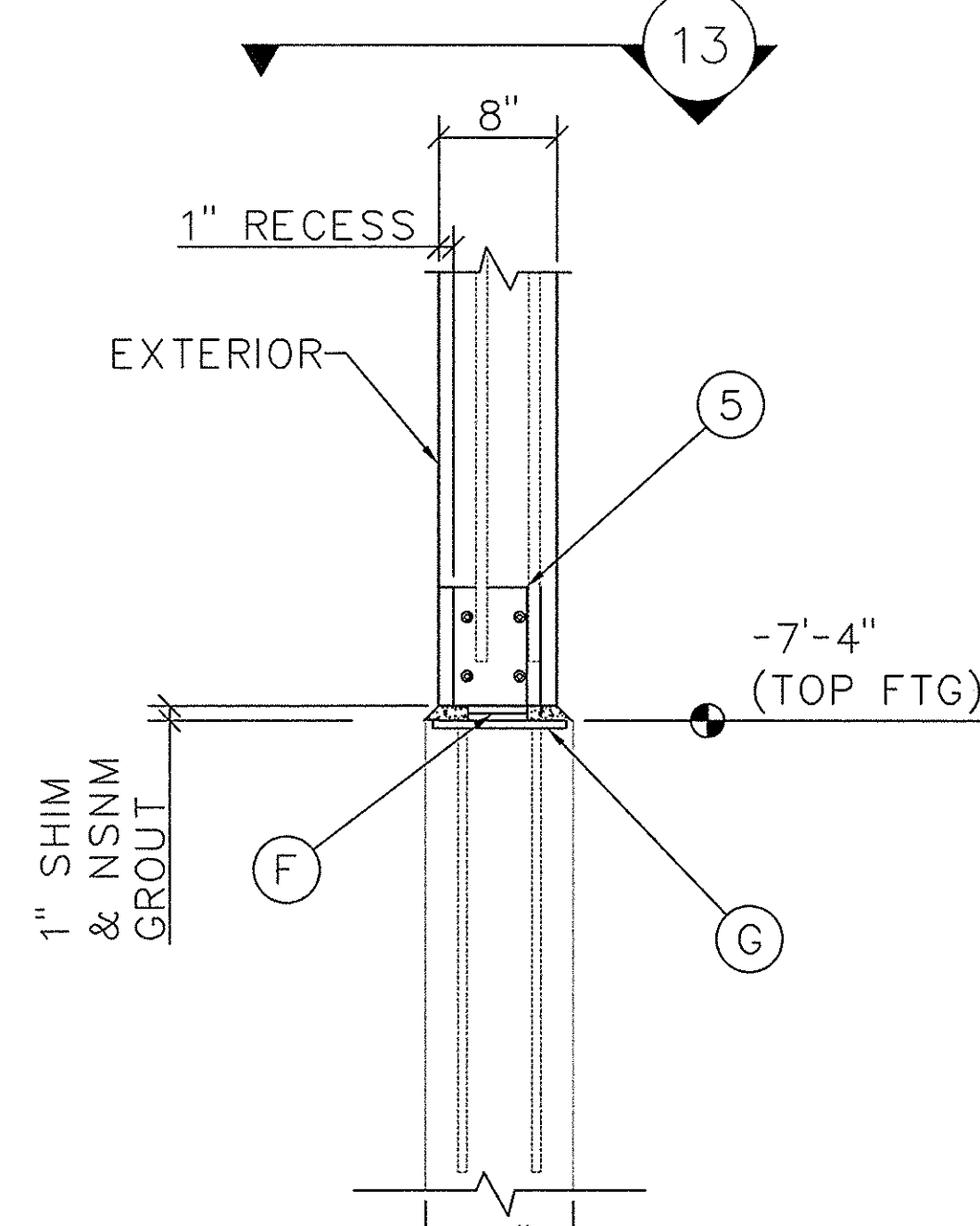
PALMETTO CONSTRUCTION GROUP
SUMMERVILLE TOWN HALL PARKING GARAGE
SUMMERVILLE, SC

SECTIONS AND DETAILS
DRAWN BY: PHK
CHECKED BY: PHK
DATE: 01/10/07
SCALE:

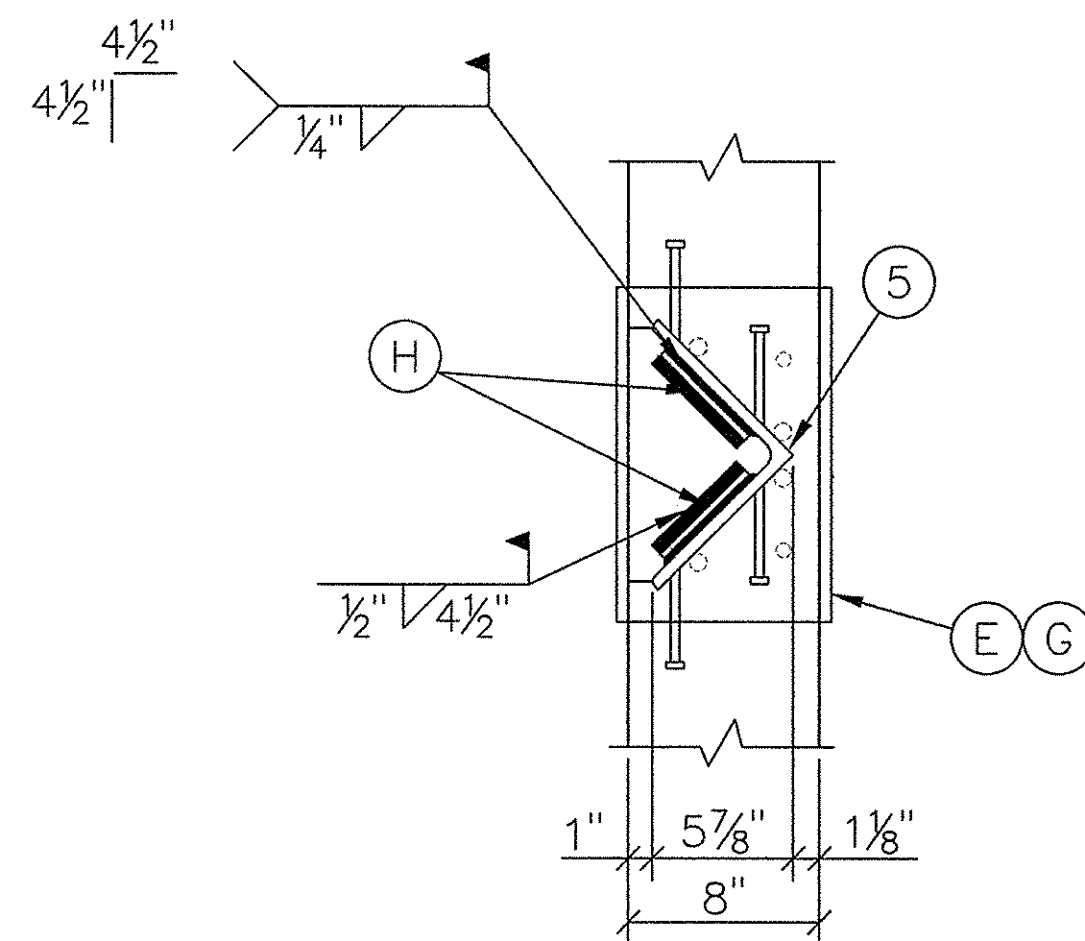
CUSTOMER: PALMETTO CONSTRUCTION GROUP
PROJECT NAME & ADDRESS: SUMMERVILLE TOWN HALL PARKING GARAGE, SUMMERVILLE, SC
PROJECT #: 3279
SHEET #: 19 of 33
DRAWING NUMBER: E17



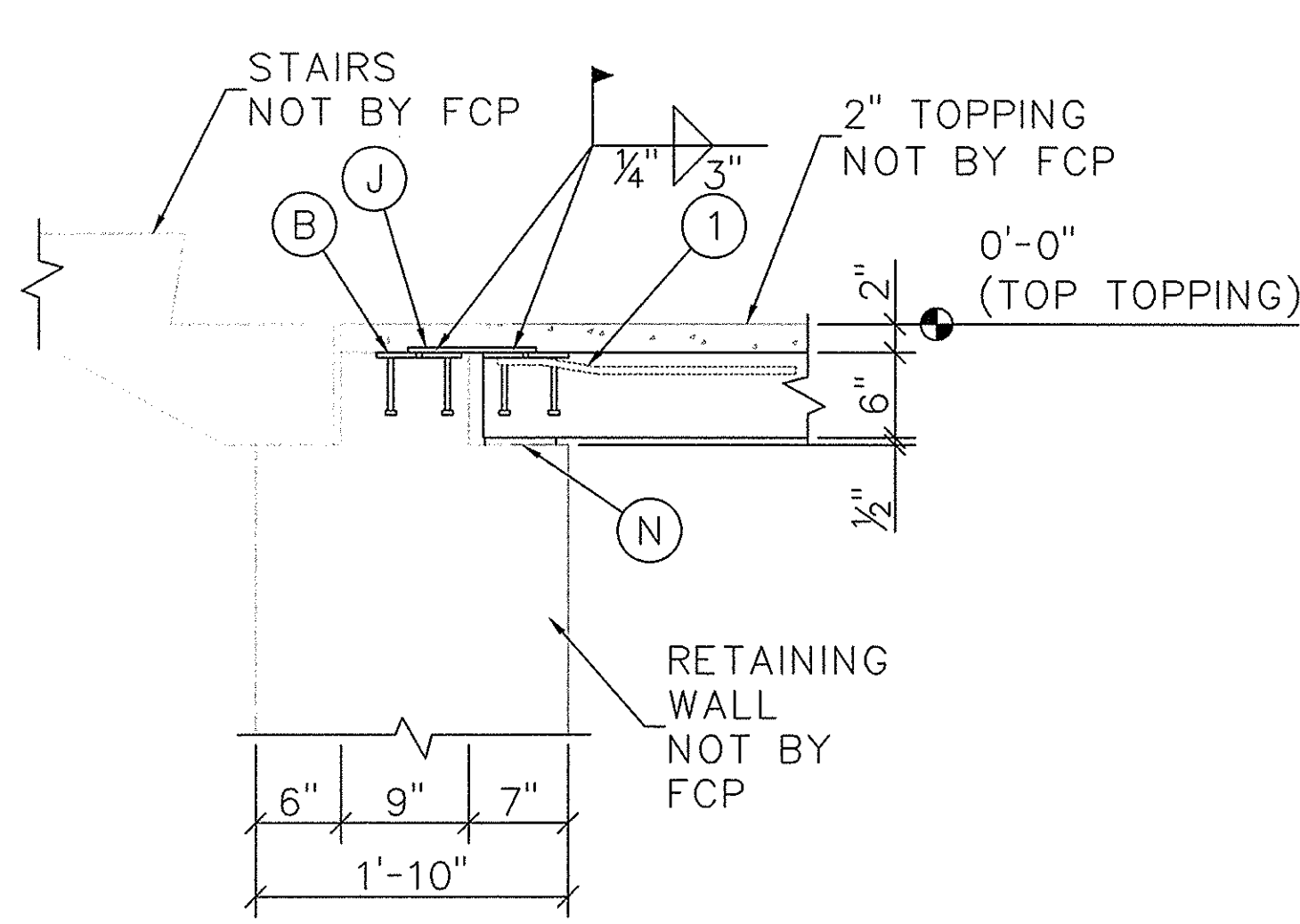
SECTION 11 1"=1'-0"



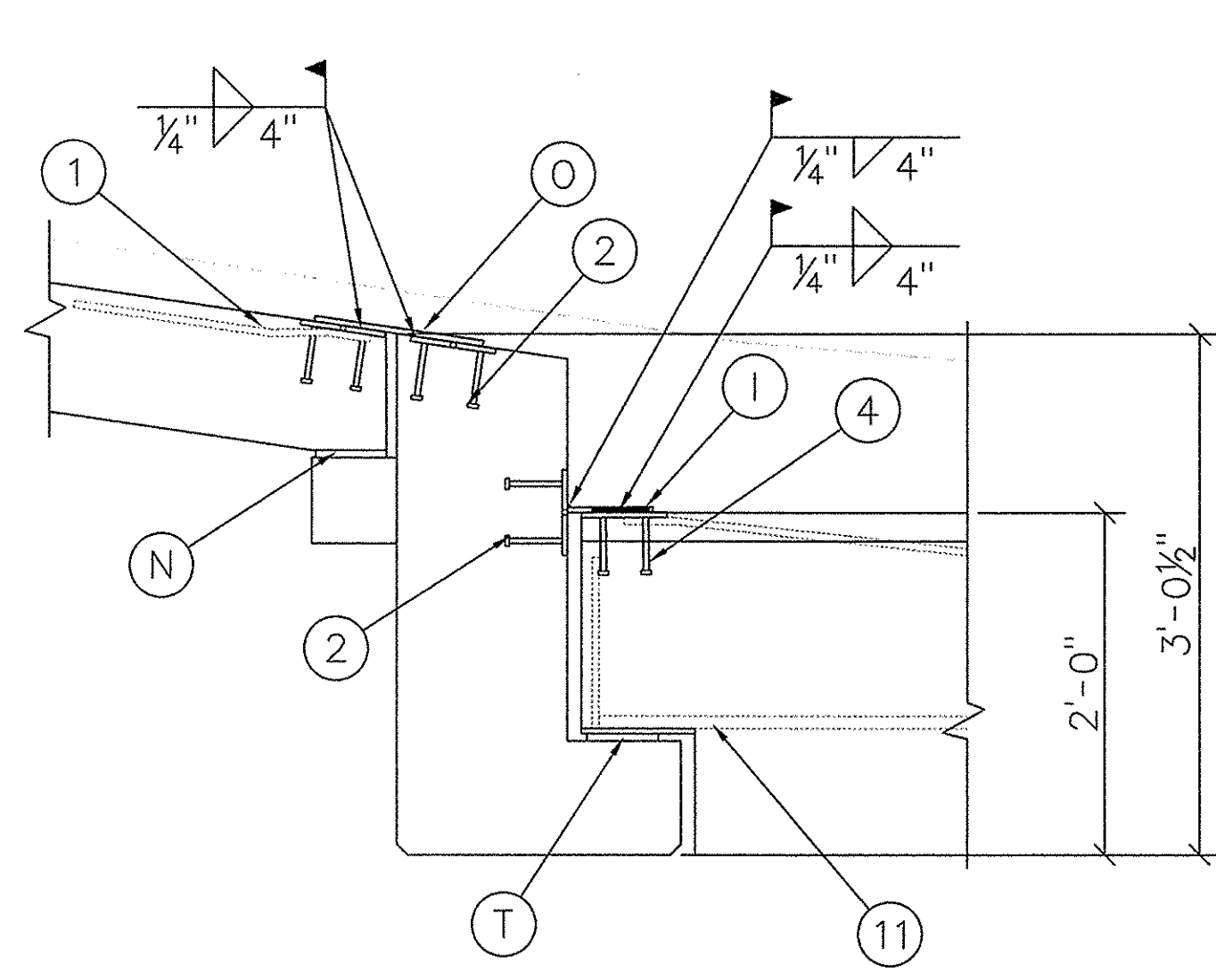
SECTION 12 1"=1'-0"



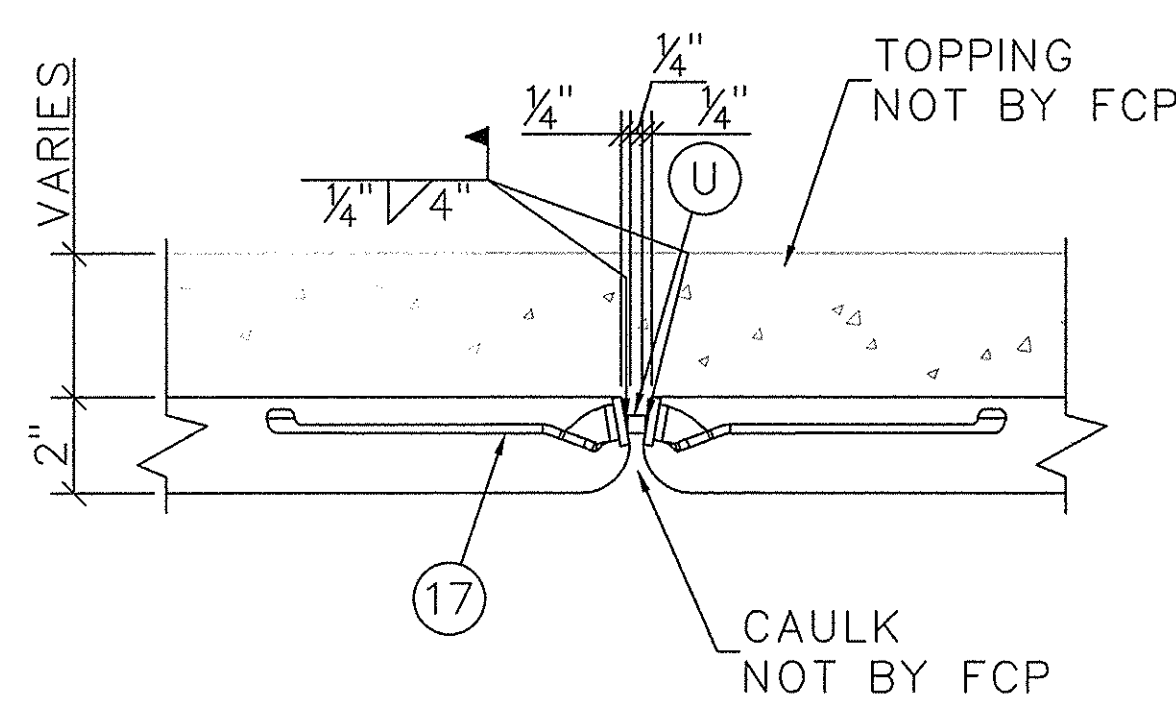
SECTION 13 1 1/2"=1'-0"



SECTION 14 1"=1'-0"

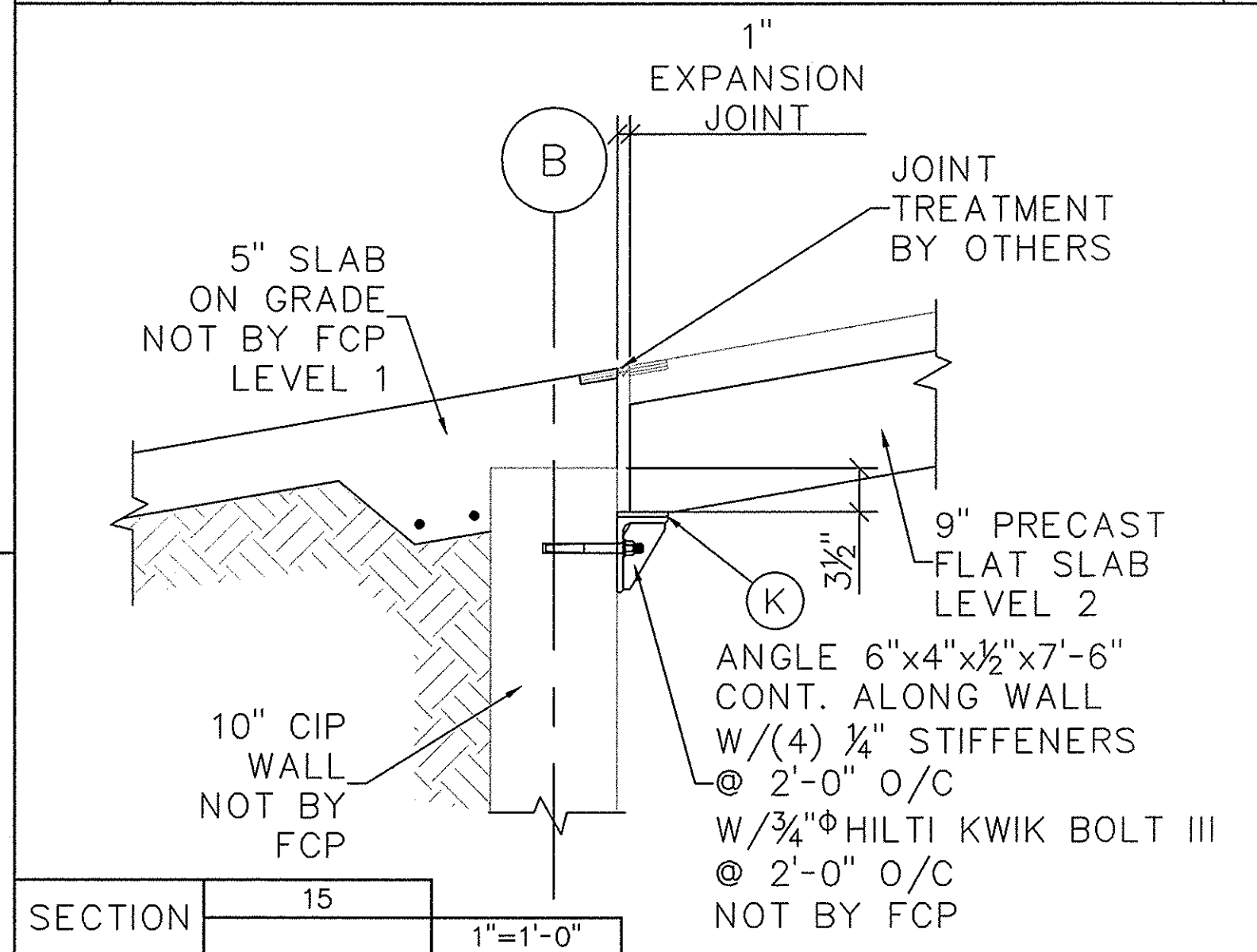


SECTION 17 1"=1'-0"

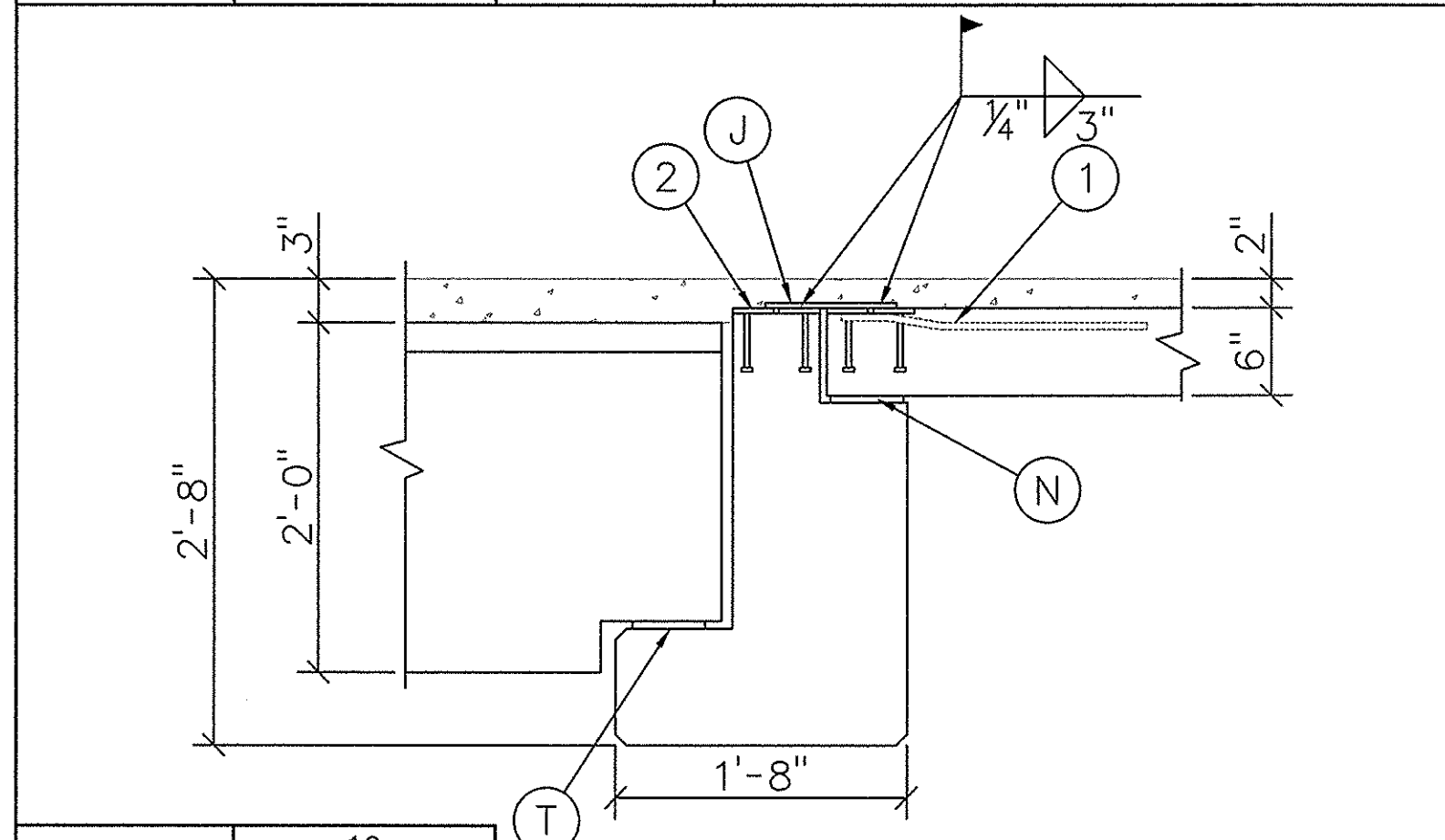


SECTION 18 1"=1'-0"

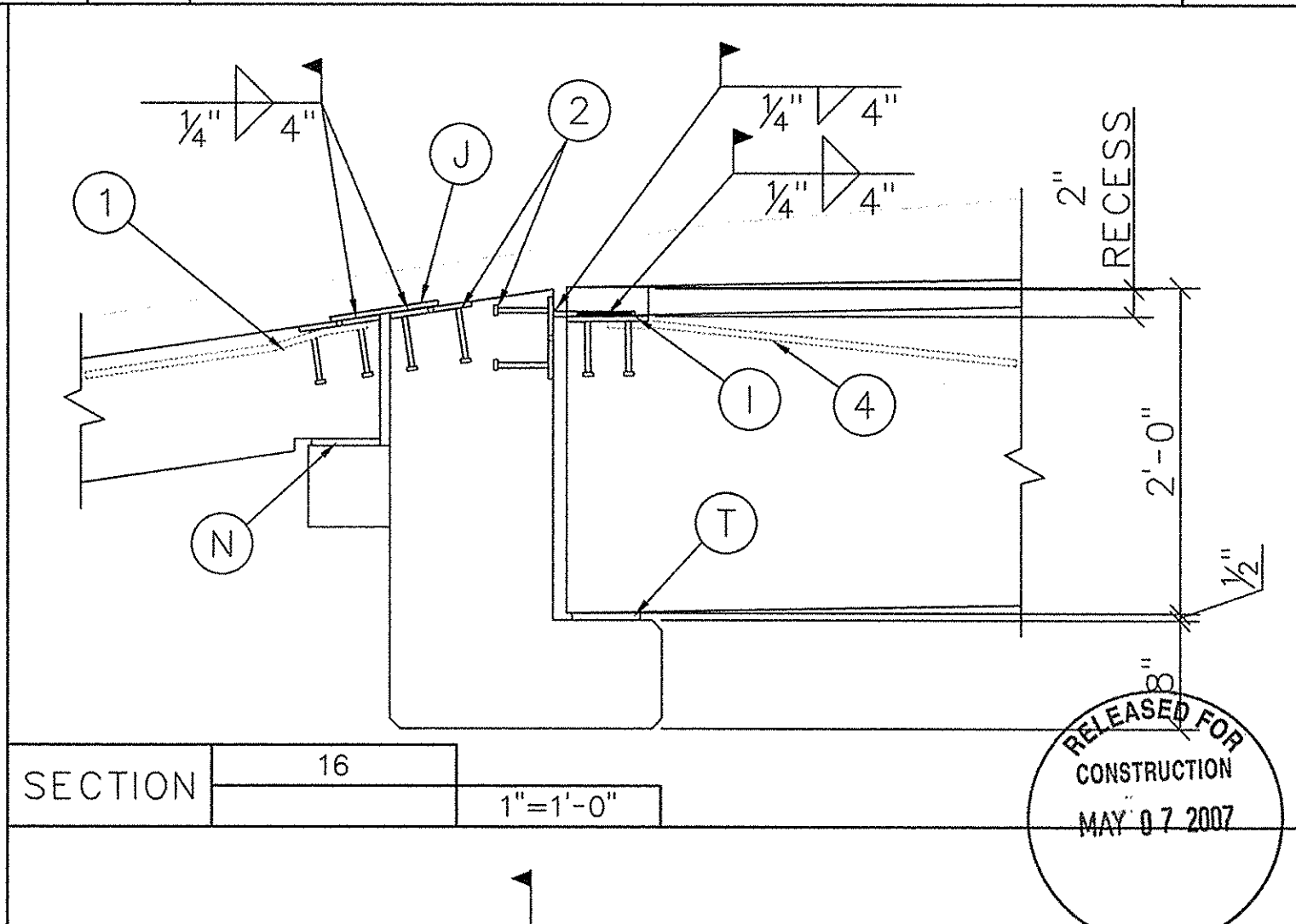
ITEM	CAST IN MATERIAL FURNISHED BY F.C.P.	FINISH	ITEM	ERECTION MATERIAL FURNISHED BY F.C.P.	FINISH
1	MP01 PL 3/8"x6"x8" w/(4)3/8"x4" HAS & (2)#4x1'-9"	HDG	A	ME01 A36 ANCHOR BOLT 1 1/4"x23" w/1/4"HNN & PL. 1/2"x4"x4"	NONE
2	MP02 PL 3/8"x6"x6" w/(4)3/8"x4" HAS	HDG	B	ME08 PL 3/8"x6"x6" w/(4)3/8"x4" HAS	HDG
3	MP03 PL 1 1/4"x1'-3 7/8"x1'-11 7/8" w/(4)ANGLES 6"x6"x3/8"x6" & (8)#6x4'-0"	HDG	C	ME02A PL 1/2"x9"x1'-2" w/(4)#5x1'-3" & (4)PL 1/2"x2"x2"	HDG
4	MP04 PL 3/8"x6"x6" w/(4)3/8"x4" HAS & (2)#4x2'-6"	HDG	D	2"x6"x6" SHIM PACK	NONE
5	MP05 ANGLE 8"x8"x1/2"x7" w/(8)3/8"x4" HAS & (4)#5x3'-6"	SCP	E	ME02 PL 1/2"x9"x1'-2" w/(4)#5x1'-8" & (4)PL 1/2"x2"x2"	HDG
6	MP06 ANGLE 8"x8"x1/2"x7" w/(4)3/8"x4" HAS & (4)#5x3'-6"	SCP	F	1"x4"x4" SHIM PACK	NONE
7	MP07 ANGLE 6"x6"x1/2"x7" w/(8)3/8"x4" HAS & (4)#5x3'-6"	SCP	G	ME03 PL 1/2"x9"x1'-2" w/(4)#5x2'-6"	HDG
8	MP29 ADD ON CORBEL ASSEMBLY w/MP08 & MP09	HDG	H	PL 1/2"x5"x7"	SCP
9	MP29A ADD ON CORBEL ASSEMBLY w/MP08A & MP09A	HDG	I	PL 3/8"x4"x6"	HDG
10	MP10 PL 3/8"x6"x7 1/4" w/(1)1/2"x12" DBA & (1)#7x6'-0"	HDG	J	PL 3/8"x4"x8"	HDG
11	MP11 PL 3/8"x6"x8 1/4" w/(1)1/2"x12" DBA & (1)#7x6'-0"	HDG	K	3/8"x4"xCONT. MASTICORD BEARING PAD	NONE
12	MP12 PL 3/8"x6 1/2"x7 1/4" w/(1)1/2"x10" DBA & (1)#7x6'-0"	HDG	L	PL 1/2"x4 1/2"x7"	HDG
13	MP13 PL 3/8"x6"x6" w/(4)1/4"x1" HAS & (2)#4x2'-0"	HDG	M	ME08 1/4"x2"x2" PLATE WASHER w/ 7/8" HOLE	SCP
14	MP14 PL 1/2"x7"x8" w/(4)1/2"x6" HAS & (2)#5x3'-0"	HDG	N	1/2"x5"xCONT. KOROLATH BEARING PAD	NONE
15	MP15 PL 1/2"x6"x6" w/(2)1/2"x12" DBA & (2)#5x3'-0"	HDG	O	PL 3/8"x4"x12"	HDG
16	MP30 C6x8.2 CHANNEL FRAME w/1/2"x6" HAS STAGGERED @ 0'-4" O/C	HDG	P		
17	JVI MINI-V	SS	Q	2" PIPE (2 3/8" OD)x6"	SCP
18	JVI VECTOR CONNECTOR	SS	R	3/8"x3/8"x5" SQUARE BAR A304	SS
19	MP16 PL 1/2"x6"x6" w/(2)1/2"x7" DBA & (2)#5x3'-0"	HDG	S	ANGLE 6"x6"x1/2"xCONT.	HDG
20	MP17 PL 3/8"x6"x8" w/(4)3/8"x4" HAS	HDG	T	1/2"x5"x5" MASTICORD BEARING PAD	NONE
21	MP18 PL 3/4"x1'-1 1/2"x8" w/(4)#6x4'-6" & (4)#5x1'-10"	HDG	U	3/8"x3/8"x4" SQUARE BAR A304	SS
22	MP19 PL 3/8"x6"x1'-0" w/(8)1/2"x18" DBA	HDG	V	1"x1"x4" SQUARE BAR A36	HDG
23	MP20 PL 3/8"x6"x8" w/(6)1/2"x18" DBA	HDG	W	ANGLE 4"x6"x3/8"x4"	HDG
24	#7 BENT BAR	NONE	X		
25	1 1/2"x5" PVC SLEEVE	NONE	Y	HILTI HAS-E 3/4"x10 (ITEM# 333201)	NONE
26	MP21 PL. 1/2"x6"x6" w/(4)1/2"x5" HAS & 3/4" DR B25 COIL NUT	HDG	Z	ANGLE 1/4"x4"x4"	NONE
27	MP27 ADD ON CORBEL ASSEMBLY w/MP22 & MP24	HDG			
28	MP27A ADD ON CORBEL ASSEMBLY w/MP23 & MP24	HDG	BB	1/2"x4"x4" MASTICORD BEARING PAD	NONE
29	DAYTON SUPERIOR B16 3/4"x4" COIL LOOP INSERT w/T21 PLASTIC PLUG	NONE	CC	1/2"x6"x10" MASTICORD BEARING PAD	NONE
30	4"x6" PLASTIC DT BLOCKOUT	NONE	DD	3/4"x3/4"x4" SQUARE BAR A36	HDG
31	1" x6" PVC	NONE	EE	#5 BENT BAR x 1'-3"	NONE
32	MP28 3/8"x5 1/2"x8 1/4" w/(1)1/2"x12" DBA & (1)#7x6'-0"	HDG	FF	HILTI HY150 EPOXY	NONE
33	MP25 PLUG IN HAUNCH ASSEMBLY w/MP26	NONE	GG	1/2"x4"x4" SHIM PACK	NONE
34	MP25A PLUG IN HAUNCH ASSEMBLY w/MP26A	NONE	HH	3/4"x7" LG HILTI KWIK BOLT III	NONE
35	MP25B PLUG IN HAUNCH ASSEMBLY w/MP26B	NONE	II	D/R B-5 HEAVY DUTY LONG PIPE BRACEx38"-4"	NONE
36	3" x8" LONG METAL SLEEVE	NONE	JJ	D/R T-16 1 1/2" PIPE KNEE BRACEx10'-6"	NONE
37	MP18A PL 3/4"x1'-1 1/2"x8" w/(4)#7x4'-6" & (4)#5x1'-10 3/4"	HDG	KK	ME05 1/4"x3"x3" PLATE WASHER w/ 7/8" HOLE	SCP
38	MP31 PL 1/2"x1'-0"x8 1/4" w/(3)#7x4'-6" & (3)1/2"x1'-0" DBA	HDG	LL	D/R T-17 SWIVEL COUPLER	NONE
39	MP32 ANGLE 4"x2"x1/4"x8" w/(2)1/2"x18" DBA & (2)1/4"x1" HAS	HDG	MM	ME06 1/2"x4"x4" w/1" MASTICORD PAD	NONE
40	MP27B ADD ON CORBEL ASSEMBLY w/MP37 & MP24	HDG	NN	ME07 PL. 1/2"x4"x4" w/7/8" HOLE	HDG
41	MP35 PL. 3/8"x6"x12" w/(5)3/8"x3" HAS & #7x6'-0"	HDG	OO	D/R 3/4" B25 COIL NUT	NONE
42	MP36 PL. 1/2"x6"x14" w/(6)3/8"x4" HAS	HDG	PP	3/4"x9 1/2" COIL ROD	NONE
43	MP03A PL. 1 3/4"x1'-3 7/8"x1'-11 7/8" w/(4)ANGLES 6"x6"x3/8"x6" w/(8)#6x4'-0"	HDG	QQ	BENT PL 1/4"xVARIESxCONT	HDG
44	MP27C ADD ON CORBEL ASSEMBLY w/MP22A & MP24A	HDG	RR	PL 3/8"x4"xCONT	HDG



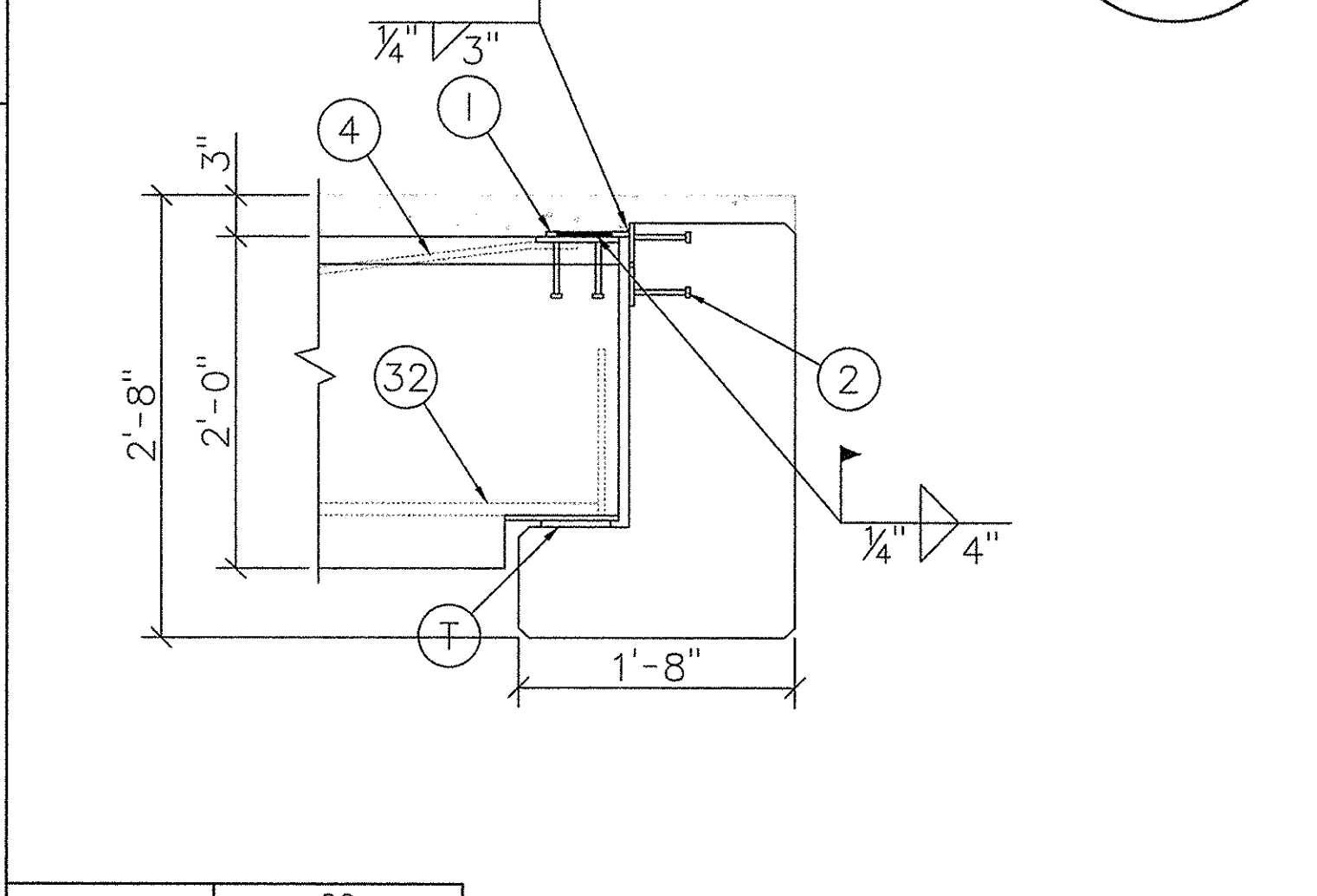
SECTION 15 1"=1'-0"



SECTION 19 1"=1'-0"



SECTION 16 1"=1'-0"

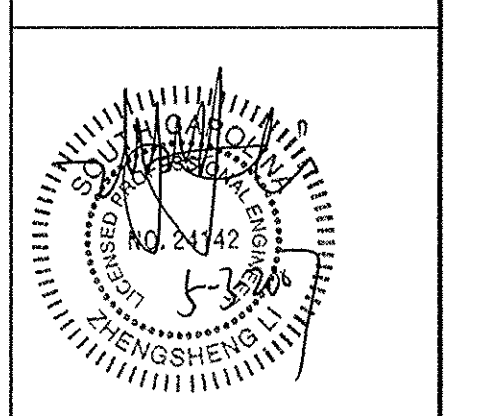


SECTION 20 1"=1'-0"

REVISION RECORD

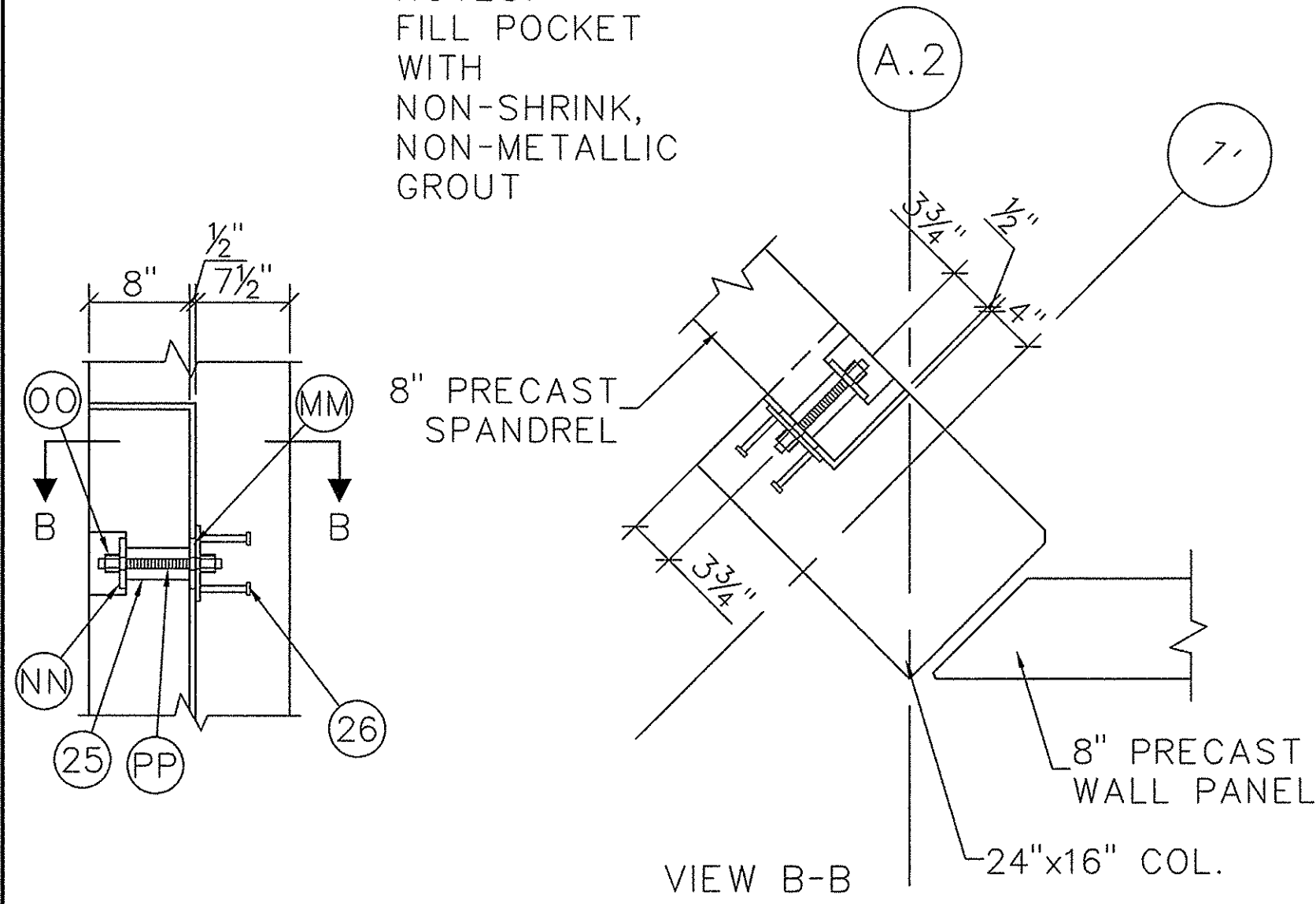
NO.	DATE	BY	REVISION
1	01/15/07	PHK	SUBMITTED FOR APPROVAL
2	05/02/07	SLR	RELEASED FOR CONSTRUCTION
3			
4			
5			
6			
7			
8			

FLORENCE CONCRETE PRODUCTS, INC.
 ARCHITECTURAL & STRUCTURAL PRECAST CONCRETE
 865 INDUSTRIAL ROAD, SUMTER, SC 29150
 PHONE: (803) 775-4372 FAX: (803) 775-8569

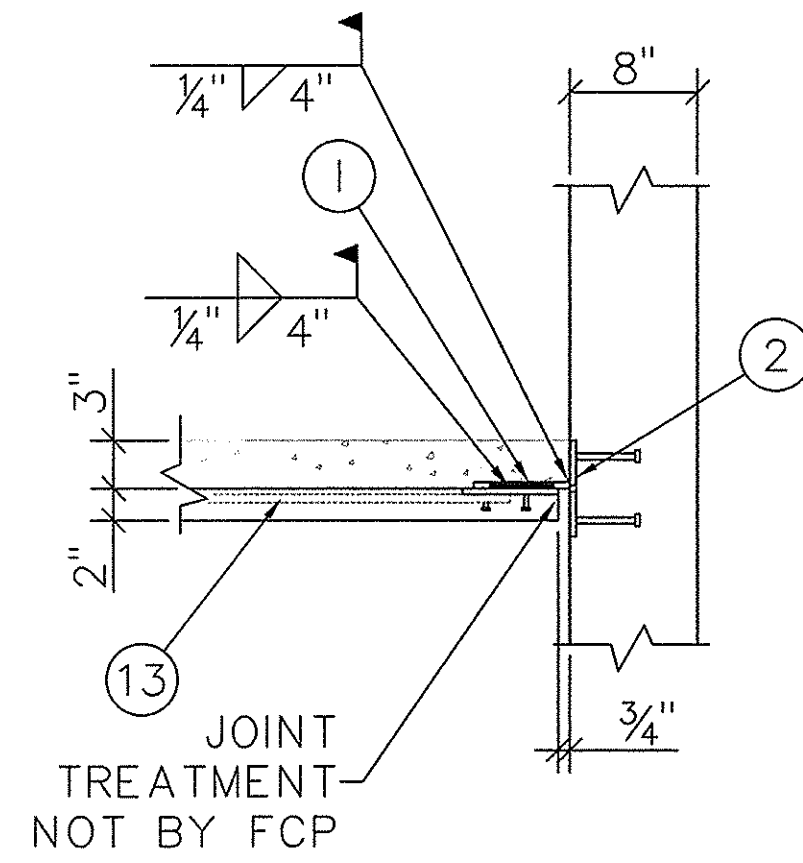


CUSTOMER: PALMETTO CONSTRUCTION GROUP
 PROJECT NAME & ADDRESS: SUMMERVILLE TOWN HALL PARKING GARAGE, SUMMERVILLE, SC
 SHEET #: 20 of 33 PROJECT #: 3279
 DRAWING NUMBER: E18
 DRAWN BY: PHK CHECKED BY: PHK
 DATE: 01/10/07 SCALE:

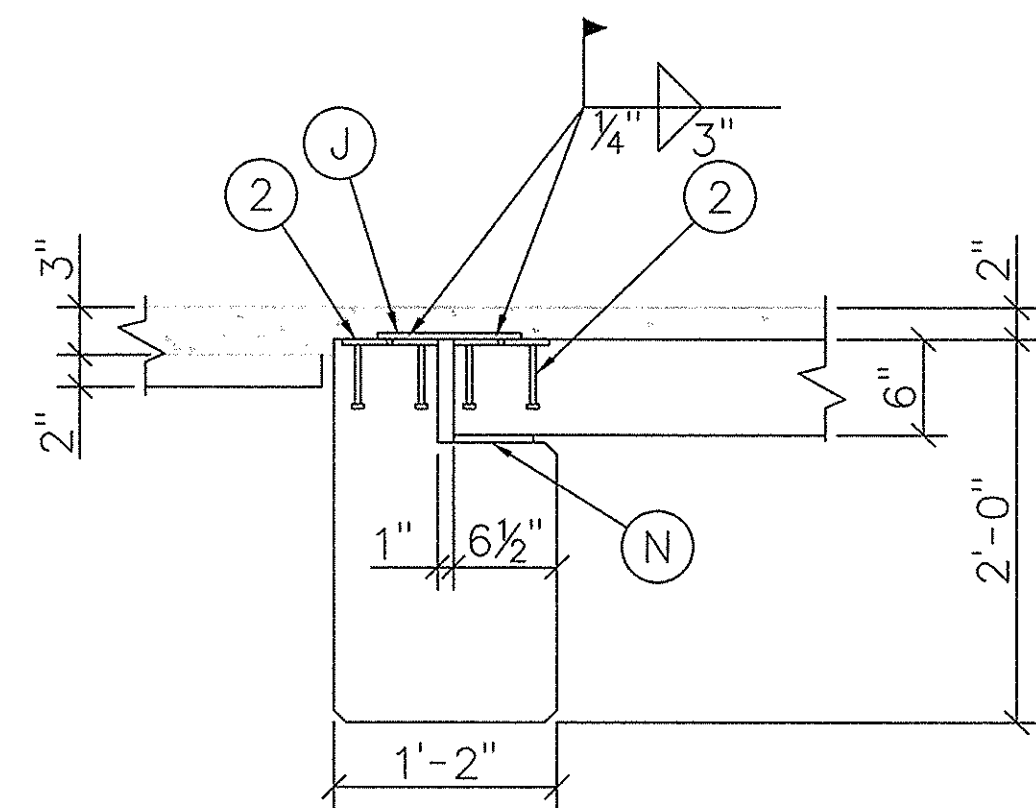
NOTES:
FILL POCKET WITH
NON-SHRINK,
NON-METALLIC
GROUT



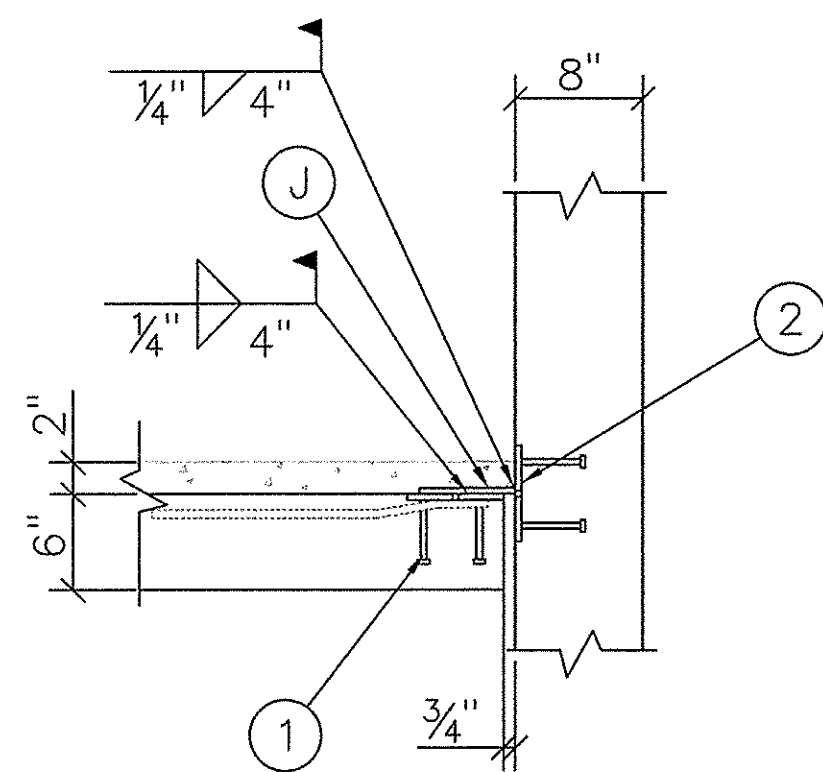
SECTION 31
1"=1'-0"



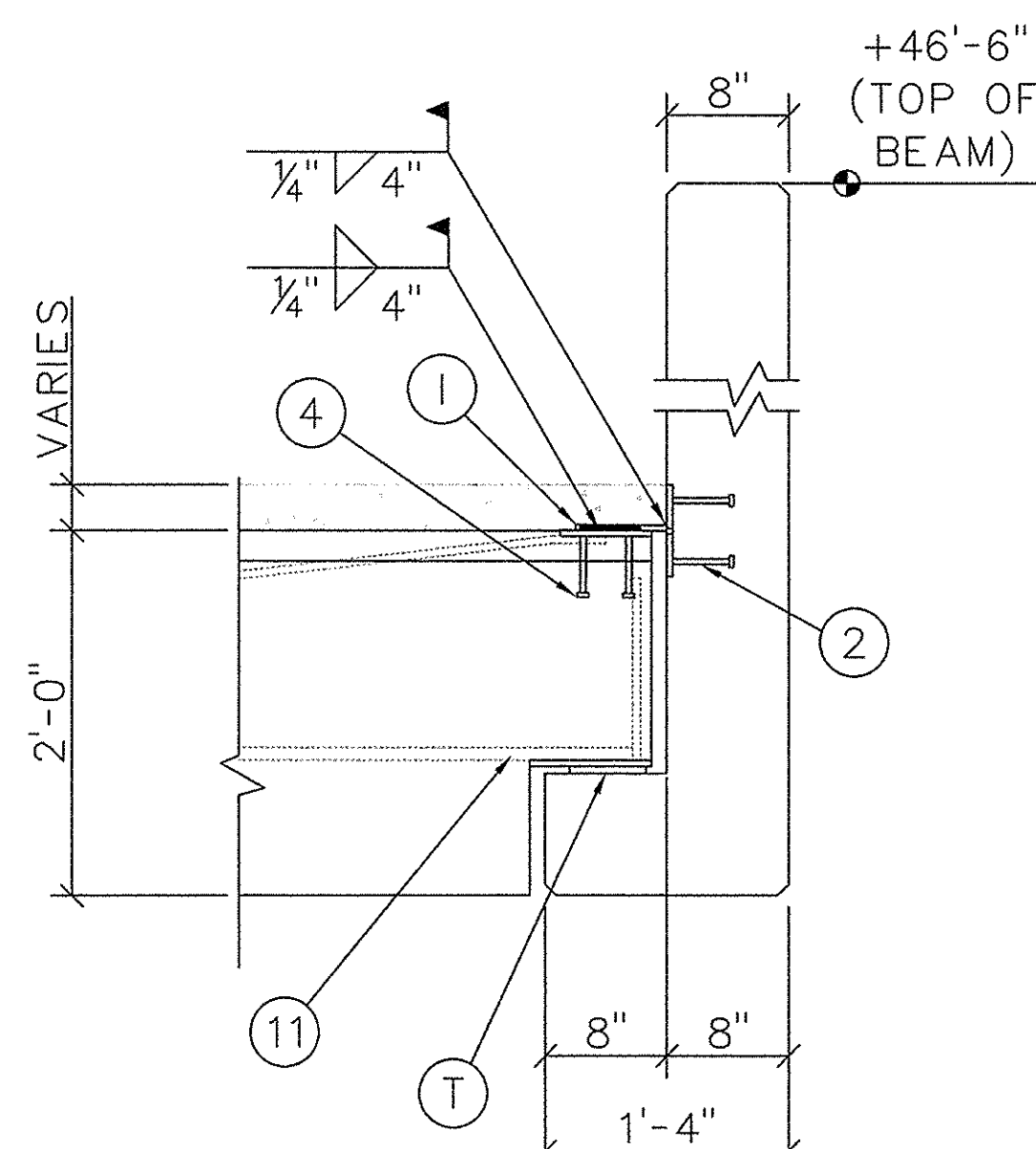
SECTION 32
1"=1'-0"



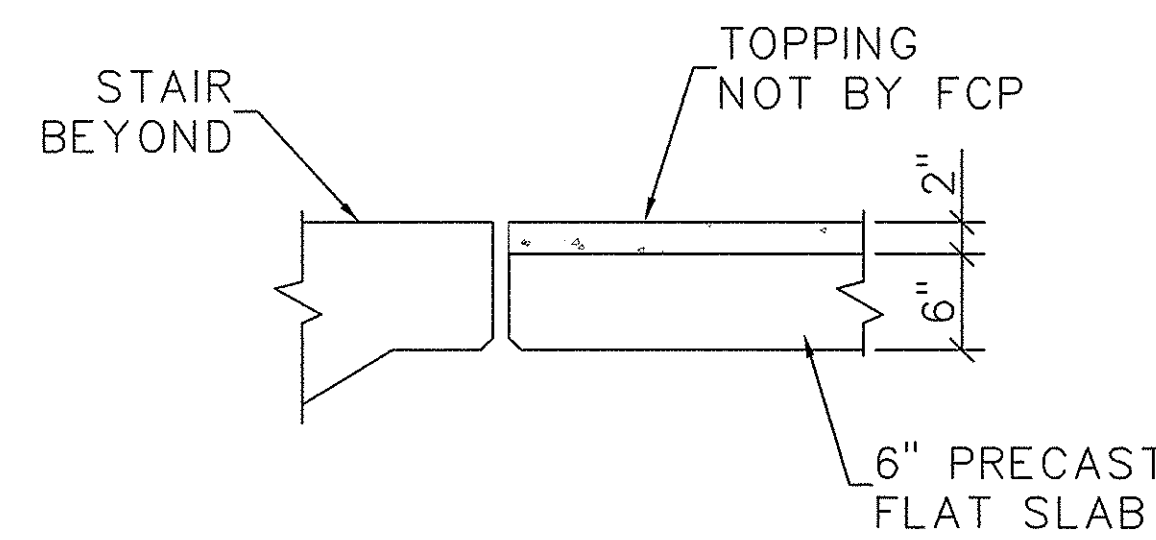
SECTION 33
1 1/2"=1'-0"



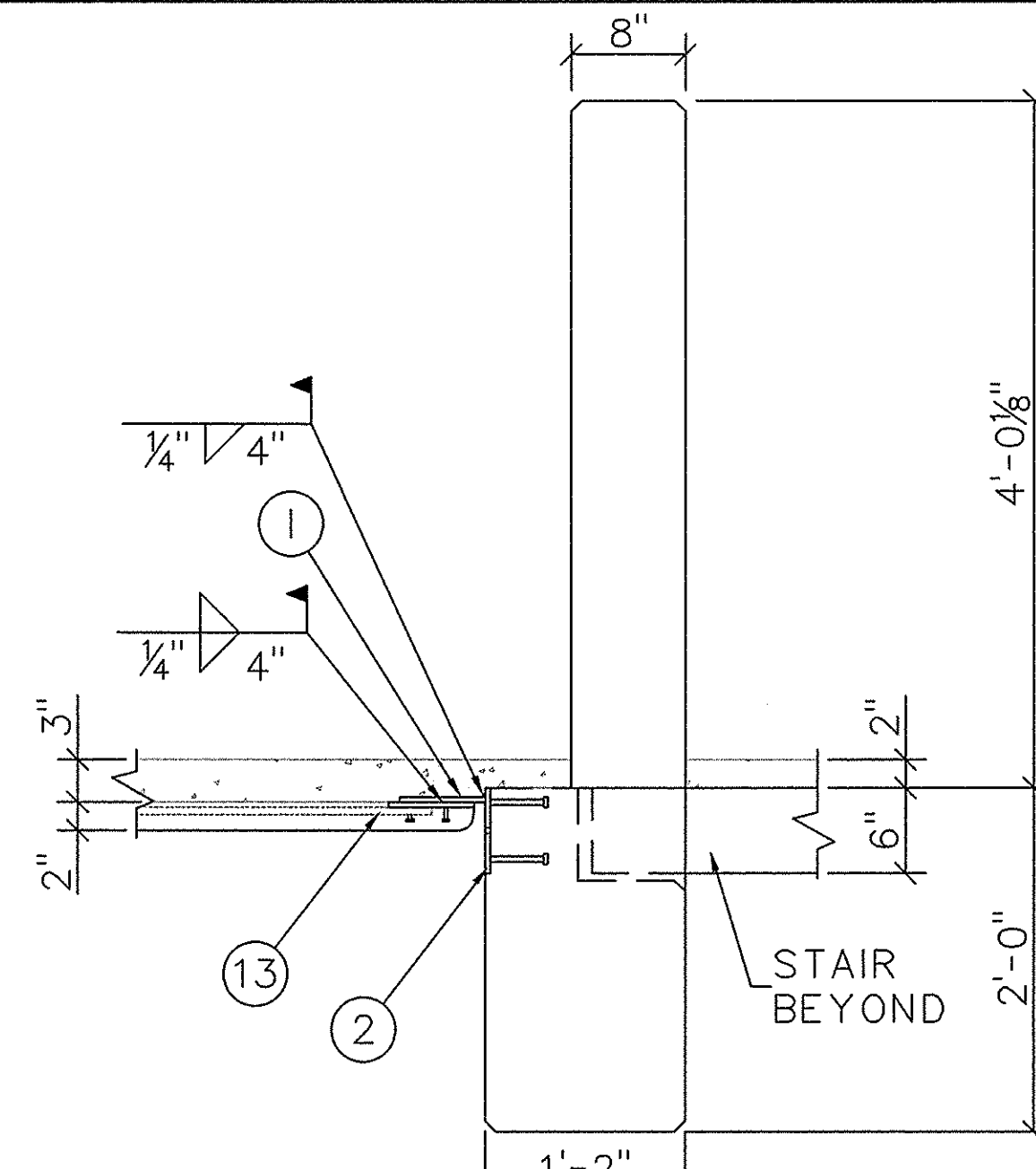
SECTION 34
1"=1'-0"



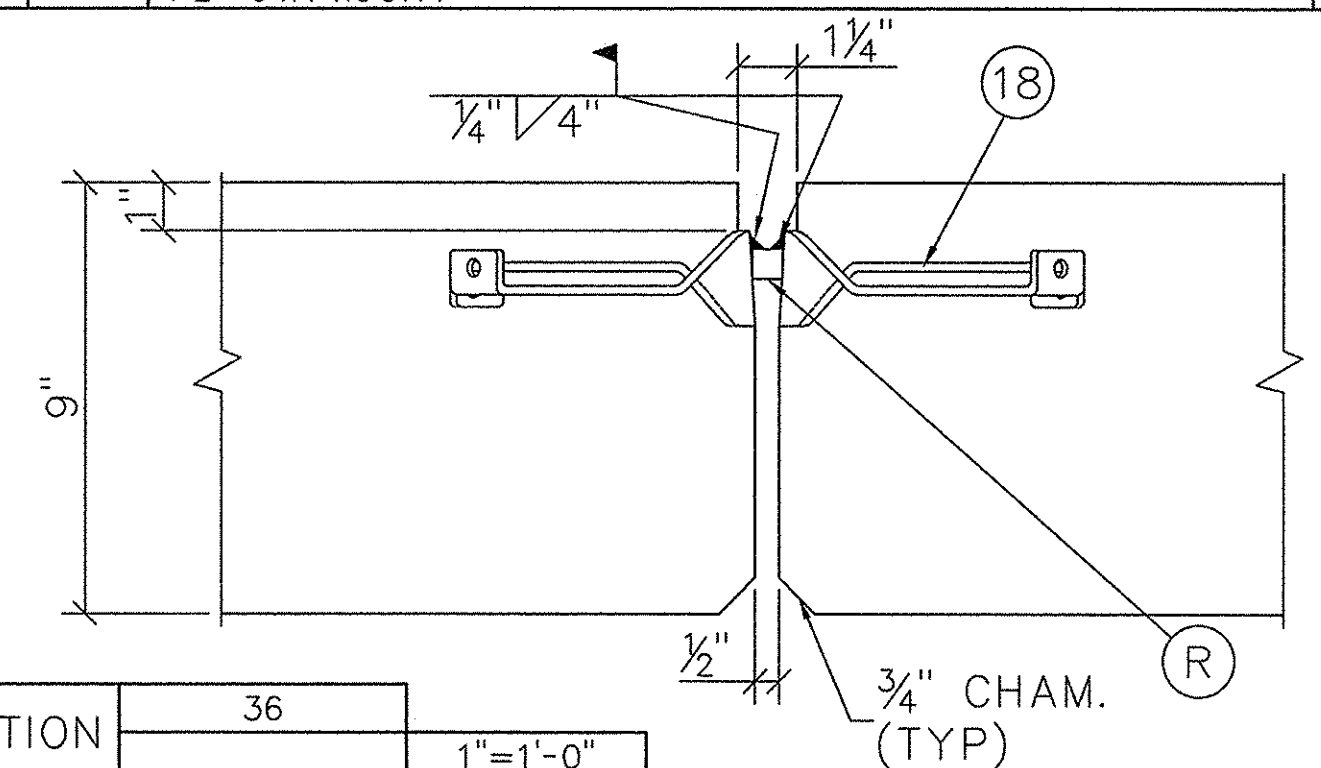
SECTION 37
1"=1'-0"



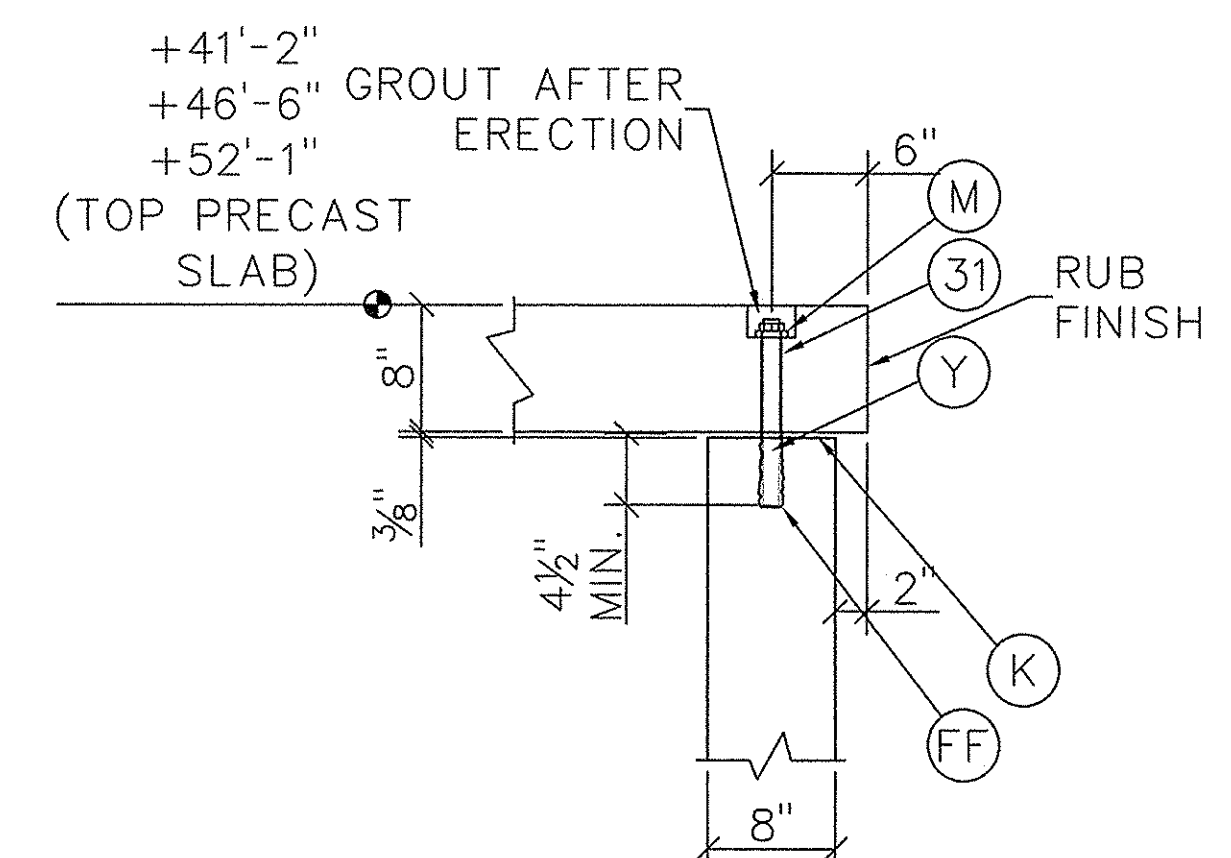
SECTION 38
1"=1'-0"



SECTION 39
1"=1'-0"



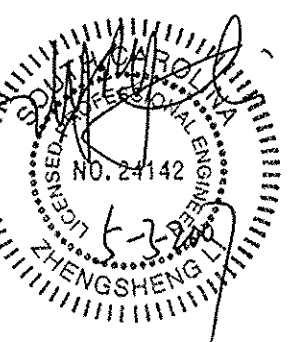
SECTION 36
1"=1'-0"



SECTION 40
1"=1'-0"

ITEM	CAST IN MATERIAL FURNISHED BY F.C.P.	FINISH	ITEM	ERECTION MATERIAL FURNISHED BY F.C.P.	FINISH
1	MP01 PL 3/8"x6"x8" w/(4)3/8"x4" HAS & (2)#4x1'-9"	HDG	A	ME01 A36 ANCHOR BOLT 1 1/4"x23" w/1 1/4"HHN & PL. 1/2"x4"x4"	NONE
2	MP02 PL 3/8"x6"x6" w/(4)3/8"x4" HAS	HDG	B	ME08 PL 3/8"x6"x6" w/(4)3/8"x4" HAS	HDG
3	MP03 PL 1 1/4"x1'-3 7/8"x1'-11 7/8" w/(4)ANGLES 6"x6"x3/8"x6" & (8)#6x4'-0"	HDG	C	ME02A PL 1/2"x9"x1'-2" w/(4)#5x1'-3" & (4)PL 1/2"x2"x2"	HDG
4	MP04 PL 3/8"x6"x6" w/(4)3/8"x4" HAS & (2)#4x2'-6"	HDG	D	2"x6"x6" SHIM PACK	NONE
5	MP05 ANGLE 8"x8"x1/2"x7" w/(8)3/8"x4" HAS & (4)#5x3'-6"	SCP	E	ME02 PL 1/2"x9"x1'-2" w/(4)#5x1'-8" & (4)PL 1/2"x2"x2"	HDG
6	MP06 ANGLE 8"x8"x1/2"x7" w/(4)3/8"x4" HAS & (4)#5x3'-6"	SCP	F	1"x4"x4" SHIM PACK	NONE
7	MP07 ANGLE 6"x6"x1/2"x7" w/(8)3/8"x4" HAS & (4)#5x3'-6"	SCP	G	ME03 PL 1/2"x9"x1'-2" w/(4)#5x2'-6"	HDG
8	MP29 ADD ON CORBEL ASSEMBLY w/MP08 & MP09	HDG	H	PL 1/2"x5"x7"	SCP
9	MP29A ADD ON CORBEL ASSEMBLY w/MP08A & MP09A	HDG	I	PL 3/8"x4"x6"	HDG
10	MP10 PL 3/8"x6"x7 1/4" w/(1)1/2"x12" DBA & (1)#7x6'-0"	HDG	J	PL 3/8"x4"x8"	HDG
11	MP11 PL 3/8"x6"x8 1/4" w/(1)1/2"x12" DBA & (1)#7x6'-0"	HDG	K	3/8"x4"xCONT. MASTICORD BEARING PAD	NONE
12	MP12 PL 3/8"x6 1/2"x7 1/4" w/(1)1/2"x10" DBA & (1)#7x6'-0"	HDG	L	PL 1/2"x4 1/2"x7"	HDG
13	MP13 PL 3/8"x6"x6" w/(4)1/4"x1" HAS & (2)#4x2'-0"	HDG	M	ME08 1/4"x2"x2" PLATE WASHER w/ 7/8" HOLE	SCP
14	MP14 PL 1/2"x7"x8" w/(4)1/2"x6" HAS & (2)#5x3'-0"	HDG	N	1/2"x5"xCONT. KOROLATH BEARING PAD	NONE
15	MP15 PL 1/2"x6"x6" w/(2)1/2"x12" DBA & (2)#5x3'-0"	HDG	O	PL 3/8"x4"x12"	HDG
16	MP30 C6x8.2 CHANNEL FRAME w/1/2"x6" HAS STAGGERED @ 0'-4" O/C	HDG	P		
17	JVI MINI-V	SS	Q	2"Ø PIPE (2 3/8" OD)x6"	SCP
18	JVI VECTOR CONNECTOR	SS	R	5/8"x3/8"x5" SQUARE BAR A304	SS
19	MP16 PL 1/2"x6"x6" w/(2)1/2"x7" DBA & (2)#5x3'-0"	HDG	S	ANGLE 6"x6"x1/2"xCONT.	HDG
20	MP17 PL 3/8"x6"x8" w/(4)3/8"x4" HAS	HDG	T	1/2"x5"x5" MASTICORD BEARING PAD	NONE
21	MP18 PL 3/4"x1'-1 1/2"x8" w/(4)#6x4'-6" & (4)#5x1'-10"	HDG	U	3/8"x3/8"x4" SQUARE BAR A304	SS
22	MP19 PL 3/8"x6"x1'-0" w/(8)1/2"x18" DBA	HDG	V	1"x1"x4" SQUARE BAR A36	HDG
23	MP20 PL 3/8"x6"x8" w/(6)1/2"x18" DBA	HDG	W	ANGLE 4"x6"x3/8"x4"	HDG
24	#7 BENT BAR	NONE	X		
25	1 1/2"x5" PVC SLEEVE	NONE	Y	HILTI HAS-E 3/4"x10 (ITEM# 333201)	NONE
26	MP21 PL. 1/2"x6"x6" w/(4)1/2"x5" HAS & 3/4" DR B25 COIL NUT	HDG	Z	ANGLE 1/4"x4"x4"	NONE
27	MP27 ADD ON CORBEL ASSEMBLY w/MP22 & MP24	HDG			
28	MP27A ADD ON CORBEL ASSEMBLY w/MP23 & MP24	HDG	BB	1/2"x4"x4" MASTICORD BEARING PAD	NONE
29	DAYTON SUPERIOR B16 3/4"x4" COIL LOOP INSERT w/T21 PLASTIC PLUG	NONE	CC	1/2"x6"x10" MASTICORD BEARING PAD	NONE
30	4"x6" PLASTIC DT BLOCKOUT	NONE	DD	3/4"x3/4"x4" SQUARE BAR A36	HDG
31	1"Ø x6" PVC	NONE	EE	#5 BENT BAR x 1'-3"	NONE
32	MP28 3/8"x5 1/2"x8 1/4" w/(1)1/2"x12" DBA & (1)#7x6'-0"	HDG	FF	HILTI HY150 EPOXY	NONE
33	MP25 PLUG IN HAUNCH ASSEMBLY w/MP26	NONE	GG	1/2"x4"x4" SHIM PACK	NONE
34	MP25A PLUG IN HAUNCH ASSEMBLY w/MP26A	NONE	HH	3/4"x7" LG HILTI KWIK BOLT III	NONE
35	MP25B PLUG IN HAUNCH ASSEMBLY w/MP26B	NONE	II	D/R B-5 HEAVY DUTY LONG PIPE BRACEx38"-4"	NONE
36	3"Ø x8" LONG METAL SLEEVE	NONE	JJ	D/R T-16 1 1/2"Ø PIPE KNEE BRACEx10'-6"	NONE
37	MP18A PL 3/4"x1'-1 1/2"x8" w/(4)#7x4'-6" & (4)#5x1'-10 3/4"	HDG	KK	ME05 1/4"x3"x3" PLATE WASHER w/ 7/8"Ø HOLE	SCP
38	MP31 PL 1/2"x1'-0"x8 1/4" w/(3)#7x4'-6" & (3)1/2"Ø x1'-0" DBA	HDG	LL	D/R T-17 SWIVEL COUPLER	NONE
39	MP32 ANGLE 4"x2"x1/4"x8" w/(2)1/2"x18" DBA & (2)1/4"Ø x1" HAS	HDG	MM	ME06 1/2"x4"x4" w/1"Ø MASTICORD PAD	NONE
40	MP27B ADD ON CORBEL ASSEMBLY w/MP37 & MP24	HDG	NN	ME07 PL. 1/2"x4"x4" w/7/8"Ø HOLE	HDG
41	MP35 PL. 3/8"x6"x12" w/(5)3/8"Ø x3" HAS & #7x6'-0"	HDG	OO	D/R 3/4"Ø B25 COIL NUT	NONE
42	MP36 PL. 1/2"x6"x14" w/(6)3/8"Ø x4" HAS	HDG	PP	3/4"Ø x9 1/2" COIL ROD	NONE
43	MP03A PL. 1 3/4"x1'-3 7/8"x1'-11 7/8" w/(4)ANGLES 6"x6"x3/8"x6" w/(8)#6x4'-0"	HDG	QQ	BENT PL 1/4"xVARIESxCONT	HDG
44	MP27C ADD ON CORBEL ASSEMBLY w/MP22A & MP24A	HDG	RR	PL 3/8"x4"xCONT	HDG

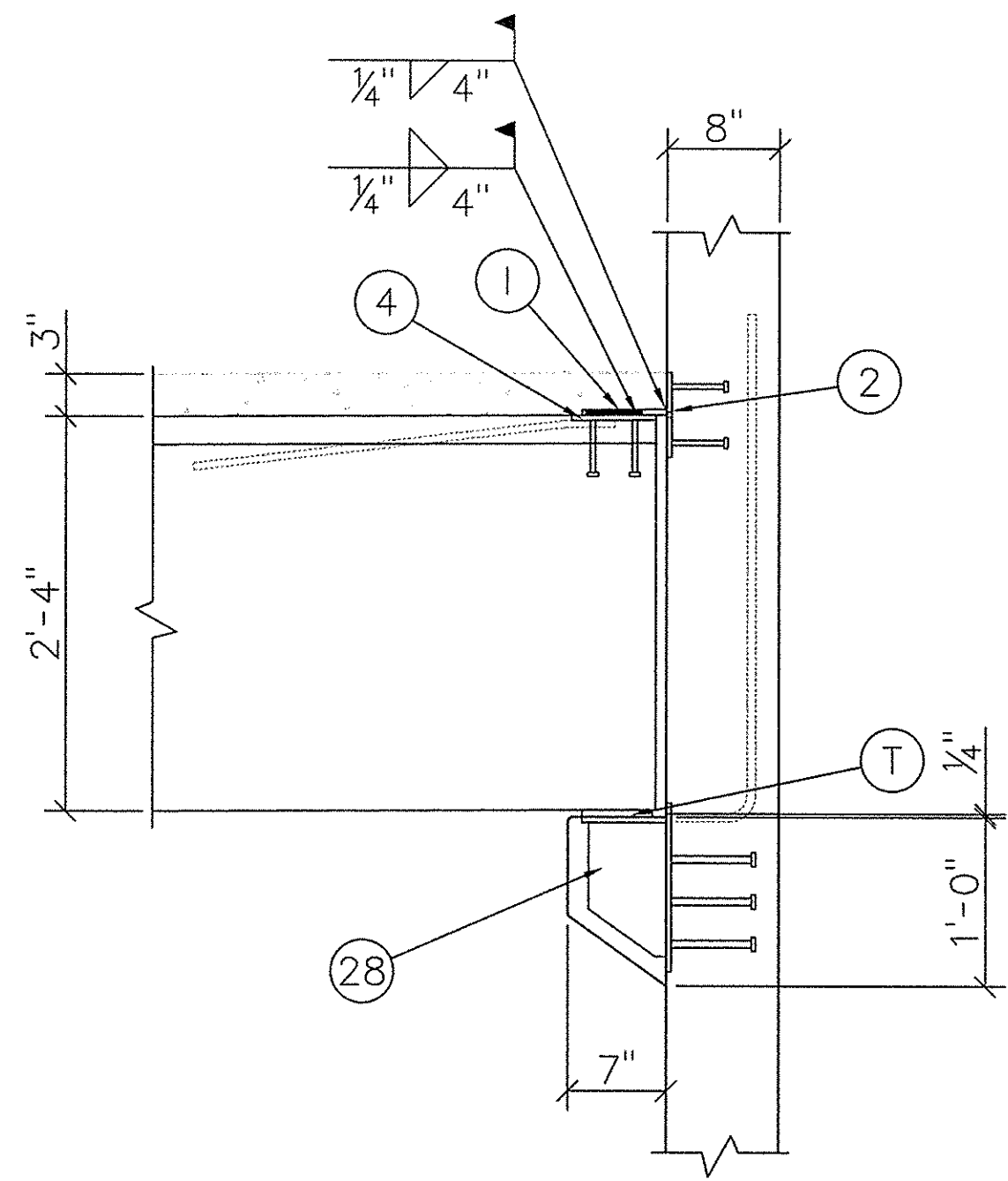
FLORENCE CONCRETE PRODUCTS, INC.
ARCHITECTURAL & STRUCTURAL PRECAST CONCRETE
865 INDUSTRIAL ROAD, SUMTER, SC 29150
PHONE: (803) 775-4372 FAX: (803) 775-8569



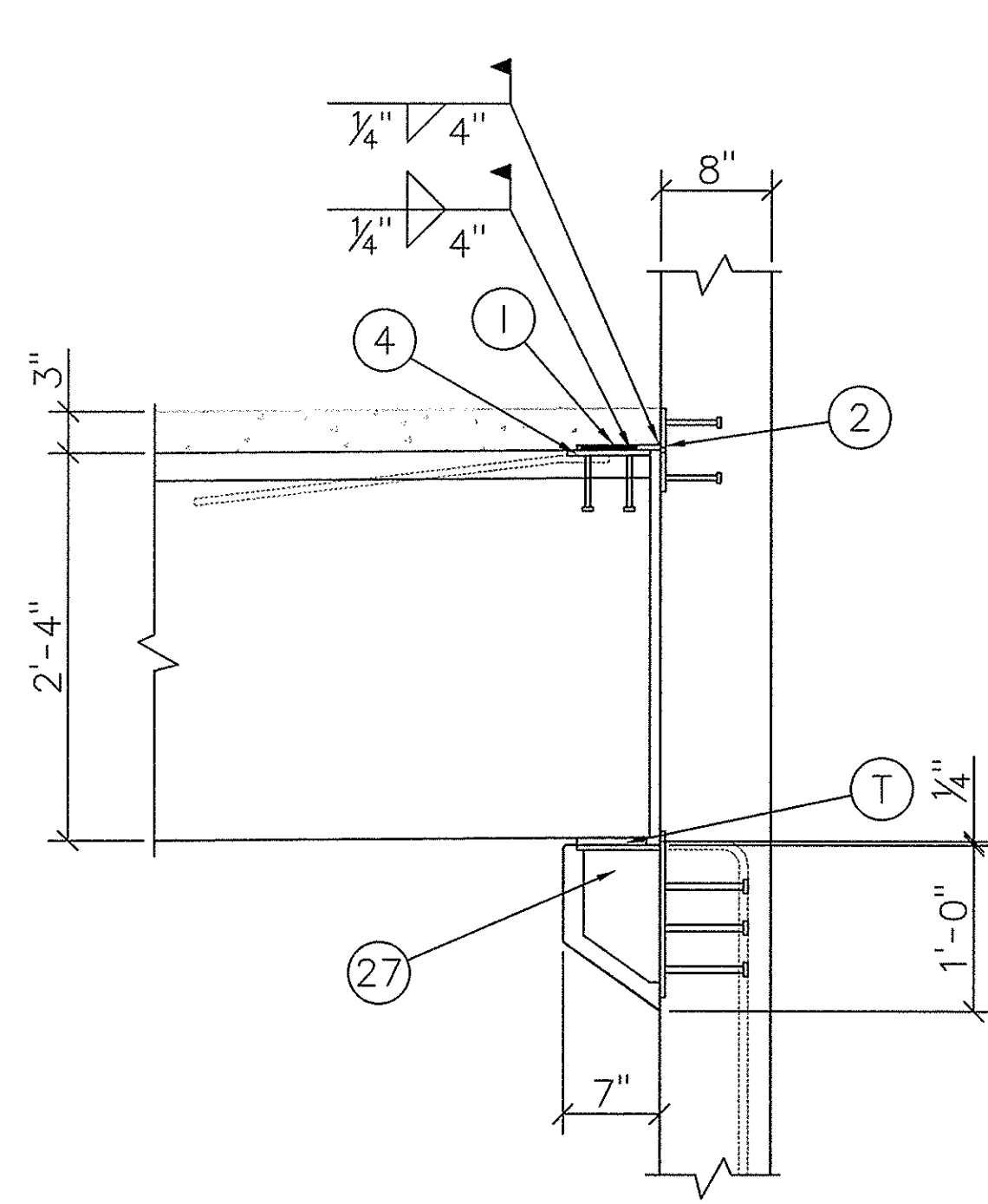
CUSTOMER: PALMETTO CONSTRUCTION GROUP
PROJECT NAME & ADDRESS: SUMMERVILLE TOWN HALL PARKING GARAGE
SUMMERVILLE, SC
SECTIONS AND DETAILS
DRAWN BY: PHK
CHECKED BY: PHK
DATE: 01/10/07
SCALE:

SHEET #: 22 of 33
PROJECT #: 3279
DRAWING NUMBER: E20

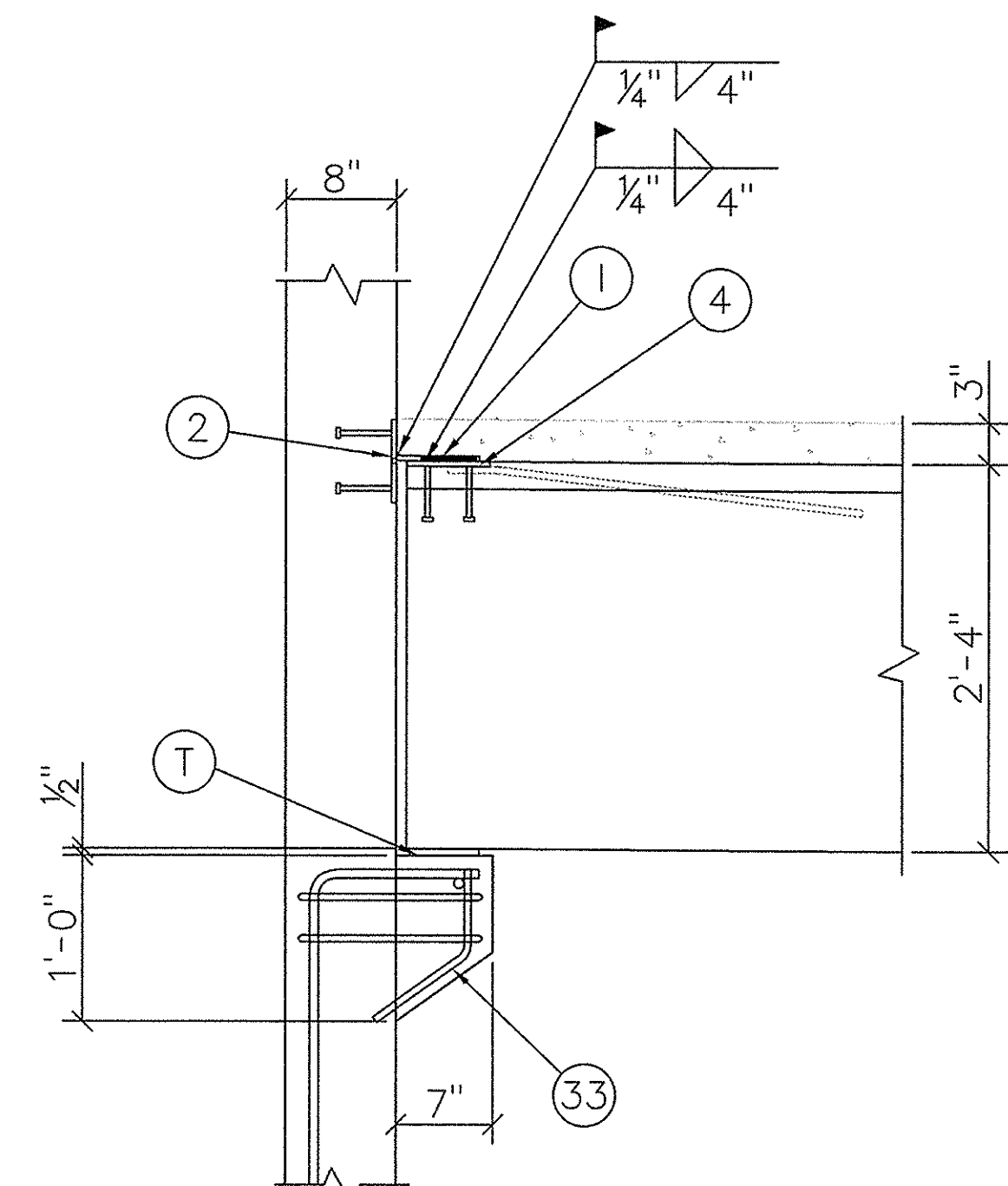
RELEASED FOR CONSTRUCTION
MAY 07 2007



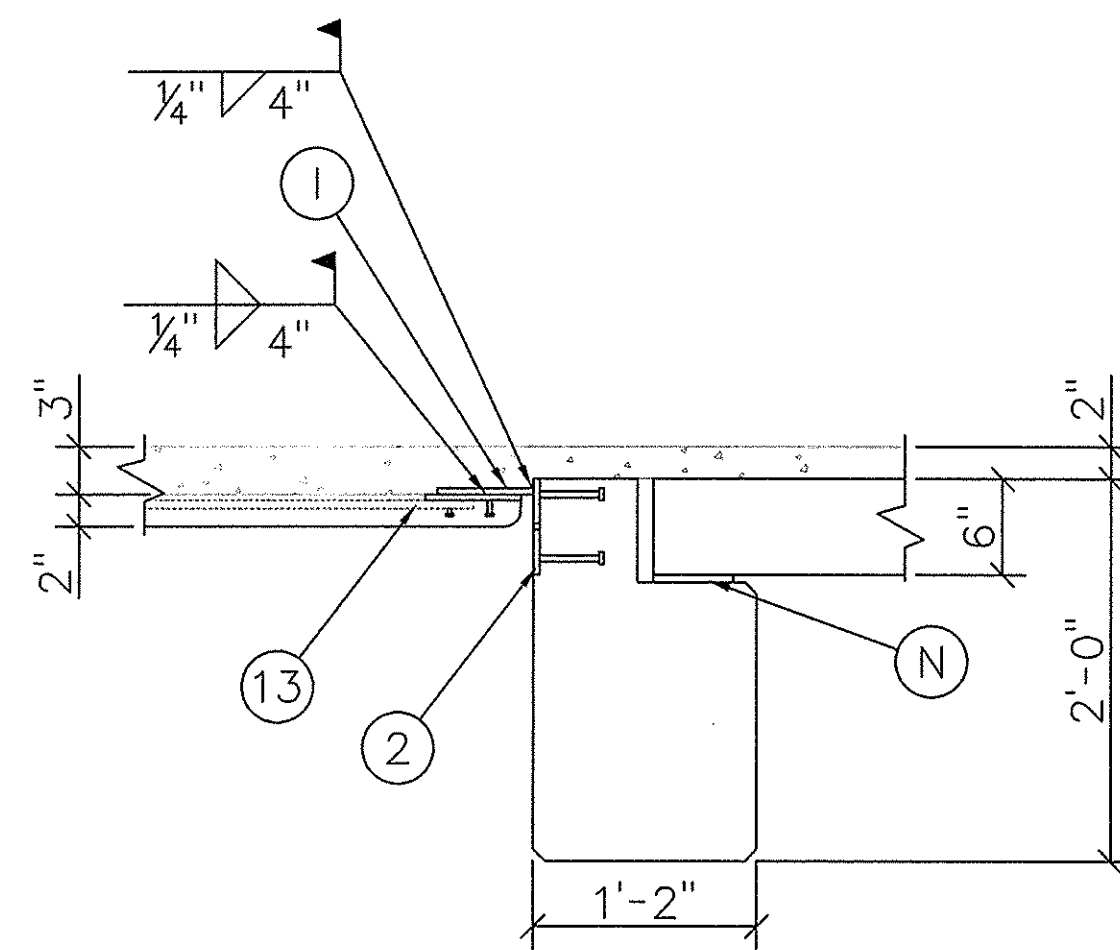
SECTION 41
1"=1'-0"



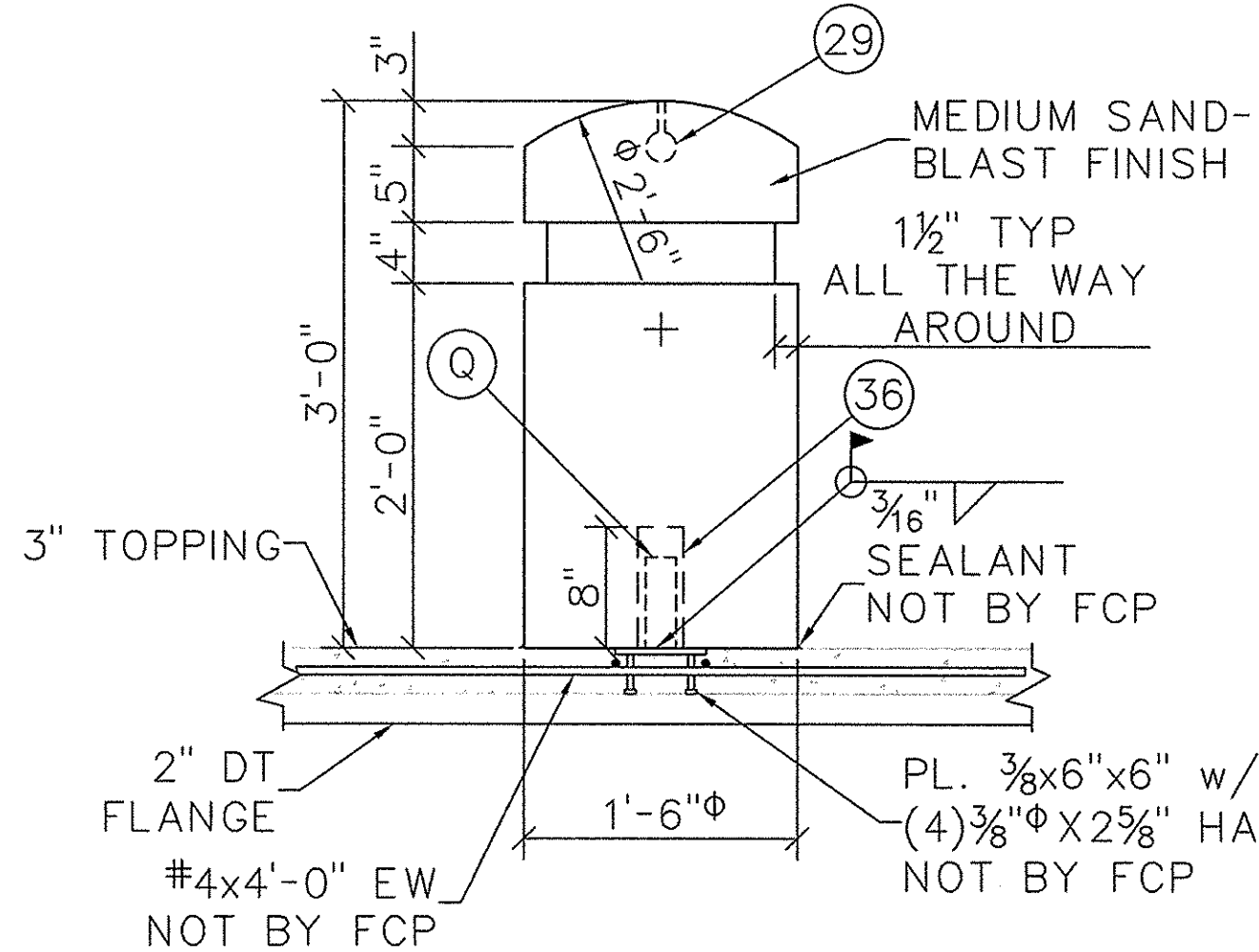
SECTION 42
1"=1'-0"



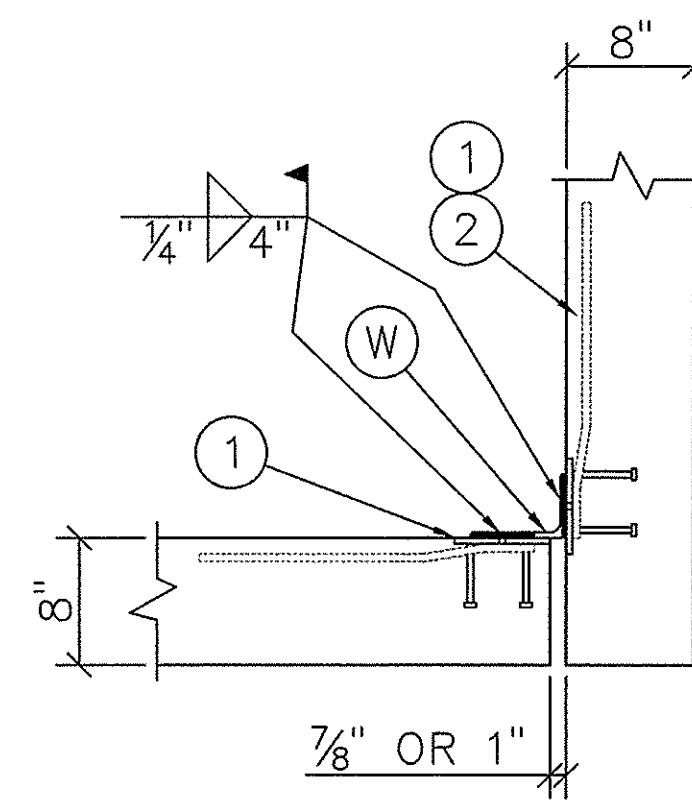
SECTION 43
1/2"=1'-0"



SECTION 44
1"=1'-0"

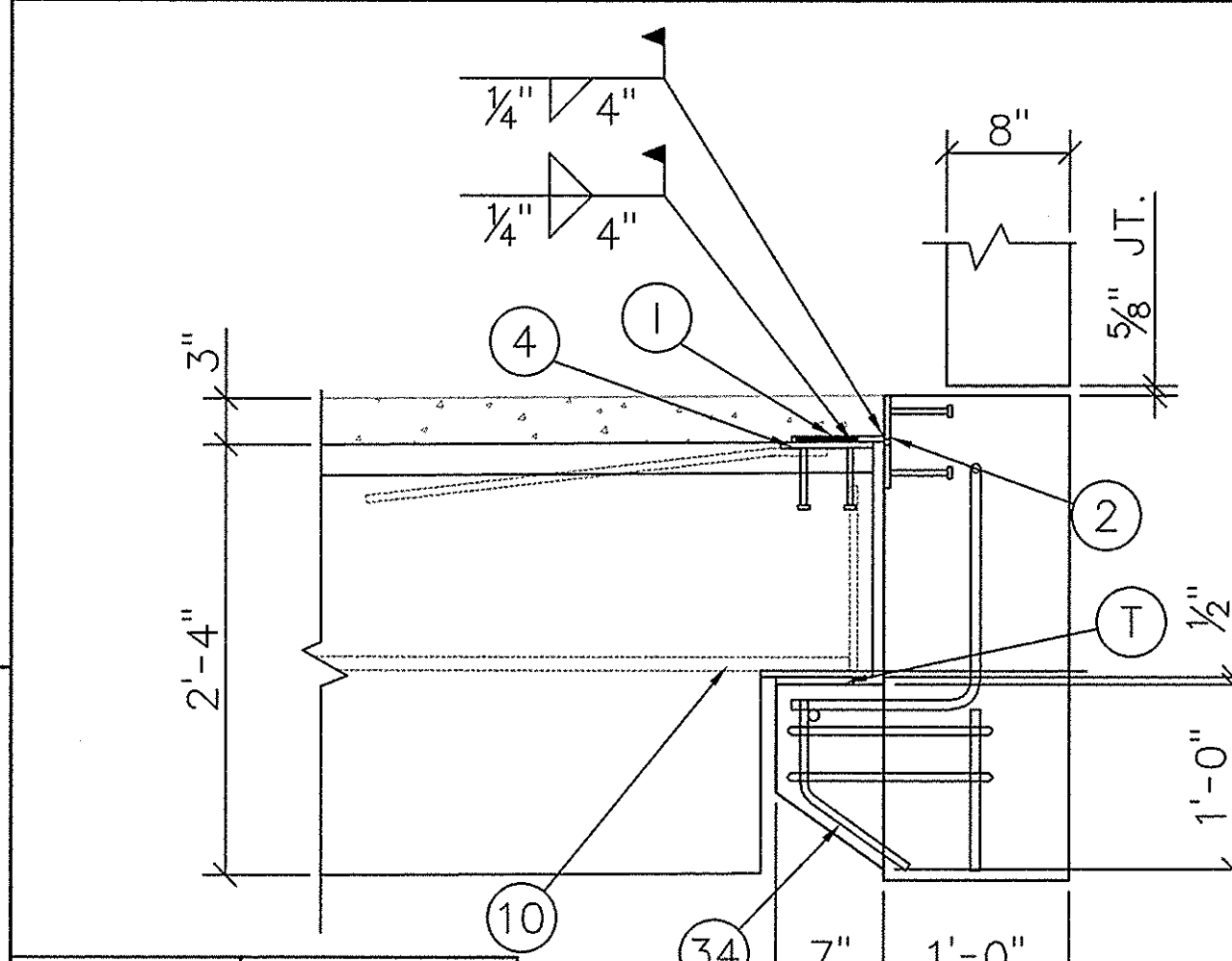


SECTION 47
1"=1'-0"

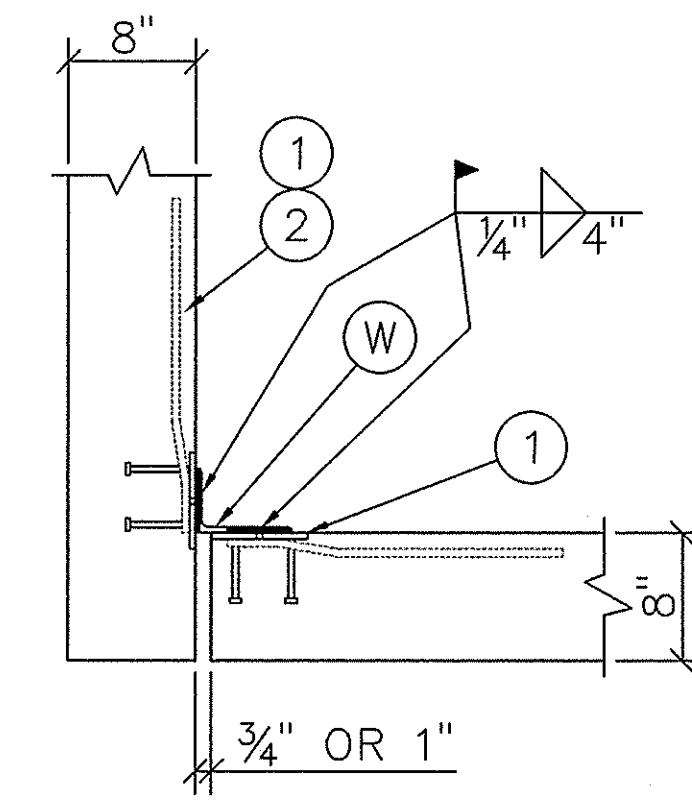


SECTION 48
1"=1'-0"

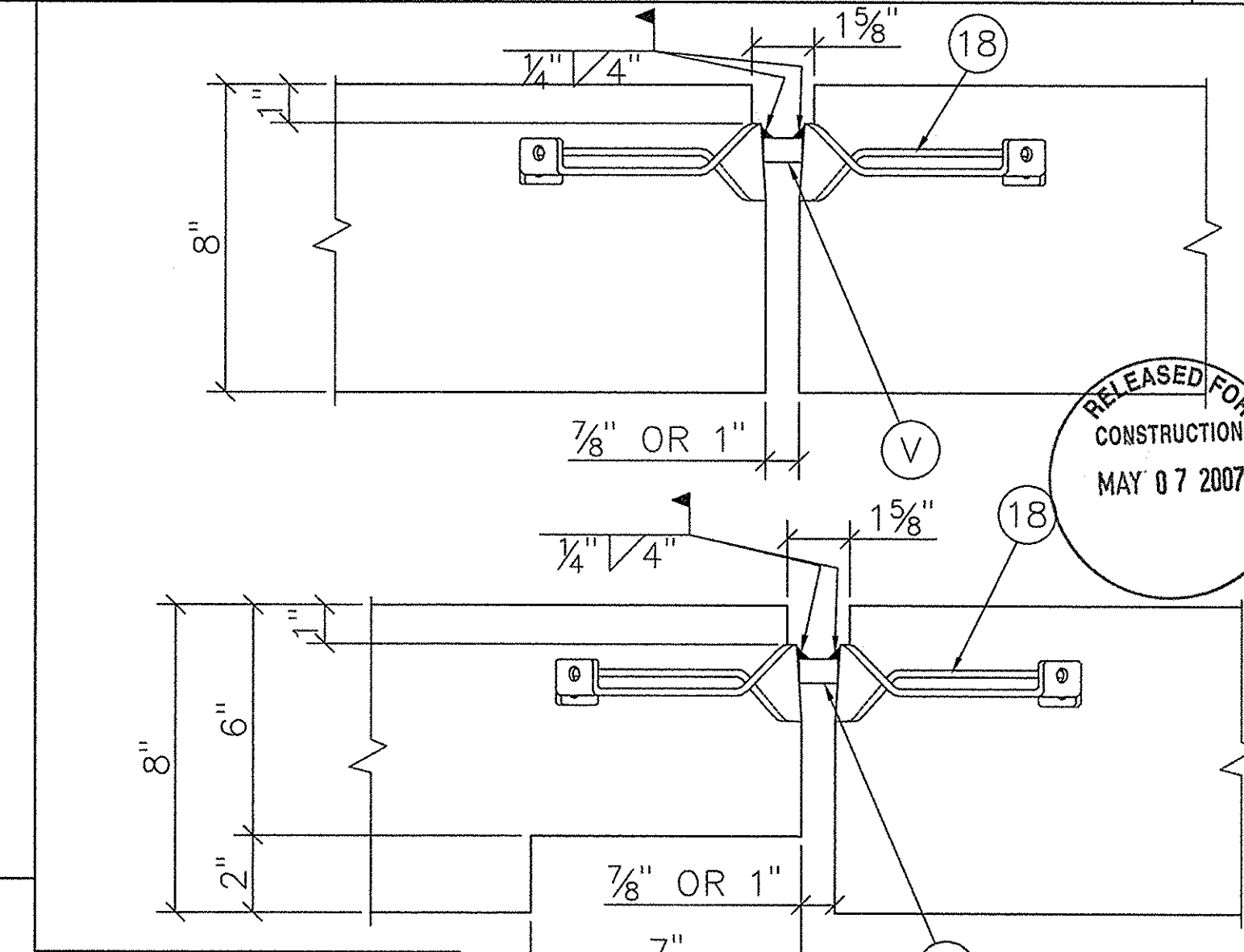
ITEM	CAST IN MATERIAL FURNISHED BY F.C.P.	FINISH	ITEM	ERECTION MATERIAL FURNISHED BY F.C.P.	FINISH
1	MP01 PL 3/8"x6"x8" w/(4)3/8"φx4" HAS & (2)#4x1'-9"	HDG	A	ME01 A36 ANCHOR BOLT 1 1/4"φx23"w/1 1/4"HNN & PL. 1/2"x4"x4"	NONE
2	MP02 PL 3/8"x6"x6" w/(4)3/8"φx4" HAS	HDG	B	ME08 PL 3/8"x6"x6" w/(4)3/8"φx4" HAS	HDG
3	MP03 PL 1 1/4"x1'-3 7/8"x1'-11 7/8" w/(4)ANGLES 6"x6"x3/8"x6" & (8)#6x4'-0"	HDG	C	ME02A PL 1/2"x9"x1'-2" w/(4)#5x1'-3" & (4)PL 1/2"x2"x2"	HDG
4	MP04 PL 3/8"x6"x6" w/(4)3/8"φx4" HAS & (2)#4x2'-6"	HDG	D	2"x6"x6" SHIM PACK	NONE
5	MP05 ANGLE 8"x8"x1/2"x7" w/(8)3/8"φx4" HAS & (4)#5x3'-6"	SCP	E	ME02 PL 1/2"x9"x1'-2" w/(4)#5x1'-8" & (4)PL 1/2"x2"x2"	HDG
6	MP06 ANGLE 8"x8"x1/2"x7" w/(4)3/8"φx4" HAS & (4)#5x3'-6"	SCP	F	1"x4"x4" SHIM PACK	NONE
7	MP07 ANGLE 6"x6"x1/2"x7" w/(8)3/8"φx4" HAS & (4)#5x3'-6"	SCP	G	ME03 PL 1/2"x9"x1'-2" w/(4)#5x2'-6"	HDG
8	MP29 ADD ON CORBEL ASSEMBLY w/MP08 & MP09	HDG	H	PL 1/2"x5"x7"	SCP
9	MP29A ADD ON CORBEL ASSEMBLY w/MP08A & MP09A	HDG	I	PL 3/8"x4"x6"	HDG
10	MP10 PL 3/8"x6"x7 1/4" w/(1)1/2"φx12" DBA & (1)#7x6'-0"	HDG	J	PL 3/8"x4"x8"	HDG
11	MP11 PL 3/8"x6"x8 1/4" w/(1)1/2"φx12" DBA & (1)#7x6'-0"	HDG	K	3/8"x4"xCONT. MASTICORD BEARING PAD	NONE
12	MP12 PL 3/8"x6"x7 1/4" w/(1)1/2"φx10" DBA & (1)#7x6'-0"	HDG	L	PL 1/2"x4 1/2"x7"	HDG
13	MP13 PL 3/8"x6"x6" w/(4)1/4"φx1" HAS & (2)#4x2'-0"	HDG	M	ME08 1/4"x2"x2" PLATE WASHER w/ 7/8" HOLE	SCP
14	MP14 PL 1/2"x7"x8" w/(4)1/2"φx6" HAS & (2)#5x3'-0"	HDG	N	1/2"x5"xCONT. KOROLATH BEARING PAD	NONE
15	MP15 PL 1/2"x6"x6" w/(2)1/2"φx12" DBA & (2)#5x3'-0"	HDG	O	PL 3/8"x4"x12"	HDG
16	MP30 C6x8.2 CHANNEL FRAME w/1/2"φx6" HAS STAGGERED @ 0'-4" O/C	HDG	P		
17	JVI MINI-V	SS	Q	2"φ PIPE (2 3/8" OD)x6"	SCP
18	JVI VECTOR CONNECTOR	SS	R	5/8"x3/8"x5" SQUARE BAR A304	SS
19	MP16 PL 1/2"x6"x6" w/(2)1/2"φx7" DBA & (2)#5x3'-0"	HDG	S	ANGLE 6"x6"x1/2"xCONT.	HDG
20	MP17 PL 3/8"x6"x8" w/(4)3/8"φx4" HAS	HDG	T	1/2"x5"x5" MASTICORD BEARING PAD	NONE
21	MP18 PL 3/4"x1'-1 1/2"x8" w/(4)#6x4'-6" & (4)#5x1'-10"	HDG	U	3/8"x3/8"x4" SQUARE BAR A304	SS
22	MP19 PL 3/8"x6"x1'-0" w/(8)1/2"φx18" DBA	HDG	V	1"x1"x1" SQUARE BAR A36	HDG
23	MP20 PL 3/8"x6"x8" w/(6)1/2"φx18" DBA	HDG	W	ANGLE 4"x6"x3/8"x4"	HDG
24	#7 BENT BAR	NONE	X		
25	1 1/2"x5" PVC SLEEVE	NONE	Y	HILTI HAS-E 3/4"φx10 (ITEM# 333201)	NONE
26	MP21 PL. 1/2"x6"x6" w/(4)1/2"φx5" HAS & 3/4"φ DR B25 COIL NUT	HDG	Z	ANGLE 1/4"x4"x4"	NONE
27	MP27 ADD ON CORBEL ASSEMBLY w/MP22 & MP24	HDG			
28	MP27A ADD ON CORBEL ASSEMBLY w/MP23 & MP24	HDG	BB	1/2"x4"x4" MASTICORD BEARING PAD	NONE
29	DAYTON SUPERIOR B16 3/4"φx4" COIL LOOP INSERT w/T21 PLASTIC PLUG	NONE	CC	1/2"x6"x10" MASTICORD BEARING PAD	NONE
30	4"x6" PLASTIC DT BLOCKOUT	NONE	DD	3/4"x3/4"x4" SQUARE BAR A36	HDG
31	1"φx6" PVC	NONE	EE	#5 BENT BAR x 1'-3"	NONE
32	MP28 3/8"x5 1/2"x8 1/4" w/(1)1/2"φx12" DBA & (1)#7x6'-0"	HDG	FF	HILTI HY150 EPOXY	NONE
33	MP25 PLUG IN HAUNCH ASSEMBLY w/MP26	NONE	GG	1/2"x4"x4" SHIM PACK	NONE
34	MP25A PLUG IN HAUNCH ASSEMBLY w/MP26A	NONE	HH	3/4"φx7" LG HILTI KWIK BOLT III	NONE
35	MP25B PLUG IN HAUNCH ASSEMBLY w/MP26B	NONE	II	D/R B-5 HEAVY DUTY LONG PIPE BRACEx38"-4"	NONE
36	3"φx8" LONG METAL SLEEVE	NONE	JJ	D/R T-16 1 1/2"φ PIPE KNEE BRACEx10'-6"	NONE
37	MP18A PL 3/4"x1'-1 1/2"x8" w/(4)#7x4'-6" & (4)#5x1'-10 3/4"	HDG	KK	ME05 1/4"x3"x3" PLATE WASHER w/ 7/8"φ HOLE	SCP
38	MP31 PL 1/2"x1'-0"x8 1/4" w/(3)7x4'-6" & (3)1/2"φx1'-0" DBA	HDG	LL	D/R T-17 SWIVEL COUPLER	NONE
39	MP32 ANGLE 4"x2"x1/4"x8" w/(2)1/2"φx18" DBA & (2)1/4"φx1" HAS	HDG	MM	ME06 1/2"x4"x4" w/1"φ MASTICORD PAD	NONE
40	MP27B ADD ON CORBEL ASSEMBLY w/MP37 & MP24	HDG	NN	ME07 PL. 1/2"x4"x4" w/7/8"φ HOLE	HDG
41	MP35 PL. 3/8"x6"x12" w/(5)3/8"φx3" HAS & #7x6'-0"	HDG	OO	D/R 3/4"φ B25 COIL NUT	NONE
42	MP36 PL. 1/2"x6"x14" w/(6)3/8"φx4" HAS	HDG	PP	3/4"φx9 1/2" COIL ROD	NONE
43	MP03A PL. 1 3/4"x1'-3 7/8"x1'-11 7/8" w/(4)ANGLES 6"x6"x3/8"x6" w/(8)#6x4'-0"	HDG	QQ	BENT PL 1/4"xVARIESxCONT	HDG
44	MP27C ADD ON CORBEL ASSEMBLY w/MP22A & MP24A	HDG	RR	PL 3/8"x4"xCONT	HDG



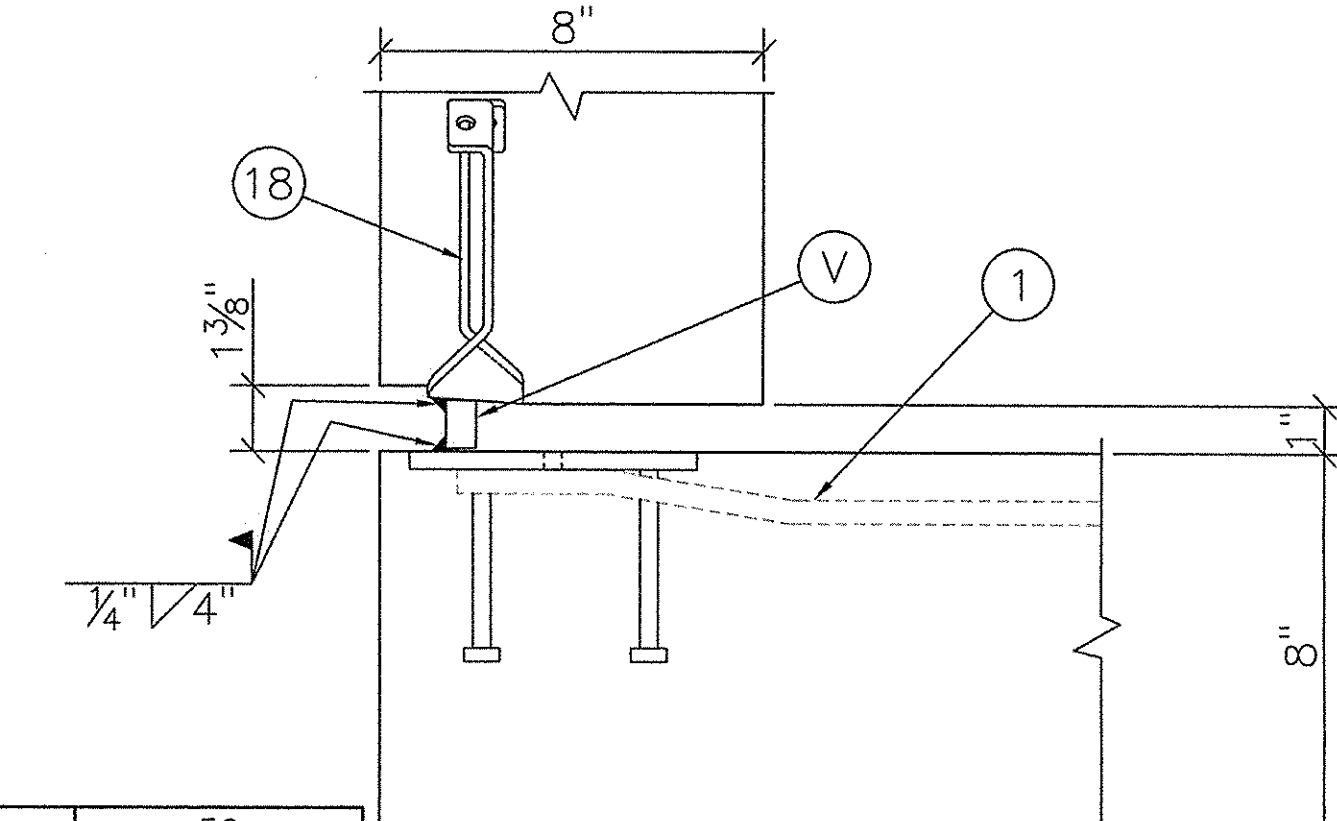
SECTION 45
1"=1'-0"



SECTION 49
1"=1'-0"



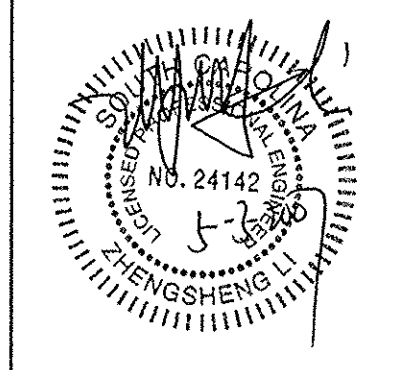
SECTION 46
3"=1'-0"



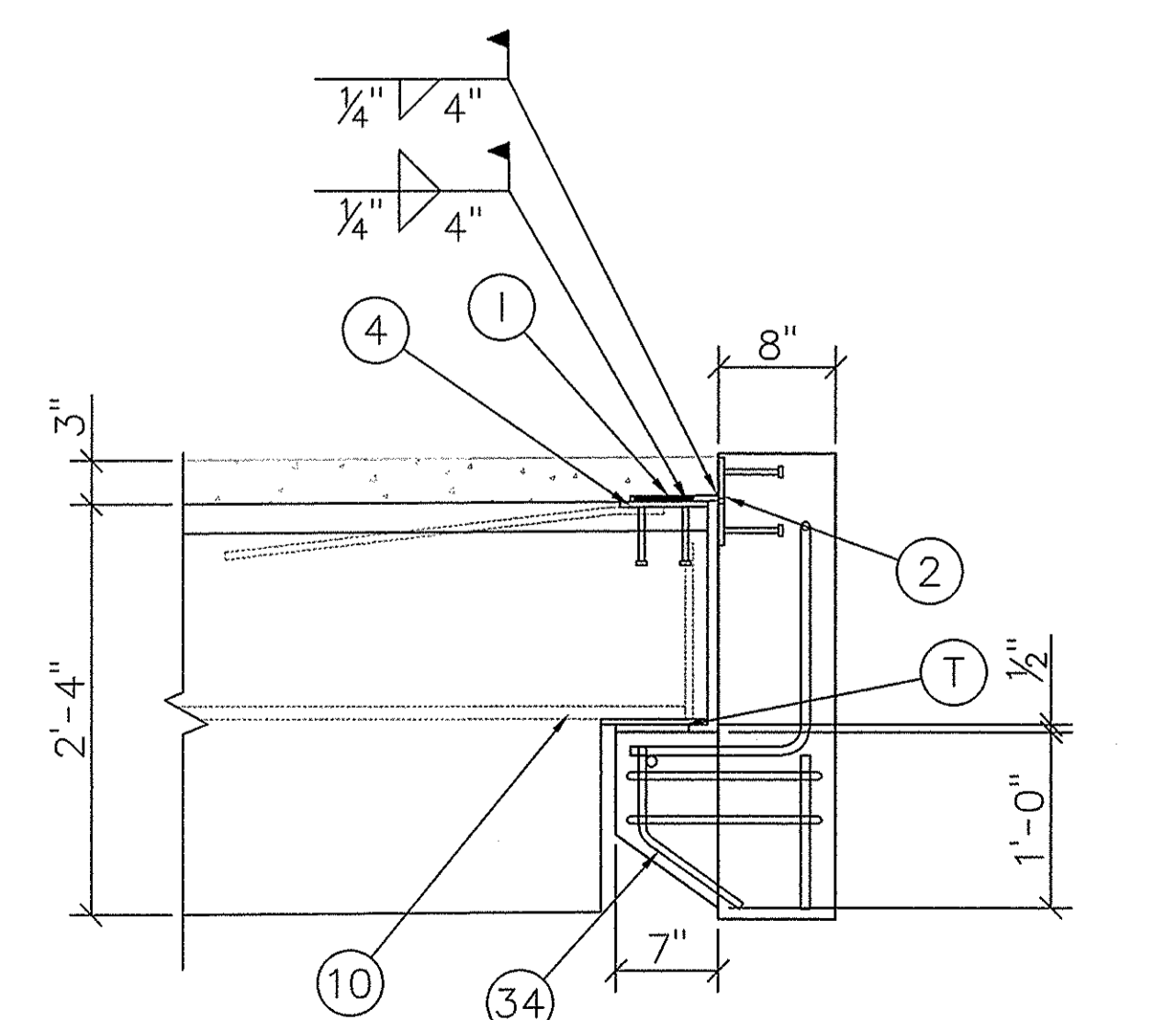
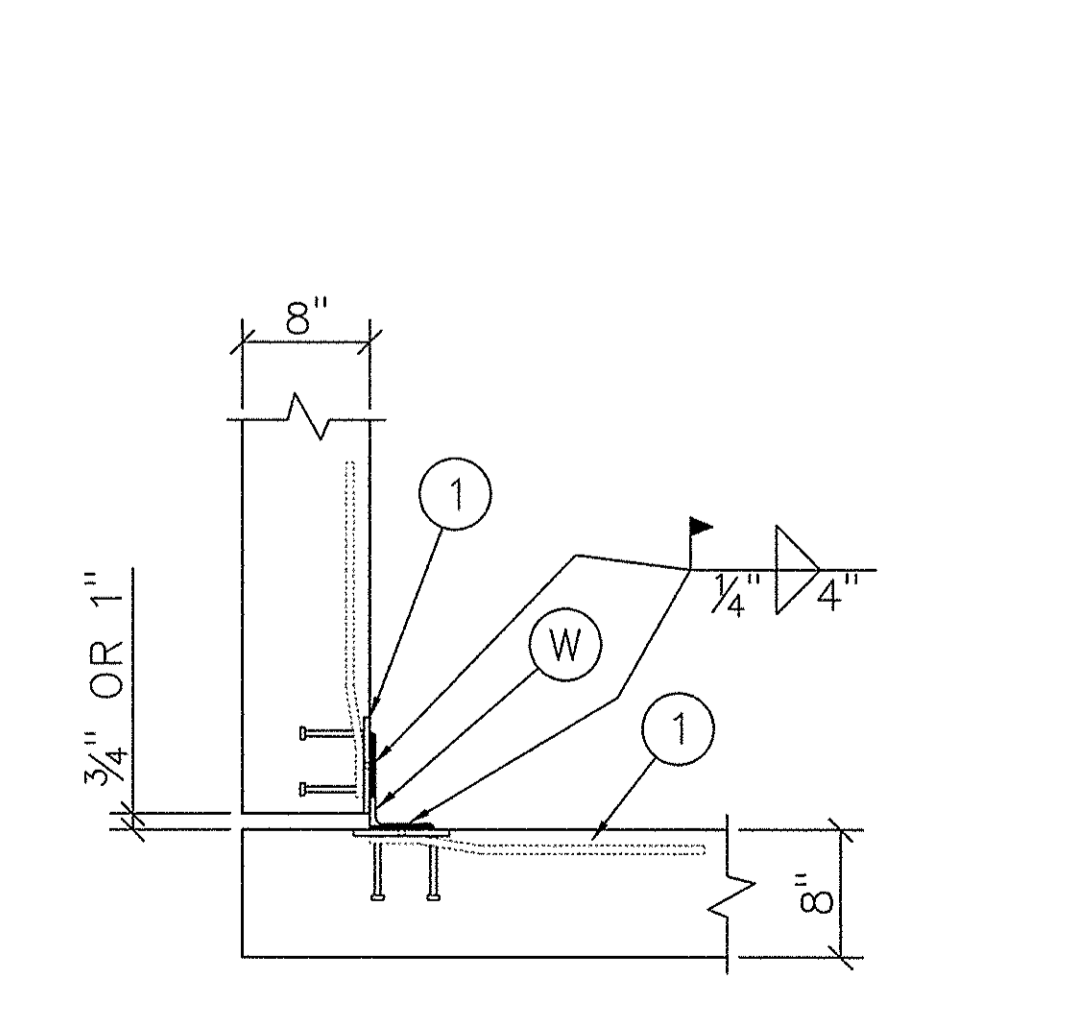
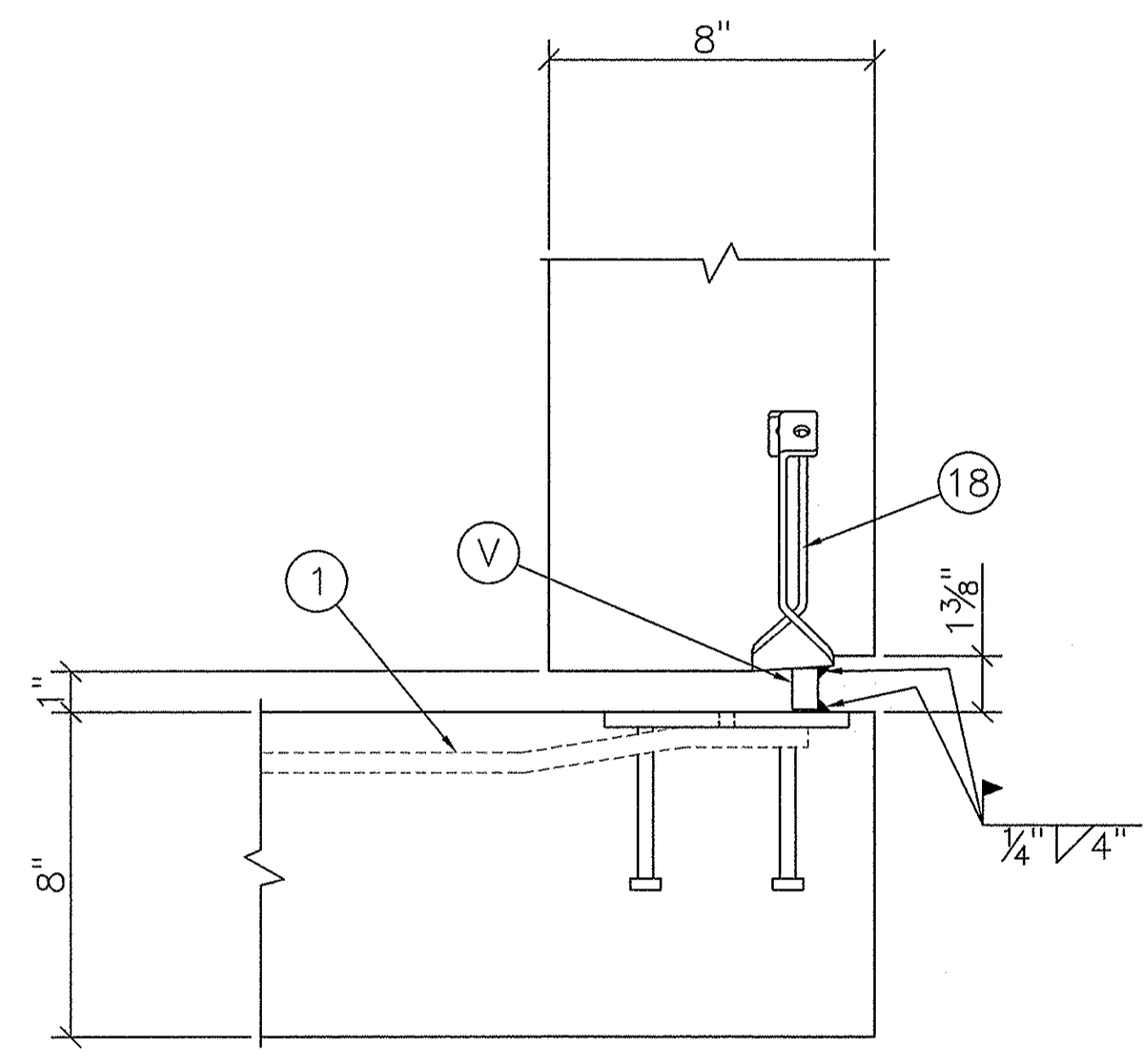
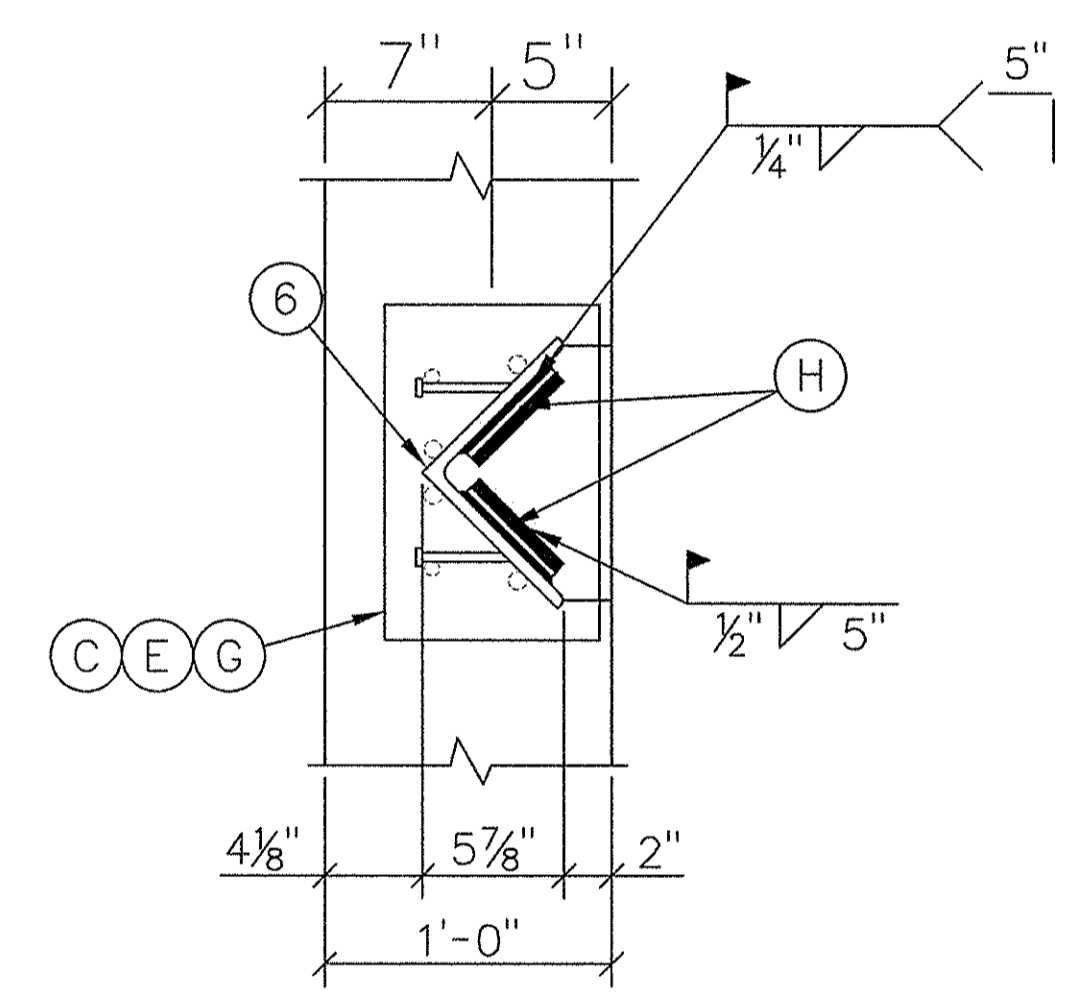
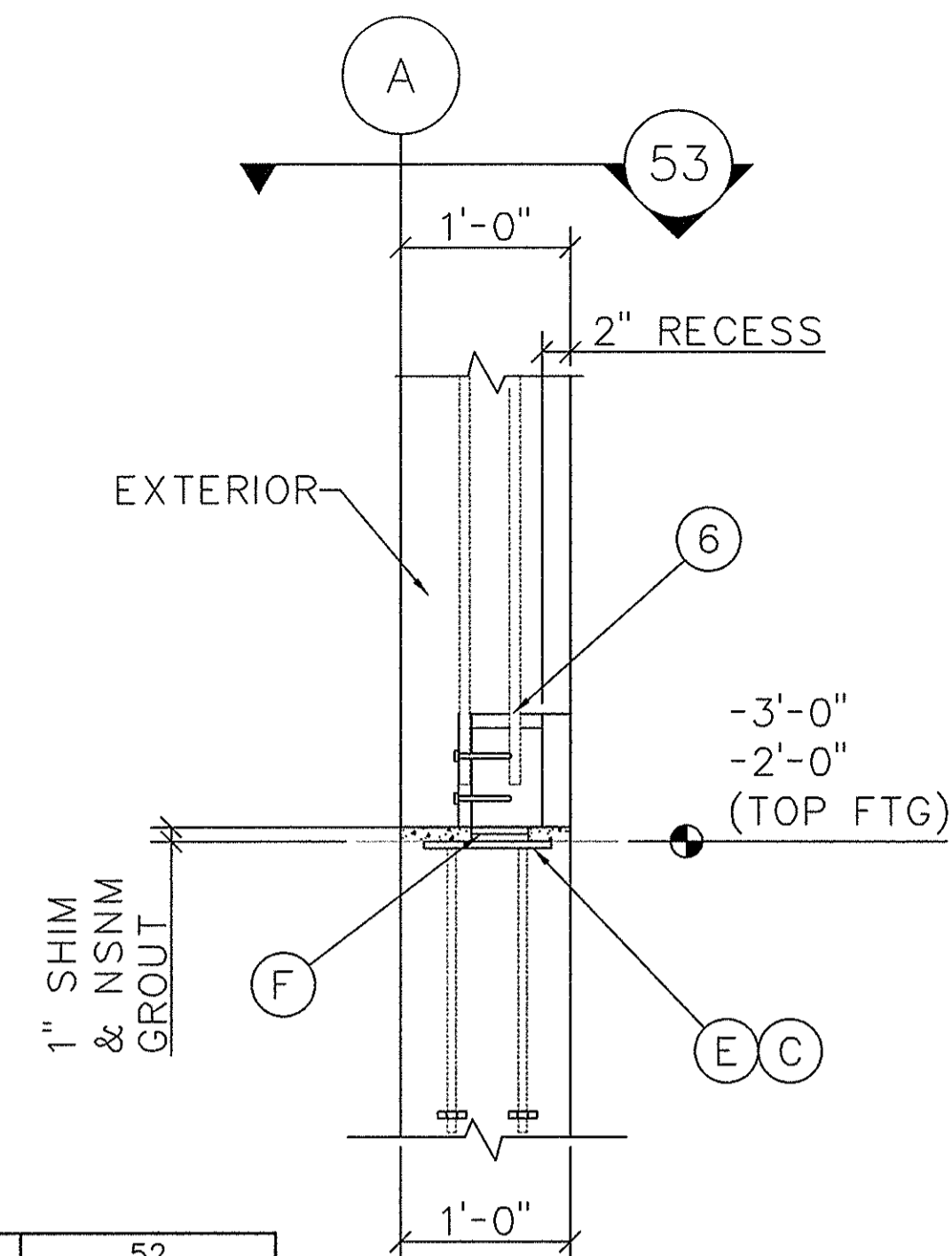
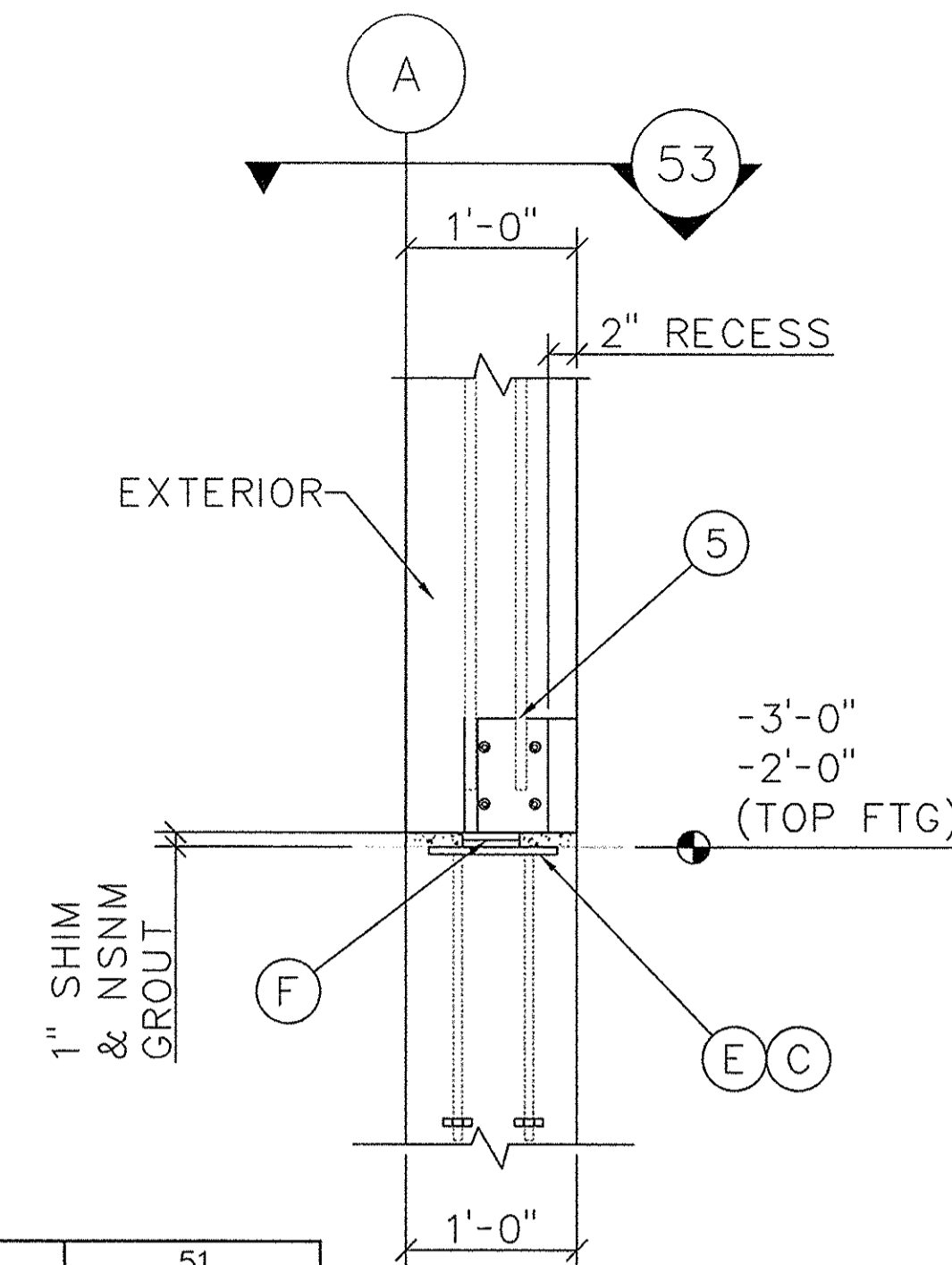
SECTION 50
3"=1'-0"

NO.	DATE	REVISION RECORD
1	01/15/07	SUBMITTED FOR APPROVAL
2	05/02/07	RELEASED FOR CONSTRUCTION
3		
4		
5		
6		
7		
8		

FLORENCE CONCRETE PRODUCTS, INC.
 ARCHITECTURAL & STRUCTURAL PRECAST CONCRETE
 865 INDUSTRIAL ROAD, SUMTER, SC 29150
 PHONE: (803) 775-4372 FAX: (803) 775-8569



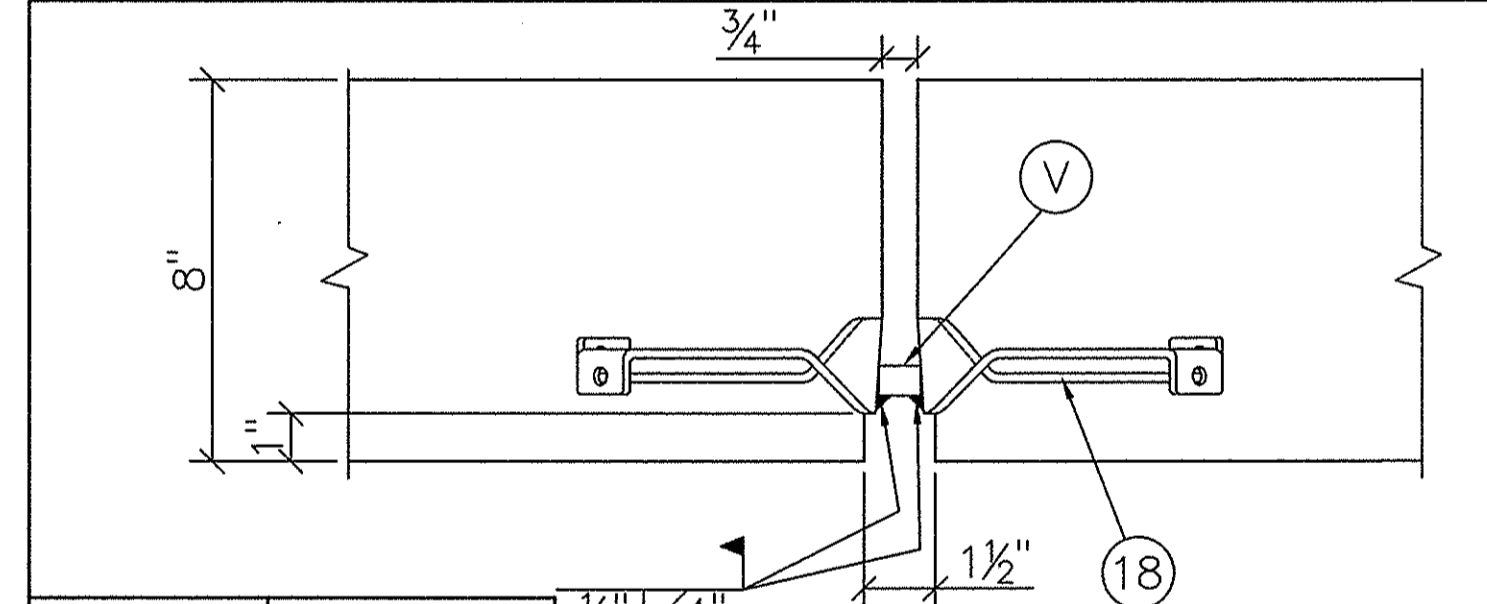
CUSTOMER: PALMETTO CONSTRUCTION GROUP
 PROJECT NAME & ADDRESS: SUMMERVILLE TOWN HALL PARKING GARAGE, SUMMERVILLE, SC
 SHEET # 23 of 33
 DRAWING NUMBER: 3279
 DATE: 01/10/07
 SCALE: 1/8"=1'-0"
 CHECKED BY: PHK
 DRAWN BY: PHK



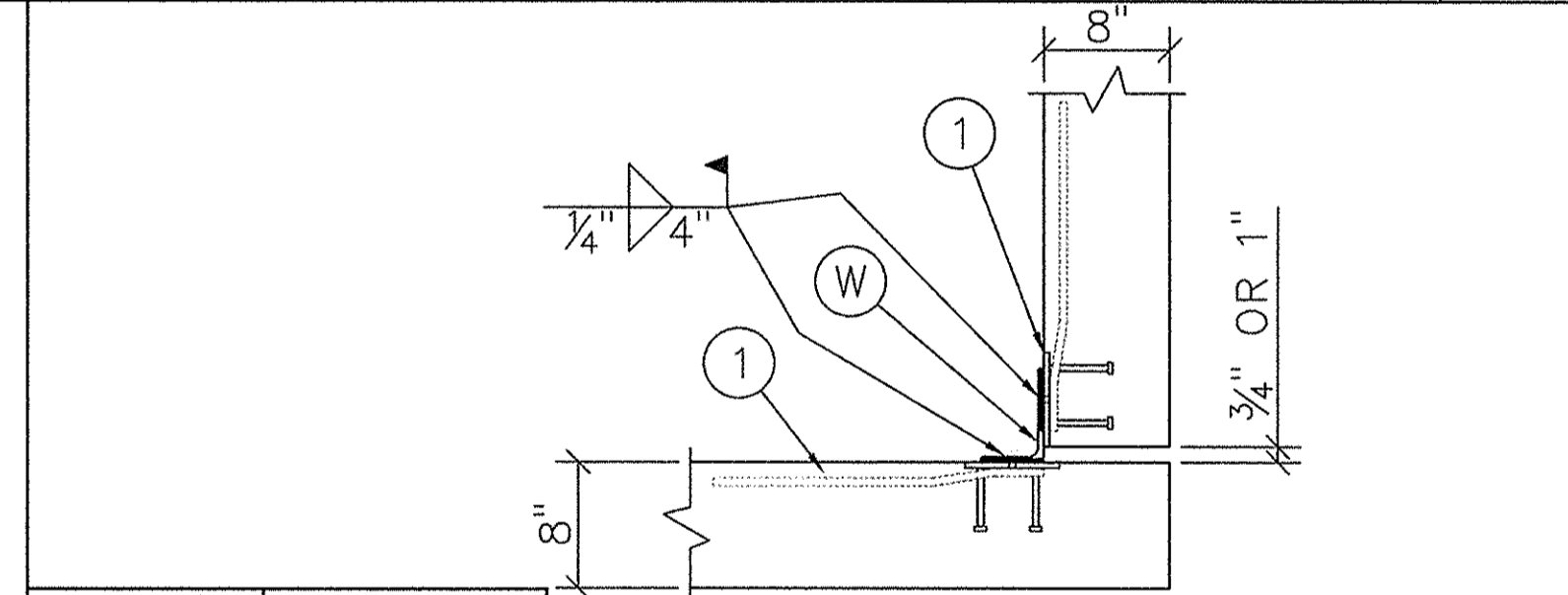
SECTION 57 1"=1'-0"

SECTION 58 1"=1'-0"

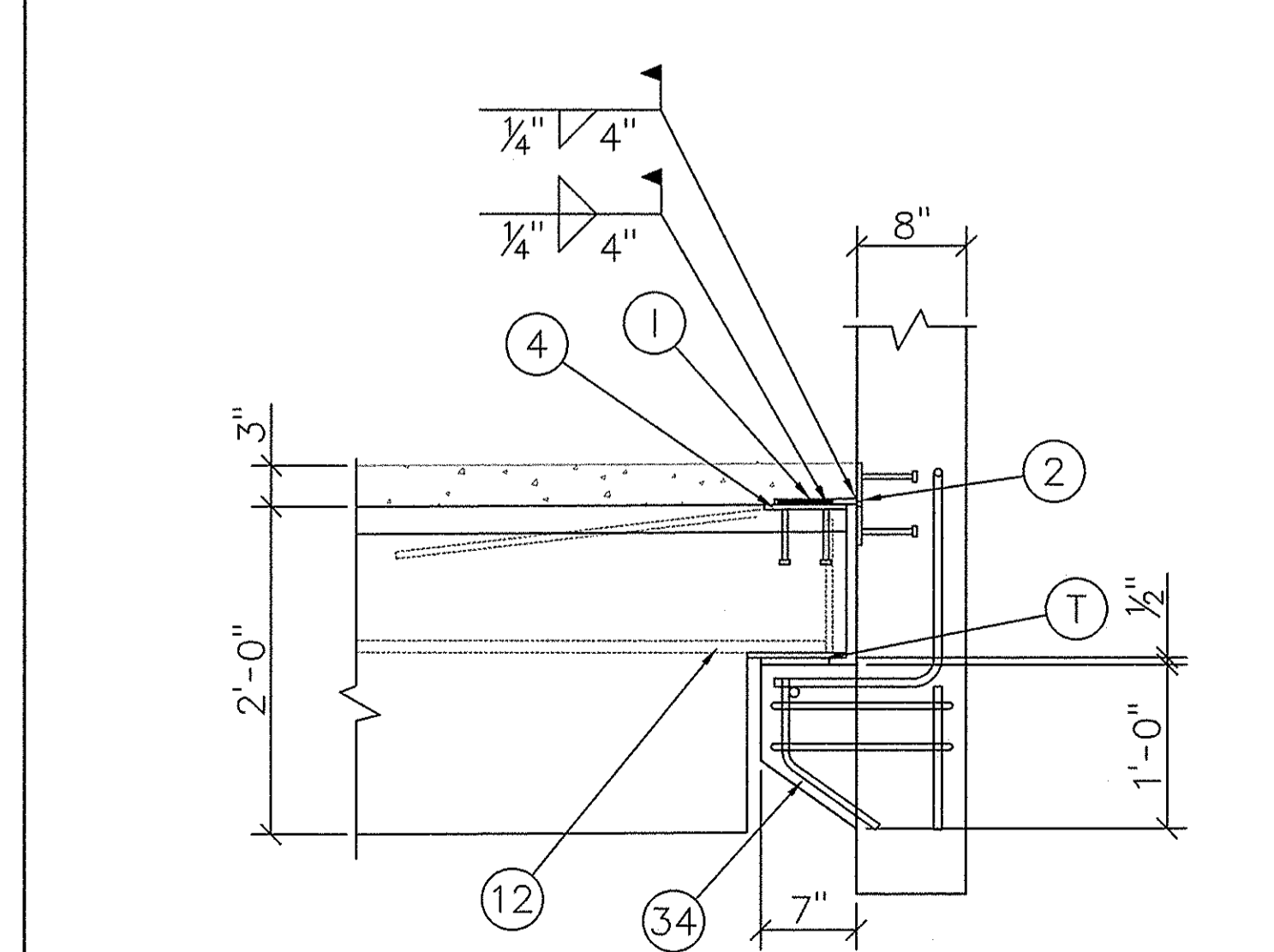
ITEM	CAST IN MATERIAL FURNISHED BY F.C.P.	FINISH	ITEM	ERECTION MATERIAL FURNISHED BY F.C.P.	FINISH
1	MP01 PL 3/8"x6"x8" w/(4)3/8"φx4" HAS & (2)#4x1'-9"	HDG	A	ME01 A36 ANCHOR BOLT 1 1/4"φx23"w/1 1/4"HHN & PL. 1/2"x4"x4"	NONE
2	MP02 PL 3/8"x6"x6" w/(4)3/8"φx4" HAS	HDG	B	ME08 PL 3/8"x6"x6" w/(4)3/8"φx4" HAS	HDG
3	MP03 PL 1 1/4"x1'-3 7/8"x1'-11 7/8" w/(4)ANGLES 6"x6"x3/8"x6" & (8)#6x4'-0"	HDG	C	ME02A PL 1/2"x9"x1'-2" w/(4)#5x1'-3" & (4)PL 1/2"x2"x2"	HDG
4	MP04 PL 3/8"x6"x6" w/(4)3/8"φx4" HAS & (2)#4x2'-6"	HDG	D	2"x6"x6" SHIM PACK	NONE
5	MP05 ANGLE 8"x8"x1/2"x7" w/(8)3/8"φx4" HAS & (4)#5x3'-6"	SCP	E	ME02 PL 1/2"x9"x1'-2" w/(4)#5x1'-8" & (4)PL 1/2"x2"x2"	HDG
6	MP06 ANGLE 8"x8"x1/2"x7" w/(4)3/8"φx4" HAS & (4)#5x3'-6"	SCP	F	1"x4"x4" SHIM PACK	NONE
7	MP07 ANGLE 6"x6"x1/2"x7" w/(8)3/8"φx4" HAS & (4)#5x3'-6"	SCP	G	ME03 PL 1/2"x9"x1'-2" w/(4)#5x2'-6"	HDG
8	MP29 ADD ON CORBEL ASSEMBLY w/MP08 & MP09	HDG	H	PL 1/2"x5"x7"	SCP
9	MP29A ADD ON CORBEL ASSEMBLY w/MP08A & MP09A	HDG	I	PL 3/8"x4"x6"	HDG
10	MP10 PL 3/8"x6"x7 1/4" w/(1)1/2"φx12" DBA & (1)#7x6'-0"	HDG	J	PL 3/8"x4"x8"	HDG
11	MP11 PL 3/8"x6"x8 1/4" w/(1)1/2"φx12" DBA & (1)#7x6'-0"	HDG	K	3/8"x4"xCONT. MASTICORD BEARING PAD	NONE
12	MP12 PL 3/8"x6 1/2"x7 1/4" w/(1)1/2"φx10" DBA & (1)#7x6'-0"	HDG	L	PL 1/2"x4 1/2"x7"	HDG
13	MP13 PL 3/8"x6"x6" w/(4)1/4"φx1" HAS & (2)#4x2'-0"	HDG	M	ME08 1/4"x2"x2" PLATE WASHER w/ 7/8" HOLE	SCP
14	MP14 PL 1/2"x7"x8" w/(4)1/2"φx6" HAS & (2)#5x3'-0"	HDG	N	1/2"x5"xCONT. KOROLATH BEARING PAD	NONE
15	MP15 PL 1/2"x6"x6" w/(2)1/2"φx12" DBA & (2)#5x3'-0"	HDG	O	PL 3/8"x4"x12"	HDG
16	MP30 C6x8.2 CHANNEL FRAME w/1/2"φx6" HAS STAGGERED @ 0'-4" O/C	HDG	P		
17	JVI MINI-V	SS	Q	2"φ PIPE (2 3/8" OD)x6"	SCP
18	JVI VECTOR CONNECTOR	SS	R	3/8"x5/8"x5" SQUARE BAR A304	SS
19	MP16 PL 1/2"x6"x6" w/(2)1/2"φx7" DBA & (2)#5x3'-0"	HDG	S	ANGLE 6"x6"x1/2"xCONT.	HDG
20	MP17 PL 3/8"x6"x8" w/(4)3/8"φx4" HAS	HDG	T	1/2"x5"x5" MASTICORD BEARING PAD	NONE
21	MP18 PL 3/4"x1'-1 1/2"x8" w/(4)#6x4'-6" & (4)#5x1'-10"	HDG	U	3/8"x3/8"x4" SQUARE BAR A304	SS
22	MP19 PL 3/8"x6"x1'-0" w/(8)1/2"φx18" DBA	HDG	V	1"x1"x4" SQUARE BAR A36	HDG
23	MP20 PL 3/8"x6"x8" w/(6)1/2"φx18" DBA	HDG	W	ANGLE 4"x6"x3/8"x4"	HDG
24	#7 BENT BAR	NONE	X		
25	1 1/2"x5" PVC SLEEVE	NONE	Y	HILTI HAS-E 3/4"φx10 (ITEM# 333201)	NONE
26	MP21 PL. 1/2"x6"x6" w/(4)1/2"φx5" HAS & 3/4"φ DR B25 COIL NUT	HDG	Z	ANGLE 1/4"x4"x4"	NONE
27	MP27 ADD ON CORBEL ASSEMBLY w/MP22 & MP24	HDG			
28	MP27A ADD ON CORBEL ASSEMBLY w/MP23 & MP24	HDG	BB	1/2"x4"x4" MASTICORD BEARING PAD	NONE
29	DAYTON SUPERIOR B16 3/4"φx4" COIL LOOP INSERT w/T21 PLASTIC PLUG	NONE	CC	1/2"x6"x10" MASTICORD BEARING PAD	NONE
30	4"x6" PLASTIC DT BLOCKOUT	NONE	DD	3/4"x3/4"x4" SQUARE BAR A36	HDG
31	1"φx6" PVC	NONE	EE	#5 BENT BAR x 1'-3"	NONE
32	MP28 3/8"x5 1/2"x8 1/4" w/(1)1/2"φx12" DBA & (1)#7x6'-0"	HDG	FF	HILTI HY150 EPOXY	NONE
33	MP25 PLUG IN HAUNCH ASSEMBLY w/MP26	NONE	GG	1/2"x4"x4" SHIM PACK	NONE
34	MP25A PLUG IN HAUNCH ASSEMBLY w/MP26A	NONE	HH	3/4"φx7" LG HILTI KWIK BOLT III	NONE
35	MP25B PLUG IN HAUNCH ASSEMBLY w/MP26B	NONE	II	D/R B-5 HEAVY DUTY LONG PIPE BRACEx38'-4"	NONE
36	3"φx8" LONG METAL SLEEVE	NONE	JJ	D/R T-16 1 1/2"φ PIPE KNEE BRACEx10'-6"	NONE
37	MP18A PL 3/4"x1'-1 1/2"x8" w/(4)#7x4'-6" & (4)#5x1'-10 3/4"	HDG	KK	ME05 1/4"x3"x3" PLATE WASHER w/ 7/8"φ HOLE	SCP
38	MP31 PL 1/2"x1'-0"x8 1/4" w/(3)#7x4'-6" & (3)1/2"φx1'-0" DBA	HDG	LL	D/R T-17 SWIVEL COUPLER	NONE
39	MP32 ANGLE 4"x2"x1 1/4"x8" w/(2)1/2"φx18" DBA & (2)1/4"φx1" HAS	HDG	MM	ME06 1/2"x4"x4" w/1"φ MASTICORD PAD	NONE
40	MP27B ADD ON CORBEL ASSEMBLY w/MP37 & MP24	HDG	NN	ME07 PL. 1/2"x4"x4" w/7/8"φ HOLE	HDG
41	MP35 PL. 3/8"x6"x12" w/(5)3/8"φx3" HAS & #7x6'-0"	HDG	OO	D/R 3/4"φ B25 COIL NUT	NONE
42	MP36 PL. 1/2"x6"x14" w/(6)3/8"φx4" HAS	HDG	PP	3/4"φx9 1/2" COIL ROD	NONE
43	MP03A PL. 1 3/4"x1'-3 7/8"x1'-11 7/8" w/(4)ANGLES 6"x6"x3/8"x6" w/(8)#6x4'-0"	HDG	QQ	BENT PL 1/4"xVARIESxCONT	HDG
44	MP27C ADD ON CORBEL ASSEMBLY w/MP22A & MP24A	HDG	RR	PL 3/8"x4"xCONT	HDG



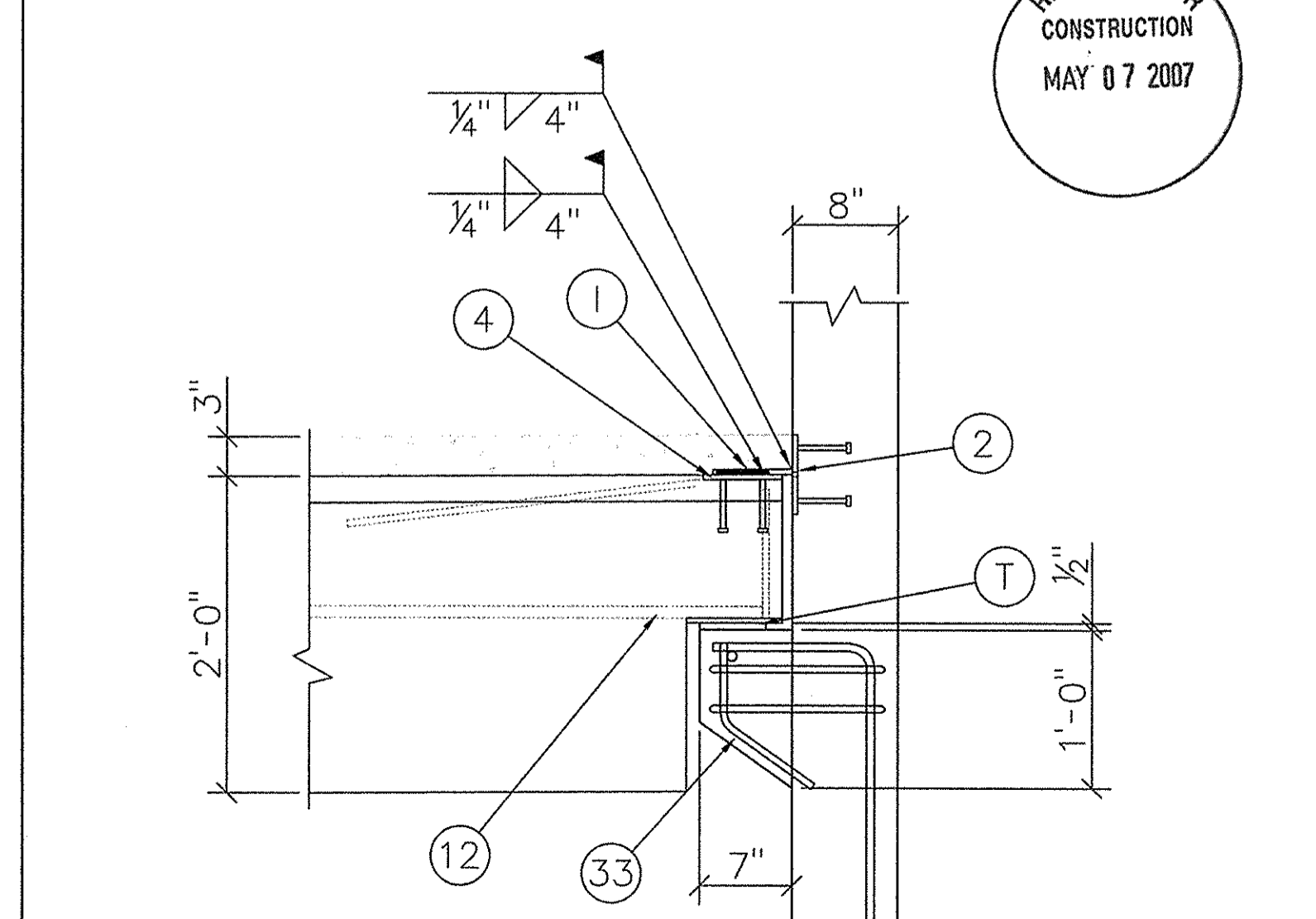
SECTION 55 1/4"=1'-0"



SECTION 56 1"=1'-0"



SECTION 59 1"=1'-0"



SECTION 60 1"=1'-0"

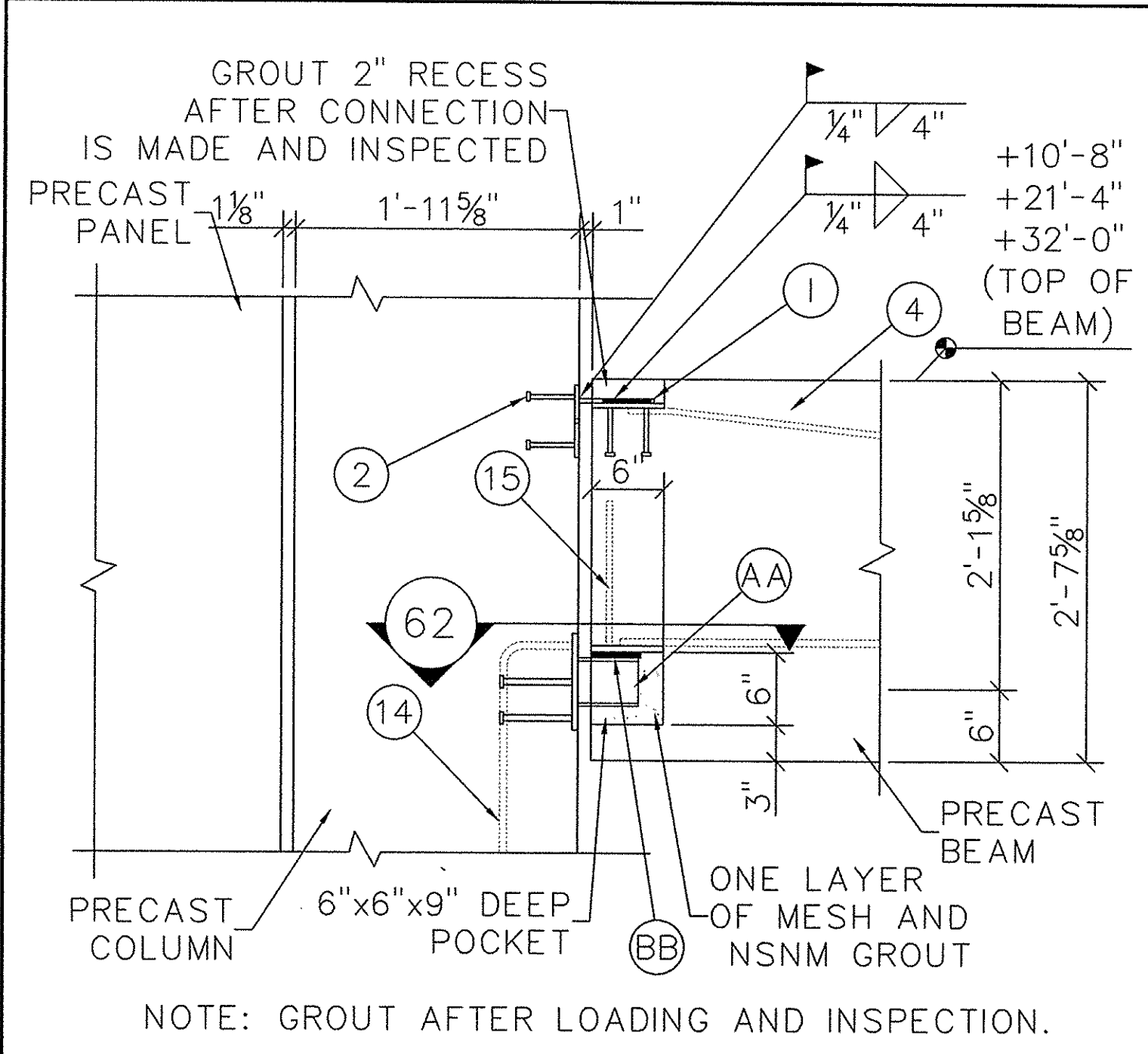
REVISION RECORD

NO.	DATE	BY	DESCRIPTION
1	07/15/07	PHK	SUBMITTED FOR APPROVAL
2	05/02/07	SLR	RELEASED FOR CONSTRUCTION
3			
4			
5			
6			
7			
8			

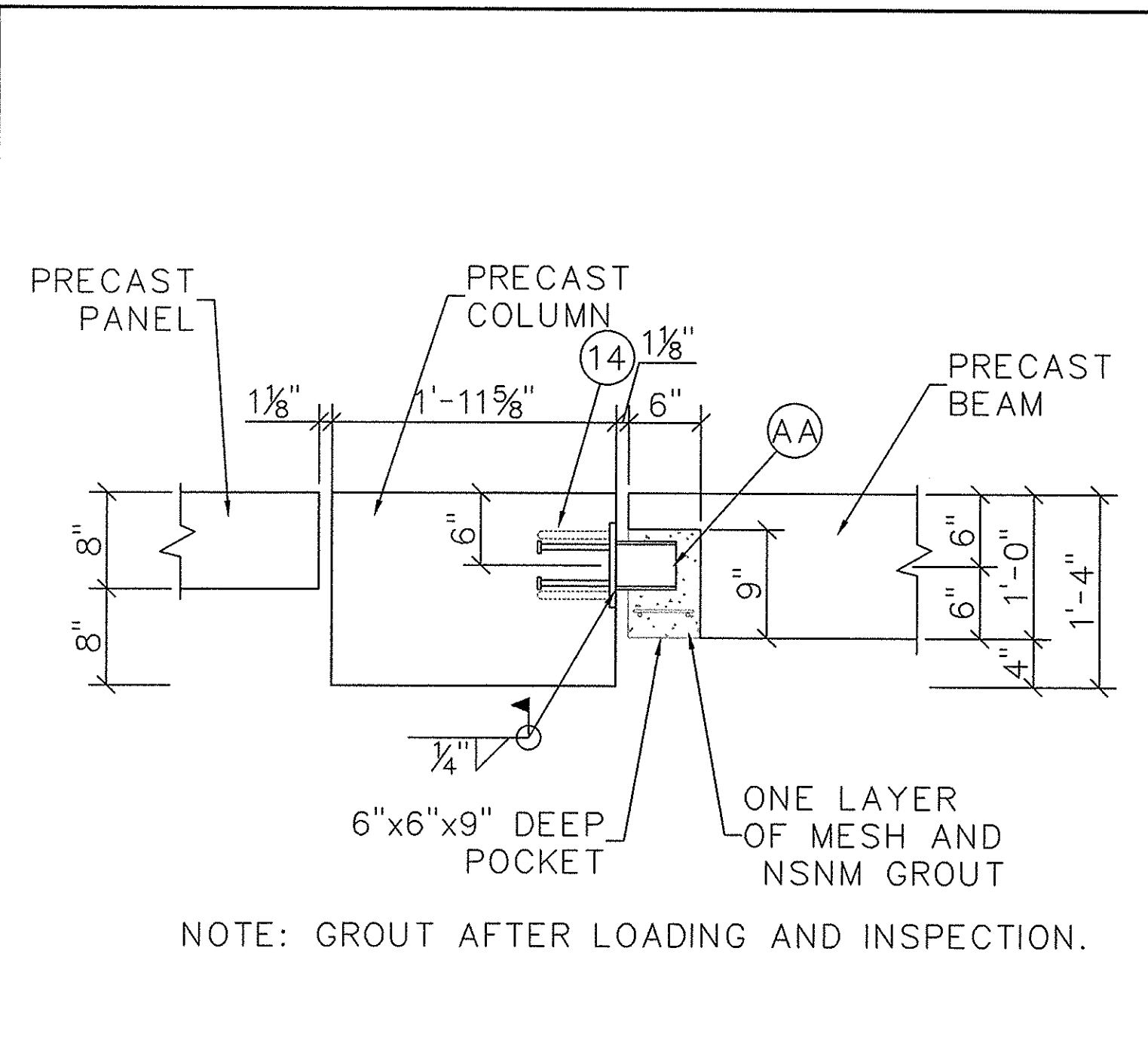
FLORENCE CONCRETE PRODUCTS, INC.
 ARCHITECTURAL & STRUCTURAL PRECAST CONCRETE
 865 INDUSTRIAL ROAD, SUMTER, SC 29150
 PHONE: (803) 775-4372 FAX: (803) 775-8569

CUSTOMER: PALMETTO CONSTRUCTION GROUP
 PROJECT NAME & ADDRESS: SUMMERVILLE TOWN HALL PARKING GARAGE, SUMMERVILLE, SC
 SHEET # 24 OF 33 PROJECT # 3279
 DRAWING NUMBER: E22
 DRAWN BY: PHK
 CHECKED BY: PHK
 DATE: 01/10/07
 SCALE:

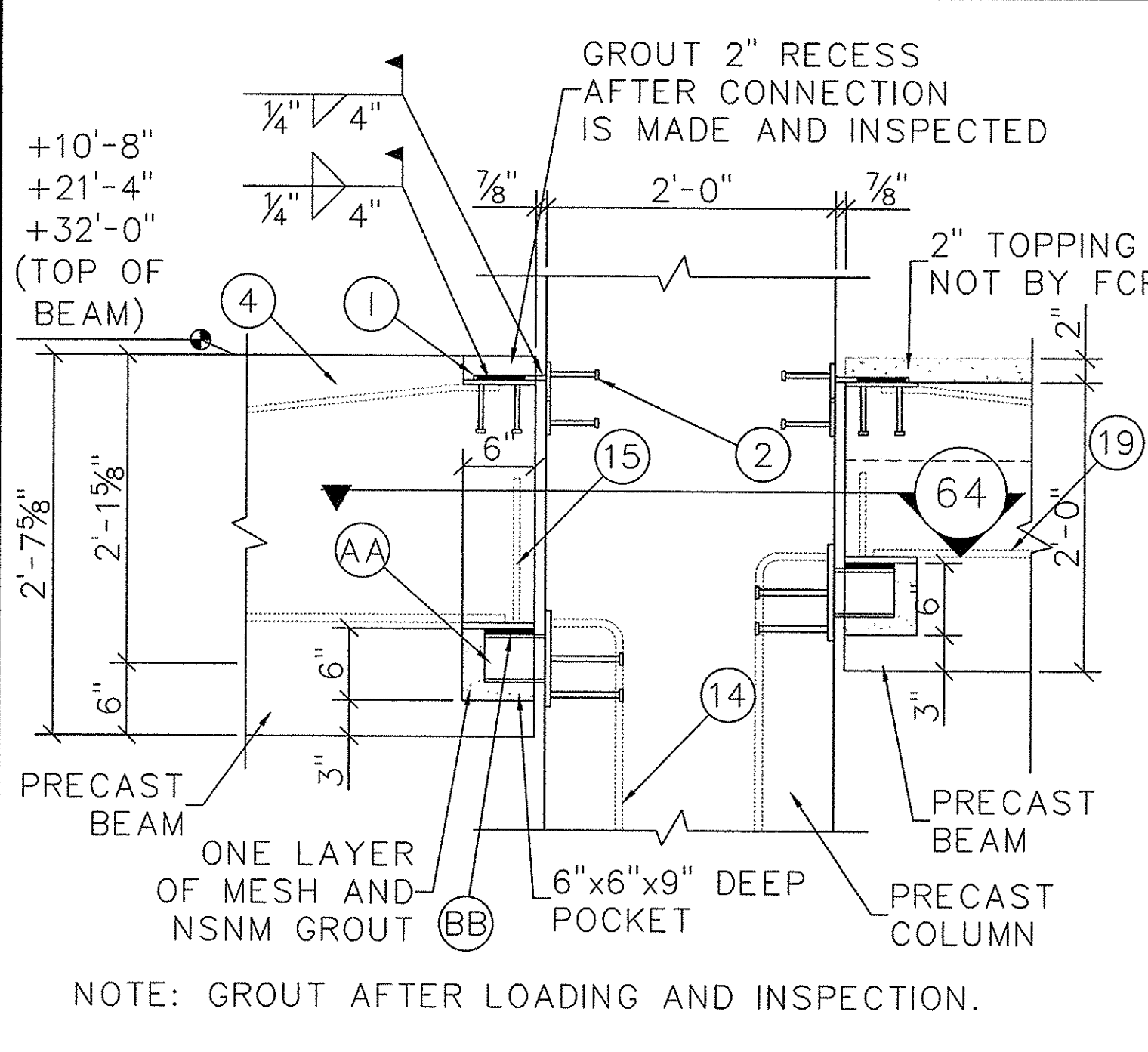
RELEASED FOR CONSTRUCTION MAY 07 2007



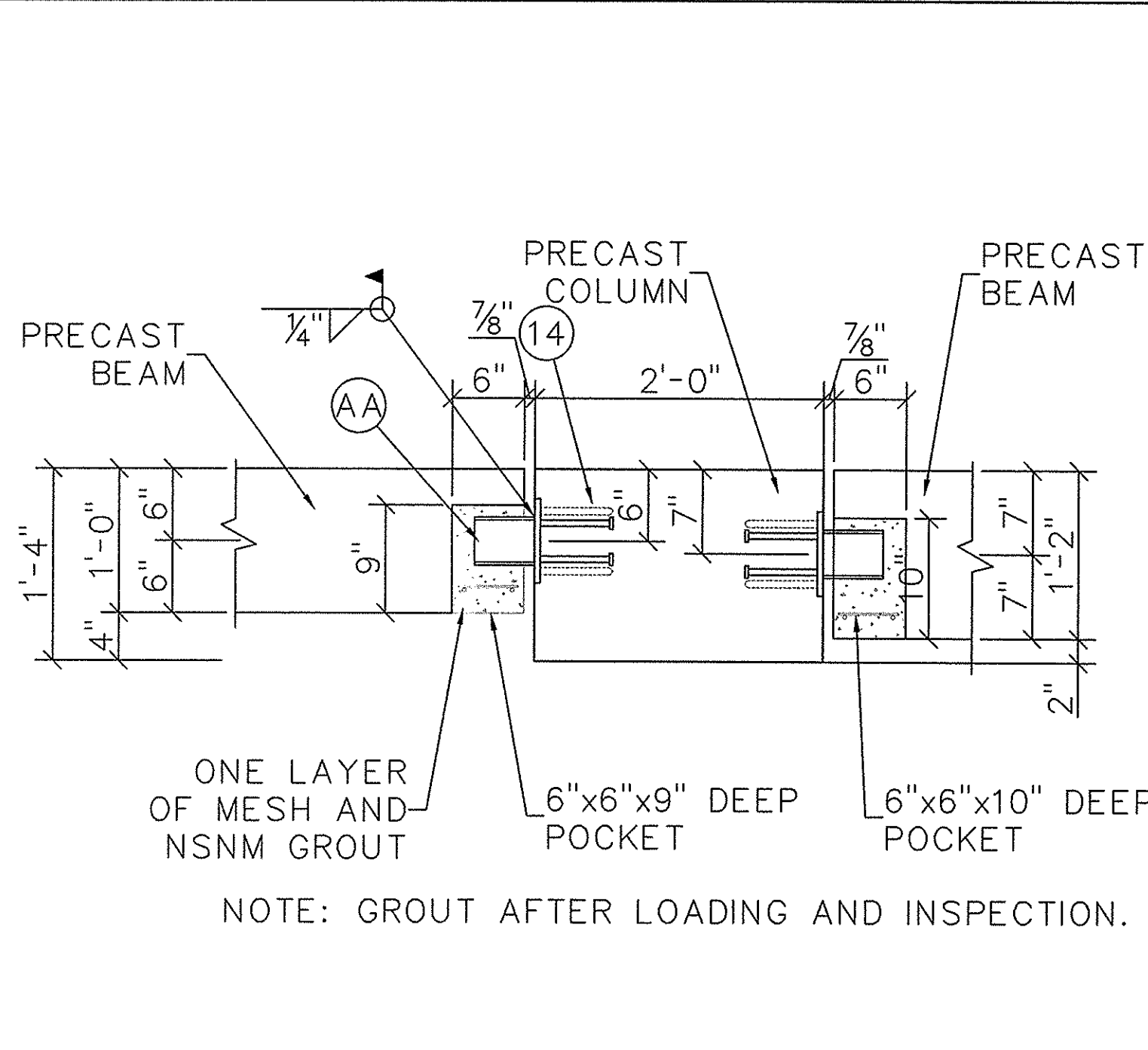
SECTION 61 1"=1'-0"



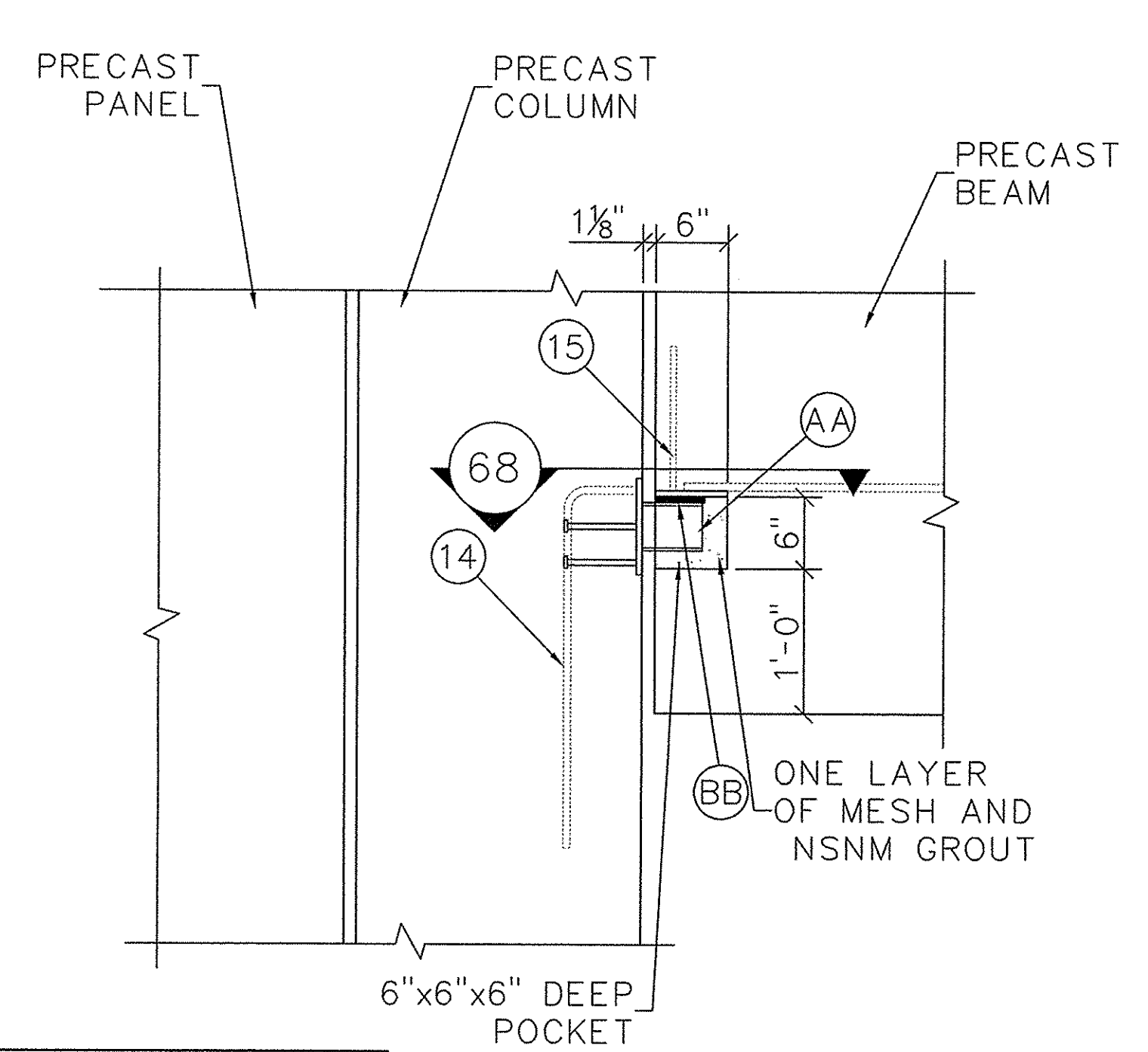
SECTION 62 1"=1'-0"



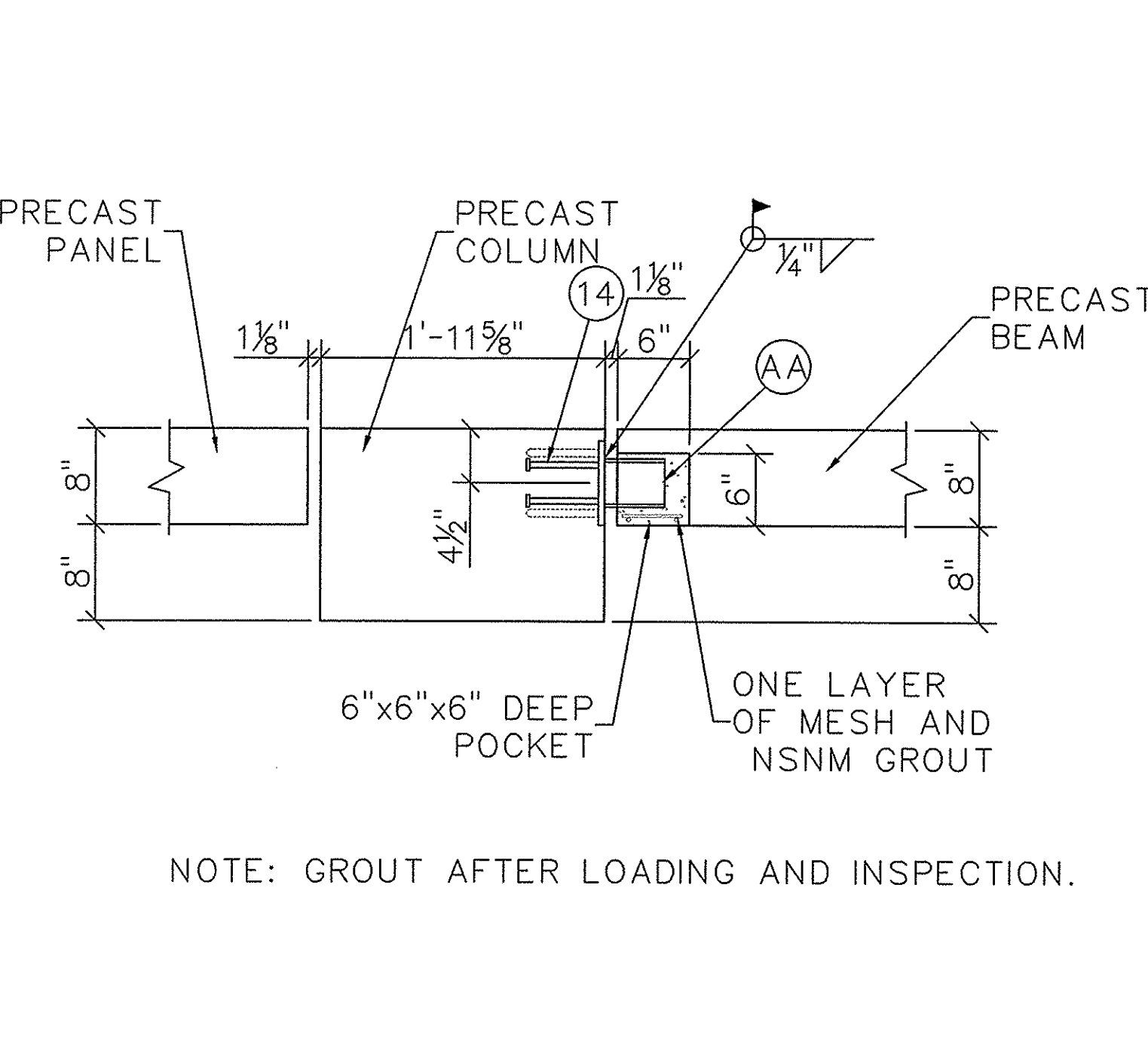
SECTION 63 1"=1'-0"



SECTION 64 1"=1'-0"

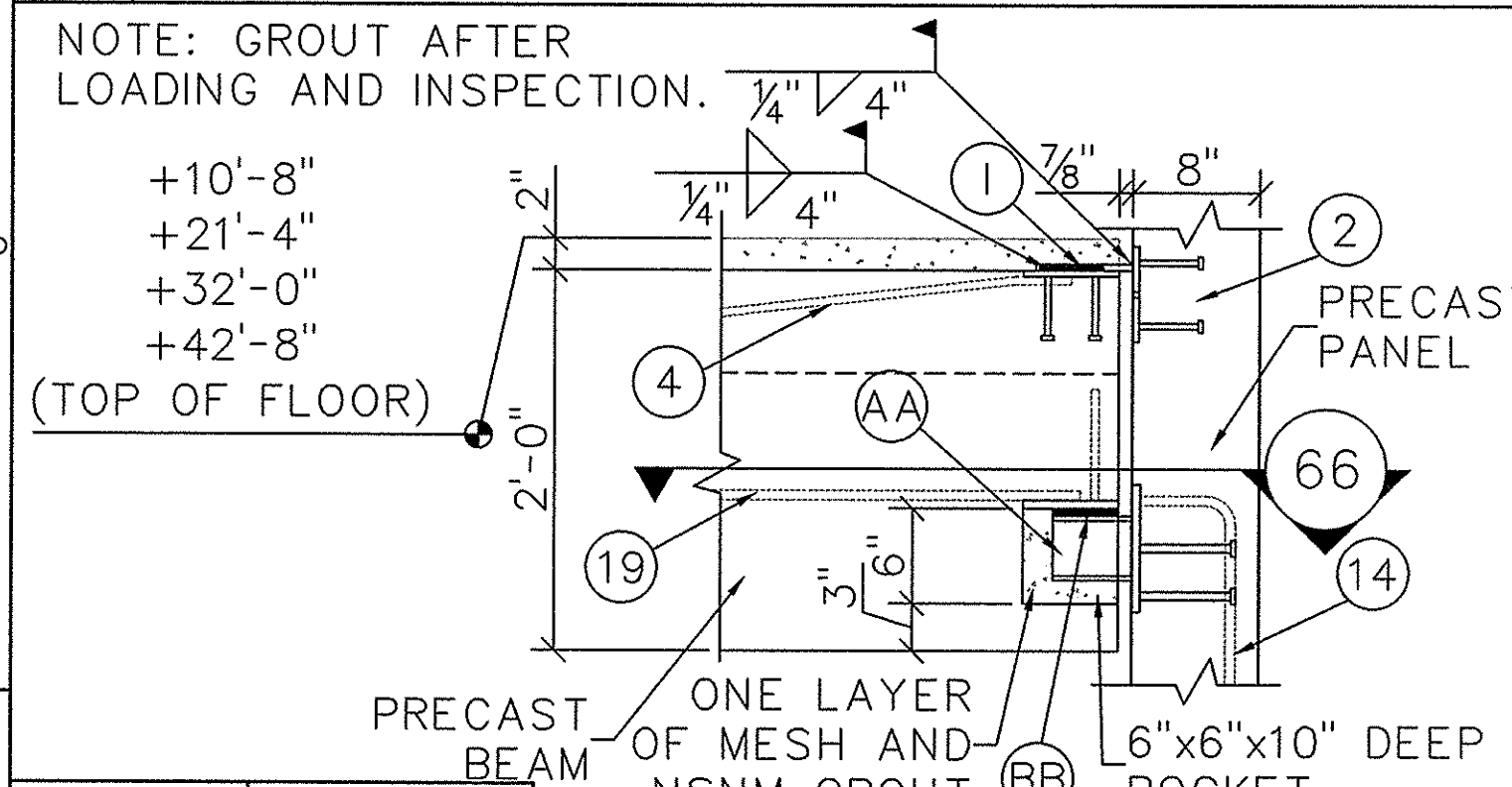


SECTION 67 1"=1'-0"

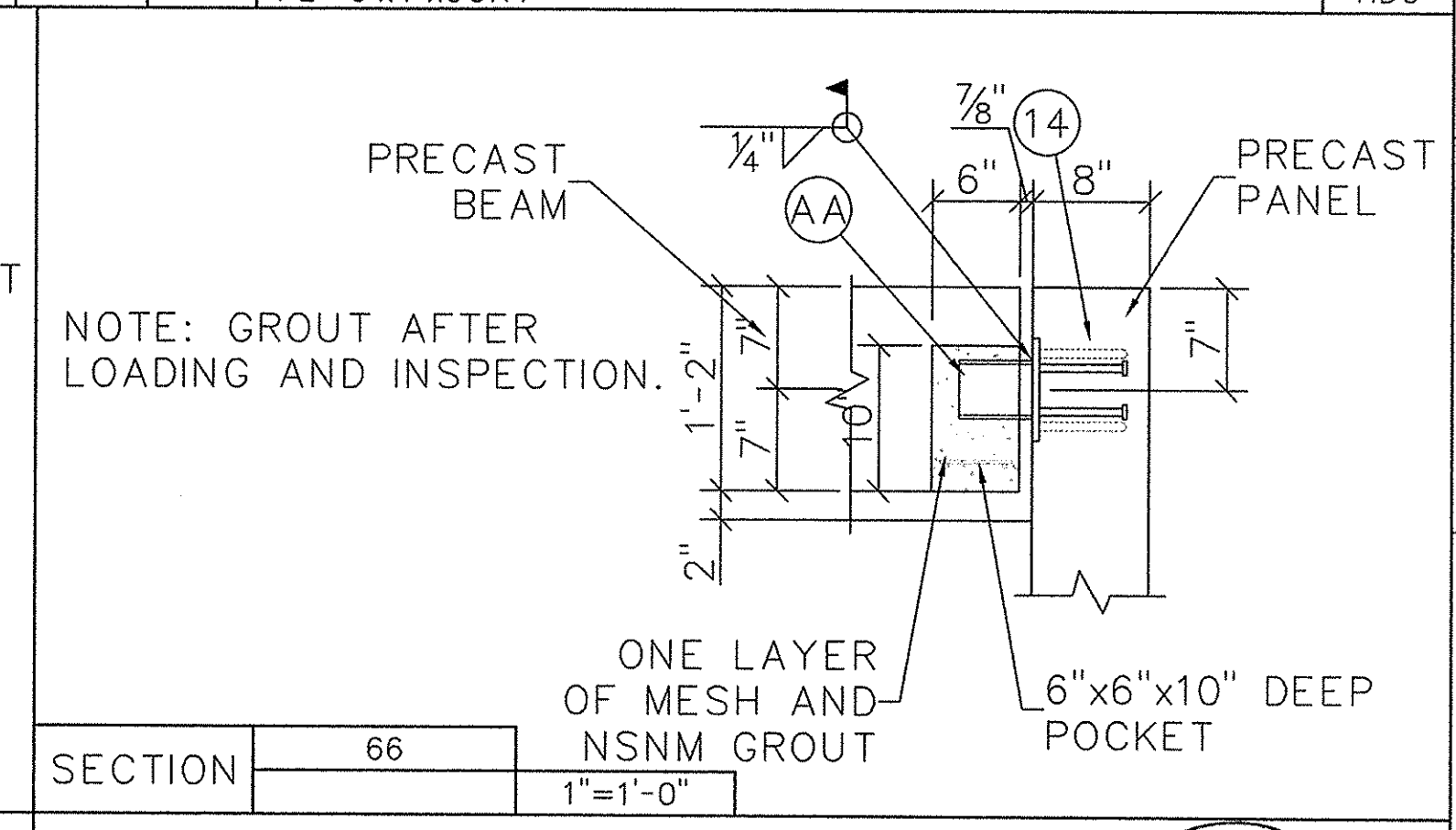


SECTION 68 1 1/2"=1'-0"

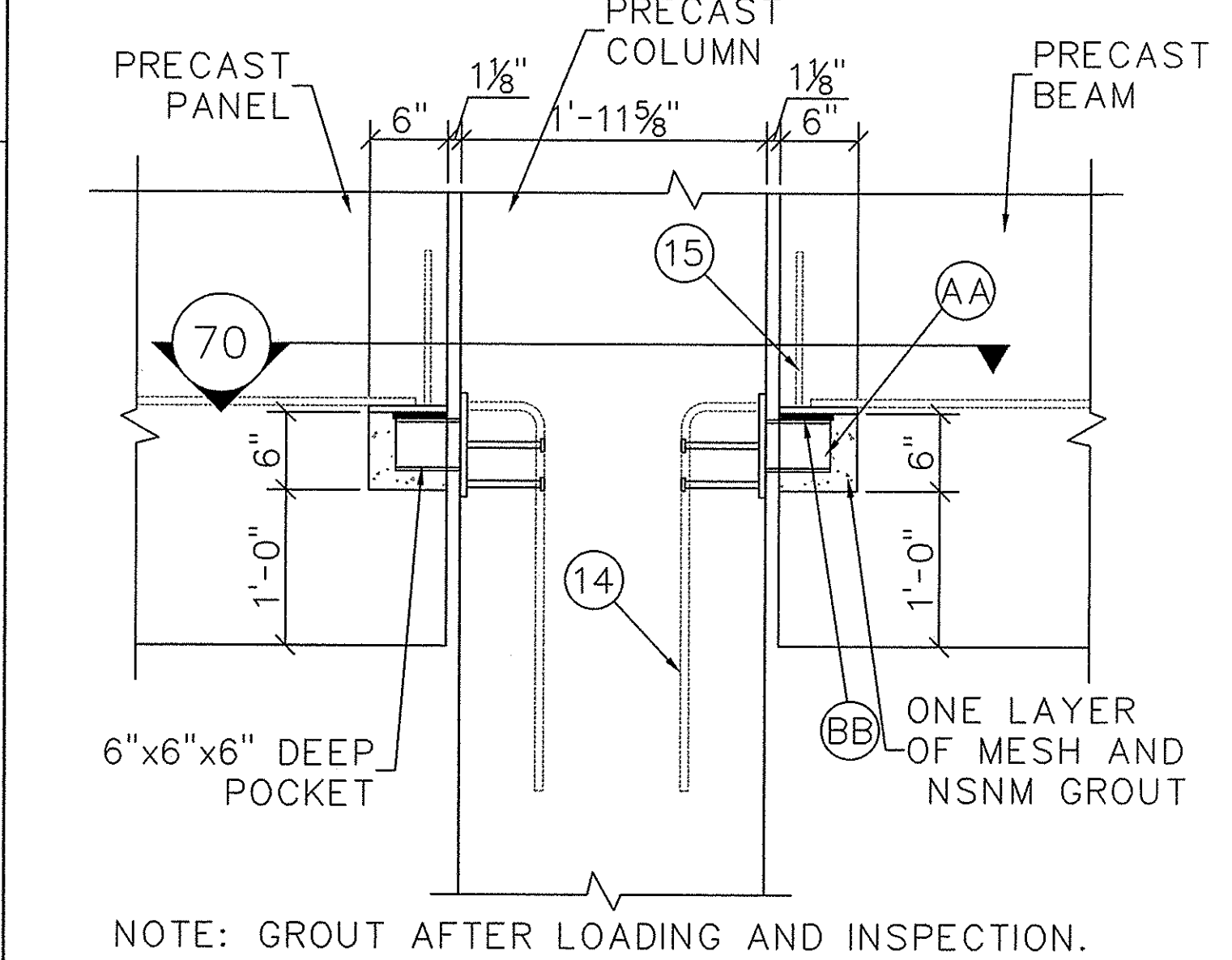
ITEM	CAST IN MATERIAL FURNISHED BY F.C.P.	FINISH	ITEM	ERECTION MATERIAL FURNISHED BY F.C.P.	FINISH
1	MP01 PL 3/8"x6"x8" w/(4)3/8"φx4" HAS & (2)#4x1'-9"	HDG	A	ME01 A36 ANCHOR BOLT 1 1/4"φx23" w/1 1/4"HHN & PL. 1/2"x4"x4"	NONE
2	MP02 PL 3/8"x6"x6" w/(4)3/8"φx4" HAS	HDG	B	ME08 PL 3/8"x6"x6" w/(4)3/8"φx4" HAS	HDG
3	MP03 PL 1 1/4"x1'-3 7/8"x1'-11 7/8" w/(4)ANGLES 6"x6"x3/8"x6" & (8)#6x4'-0"	HDG	C	ME02A PL 1/2"x9"x1'-2" w/(4)#5x1'-3" & (4)PL 1/2"x2"x2"	HDG
4	MP04 PL 3/8"x6"x6" w/(4)3/8"φx4" HAS & (2)#4x2'-6"	HDG	D	2"x6"x6" SHIM PACK	NONE
5	MP05 ANGLE 8"x8"x1/2"x7" w/(8)3/8"φx4" HAS & (4)#5x3'-6"	SCP	E	ME02 PL 1/2"x9"x1'-2" w/(4)#5x1'-8" & (4)PL 1/2"x2"x2"	HDG
6	MP06 ANGLE 8"x8"x1/2"x7" w/(4)3/8"φx4" HAS & (4)#5x3'-6"	SCP	F	1"x4"x4" SHIM PACK	NONE
7	MP07 ANGLE 6"x6"x1/2"x7" w/(8)3/8"φx4" HAS & (4)#5x3'-6"	SCP	G	ME03 PL 1/2"x9"x1'-2" w/(4)#5x2'-6"	HDG
8	MP29 ADD ON CORBEL ASSEMBLY w/MP08 & MP09	HDG	H	1/2"x5"x7"	SCP
9	MP29A ADD ON CORBEL ASSEMBLY w/MP08A & MP09A	HDG	I	PL 3/8"x4"x6"	HDG
10	MP10 PL 3/8"x6"x7 1/4" w/(1)1/2"φx12" DBA & (1)#7x6'-0"	HDG	J	PL 3/8"x4"x8"	HDG
11	MP11 PL 3/8"x6"x8 1/4" w/(1)1/2"φx12" DBA & (1)#7x6'-0"	HDG	K	3/8"x4"xCONT. MASTICORD BEARING PAD	NONE
12	MP12 PL 3/8"x6 1/2"x7 1/4" w/(1)1/2"φx10" DBA & (1)#7x6'-0"	HDG	L	PL 1/2"x4 1/2"x7"	HDG
13	MP13 PL 3/8"x6"x6" w/(4)1/4"φx1" HAS & (2)#4x2'-0"	HDG	M	ME08 1/4"x2"x2" PLATE WASHER w/ 7/8" HOLE	SCP
14	MP14 PL 1/2"x7"x8" w/(4)1/2"φx6" HAS & (2)#5x3'-0"	HDG	N	1/2"x5"xCONT. KOROLATH BEARING PAD	NONE
15	MP15 PL 1/2"x6"x6" w/(2)1/2"φx12" DBA & (2)#5x3'-0"	HDG	O	PL 3/8"x4"x12"	HDG
16	MP30 C6x8.2 CHANNEL FRAME w/1/2"φx6" HAS STAGGERED @ 0'-4" O/C	HDG	P		
17	JVI MINI-V	SS	Q	2"φ PIPE (2 3/8" OD)x6"	SCP
18	JVI VECTOR CONNECTOR	SS	R	5/8"x5/8"x5" SQUARE BAR A304	SS
19	MP16 PL 1/2"x6"x6" w/(2)1/2"φx7" DBA & (2)#5x3'-0"	HDG	S	ANGLE 6"x6"x1/2"xCONT.	HDG
20	MP17 PL 3/8"x6"x8 1/4" w/(4)3/8"φx4" HAS	HDG	T	1/2"x5"x5" MASTICORD BEARING PAD	NONE
21	MP18 PL 3/4"x1'-11 1/2"x8" w/(4)#6x4'-6" & (4)#5x1'-10"	HDG	U	3/8"x3/8"x4" SQUARE BAR A304	SS
22	MP19 PL 3/8"x6"x1'-0" w/(8)1/2"φx18" DBA	HDG	V	1"x1"x4" SQUARE BAR A36	HDG
23	MP20 PL 3/8"x6"x8" w/(6)1/2"φx18" DBA	HDG	W	ANGLE 4"x6"x3/8"x4"	HDG
24	#7 BENT BAR	NONE	X		
25	1 1/2"x5" PVC SLEEVE	NONE	Y	HILTI HAS-E 3/4"φx10 (ITEM# 333201)	NONE
26	MP21 PL. 1/2"x6"x6" w/(4)1/2"φx5" HAS & 3/4"φ DR B25 COIL NUT	HDG	Z	ANGLE 1/4"x4"x4"	NONE
27	MP27 ADD ON CORBEL ASSEMBLY w/MP22 & MP24	HDG			
28	MP27A ADD ON CORBEL ASSEMBLY w/MP23 & MP24	HDG	BB	1/2"x4"x4" MASTICORD BEARING PAD	NONE
29	DAYTON SUPERIOR B16 3/4"φx4" COIL LOOP INSERT w/T21 PLASTIC PLUG	NONE	CC	1/2"x6"x10" MASTICORD BEARING PAD	NONE
30	4"x6" PLASTIC DT BLOCKOUT	NONE	DD	3/4"x3/4"x4" SQUARE BAR A36	HDG
31	1"φx6" PVC	NONE	EE	#5 BENT BAR x 1'-3"	NONE
32	MP28 3/8"x5 1/2"x8 1/4" w/(1)1/2"φx12" DBA & (1)#7x6'-0"	HDG	FF	HILTI HY150 EPOXY	NONE
33	MP25 PLUG IN HAUNCH ASSEMBLY w/MP26	NONE	GG	1/2"x4"x4" SHIM PACK	NONE
34	MP25A PLUG IN HAUNCH ASSEMBLY w/MP26A	NONE	HH	3/4"φx7" LG HILTI KWIK BOLT III	NONE
35	MP25B PLUG IN HAUNCH ASSEMBLY w/MP26B	NONE	II	D/R B-5 HEAVY DUTY LONG PIPE BRACEx38"-4"	NONE
36	3"φx8" LONG METAL SLEEVE	NONE	JJ	D/R T-16 1 1/2"φ PIPE KNEE BRACEx10"-6"	NONE
37	MP18A PL 3/4"x1'-1 1/2"x8" w/(4)#7x4'-6" & (4)#5x1'-10 3/4"	HDG	KK	ME05 1/4"x3"x3" PLATE WASHER w/ 7/8"φ HOLE	SCP
38	MP31 PL 1/2"x1'-0"x8 1/4" w/(3)#7x4'-6" & (3)1/2"φx1'-0" DBA	HDG	LL	D/R T-17 SWIVEL COUPLER	NONE
39	MP32 ANGLE 4"x2"x4"x8" w/(2)1/2"φx18" DBA & (2)1/4"φx1" HAS	HDG	MM	ME06 1/2"x4"x4" w/1"φ MASTICORD PAD	NONE
40	MP27B ADD ON CORBEL ASSEMBLY w/MP37 & MP24	HDG	NN	ME07 PL. 1/2"x4"x4" w/7/8"φ HOLE	HDG
41	MP35 PL. 3/8"x6"x12" w/(5)3/8"φx3" HAS & #7x6'-0"	HDG	OO	D/R 3/4"φ B25 COIL NUT	NONE
42	MP36 PL. 1/2"x6"x14" w/(6)3/8"φx4" HAS	HDG	PP	3/4"φx9 1/2" COIL ROD	NONE
43	MP03A PL. 1 3/4"x1'-3 7/8"x1'-11 7/8" w/(4)ANGLES 6"x6"x3/8"x6" w/(8)#6x4'-0"	HDG	QQ	BENT PL 1/2"xVARIESxCONT	HDG
44	MP27C ADD ON CORBEL ASSEMBLY w/MP22A & MP24A	HDG	RR	PL 3/8"x4"xCONT	HDG



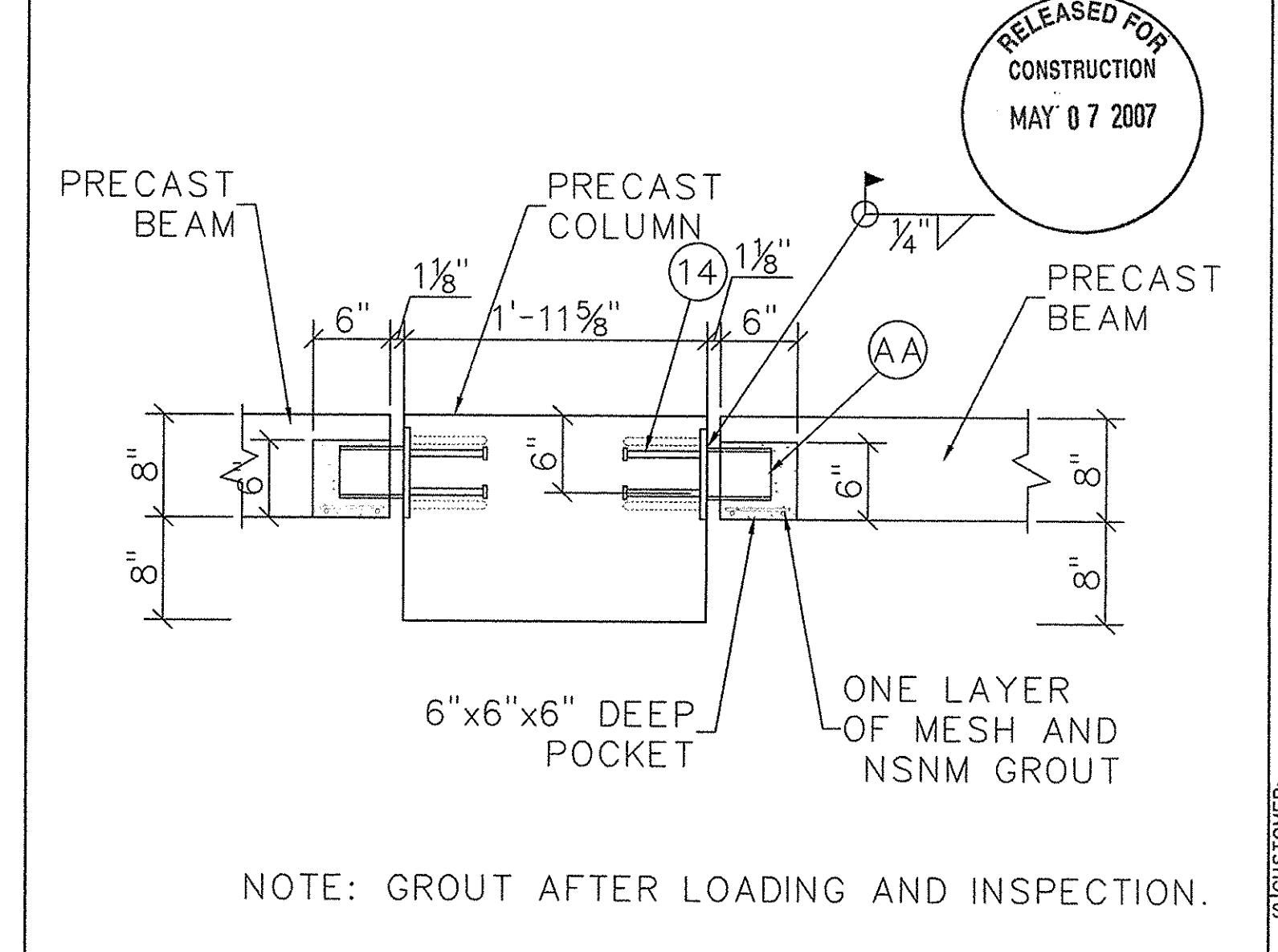
SECTION 65 1"=1'-0"



SECTION 66 1"=1'-0"



SECTION 69 1"=1'-0"



SECTION 70 1"=1'-0"

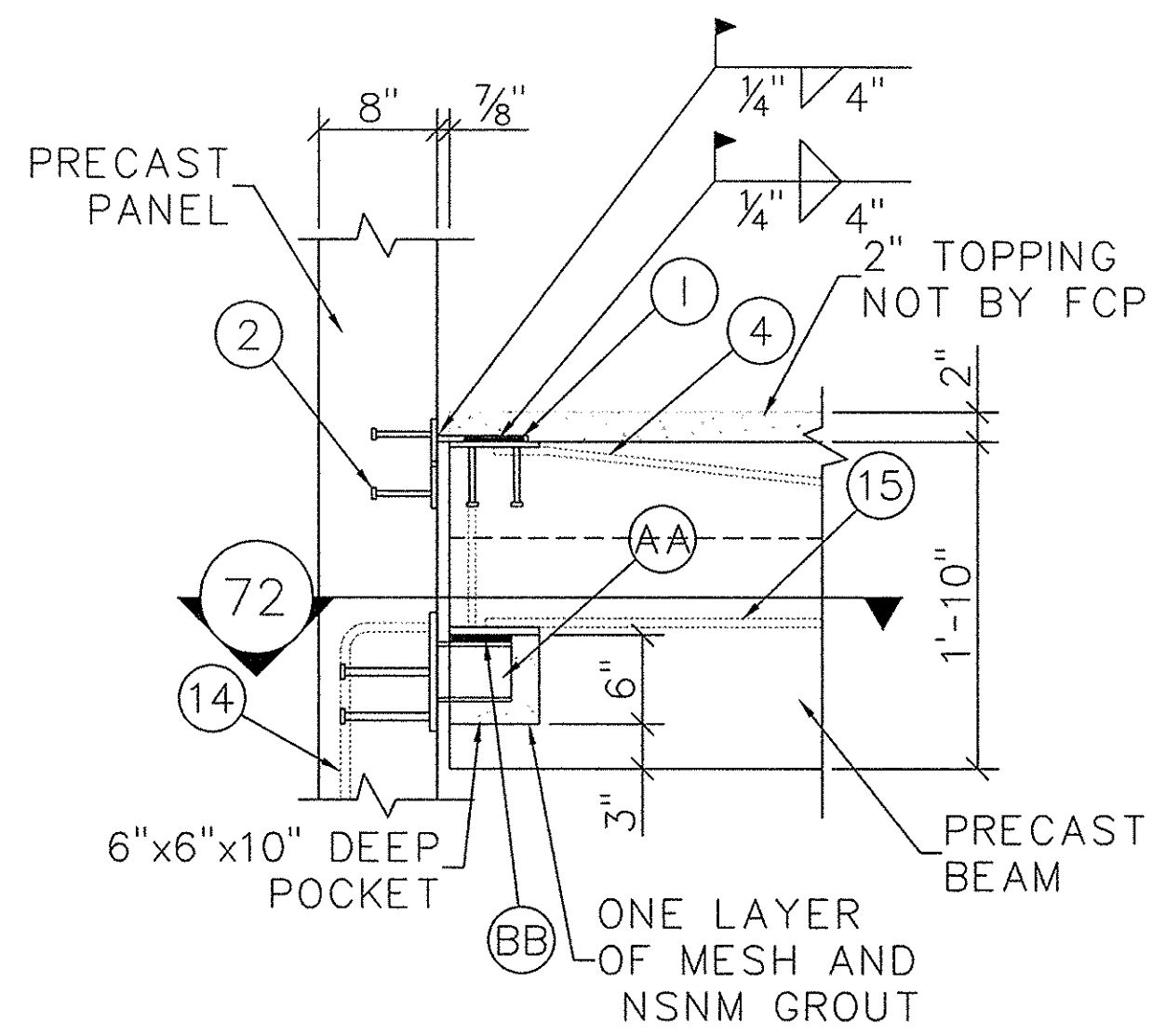
FLORENCE CONCRETE PRODUCTS, INC.
 ARCHITECTURAL & STRUCTURAL PRECAST CONCRETE

865 INDUSTRIAL ROAD, SUMTER, SC 29150
 PHONE: (803) 775-4372 FAX: (803) 775-8569

RELEASED FOR CONSTRUCTION MAY 07 2007

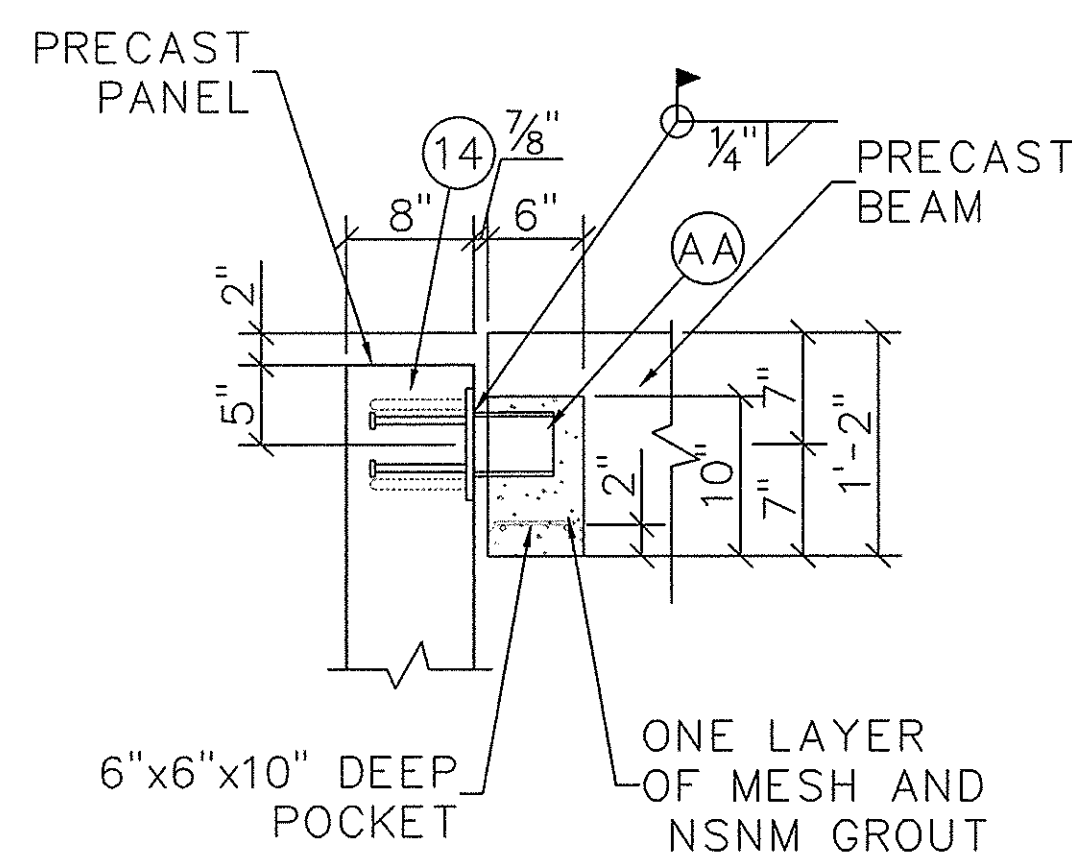
CUSTOMER: PALMETTO CONSTRUCTION GROUP
 PROJECT NAME & ADDRESS: SUMMERVILLE TOWN HALL PARKING GARAGE SUMMERVILLE, SC
 SECTIONS AND DETAILS
 DRAWN BY: PHK
 CHECKED BY: b
 DATE: 01/10/07
 SCALE:

SHEET # 25 of 33 PROJECT # 3279
 DRAWING NUMBER: E23



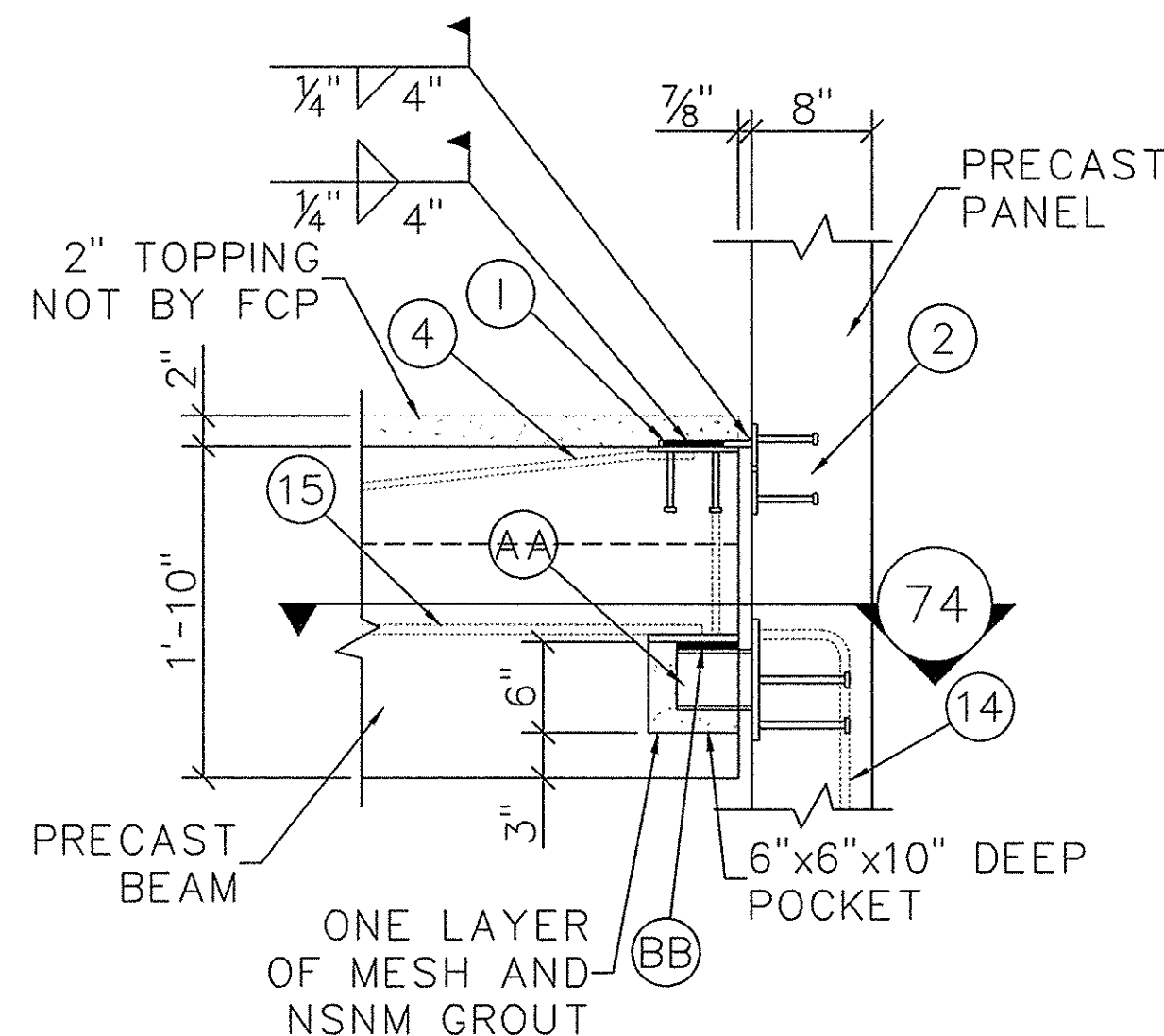
NOTE: GROUT AFTER LOADING AND INSPECTION.

SECTION 71 1"=1'-0"



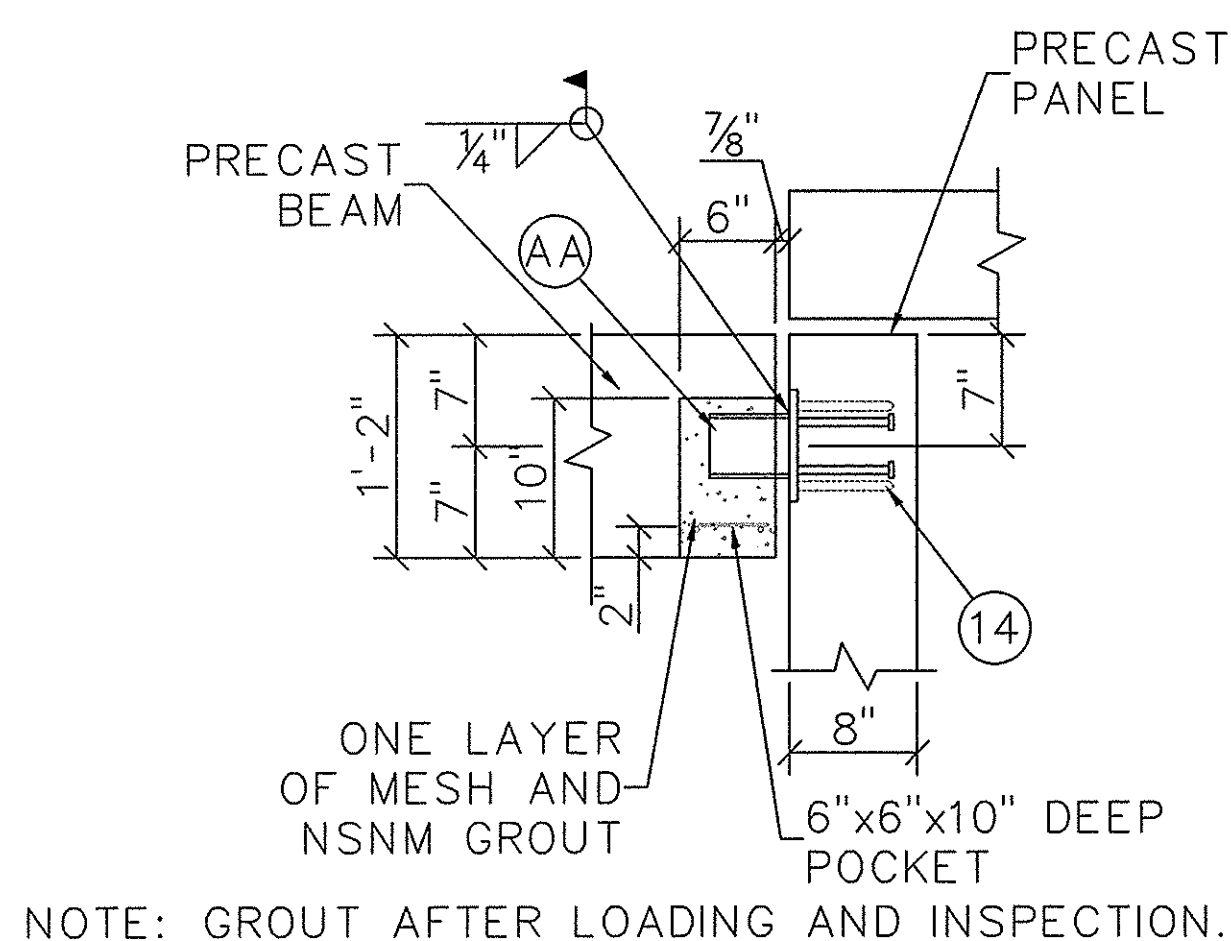
NOTE: GROUT AFTER LOADING AND INSPECTION.

SECTION 72 1"=1'-0"



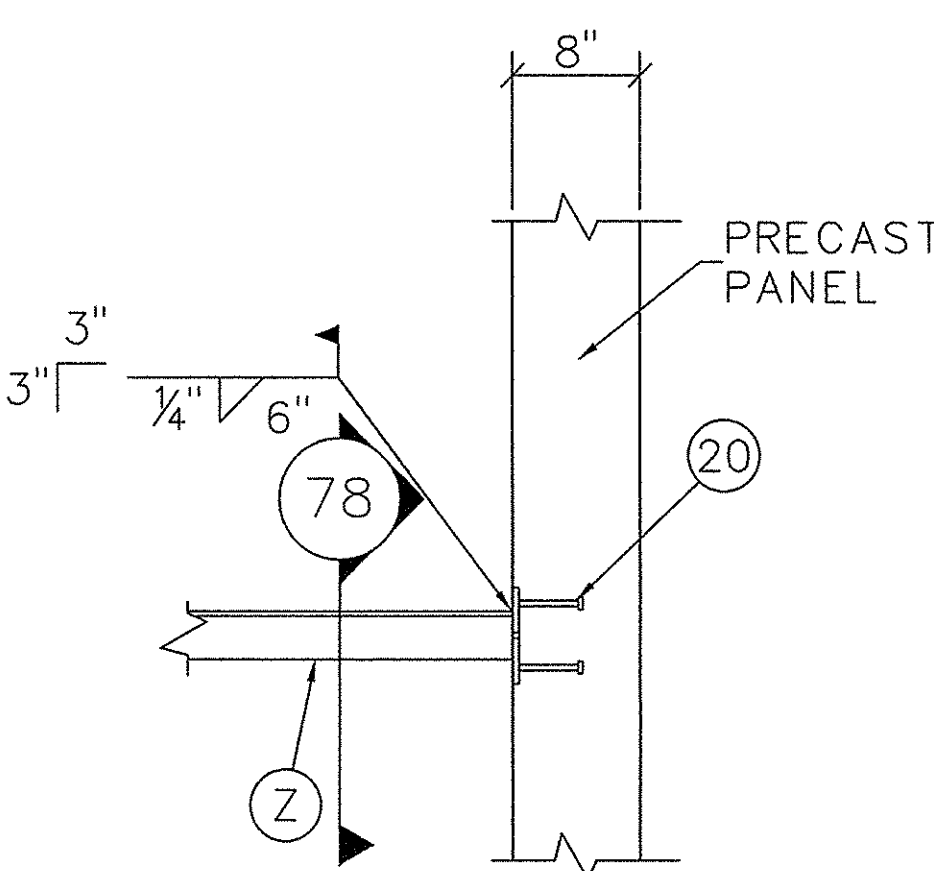
NOTE: GROUT AFTER LOADING AND INSPECTION.

SECTION 73 1"=1'-0"

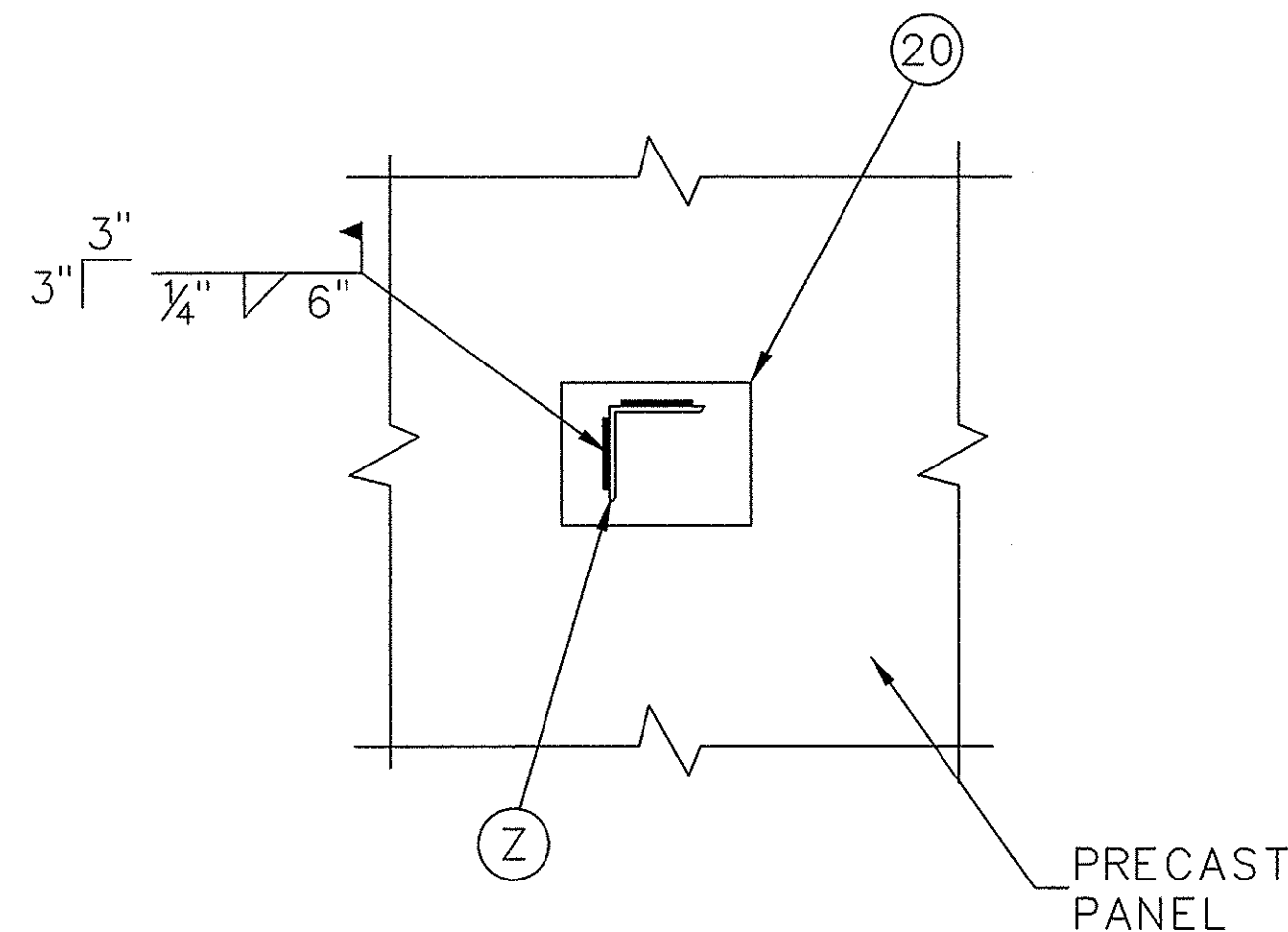


NOTE: GROUT AFTER LOADING AND INSPECTION.

SECTION 74 1"=1'-0"

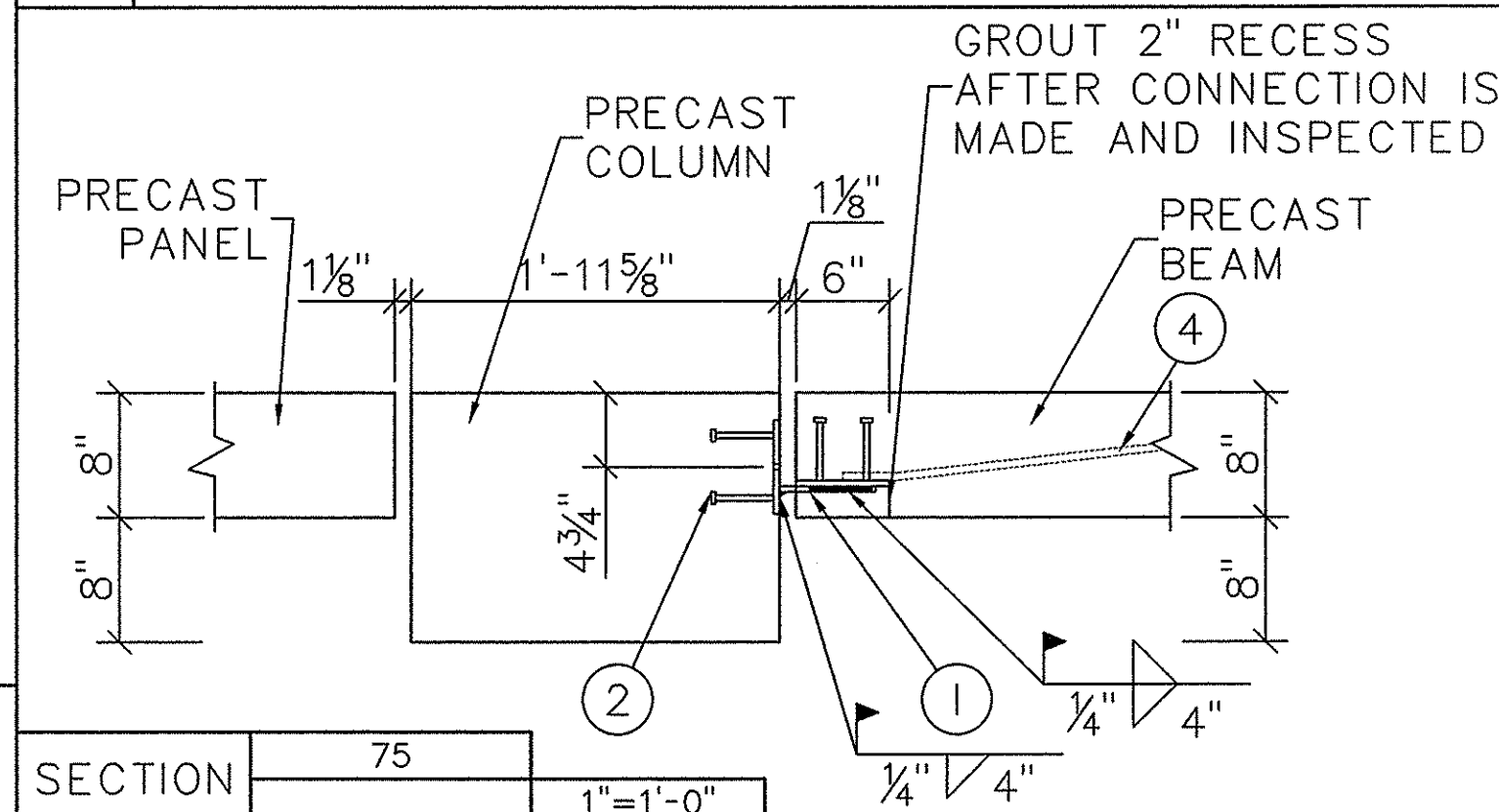


SECTION 77 1"=1'-0"

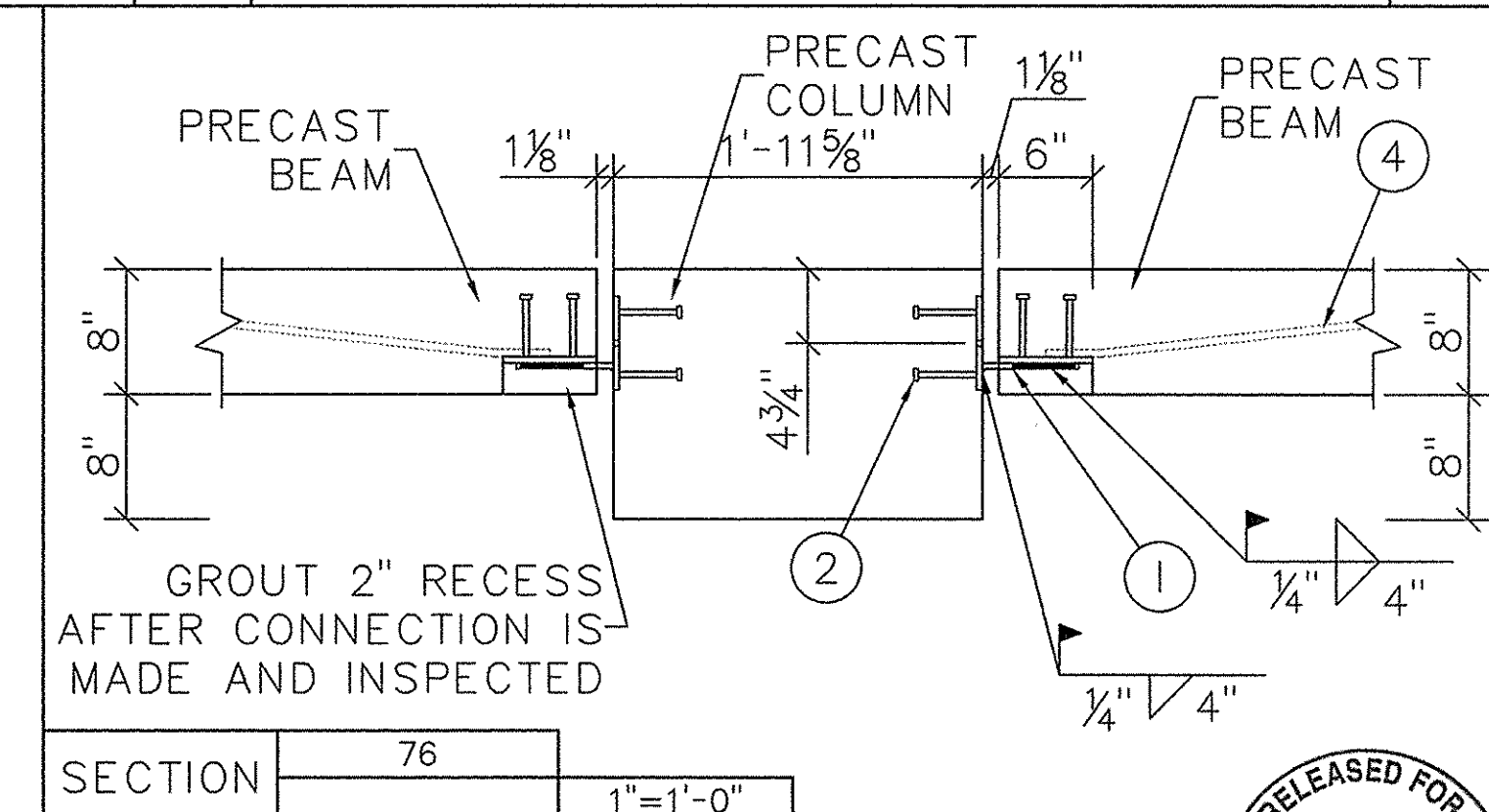


SECTION 78 1"=1'-0"

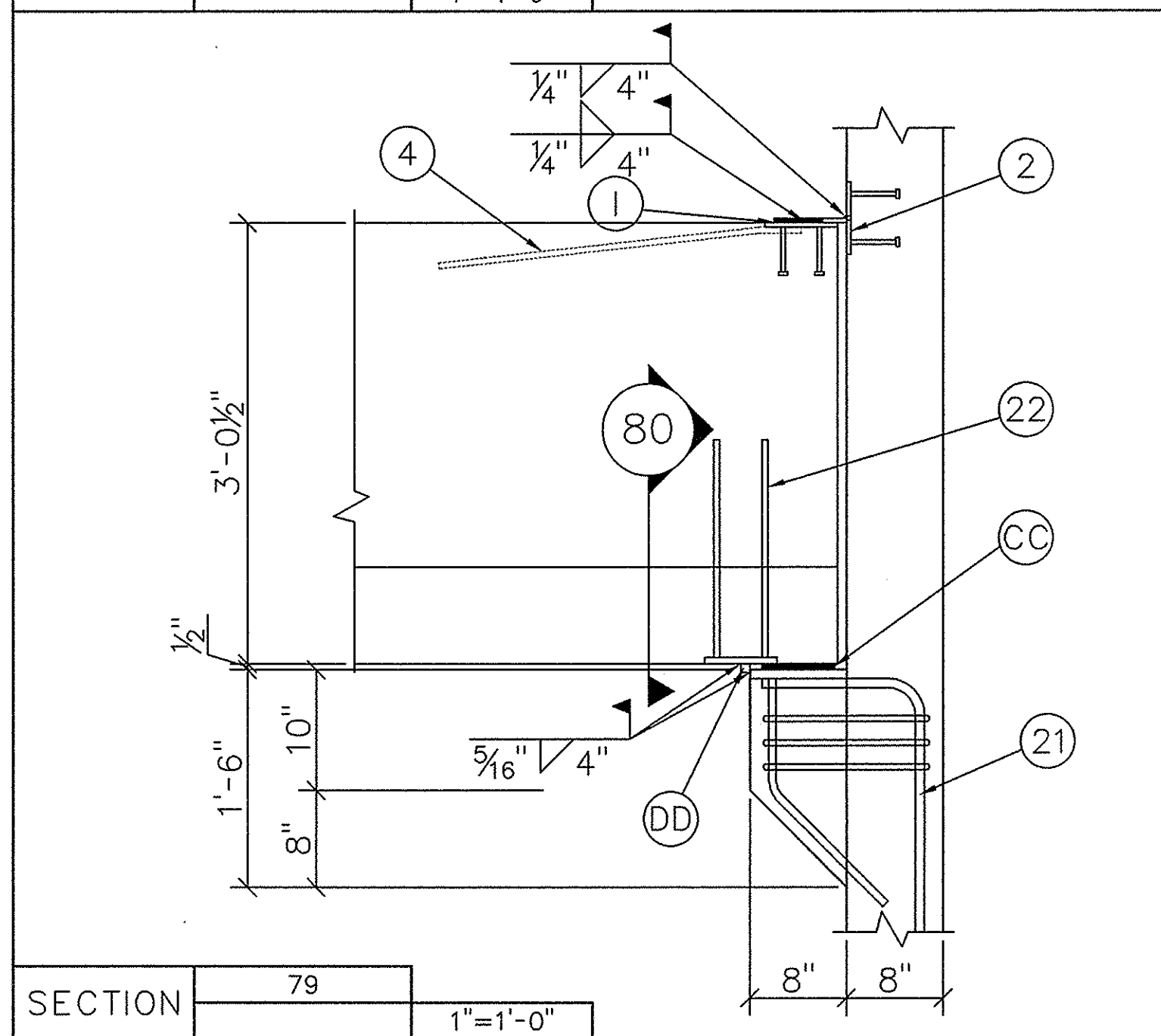
ITEM	CAST IN MATERIAL FURNISHED BY F.C.P.	FINISH	ITEM	ERECTION MATERIAL FURNISHED BY F.C.P.	FINISH
1	MP01 PL 3/8"x6"x8" w/(4)3/8"φx4" HAS & (2)#4x1'-9"	HDG	A	ME01 A36 ANCHOR BOLT 1/4"φx23" w/1/4"HHN & PL. 1/2"x4"x4"	NONE
2	MP02 PL 3/8"x6"x6" w/(4)3/8"φx4" HAS	HDG	B	ME08 PL 3/8"x6"x6" w/(4)3/8"φx4" HAS	HDG
3	MP03 PL 1/4"x1'-3/8"x1'-11/8" w/(4)ANGLES 6"x6"x3/8"x6" & (8)#6x4'-0"	HDG	C	ME02A PL 1/2"x9"x1'-2" w/(4)#5x1'-3" & (4)PL 1/2"x2"x2"	HDG
4	MP04 PL 3/8"x6"x6" w/(4)3/8"φx4" HAS & (2)#4x2'-6"	HDG	D	2"x6"x6" SHIM PACK	NONE
5	MP05 ANGLE 8"x8"x1/2"x7" w/(8)3/8"φx4" HAS & (4)#5x3'-6"	SCP	E	ME02 PL 1/2"x9"x1'-2" w/(4)#5x1'-8" & (4)PL 1/2"x2"x2"	HDG
6	MP06 ANGLE 8"x8"x1/2"x7" w/(4)3/8"φx4" HAS & (4)#5x3'-6"	SCP	F	1"x4"x4" SHIM PACK	NONE
7	MP07 ANGLE 6"x6"x1/2"x7" w/(8)3/8"φx4" HAS & (4)#5x3'-6"	SCP	G	ME03 PL 1/2"x9"x1'-2" w/(4)#5x2'-6"	HDG
8	MP29 ADD ON CORBEL ASSEMBLY w/MP08 & MP09	HDG	H	PL 1/2"x5"x7"	SCP
9	MP29A ADD ON CORBEL ASSEMBLY w/MP08A & MP09A	HDG	I	PL 3/8"x4"x6"	HDG
10	MP10 PL 3/8"x6"x7 1/4" w/(1)1/2"φx12" DBA & (1)#7x6'-0"	HDG	J	PL 3/8"x4"x8"	HDG
11	MP11 PL 3/8"x6"x8 1/4" w/(1)1/2"φx12" DBA & (1)#7x6'-0"	HDG	K	3/8"x4"xCONT. MASTICORD BEARING PAD	NONE
12	MP12 PL 3/8"x6 1/2"x7 1/4" w/(1)1/2"φx10" DBA & (1)#7x6'-0"	HDG	L	PL 1/2"x4 1/2"x7"	HDG
13	MP13 PL 3/8"x6"x6" w/(4)1/4"φx1" HAS & (2)#4x2'-0"	HDG	M	ME08 1/4"x2"x2" PLATE WASHER w/ 7/8" HOLE	SCP
14	MP14 PL 1/2"x7"x8" w/(4)1/2"φx6" HAS & (2)#5x3'-0"	HDG	N	1/2"x5"xCONT. KOROLATH BEARING PAD	NONE
15	MP15 PL 1/2"x6"x6" w/(2)1/2"φx12" DBA & (2)#5x3'-0"	HDG	O	PL 3/8"x4"x12"	HDG
16	MP30 C6x8.2 CHANNEL FRAME w/1/2"φx6" HAS STAGGERED @ 0'-4" O/C	HDG	P		
17	JVI MINI-V	SS	Q	2"φ PIPE (2 3/8" OD)x6"	SCP
18	JVI VECTOR CONNECTOR	SS	R	5/8"x5/8"x5" SQUARE BAR A304	SS
19	MP16 PL 1/2"x6"x6" w/(2)1/2"φx7" DBA & (2)#5x3'-0"	HDG	S	ANGLE 6"x6"x1/2"xCONT.	HDG
20	MP17 PL 3/8"x6"x8" w/(4)3/8"φx4" HAS	HDG	T	1/2"x5"x5" MASTICORD BEARING PAD	NONE
21	MP18 PL 3/4"x1'-1 1/2"x8" w/(4)#6x4'-6" & (4)#5x1'-10"	HDG	U	3/8"x3/8"x4" SQUARE BAR A304	SS
22	MP19 PL 3/8"x6"x1'-0" w/(8)1/2"φx18" DBA	HDG	V	1"x1"x4" SQUARE BAR A36	HDG
23	MP20 PL 3/8"x6"x8" w/(6)1/2"φx18" DBA	HDG	W	ANGLE 4"x6"x3/8"x4"	HDG
24	#7 BENT BAR	NONE	X		
25	1 1/2"x5" PVC SLEEVE	NONE	Y	HILTI HAS-E 3/4"φx10 (ITEM# 333201)	NONE
26	MP21 PL. 1/2"x6"x6" w/(4)1/2"φx5" HAS & 3/4"φ DR B25 COIL NUT	HDG	Z	ANGLE 1/4"x4"x4"	NONE
27	MP27 ADD ON CORBEL ASSEMBLY w/MP22 & MP24	HDG			
28	MP27A ADD ON CORBEL ASSEMBLY w/MP23 & MP24	HDG	BB	1/2"x4"x4" MASTICORD BEARING PAD	NONE
29	DAYTON SUPERIOR B16 3/4"φx4" COIL LOOP INSERT w/T21 PLASTIC PLUG	NONE	CC	1/2"x6"x10" MASTICORD BEARING PAD	NONE
30	4"x6" PLASTIC DT BLOCKOUT	NONE	DD	3/4"x3/4"x4" SQUARE BAR A36	HDG
31	1"φx6" PVC	NONE	EE	#5 BENT BAR x 1'-3"	NONE
32	MP28 3/8"x5 1/2"x8 1/4" w/(1)1/2"φx12" DBA & (1)#7x6'-0"	HDG	FF	HILTI HY150 EPOXY	NONE
33	MP25 PLUG IN HAUNCH ASSEMBLY w/MP26	NONE	GG	1/2"x4"x4" SHIM PACK	NONE
34	MP25A PLUG IN HAUNCH ASSEMBLY w/MP26A	NONE	HH	3/4"φx7" LG HILTI KWIK BOLT III	NONE
35	MP25B PLUG IN HAUNCH ASSEMBLY w/MP26B	NONE	II	D/R B-5 HEAVY DUTY LONG PIPE BRACEx38"-4"	NONE
36	3"φx8" LONG METAL SLEEVE	NONE	JJ	D/R T-16 1 1/2"φ PIPE KNEE BRACEx10'-6"	NONE
37	MP18A PL 3/4"x1'-1 1/2"x8" w/(4)#7x4'-6" & (4)#5x1'-10 3/4"	HDG	KK	ME05 1/4"x3"x3" PLATE WASHER w/ 7/8"φ HOLE	SCP
38	MP31 PL 1/2"x1'-0"x8 1/4" w/(3)#7x4'-6" & (3)1/2"φx1'-0" DBA	HDG	LL	D/R T-17 SWIVEL COUPLER	NONE
39	MP32 ANGLE 4"x2"x1/4"x8" w/(2)1/2"φx18" DBA & (2)1/4"φx1" HAS	HDG	MM	ME06 1/2"x4"x4" w/1"φ MASTICORD PAD	NONE
40	MP27B ADD ON CORBEL ASSEMBLY w/MP37 & MP24	HDG	NN	ME07 PL. 1/2"x4"x4" w/7/8"φ HOLE	HDG
41	MP35 PL. 3/8"x6"x12" w/(5)3/8"φx3" HAS & #7x6'-0"	HDG	OO	D/R 3/4"φ B25 COIL NUT	NONE
42	MP36 PL. 1/2"x6"x14" w/(6)3/8"φx4" HAS	HDG	PP	3/4"φx9 1/2" COIL ROD	NONE
43	MP03A PL. 1 3/4"x1'-3/8"x1'-11 1/2" w/(4)ANGLES 6"x6"x3/8"x6" w/(8)#6x4'-0"	HDG	QQ	BENT PL 1/4"xVARIESxCONT	HDG
44	MP27C ADD ON CORBEL ASSEMBLY w/MP22A & MP24A	HDG	RR	PL 3/8"x4"xCONT	HDG



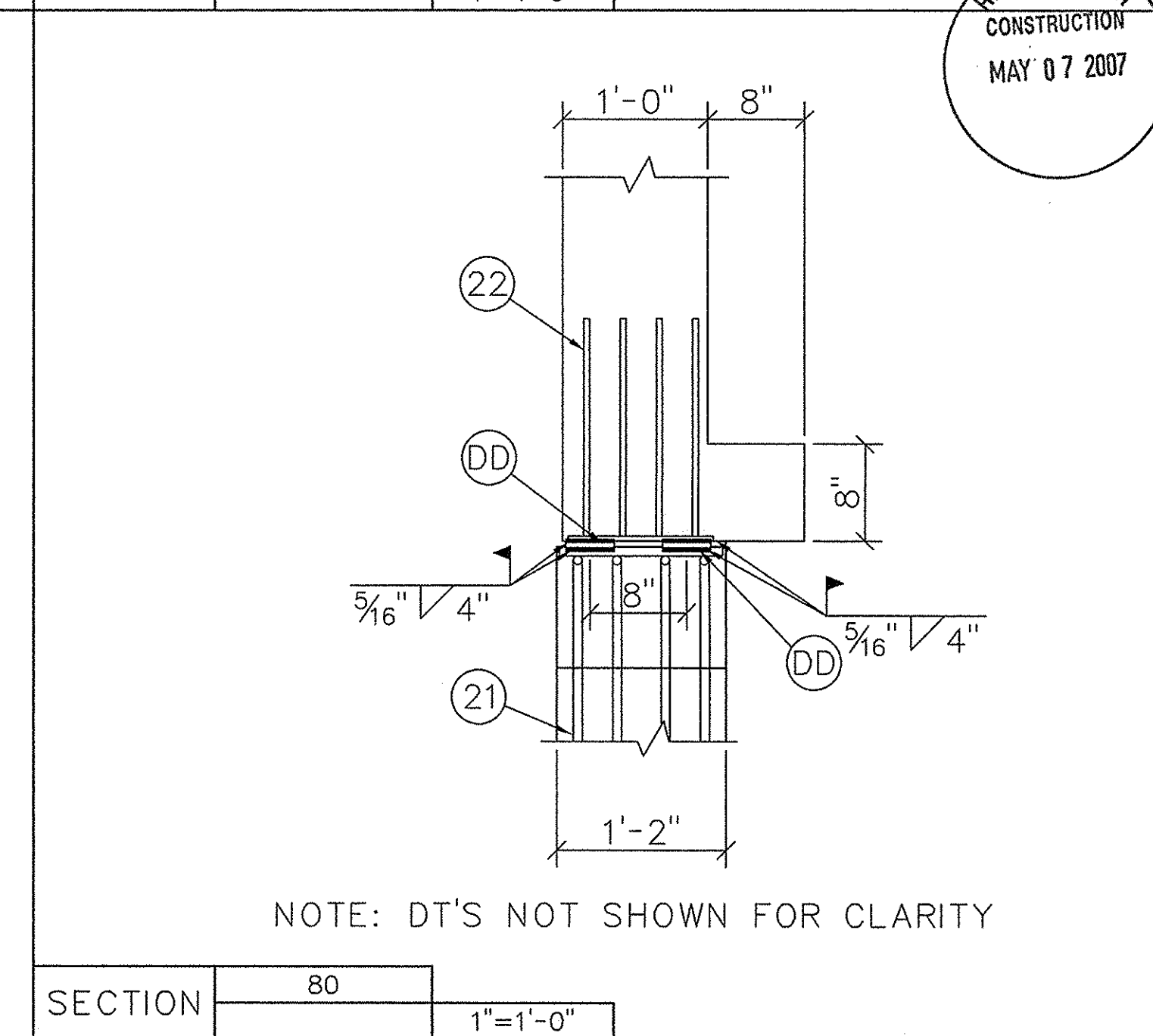
SECTION 75 1"=1'-0"



SECTION 76 1"=1'-0"



SECTION 79 1"=1'-0"



SECTION 80 1"=1'-0"

NOTE: DT'S NOT SHOWN FOR CLARITY

REVISION RECORD

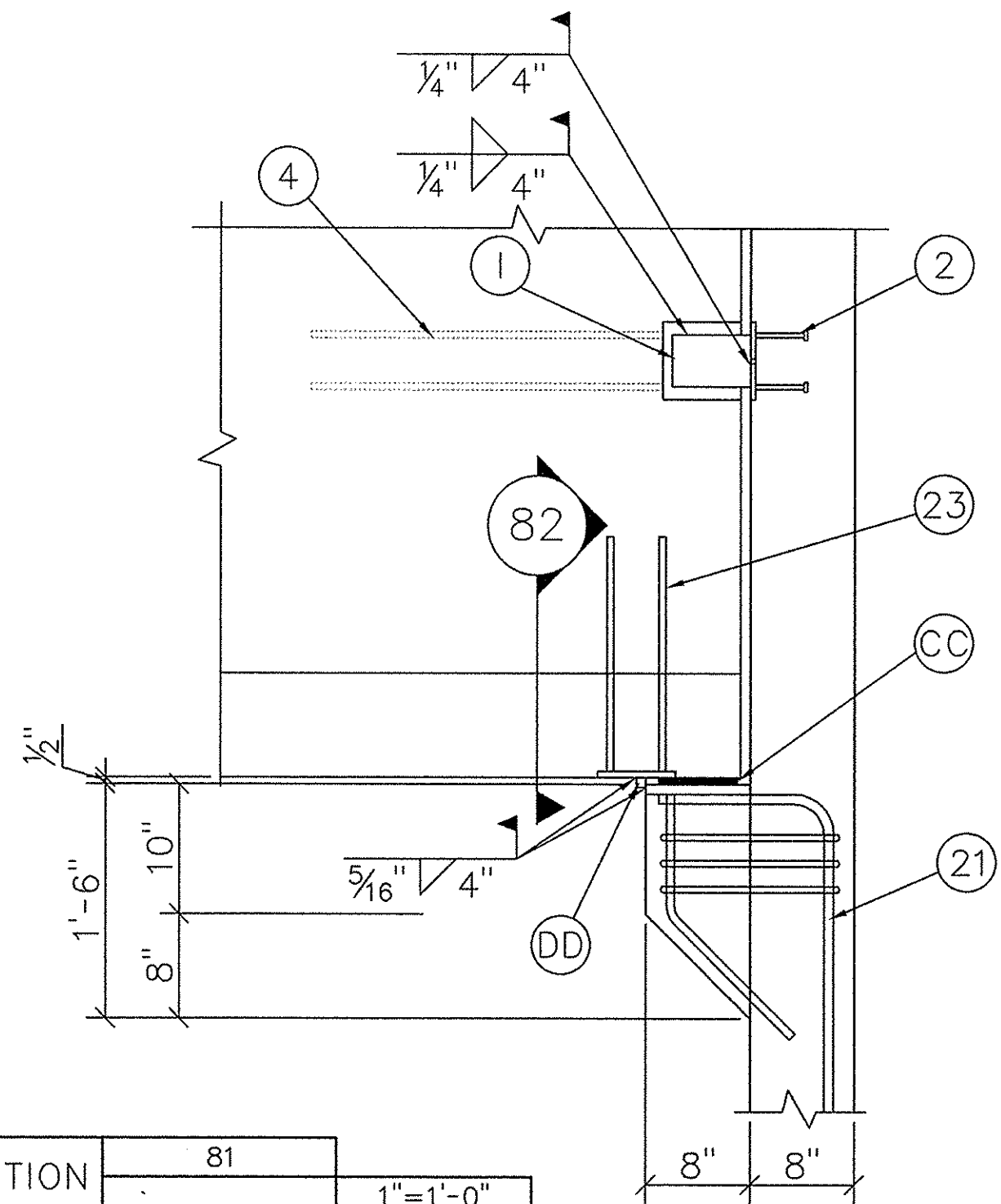
NO.	DATE	BY	REASON
1	07/15/07	PHK	SUBMITTED FOR APPROVAL
2	05/02/07	SLR	RELEASED FOR CONSTRUCTION
3			
4			
5			
6			
7			
8			

FLORENCE CONCRETE PRODUCTS, INC.
 ARCHITECTURAL & STRUCTURAL PRECAST CONCRETE
 865 INDUSTRIAL ROAD, SUMTER, SC 29150
 PHONE: (803) 775-4372 FAX: (803) 775-8569

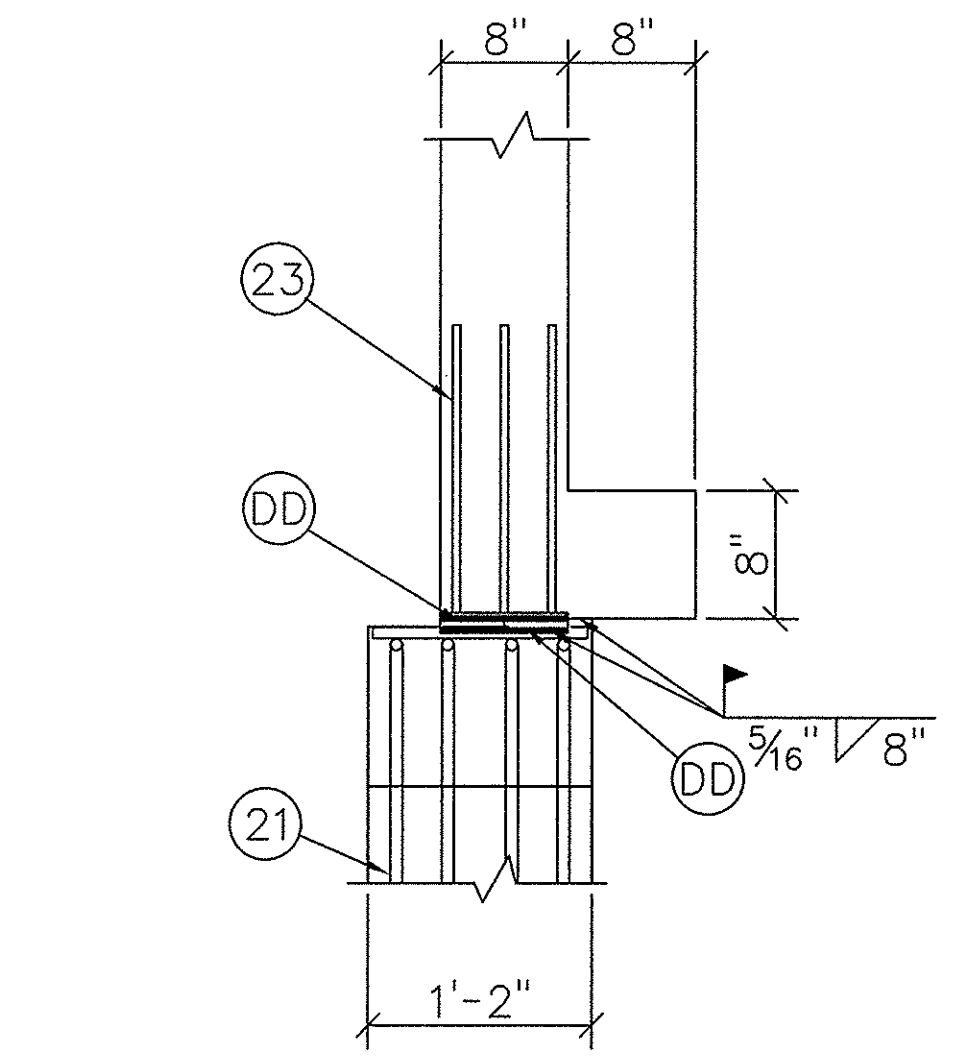
CUSTOMER: PALMETTO CONSTRUCTION GROUP
 PROJECT NAME & ADDRESS: SUMMERVILLE TOWN HALL PARKING GARAGE, SUMMERVILLE, SC
 SECTIONS AND DETAILS
 DRAWN BY: PHK
 CHECKED BY: PHK
 DATE: 01/10/07
 SCALE: 1/4"=1'-0"

RELEASED FOR CONSTRUCTION MAY 07 2007

SHEET # 26 OF 33 PROJECT # 3279
 DRAWING NUMBER: E24

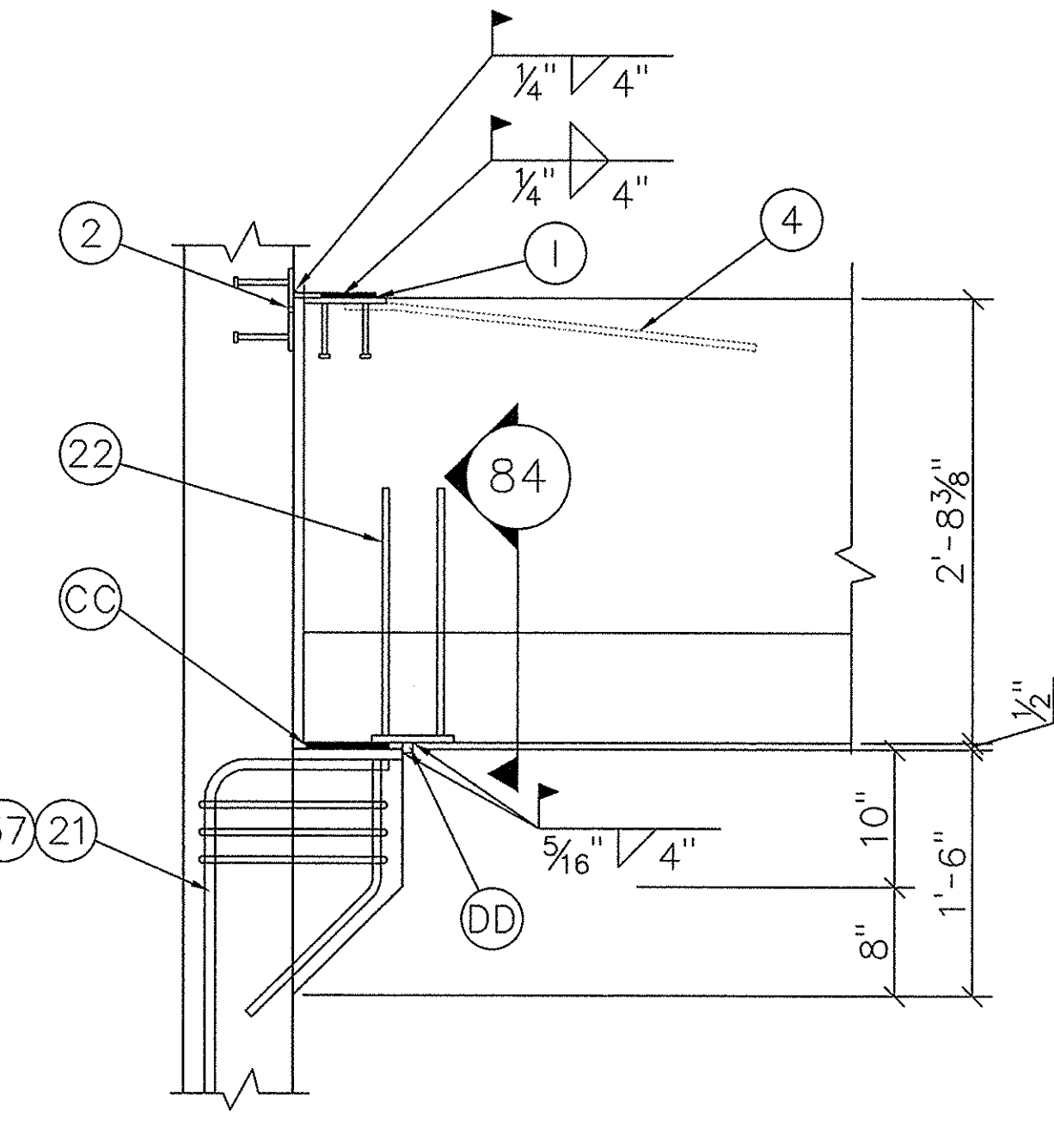


SECTION 81 1"=1'-0"

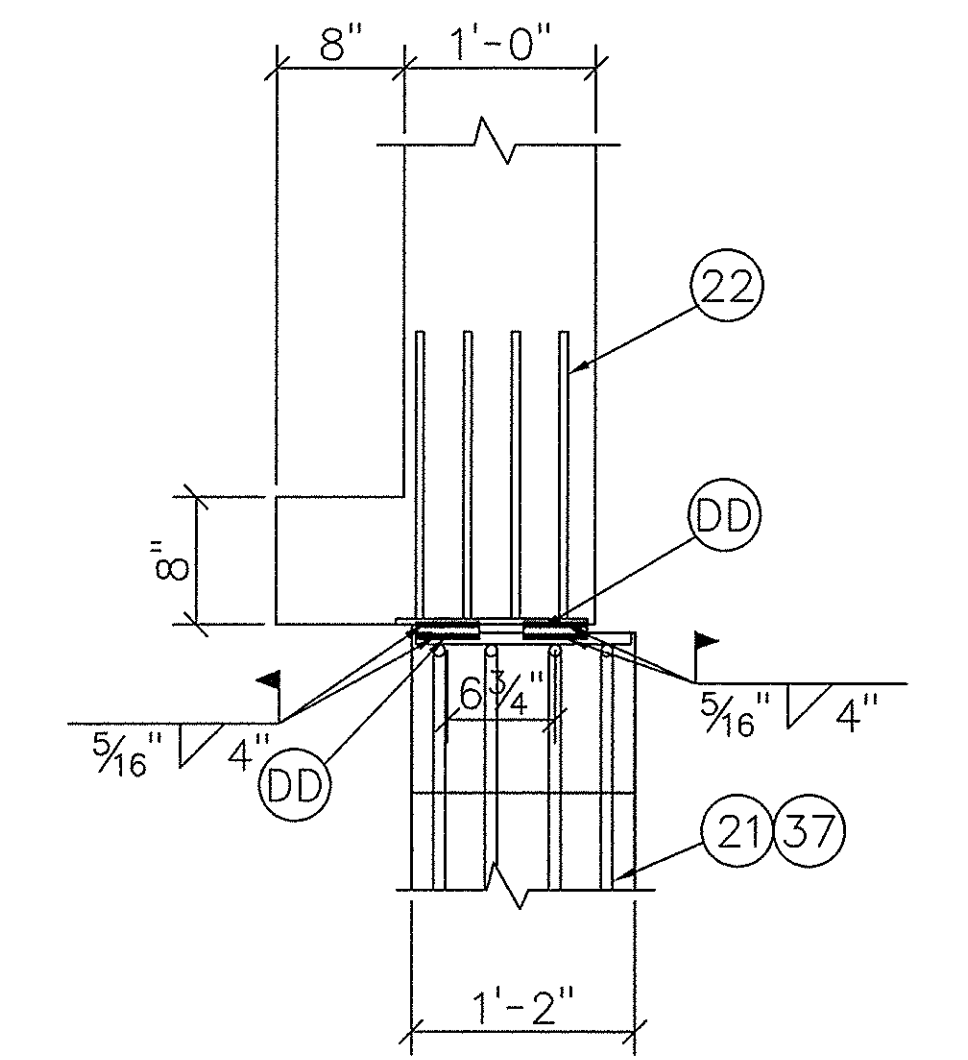


SECTION 82 1"=1'-0"

NOTE: DT'S NOT SHOWN FOR CLARITY

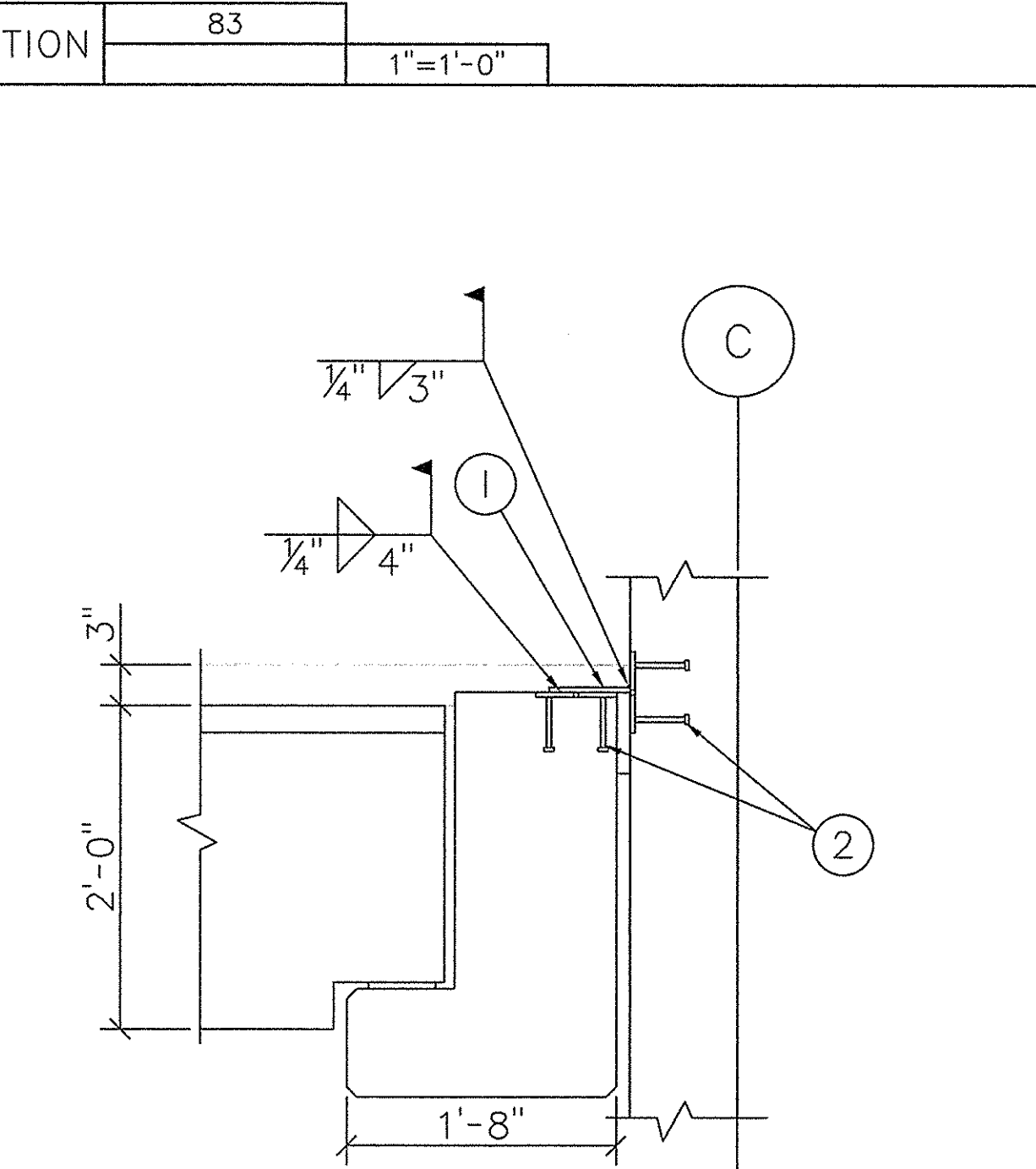


SECTION 83 1"=1'-0"

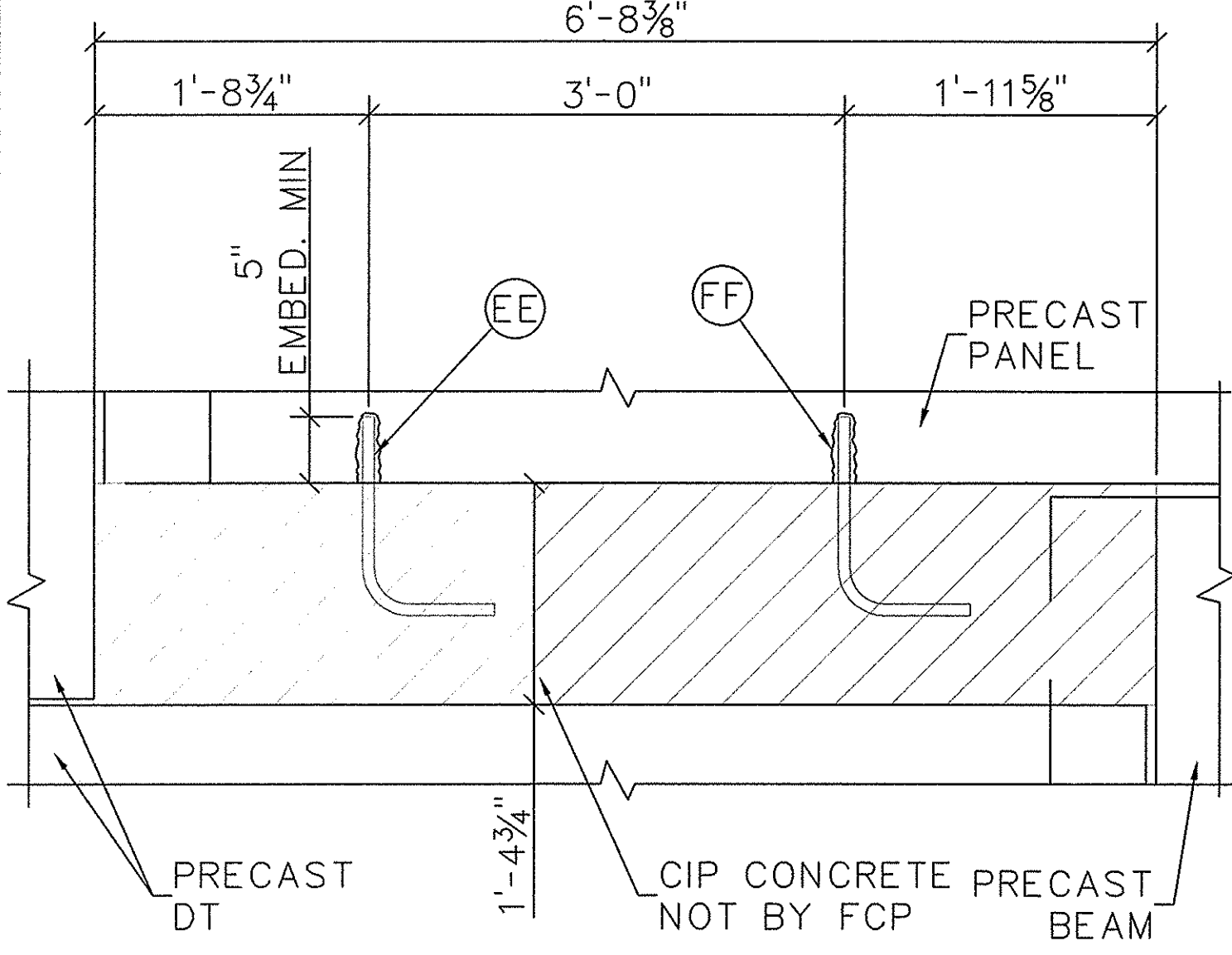


SECTION 84 1"=1'-0"

NOTE: DT'S NOT SHOWN FOR CLARITY



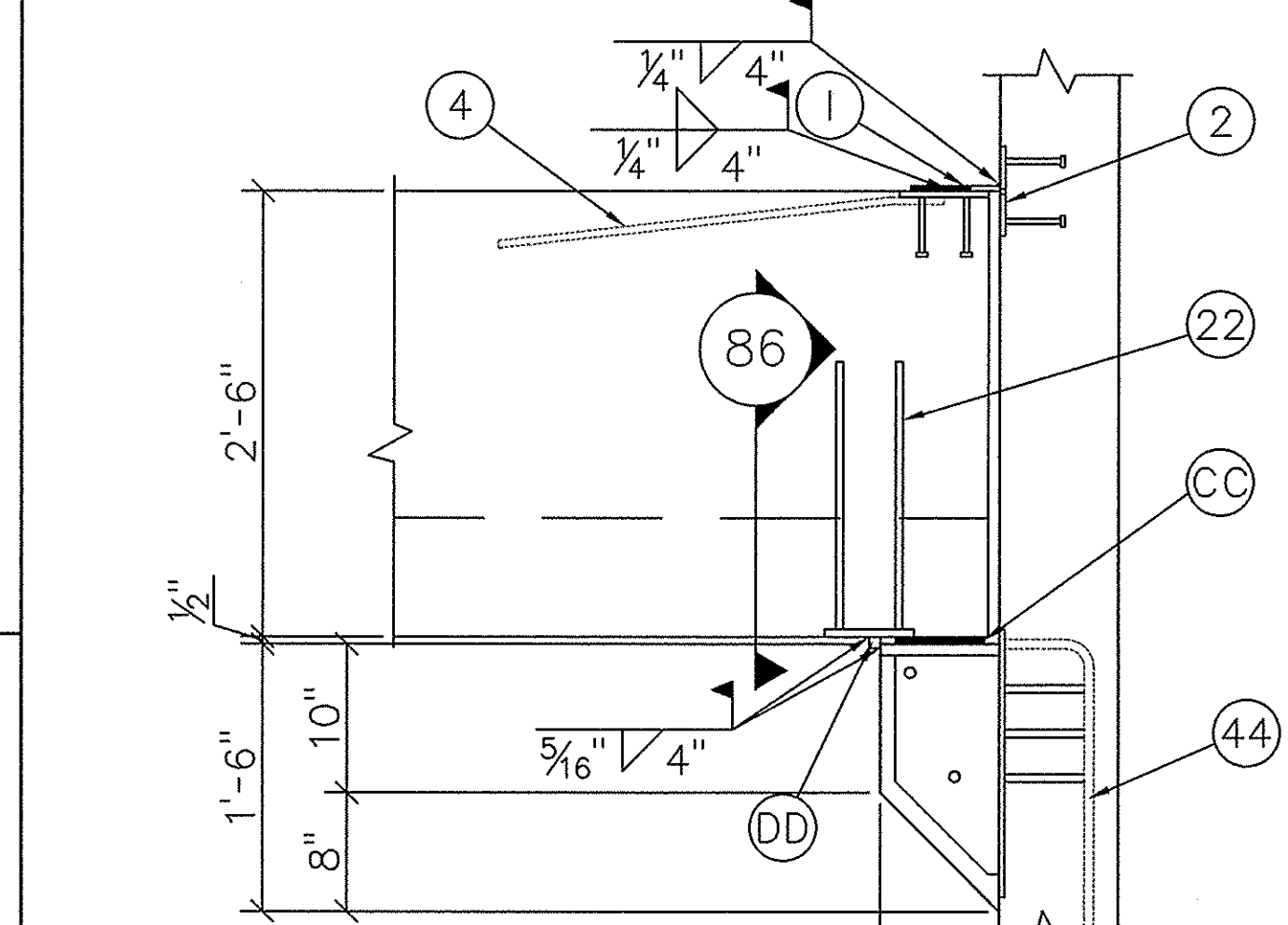
SECTION 87 1"=1'-0"



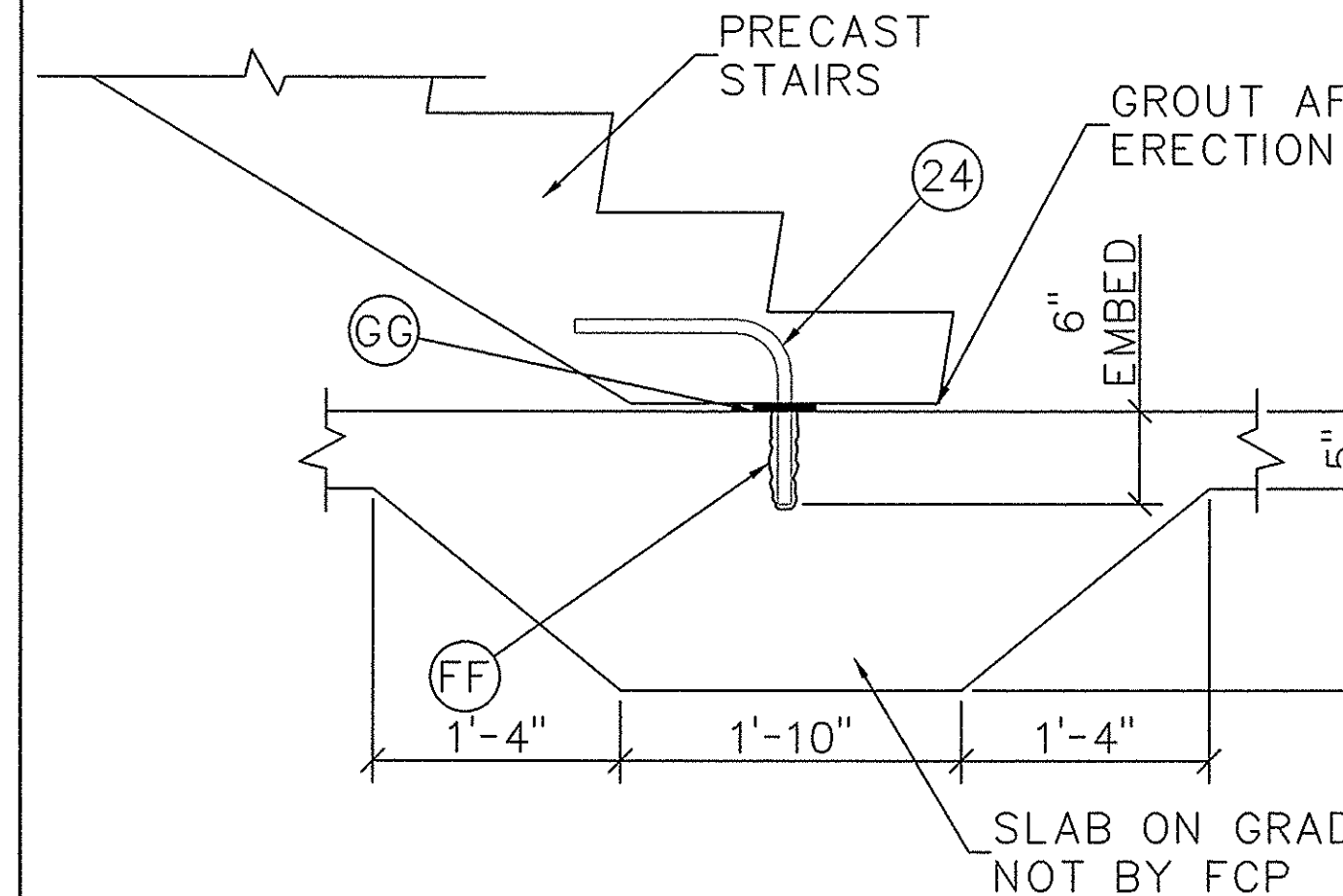
DETAIL 88 1"=1'-0"

NOTES:
 1) FORMING AND POURING CONCRETE NOT BY FCP.
 2) FCP WILL EPOXY IN #5 BENT BAR. (DRILL 7/8" HOLE)

ITEM	CAST IN MATERIAL FURNISHED BY F.C.P.	FINISH	ITEM	ERECTION MATERIAL FURNISHED BY F.C.P.	FINISH
1	MP01 PL 3/8"x6"x8" w/(4)3/8"φx4" HAS & (2)#4x1'-9"	HDC	A	ME01 A36 ANCHOR BOLT 1 1/4"φx23" w/1 1/4"HNN & PL. 1/2"x4"x4"	NONE
2	MP02 PL 3/8"x6"x6" w/(4)3/8"φx4" HAS	HDC	B	ME08 PL 3/8"x6"x6" w/(4)3/8"φx4" HAS	HDC
3	MP03 PL 1 1/4"x1'-3 7/8"x1'-11 7/8" w/(4)ANGLES 6"x6"x3/8"x6" & (8)#6x4'-0"	HDC	C	ME02A PL 1/2"x9"x1'-2" w/(4)#5x1'-3" & (4)PL 1/2"x2"x2"	HDC
4	MP04 PL 3/8"x6"x6" w/(4)3/8"φx4" HAS & (2)#4x2'-6"	HDC	D	2"x6"x6" SHIM PACK	NONE
5	MP05 ANGLE 8"x8"x1/2"x7" w/(8)3/8"φx4" HAS & (4)#5x3'-6"	SCP	E	ME02 PL 1/2"x9"x1'-2" w/(4)#5x1'-8" & (4)PL 1/2"x2"x2"	HDC
6	MP06 ANGLE 8"x8"x1/2"x7" w/(4)3/8"φx4" HAS & (4)#5x3'-6"	SCP	F	1"x4"x4" SHIM PACK	NONE
7	MP07 ANGLE 6"x6"x1/2"x7" w/(8)3/8"φx4" HAS & (4)#5x3'-6"	SCP	G	ME03 PL 1/2"x9"x1'-2" w/(4)#5x2'-6"	HDC
8	MP29 ADD ON CORBEL ASSEMBLY w/MP08 & MP09	HDC	H	PL 1/2"x5"x7"	SCP
9	MP29A ADD ON CORBEL ASSEMBLY w/MP08A & MP09A	HDC	I	PL 3/8"x4"x6"	HDC
10	MP10 PL 3/8"x6"x7 1/4" w/(1)1/2"φx12" DBA & (1)#7x6'-0"	HDC	J	PL 3/8"x4"x8"	HDC
11	MP11 PL 3/8"x6"x8 1/4" w/(1)1/2"φx12" DBA & (1)#7x6'-0"	HDC	K	3/8"x4"xCONT. MASTICORD BEARING PAD	NONE
12	MP12 PL 3/8"x6"x7 1/4" w/(1)1/2"φx10" DBA & (1)#7x6'-0"	HDC	L	PL 1/2"x4 1/2"x7"	HDC
13	MP13 PL 3/8"x6"x6" w/(4)1/4"φx1" HAS & (2)#4x2'-0"	HDC	M	ME08 1/4"x2"x2" PLATE WASHER w/ 7/8" HOLE	SCP
14	MP14 PL 1/2"x7"x8" w/(4)1/2"φx6" HAS & (2)#5x3'-0"	HDC	N	1/2"x5"xCONT. KOROLATH BEARING PAD	NONE
15	MP15 PL 1/2"x6"x6" w/(2)1/2"φx12" DBA & (2)#5x3'-0"	HDC	O	PL 3/8"x4"x12"	HDC
16	MP30 C6x8.2 CHANNEL FRAME w/1/2"φx6" HAS STAGGERED @ 0'-4" O/C	HDC	P		
17	JVI MINI-V	SS	Q	2"φ PIPE (2 3/8" OD)x6"	SCP
18	JVI VECTOR CONNECTOR	SS	R	3/8"x3/8"x5" SQUARE BAR A304	SS
19	MP16 PL 1/2"x6"x6" w/(2)1/2"φx7" DBA & (2)#5x3'-0"	HDC	S	ANGLE 6"x6"x1/2"xCONT.	HDC
20	MP17 PL 3/8"x6"x8" w/(4)3/8"φx4" HAS	HDC	T	1/2"x5"x5" MASTICORD BEARING PAD	NONE
21	MP18 PL 3/4"x1'-1 1/2"x8" w/(4)#6x4'-6" & (4)#5x1'-10"	HDC	U	3/8"x3/8"x4" SQUARE BAR A304	SS
22	MP19 PL 3/8"x6"x1'-0" w/(8)1/2"φx18" DBA	HDC	V	1"x1"x4" SQUARE BAR A36	HDC
23	MP20 PL 3/8"x6"x8" w/(6)1/2"φx18" DBA	HDC	W	ANGLE 4"x6"x3/8"x4"	HDC
24	#7 BENT BAR	NONE	X		
25	1 1/2"x5" PVC SLEEVE	NONE	Y	HILTI HAS-E 3/4"φx10 (ITEM# 333201)	NONE
26	MP21 PL. 1/2"x6"x6" w/(4)1/2"φx5" HAS & 3/4"φ DR B25 COIL NUT	HDC	Z	ANGLE 1/4"x4"x4"	NONE
27	MP27 ADD ON CORBEL ASSEMBLY w/MP22 & MP24	HDC			
28	MP27A ADD ON CORBEL ASSEMBLY w/MP23 & MP24	HDC	BB	1/2"x4"x4" MASTICORD BEARING PAD	NONE
29	DAYTON SUPERIOR B16 3/4"φx4" COIL LOOP INSERT w/T21 PLASTIC PLUG	NONE	CC	1/2"x6"x10" MASTICORD BEARING PAD	NONE
30	4"x6" PLASTIC DT BLOCKOUT	NONE	DD	3/4"x3/4"x4" SQUARE BAR A36	HDC
31	1"φx6" PVC	NONE	EE	#5 BENT BAR x 1'-3"	NONE
32	MP28 3/8"x5 1/2"x8 1/4" w/(1)1/2"φx12" DBA & (1)#7x6'-0"	HDC	FF	HILTI HY150 EPOXY	NONE
33	MP25 PLUG IN HAUNCH ASSEMBLY w/MP26	NONE	GG	1/2"x4"x4" SHIM PACK	NONE
34	MP25A PLUG IN HAUNCH ASSEMBLY w/MP26A	NONE	HH	3/4"φx7" LG HILTI KWIK BOLT III	NONE
35	MP25B PLUG IN HAUNCH ASSEMBLY w/MP26B	NONE	II	D/R B-5 HEAVY DUTY LONG PIPE BRACEx38"-4"	NONE
36	3"φx8" LONG METAL SLEEVE	NONE	JJ	D/R T-16 1 1/2"φ PIPE KNEE BRACEx10'-6"	NONE
37	MP18A PL 3/4"x1'-1 1/2"x8" w/(4)#7x4'-6" & (4)#5x1'-10 3/4"	HDC	KK	ME05 1/4"x3"x3" PLATE WASHER w/ 7/8" HOLE	SCP
38	MP31 PL 1/2"x1'-0"x8 1/4" w/(3)#7x4'-6" & (3)1/2"φx1'-0" DBA	HDC	LL	D/R T-17 SWIVEL COUPLER	NONE
39	MP32 ANGLE 4"x2"x1/4"x8" w/(2)1/2"φx18" DBA & (2)1/4"φx1" HAS	HDC	MM	ME06 1/2"x4"x4" w/1"φ MASTICORD PAD	NONE
40	MP27B ADD ON CORBEL ASSEMBLY w/MP37 & MP24	HDC	NN	ME07 PL. 1/2"x4"x4" w/7/8"φ HOLE	HDC
41	MP35 PL. 3/8"x6"x12" w/(5)3/8"φx3" HAS & #7x6'-0"	HDC	OO	D/R 3/4"φ B25 COIL NUT	NONE
42	MP36 PL. 1/2"x6"x14" w/(6)3/8"φx4" HAS	HDC	PP	3/4"φx9 1/2" COIL ROD	NONE
43	MP03A PL. 1 3/4"x1'-3 7/8"x1'-11 1/2" w/(4)ANGLES 6"x6"x3/8"x6" w/(8)#6x4'-0"	HDC	QQ	BENT PL 1/4"xVARIESxCONT	HDC
44	MP27C ADD ON CORBEL ASSEMBLY w/MP22A & MP24A	HDC	RR	PL 3/8"x4"xCONT	HDC

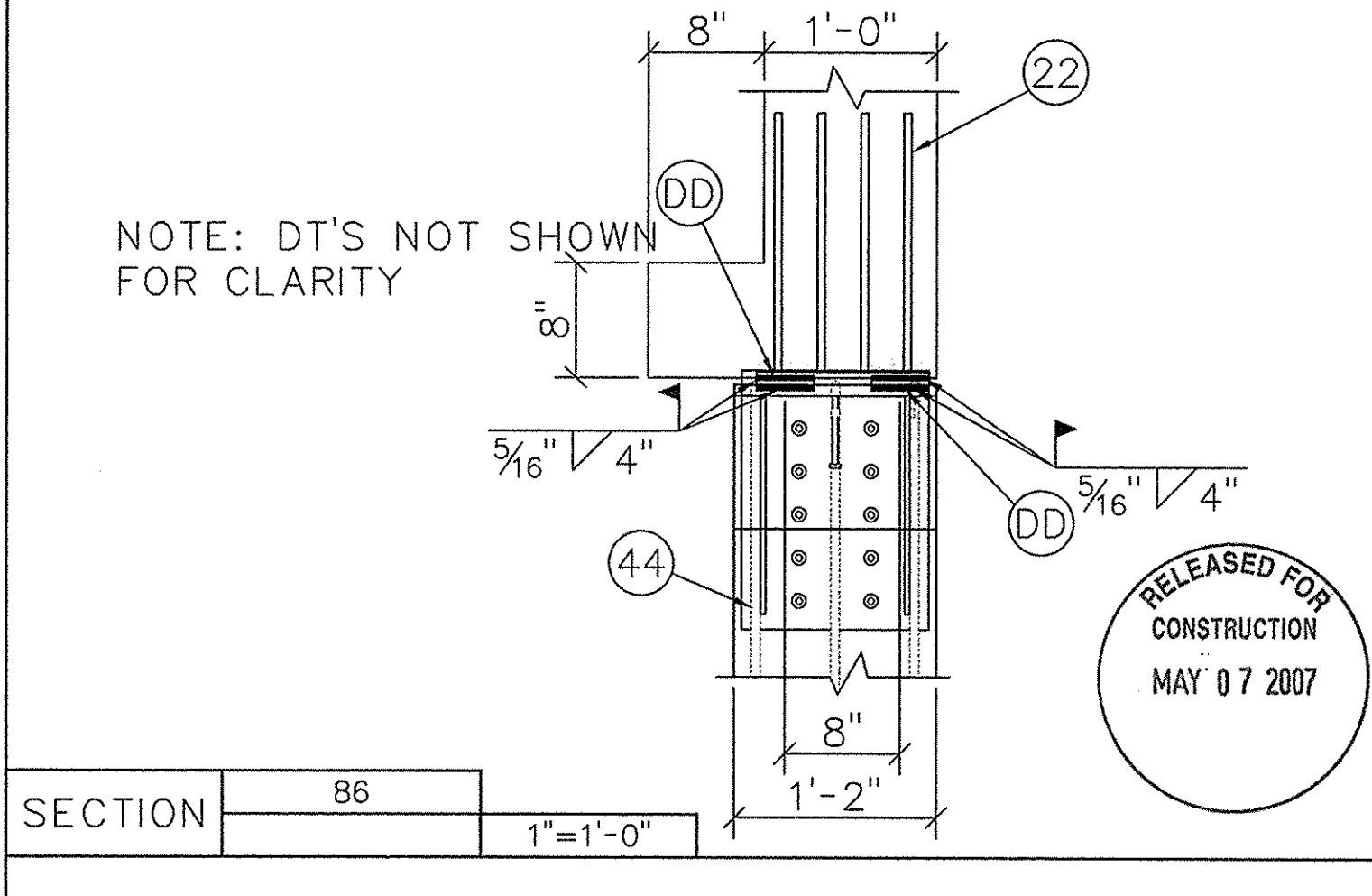


SECTION 85 1"=1'-0"

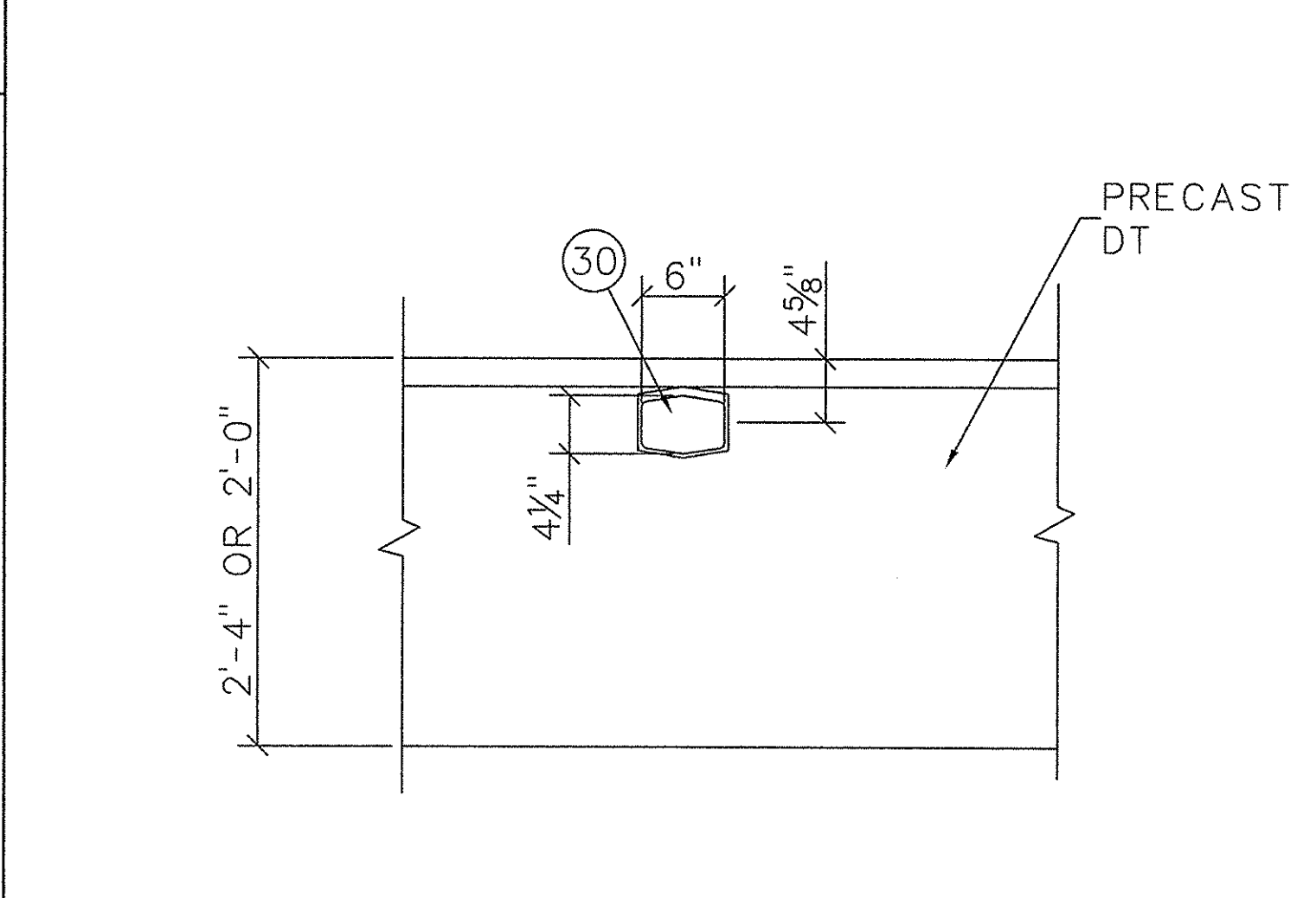


SECTION 89 1"=1'-0"

NOTE: DRILL 1 1/8" HOLE FOR BENT BAR.



SECTION 86 1"=1'-0"



SECTION 90 1"=1'-0"

NOTE: DT'S NOT SHOWN FOR CLARITY

RELEASED FOR CONSTRUCTION MAY 07 2007

FLORENCE CONCRETE PRODUCTS, INC.
 ARCHITECTURAL & STRUCTURAL PRECAST CONCRETE

865 INDUSTRIAL ROAD, SUMTER, SC 29150
 PHONE: (803) 775-4372 FAX: (803) 775-8569

RELEASING ENGINEER: [Signature]

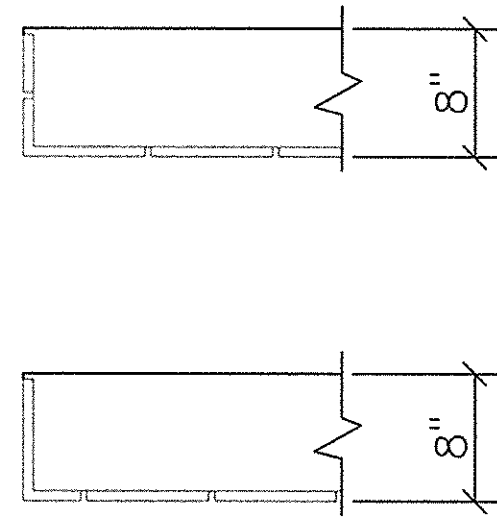
NO. 2412

THE ENGINEERING SOCIETY OF SOUTH CAROLINA

CUSTOMER: PALMETTO CONSTRUCTION GROUP
 PROJECT NAME & ADDRESS: SUMMERVILLE TOWN HALL PARKING GARAGE, SUMMERVILLE, SC
 SECTIONS AND DETAILS: PHK
 DRAWN BY: PHK
 CHECKED BY: PHK
 DATE: 01/10/07
 SCALE:

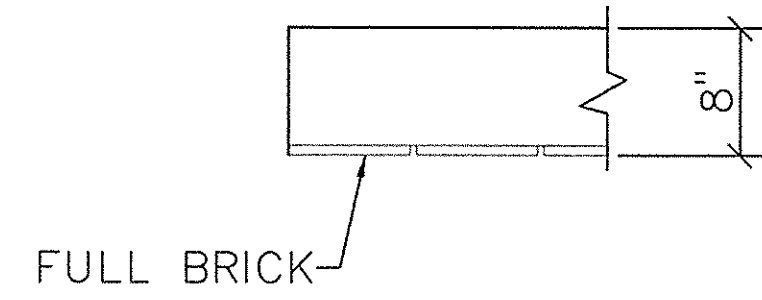
SHEET #: 27 of 33 PROJECT #: 3279
 DRAWING NUMBER: E25

TYPICAL BRICKED CORNER AT EXPOSED PANEL CORNERS & FOR ALL WINDOW OPENINGS

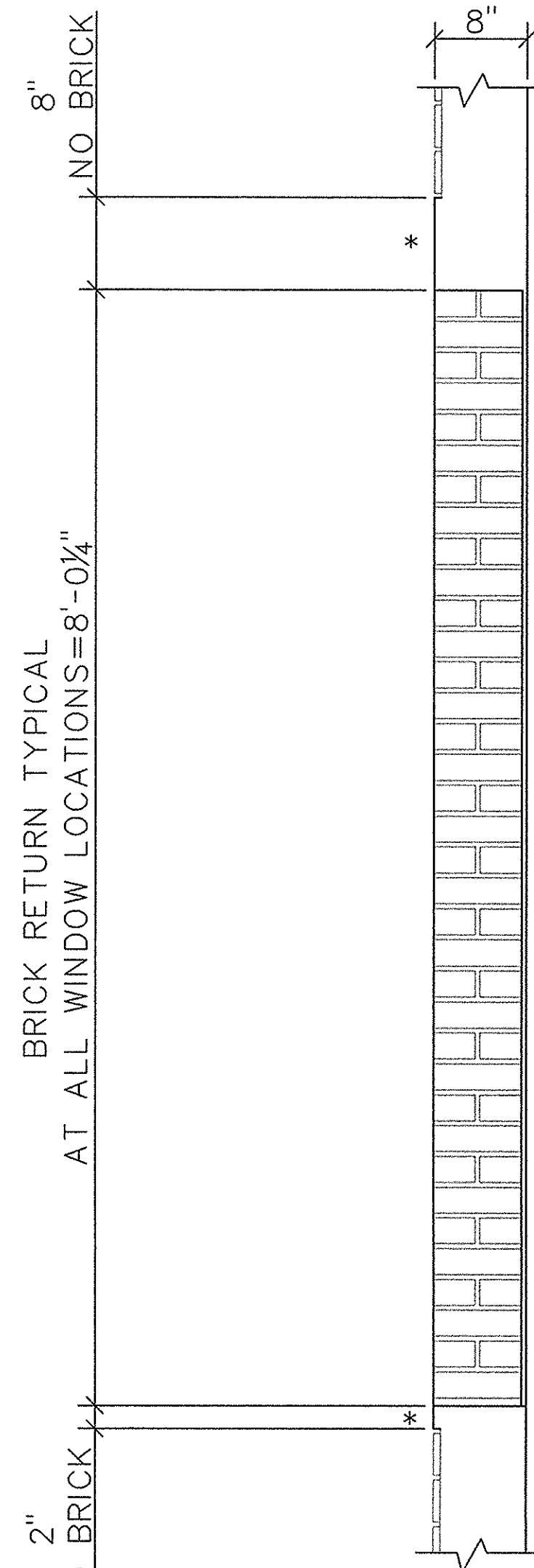


SECTION 91 1"=1'-0"

TYPICAL NON-BRICKED CORNER

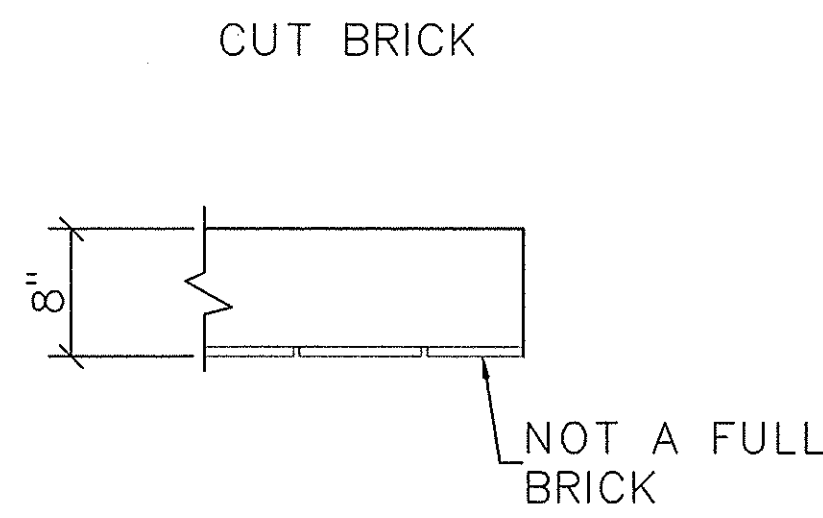


SECTION 93 1"=1'-0"

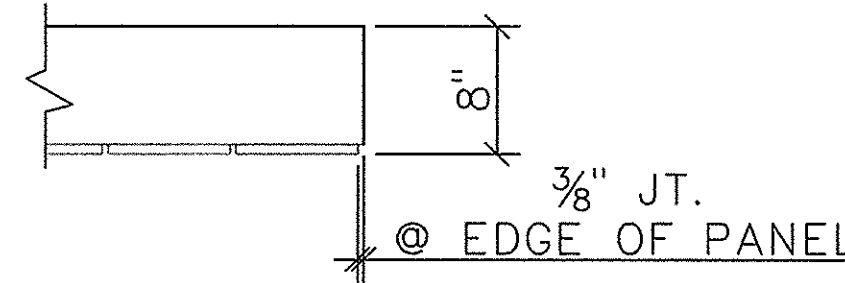


*-EXTERIOR FORM FINISH

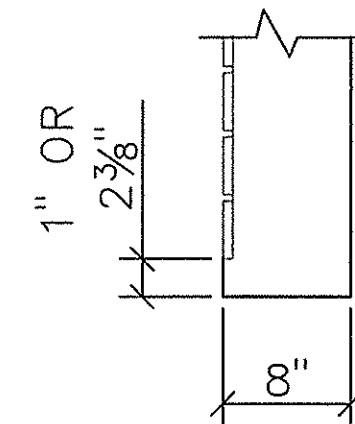
SECTION 97 1"=1'-0"



SECTION 92 1"=1'-0"



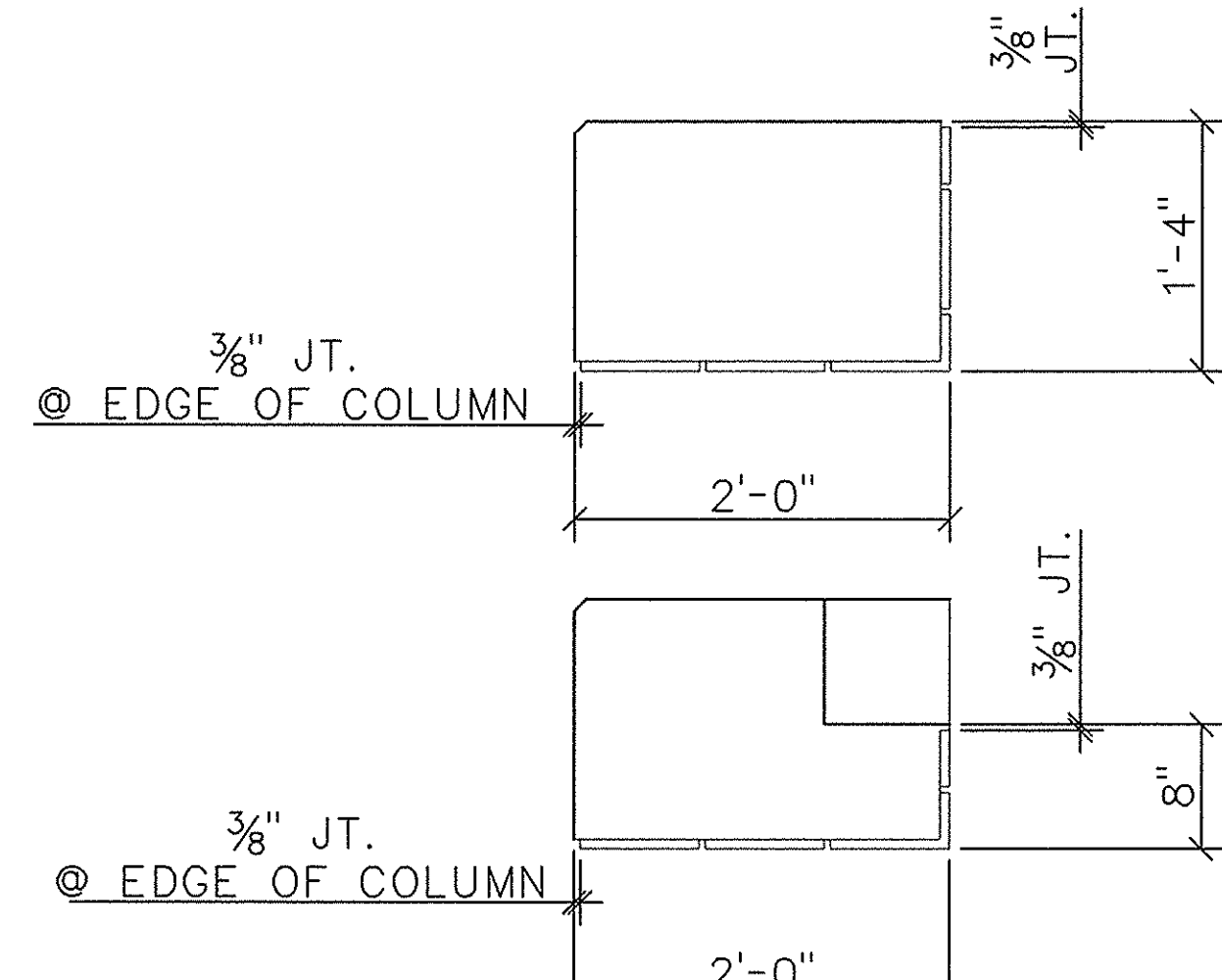
SECTION 94 1"=1'-0"



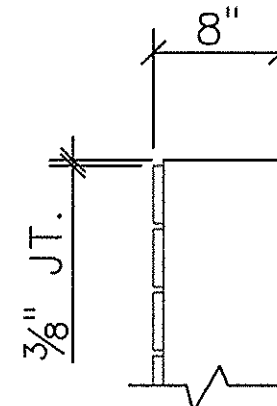
SECTION 98 1"=1'-0"

ITEM	CAST IN MATERIAL FURNISHED BY F.C.P.	FINISH	ITEM	ERECTION MATERIAL FURNISHED BY F.C.P.	FINISH
1	MP01 PL 3/8"x6"x8" w/(4)3/8"x4" HAS & (2)#4x1'-9"	HDG	A	ME01 A36 ANCHOR BOLT 1 1/4"x23"w/1 1/4"HNN & PL. 1/2"x4"x4"	NONE
2	MP02 PL 3/8"x6"x6" w/(4)3/8"x4" HAS	HDG	B	ME08 PL 3/8"x6"x6" w/(4)3/8"x4" HAS	HDG
3	MP03 PL 1 1/4"x1'-3 7/8"x1'-11 7/8" w/(4)ANGLES 6"x6"x3/8"x6" & (8)#6x4'-0"	HDG	C	ME02A PL 1/2"x9"x1'-2" w/(4)#5x1'-3" & (4)PL 1/2"x2"x2"	HDG
4	MP04 PL 3/8"x6"x6" w/(4)3/8"x4" HAS & (2)#4x2'-6"	HDG	D	2"x6"x6" SHIM PACK	NONE
5	MP05 ANGLE 8"x8"x1/2"x7" w/(8)3/8"x4" HAS & (4)#5x3'-6"	SCP	E	ME02 PL 1/2"x9"x1'-2" w/(4)#5x1'-8" & (4)PL 1/2"x2"x2"	HDG
6	MP06 ANGLE 8"x8"x1/2"x7" w/(4)3/8"x4" HAS & (4)#5x3'-6"	SCP	F	1"x4"x4" SHIM PACK	NONE
7	MP07 ANGLE 6"x6"x1/2"x7" w/(8)3/8"x4" HAS & (4)#5x3'-6"	SCP	G	ME03 PL 1/2"x9"x1'-2" w/(4)#5x2'-6"	HDG
8	MP29 ADD ON CORBEL ASSEMBLY w/MP08 & MP09	HDG	H	PL 1/2"x5"x7"	SCP
9	MP29A ADD ON CORBEL ASSEMBLY w/MP08A & MP09A	HDG	I	PL 3/8"x4"x6"	HDG
10	MP10 PL 3/8"x6"x7 1/4" w/(1)1/2"x12" DBA & (1)#7x6'-0"	HDG	J	PL 3/8"x4"x8"	HDG
11	MP11 PL 3/8"x6"x8 1/4" w/(1)1/2"x12" DBA & (1)#7x6'-0"	HDG	K	3/8"x4"xCONT. MASTICORD BEARING PAD	NONE
12	MP12 PL 3/8"x6"x7 1/4" w/(1)1/2"x10" DBA & (1)#7x6'-0"	HDG	L	PL 1/2"x4 1/2"x7"	HDG
13	MP13 PL 3/8"x6"x6" w/(4)1/4"x1" HAS & (2)#4x2'-0"	HDG	M	ME08 1/4"x2"x2" PLATE WASHER w/ 7/8" HOLE	SCP
14	MP14 PL 1/2"x7"x8" w/(4)1/2"x6" HAS & (2)#5x3'-0"	HDG	N	1/2"x5"xCONT. KOROLATH BEARING PAD	NONE
15	MP15 PL 1/2"x6"x6" w/(2)1/2"x12" DBA & (2)#5x3'-0"	HDG	O	PL 3/8"x4"x12"	HDG
16	MP30 C6x8.2 CHANNEL FRAME w/1/2"x6" HAS STAGGERED @ 0'-4" O/C	HDG	P		
17	JVI MINI-V	SS	Q	2" PIPE (2 3/8" OD)x6"	SCP
18	JVI VECTOR CONNECTOR	SS	R	3/8"x3/8"x5" SQUARE BAR A304	SS
19	MP16 PL 1/2"x6"x6" w/(2)1/2"x7" DBA & (2)#5x3'-0"	HDG	S	ANGLE 6"x6"x1/2"xCONT.	HDG
20	MP17 PL 3/8"x6"x8" w/(4)3/8"x4" HAS	HDG	T	1/2"x5"x5" MASTICORD BEARING PAD	NONE
21	MP18 PL 3/4"x1'-1 1/2"x8" w/(4)#6x4'-6" & (4)#5x1'-10"	HDG	U	3/8"x3/8"x4" SQUARE BAR A304	SS
22	MP19 PL 3/8"x6"x1'-0" w/(8)1/2"x18" DBA	HDG	V	1"x1"x4" SQUARE BAR A36	HDG
23	MP20 PL 3/8"x6"x8" w/(6)1/2"x18" DBA	HDG	W	ANGLE 4"x6"x3/8"x4"	HDG
24	#7 BENT BAR	NONE	X		
25	1 1/2"x5" PVC SLEEVE	NONE	Y	HILTI HAS-E 3/4"x10 (ITEM# 333201)	NONE
26	MP21 PL. 1/2"x6"x6" w/(4)1/2"x5" HAS & 3/4" DR B25 COIL NUT	HDG	Z	ANGLE 1/4"x4"x4"	NONE
27	MP27 ADD ON CORBEL ASSEMBLY w/MP22 & MP24	HDG			
28	MP27A ADD ON CORBEL ASSEMBLY w/MP23 & MP24	HDG	BB	1/2"x4"x4" MASTICORD BEARING PAD	NONE
29	DAYTON SUPERIOR B16 3/4"x4" COIL LOOP INSERT w/T21 PLASTIC PLUG	NONE	CC	1/2"x6"x10" MASTICORD BEARING PAD	NONE
30	4"x6" PLASTIC DT BLOCKOUT	NONE	DD	3/4"x3/4"x4" SQUARE BAR A36	HDG
31	1" x6" PVC	NONE	EE	#5 BENT BAR x 1'-3"	NONE
32	MP28 3/8"x5 1/2"x8 1/4" w/(1)1/2"x12" DBA & (1)#7x6'-0"	HDG	FF	HILTI HY150 EPOXY	NONE
33	MP25 PLUG IN HAUNCH ASSEMBLY w/MP26	NONE	GG	1/2"x4"x4" SHIM PACK	NONE
34	MP25A PLUG IN HAUNCH ASSEMBLY w/MP26A	NONE	HH	3/4"x7" LG HILTI KWIK BOLT III	NONE
35	MP25B PLUG IN HAUNCH ASSEMBLY w/MP26B	NONE	II	D/R B-5 HEAVY DUTY LONG PIPE BRACEx38'-4"	NONE
36	3" x8" LONG METAL SLEEVE	NONE	JJ	D/R T-16 1 1/2" PIPE KNEE BRACEx10'-6"	NONE
37	MP18A PL 3/4"x1'-1 1/2"x8" w/(4)#7x4'-6" & (4)#5x1'-10 3/4"	HDG	KK	ME05 1/4"x3"x3" PLATE WASHER w/ 7/8" HOLE	SCP
38	MP31 PL 1/2"x1'-0"x8 1/4" w/(3)#7x4'-6" & (3)1/2"x1'-0" DBA	HDG	LL	D/R T-17 SWIVEL COUPLER	NONE
39	MP32 ANGLE 4"x2"x1/4"x8" w/(2)1/2"x18" DBA & (2)1/4"x1" HAS	HDG	MM	ME06 1/2"x4"x4" w/1" MASTICORD PAD	NONE
40	MP27B ADD ON CORBEL ASSEMBLY w/MP37 & MP24	HDG	NN	ME07 PL. 1/2"x4"x4" w/7/8" HOLE	HDG
41	MP35 PL. 3/8"x6"x12" w/(5)3/8"x3" HAS & #7x6'-0"	HDG	OO	D/R 3/4" B25 COIL NUT	NONE
42	MP36 PL. 1/2"x6"x14" w/(6)3/8"x4" HAS	HDG	PP	3/4"x9 1/2" COIL ROD	NONE
43	MP03A PL. 1 3/4"x1'-3 7/8"x1'-11 1/2" w/(4)ANGLES 6"x6"x3/8"x6" w/(8)#6x4'-0"	HDG	QQ	BENT PL. 1/4"xVARIESxCONT	HDG
44	MP27C ADD ON CORBEL ASSEMBLY w/MP22A & MP24A	HDG	RR	PL 3/8"x4"xCONT	HDG

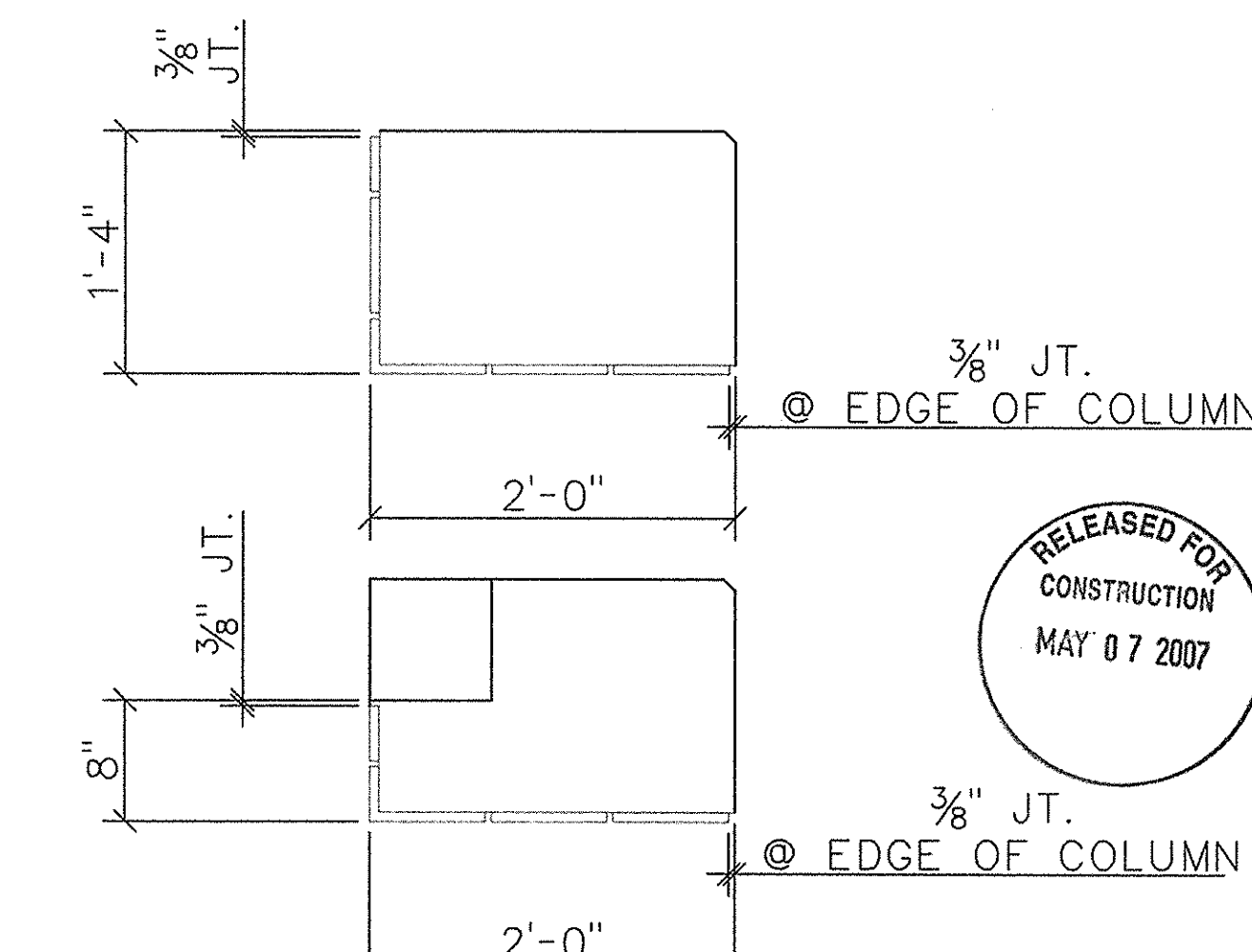
SECTION 95 1"=1'-0"



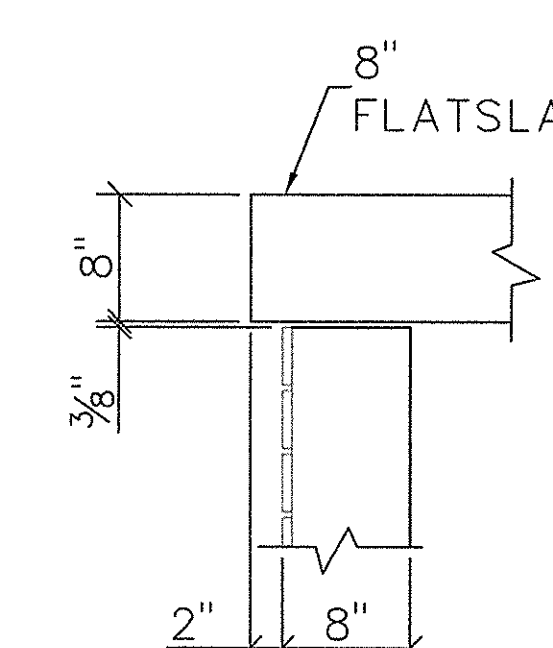
SECTION 99 1"=1'-0"



SECTION 96 1"=1'-0"



SECTION 100 1"=1'-0"



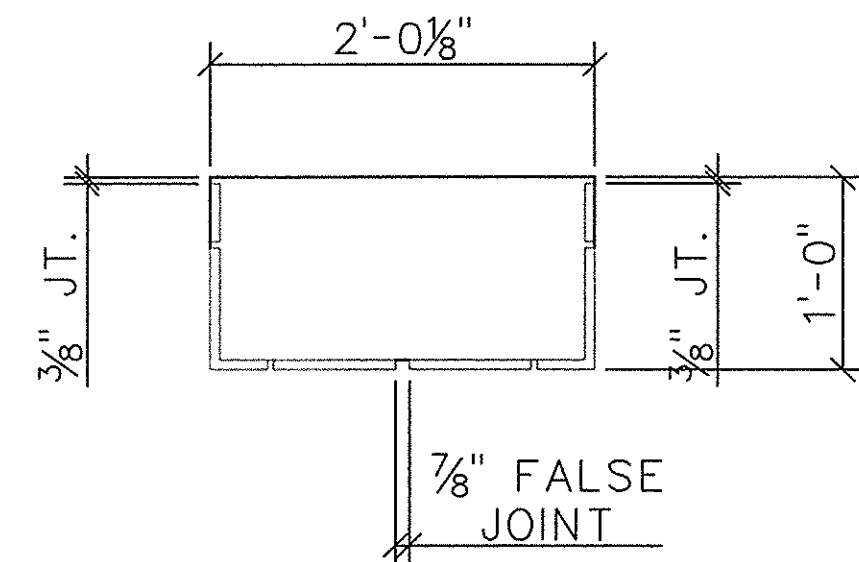
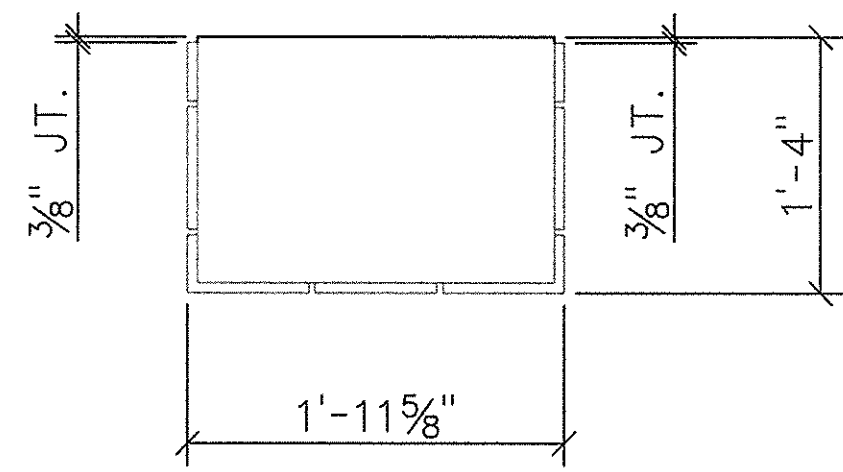
REVISION RECORD

NO.	DATE	DESCRIPTION
1	01/15/07	SUBMITTED FOR APPROVAL
2	05/02/07	RELEASED FOR CONSTRUCTION
3		
4		
5		
6		
7		
8		

FLORENCE CONCRETE PRODUCTS, INC.
 ARCHITECTURAL & STRUCTURAL PRECAST CONCRETE
 865 INDUSTRIAL ROAD, SUMTER, SC 29150
 PHONE: (803) 775-4372 FAX: (803) 775-8569

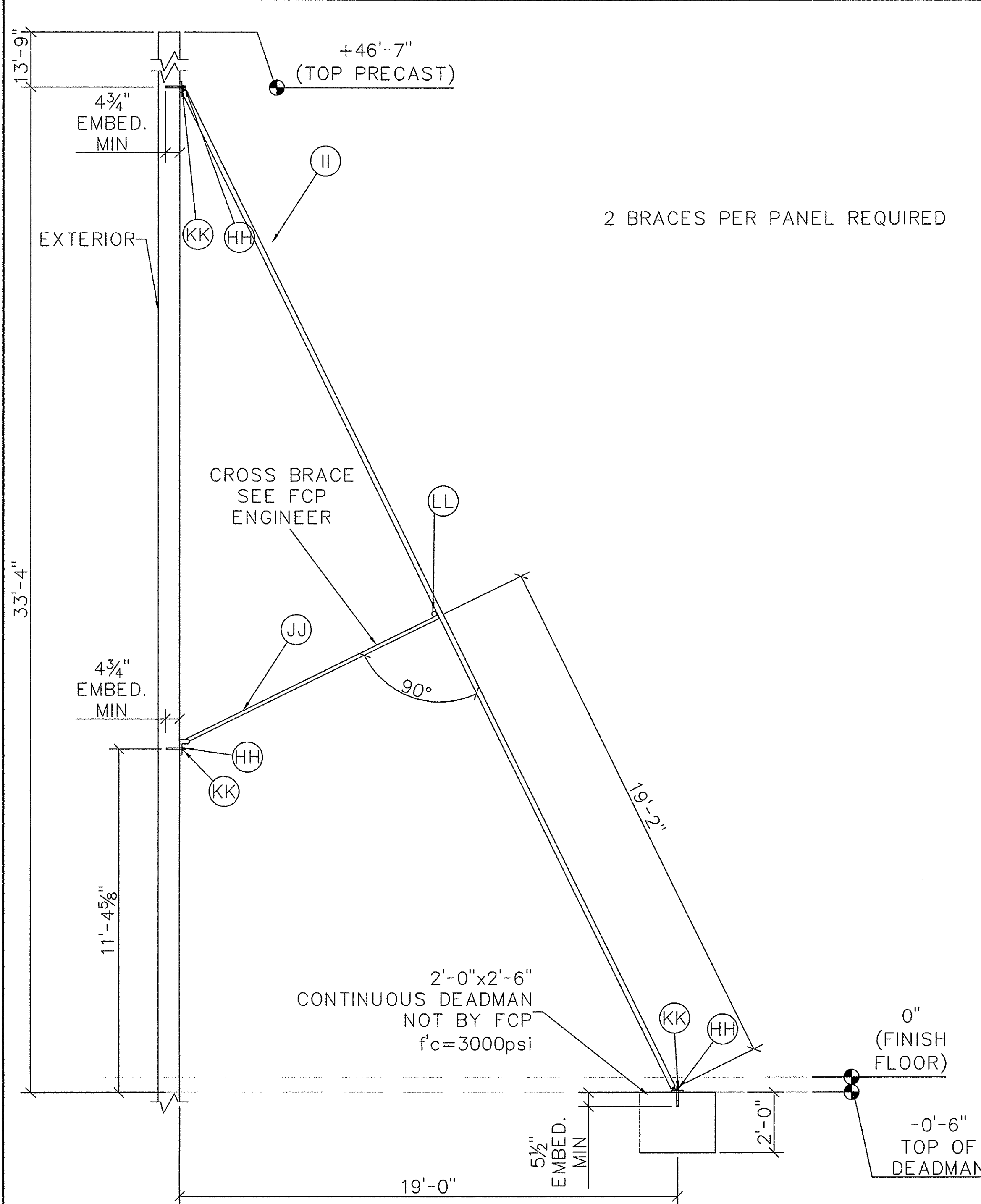
CUSTOMER: PALMETTO CONSTRUCTION GROUP
 PROJECT NAME & ADDRESS: SUMMERVILLE TOWN HALL PARKING GARAGE, SUMMERVILLE, SC
 SHEET #: 28 of 33 PROJECT #: 3279
 DRAWING NUMBER: E26

SCALE: 01/10/07
 CHECKED BY: PHK
 DRAWN BY: PHK

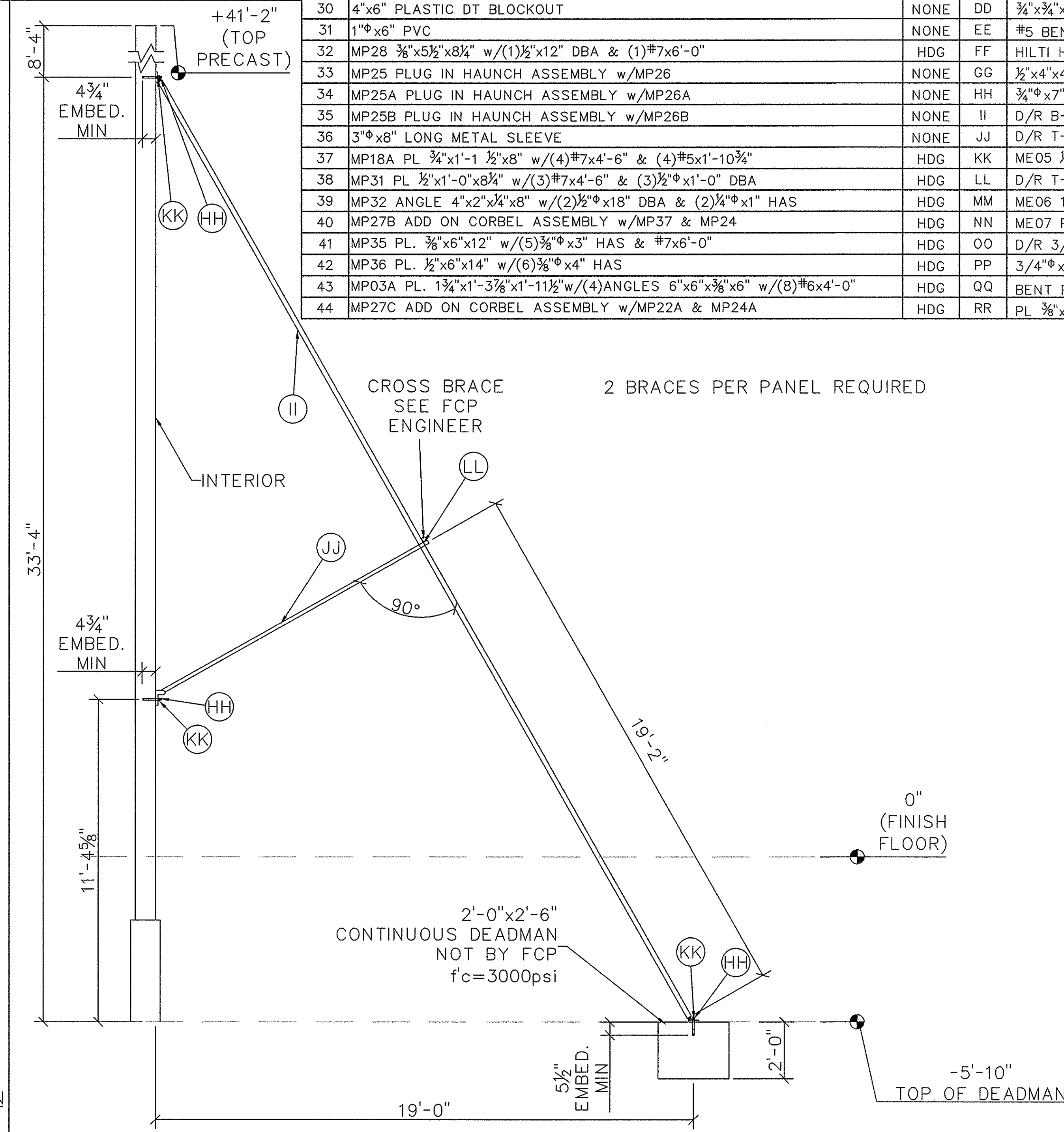


SECTION 101
1"=1'-0"

SECTION 102
1"=1'-0"



SECTION 103
3/8"=1'-0"



SECTION 104
3/8"=1'-0"

ITEM	CAST IN MATERIAL FURNISHED BY F.C.P.	FINISH	ITEM	ERECTION MATERIAL FURNISHED BY F.C.P.	FINISH
1	MPO1 PL 3/8"x6"x8" w/(4)3/8"x4" HAS & (2)#4x1'-9"	HDG	A	ME01 A36 ANCHOR BOLT 1 1/4"x23"w/1 1/4"HNN & PL. 1/2"x4"x4"	NONE
2	MPO2 PL 3/8"x6"x6" w/(4)3/8"x4" HAS	HDG	B	ME08 PL 3/8"x6"x6" w/(4)3/8"x4" HAS	HDG
3	MPO3 PL 1 1/4"x1'-3 7/8"x1'-11 7/8" w/(4)ANGLES 6"x6"x3/8"x6" & (8)#6x4'-0"	HDG	C	ME02A PL 1/2"x9"x1'-2" w/(4)#5x1'-3" & (4)PL 1/2"x2"x2"	HDG
4	MPO4 PL 3/8"x6"x6" w/(4)3/8"x4" HAS & (2)#4x2'-6"	HDG	D	2"x6"x6" SHIM PACK	NONE
5	MPO5 ANGLE 8"x8"x1/2"x7" w/(8)3/8"x4" HAS & (4)#5x3'-6"	SCP	E	ME02 PL 1/2"x9"x1'-2" w/(4)#5x1'-8" & (4)PL 1/2"x2"x2"	HDG
6	MPO6 ANGLE 8"x8"x1/2"x7" w/(4)3/8"x4" HAS & (4)#5x3'-6"	SCP	F	1"x4"x4" SHIM PACK	NONE
7	MPO7 ANGLE 6"x6"x1/2"x7" w/(8)3/8"x4" HAS & (4)#5x3'-6"	SCP	G	ME03 PL 1/2"x9"x1'-2" w/(4)#5x2'-6"	HDG
8	MP29 ADD ON CORBEL ASSEMBLY w/MP08 & MP09	HDG	H	PL 1/2"x5"x7"	SCP
9	MP29A ADD ON CORBEL ASSEMBLY w/MP08A & MP09A	HDG	I	PL 3/8"x4"x6"	HDG
10	MP10 PL 3/8"x6"x7 1/4" w/(1)1/2"x12" DBA & (1)#7x6'-0"	HDG	J	PL 3/8"x4"x8"	HDG
11	MP11 PL 3/8"x6"x8 1/4" w/(1)1/2"x12" DBA & (1)#7x6'-0"	HDG	K	3/8"x4"xCONT. MASTICORD BEARING PAD	NONE
12	MP12 PL 3/8"x6"x7 1/4" w/(1)1/2"x10" DBA & (1)#7x6'-0"	HDG	L	PL 1/2"x4 1/2"x7"	HDG
13	MP13 PL 3/8"x6"x6" w/(4)1/4"x1" HAS & (2)#4x2'-0"	HDG	M	ME08 1/4"x2"x2" PLATE WASHER w/ 7/8" HOLE	SCP
14	MP14 PL 1/2"x7"x8" w/(4)1/2"x6" HAS & (2)#5x3'-0"	HDG	N	1/2"x5"xCONT. KOROLATH BEARING PAD	NONE
15	MP15 PL 1/2"x6"x6" w/(2)1/2"x12" DBA & (2)#5x3'-0"	HDG	O	PL 3/8"x4"x12"	HDG
16	MP30 C6x8.2 CHANNEL FRAME w/1/2"x6" HAS STAGGERED @ 0'-4" O/C	HDG	P		
17	JVI MINI-V	SS	Q	2" PIPE (2 3/8" OD)x6"	SCP
18	JVI VECTOR CONNECTOR	SS	R	3/8"x3/8"x5" SQUARE BAR A304	SS
19	MP16 PL 1/2"x6"x6" w/(2)1/2"x7" DBA & (2)#5x3'-0"	HDG	S	ANGLE 6"x6"x1/2"xCONT.	HDG
20	MP17 PL 3/8"x6"x8" w/(4)3/8"x4" HAS	HDG	T	1/2"x5"x5" MASTICORD BEARING PAD	NONE
21	MP18 PL 3/4"x1'-1 1/2"x8" w/(4)#6x4'-6" & (4)#5x1'-10"	HDG	U	3/8"x3/8"x4" SQUARE BAR A304	SS
22	MP19 PL 3/8"x6"x1'-0" w/(8)1/2"x18" DBA	HDG	V	1"x1"x4" SQUARE BAR A36	HDG
23	MP20 PL 3/8"x6"x8" w/(6)1/2"x18" DBA	HDG	W	ANGLE 4"x6"x3/8"x4"	HDG
24	#7 BENT BAR	NONE	X		
25	1 1/2"x5" PVC SLEEVE	NONE	Y	HILTI HAS-E 3/4"x10 (ITEM# 333201)	NONE
26	MP21 PL. 1/2"x6"x6" w/(4)1/2"x5" HAS & 3/4" DR B25 COIL NUT	HDG	Z	ANGLE 1/4"x4"x4"	NONE
27	MP27 ADD ON CORBEL ASSEMBLY w/MP22 & MP24	HDG			
28	MP27A ADD ON CORBEL ASSEMBLY w/MP23 & MP24	HDG	BB	1/2"x4"x4" MASTICORD BEARING PAD	NONE
29	DAYTON SUPERIOR B16 3/4"x4" COIL LOOP INSERT w/T21 PLASTIC PLUG	NONE	CC	1/2"x6"x10" MASTICORD BEARING PAD	NONE
30	4"x6" PLASTIC DT BLOCKOUT	NONE	DD	3/4"x3/4"x4" SQUARE BAR A36	HDG
31	1" x 6" PVC	NONE	EE	#5 BENT BAR x 1'-3"	NONE
32	MP28 3/8"x5 1/2"x8 1/4" w/(1)1/2"x12" DBA & (1)#7x6'-0"	HDG	FF	HILTI HY150 EPOXY	NONE
33	MP25 PLUG IN HAUNCH ASSEMBLY w/MP26	NONE	GG	1/2"x4"x4" SHIM PACK	NONE
34	MP25A PLUG IN HAUNCH ASSEMBLY w/MP26A	NONE	HH	3/4"x7" LG HILTI KWIK BOLT III	NONE
35	MP25B PLUG IN HAUNCH ASSEMBLY w/MP26B	NONE	II	D/R B-5 HEAVY DUTY LONG PIPE BRACEx38"-4"	NONE
36	3" x 8" LONG METAL SLEEVE	NONE	JJ	D/R T-16 1 1/2" PIPE KNEE BRACEx10'-6"	NONE
37	MP18A PL 3/4"x1'-1 1/2"x8" w/(4)#7x4'-6" & (4)#5x1'-10 3/4"	HDG	KK	ME05 1/4"x3"x3" PLATE WASHER w/ 7/8" HOLE	SCP
38	MP31 PL 1/2"x1'-0"x8 1/4" w/(3)7x4'-6" & (3)1/2"x1'-0" DBA	HDG	LL	D/R T-17 SWIVEL COUPLER	NONE
39	MP32 ANGLE 4"x2"x1/4"x8" w/(2)1/2"x18" DBA & (2)1/4"x1" HAS	HDG	MM	ME06 1/2"x4"x4" w/1" MASTICORD PAD	NONE
40	MP27B ADD ON CORBEL ASSEMBLY w/MP37 & MP24	HDG	NN	ME07 PL. 1/2"x4"x4" w/7/8" HOLE	HDG
41	MP35 PL. 3/8"x6"x12" w/(5)3/8"x3" HAS & #7x6'-0"	HDG	OO	D/R 3/4" B25 COIL NUT	NONE
42	MP36 PL. 1/2"x6"x14" w/(6)3/8"x4" HAS	HDG	PP	3/4"x9 1/2" COIL ROD	NONE
43	MP03A PL. 1 3/4"x1'-3 7/8"x1'-11 1/2" w/(4)ANGLES 6"x6"x3/8"x6" w/(8)#6x4'-0"	HDG	QQ	BENT PL 1/4"xVARIESxCONT	HDG
44	MP27C ADD ON CORBEL ASSEMBLY w/MP22A & MP24A	HDG	RR	PL 3/8"x4"xCONT	HDG

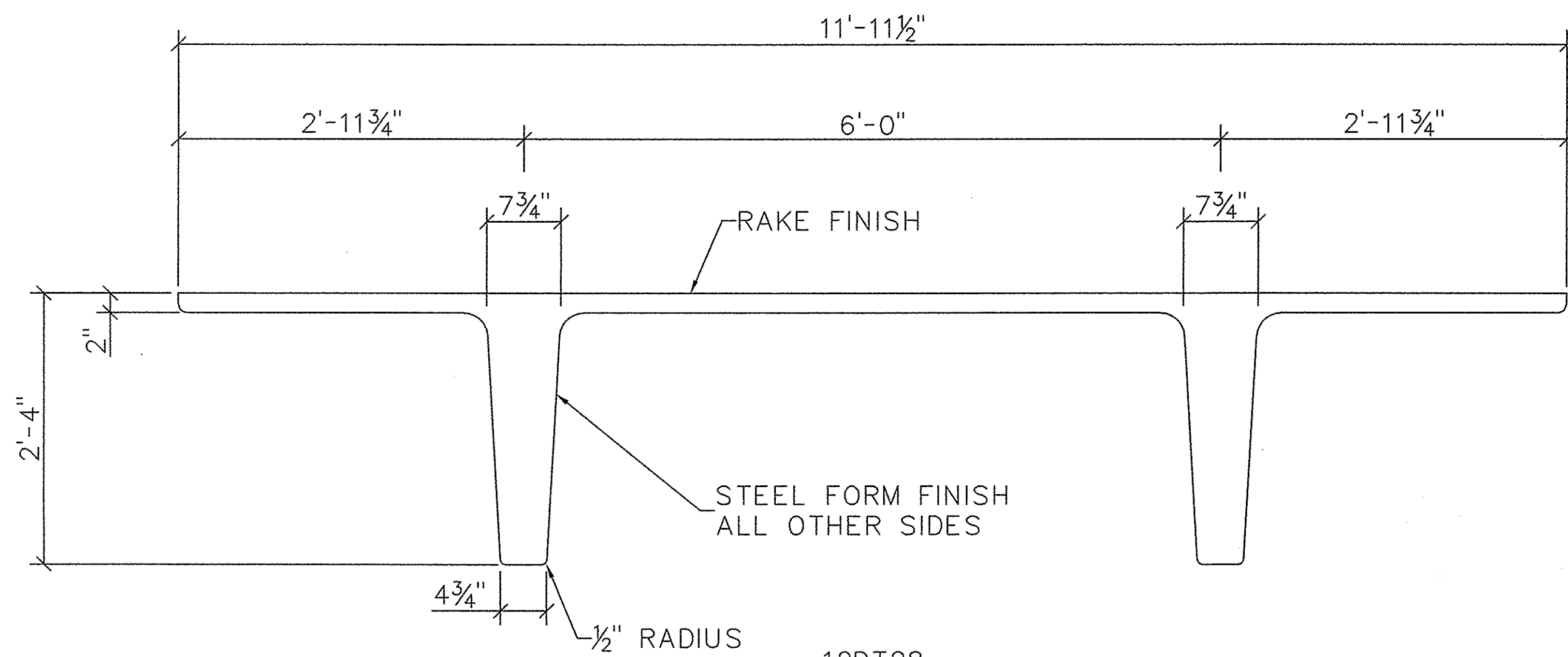
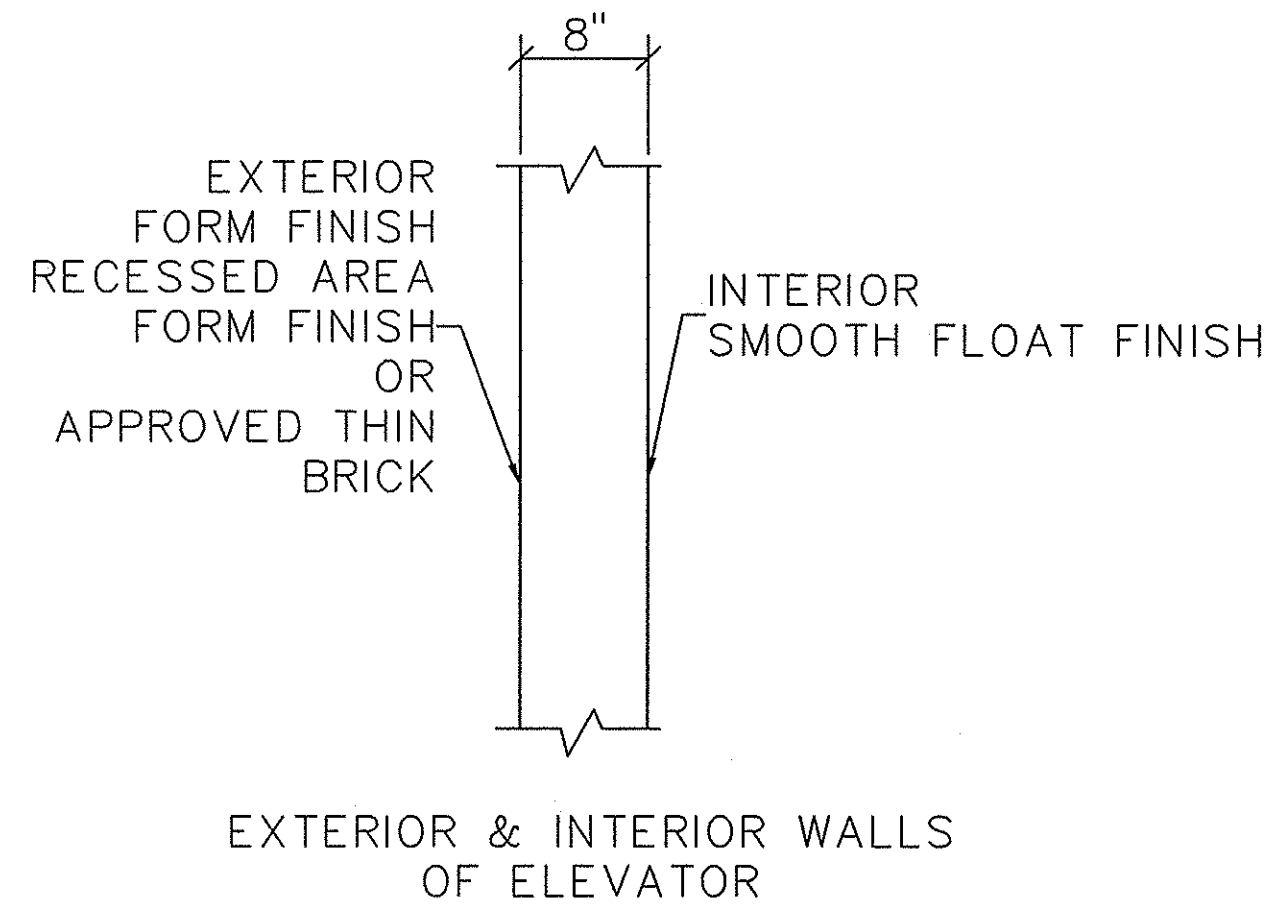
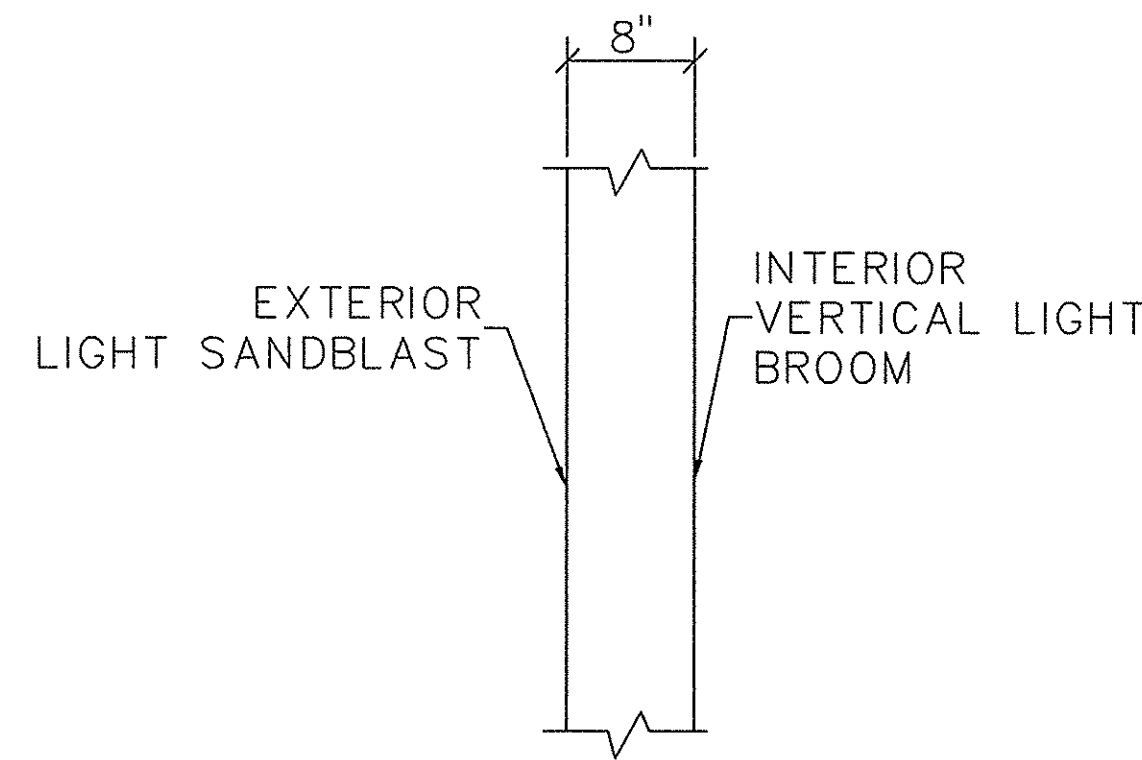
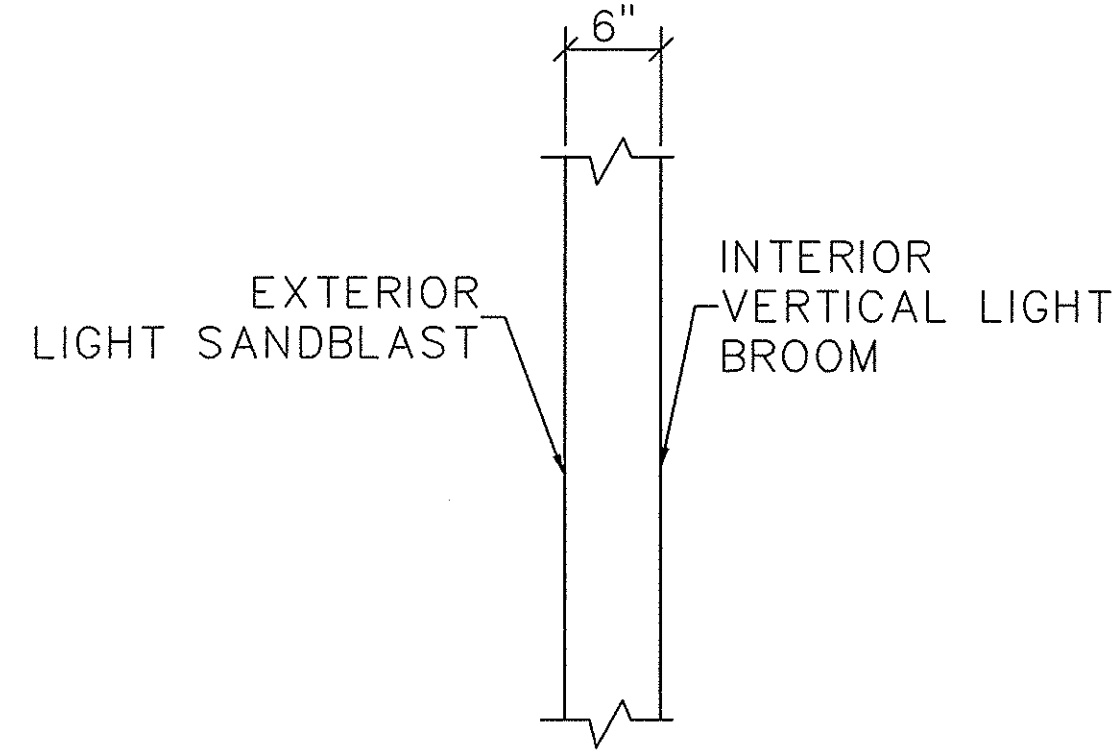
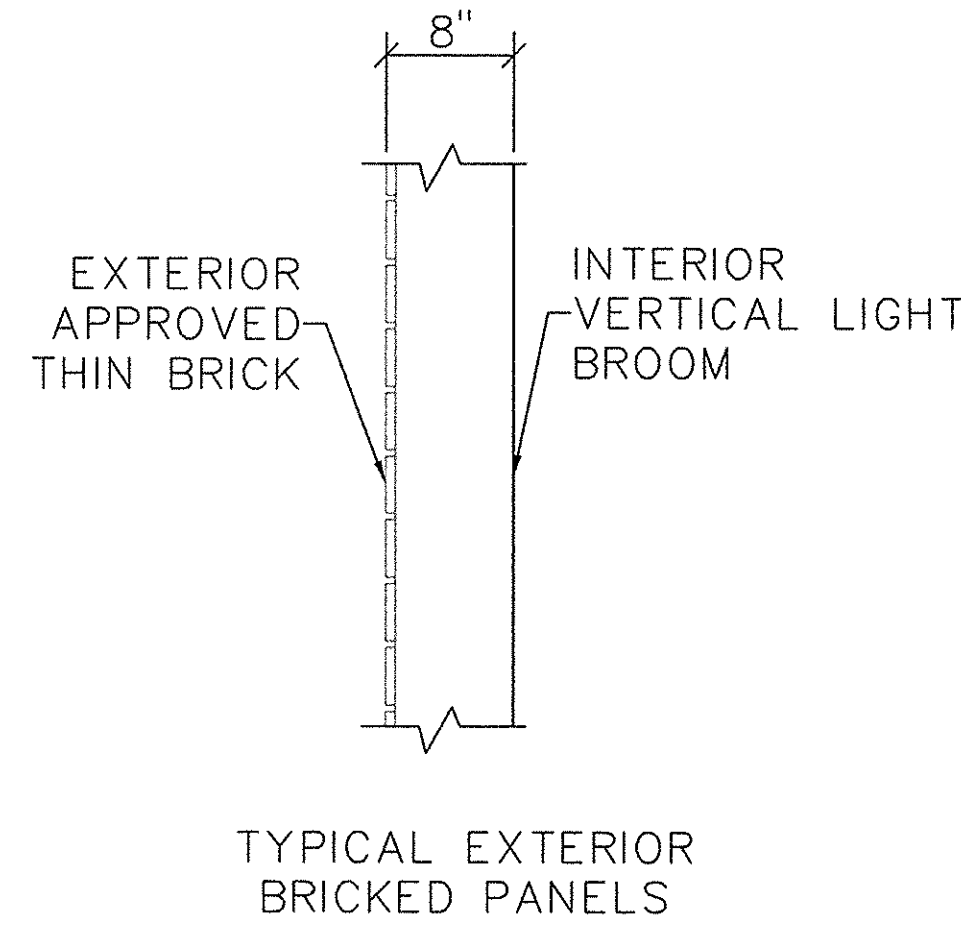
NO.	DATE	REVISION RECORD
1	01/15/07	SUBMITTED FOR APPROVAL
2	05/02/07	RELEASED FOR CONSTRUCTION
3		
4		
5		
6		
7		
8		

FLORENCE CONCRETE PRODUCTS, INC.
 ARCHITECTURAL & STRUCTURAL PRECAST CONCRETE
 865 INDUSTRIAL ROAD, SUMTER, SC 29150
 PHONE: (803) 775-4372 FAX: (803) 775-8569

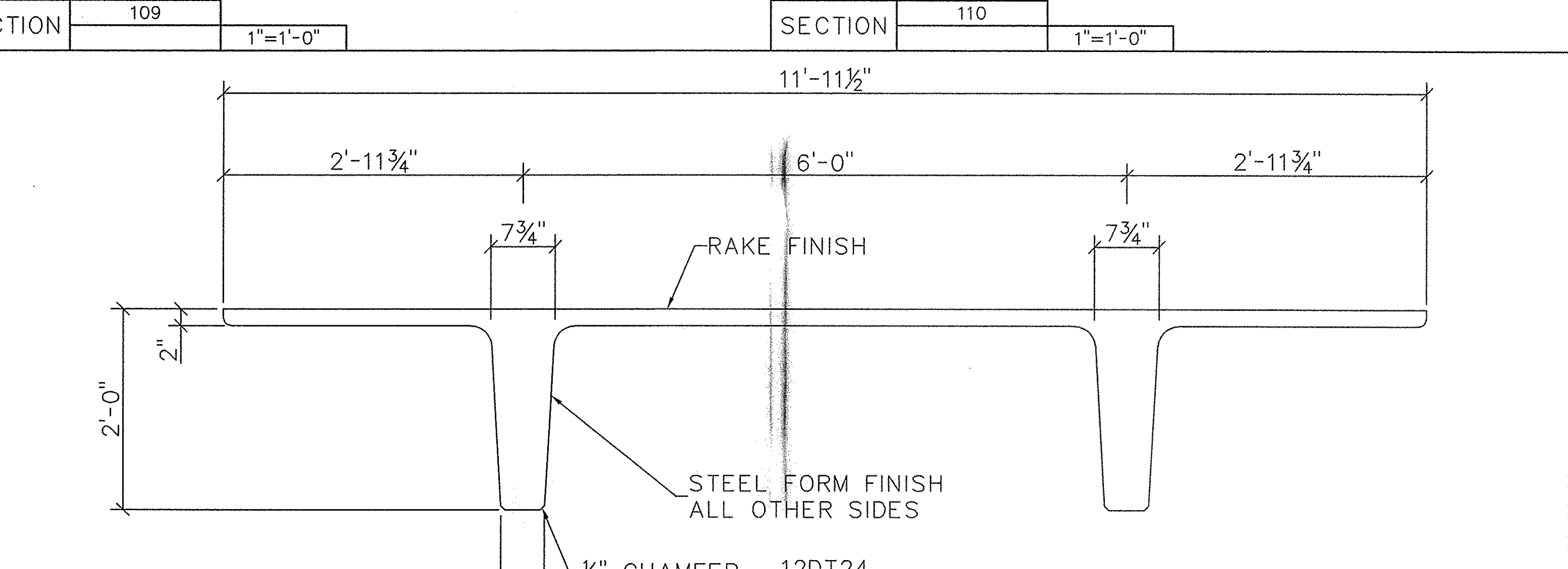
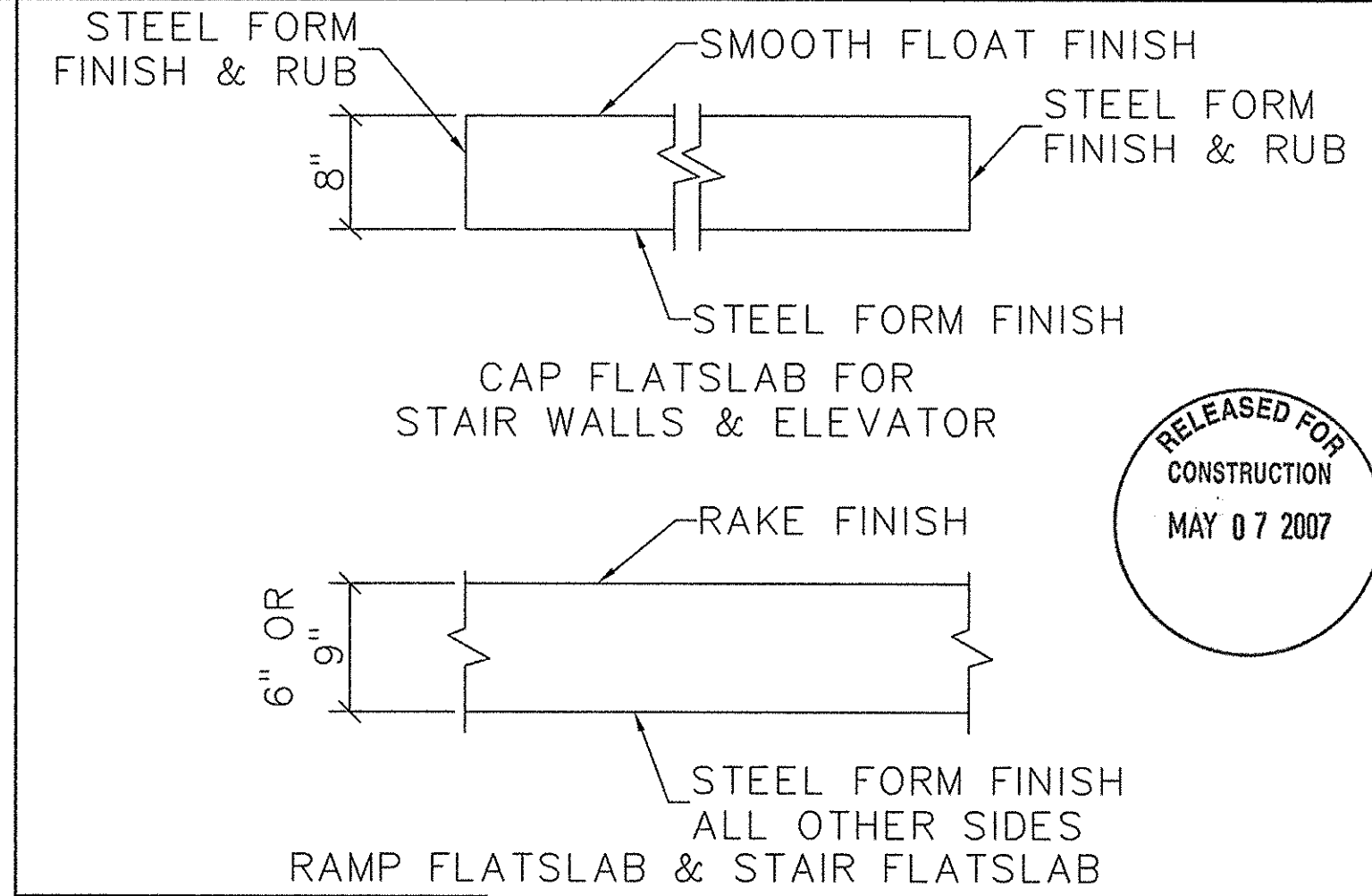
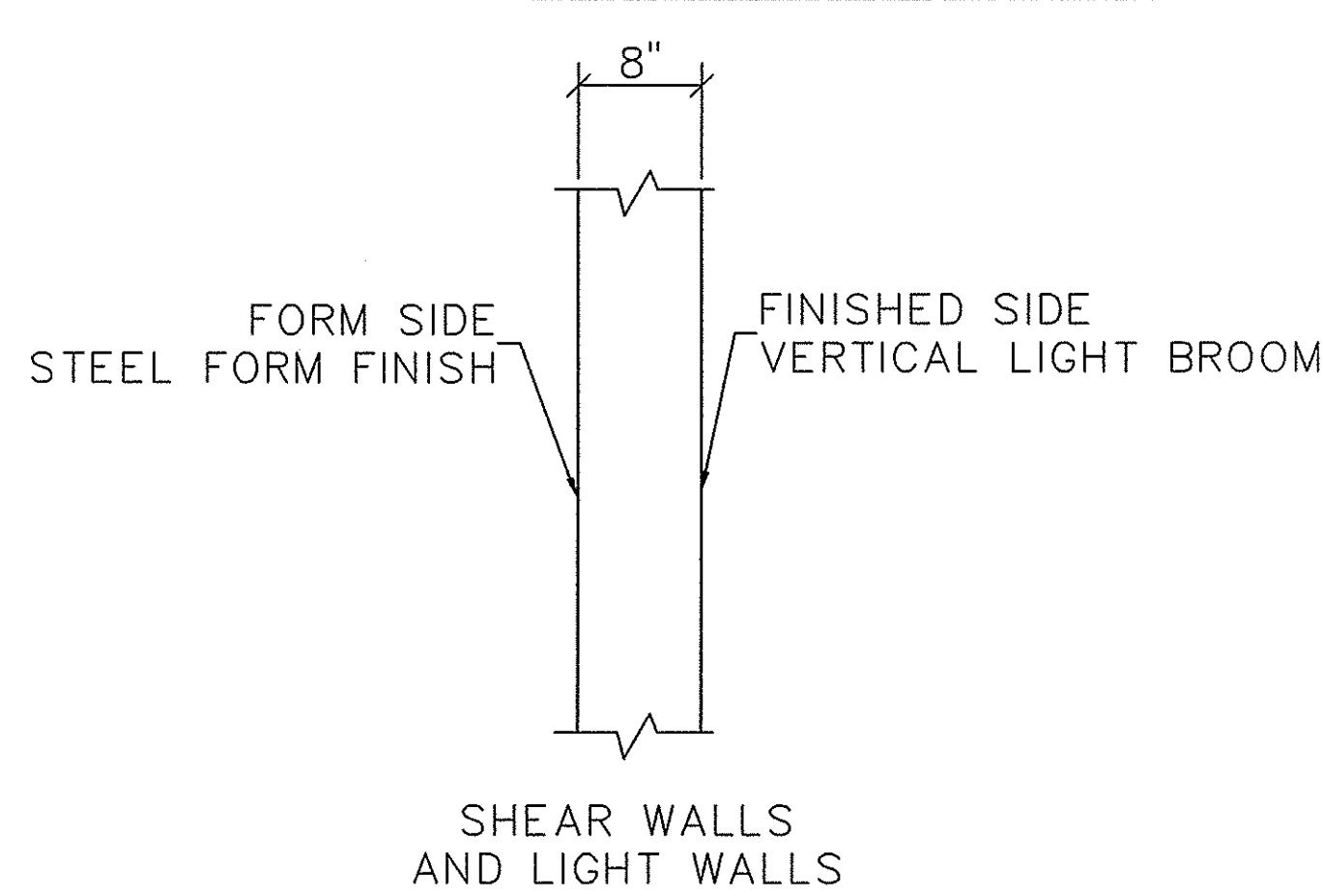


RELEASED FOR CONSTRUCTION
MAY 07 2007

CUSTOMER: PALMETTO CONSTRUCTION GROUP
 PROJECT NAME & ADDRESS: SUMMERVILLE TOWN HALL PARKING GARAGE, SUMMERVILLE, SC
 SECTIONS AND DETAILS
 DRAWN BY: PHK
 CHECKED BY: PHK
 DATE: 01/10/07
 SCALE:
 SHEET #: 29 OF 33
 PROJECT #: 3279
 DRAWING NUMBER: E27



ITEM	CAST IN MATERIAL FURNISHED BY F.C.P.	FINISH	ITEM	ERECTION MATERIAL FURNISHED BY F.C.P.	FINISH
1	MP01 PL 3/8"x6"x8" w/(4)3/8"φx4" HAS & (2)#4x1'-9"	HDG	A	ME01 A36 ANCHOR BOLT 1 1/4"φx23" w/1 1/4"HNN & PL. 1/2"x4"x4"	NONE
2	MP02 PL 3/8"x6"x6" w/(4)3/8"φx4" HAS	HDG	B	ME08 PL 3/8"x6"x6" w/(4)3/8"φx4" HAS	HDG
3	MP03 PL 1 1/4"x1'-3 7/8"x1'-11 1/8" w/(4)ANGLES 6"x6"x3/8"x6" & (8)#6x4'-0"	HDG	C	ME02A PL 1/2"x9"x1'-2" w/(4)#5x1'-3" & (4)PL 1/2"x2"x2"	HDG
4	MP04 PL 3/8"x6"x6" w/(4)3/8"φx4" HAS & (2)#4x2'-6"	HDG	D	2"x6"x6" SHIM PACK	NONE
5	MP05 ANGLE 8"x8"x1/2"x7" w/(8)3/8"φx4" HAS & (4)#5x3'-6"	SCP	E	ME02 PL 1/2"x9"x1'-2" w/(4)#5x1'-8" & (4)PL 1/2"x2"x2"	HDG
6	MP06 ANGLE 8"x8"x1/2"x7" w/(4)3/8"φx4" HAS & (4)#5x3'-6"	SCP	F	1"x4"x4" SHIM PACK	NONE
7	MP07 ANGLE 6"x6"x1/2"x7" w/(8)3/8"φx4" HAS & (4)#5x3'-6"	SCP	G	ME03 PL 1/2"x9"x1'-2" w/(4)#5x2'-6"	HDG
8	MP29 ADD ON CORBEL ASSEMBLY w/MP08 & MP09	HDG	H	PL 1/2"x5"x7"	SCP
9	MP29A ADD ON CORBEL ASSEMBLY w/MP08A & MP09A	HDG	I	PL 3/8"x4"x6"	HDG
10	MP10 PL 3/8"x6"x7 1/4" w/(1)1/2"φx12" DBA & (1)#7x6'-0"	HDG	J	PL 3/8"x4"x8"	HDG
11	MP11 PL 3/8"x6"x8 1/4" w/(1)1/2"φx12" DBA & (1)#7x6'-0"	HDG	K	3/8"x4"xCONT. MASTICORD BEARING PAD	NONE
12	MP12 PL 3/8"x6 1/2"x7 1/4" w/(1)1/2"φx10" DBA & (1)#7x6'-0"	HDG	L	PL 1/2"x4 1/2"x7"	HDG
13	MP13 PL 3/8"x6"x6" w/(4)1/4"φx1" HAS & (2)#4x2'-0"	HDG	M	ME08 1/4"x2"x2" PLATE WASHER w/ 7/8" HOLE	SCP
14	MP14 PL 1/2"x7"x8" w/(4)1/2"φx6" HAS & (2)#5x3'-0"	HDG	N	1/2"x5"xCONT. KOROLATH BEARING PAD	NONE
15	MP15 PL 1/2"x6"x6" w/(2)1/2"φx12" DBA & (2)#5x3'-0"	HDG	O	PL 3/8"x4"x12"	HDG
16	MP30 C6x8.2 CHANNEL FRAME w/1/2"φx6" HAS STAGGERED @ 0'-4" O/C	HDG	P		
17	JVI MINI-V	SS	Q	2"φ PIPE (2 3/8" OD)x6"	SCP
18	JVI VECTOR CONNECTOR	SS	R	5/8"x3/8"x5" SQUARE BAR A304	SS
19	MP16 PL 1/2"x6"x6" w/(2)1/2"φx7" DBA & (2)#5x3'-0"	HDG	S	ANGLE 6"x6"x1/2"xCONT.	HDG
20	MP17 PL 3/8"x6"x8" w/(4)3/8"φx4" HAS	HDG	T	1/2"x5"x5" MASTICORD BEARING PAD	NONE
21	MP18 PL 3/4"x1'-1 1/2"x8" w/(4)#6x4'-6" & (4)#5x1'-10"	HDG	U	3/8"x3/8"x4" SQUARE BAR A304	SS
22	MP19 PL 3/8"x6"x1'-0" w/(8)1/2"φx18" DBA	HDG	V	1"x1"x4" SQUARE BAR A36	HDG
23	MP20 PL 3/8"x6"x8" w/(6)1/2"φx18" DBA	HDG	W	ANGLE 4"x6"x3/8"x4"	HDG
24	#7 BENT BAR	NONE	X		
25	1 1/2"x5" PVC SLEEVE	NONE	Y	HILTI HAS-E 3/4"φx10 (ITEM# 333201)	NONE
26	MP21 PL. 1/2"x6"x6" w/(4)1/2"φx5" HAS & 3/4"φ DR B25 COIL NUT	HDG	Z	ANGLE 1/4"x4"x4"	NONE
27	MP27 ADD ON CORBEL ASSEMBLY w/MP22 & MP24	HDG			
28	MP27A ADD ON CORBEL ASSEMBLY w/MP23 & MP24	HDG	BB	1/2"x4"x4" MASTICORD BEARING PAD	NONE
29	DAYTON SUPERIOR B16 3/4"φx4" COIL LOOP INSERT w/T21 PLASTIC PLUG	NONE	CC	1/2"x6"x10" MASTICORD BEARING PAD	NONE
30	4"x6" PLASTIC DT BLOCKOUT	NONE	DD	3/4"x3/4"x4" SQUARE BAR A36	HDG
31	1"φx6" PVC	NONE	EE	#5 BENT BAR x 1'-3"	NONE
32	MP28 3/8"x5 1/2"x8 1/4" w/(1)1/2"φx12" DBA & (1)#7x6'-0"	HDG	FF	HILTI HY150 EPOXY	NONE
33	MP25 PLUG IN HAUNCH ASSEMBLY w/MP26	NONE	GG	1/2"x4"x4" SHIM PACK	NONE
34	MP25A PLUG IN HAUNCH ASSEMBLY w/MP26A	NONE	HH	3/4"φx7" LG HILTI KWIK BOLT III	NONE
35	MP25B PLUG IN HAUNCH ASSEMBLY w/MP26B	NONE	II	D/R B-5 HEAVY DUTY LONG PIPE BRACEx38"-4"	NONE
36	3"φx8" LONG METAL SLEEVE	NONE	JJ	D/R T-16 1 1/2"φ PIPE KNEE BRACEx10'-6"	NONE
37	MP18A PL 3/4"x1'-1 1/2"x8" w/(4)#7x4'-6" & (4)#5x1'-10 3/4"	HDG	KK	ME05 1/4"x3"x3" PLATE WASHER w/ 7/8"φ HOLE	SCP
38	MP31 PL 1/2"x1'-0"x8 1/4" w/(3)#7x4'-6" & (3)1/2"φx1'-0" DBA	HDG	LL	D/R T-17 SWIVEL COUPLER	NONE
39	MP32 ANGLE 4"x2"x1/4"x8" w/(2)1/2"φx18" DBA & (2)1/4"φx1" HAS	HDG	MM	ME06 1/2"x4"x4" w/1"φ MASTICORD PAD	NONE
40	MP27B ADD ON CORBEL ASSEMBLY w/MP37 & MP24	HDG	NN	ME07 PL. 1/2"x4"x4" w/7/8"φ HOLE	HDG
41	MP35 PL. 3/8"x6"x12" w/(5)3/8"φx3" HAS & #7x6'-0"	HDG	OO	D/R 3/4"φ B25 COIL NUT	NONE
42	MP36 PL. 1/2"x6"x14" w/(6)3/8"φx4" HAS	HDG	PP	3/4"φx9 1/2" COIL ROD	NONE
43	MP03A PL. 1 3/4"x1'-3 7/8"x1'-11 1/2" w/(4)ANGLES 6"x6"x3/8"x6" w/(8)#6x4'-0"	HDG	QQ	BENT PL 1/4"xVARIESxCONT	HDG
44	MP27C ADD ON CORBEL ASSEMBLY w/MP22A & MP24A	HDG	RR	PL 3/8"x4"xCONT	HDG



REVISION RECORD

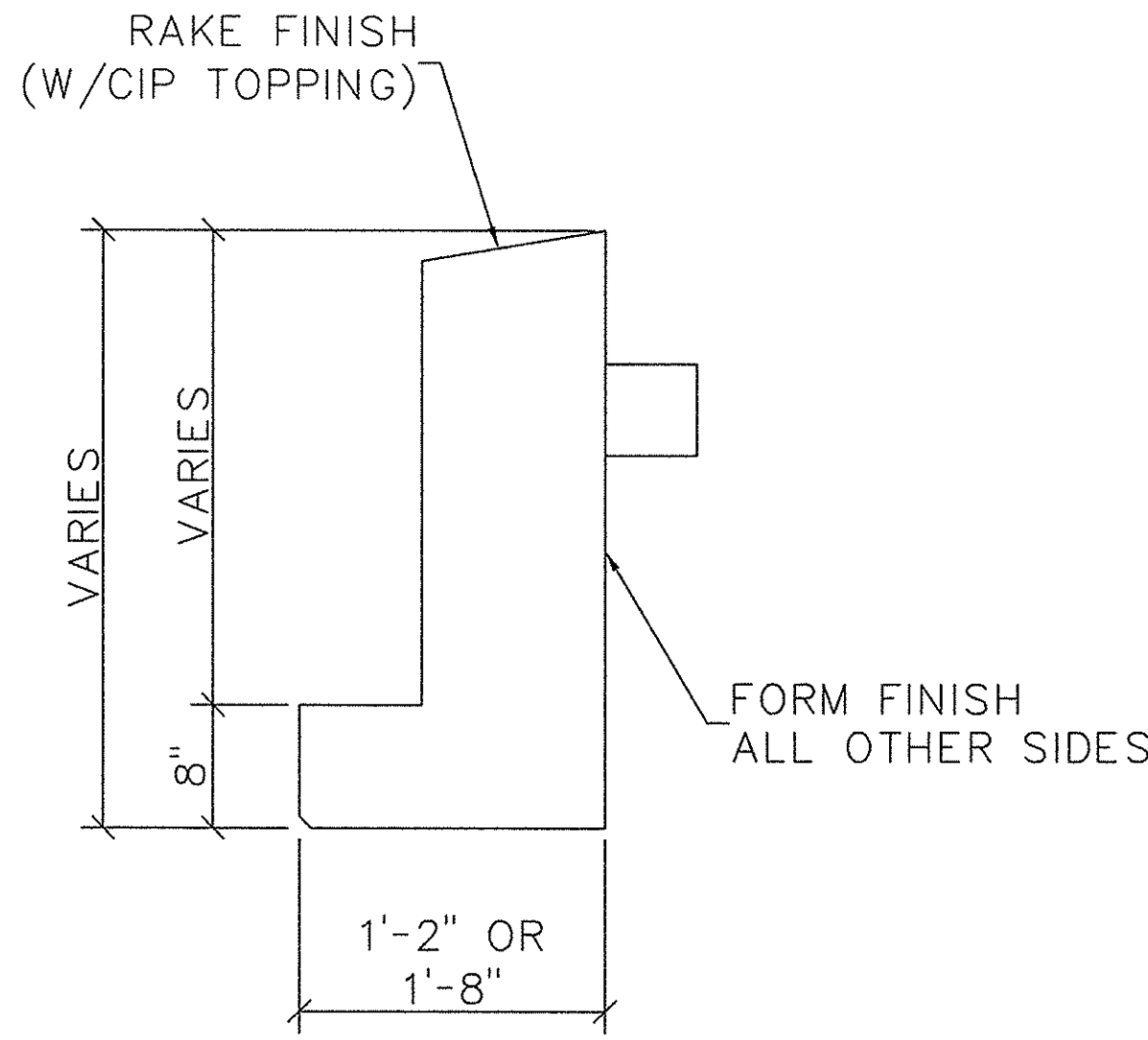
NO.	DATE	DESCRIPTION
1	01/15/07	SUBMITTED FOR APPROVAL
2	05/02/07	RELEASED FOR CONSTRUCTION
3		
4		
5		
6		
7		
8		

FLORENCE CONCRETE PRODUCTS, INC.
ARCHITECTURAL & STRUCTURAL PRECAST CONCRETE
865 INDUSTRIAL ROAD, SUMTER, SC 29150
PHONE: (803) 775-4372 FAX: (803) 775-8569

RELEASED FOR CONSTRUCTION
MAY 07 2007

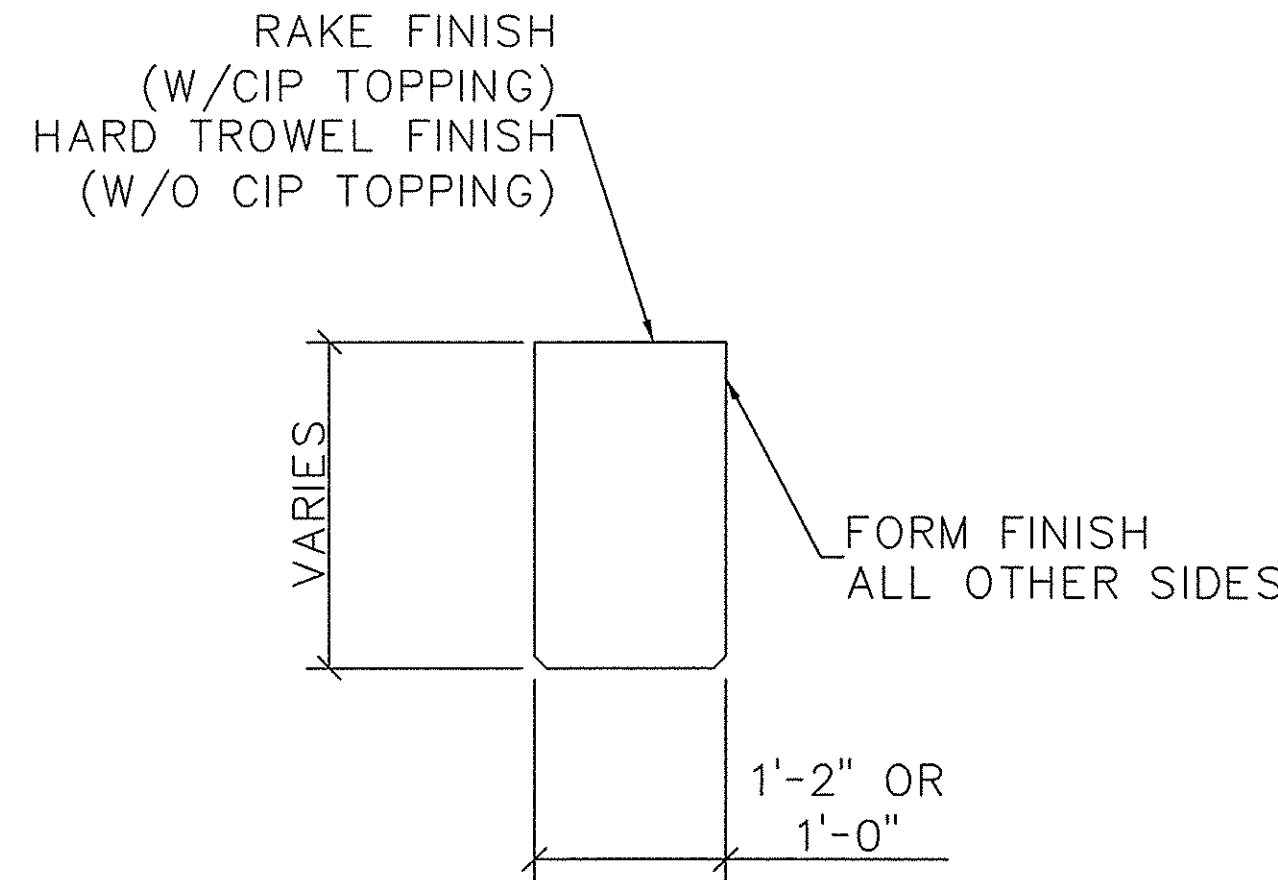
CUSTOMER: PALMETTO CONSTRUCTION GROUP
PROJECT NAME & ADDRESS: SUMMERVILLE TOWN HALL PARKING GARAGE
SUMMERVILLE, SC
SECTIONS AND DETAILS
DRAWN BY: PHK
CHECKED BY: [Signature]
DATE: 01/10/07
SCALE:

SHEET # 30 OF 33 PROJECT # 3279
DRAWING NUMBER: E28



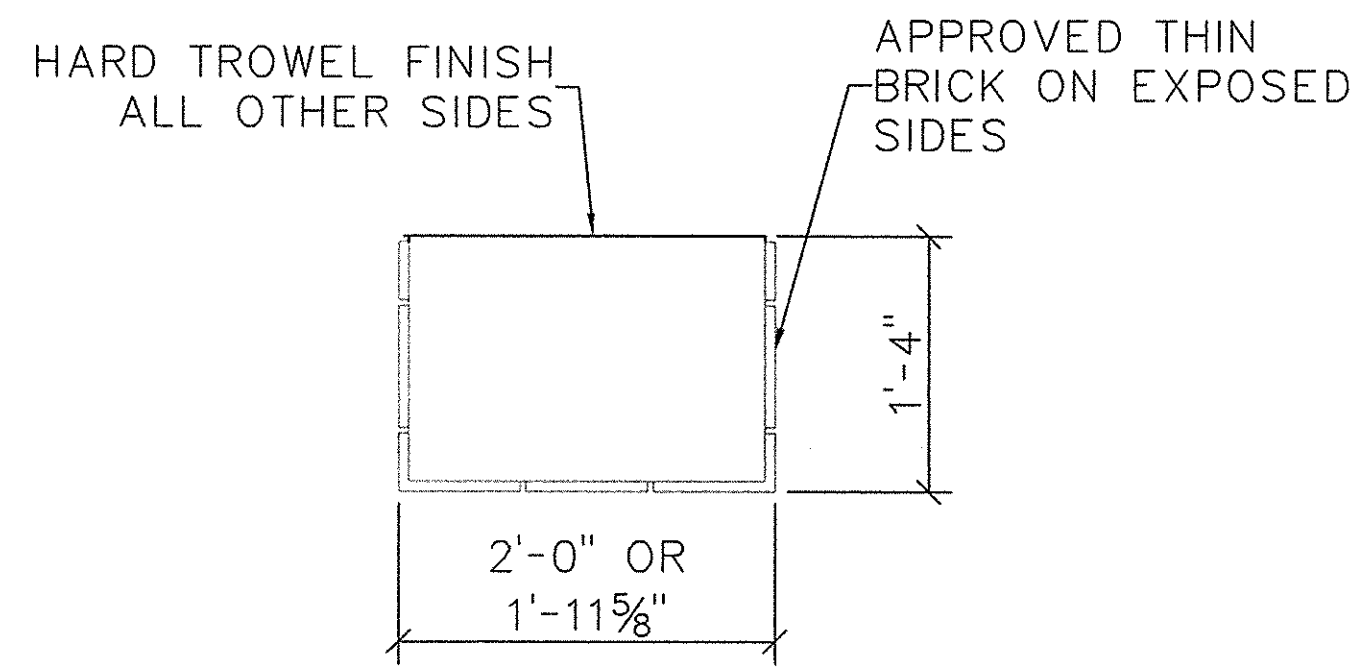
L BEAMS

SECTION	113	1"=1'-0"
---------	-----	----------



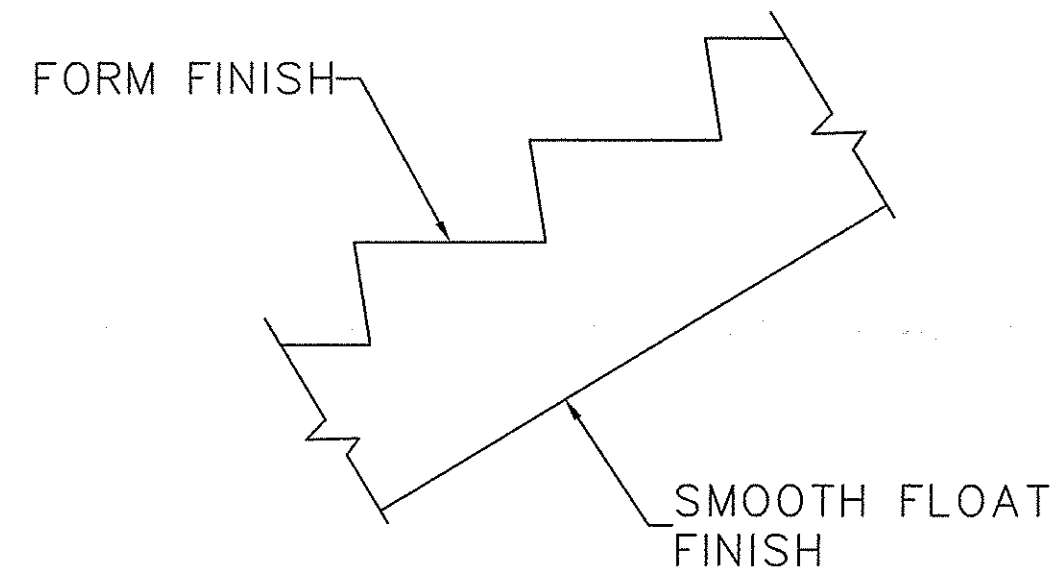
R BEAMS

SECTION	114	1"=1'-0"
---------	-----	----------



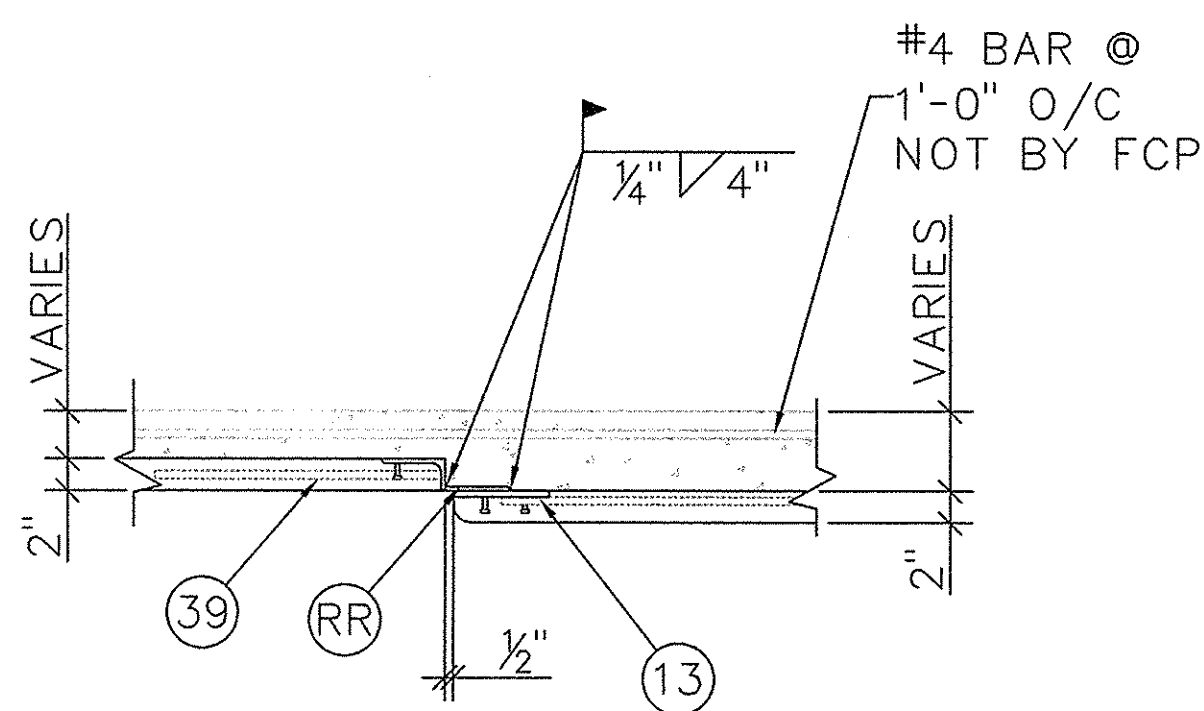
16"x24" COLUMN

SECTION	115	1"=1'-0"
---------	-----	----------

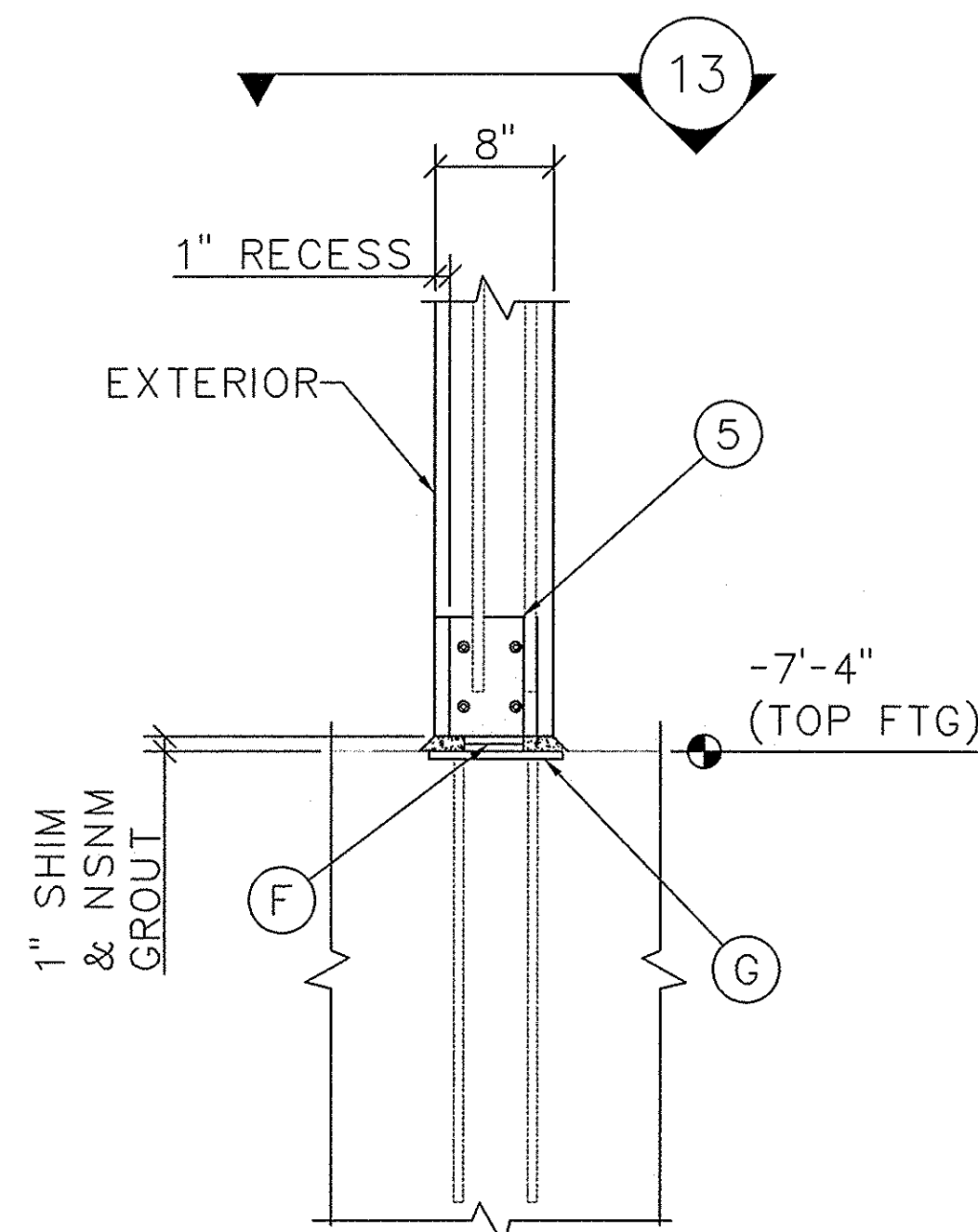


STAIRS

SECTION	116	1"=1'-0"
---------	-----	----------

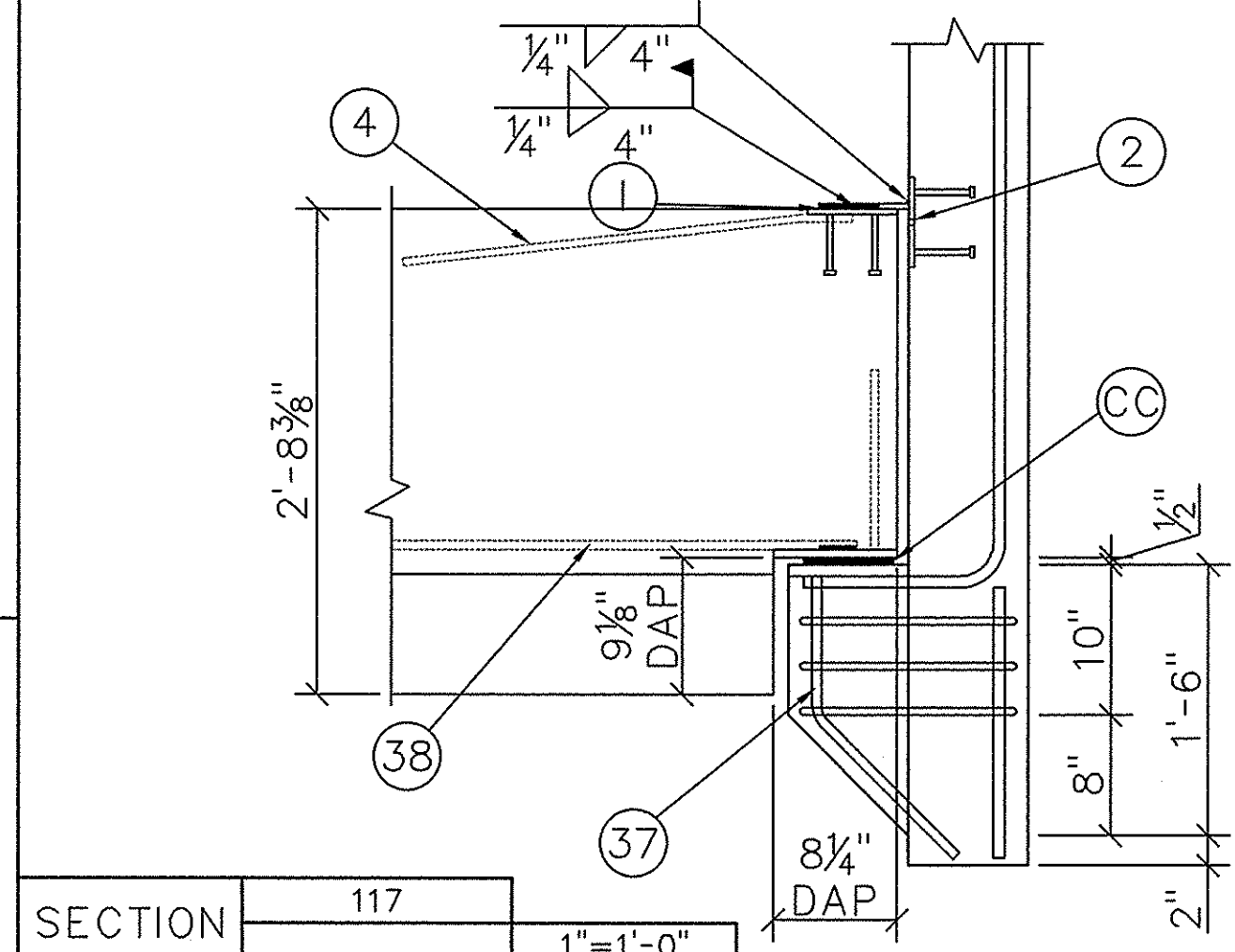


SECTION	119	1"=1'-0"
---------	-----	----------

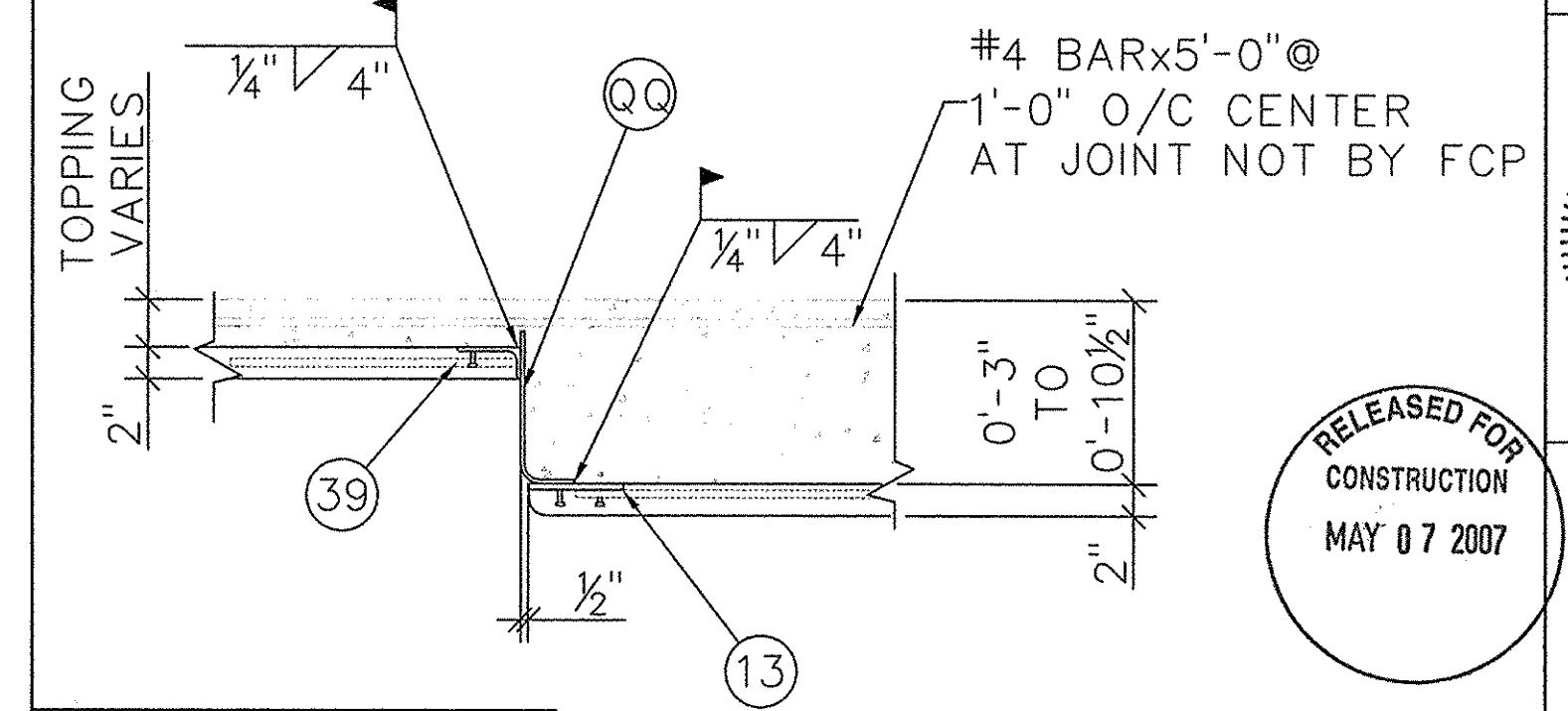


SECTION	120	1"=1'-0"
---------	-----	----------

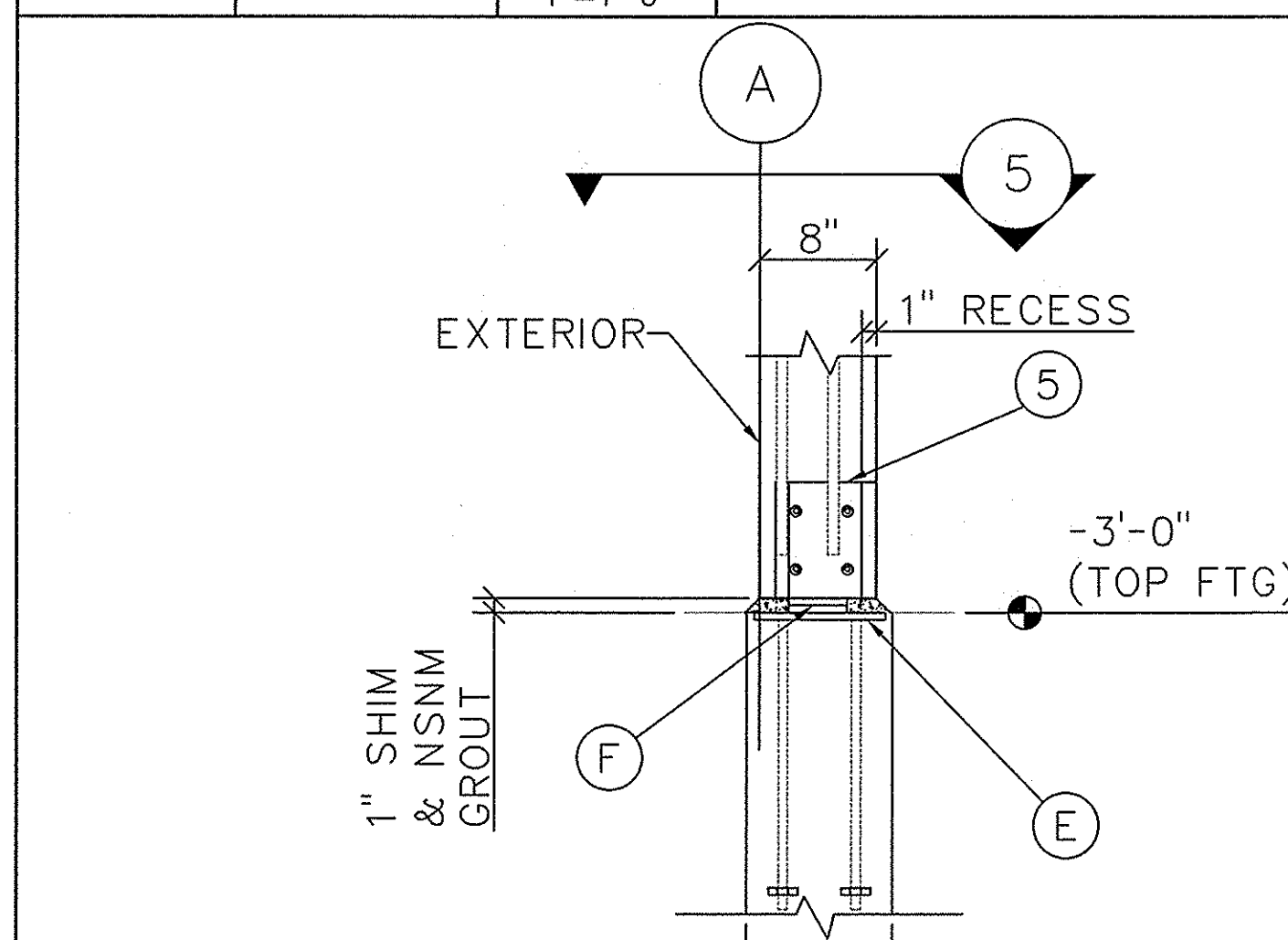
ITEM	CAST IN MATERIAL FURNISHED BY F.C.P.	FINISH	ITEM	ERECTION MATERIAL FURNISHED BY F.C.P.	FINISH
1	MP01 PL 3/8"x6"x8" w/(4)3/8"φx4" HAS & (2)#4x1'-9"	HDG	A	ME01 A36 ANCHOR BOLT 1 1/4"φx23" w/1 1/4"HNN & PL. 1/2"x4"x4"	NONE
2	MP02 PL 3/8"x6"x6" w/(4)3/8"φx4" HAS	HDG	B	ME08 PL 3/8"x6"x6" w/(4)3/8"φx4" HAS	HDG
3	MP03 PL 1 1/4"x1'-3 7/8"x1'-11 7/8" w/(4)ANGLES 6"x6"x3/8"x6" & (8)#6x4'-0"	HDG	C	ME02A PL 1/2"x9"x1'-2" w/(4)#5x1'-3" & (4)PL 1/2"x2"x2"	HDG
4	MP04 PL 3/8"x6"x6" w/(4)3/8"φx4" HAS & (2)#4x2'-6"	HDG	D	2"x6"x6" SHIM PACK	NONE
5	MP05 ANGLE 8"x8"x1/2"x7" w/(8)3/8"φx4" HAS & (4)#5x3'-6"	SCP	E	ME02 PL 1/2"x9"x1'-2" w/(4)#5x1'-8" & (4)PL 1/2"x2"x2"	HDG
6	MP06 ANGLE 8"x8"x1/2"x7" w/(4)3/8"φx4" HAS & (4)#5x3'-6"	SCP	F	1"x4"x4" SHIM PACK	NONE
7	MP07 ANGLE 6"x6"x1/2"x7" w/(8)3/8"φx4" HAS & (4)#5x3'-6"	SCP	G	ME03 PL 1/2"x9"x1'-2" w/(4)#5x2'-6"	HDG
8	MP29 ADD ON CORBEL ASSEMBLY w/MP08 & MP09	HDG	H	PL 1/2"x5"x7"	SCP
9	MP29A ADD ON CORBEL ASSEMBLY w/MP08A & MP09A	HDG	I	PL 3/8"x4"x6"	HDG
10	MP10 PL 3/8"x6"x7 1/4" w/(1)1/2"φx12" DBA & (1)#7x6'-0"	HDG	J	PL 3/8"x4"x8"	HDG
11	MP11 PL 3/8"x6"x8 1/4" w/(1)1/2"φx12" DBA & (1)#7x6'-0"	HDG	K	3/8"x4"xCONT. MASTICORD BEARING PAD	NONE
12	MP12 PL 3/8"x6"x7 1/4" w/(1)1/2"φx10" DBA & (1)#7x6'-0"	HDG	L	PL 1/2"x4"x2"x7"	HDG
13	MP13 PL 3/8"x6"x6" w/(4)1/4"φx11" HAS & (2)#4x2'-0"	HDG	M	ME08 1/4"x2"x2" PLATE WASHER w/ 1/8" HOLE	SCP
14	MP14 PL 1/2"x7"x8" w/(4)1/2"φx6" HAS & (2)#5x3'-0"	HDG	N	1/2"x5"xCONT. KOROLATH BEARING PAD	NONE
15	MP15 PL 1/2"x6"x6" w/(2)1/2"φx12" DBA & (2)#5x3'-0"	HDG	O	PL 3/8"x4"x12"	HDG
16	MP30 C6x8.2 CHANNEL FRAME w/1/2"φx6" HAS STAGGERED @ 0'-4" O/C	HDG	P		
17	JVI MINI-V	SS	Q	2"φ PIPE (2 3/8" OD)x6"	SCP
18	JVI VECTOR CONNECTOR	SS	R	5/8"x5/8"x5" SQUARE BAR A304	SS
19	MP16 PL 1/2"x6"x6" w/(2)1/2"φx7" DBA & (2)#5x3'-0"	HDG	S	ANGLE 6"x6"x1/2"xCONT.	HDG
20	MP17 PL 3/8"x6"x8" w/(4)3/8"φx4" HAS	HDG	T	1/2"x5"x5" MASTICORD BEARING PAD	NONE
21	MP18 PL 3/4"x1'-1 1/2"x8" w/(4)#6x4'-6" & (4)#5x1'-10"	HDG	U	3/8"x3/8"x4" SQUARE BAR A304	SS
22	MP19 PL 3/8"x6"x1'-0" w/(8)1/2"φx18" DBA	HDG	V	1"x1"x4" SQUARE BAR A36	HDG
23	MP20 PL 3/8"x6"x8" w/(6)1/2"φx18" DBA	HDG	W	ANGLE 4"x6"x3/8"x4"	HDG
24	#7 BENT BAR	NONE	X		
25	1 1/2"x5" PVC SLEEVE	NONE	Y	HILTI HAS-E 3/4"φx10 (ITEM# 333201)	NONE
26	MP21 PL. 1/2"x6"x6" w/(4)1/2"φx5" HAS & 3/4"φ DR B25 COIL NUT	HDG	Z	ANGLE 1/4"x4"x4"	NONE
27	MP27 ADD ON CORBEL ASSEMBLY w/MP22 & MP24	HDG			
28	MP27A ADD ON CORBEL ASSEMBLY w/MP23 & MP24	HDG	BB	1/2"x4"x4" MASTICORD BEARING PAD	NONE
29	DAYTON SUPERIOR B16 3/4"φx4" COIL LOOP INSERT w/T21 PLASTIC PLUG	NONE	CC	1/2"x6"x10" MASTICORD BEARING PAD	NONE
30	4"x6" PLASTIC DT BLOCKOUT	NONE	DD	3/4"x3/4"x4" SQUARE BAR A36	HDG
31	1"φx6" PVC	NONE	EE	#5 BENT BAR x 1'-3"	NONE
32	MP28 3/8"x5 1/2"x8 1/4" w/(1)1/2"φx12" DBA & (1)#7x6'-0"	HDG	FF	HILTI HY150 EPOXY	NONE
33	MP25 PLUG IN HAUNCH ASSEMBLY w/MP26	NONE	GG	1/2"x4"x4" SHIM PACK	NONE
34	MP25A PLUG IN HAUNCH ASSEMBLY w/MP26A	NONE	HH	3/4"φx7" LG HILTI KWIK BOLT III	NONE
35	MP25B PLUG IN HAUNCH ASSEMBLY w/MP26B	NONE	II	D/R B-5 HEAVY DUTY LONG PIPE BRACEx38'-4"	NONE
36	3"φx8" LONG METAL SLEEVE	NONE	JJ	D/R T-16 1 1/2"φ PIPE KNEE BRACEx10'-6"	NONE
37	MP18A PL 3/4"x1'-1 1/2"x8" w/(4)#7x4'-6" & (4)#5x1'-10 3/4"	HDG	KK	ME05 1/4"x3"x3" PLATE WASHER w/ 7/8"φ HOLE	SCP
38	MP31 PL 1/2"x1'-0"x8 1/4" w/(3)#7x4'-6" & (3)1/2"φx1'-0" DBA	HDG	LL	D/R T-17 SWIVEL COUPLER	NONE
39	MP32 ANGLE 4"x2"x1/4"x8" w/(2)1/2"φx18" DBA & (2)1/4"φx11" HAS	HDG	MM	ME06 1/2"x4"x4" w/1"φ MASTICORD PAD	NONE
40	MP27B ADD ON CORBEL ASSEMBLY w/MP37 & MP24	HDG	NN	ME07 PL. 1/2"x4"x4" w/7/8"φ HOLE	HDG
41	MP35 PL. 3/8"x6"x12" w/(5)3/8"φx3" HAS & #7x6'-0"	HDG	OO	D/R 3/4"φ B25 COIL NUT	NONE
42	MP36 PL. 1/2"x6"x14" w/(6)3/8"φx4" HAS	HDG	PP	3/4"φx9 1/2" COIL ROD	NONE
43	MP03A PL. 1 3/4"x1'-3 7/8"x1'-11 1/2" w/(4)ANGLES 6"x6"x3/8"x6" w/(8)#6x4'-0"	HDG	QQ	BENT PL 1/4"xVARIESxCONT	HDG
44	MP27C ADD ON CORBEL ASSEMBLY w/MP22A & MP24A	HDG	RR	PL 3/8"x4"xCONT	HDG



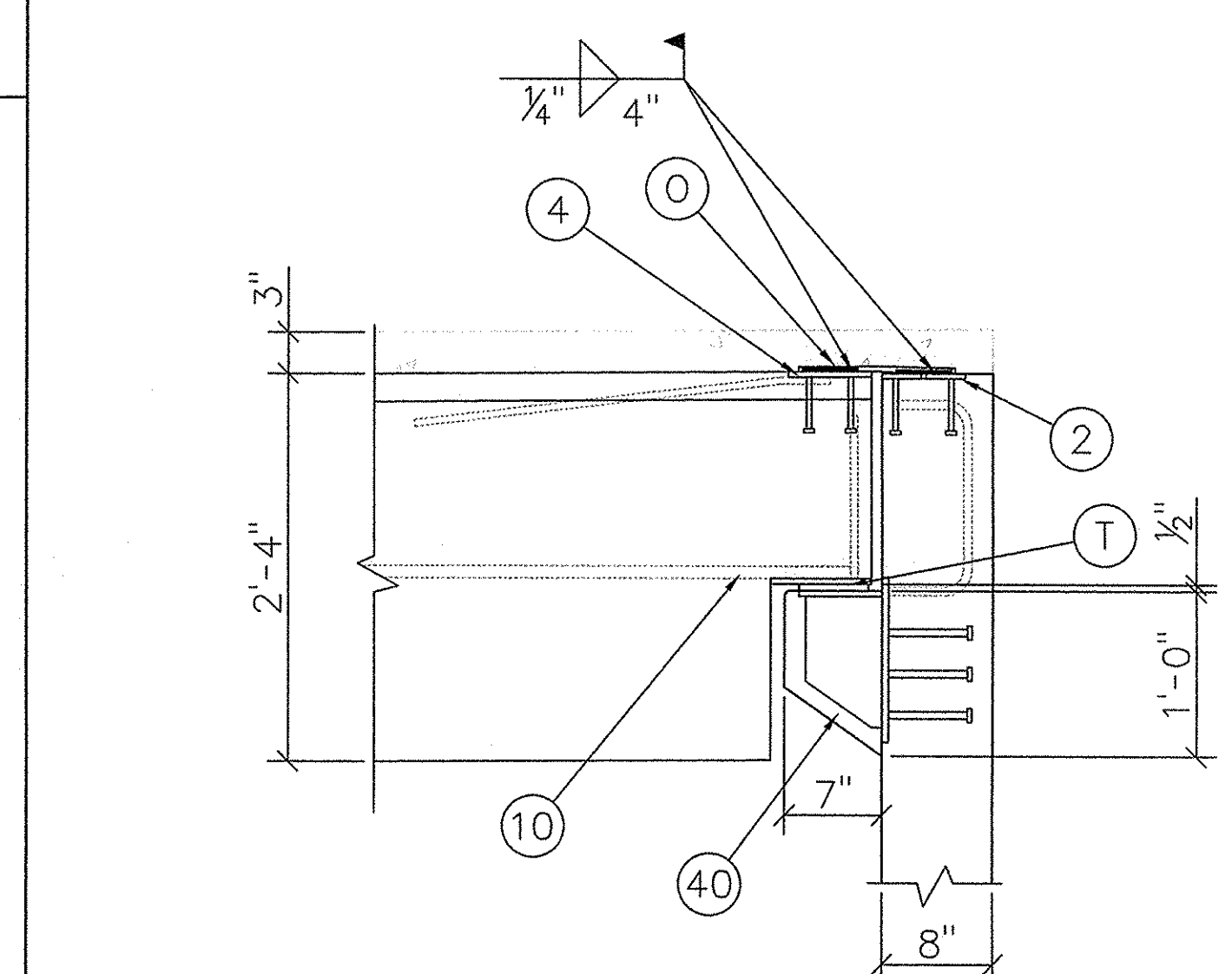
SECTION	117	1"=1'-0"
---------	-----	----------



SECTION	118	1"=1'-0"
---------	-----	----------



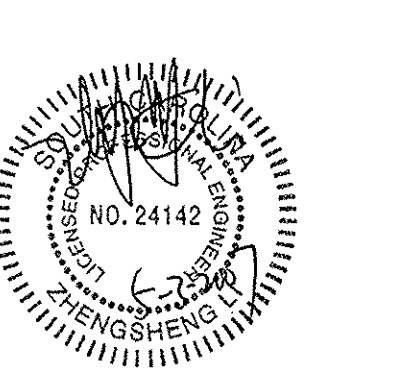
SECTION	121	1"=1'-0"
---------	-----	----------



SECTION	122	1"=1'-0"
---------	-----	----------

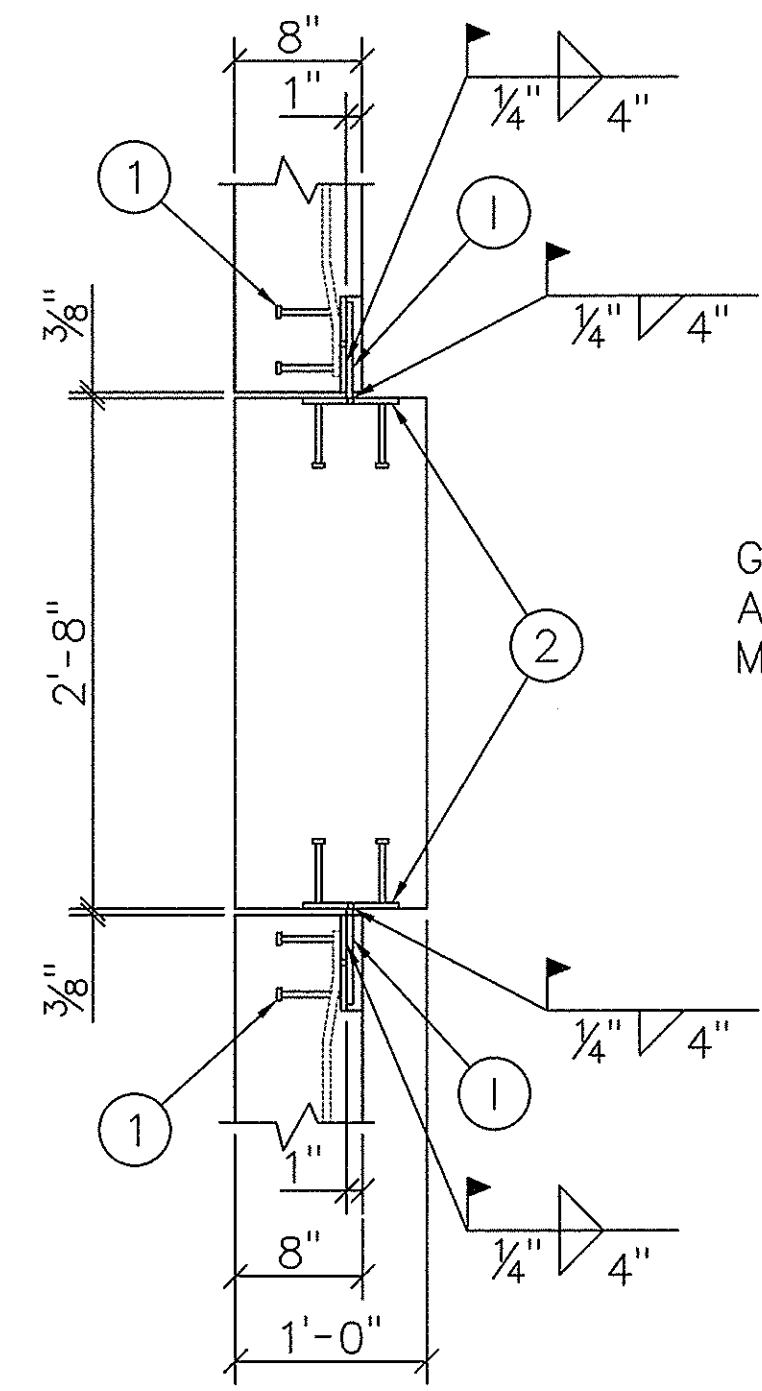
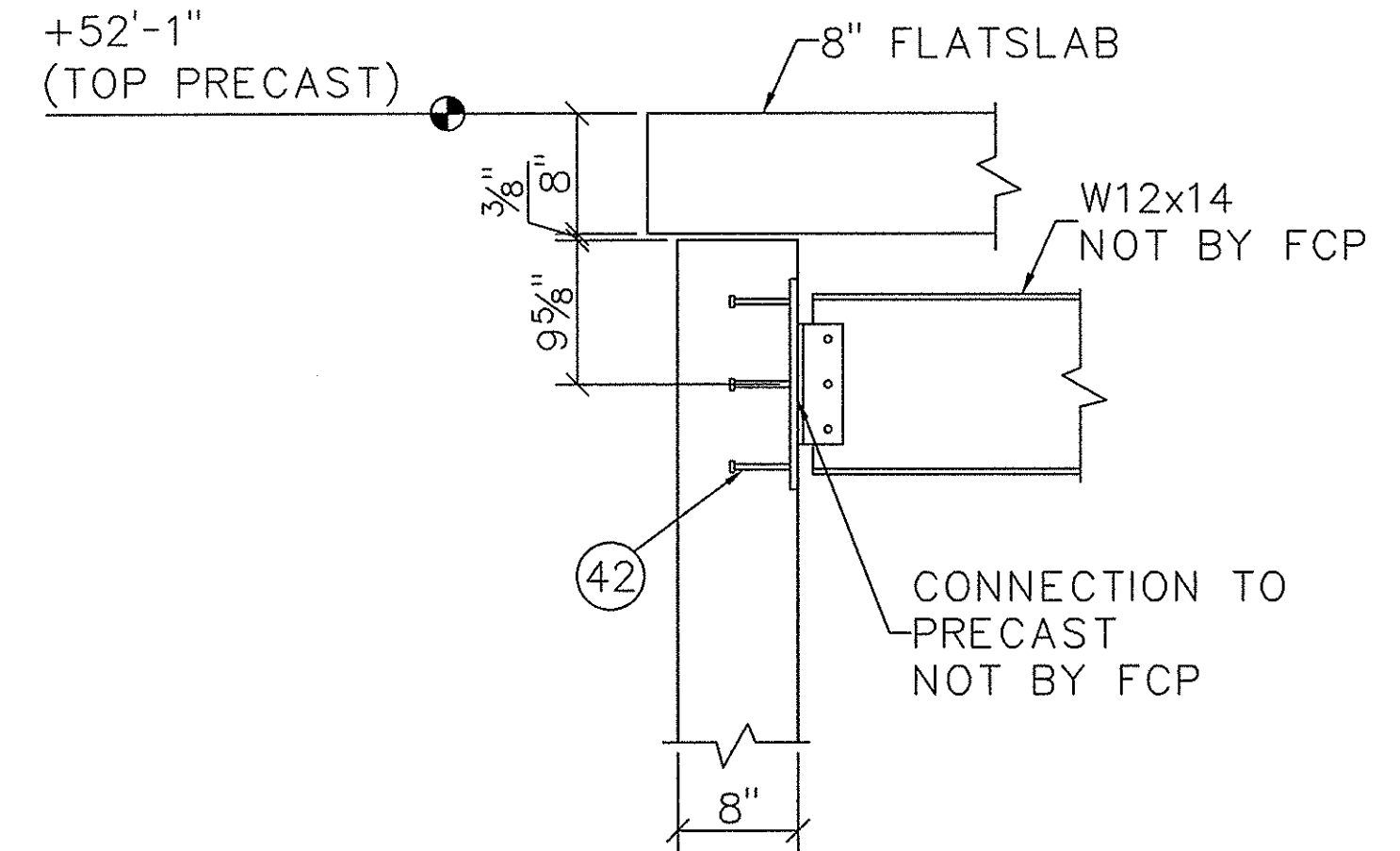
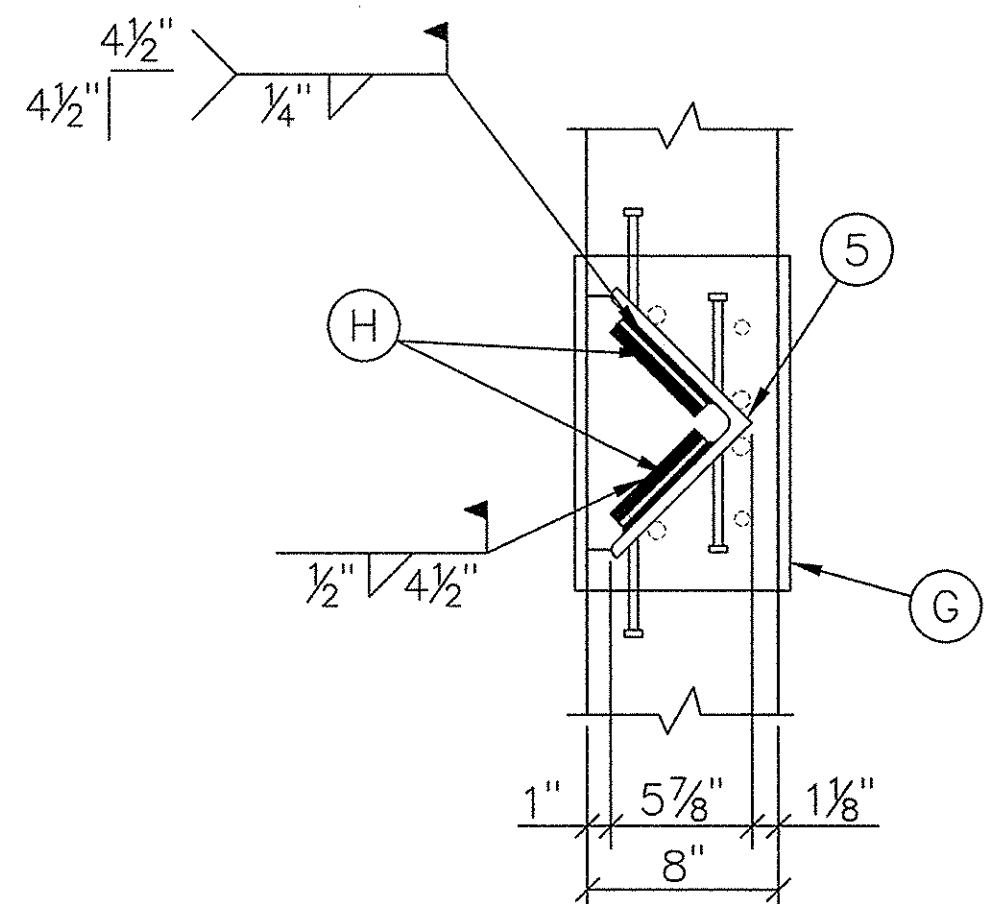
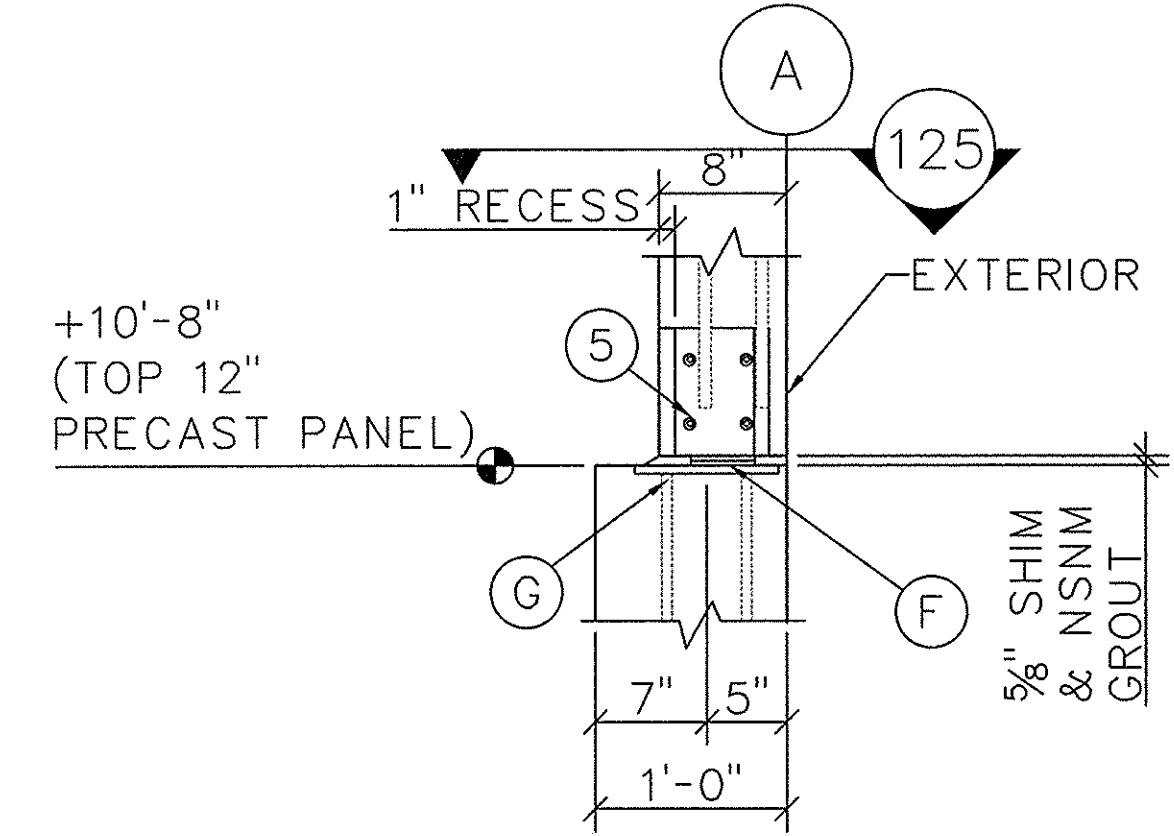
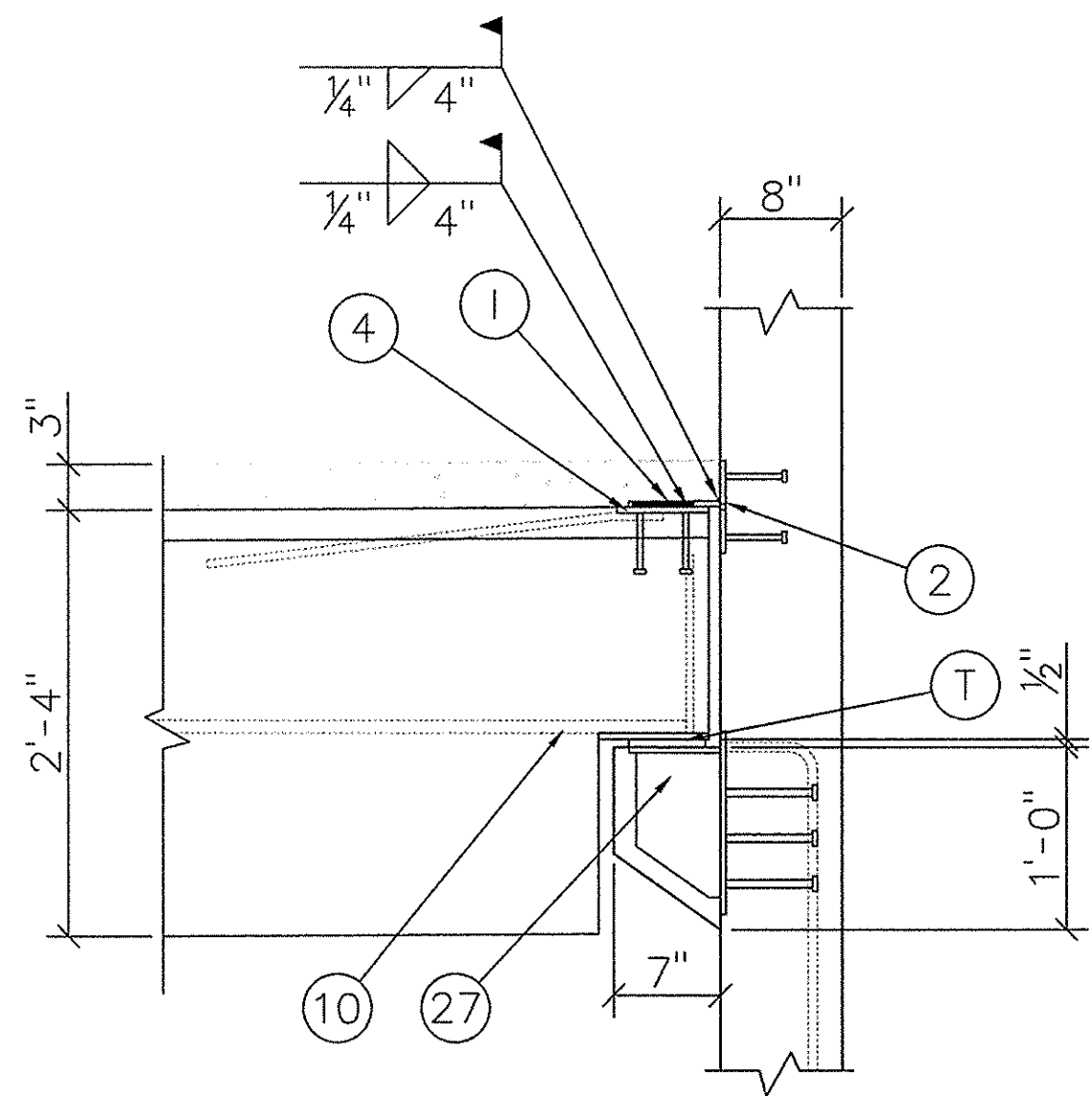
NO.	DATE	REVISION RECORD
1	01/15/07	SUBMITTED FOR APPROVAL
2	05/02/07	RELEASED FOR CONSTRUCTION
3		
4		
5		
6		
7		
8		

FLORENCE CONCRETE PRODUCTS, INC.
 ARCHITECTURAL & STRUCTURAL PRECAST CONCRETE
 865 INDUSTRIAL ROAD, SUMTER, SC 29150
 PHONE: (803) 775-4372 FAX: (803) 775-8569



RELEASED FOR CONSTRUCTION
 MAY 07 2007

CUSTOMER: PALMETTO CONSTRUCTION GROUP
 PROJECT NAME & ADDRESS: SUMMERVILLE TOWN HALL PARKING GARAGE, SUMMERVILLE, SC
 SECTIONS AND DETAILS
 DRAWN BY: PHK
 CHECKED BY: PHK
 DATE: 01/10/07
 SCALE:
 SHEET #: 31 of 33
 PROJECT #: 3279
 DRAWING NUMBER: E29



GROUT 1" RECESS AFTER CONNECTION IS MADE AND INSPECTED

RELEASED FOR CONSTRUCTION
MAY 07 2007

ITEM	CAST IN MATERIAL FURNISHED BY F.C.P.	FINISH	ITEM	ERECTION MATERIAL FURNISHED BY F.C.P.	FINISH
1	MP01 PL 3/8"x6"x8" w/(4)3/8"φx4" HAS & (2)#4x1'-9"	HDG	A	ME01 A36 ANCHOR BOLT 1 1/4"φx23"w/1 1/4"HHN & PL. 1/2"x4"x4"	NONE
2	MP02 PL 3/8"x6"x6" w/(4)3/8"φx4" HAS	HDG	B	ME08 PL 3/8"x6"x6" w/(4)3/8"φx4" HAS	HDG
3	MP03 PL 1 1/4"x1'-3 7/8"x1'-11 7/8" w/(4)ANGLES 6"x6"x3/8"x6" & (8)#6x4'-0"	HDG	C	ME02A PL 1/2"x9"x1'-2" w/(4)#5x1'-3" & (4)PL 1/2"x2"x2"	HDG
4	MP04 PL 3/8"x6"x6" w/(4)3/8"φx4" HAS & (2)#4x2'-6"	HDG	D	2"x6"x6" SHIM PACK	NONE
5	MP05 ANGLE 8"x8"x1/2"x7" w/(8)3/8"φx4" HAS & (4)#5x3'-6"	SCP	E	ME02 PL 1/2"x9"x1'-2" w/(4)#5x1'-8" & (4)PL 1/2"x2"x2"	HDG
6	MP06 ANGLE 8"x8"x1/2"x7" w/(4)3/8"φx4" HAS & (4)#5x3'-6"	SCP	F	1"x4"x4" SHIM PACK	NONE
7	MP07 ANGLE 6"x6"x1/2"x7" w/(8)3/8"φx4" HAS & (4)#5x3'-6"	SCP	G	ME03 PL 1/2"x9"x1'-2" w/(4)#5x2'-6"	HDG
8	MP29 ADD ON CORBEL ASSEMBLY w/MP08 & MP09	HDG	H	PL 1/2"x5"x7"	SCP
9	MP29A ADD ON CORBEL ASSEMBLY w/MP08A & MP09A	HDG	I	PL 3/8"x4"x6"	HDG
10	MP10 PL 3/8"x6"x7 1/4" w/(1)1/2"φx12" DBA & (1)#7x6'-0"	HDG	J	PL 3/8"x4"x8"	HDG
11	MP11 PL 3/8"x6"x8 1/4" w/(1)1/2"φx12" DBA & (1)#7x6'-0"	HDG	K	3/8"x4"xCONT. MASTICORD BEARING PAD	NONE
12	MP12 PL 3/8"x6 1/2"x7 1/4" w/(1)1/2"φx10" DBA & (1)#7x6'-0"	HDG	L	PL 1/2"x4 1/2"x7"	HDG
13	MP13 PL 3/8"x6"x6" w/(4)1/4"φx1" HAS & (2)#4x2'-0"	HDG	M	ME08 1/4"x2"x2" PLATE WASHER w/ 7/8" HOLE	SCP
14	MP14 PL 1/2"x7"x8" w/(4)1/2"φx6" HAS & (2)#5x3'-0"	HDG	N	1/2"x5"xCONT. KOROLATH BEARING PAD	NONE
15	MP15 PL 1/2"x6"x6" w/(2)1/2"φx12" DBA & (2)#5x3'-0"	HDG	O	PL 3/8"x4"x12"	HDG
16	MP30 C6x8.2 CHANNEL FRAME w/1/2"φx6" HAS STAGGERED @ 0'-4" O/C	HDG	P		
17	JVI MINI-V	SS	Q	2"φ PIPE (2 3/8" OD)x6"	SCP
18	JVI VECTOR CONNECTOR	SS	R	5/8"x5/8"x5" SQUARE BAR A304	SS
19	MP16 PL 1/2"x6"x6" w/(2)1/2"φx7" DBA & (2)#5x3'-0"	HDG	S	ANGLE 6"x6"x1/2"xCONT.	HDG
20	MP17 PL 3/8"x6"x8" w/(4)3/8"φx4" HAS	HDG	T	1/2"x5"x5" MASTICORD BEARING PAD	NONE
21	MP18 PL 3/4"x1'-1 1/2"x8" w/(4)#6x4'-6" & (4)#5x1'-10"	HDG	U	3/8"x3/8"x4" SQUARE BAR A304	SS
22	MP19 PL 3/8"x6"x1'-0" w/(8)1/2"φx18" DBA	HDG	V	1"x1"x4" SQUARE BAR A36	HDG
23	MP20 PL 3/8"x6"x8" w/(6)1/2"φx18" DBA	HDG	W	ANGLE 4"x6"x3/8"x4"	HDG
24	#7 BENT BAR	NONE	X		
25	1 1/2"x5" PVC SLEEVE	NONE	Y	HILTI HAS-E 3/4"φx10 (ITEM# 333201)	NONE
26	MP21 PL. 1/2"x6"x6" w/(4)1/2"φx5" HAS & 3/4"φ DR B25 COIL NUT	HDG	Z	ANGLE 1/4"x4"x4"	NONE
27	MP27 ADD ON CORBEL ASSEMBLY w/MP22 & MP24	HDG			
28	MP27A ADD ON CORBEL ASSEMBLY w/MP23 & MP24	HDG	BB	1/2"x4"x4" MASTICORD BEARING PAD	NONE
29	DAYTON SUPERIOR B16 3/4"φx4" COIL LOOP INSERT w/T21 PLASTIC PLUG	NONE	CC	1/2"x6"x10" MASTICORD BEARING PAD	NONE
30	4"x6" PLASTIC DT BLOCKOUT	NONE	DD	3/4"x3/4"x4" SQUARE BAR A36	HDG
31	1"φx6" PVC	NONE	EE	#5 BENT BAR x 1'-3"	NONE
32	MP28 3/8"x5 1/2"x8 1/4" w/(1)1/2"φx12" DBA & (1)#7x6'-0"	HDG	FF	HILTI HY150 EPOXY	NONE
33	MP25 PLUG IN HAUNCH ASSEMBLY w/MP26	NONE	GG	1/2"x4"x4" SHIM PACK	NONE
34	MP25A PLUG IN HAUNCH ASSEMBLY w/MP26A	NONE	HH	3/4"φx7" LG HILTI KWIK BOLT III	NONE
35	MP25B PLUG IN HAUNCH ASSEMBLY w/MP26B	NONE	II	D/R B-5 HEAVY DUTY LONG PIPE BRACEx38"-4"	NONE
36	3"φx8" LONG METAL SLEEVE	NONE	JJ	D/R T-16 1 1/2"φ PIPE KNEE BRACEx10'-6"	NONE
37	MP18A PL 3/4"x1'-1 1/2"x8" w/(4)#7x4'-6" & (4)#5x1'-10 3/4"	HDG	KK	ME05 1/4"x3"x3" PLATE WASHER w/ 7/8"φ HOLE	SCP
38	MP31 PL 1/2"x1'-0"x8 1/4" w/(3)#7x4'-6" & (3)1/2"φx1'-0" DBA	HDG	LL	D/R T-17 SWIVEL COUPLER	NONE
39	MP32 ANGLE 4"x2"x1/2"x8" w/(2)1/2"φx18" DBA & (2)1/4"φx1" HAS	HDG	MM	ME06 1/2"x4"x4" w/1"φ MASTICORD PAD	NONE
40	MP27B ADD ON CORBEL ASSEMBLY w/MP37 & MP24	HDG	NN	ME07 PL. 1/2"x4"x4" w/7/8"φ HOLE	HDG
41	MP35 PL. 3/8"x6"x12" w/(5)3/8"φx3" HAS & #7x6'-0"	HDG	OO	D/R 3/4"φ B25 COIL NUT	NONE
42	MP36 PL. 1/2"x6"x14" w/(6)3/8"φx4" HAS	HDG	PP	3/4"φx9 1/2" COIL ROD	NONE
43	MP03A PL. 1 3/4"x1'-3 7/8"x1'-11 1/2" w/(4)ANGLES 6"x6"x3/8"x6" w/(8)#6x4'-0"	HDG	QQ	BENT PL 1/4"xVARIESxCONT	HDG
44	MP27C ADD ON CORBEL ASSEMBLY w/MP22A & MP24A	HDG	RR	PL 3/8"x4"xCONT	HDG

SECTION 123
1"=1'-0"

SECTION 124
1"=1'-0"

SECTION 125
1 1/2"=1'-0"

SECTION 126
1"=1'-0"

SECTION 127
1"=1'-0"

SECTION 128
1"=1'-0"

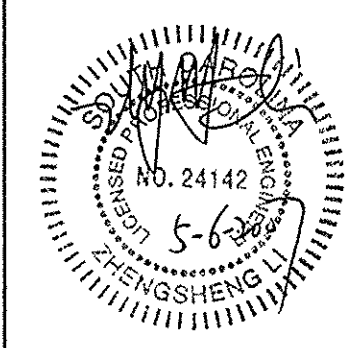
SECTION 129
1"=1'-0"

SECTION 130
1"=1'-0"

SECTION 131
3/4"=1'-0"

SECTION 132
1"=1'-0"

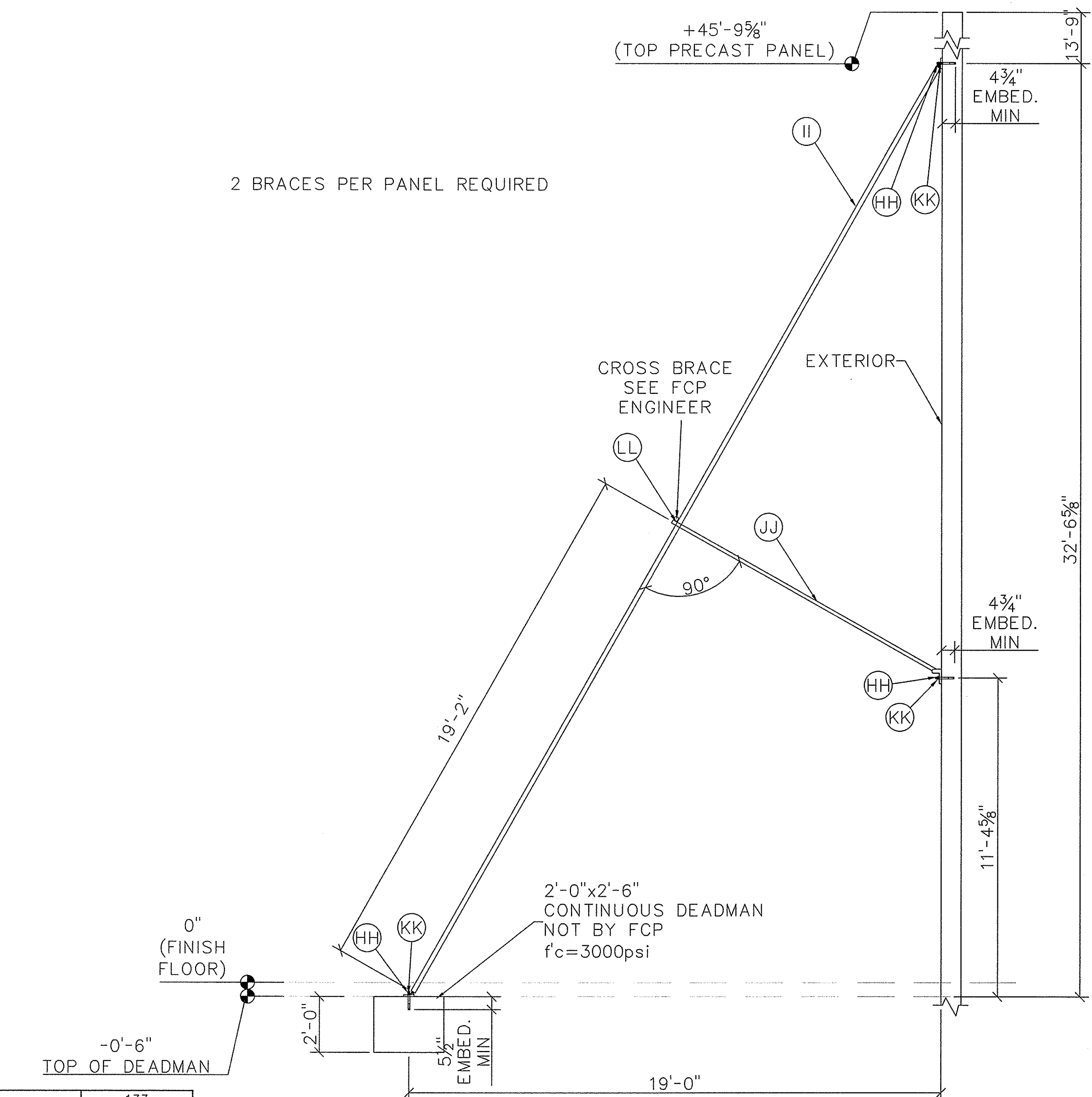
FLORENCE CONCRETE PRODUCTS, INC.
ARCHITECTURAL & STRUCTURAL PRECAST CONCRETE
865 INDUSTRIAL ROAD, SUMTER, SC 29150
PHONE: (803) 775-4372 FAX: (803) 775-8569



CUSTOMER: PALMETTO CONSTRUCTION GROUP
PROJECT NAME & ADDRESS: SUMMERVILLE TOWN HALL PARKING GARAGE
SUMMERVILLE, SC
SECTIONS AND DETAILS
DRAWN BY: PHK
CHECKED BY: [Signature]
DATE: 01/10/07
SCALE:

SHEET: 32 of 33
PROJECT #: 3279
DRAWING NUMBER:

2 BRACES PER PANEL REQUIRED



SECTION 133 1 1/2"=1'-0"

SECTION 136 1"=1'-0"

SECTION 137 1"=1'-0"

SECTION 134 3/4"=1'-0"

SECTION 138 1"=1'-0"

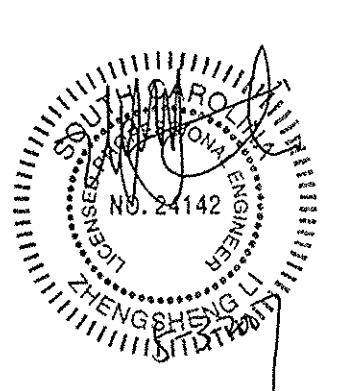
SECTION 135 1"=1'-0"

SECTION 139 1"=1'-0"

ITEM	CAST IN MATERIAL FURNISHED BY F.C.P.	FINISH	ITEM	ERECTION MATERIAL FURNISHED BY F.C.P.	FINISH
1	MP01 PL 3/8"x6"x8" w/(4)3/8"φx4" HAS & (2)#4x1'-9"	HDG	A	ME01 A36 ANCHOR BOLT 1 1/4"φx23" w/1 1/4"HHN & PL. 1/2"x4"x4"	NONE
2	MP02 PL 3/8"x6"x6" w/(4)3/8"φx4" HAS	HDG	B	ME08 PL 3/8"x6"x6" w/(4)3/8"φx4" HAS	HDG
3	MP03 PL 1 1/4"x1'-3 7/8"x1'-11 7/8" w/(4)ANGLES 6"x6"x3/8"x6" & (8)#6x4'-0"	HDG	C	ME02A PL 1/2"x9"x1'-2" w/(4)#5x1'-3" & (4)PL 1/2"x2"x2"	HDG
4	MP04 PL 3/8"x6"x6" w/(4)3/8"φx4" HAS & (2)#4x2'-6"	HDG	D	2"x6"x6" SHIM PACK	NONE
5	MP05 ANGLE 8"x8"x1/2"x7" w/(8)3/8"φx4" HAS & (4)#5x3'-6"	SCP	E	ME02 PL 1/2"x9"x1'-2" w/(4)#5x1'-8" & (4)PL 1/2"x2"x2"	HDG
6	MP06 ANGLE 8"x8"x1/2"x7" w/(4)3/8"φx4" HAS & (4)#5x3'-6"	SCP	F	1"x4"x4" SHIM PACK	NONE
7	MP07 ANGLE 6"x6"x1/2"x7" w/(8)3/8"φx4" HAS & (4)#5x3'-6"	SCP	G	ME03 PL 1/2"x9"x1'-2" w/(4)#5x2'-6"	HDG
8	MP29 ADD ON CORBEL ASSEMBLY w/MP08 & MP09	HDG	H	PL 1/2"x5"x7"	SCP
9	MP29A ADD ON CORBEL ASSEMBLY w/MP08A & MP09A	HDG	I	PL 3/8"x4"x6"	HDG
10	MP10 PL 3/8"x6"x7 1/4" w/(1)1/2"φx12" DBA & (1)#7x6'-0"	HDG	J	PL 3/8"x4"x8"	HDG
11	MP11 PL 3/8"x6"x8 1/4" w/(1)1/2"φx12" DBA & (1)#7x6'-0"	HDG	K	3/8"x4"xCONT. MASTICORD BEARING PAD	NONE
12	MP12 PL 3/8"x6"x7 1/4" w/(1)1/2"φx10" DBA & (1)#7x6'-0"	HDG	L	PL 1/2"x4 1/2"x7"	HDG
13	MP13 PL 3/8"x6"x6" w/(4)1/4"φx1" HAS & (2)#4x2'-0"	HDG	M	ME08 1/4"x2"x2" PLATE WASHER w/ 7/8" HOLE	SCP
14	MP14 PL 1/2"x7"x8" w/(4)1/2"φx6" HAS & (2)#5x3'-0"	HDG	N	1/2"x5"xCONT. KOROLATH BEARING PAD	NONE
15	MP15 PL 1/2"x6"x6" w/(2)1/2"φx12" DBA & (2)#5x3'-0"	HDG	O	PL 3/8"x4"x12"	HDG
16	MP30 C6x8.2 CHANNEL FRAME w/1/2"φx6" HAS STAGGERED @ 0'-4" O/C	HDG	P		
17	JVI MINI-V	SS	Q	2"φ PIPE (2 3/8" OD)x6"	SCP
18	JVI VECTOR CONNECTOR	SS	R	5/8"x3/8"x5" SQUARE BAR A304	SS
19	MP16 PL 1/2"x6"x6" w/(2)1/2"φx7" DBA & (2)#5x3'-0"	HDG	S	ANGLE 6"x6"x1/2"xCONT.	HDG
20	MP17 PL 3/8"x6"x8" w/(4)3/8"φx4" HAS	HDG	T	1/2"x5"x5" MASTICORD BEARING PAD	NONE
21	MP18 PL 3/4"x1'-1 1/2"x8" w/(4)#6x4'-6" & (4)#5x1'-10"	HDG	U	3/8"x3/8"x4" SQUARE BAR A304	SS
22	MP19 PL 3/8"x6"x1'-0" w/(8)1/2"φx18" DBA	HDG	V	1"x1"x4" SQUARE BAR A36	HDG
23	MP20 PL 3/8"x6"x8" w/(6)1/2"φx18" DBA	HDG	W	ANGLE 4"x6"x3/8"x4"	HDG
24	#7 BENT BAR	NONE	X		
25	1 1/2"x5" PVC SLEEVE	NONE	Y	HILTI HAS-E 3/4"φx10 (ITEM# 333201)	NONE
26	MP21 PL. 1/2"x6"x6" w/(4)1/2"φx5" HAS & 3/4"φ DR B25 COIL NUT	HDG	Z	ANGLE 1/4"x4"x4"	NONE
27	MP27 ADD ON CORBEL ASSEMBLY w/MP22 & MP24	HDG			
28	MP27A ADD ON CORBEL ASSEMBLY w/MP23 & MP24	HDG	BB	1/2"x4"x4" MASTICORD BEARING PAD	NONE
29	DAYTON SUPERIOR B16 3/4"φx4" COIL LOOP INSERT w/T21 PLASTIC PLUG	NONE	CC	1/2"x6"x10" MASTICORD BEARING PAD	NONE
30	4"x6" PLASTIC DT BLOCKOUT	NONE	DD	3/4"x3/4"x4" SQUARE BAR A36	HDG
31	1"φx6" PVC	NONE	EE	#5 BENT BAR x 1'-3"	NONE
32	MP28 3/8"x5 1/2"x8 1/4" w/(1)1/2"φx12" DBA & (1)#7x6'-0"	HDG	FF	HILTI HY150 EPOXY	NONE
33	MP25 PLUG IN HAUNCH ASSEMBLY w/MP26	NONE	GG	1/2"x4"x4" SHIM PACK	NONE
34	MP25A PLUG IN HAUNCH ASSEMBLY w/MP26A	NONE	HH	3/4"φx7" LG HILTI KWIK BOLT III	NONE
35	MP25B PLUG IN HAUNCH ASSEMBLY w/MP26B	NONE	II	D/R B-5 HEAVY DUTY LONG PIPE BRACEx38"-4"	NONE
36	3"φx8" LONG METAL SLEEVE	NONE	JJ	D/R T-16 1 1/2"φ PIPE KNEE BRACEx10'-6"	NONE
37	MP18A PL 3/4"x1'-1 1/2"x8" w/(4)#7x4'-6" & (4)#5x1'-10 3/4"	HDG	KK	ME05 1/4"x3"x3" PLATE WASHER w/ 7/8"φ HOLE	SCP
38	MP31 PL 1/2"x1'-0"x8 1/4" w/(3)7/8"x4'-6" & (3)1/2"φx1'-0" DBA	HDG	LL	D/R T-17 SWIVEL COUPLER	NONE
39	MP32 ANGLE 4"x2"x1/4"x8" w/(2)1/2"φx18" DBA & (2)1/4"φx1" HAS	HDG	MM	ME06 1/2"x4"x4" w/1"φ MASTICORD PAD	NONE
40	MP27B ADD ON CORBEL ASSEMBLY w/MP37 & MP24	HDG	NN	ME07 PL. 1/2"x4"x4" w/7/8"φ HOLE	HDG
41	MP35 PL. 3/8"x6"x12" w/(5)3/8"φx3" HAS & #7x6'-0"	HDG	OO	D/R 3/4"φ B25 COIL NUT	NONE
42	MP36 PL. 1/2"x6"x14" w/(6)3/8"φx4" HAS	HDG	PP	3/4"φx9 1/2" COIL ROD	NONE
43	MP03A PL. 1 3/4"x1'-3 7/8"x1'-11 1/2" w/(4)ANGLES 6"x6"x3/8"x6" w/(8)#6x4'-0"	HDG	QQ	BENT PL 1/4"xVARIESxCONT	HDG
44	MP27C ADD ON CORBEL ASSEMBLY w/MP22A & MP24A	HDG	RR	PL 3/8"x4"xCONT	HDG

NO.	DATE	REVISION RECORD
1	01/15/07	SUBMITTED FOR APPROVAL
2	05/02/7	RELEASED FOR CONSTRUCTION
3		
4		
5		
6		
7		
8		

FLORENCE CONCRETE PRODUCTS, INC.
 ARCHITECTURAL & STRUCTURAL PRECAST CONCRETE
 865 INDUSTRIAL ROAD, SUMTER, SC 29150
 PHONE: (803) 775-4372 FAX: (803) 775-8569



CUSTOMER: PALMETTO CONSTRUCTION GROUP
 PROJECT NAME & ADDRESS: SUMMERVILLE TOWN HALL PARKING GARAGE SUMMERVILLE, SC
 SECTIONS AND DETAILS
 DRAWN BY: PHK
 CHECKED BY: [Signature]
 DATE: 01/10/07
 SHEET #: 33 of 33
 PROJECT #: 3279
 DRAWING NUMBER: E31