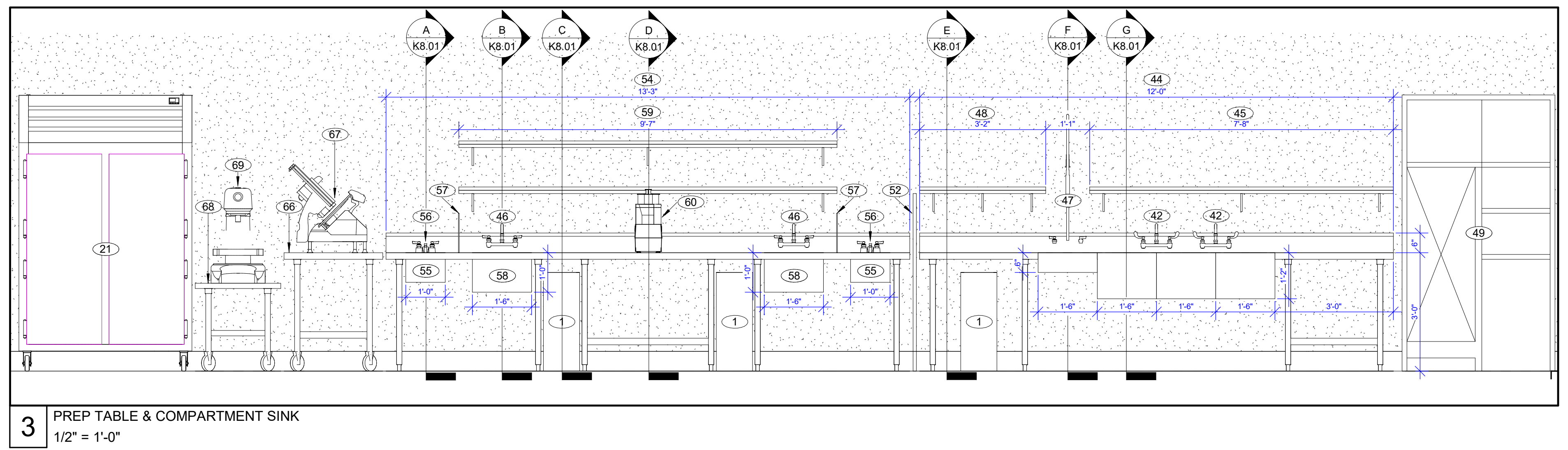
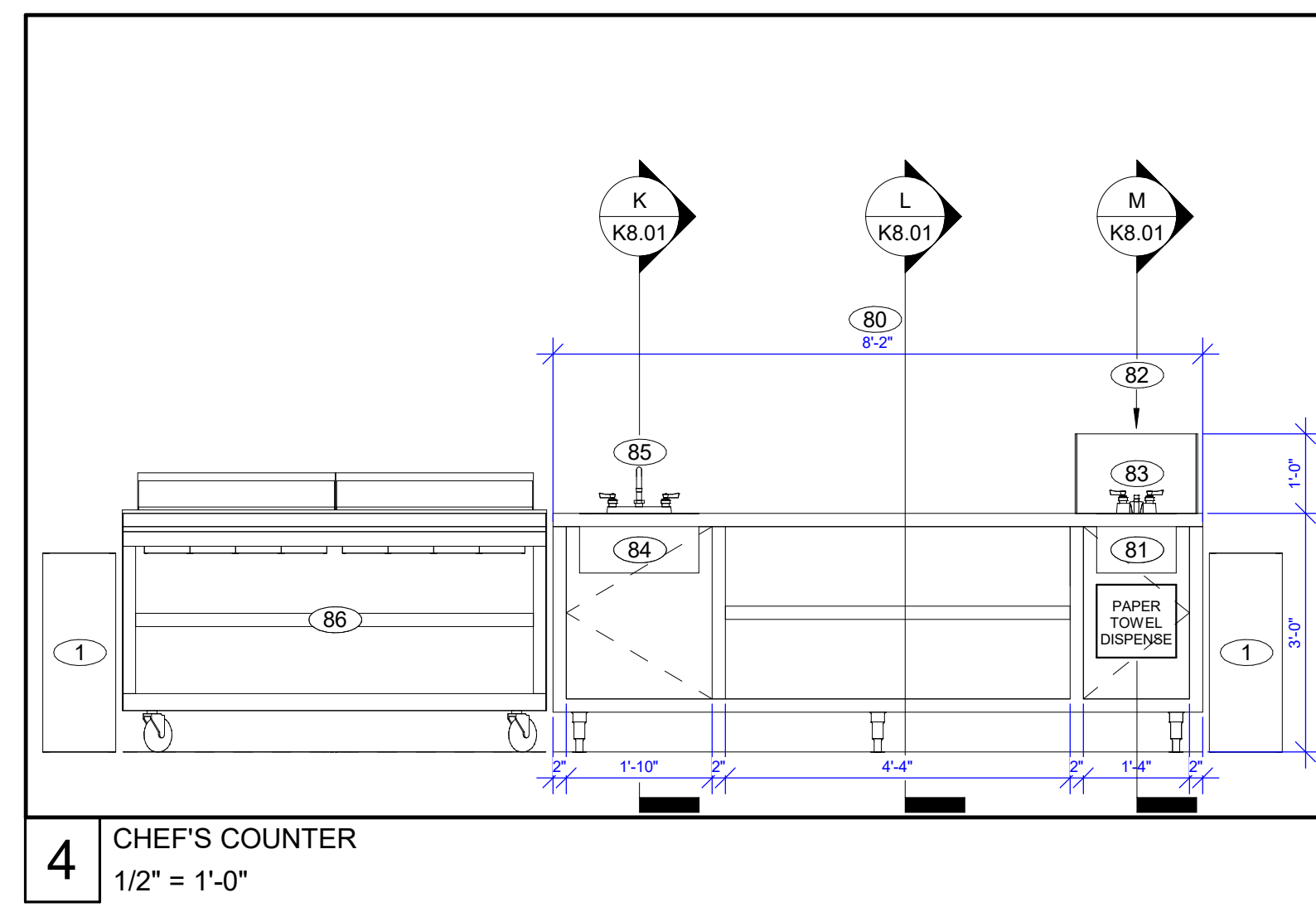
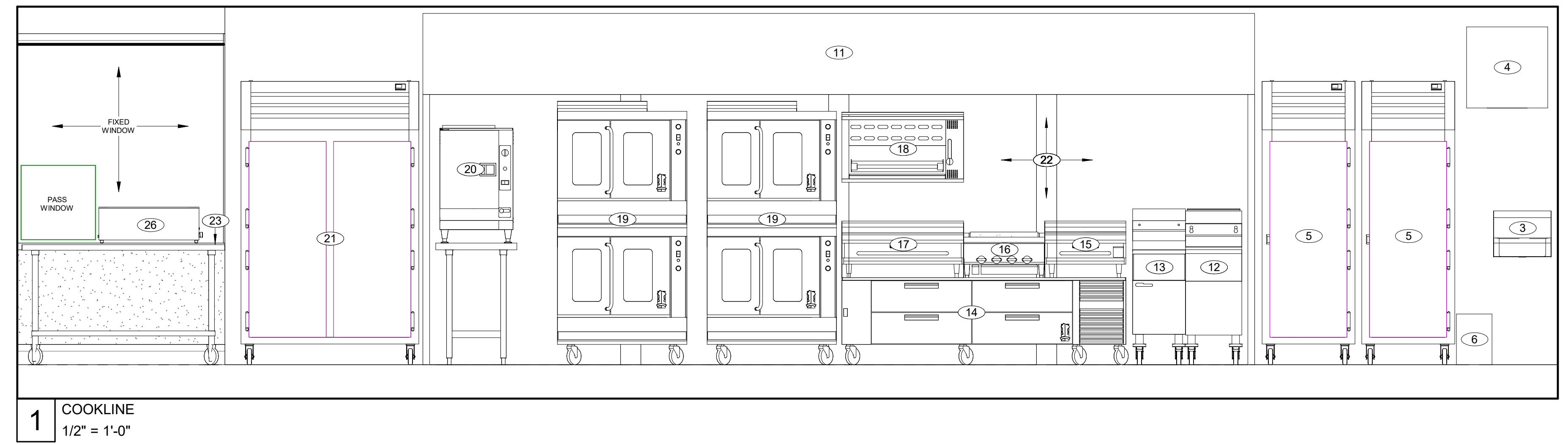
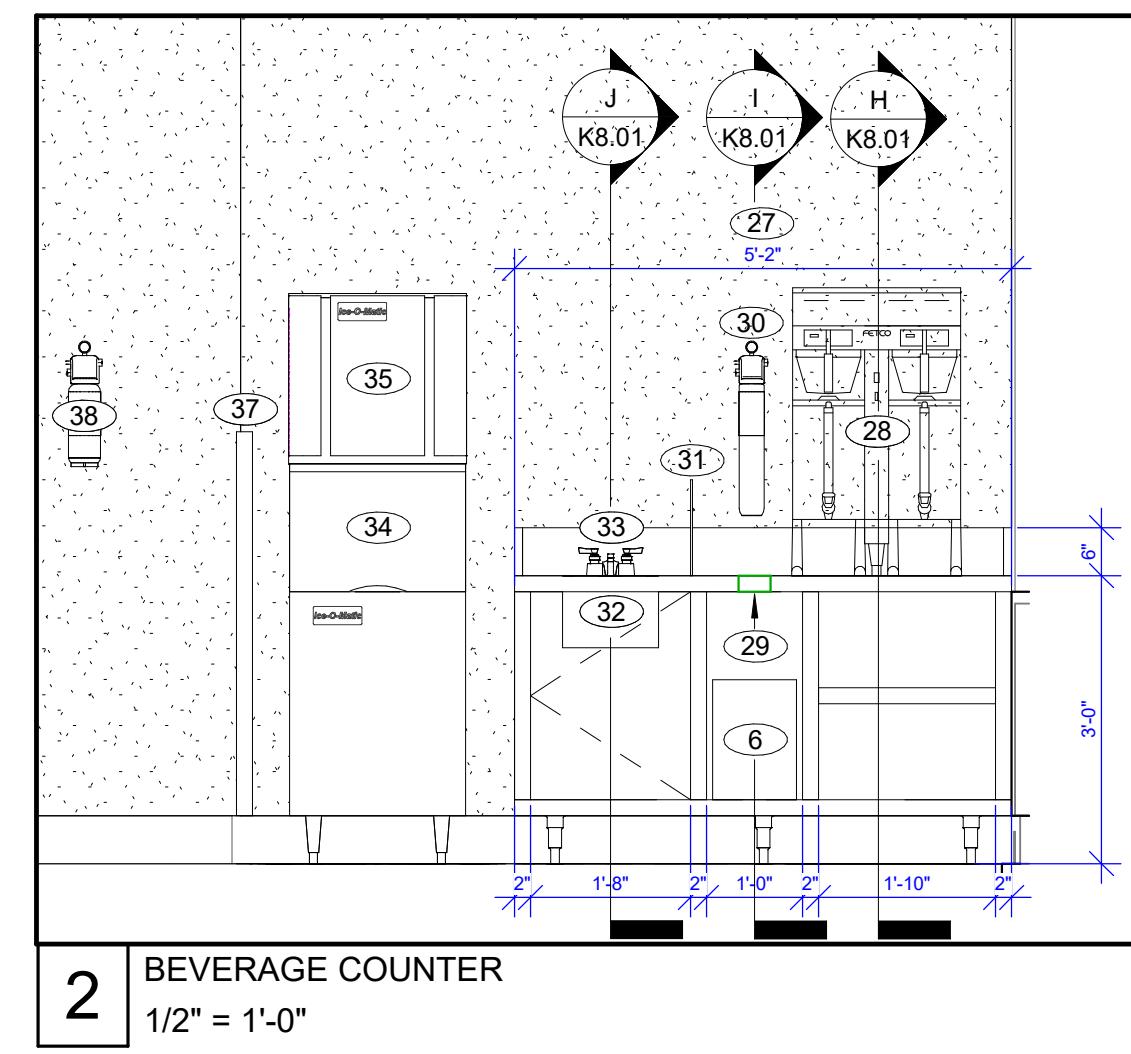


THESE DRAWINGS AND SPECIFICATIONS ARE THE PROPERTY AND COPYRIGHT OF KITCHEN PROFESSIONALS AND SHALL NOT BE USED ON ANY OTHER WORK EXCEPT BY THE AGREEMENT WITH KITCHEN PROFESSIONALS.

TWENTYNINE PALMS
 COMMUNITY CENTER
 TWENTY NINE PALMS, CA



#	Description	Date
1	CD SUBMITTAL	02/25/21

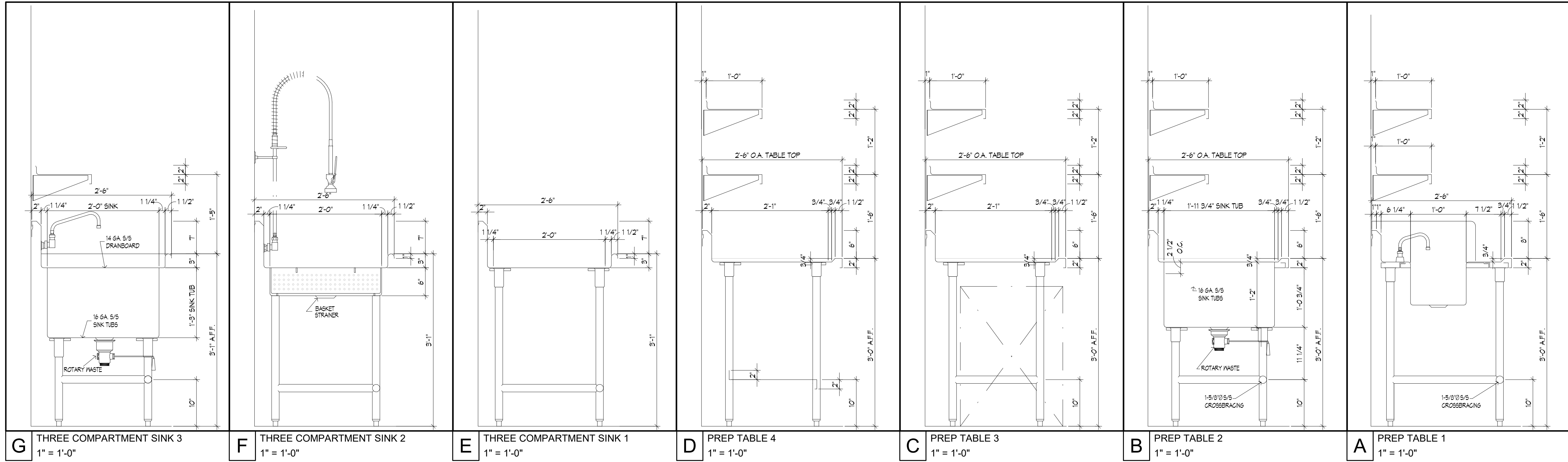
NOT FOR CONSTRUCTION

EQUIPMENT ELEVATIONS

K7.01

Date: 1/06/21
 Scale: 1/2" = 1'-0"

THESE DRAWINGS AND SPECIFICATIONS ARE THE PROPERTY AND COPYRIGHT OF KITCHEN PROFESSIONALS AND SHALL NOT BE USED ON ANY OTHER WORK EXCEPT BY THE AGREEMENT WITH KITCHEN PROFESSIONALS.



G THREE COMPARTMENT SINK 3
1" = 1'-0"

F THREE COMPARTMENT SINK 2
1" = 1'-0"

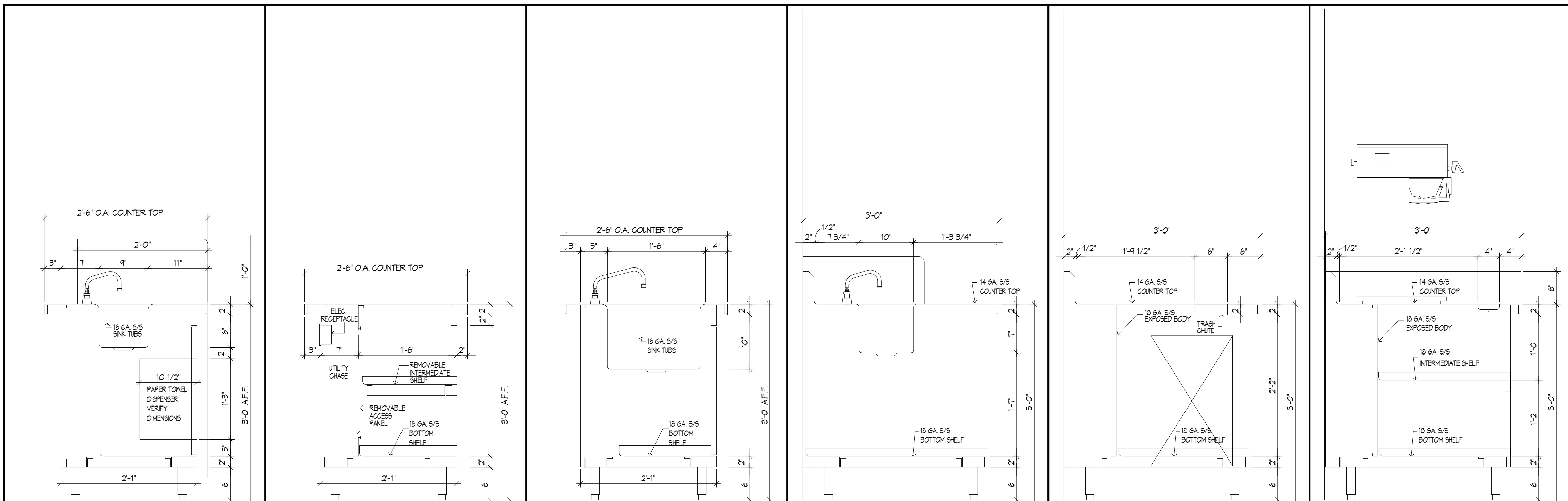
E THREE COMPARTMENT SINK 1
1" = 1'-0"

D PREP TABLE 4
1" = 1'-0"

C PREP TABLE 3
1" = 1'-0"

B PREP TABLE 2
1" = 1'-0"

A PREP TABLE 1
1" = 1'-0"



M CHEF'S COUNTER 3
1" = 1'-0"

L CHEF'S COUNTER 2
1" = 1'-0"

K CHEF'S COUNTER 1
1" = 1'-0"

J BEVERAGE COUNTER 3
1" = 1'-0"

I BEVERAGE COUNTER 2
1" = 1'-0"

H BEVERAGE COUNTER 1
1" = 1'-0"

TWENTYNINE PALMS
COMMUNITY CENTER
TWENTY NINE PALMS, CA

#	Description	Date
1	CD SUBMITTAL	02/25/21

NOT FOR CONSTRUCTION

**SECTION
DETAIL**

K8.01

Date 1/06/21
Scale 1" = 1'-0"