

NORDHOFF HIGH SCHOOL ROOFING PROJECT NO. 2019-1713

OJAI UNIFIED SCHOOL DISTRICT



Roesling Nakamura
Terada Architects

285 N Ventura Ave #102
Ventura, CA 93001
F805.626.5350
www.RNTArchitects.com



OJAI UNIFIED SCHOOL DISTRICT

NORDHOFF HIGH SCHOOL ROOFING PROJECT

1401 MARICOPA HWY,
OJAI, CA 93023

100% CDs

No.	Description	Date

Sheet Name

TITLE SHEET

17761.11


Date 01/10/2019

Drawn by CLD

Checked by CY

Sheet Number

G-000



ABBREVIATIONS	
Ø	DIAMETER
&	AND
CL OR C	CENTERLINE
#	POUND OR NUMBER
A.B.	ANCHOR BOLT
ABV.	ABOVE
ACP	ACOUSTICAL CEILING PANEL
A.D.	AREA DRAIN
ADJ.	ADJUSTABLE
A.F.F.	ABOVE FINISH FLOOR
A.F.G.	ABOVE FINISH GRADE
ALUM.	ALUMINUM
BLDG.	BUILDING
BLKG.	BLOCKING
BM.	BEAM
B.O.B.	BOTTOM OF BEAM
BOT.	BOTTOM
BTWN.	BETWEEN
CAB.	CABINET
CALIF.	CALIFORNIA
C.F.O.I	CONTRACTOR FURNISHED OWNER INSTALLED
C.I.P.	CAST IN PLACE
CJ	CONSTRUCTION JOINT
C.J.	CONTROL JOINT
C.L.	CHAIN LINK
CLG.	CEILING
CLR.	CLEAR
CMU	CONCRETE MASONRY UNIT
C.O.	CLEAN OUT
C.O.C.	CENTER OF COLUMN
COL.	COLUMN
COMP.	COMPOSITION
CONC.	CONCRETE
CONSTR.	CONSTRUCTION
CONT.	CONTINUOUS
C.T.	CERAMIC TILE
DBL.	DOUBLE
DF	DOUGLAS FIR
D.F.	DRINKING FOUNTAIN
DFCI	DISTRICT FURNISHED CONTRACTOR INSTALL
DIA.	DIAMETER
DIM.	DIMENSION
DN	DOWN
DR.	DOOR
DWG	DRAWING
(E)	EXISTING
EA	EACH
EJ	EXPANSION JOINT
ELECT.	ELECTRICAL
ELEV.	ELEVATION
EQ	EQUAL
EQUIP.	EQUIPMENT
EXIST.	EXISTING
EXT.	EXTERIOR
FD	FLOOR DRAIN
FDN.	FOUNDATION
F.E.	FIRE EXTINGUISHER
F.E.C.	FIRE EXTINGUISHER CABINET
F.F.	FINISH FLOOR
FIN.	FINISH
FLR.	FLOOR
F.O.C.	FACE OF CONCRETE
F.O.F.	FACE OF FINISH
F.O.S.	FACE OF STRUCTURE
FRAM'G	FRAMING
FRP	FIBERGLASS REINFORCED PANEL
FT.	FOOT OR FEET
FTG.	FOOTING
F.V.	FIELD VERIFY
GA.	GAUGE
GALV.	GALVANIZED
GWB	GYPSUM WALL BOARD
GYP. BD.	GYPSUM BOARD
HDG	HOT DIP GALV
HDR.	HEADER
HORIZ.	HORIZONTAL
H.M.	HOLLOW METAL
HR.	HOURLY
HT.	HEIGHT
INSUL.	INSULATION
INT.	INTERIOR
JT.	JOINT
LAM.	LAMINATE
LAV.	LAVATORY
LT.	LIGHT
MFR.	MANUFACTURER
MATR'L	MATERIAL
MAX.	MAXIMUM
M.B.	MACHINE BOLT
MECH.	MECHANICAL
MIN.	MINIMUM
MISC.	MISCELLANEOUS
M.R.	MOISTURE RESISTANT
MTL.	METAL
(N)	NEW
N.I.C.	NOT IN CONTRACT
NO. OR #	NUMBER
N.T.S.	NOT TO SCALE
O/	OVER
O.C.	ON CENTER
O.F.C.I.	OWNER FURNISHED CONTRACTOR INSTALLED
O.F.O.I.	OWNER FURNISHED OWNER INSTALLED
OPP.	OPPOSITE
PB	PULL BOX
PERF.	PERFORATED
PL.	PLATE OR PLASTIC
PLAST.	PLASTER
PLYWD.	PLYWOOD
PR.	PAIR
PROJ.	PROJECTION
P.T.D.F.	PRESSURE TREATED DOUGLAS FIR
R OR RAD	RADIUS
REFL.	REFLECTED
REFRIG.	REFRIGERATOR
REINF.	REINFORCED OR REINFORCEMENT
REQ.	REQUIRED OR REQUIREMENTS
RM.	ROOM
S.C.	SOLID CORE
SCHED.	SCHEDULE
SHT'G	SHEATHING
SHT.	SHEET
SIM.	SIMILAR
SJ	SAWCUT JOINT
S.M.S.	SHEET METAL SCREWS
SQ.	SQUARE
S.S.	STAINLESS STEEL
ST.	STANDARD
STL.	STEEL
STOR.	STORAGE
STRUCT.	STRUCTURAL
SUSP.	SUSPENDED
T&B	TOP & BOTTOM
TEMP.	TEMPERED
T.O.	TOP OF
T.O.B.	TOP OF BEAM
TS	TUBE STEEL
T.W.	TOP OF WALL
TYP.	TYPICAL
U.N.O.	UNLESS NOTED OTHERWISE
U.O.N.	UNLESS OTHERWISE NOTED
V.C.T.	VINYL COMPOSITION TILE
VERT.	VERTICAL
V.G.D.F.	VERTICAL GRAIN DOUGLAS FIR
V.I.F.	VERIFY IN FIELD
W/	WITH
WD.	WOOD
W.O.	WHERE OCCURS
W.P.	WATERPROOF
W.R.	WATER RESISTANT
WT.	WEIGHT

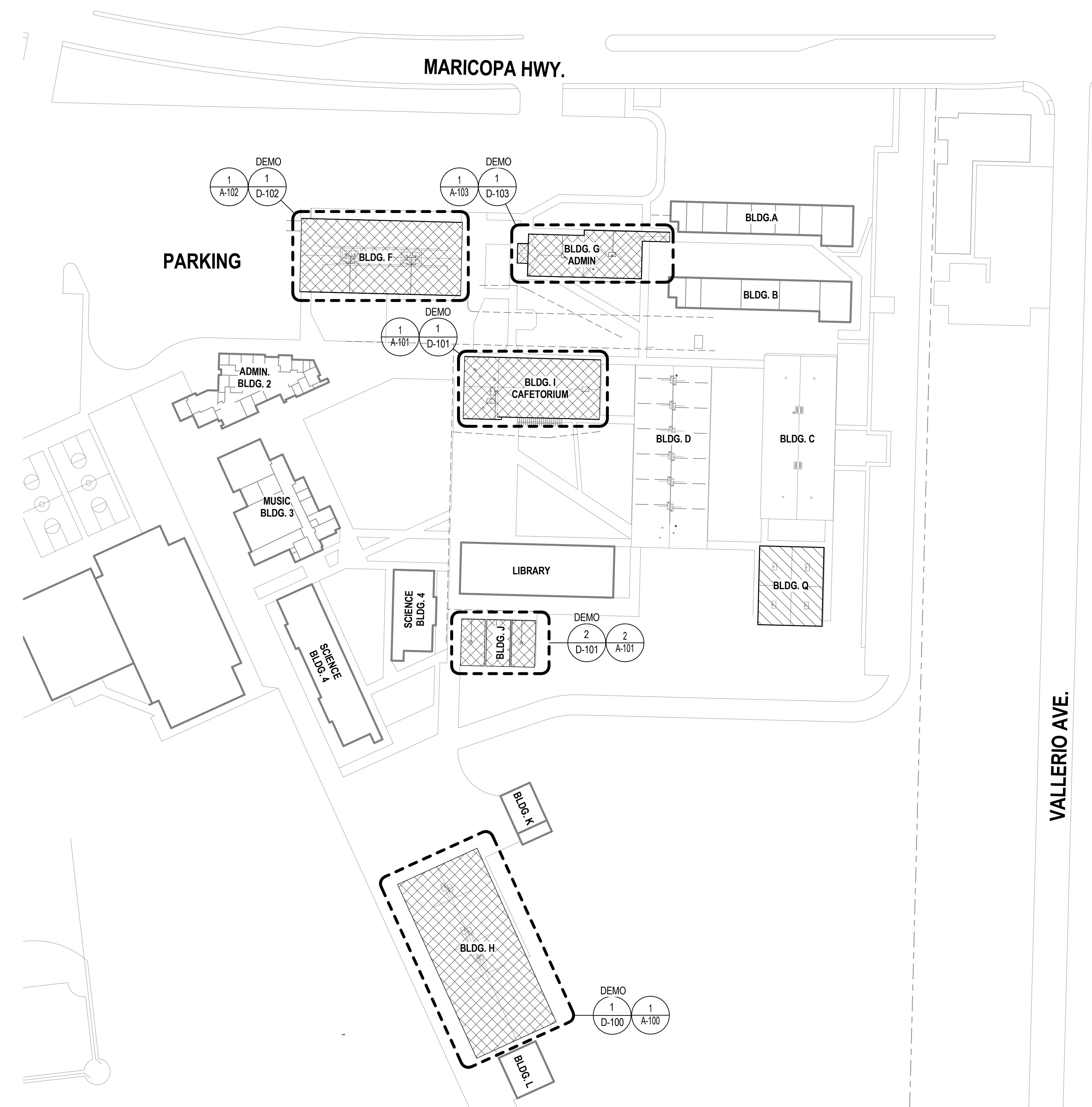
DEMOLITION NOTES	
1.	IDENTIFY ALL DAMAGED ELEMENTS DESIGNATED TO REMAIN OR BE RELOCATED. REQUEST CLARIFICATION FROM THE ARCHITECT BEFORE PROCEEDING WITH DEMOLITION WORK.
2.	GENERAL CONTRACTOR IS RESPONSIBLE FOR REVIEWING AND VERIFYING DEMOLITION PLANS IN RELATION TO STRUCTURAL AND CONSTRUCTION DRAWINGS. CONTRACTOR SHALL VERIFY AND COORDINATE THE EXTENT OF DEMOLITION WORK WITH NEW WORK. THE ARCHITECT SHALL BE NOTIFIED OF ANY AND ALL CONFLICTS, DISCREPANCIES OR PROBLEMS.
3.	THE CONTRACTOR SHALL VERIFY LOCATION OF ALL UTILITIES PRIOR TO DEMOLITION. THE CONTRACTOR SHALL BEWARE OF POTENTIAL HAZARDS FROM DEMOLITION WORK NEAR UTILITIES. PIPES AND CONDUIT ENCOUNTERED IN DEMOLISHED PARTITIONS AND AREAS WHICH ARE TO REMAIN IN USE SHALL BE RE-ROUTED AND CONCEALED. THOSE WHICH ARE TO BE ABANDONED SHALL BE CAPPED AND CONCEALED IN FLOOR, WALL OR CEILING.
4.	THE GENERAL CONTRACTOR SHALL ERECT ALL NECESSARY TEMPORARY SOLID AND/OR PLASTIC DROP CLOTH PARTITIONS TO PROTECT AREAS TO REMAIN WHILE DEMOLITION AND CONSTRUCTION ARE IN PROGRESS.
5.	BRACE AND SUPPORT EXISTING WORK PRIOR TO AND DURING DEMOLITION AND NEW WORK, AND UNTIL SAFE TO REMOVE SUCH BRACING AND SUPPORTS. THE CONTRACTOR IS RESPONSIBLE FOR ALL STRUCTURAL SHORING DESIGN AND CALCULATIONS.
6.	THE CONTRACTOR SHALL PERFORM ALL DEMOLITION WORK REQUIRED INCLUDING THE REMOVAL AND PROPER DISPOSAL OF ALL DEBRIS, BROKEN CONCRETE, ETC., FROM THE SITE. PROPER SHORING SHALL BE EXECUTED FOR THE SAFETY OF THE STRUCTURE AND WORKMEN.
7.	THE OWNER SHALL HAVE FIRST RIGHTS OF REFUSAL FOR ALL DEMOLISHED MATERIALS.
8.	THE CONTRACTOR SHALL BE RESPONSIBLE FOR ALL DAMAGE RESULTING FROM DEMOLITION AT NO ADDITIONAL COST TO THE OWNER. THE GENERAL CONTRACTOR SHALL BE EXTREMELY CAREFUL TO PROTECT AND NOT TO DAMAGE ANY PORTION OF EXISTING INSTALLATION NOT BEING REMOVED. ANY EXISTING FACILITIES INDICATED TO REMAIN WHICH ARE SO DAMAGED SHALL BE REPLACED EQUAL TO ORIGINAL CONDITION AND TO THE SATISFACTION OF THE OWNER.
9.	CUT EXISTING PORTIONS OF WALLS, FLOORS, CEILINGS, ETC., WHERE INDICATED AND AS NECESSARY FOR NEW WORK. UNLESS SPECIFICALLY SHOWN ON THESE PLANS, NO STRUCTURAL MEMBER SHALL BE CUT, NEITHER DRILLED NOR NOTCHED, WITHOUT PRIOR WRITTEN AUTHORIZATION FROM THE STRUCTURAL ENGINEER, THE ARCHITECT AND THE AUTHORITY HAVING JURISDICTION.
10.	ALL TRADES CONCERNED SHALL COORDINATE EACH OTHER'S WORKS PRIOR TO AND DURING DEMOLITION.
11.	ANY PROJECTING OR SURFACE-MOUNTED ITEMS BEING ABANDONED SHALL BE REMOVED, CAPPED AND CONCEALED BEHIND FINISHED SURFACES, UNLESS OTHERWISE NOTED. PATCH AND FINISH TO MATCH EXISTING ADJACENT SURFACE.
12.	SURFACES WHERE MATERIAL IS REMOVED TO INSTALL NEW WORK OR TO RECEIVE NEW FINISH SHALL BE REPAIRED AND PATCHED TO MATCH ORIGINAL CONDITIONS. RETEXTURE AND REPAINT WALL OR CEILING WHERE PATCHED TO MATCH EXISTING, WITH NO EVIDENCE THAT PATCH HAS OCCURRED.
13.	ALL EXISTING AREAS TO REMAIN OR NEW CONSTRUCTION WORK THAT ARE DAMAGED SHALL BE PATCHED AS REQUIRED TO MATCH EXISTING ADJACENT AREA IN MATERIAL, FINISH AND COLOR, UNLESS OTHERWISE NOTED.
14.	ALL EQUIPMENT AND MATERIAL WHICH ARE IN OPERATING CONDITION WHEN REMOVED SHALL BE MAINTAINED AS SUCH AND RETURNED TO THE OWNER OR TO BE REINSTALLED WHERE INDICATED. PROPERLY RECONNECT EQUIPMENT TO RESUME OPERATION.

GENERAL NOTES	
1.	THE PROJECT MANUAL ISSUED AS PART OF THESE CONSTRUCTION DOCUMENTS IS AN INTEGRAL PART OF THE CONTRACT DOCUMENTS.
2.	THE CONTRACTOR SHALL BE RESPONSIBLE FOR MAINTAINING THAT ALL WORKMANSHIP, MATERIALS AND CONSTRUCTION SHALL BE IN COMPLIANCE WITH THE APPLICABLE CODES AND FEDERAL REQUIREMENTS AND REGULATIONS.
3.	THE CONTRACTOR SHALL VISIT THE SITE AND VERIFY ALL DIMENSIONS PRIOR TO SUBMITTING A BID. THE CONTRACTOR IS ALSO RESPONSIBLE FOR OBTAINING ALL REQUIRED PERMITS.
4.	THE CONTRACTOR SHALL VERIFY ALL EXISTING CONDITIONS, GRADES, ELEVATIONS AND DIMENSIONS BEFORE STARTING WORK. THE ARCHITECT SHALL BE NOTIFIED IMMEDIATELY OF ANY DISCREPANCY OR INCONSISTENCY.
5.	THE CONTRACTOR SHALL DETERMINE THE LOCATION OF ALL EXISTING UTILITY SERVICES IN THE AREA TO BE EXCAVATED PRIOR TO THE BEGINNING OF EXCAVATION. THE CONTRACTOR SHALL PROTECT ALL UTILITY LINES AND SERVICE LINES TO REMAIN WHICH ARE ENCOUNTERED DURING CONSTRUCTION.
6.	THE CONTRACTOR SHALL BE RESPONSIBLE FOR THE ENFORCEMENT OF FEDERAL AND STATE OF CALIFORNIA OCCUPATIONAL SAFETY AND HEALTH ADMINISTRATION REQUIREMENTS AND REGULATIONS.
7.	DO NOT SCALE ANY DRAWINGS IN THIS SET.
8.	DIMENSIONS SHALL TAKE PRECEDENCE OVER SCALE SHOWN ON PLANS, SECTIONS AND DETAILS. SPECIFIC NOTES AND DETAILS SHALL TAKE PRECEDENCE OVER GENERAL NOTES AND TYPICAL DETAILS.
9.	ALL OMISSIONS AND CONFLICTS BETWEEN THE VARIOUS ELEMENTS OF THE WORKING DRAWINGS AND/OR SPECIFICATIONS SHALL BE BROUGHT TO THE ATTENTION OF THE ARCHITECT IMMEDIATELY BEFORE PROCEEDING WITH ANY WORK SO INVOLVED. NO CHANGES ARE TO BE MADE UNLESS THE ARCHITECT AND THE OWNER ARE NOTIFIED IN WRITING AND APPROVE SUCH A CHANGE ACCORDING TO THE CONTRACT.
10.	THE ARCHITECT IS NOT RESPONSIBLE FOR ASBESTOS ABATEMENT.
11.	TRADE NAMES AND MANUFACTURERS REFERRED TO ARE FOR QUALITY STANDARDS ONLY. SUBSTITUTIONS WILL BE PERMITTED AS APPROVED BY THE OWNER AND THE ARCHITECT ONLY UPON SUBMITTAL, AND FOR A LIMITED PERIOD.
12.	ITEMS SHOWN AS N.I.C. ON PLANS MAY REQUIRE SEPARATE SUBMITTALS, APPROVALS AND PERMITS. INSTALLING CONTRACTOR IS RESPONSIBLE FOR OBTAINING PERMITS FOR SUCH ITEMS.
13.	CONTRACTOR SHALL ENSURE ALL FINISH MATERIALS WILL BE FLUSH WHERE NEW FINISH SURFACE MATERIALS JOIN EXISTING TO PROVIDE SMOOTH TRANSITION.
14.	CONTRACTOR ACKNOWLEDGES THAT DRAWINGS ARE DIAGRAMMATIC IN NATURE AND ARE TO REPRESENT THE INTENT OF THE WORK TO BE ACCOMPLISHED. CONTRACTOR IS TO INSTALL MATERIALS AND SYSTEMS WITH EXPERIENCED SKILLED CRAFTSMEN WHO WILL BE RESPONSIBLE FOR THE INTEGRITY OF THEIR RESPECTIVE WORK. NOT EVERY DETAIL OF EACH CONDITION IS DRAWN. CONTRACTOR AND SUB-CONTRACTOR ARE RESPONSIBLE FOR COMPLETE WORKMANLIKE INSTALLATION OF ALL MATERIALS AND SYSTEMS AND WILL NEED TO PROVIDE ADDITIONAL DETAILS FOR INSTALLATION BASED ON GENERAL INFORMATION SHOWN. FOR INSTANCE, NOT EVERY WATERPROOFING OR FLASHING DETAIL FOR EVERY CONDITION IS SHOWN. CONTRACTOR IS TO PROVIDE DETAILS AND INSTALLATION FOR A COMPLETE WATERTIGHT INSTALLATION.
15.	THE INTENT OF THESE DRAWINGS AND SPECIFICATIONS IS THAT THE WORK OF THE ALTERATION, REHABILITATION OR RECONSTRUCTION IS TO BE IN ACCORDANCE WITH TITLE 24, CALIFORNIA CODE OF REGULATIONS. SHOULD ANY EXISTING CONDITION NOT COVERED BY THE CONTRACT DOCUMENTS SUCH AS DETERIORATION OR NON-COMPLYING CONSTRUCTION BE DISCOVERED, DETAILS AND SPECIFICATIONS FOR THE REQUIRED WORK SHALL BE SUBMITTED TO AND APPROVED BY THE AUTHORITY HAVING JURISDICTION BEFORE PROCEEDING WITH THE WORK.
16.	DURING CONSTRUCTION PERIOD, CONSTRUCTION MATERIALS SHALL BE SPREAD OUT IF PLACED ON FRAMED FLOORS OR ROOF. THE LOAD SHALL NOT EXCEED THE DESIGN LIVE LOADS FOR EACH PARTICULAR LEVEL.

APPLICABLE CODES	
CONSTRUCTION SHALL COMPLY WITH THE FOLLOWING PARTS OF THE TITLE 24 OF THE CALIFORNIA CODE OF REGULATIONS (CCR):	
2016 CALIFORNIA BUILDING STANDARDS ADMINISTRATIVE CODE, C.C.R. TITLE 24 PART 1 AND 2	
2016 CALIFORNIA BUILDING CODE (CBC), PART 2, TITLE 24 C.C.R.	
2016 CALIFORNIA ELECTRICAL CODE (CEC), C.C.R. TITLE 24 PART 3	
2016 CALIFORNIA MECHANICAL CODE (CMC), C.C.R. TITLE 24 PART 4	
2016 CALIFORNIA PLUMBING CODE (CPC), C.C.R. TITLE 24 PART 5	
2016 CALIFORNIA ENERGY CODE, C.C.R. TITLE 24 PART 6	
2016 CALIFORNIA HISTORICAL CODE, C.C.R. TITLE 24 PART 8	
2016 CALIFORNIA FIRE CODE, C.C.R. TITLE 24 PART 9	
2016 CALIFORNIA EXISTING BUILDING CODE, C.C.R. TITLE 24 PART 10	
2016 CALIFORNIA GREEN BUILDING STANDARDS CODE, C.C.R. TITLE 24 PART 11	
2016 CALIFORNIA REFERENCED STANDARDS CODE, C.C.R. TITLE 24 PART 12 TITLE 19 C.C.R., PUBLIC SAFETY, STATE FIRE MARSHAL REGULATIONS	
APPLICABLE STANDARDS: 2016 CBC (FOR SFM) REFERENCED STANDARDS CHAPTER 35	
NFPA 13	AUTOMATIC SPRINKLER SYSTEMS (CALIF. AMENDED), 2016 EDITION
NFPA 17	DRY CHEMICAL EXTINGUISHING SYSTEMS, 2017 EDITION
NFPA 17A	WET CHEMICAL EXTINGUISHING SYSTEMS, 2017 EDITION
NFPA 24	PRIVATE FIRE SERVICE MAINS (CALIF. AMENDED), 2016 EDITION
NFPA 72	NATIONAL FIRE ALARM CODE (CALIF. AMENDED), 2016 EDITION
NFPA 253	CRITICAL RADIANT FLUX OF FLOOR COVERINGS, 2015 EDITION
NFPA 2001	CLEAN AGENT FIRE EXTINGUISHING SYSTEMS (CALIF. AMENDED), 2015 EDITION
LEGEND	
	PROPERTY LINE
	1:12 SLOPING SURFACE
	DETAIL NUMBER SHEET DETAIL APPEARS ON
	SECTION NUMBER SHEET SECTION APPEARS ON
	ELEVATION NUMBER SHEET SECTION APPEARS ON
	CONCRETE
	SOIL
	PLYWOOD
	STEEL
	WOOD BLOCKING
	WOOD CONTINUOUS MEMBER
	WORK POINT, CONNECTION POINT, DATUM POINT OR CONTROL POINT
	KEYNOTE
	DOOR NUMBER REFERENCE, REFER TO DOOR SCHEDULE
	WINDOW NUMBER REFERENCE, REFER TO WINDOW TYPES
	WALL TYPE REFERENCE, REFER TO AD101-AD106
	SIGN TYPE REFERENCE, REFER TO AD701
	TICK INDICATES DIMENSIONS TO FACE OF STUD, GRIDLINES OR FACE OF STRUCTURE
	DOT INDICATES DIMENSION TO CENTERLINE
	ARROW INDICATES DIMENSION TO F.O. FINISH OR CLEAR DIMENSION
	SPOT ELEVATION

SHEET INDEX	
G-000	TITLE SHEET
AS-100	SITE PLAN
D-100	BLDG H - ROOF DEMOLITION PLAN
D-101	BLDG I & J - ROOF DEMOLITION PLANS
D-102	BLDG F - ROOF DEMOLITION PLAN
D-103	BLDG G - ROOF DEMOLITION PLANS
A-100	BLDG H - ROOF PLAN
A-101	BLDG I & J - ROOF PLANS
A-102	BLDG F - ROOF PLAN
A-103	BLDG G - ROOF PLANS
AD-100	ROOF DETAILS - TYPICAL
AD-101	ROOF DETAILS - TYPICAL
PROJECT DIRECTORY	
CLIENT	OJAI UNIFIED SCHOOL DISTRICT 414 E. OJAI AVE OJAI, CA 93023 CONTACT: ADAM DUTTER P: (805) 640-4300
ARCHITECT	ROESLING NAKAMURA TERADA ARCHITECTS, INC. 285 N VENTURA AVE, SUITE 102 VENTURA, CA 93001 CONTACT: CATHERINE YOUNG P: (805) 626-5330
PROJECT DESCRIPTION	
REMOVE AND REPLACE ROOF OF:	
	BUILDING F
	BUILDING G
	BUILDING H
	BUILDING I
	BUILDING J
ROOF RESTORATION OF:	
	BUILDING Q (BUILT-UP ROOFING)
VICINITY MAP	

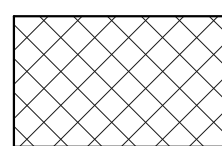
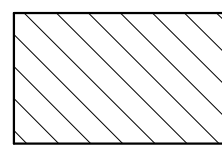
C:\Users\calderon\Documents\Nordhoff Roofing Project - 2019.rvt



SHEET GENERAL NOTES

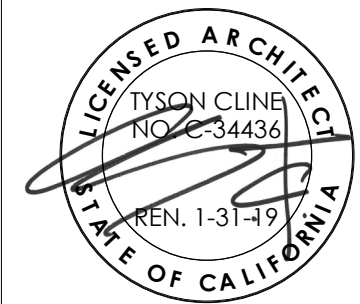
1. PROTECT ADJACENT STRUCTURES, EQUIPMENT, VEHICLES ETC. FROM OVERSPRAY

LEGEND

-  REMOVE AND REPLACE ROOF
-  ROOF RESTORATION (STANDING SEAM METAL ROOFING)



Roesling Nakamura
Terada Architects
285 N Ventura Ave #102
Ventura, CA 93001
P805.626.5330
F805.626.5350
www.RNTarchitects.com



**OJAI
UNIFIED
SCHOOL
DISTRICT**

**NORDHOFF
HIGH SCHOOL
ROOFING
PROJECT**

1401 MARICOPA HWY,
OJAI, CA 93023

100% CDs

No.	Description	Date

Sheet Name

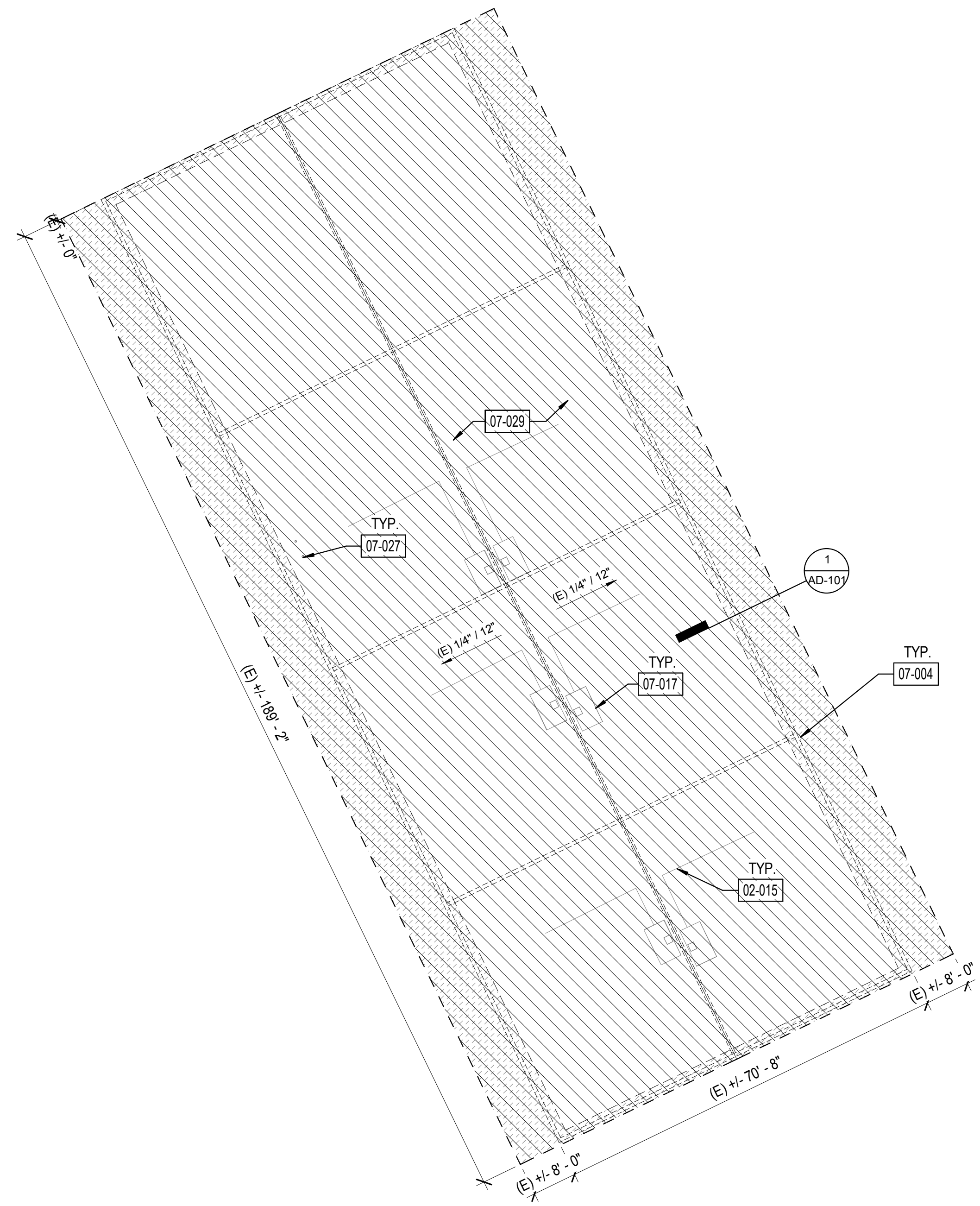
SITE PLAN

17761.11
Date 01/10/2019
Drawn by CLD
Checked by CY
Sheet Number

AS-100

① OVERALL SITE PLAN
1" = 60'-0"





1 ROOF DEMOLITION PLAN - BLDG H
 1/16" = 1'-0"



SHEET GENERAL NOTES

- EXISTING ROOF DEMOLITION REQUIRES REMOVAL OF ROOF MEMBRANE.
- AFTER REMOVAL OF ROOFING, THE ARCHITECT WILL REVIEW THE EXISTING PLYWOOD SUBSTRATE. IF PORTIONS OF PLYWOOD REQUIRE REPLACEMENT, THE ARCHITECT WILL IDENTIFY AND PROVIDE WRITTEN DIRECTION TO THE CONTRACTOR TO AUTHORIZE THE WORK. SUCH COSTS WILL BE APPLIED **AGAINST ALLOWANCE NO. 1**.
- EXISTING ROOFING MATERIALS SCHEDULED FOR DEMOLITION HAVE BEEN TESTED AND BEEN FOUND NOT TO CONTAIN ASBESTOS. THIS DOES NOT GUARANTEE THAT ALL ROOFING MATERIALS WILL BE FREE OF ASBESTOS. IF ASBESTOS IS FOUND, COMPLY WITH ALL LOCAL, STATE, AND FEDERAL REQUIREMENTS FOR ASBESTOS ABATEMENT. DO NOT CUT INTO EXISTING PLYWOOD ROOF SHEATHING DURING ROOFING DEMOLITION. ANY PLYWOOD CUT SHALL BE REPLACED AT THE CONTRACTOR'S EXPENSE.
- DETACH UTILITIES FROM SUPPORTS AND TEMPORARILY SUPPORT AS REQUIRED TO REMOVE AND REPLACE ROOFING.
- REMOVE ALL EXISTING ROOF JACKS AT PIPE OR CONDUIT PENETRATIONS AND PREP TO RECEIVE NEW SEALED PENETRATION PER DETAIL 6/AD-100.
- VERIFY ON FIELD LOCATION OF MECHANICAL EQUIPMENT AND TYPE OF UTILITY.

LEGEND

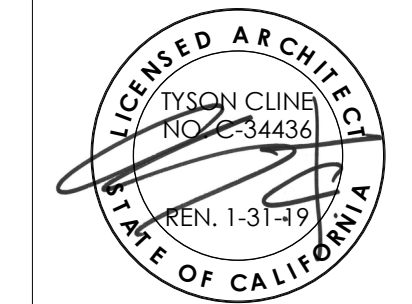
- REMOVE AND REPLACE ROOF
- ASSUMED ROOF SHEATHING REPLACEMENT AT EAVES/ EDGES
- (E) EXHAUST FAN
- (E) VENT PIPE THROUGH ROOF
- (E) SKYLIGHT
- ROOF VENT
- (E) WALL BELOW
- DEMOLISH (E) ITEM

KEYNOTE LEGEND

- 02-015 PROTECT IN PLACE (E) UTILITY LINE
- 07-004 LINE OF (E) WALL BELOW
- 07-017 PROTECT IN PLACE (E) HVAC UNIT, DETACH & TEMPORARILY SUPPORT UNIT AS REQUIRED FOR ROOFING WORK
- 07-027 PROTECT IN PLACE (E) ROOF VENT PIPE
- 07-029 DEMOLISH (E) ROOF



**Roesling Nakamura
 Terada Architects**
 285 N Ventura Ave #102
 Ventura, CA 93001
 805.626.5330
 805.626.5350
 www.RNTarchitects.com



**OJAI
 UNIFIED
 SCHOOL
 DISTRICT**

**NORDHOFF
 HIGH SCHOOL
 ROOFING
 PROJECT**

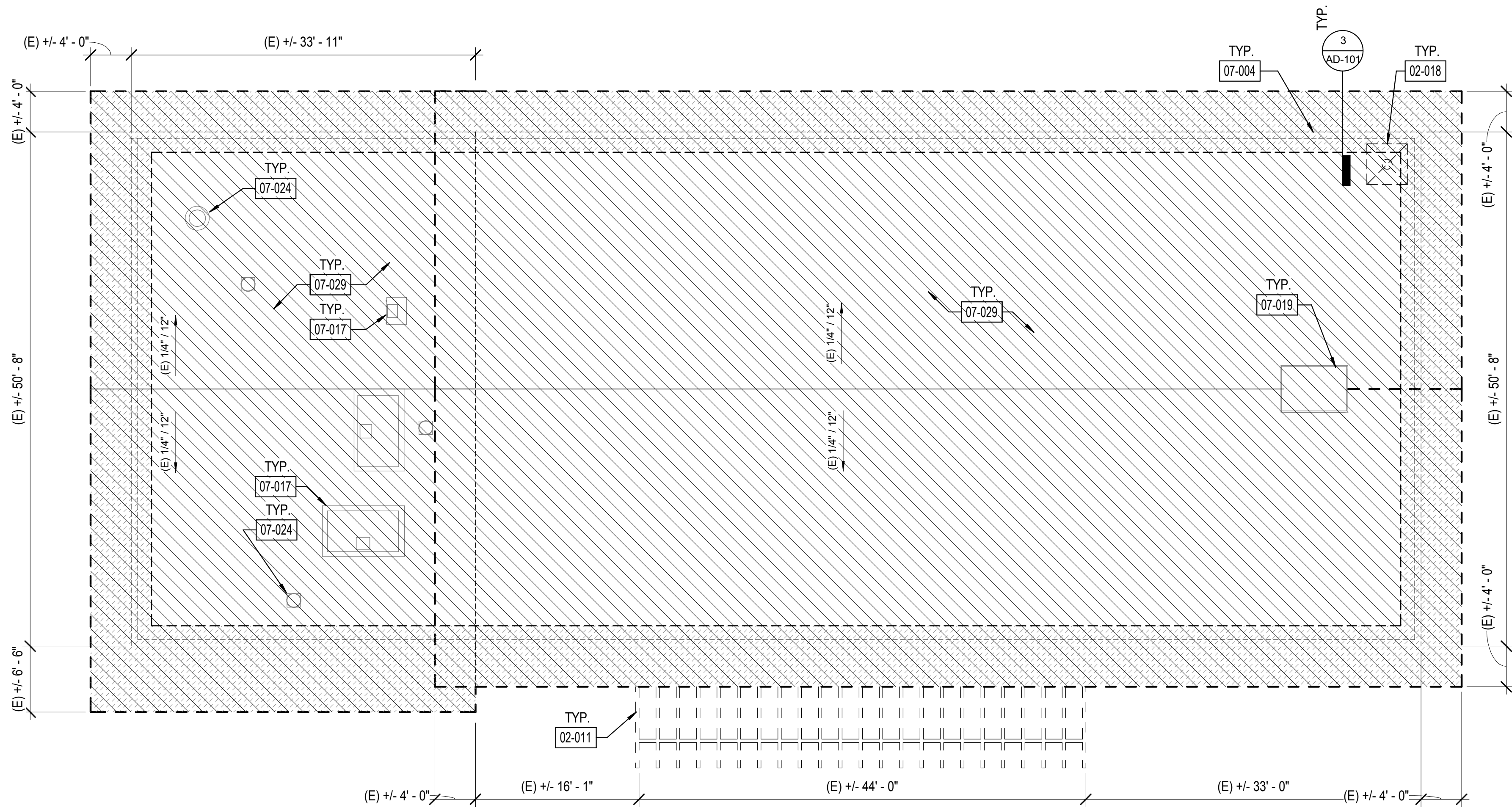
1401 MARICOPA HWY,
 OJAI, CA 93023

100% CDs

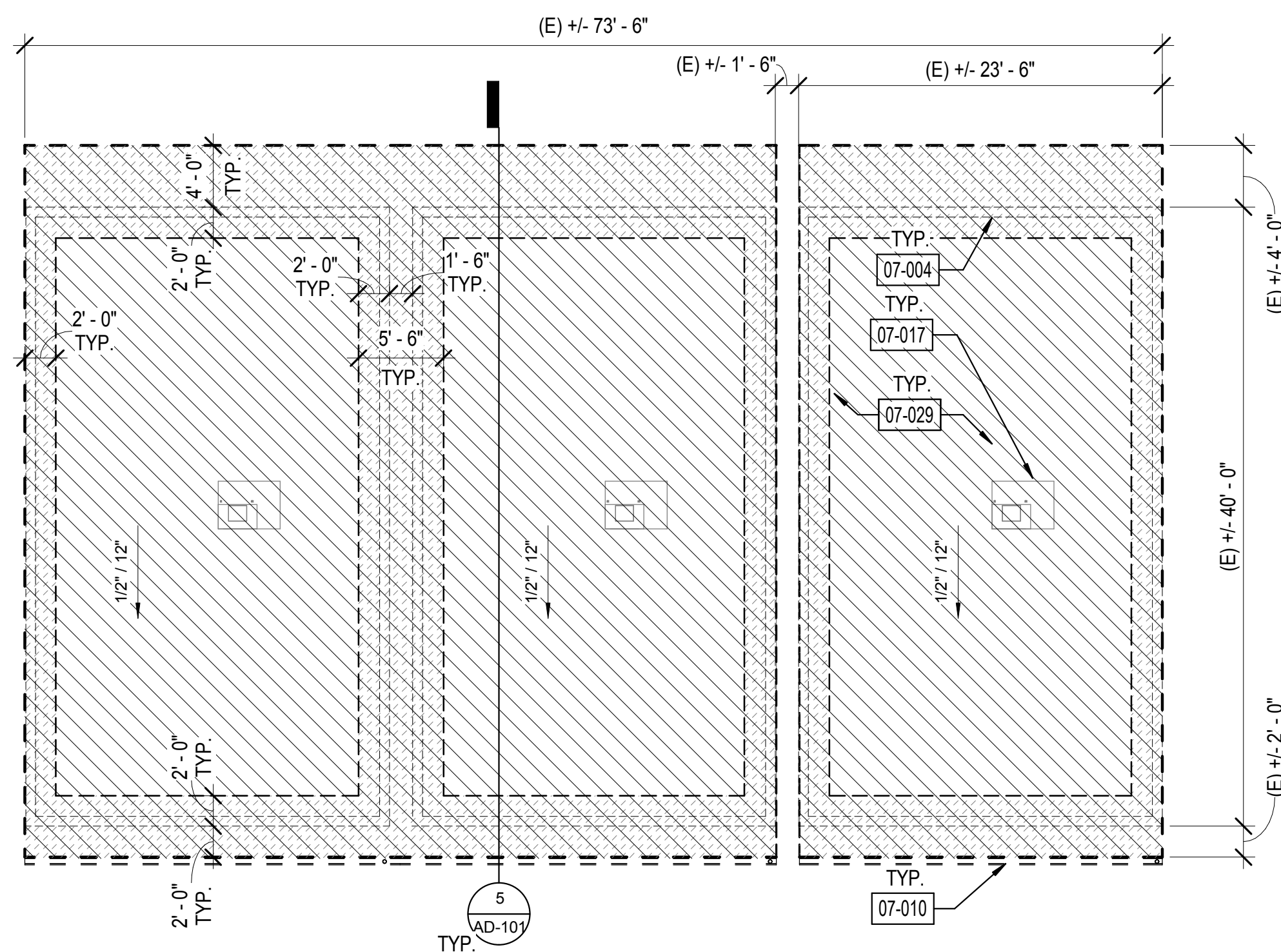
No.	Description	Date

Sheet Name
**BLDG H -
 ROOF
 DEMOLITION
 PLAN**
 17761.11
 Date **01/10/2019**
 Drawn by **CLD**
 Checked by **CY**
 Sheet Number

D-100



1 ROOF DEMOLITION PLAN - BLDG I
1/8" = 1'-0"

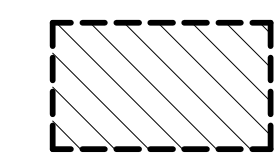
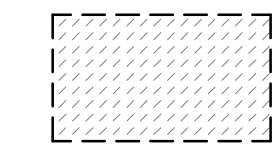

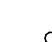






2 ROOF DEMOLITION PLAN - BLDG J
1/8" = 1'-0"

SHEET GENERAL NOTES

- EXISTING ROOF DEMOLITION REQUIRES REMOVAL OF ROOF MEMBRANE. AFTER REMOVAL OF ROOFING, THE ARCHITECT WILL REVIEW THE EXISTING PLYWOOD SUBSTRATE. IF PORTIONS OF PLYWOOD REQUIRE REPLACEMENT, THE ARCHITECT WILL IDENTIFY AND PROVIDE WRITTEN DIRECTION TO THE CONTRACTOR TO AUTHORIZE THE WORK. SUCH COSTS WILL BE APPLIED **AGAINST ALLOWANCE NO. 1**.
- EXISTING ROOFING MATERIALS SCHEDULED FOR DEMOLITION HAVE BEEN TESTED AND BEEN FOUND NOT TO CONTAIN ASBESTOS. THIS DOES NOT GUARANTEE THAT ALL ROOFING MATERIALS WILL BE FREE OF ASBESTOS. IF ASBESTOS IS FOUND, COMPLY WITH ALL LOCAL, STATE, AND FEDERAL REQUIREMENTS FOR ASBESTOS ABATEMENT.
- DO NOT CUT INTO EXISTING PLYWOOD ROOF SHEATHING DURING ROOFING DEMOLITION. ANY PLYWOOD CUT SHALL BE REPLACED AT THE CONTRACTOR'S EXPENSE.
- DETACH UTILITIES FROM SUPPORTS AND TEMPORARILY SUPPORT AS REQUIRED TO REMOVE AND REPLACE ROOFING.
- REMOVE ALL EXISTING ROOF JACKS AT PIPE OR CONDUIT PENETRATIONS AND PREP TO RECEIVE NEW SEALED PENETRATION PER DETAIL 6/AD-100.
- VERIFY ON FIELD LOCATION OF MECHANICAL EQUIPMENT AND & TYPE OF UTILITY.

LEGEND

-  REMOVE AND REPLACE ROOF
-  ASSUMED ROOF SHEATHING REPLACEMENT AT EAVES/ EDGES
-  (E) EXHAUST FAN
-  (E) VENT PIPE THROUGH ROOF
-  (E) SKYLIGHT
-  ROOF VENT
-  (E) WALL BELOW
-  DEMOLISH (E) ITEM

KEYNOTE LEGEND

- 02-011 DEMOLISH (E) TRELLIS
- 02-018 DEMOLISH (E) ANTENNA
- 07-004 LINE OF (E) WALL BELOW
- 07-010 REMOVE (E) GUTTER AND (E) DOWNSPOUT
- 07-017 PROTECT IN PLACE (E) HVAC UNIT, DETACH & TEMPORARILY SUPPORT UNIT AS REQUIRED FOR ROOFING WORK
- 07-019 PROTECT IN PLACE (E) ROOF HATCH
- 07-024 PROTECT IN PLACE (E) EXHAUST FAN
- 07-029 DEMOLISH (E) ROOF



IDENTIFICATION STAMP
DIV. OF THE STATE ARCHITECT
OFFICE OF REGULATION SERVICES
FILE NO. _____
AC _____ FLS _____ SS _____
DATE _____

OJAI
UNIFIED
SCHOOL
DISTRICT

NORDHOFF
HIGH SCHOOL
ROOFING
PROJECT

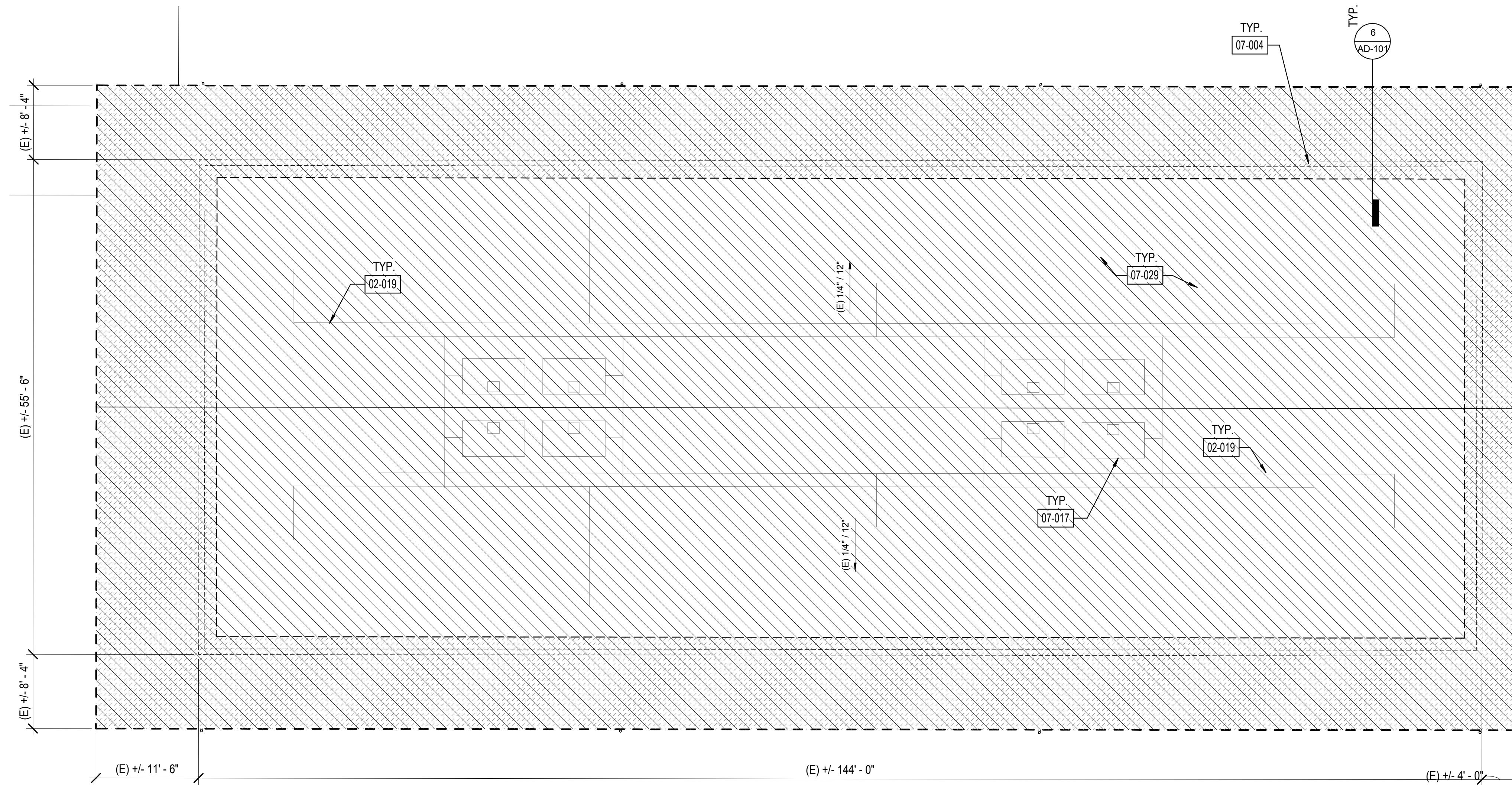
1401 MARICOPA HWY,
OJAI, CA 93023

100% CDs

No.	Description	Date

Sheet Name
**BLDG I & J -
ROOF
DEMOLITION
PLANS**
17761.11
Date 01/10/2019
Drawn by CLD
Checked by CY
Sheet Number

D-101



1 ROOF DEMOLITION PLAN - BLDG F
1/8" = 1'-0"



SHEET GENERAL NOTES

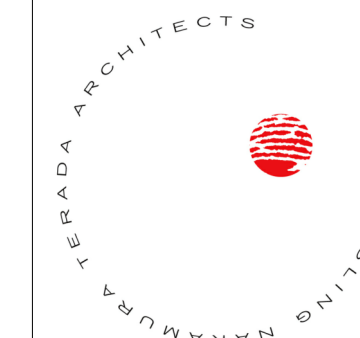
- EXISTING ROOF DEMOLITION REQUIRES REMOVAL OF ROOF MEMBRANE.
- AFTER REMOVAL OF ROOFING, THE ARCHITECT WILL REVIEW THE EXISTING PLYWOOD SUBSTRATE. IF PORTIONS OF PLYWOOD REQUIRE REPLACEMENT, THE ARCHITECT WILL IDENTIFY AND PROVIDE WRITTEN DIRECTION TO THE CONTRACTOR TO AUTHORIZE THE WORK. SUCH COSTS WILL BE APPLIED **AGAINST ALLOWANCE NO. 1**.
- EXISTING ROOFING MATERIALS SCHEDULED FOR DEMOLITION HAVE BEEN TESTED AND BEEN FOUND NOT TO CONTAIN ASBESTOS. THIS DOES NOT GUARANTEE THAT ALL ROOFING MATERIALS WILL BE FREE OF ASBESTOS. IF ASBESTOS IS FOUND, COMPLY WITH ALL LOCAL, STATE, AND FEDERAL REQUIREMENTS FOR ASBESTOS ABATEMENT. DO NOT CUT INTO EXISTING PLYWOOD ROOF SHEATHING DURING ROOFING DEMOLITION. ANY PLYWOOD CUT SHALL BE REPLACED AT THE CONTRACTOR'S EXPENSE.
- DETACH UTILITIES FROM SUPPORTS AND TEMPORARILY SUPPORT AS REQUIRED TO REMOVE AND REPLACE ROOFING.
- REMOVE ALL EXISTING ROOF JACKS AT PIPE OR CONDUIT PENETRATIONS AND PREP TO RECEIVE NEW SEALED PENETRATION PER DETAIL 6/AD-100.
- VERIFY ON FIELD LOCATION OF MECHANICAL EQUIPMENT AND TYPE OF UTILITY.

LEGEND

- REMOVE AND REPLACE ROOF
- ASSUMED ROOF SHEATHING REPLACEMENT AT EAVES/ EDGES
- (E) EXHAUST FAN
- (E) VENT PIPE THROUGH ROOF
- (E) SKYLIGHT
- ROOF VENT
- (E) WALL BELOW
- DEMOLISH (E) ITEM

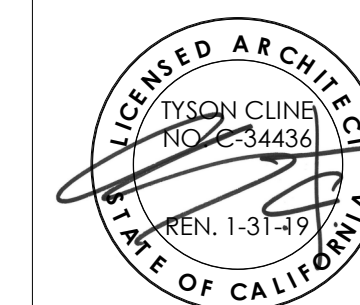
KEYNOTE LEGEND

- 02-019 PROTECT IN PLACE (E) ELECTRICAL LINES
- 07-004 LINE OF (E) WALL BELOW
- 07-017 PROTECT IN PLACE (E) HVAC UNIT, DETACH & TEMPORARILY SUPPORT UNIT AS REQUIRED FOR ROOFING WORK
- 07-029 DEMOLISH (E) ROOF



Roesling Nakamura Terada Architects

285 N Ventura Ave #102
Ventura, CA 93001
P805.626.5330
F805.626.5350
www.RNTArchitects.com



OJAI
UNIFIED
SCHOOL
DISTRICT

NORDHOFF
HIGH SCHOOL
ROOFING
PROJECT

1401 MARICOPA HWY,
OJAI, CA 93023

100% CDs

No.	Description	Date

Sheet Name

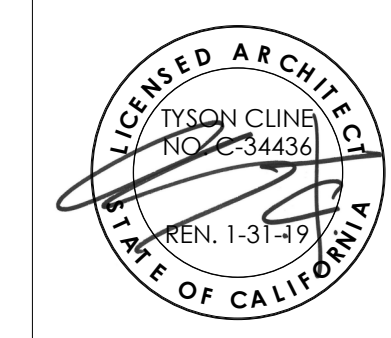
**BLDG F -
ROOF
DEMOLITION
PLAN**

17761.11
Date 01/10/2019
Drawn by CLD
Checked by CY
Sheet Number

D-102



**Roesling Nakamura
Terada Architects**
285 N Ventura Ave #102
Ventura, CA 93001
P805.626.5330
F805.626.5350
www.RNTarchitects.com



IDENTIFICATION STAMP
DIV. OF THE STATE ARCHITECT
OFFICE OF REGULATION SERVICES
FILE NO. _____
AC _____ FLS _____ SS _____
DATE _____

**OJAI
UNIFIED
SCHOOL
DISTRICT**

**NORDHOFF
HIGH SCHOOL
ROOFING
PROJECT**

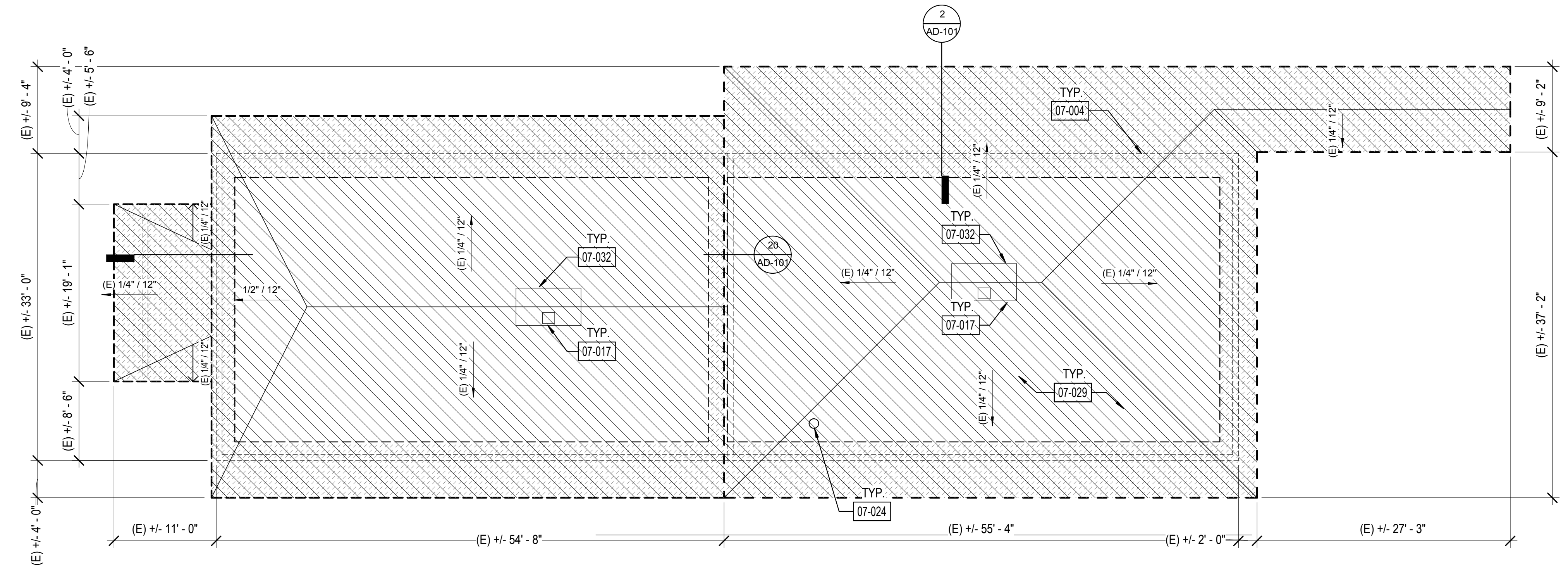
1401 MARICOPA HWY,
OJAI, CA 93023

100% CDs

No.	Description	Date

Sheet Name
**BLDG G -
ROOF
DEMOLITION
PLANS**
17761.11
Date **01/10/2019**
Drawn by **CLD**
Checked by **CY**
Sheet Number

D-103



1 ROOF DEMOLITION PLAN - BLDG G
1/8" = 1'-0"



SHEET GENERAL NOTES

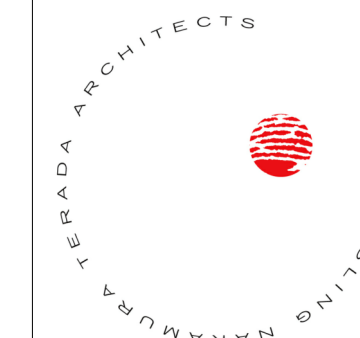
- EXISTING ROOF DEMOLITION REQUIRES REMOVAL OF ROOF MEMBRANE.
- AFTER REMOVAL OF ROOFING, THE ARCHITECT WILL REVIEW THE EXISTING PLYWOOD SUBSTRATE. IF PORTIONS OF PLYWOOD REQUIRE REPLACEMENT, THE ARCHITECT WILL IDENTIFY AND PROVIDE WRITTEN DIRECTION TO THE CONTRACTOR TO AUTHORIZE THE WORK. SUCH COSTS WILL BE APPLIED **AGAINST ALLOWANCE NO. 1**. EXISTING ROOFING MATERIALS SCHEDULED FOR DEMOLITION HAVE BEEN TESTED AND BEEN FOUND NOT TO CONTAIN ASBESTOS. THIS DOES NOT GUARANTEE THAT ALL ROOFING MATERIALS WILL BE FREE OF ASBESTOS. IF ASBESTOS IS FOUND, COMPLY WITH ALL LOCAL, STATE, AND FEDERAL REQUIREMENTS FOR ASBESTOS ABATEMENT. DO NOT CUT INTO EXISTING PLYWOOD ROOF SHEATHING DURING ROOFING DEMOLITION. ANY PLYWOOD CUT SHALL BE REPLACED AT THE CONTRACTOR'S EXPENSE.
- DETACH UTILITIES FROM SUPPORTS AND TEMPORARILY SUPPORT AS REQUIRED TO REMOVE AND REPLACE ROOFING.
- REMOVE ALL EXISTING ROOF JACKS AT PIPE OR CONDUIT PENETRATIONS AND PREP TO RECEIVE NEW SEALED PENETRATION PER DETAIL 6/AD-100.
- VERIFY ON FIELD LOCATION OF MECHANICAL EQUIPMENT AND TYPE OF UTILITY.

LEGEND

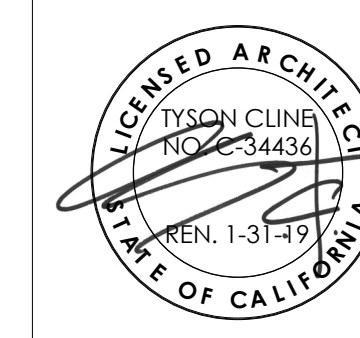
- REMOVE AND REPLACE ROOF
- ASSUMED ROOF SHEATHING REPLACEMENT AT EAVES/ EDGES
- (E) EXHAUST FAN
- (E) VENT PIPE THROUGH ROOF
- (E) SKYLIGHT
- ROOF VENT
- (E) WALL BELOW
- DEMOLISH (E) ITEM

KEYNOTE LEGEND

- 07-004 LINE OF (E) WALL BELOW
- 07-017 PROTECT IN PLACE (E) HVAC UNIT, DETACH & TEMPORARILY SUPPORT UNIT AS REQUIRED FOR ROOFING WORK
- 07-024 PROTECT IN PLACE (E) EXHAUST FAN
- 07-029 DEMOLISH (E) ROOF
- 07-032 DEMOLISH (E) MECH CURB



Roesling Nakamura
Terada Architects
285 N Ventura Ave #102
Ventura, CA 93001
P805.626.5330
F805.626.5350
www.RNTArchitects.com



OJAI
UNIFIED
SCHOOL
DISTRICT

NORDHOFF
HIGH SCHOOL
ROOFING
PROJECT

1401 MARICOPA HWY,
OJAI, CA 93023

100% CDs

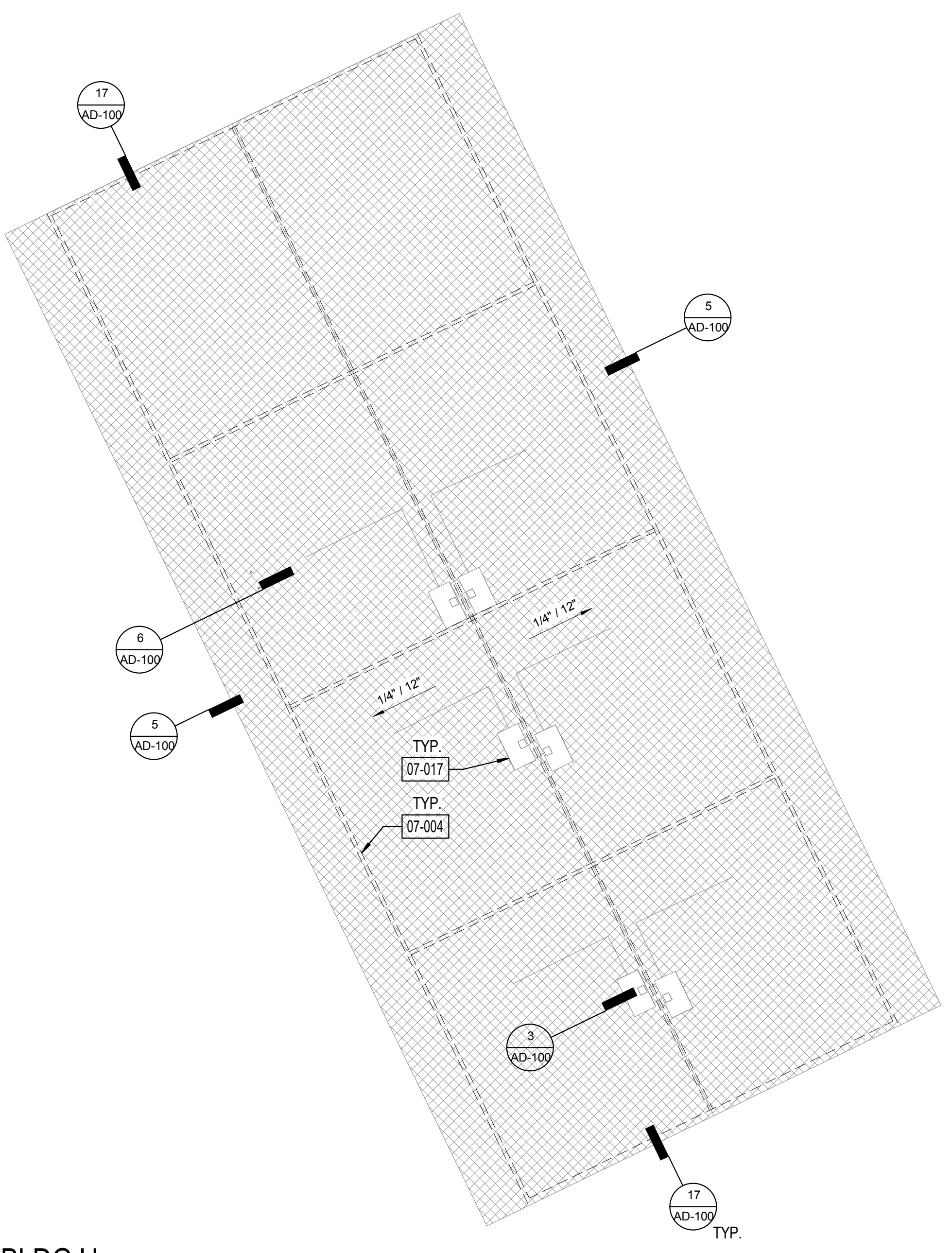
No.	Description	Date

Sheet Name

BLDG H -
ROOF PLAN

17761.11
Date 01/10/2019
Drawn by CLD
Checked by CY
Sheet Number

A-100



1 ROOF PLAN - BLDG H
1/16" = 1'-0"



SHEET GENERAL NOTES

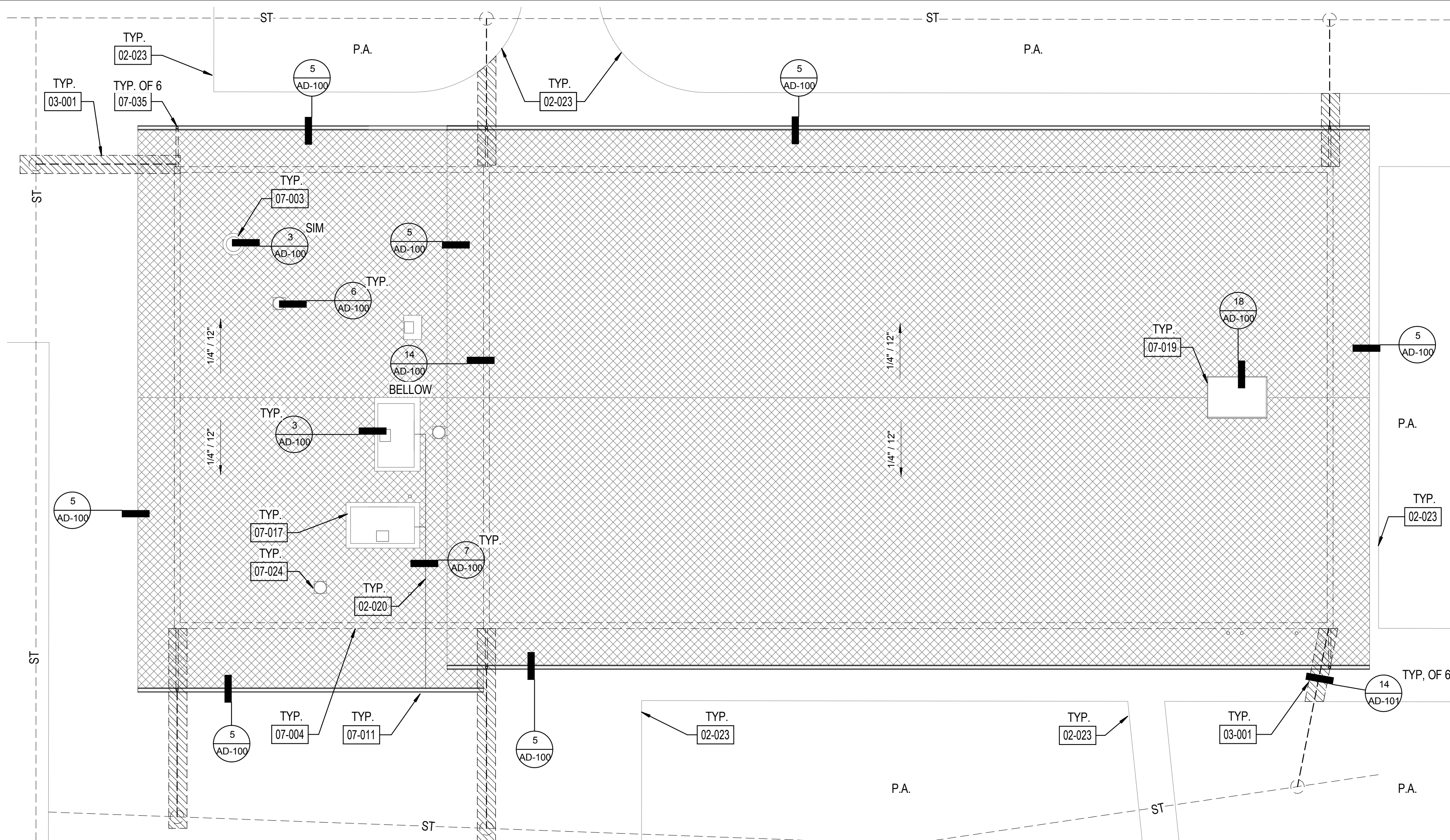
- ALL ITEMS ARE NEW UNLESS OTHERWISE NOTED.
- ANY ROOFING MEMBERS OBSERVED TO BE COMPROMISED TO BE REPLACED IN COMPLIANCE WITH DSA-APPROVED EXISTING CONDITION DRAWINGS.
- INSTALL PRECAST POLYMER CURB AT ALL PIPING ROOF PENETRATIONS PER DETAIL 6/AD-100.
- VERIFY ON FIELD LOCATION OF MECHANICAL EQUIPMENT AND TYPE OF UTILITY.

LEGEND

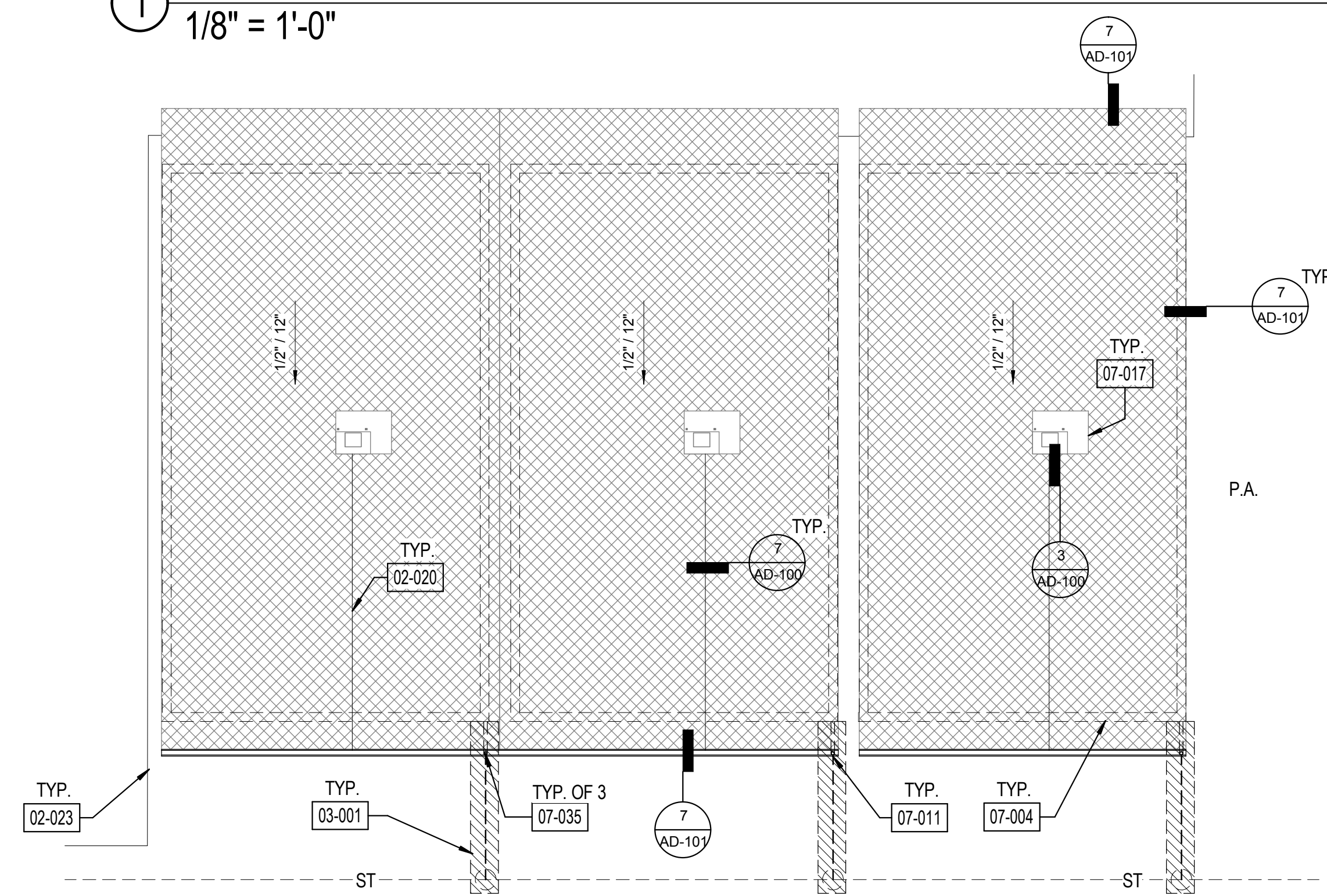
- DEMOLISH (E) 4" CONC. WALK FOR DOWNSPOUD LINE AND PATCH TO MATCH EXISTING.
- CLASS A MODIFIED BITUMEN ROOFING OVER (E) DECKING. REFER TO 11/AD-100 FOR ASSEMBLY.
- P.A. PLANTER AREA
- (E) EXHAUST FAN
- (E) VENT PIPE THROUGH ROOF
- (E) SKYLIGHT
- ROOF VENT
- (E) WALL BELOW
- DOWNSPOUT CONNECTION TO (E) STORM DRAIN, REFER TO 13/AD-101
- DOWNSPOUT TO (E) LANDSCAPE/GRAVEL, REFER TO 13/AD-101
- ST--- (E) STORM DRAIN LINE, U.O.N.

KEYNOTE LEGEND

- 07-004 LINE OF (E) WALL BELOW
- 07-017 PROTECT IN PLACE (E) HVAC UNIT, DETACH & TEMPORARILY SUPPORT UNIT AS REQUIRED FOR ROOFING WORK



1 ROOF PLAN - BLDG I
1/8" = 1'-0"



2 ROOF PLAN - BLDG J
1/8" = 1'-0"

SHEET GENERAL NOTES

1. ALL ITEMS ARE NEW UNLESS OTHERWISE NOTED.
2. ANY ROOFING MEMBERS OBSERVED TO BE COMPROMISED TO BE REPLACED IN COMPLIANCE WITH DSA-APPROVED EXISTING CONDITION DRAWINGS.
3. INSTALL PRECAST POLYMER CURB AT ALL PIPING ROOF PENETRATIONS PER DETAIL 6/AD-100.
4. VERIFY ON FIELD LOCATION OF MECHANICAL EQUIPMENT AND TYPE OF UTILITY.

LEGEND

- DEMOLISH (E) 4" CONC. WALK FOR DOWNSPOUT LINE AND PATCH TO MATCH EXISTING.
- CLASS A MODIFIED BITUMEN ROOFING OVER (E) DECKING. REFER TO 11/AD-100 FOR ASSEMBLY.
- P.A. PLANTER AREA
- (E) EXHAUST FAN
- (E) VENT PIPE THROUGH ROOF
- (E) SKYLIGHT
- ROOF VENT
- - - - (E) WALL BELOW
- - - - DOWNSPOUT CONNECTION TO (E) STORM DRAIN, REFER TO 13/AD-101
- - - - DOWNSPOUT TO (E) LANDSCAPE/GRAVEL, REFER TO 13/AD-101
- - - - ST (E) STORM DRAIN LINE, U.O.N.

KEYNOTE LEGEND

- 02-020 INSTALL CONDENSATE LINE WITH TURN DOWN INTO GUTTER
- 02-023 PROTECT IN PLACE (E) CONC. WALK
- 03-001 DEMOLISH (E) 4" CONC. WALK FOR DOWNSPOUT LINE AND PATCH TO MATCH EXISTING.
- 07-003 PROTECT IN PLACE (E) ROOF VENT
- 07-004 LINE OF (E) WALL BELOW
- 07-011 INSTALL GUTTER AND DOWNSPOUT
- 07-017 PROTECT IN PLACE (E) HVAC UNIT. DETACH & TEMPORARILY SUPPORT UNIT AS REQUIRED FOR ROOFING WORK
- 07-019 PROTECT IN PLACE (E) ROOF HATCH
- 07-024 PROTECT IN PLACE (E) EXHAUST FAN
- 07-035 GUTTER



Roesling Nakamura
Terada Architects

285 N Ventura Ave #102
Ventura, CA 93001
P805.626.5330
F805.626.5350
www.RNTArchitects.com



OJAI
UNIFIED
SCHOOL
DISTRICT

NORDHOFF
HIGH SCHOOL
ROOFING
PROJECT

1401 MARICOPA HWY,
OJAI, CA 93023

100% CDs

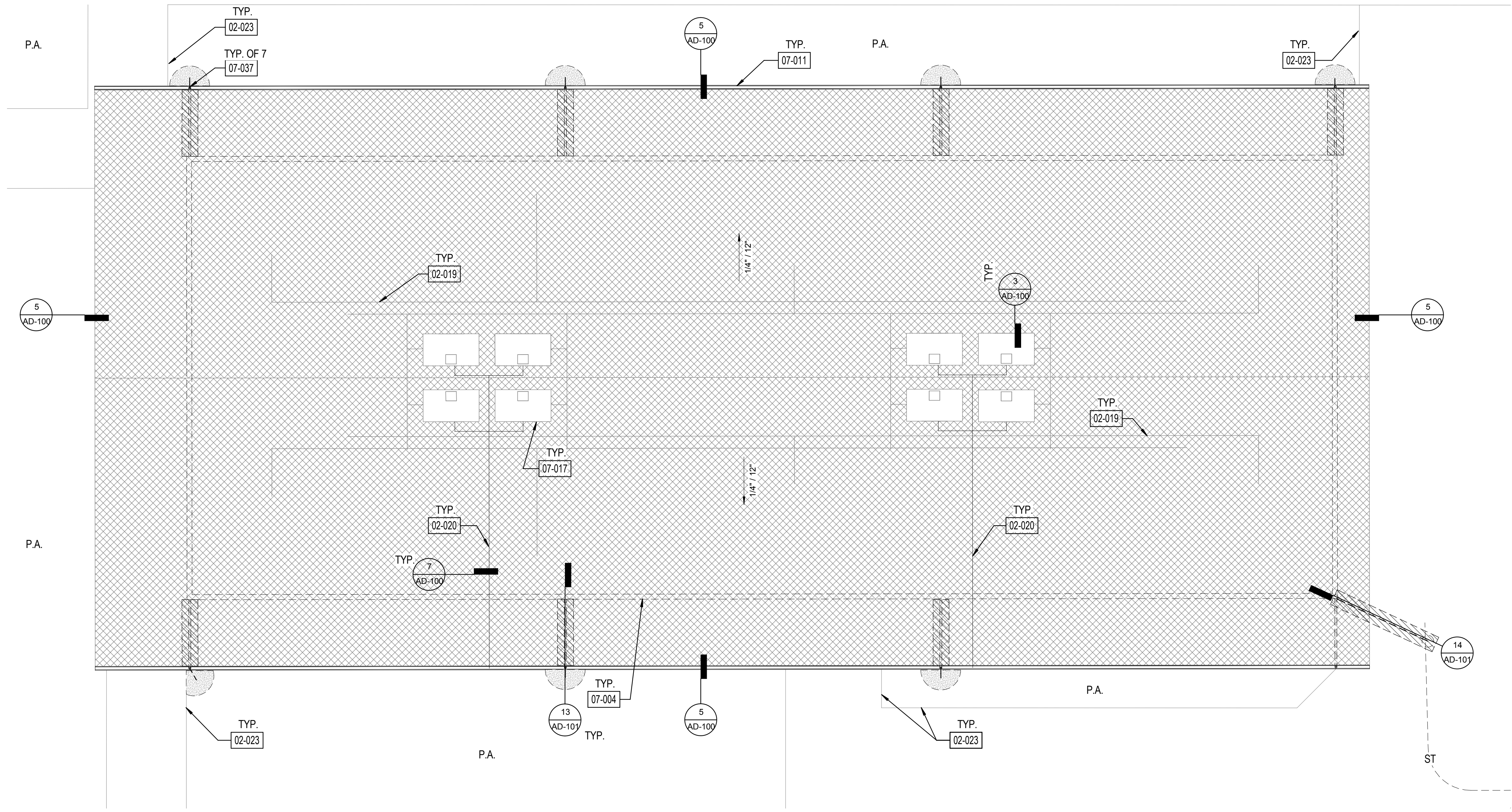
No.	Description	Date

Sheet Name

BLDG I & J -
ROOF PLANS

17761.11
Date 01/10/2019
Drawn by CLD
Checked by CY
Sheet Number

A-101



1 ROOF PLAN - BLDG F
1/8" = 1'-0"

SHEET GENERAL NOTES

- ALL ITEMS ARE NEW UNLESS OTHERWISE NOTED.
- ANY ROOFING MEMBERS OBSERVED TO BE COMPROMISED TO BE REPLACED IN COMPLIANCE WITH DSA-APPROVED EXISTING CONDITION DRAWINGS.
- INSTALL PRECAST POLYMER CURB AT ALL PIPING ROOF PENETRATIONS PER DETAIL 6/AD-100.
- VERIFY ON FIELD LOCATION OF MECHANICAL EQUIPMENT AND TYPE OF UTILITY.

LEGEND

- DEMOLISH (E) 4" CONC. WALK FOR DOWNSPOUT LINE AND PATCH TO MATCH EXISTING.
- CLASS A MODIFIED BITUMEN ROOFING OVER (E) DECKING. REFER TO 11/AD-100 FOR ASSEMBLY.
- P.A. PLANTER AREA
- (E) EXHAUST FAN
- (E) VENT PIPE THROUGH ROOF
- (E) SKYLIGHT
- ROOF VENT
- (E) WALL BELOW
- DOWNSPOUT CONNECTION TO (E) STORM DRAIN, REFER TO 13/AD-101
- DOWNSPOUT TO (E) LANDSCAPE/GRAVEL, REFER TO 13/AD-101
- (E) STORM DRAIN LINE, U.O.N.

KEYNOTE LEGEND

- 02-019 PROTECT IN PLACE (E) ELECTRICAL LINES
- 02-020 INSTALL CONDENSATE LINE WITH TURN DOWN INTO GUTTER
- 02-023 PROTECT IN PLACE (E) CONC. WALK
- 07-004 LINE OF (E) WALL BELOW
- 07-011 INSTALL GUTTER AND DOWNSPOUT
- 07-017 PROTECT IN PLACE (E) HVAC UNIT, DETACH & TEMPORARILY SUPPORT UNIT AS REQUIRED FOR ROOFING WORK
- 07-037 INSTALL DOWNSPOUT, REFER TO SPECS.



Roesling Nakamura Terada Architects
 285 N Ventura Ave #102
 Ventura, CA 93001
 P805.626.5330
 F805.626.5330
 www.RNTArchitects.com



OJAI UNIFIED SCHOOL DISTRICT

NORDHOFF HIGH SCHOOL ROOFING PROJECT

1401 MARICOPA HWY,
 OJAI, CA 93023

100% CDs

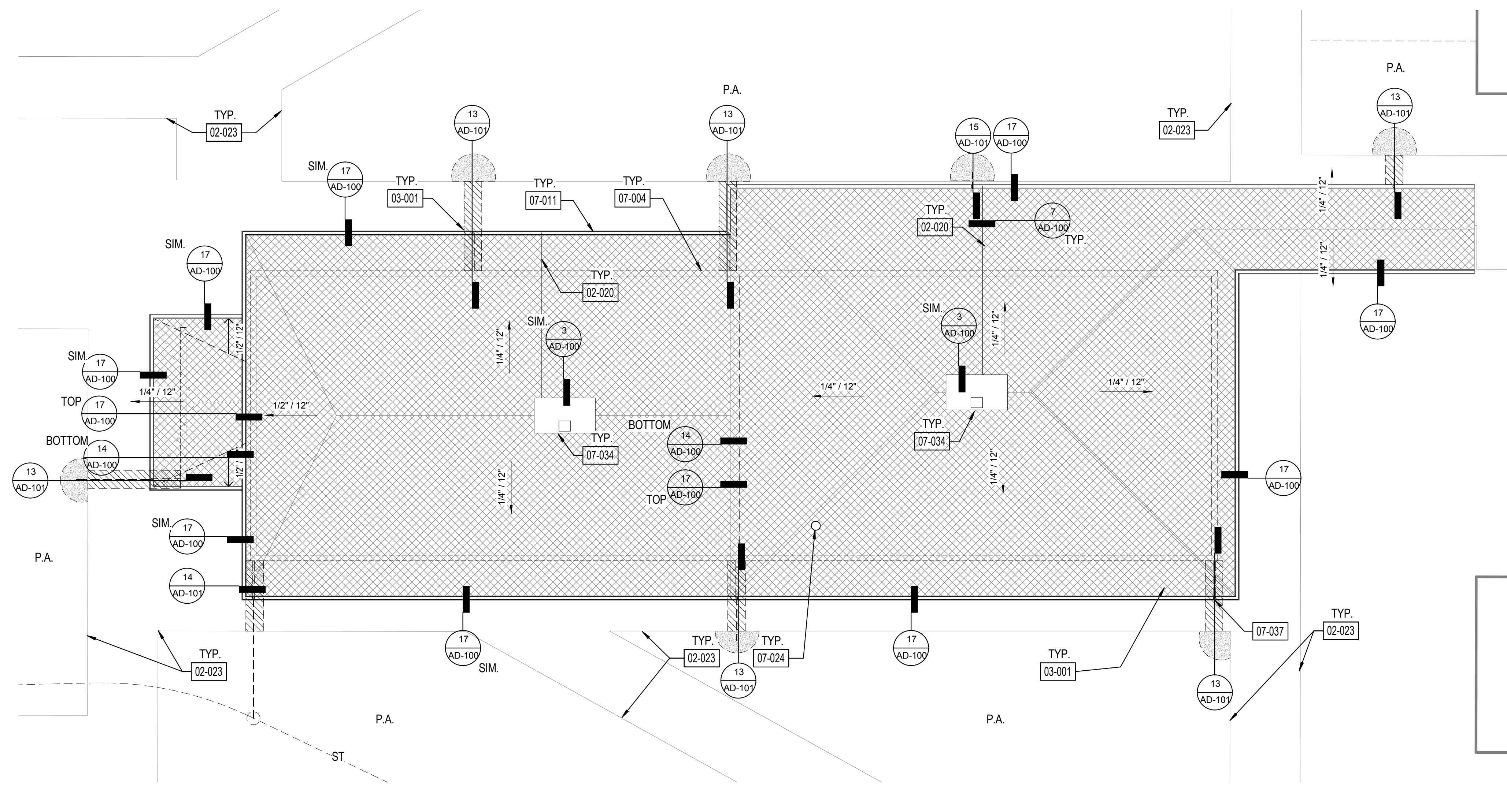
No.	Description	Date

Sheet Name

BLDG F - ROOF PLAN

17761.11
 Date 01/10/2019
 Drawn by CLD
 Checked by CY
 Sheet Number

A-102



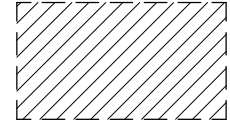
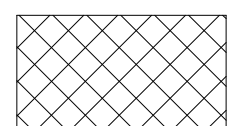

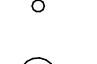


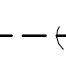
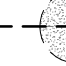
1 ROOF PLAN - BLDG G
1/8" = 1'-0"



SHEET GENERAL NOTES

- ALL ITEMS ARE NEW UNLESS OTHERWISE NOTED.
- ANY ROOFING MEMBERS OBSERVED TO BE COMPROMISED TO BE REPLACED IN COMPLIANCE WITH DSA-APPROVED EXISTING CONDITION DRAWINGS.
- INSTALL PRECAST POLYMER CURB AT ALL PIPING ROOF PENETRATIONS PER DETAIL 6/AD-100.
- VERIFY ON FIELD LOCATION OF MECHANICAL EQUIPMENT AND TYPE OF UTILITY.

LEGEND

-  DEMOLISH (E) 4" CONC. WALK FOR DOWNSPOUD LINE AND PATCH TO MATCH EXISTING.
-  CLASS A MODIFIED BITUMEN ROOFING OVER (E) DECKING. REFER TO 11/AD-100 FOR ASSEMBLY.
- P.A. PLANTER AREA
-  (E) EXHAUST FAN
-  (E) VENT PIPE THROUGH ROOF
-  (E) SKYLIGHT
-  ROOF VENT
- - - - (E) WALL BELOW
- - - -  DOWNSPOUT CONNECTION TO (E) STORM DRAIN, REFER TO 13/AD-101
- - - -  DOWNSPOUT TO (E) LANDSCAPE/GRAVEL, REFER TO 13/AD-101
- - - - ST (E) STORM DRAIN LINE, U.O.N.

KEYNOTE LEGEND

- 02-020 INSTALL CONDENSATE LINE WITH TURN DOWN INTO GUTTER
- 02-023 PROTECT IN PLACE (E) CONC. WALK
- 03-001 DEMOLISH (E) 4" CONC. WALK FOR DOWNSPOUD LINE AND PATCH TO MATCH EXISTING.
- 07-004 LINE OF (E) WALL BELOW
- 07-011 INSTALL GUTTER AND DOWNSPOUT
- 07-024 PROTECT IN PLACE (E) EXHAUST FAN
- 07-034 PROVIDE NEW MECH CURB
- 07-037 INSTALL DOWNSPOUT, REFER TO SPECS.



OJAI UNIFIED SCHOOL DISTRICT

NORDHOFF HIGH SCHOOL ROOFING PROJECT

1401 MARICOPA HWY,
OJAI, CA 93023

100% CDs

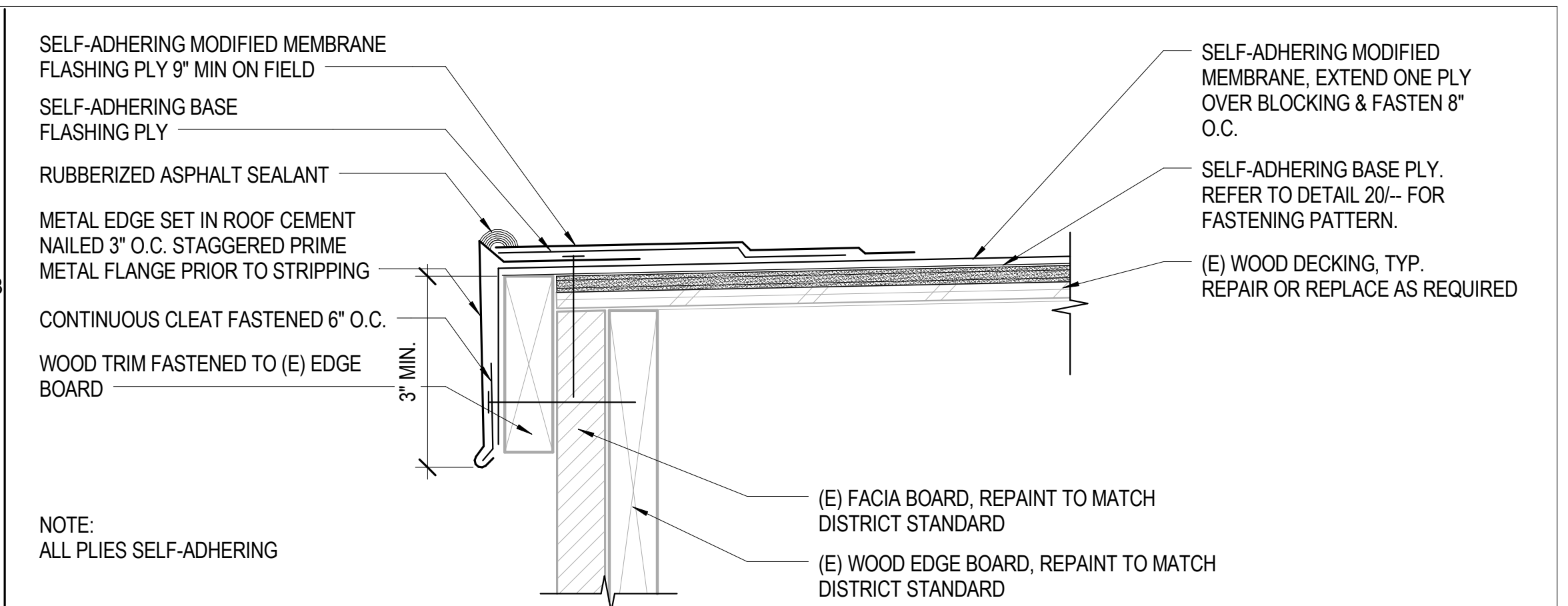
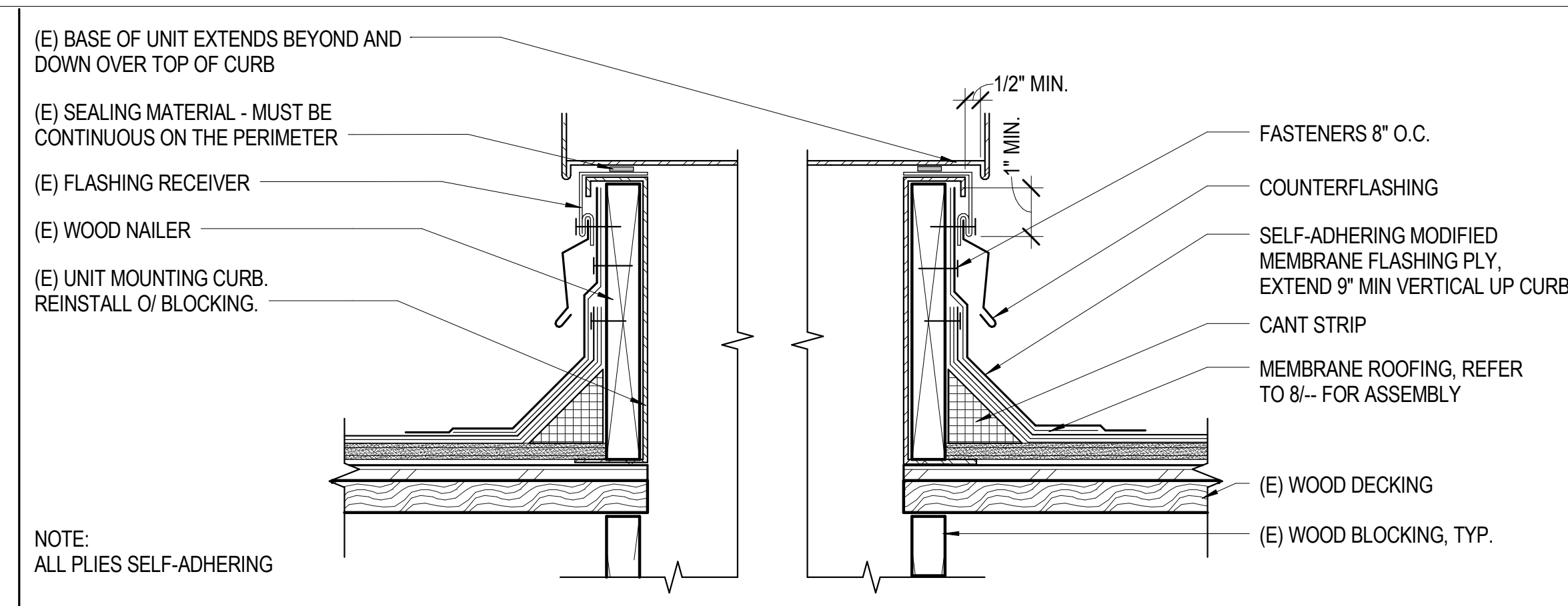
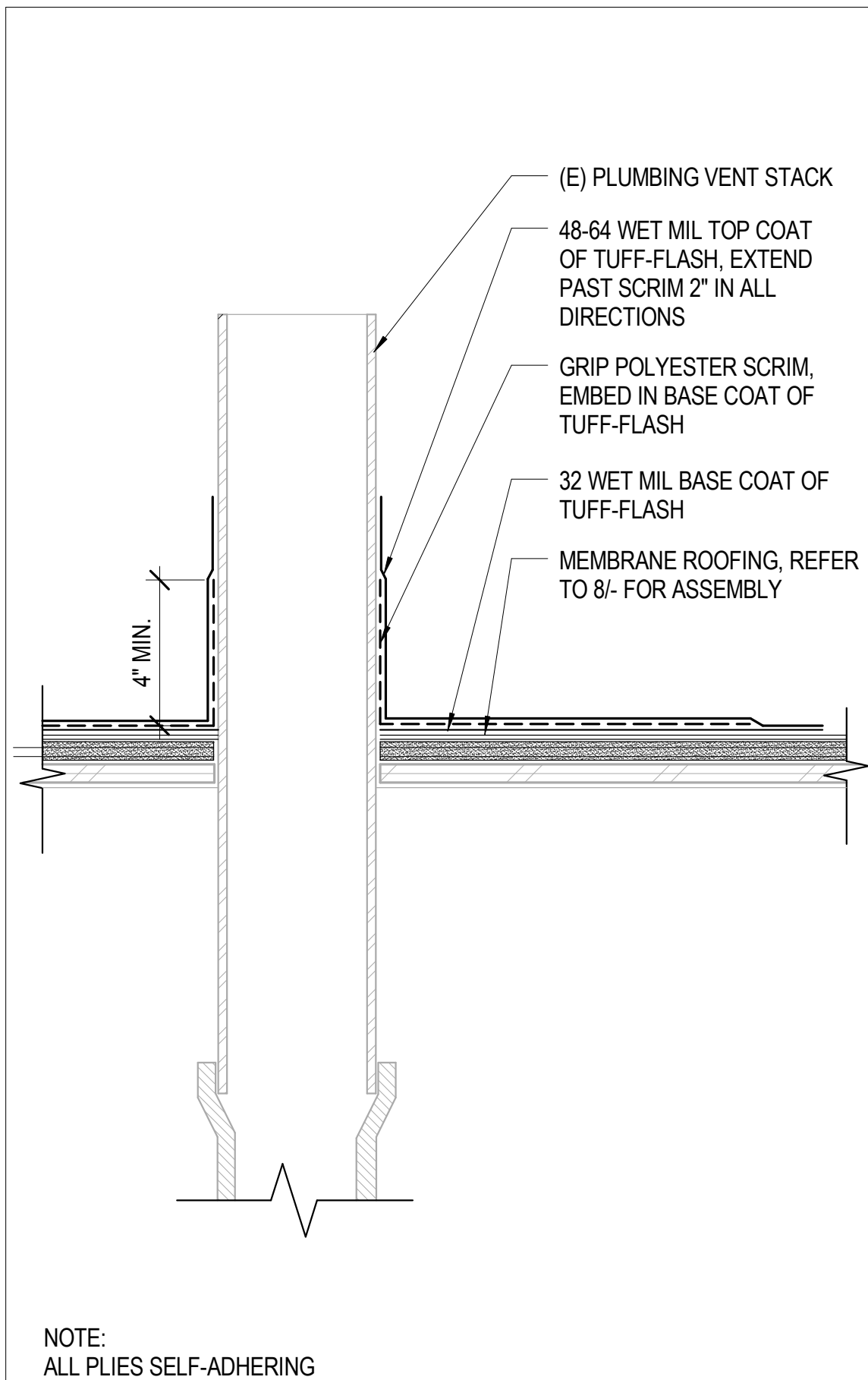
No.	Description	Date

Sheet Name
BLDG G - ROOF PLANS

Date 17761.11
 01/10/2019
 Drawn by CLD
 Checked by CY
 Sheet Number

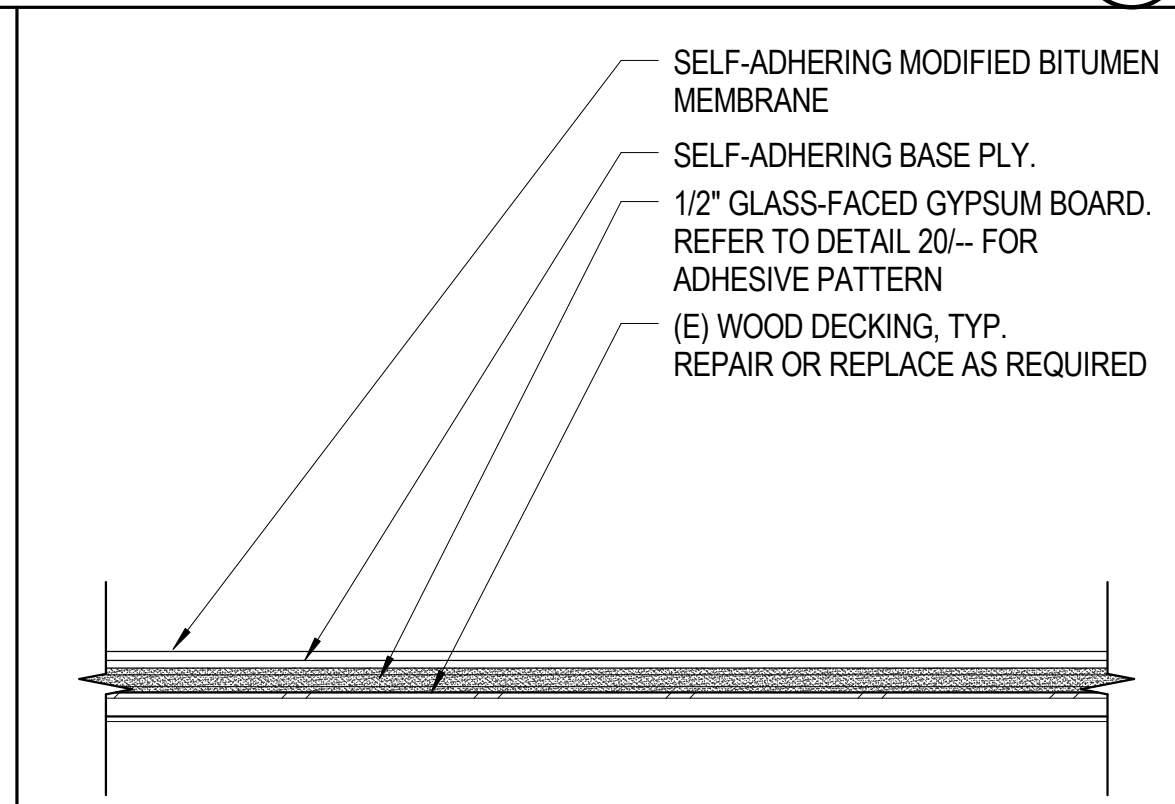
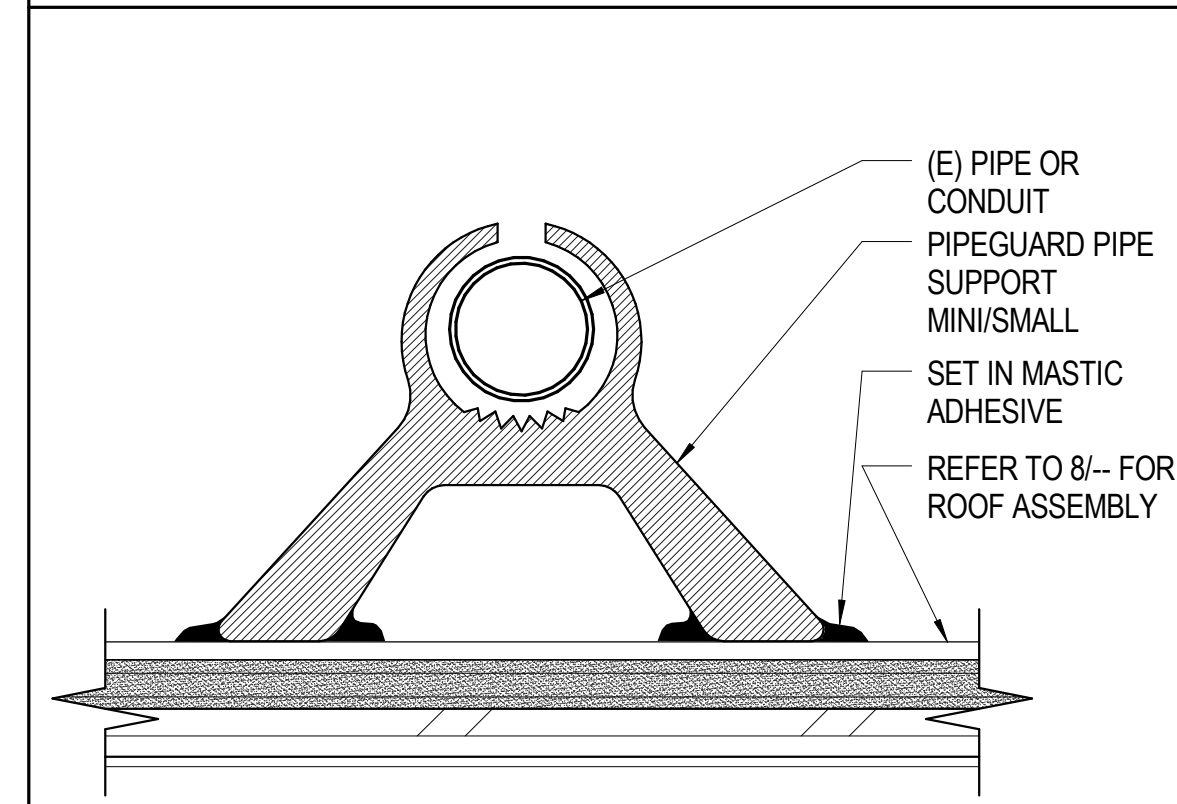
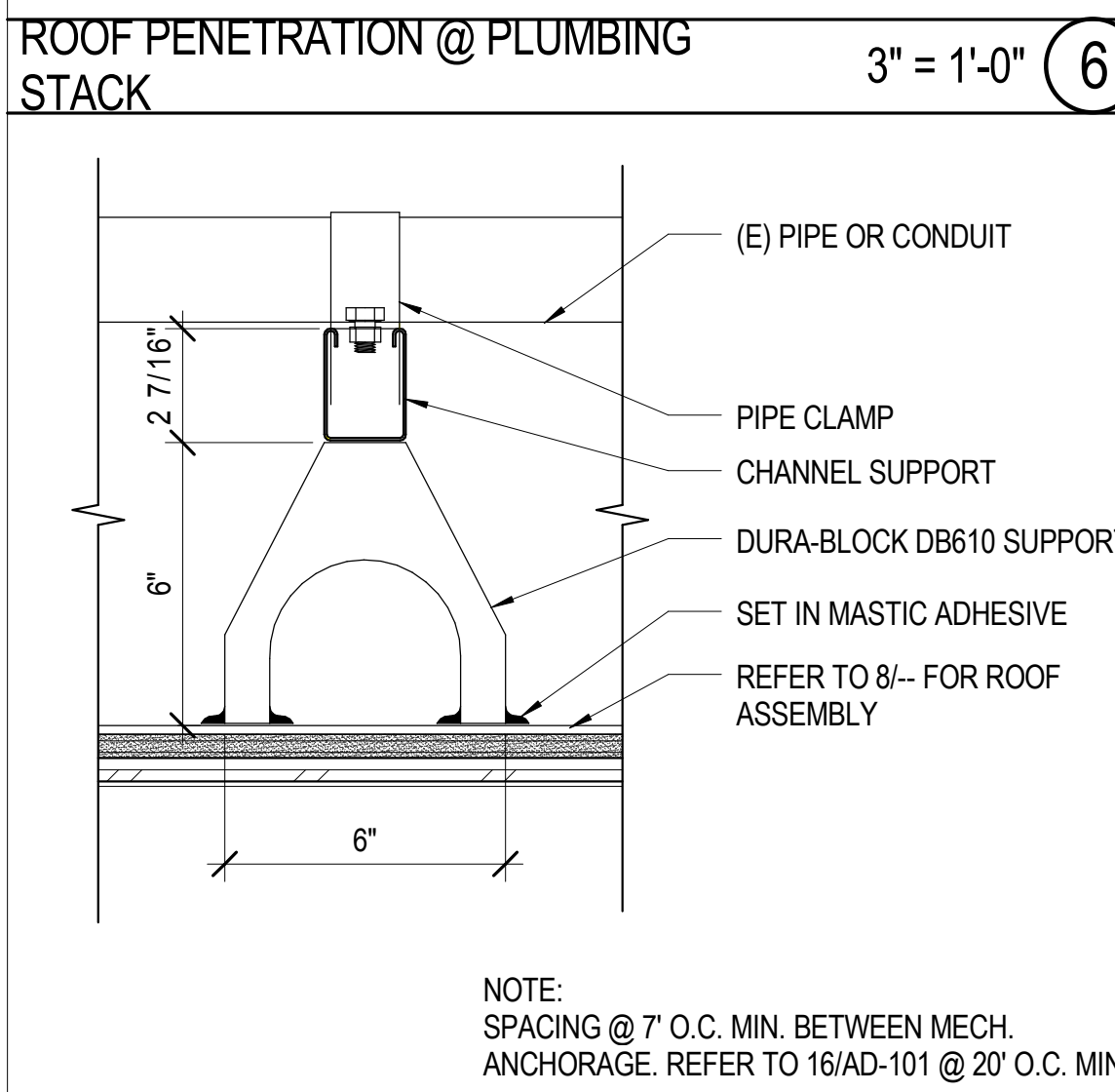
A-103

C:\Users\calderm\Documents\Nordhoff Roofing Project - 2019.rvt



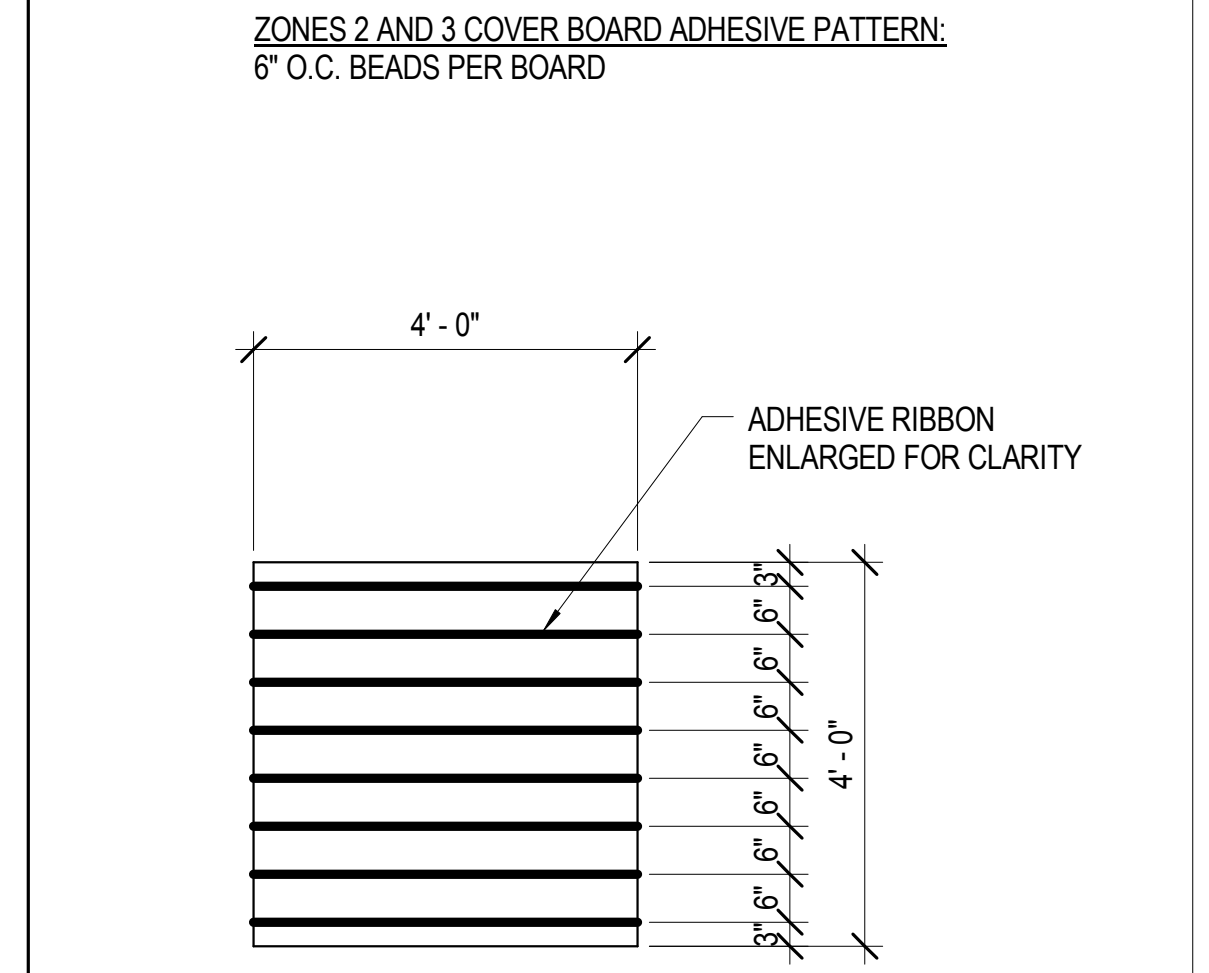
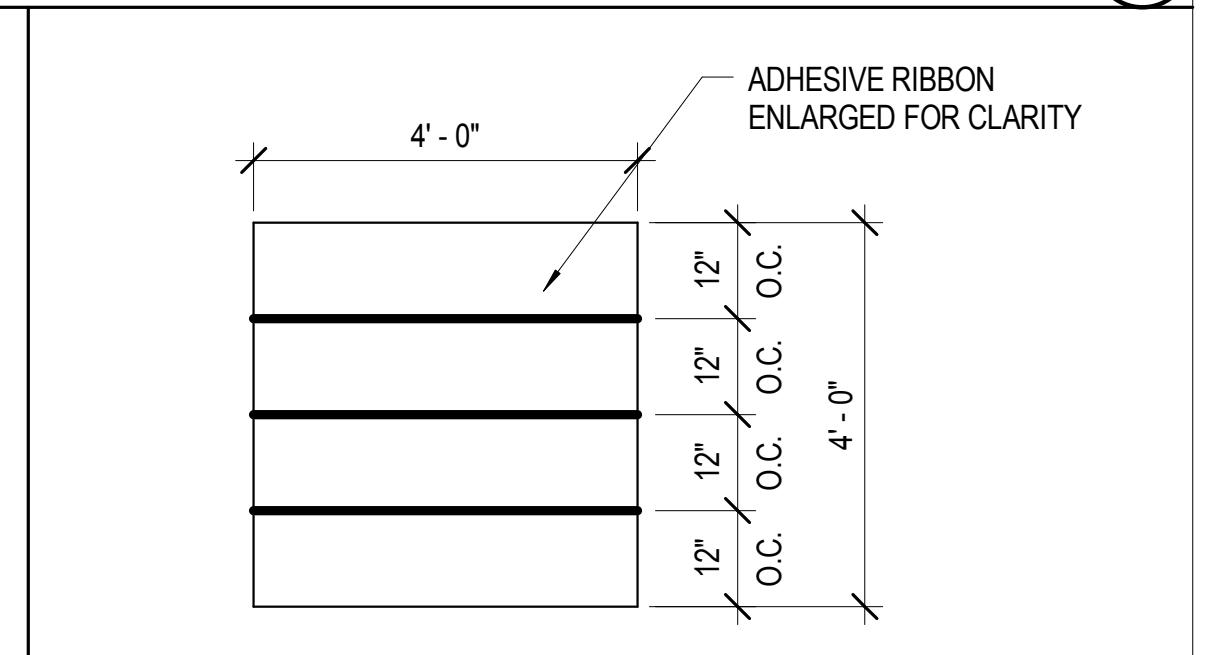
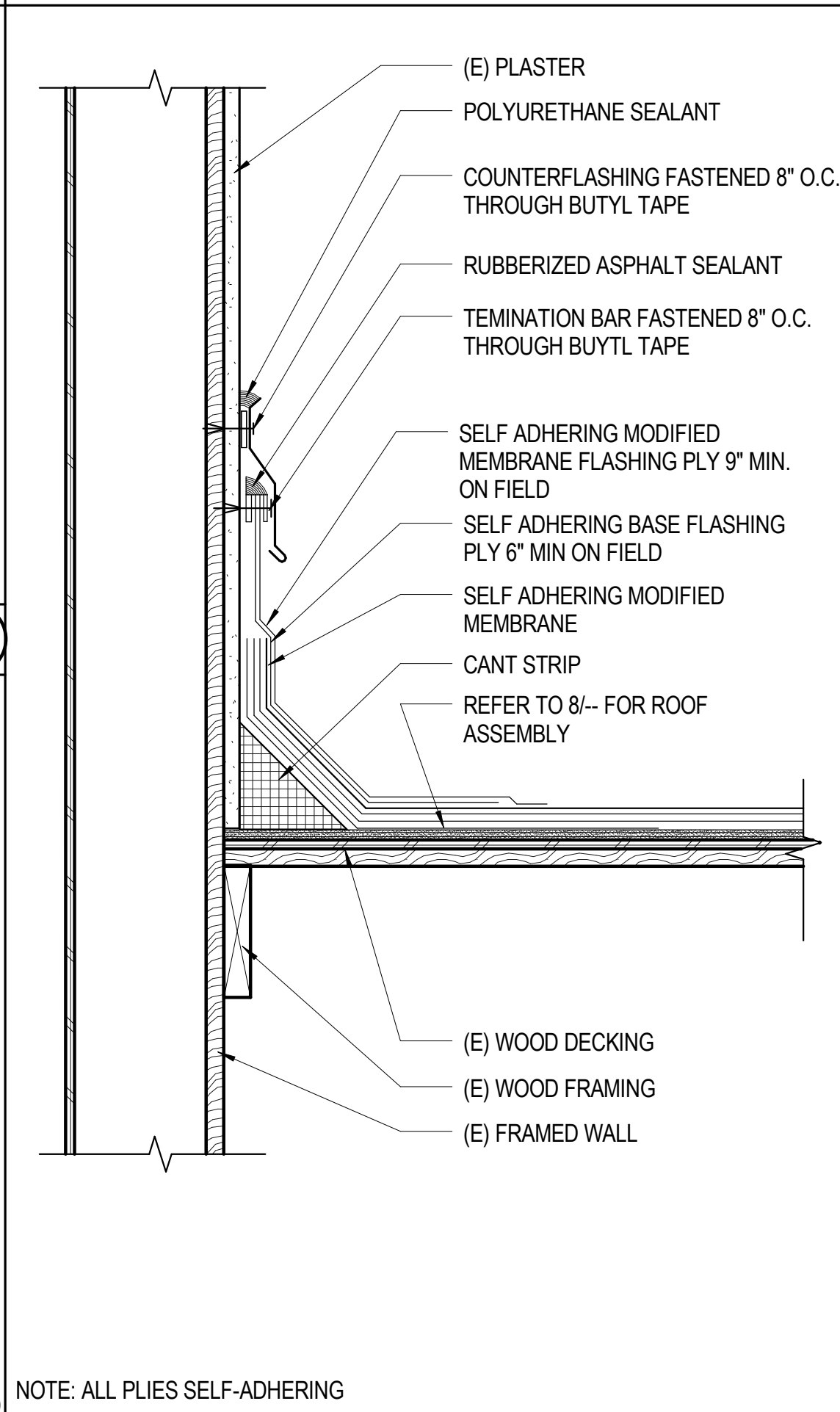
MECHANICAL EQUIPMENT CURB 3" = 1'-0" 3

ROOF EDGE METAL @ WOOD TRIM, TYP. 3" = 1'-0" 5

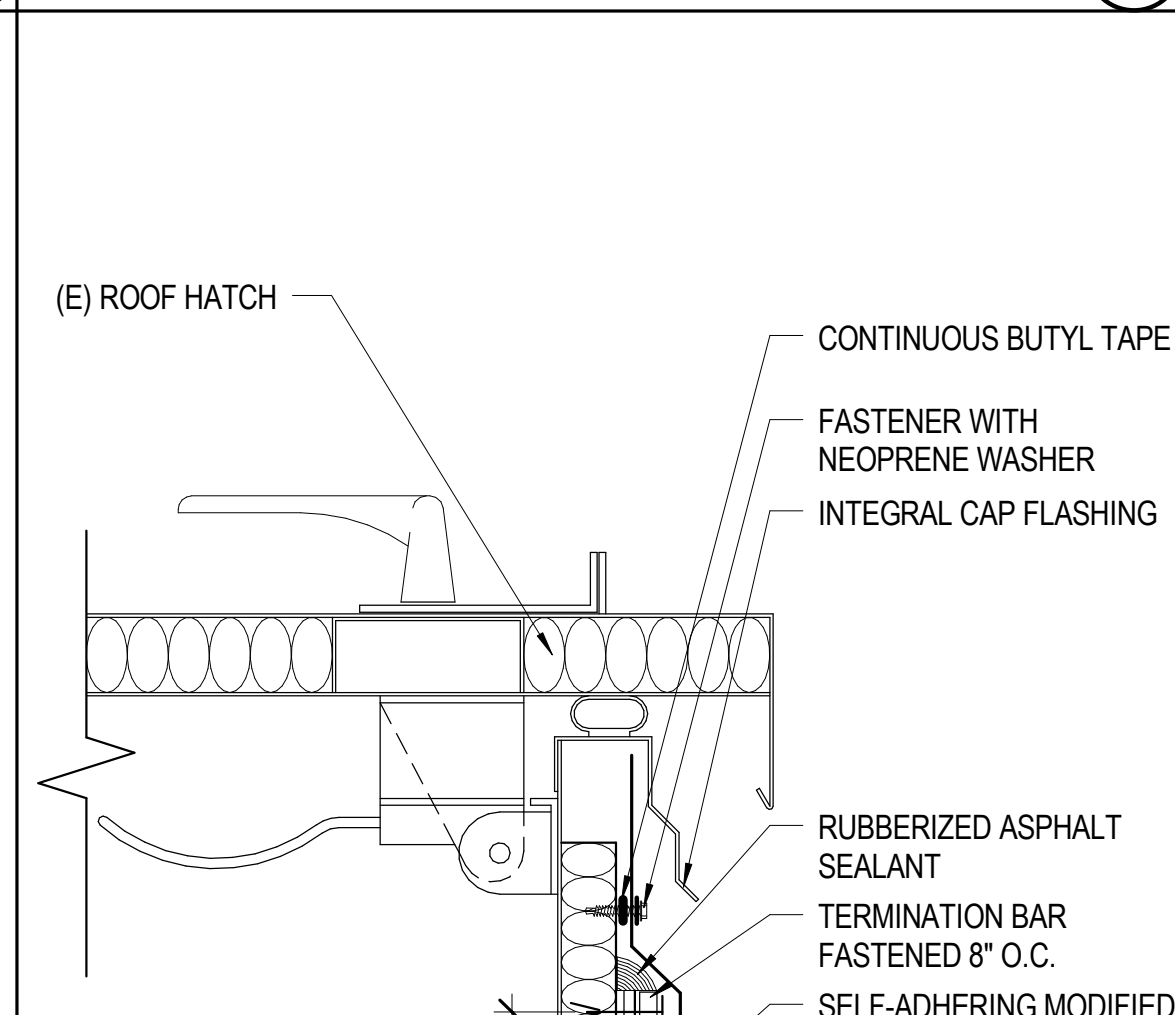
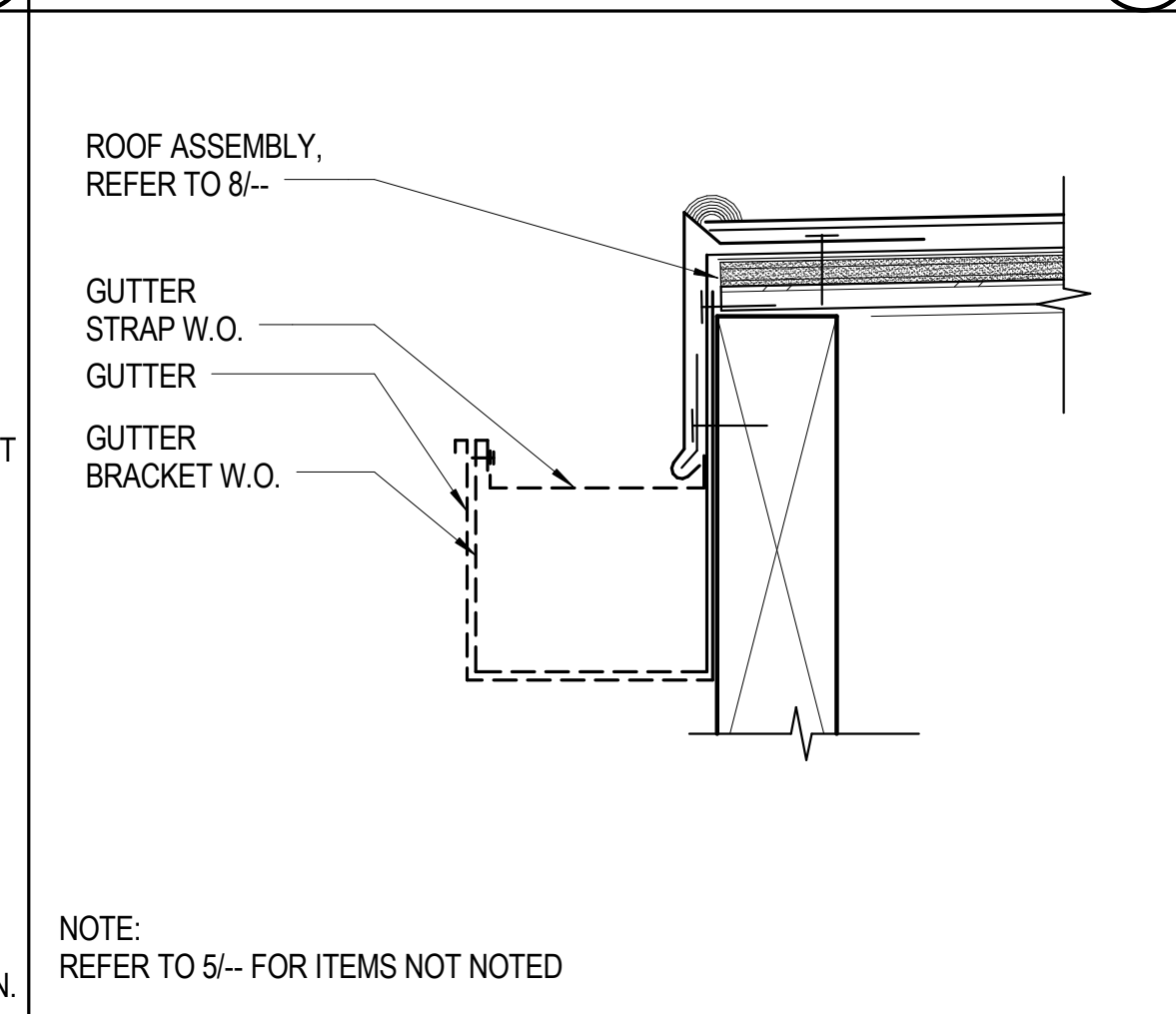


OMG PIPEGUARD 6" = 1'-0" 7

TYPICAL ROOF ASSEMBLY 3" = 1'-0" 8



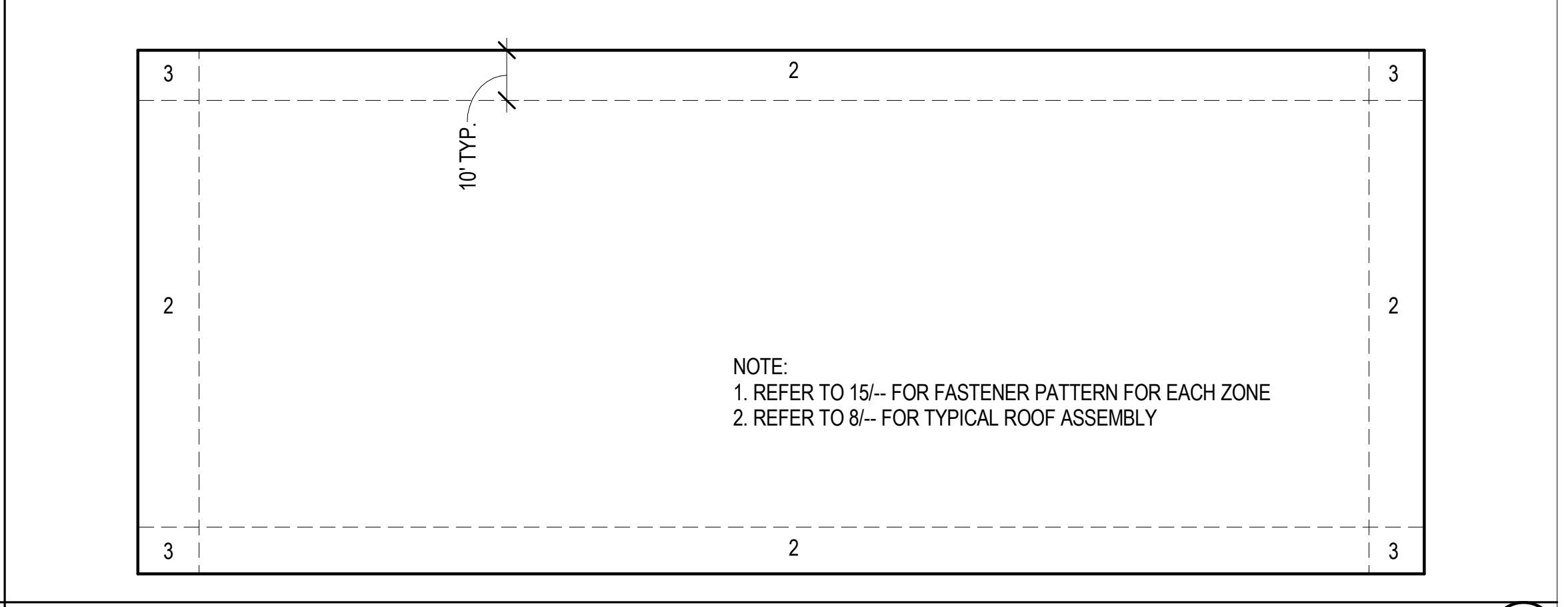
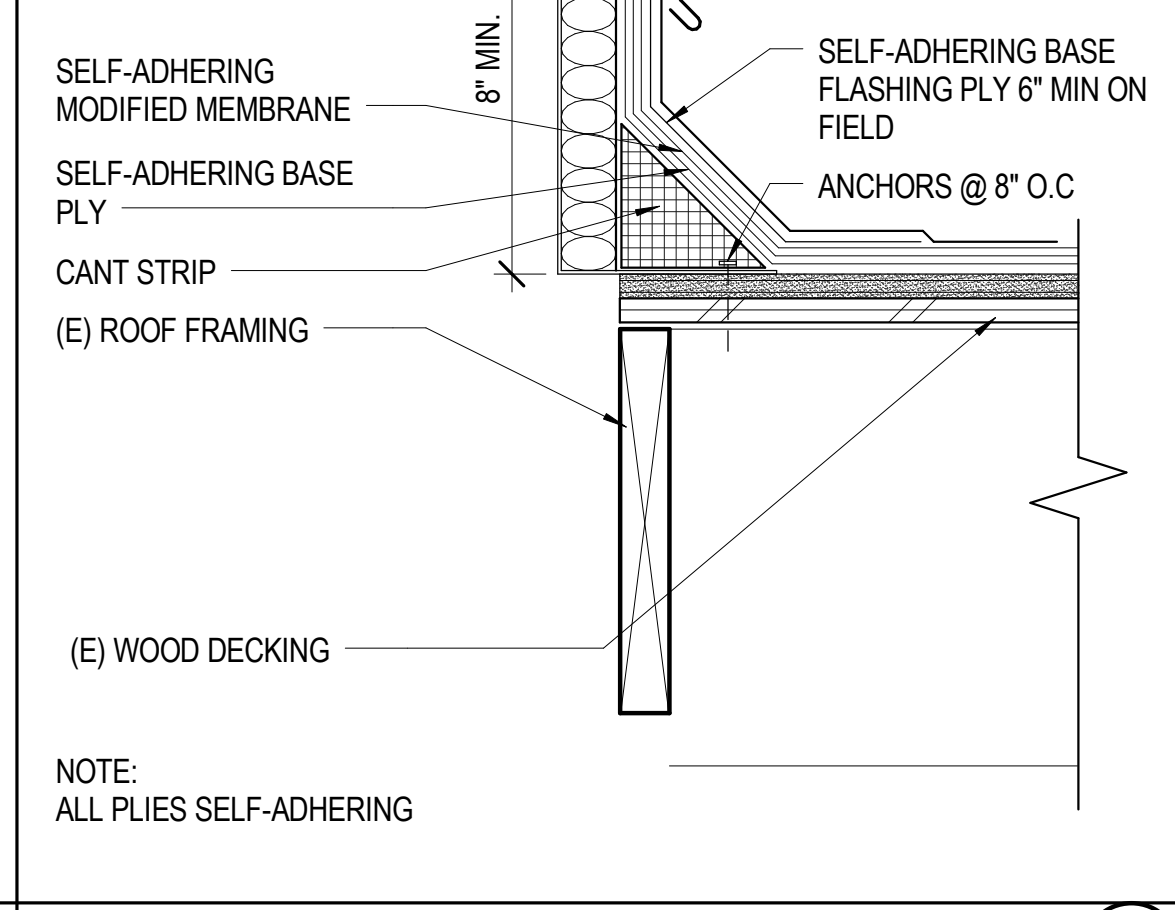
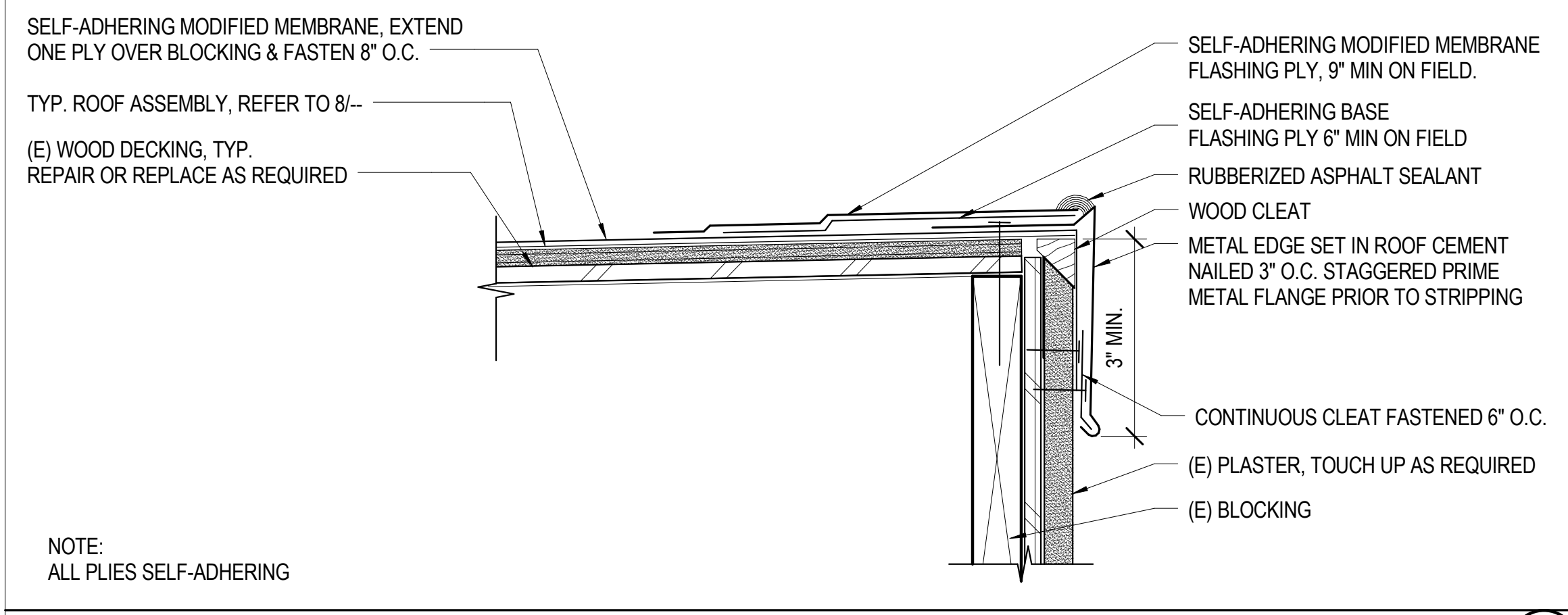
DURA-BLOCK EQUIPMENT SUPPORT 3" = 1'-0" 11



GUTTER @ METAL FASCIA 3" = 1'-0" 12

MEMBRANE ROOFING @ (E) WALL 1 1/2" = 1'-0" 14

BASE PLY FASTENER / ADHESIVE PATTERN 1/2" = 1'-0" 15



TYP. ROOF EDGE METAL @ PLATER TRIM, TYP. 3" = 1'-0" 17

ROOF HATCH 3" = 1'-0" 18

ROOF ZONES 1" = 20'-0" 20

Roesling Nakamura Terada Architects
285 N Ventura Ave #102
Ventura, CA 93001
P805.626.5330
F805.626.5350
www.RNTArchitects.com

TYSON CLINE
NO. 2-34436
EXPIRES 1-31-19
STATE OF CALIFORNIA

OJAI UNIFIED SCHOOL DISTRICT
NORDHOFF HIGH SCHOOL ROOFING PROJECT
1401 MARICOPA HWY,
OJAI, CA 93023

100% CDs

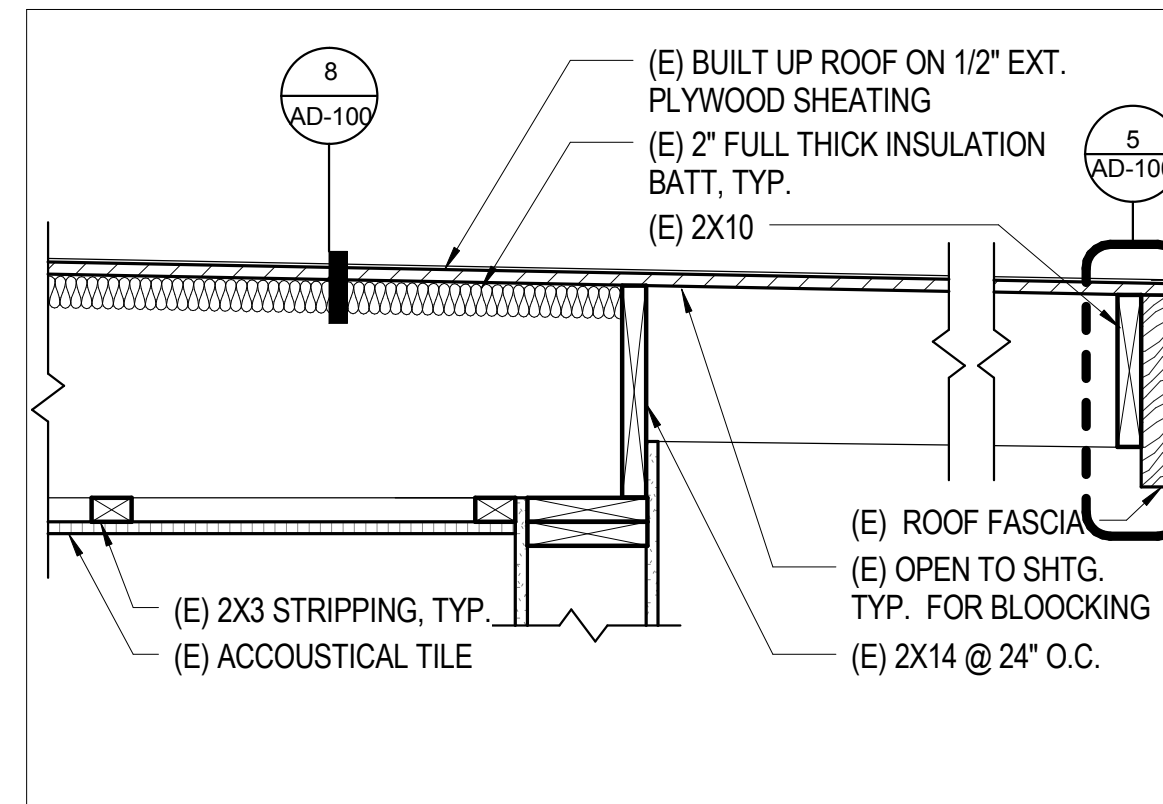
No.	Description	Date
1	ADD 01	3/8/2018

Sheet Name
ROOF DETAILS - TYPICAL

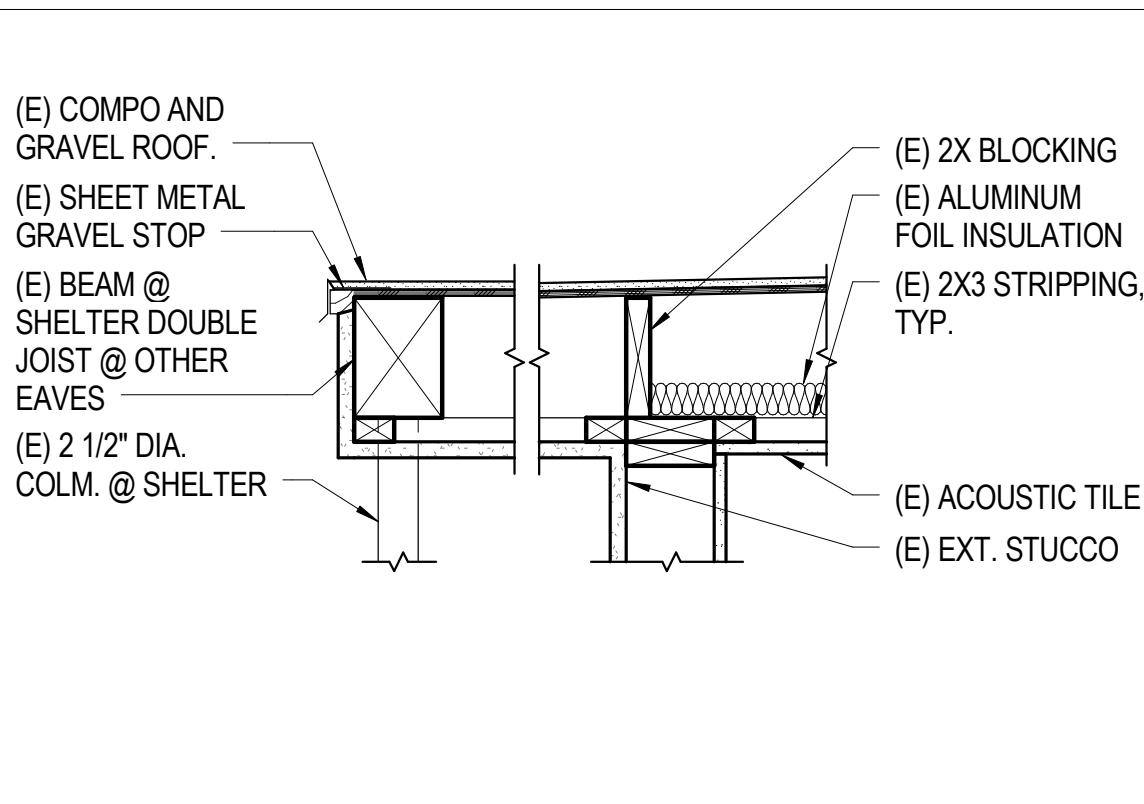
17761.11
Date 01/10/2019
Drawn by CLD
Checked by CY
Sheet Number

AD-100

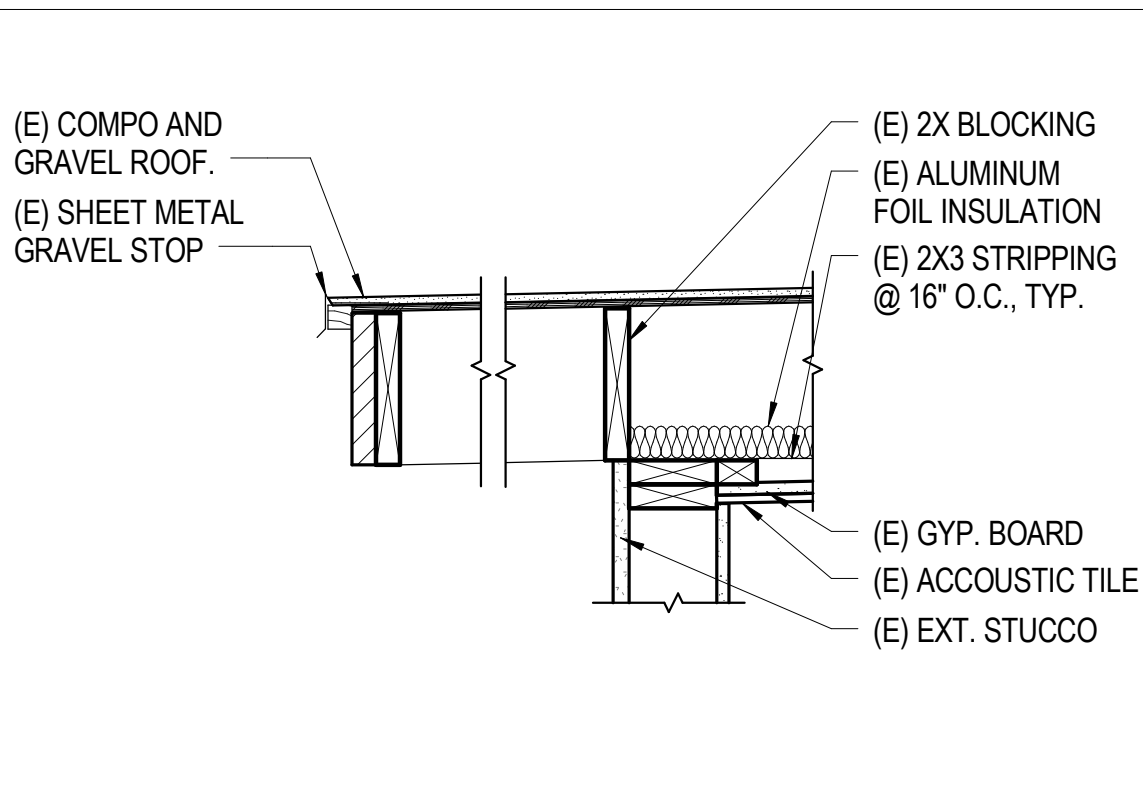
C:\Users\calderon\Documents\Nordhoff Roofing Project - 2019.rvt



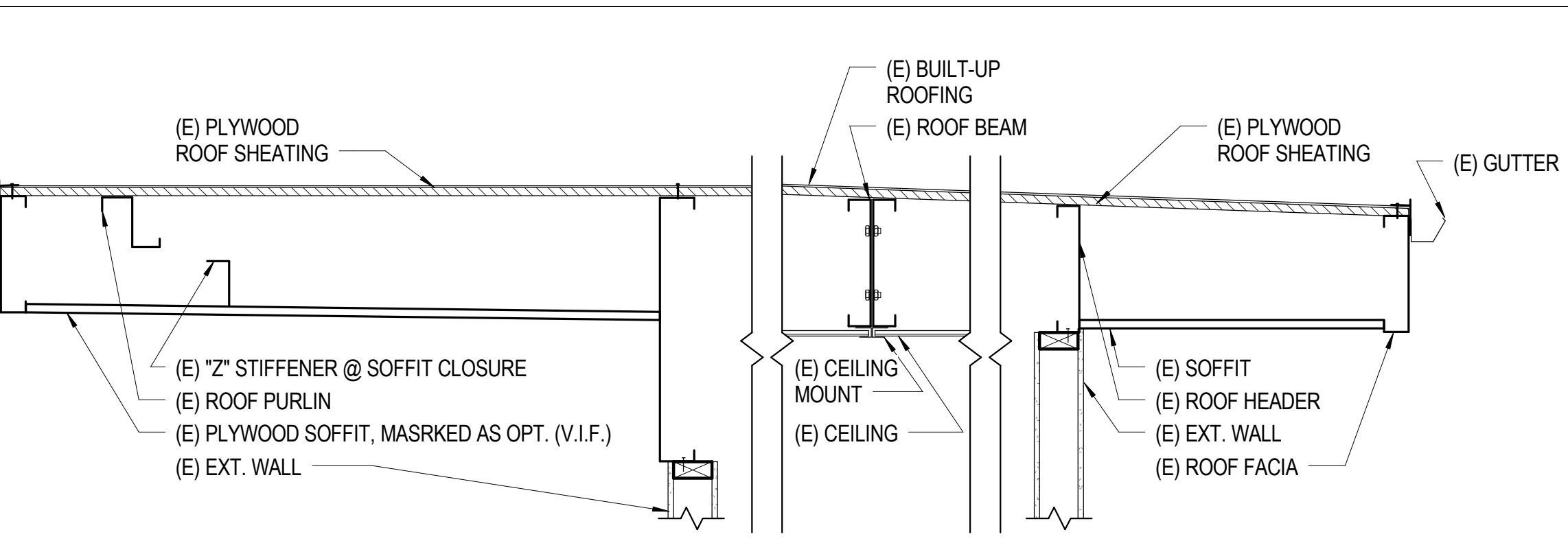
BUILDING H (E) ROOF ASSEMBLY 1" = 1'-0" (1)



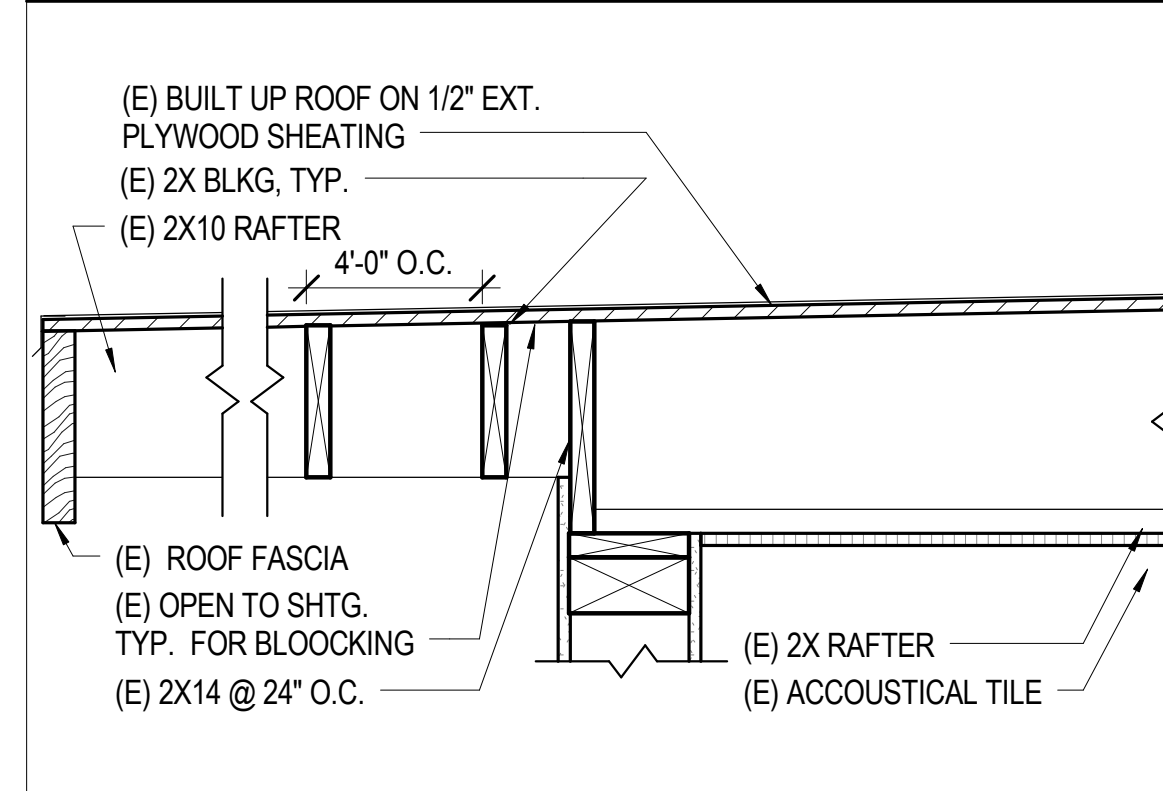
BUILDING G (E) ROOF ASSEMBLY 1" = 1'-0" (2)



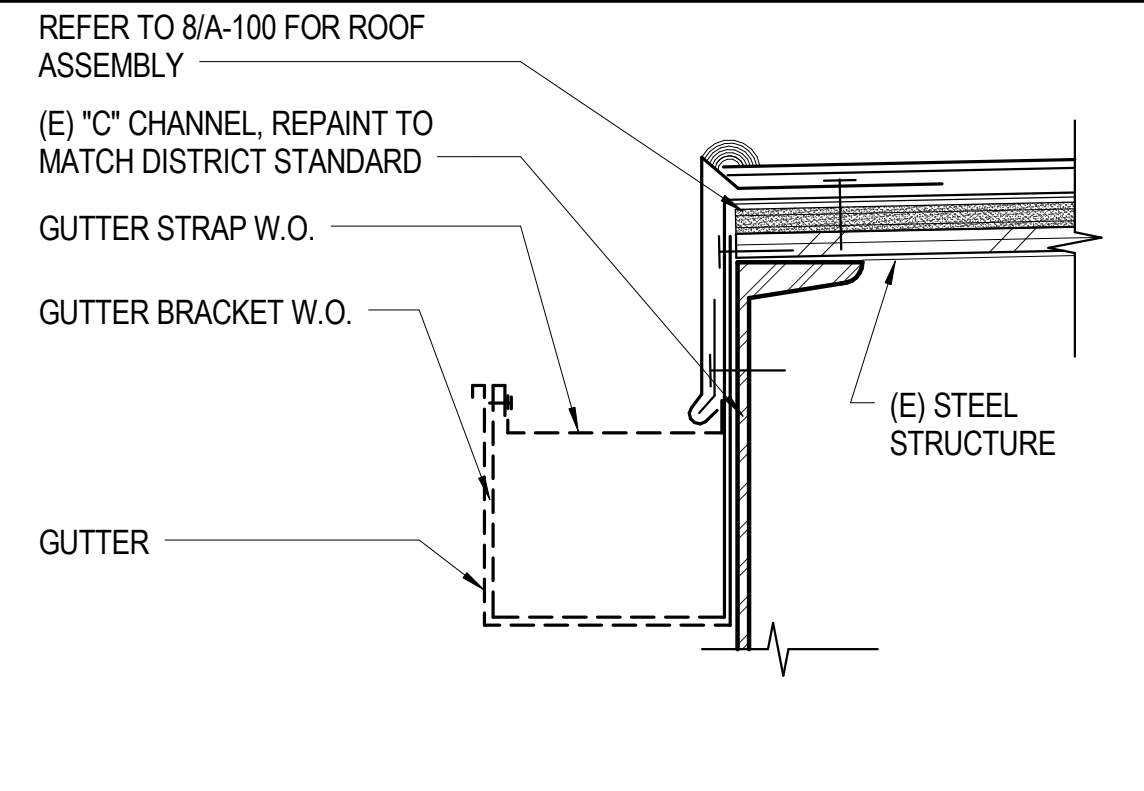
BUILDING I (E) ROOF ASSEMBLY 1" = 1'-0" (3)



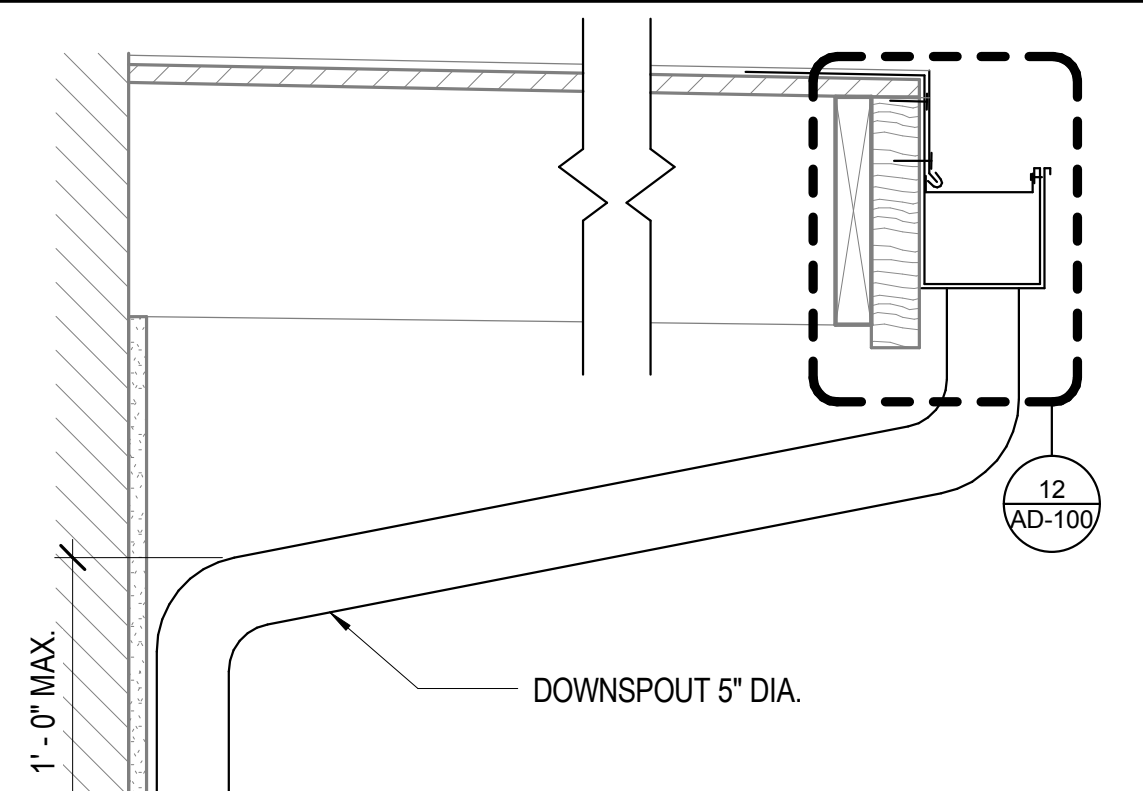
BUILDING J (E) ROOF ASSEMBLY 1" = 1'-0" (5)



BUILDING F (E) ROOF ASSEMBLY 1" = 1'-0" (6)



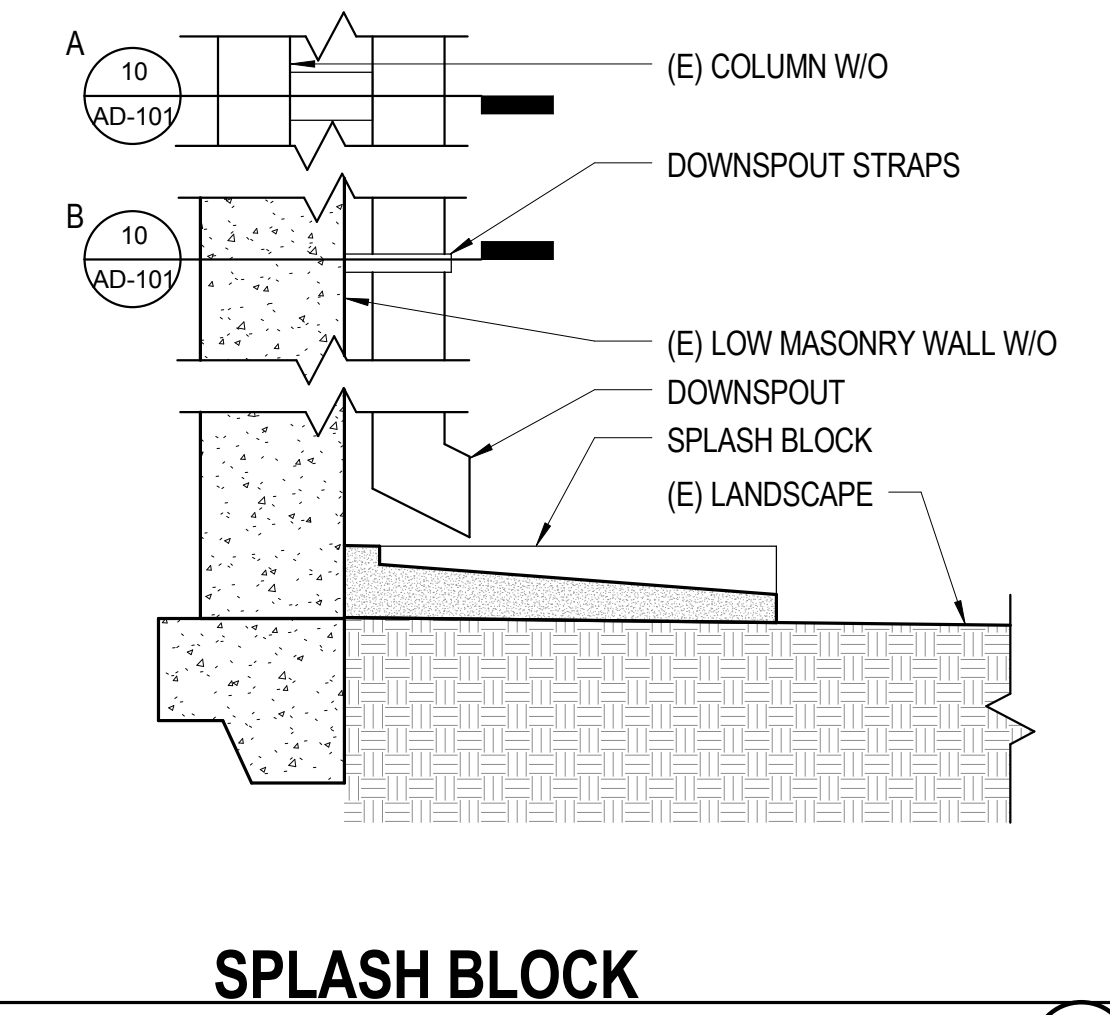
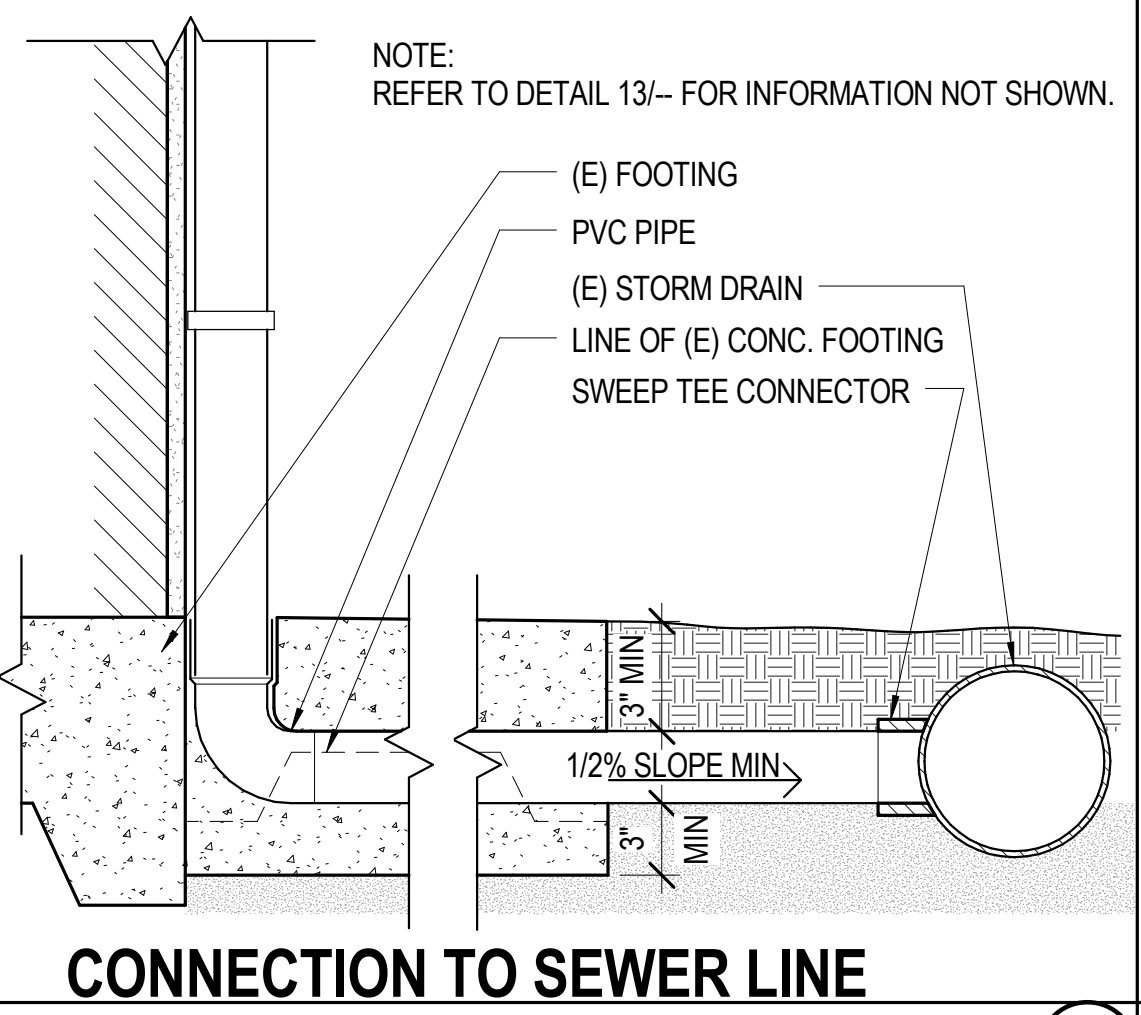
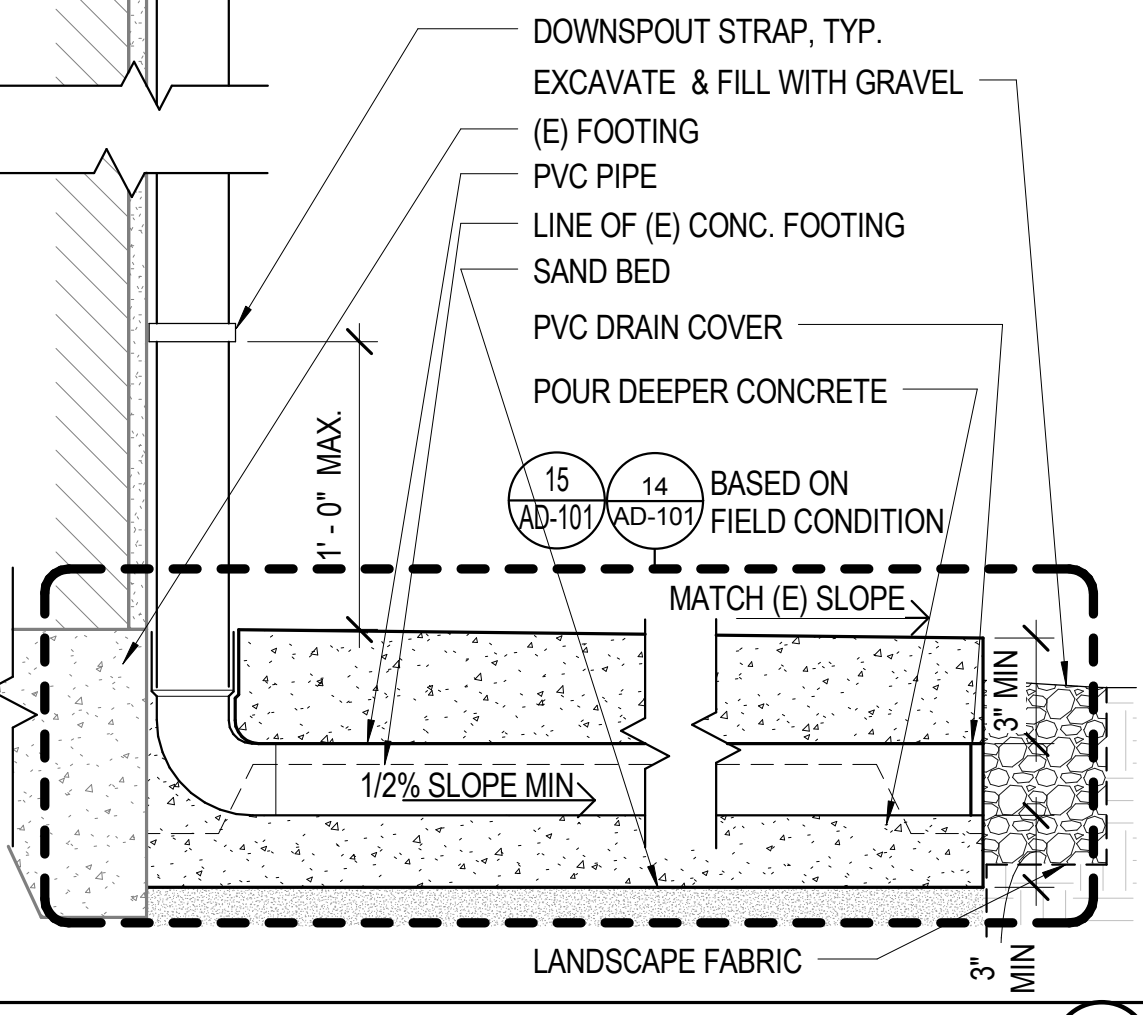
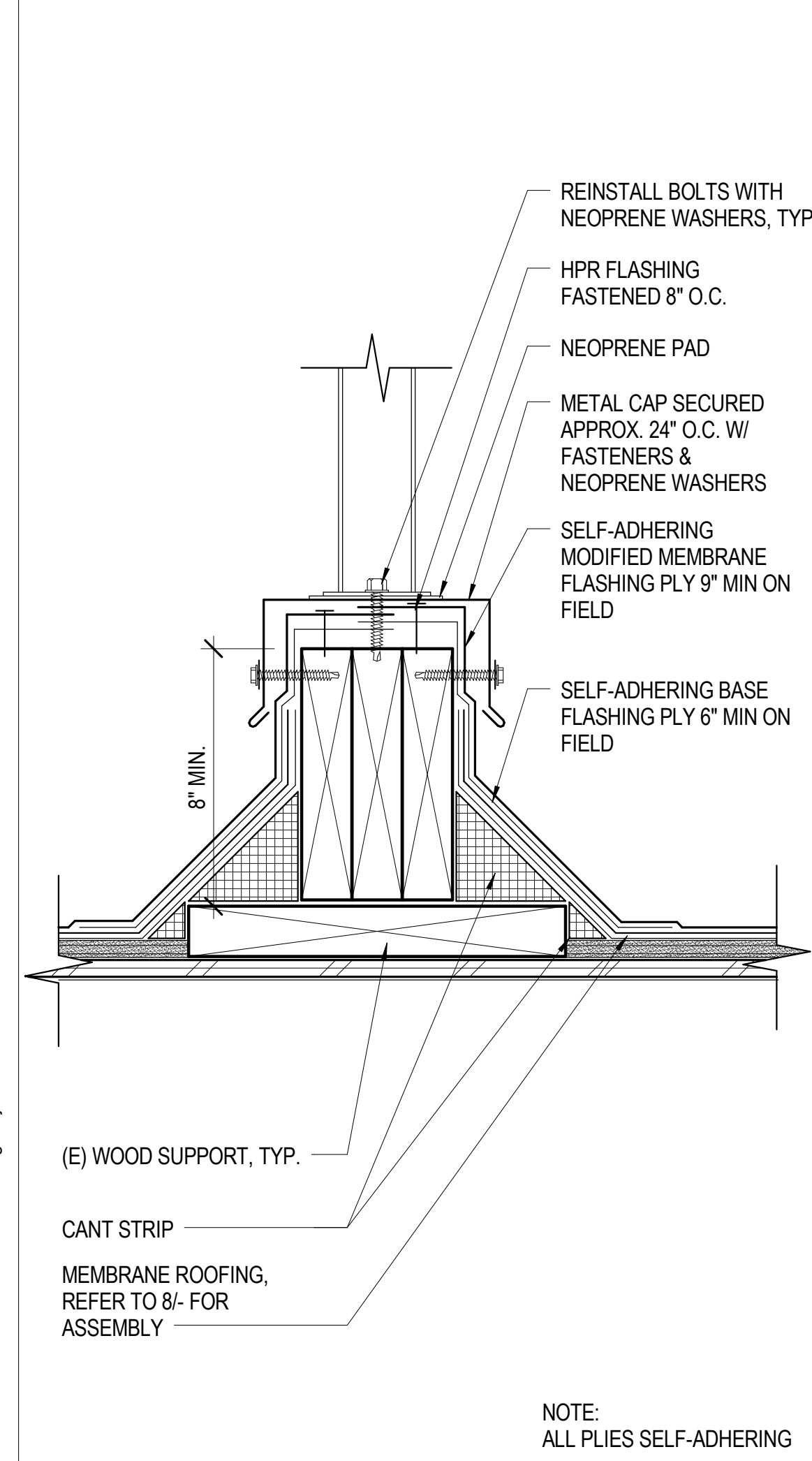
ROOF EDGE @ PORTABLES 3" = 1'-0" (7)



DOWNSPOUT STRAP CONNECTION 3" = 1'-0" (10)

A. STEEL COLUMN CONNECTION
B. STUCCO FINISH CONNECTION
C. MASONRY WALL CONNECTION

	TYPE OF FASTENER	MIN. EMBED
WOOD	#12 GALV	1/2" MIN.
STUCCO	SEE WOOD BACKING REQ.	1/2" MIN. INTO STRUCTURE
CONCRETE/MASONRY	HILTI KWIK HUS-EZ SCREW ANCHOR	1" MIN.



No.	Description	Date

C:\Users\calderon\Documents\Nordhoff Roofing Project - 2019.rvt