

**Request for Proposal – *Wireless Fidelity Communication and Internet (“WiFi”)*  
*Services Site Survey***

**Project Scope and Specifications:**

Telamon Corporation is looking for a contractor who can come in and perform a wireless site survey for the two locations noted below. The objective is to obtain clear and accurate wireless survey data that will include heat maps across the Dual band 2.4/5 Ghz integrated radio. The resulting report will enable Telamon Corporation in determining correct positioning of existing WiFi equipment as well as to determine if additional hardware is necessary to ensure complete WiFi coverage within the two sites. Existing WiFi infrastructure at both sites is Cisco Meraki hardware.

- Site 1 – NC204 - 1020 Todd Road, Knightdale, NC 27545
- Site 2 – NC205 - 505 Martin Luther King Blvd., Siler City, NC 27344

**NOTES:**

- **Submit one proposal for both center locations.**
- Davis Bacon wage rates apply.
- Contractor shall make themselves aware of all site and building conditions related to work.

Contact Brian King at the email address listed below with any project questions.

**Proposal Submissions Due: 5/27/22**

Bids are to be sent by email to [bking@telamon.org](mailto:bking@telamon.org) and are to be properly signed by a signatory of your company.

**Project timelines, daily work hours Monday – Friday 8:00 AM to 4:30 PM.**

- Tentative Contract Award Date: 5/31/22
- Tentative Work Begin Date: 6/6/22
- Tentative Work Completion Date: 6/13/22

**Budget**

All proposals must include proposed costs to complete the tasks described in the project scope. In-kind contribution should be identified and itemized.

**IN-KIND CONTRIBUTION**

The Administration for Children and Families (ACF) requires all Head Start grantees such as Telamon Corporation to provide contributions equal to 25 percent of their total Federal Head Start funding (or 20 percent of the total Federal and non-Federal combined). Telamon Corporation is asking for an in-kind contribution from the contractor selected that might range from 2 percent to 10 percent of the base bid.

In-kind is defined as property or services that benefit a grant-supported project or program (such as the Head Start program) and are contributed by non-Federal third parties without charge to the grantee. In-kind contributions may consist of the value of real property and equipment and the value of goods and services directly benefiting the grant program and specifically identifiable to it.

### **Bidder Qualifications**

Bidders must provide the following as part of their proposal for consideration:

- Three (3) references.
- Date when bidder is able to begin work and expected completion date.

### **Terms and Conditions**

Telamon corporation reserves the right to reject any and all bids. Telamon Corporation is an equal opportunity employee and service provider.

### **Evaluation Criteria**

Telamon Corporation will evaluate all proposals based on the following criteria. To ensure consideration for the request for Proposal, your proposal must be complete and include all the following criteria:

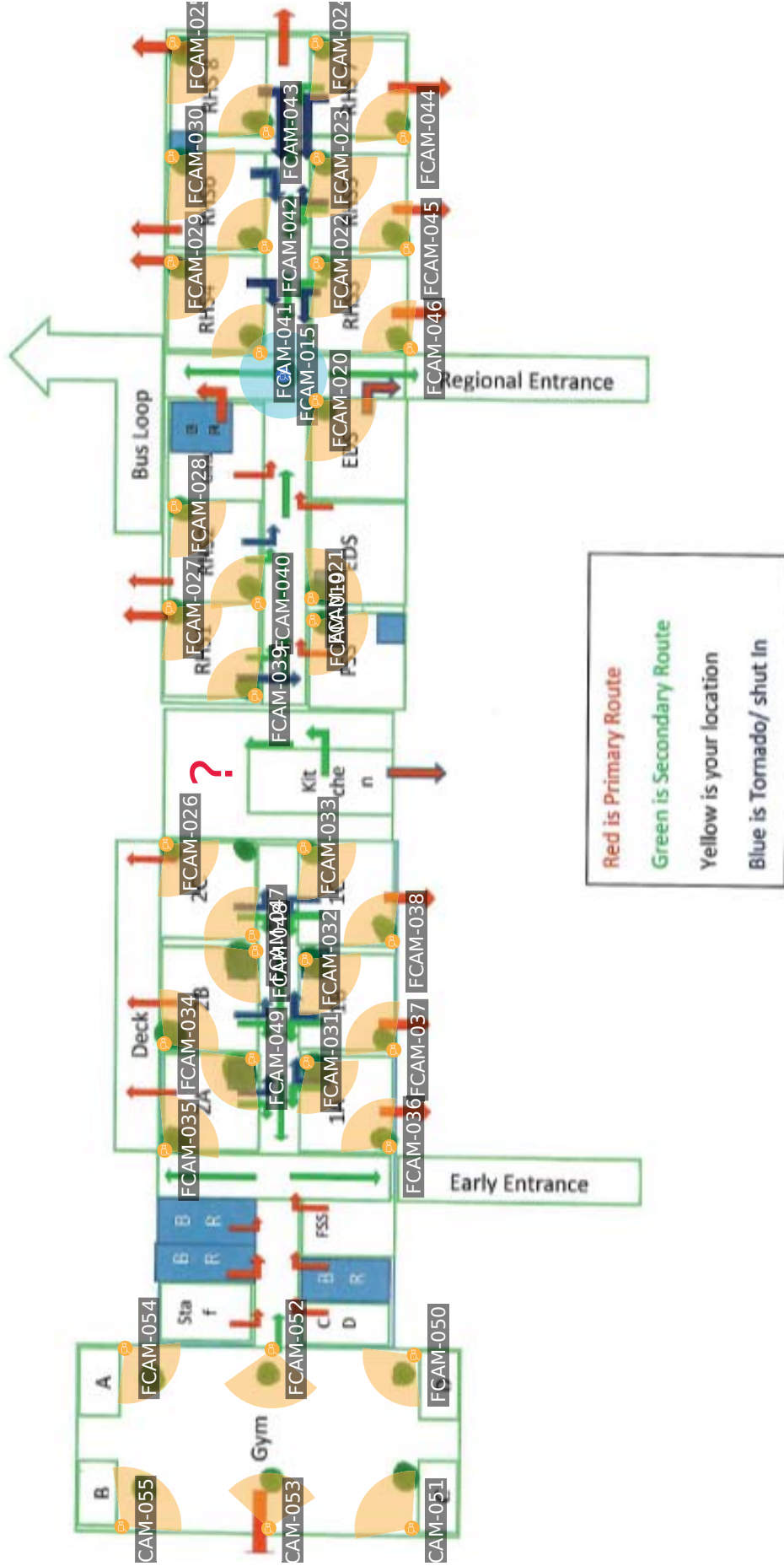
- Overall proposal suitability: Proposed work must meet the scope and needs included herein and be presented in a clear and organized manner.
- Organizational Experience: Bidders will be evaluated on their experience as it pertains to the scope of this project.
- Previous work: Bidders will be evaluated on examples of their work pertaining to the quality and completion timeliness of work.
- Value and cost: Bidders will be evaluated on the cost of work to be performed in accordance with the scope of this project and in the in-kind contribution.
- Experience: Bidders must provide descriptions of staff experience.

The contractor selected will be required to name **Telamon Corporation as an additional insured** on a Certificate of Insurance listing the policy numbers and amount of coverage for Workers compensation and General Liability Insurance. Certificates of Insurance must provide for a minimum requirement of \$1,000,000 in general Liability and State required minimums in workers compensation coverage.

Attachments:

# Knightdale Head Start

## Evacuation Plan



# NC26 Chatham -B - March 4th, 2022

