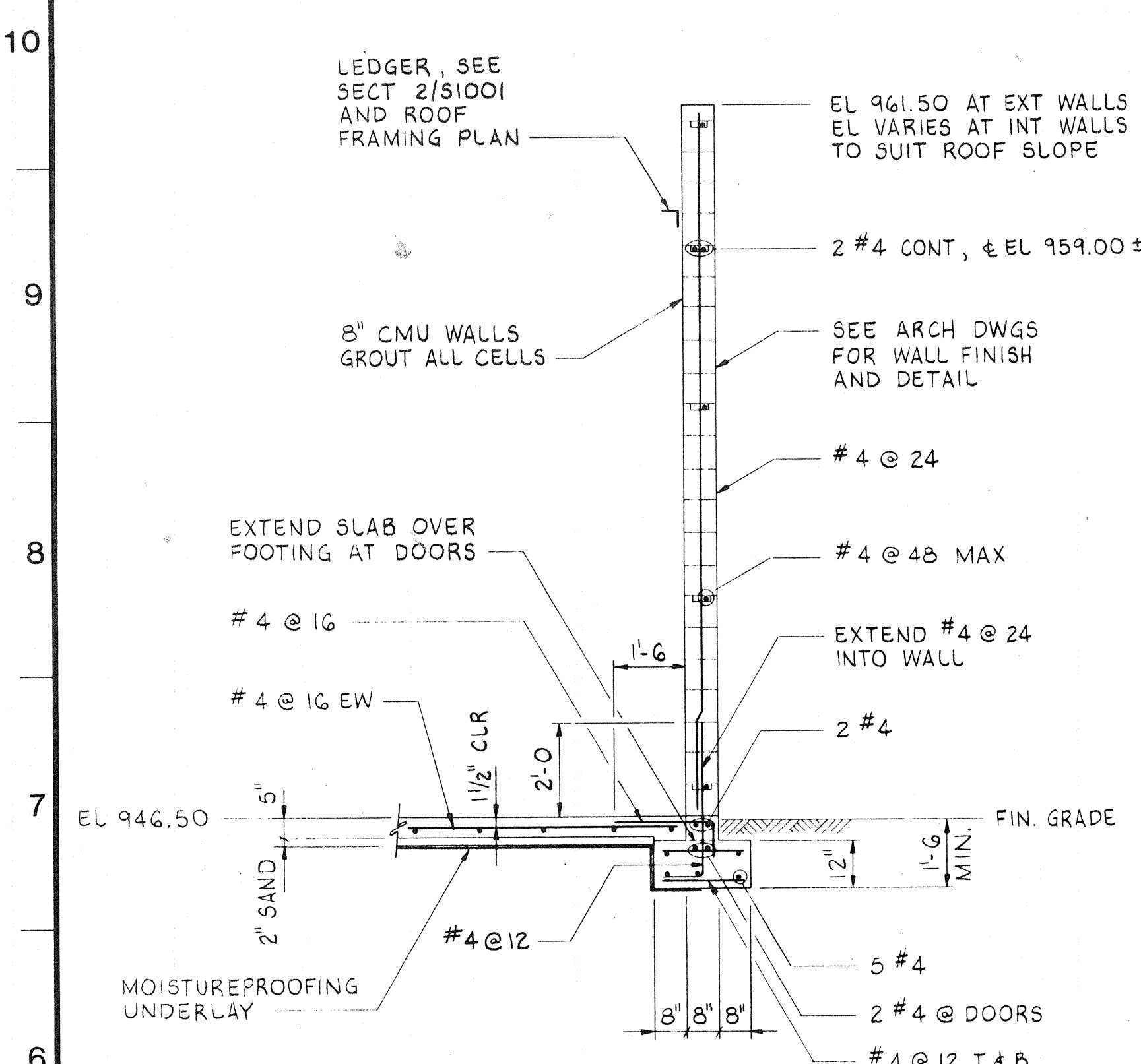
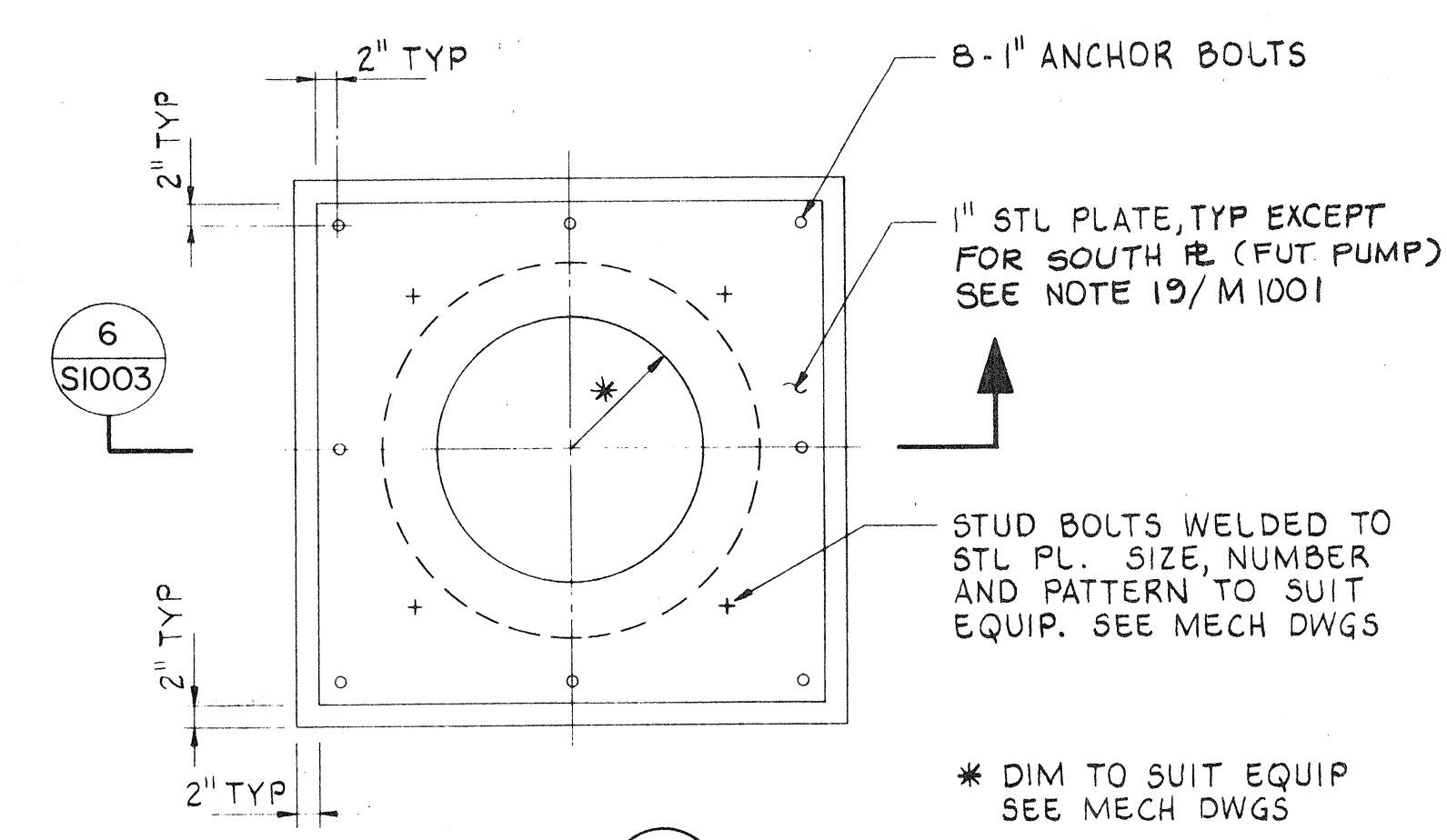


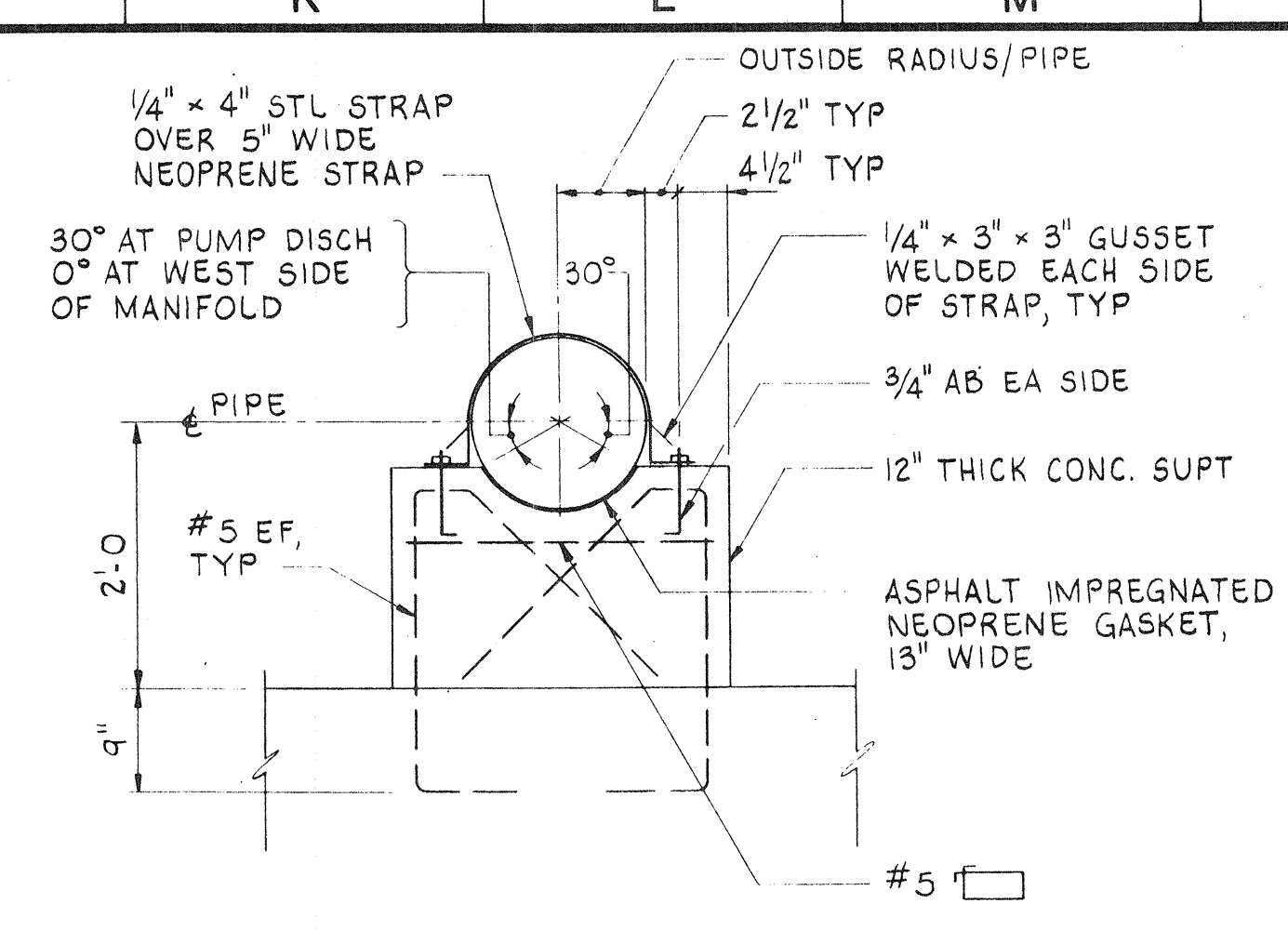
A B C D E F G H I J K L M N O P



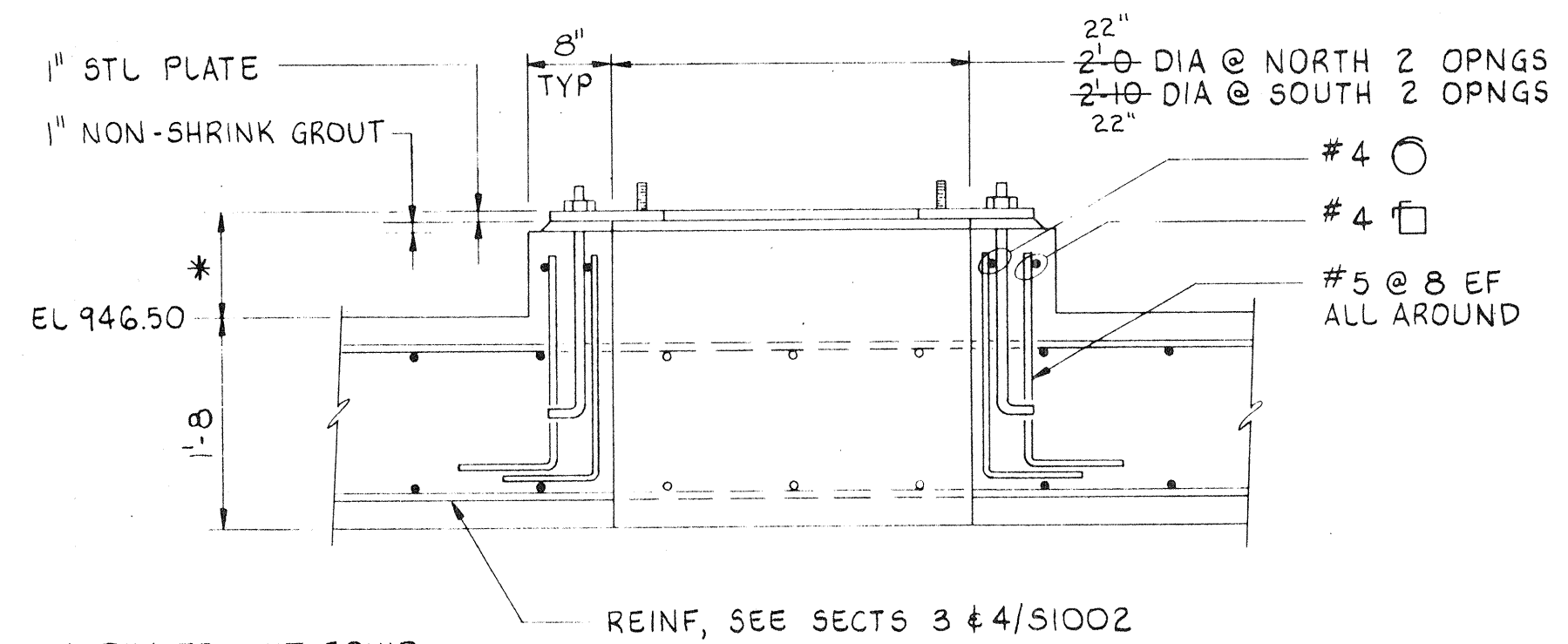
SECTION 5  
S1001  
SCALE: 3/8"=1'-0



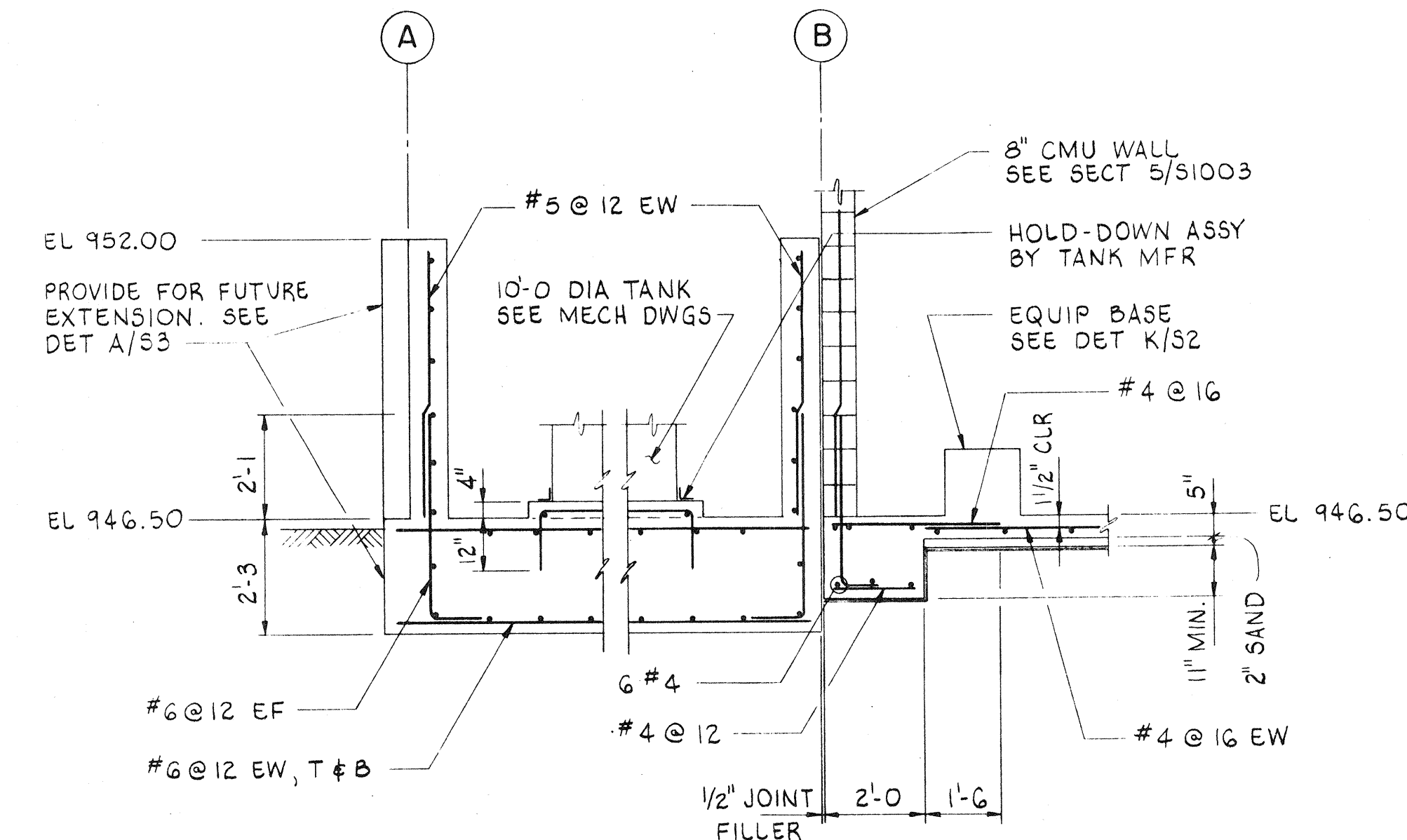
DETAIL B  
S1001  
SCALE: 3/4"=1'-0



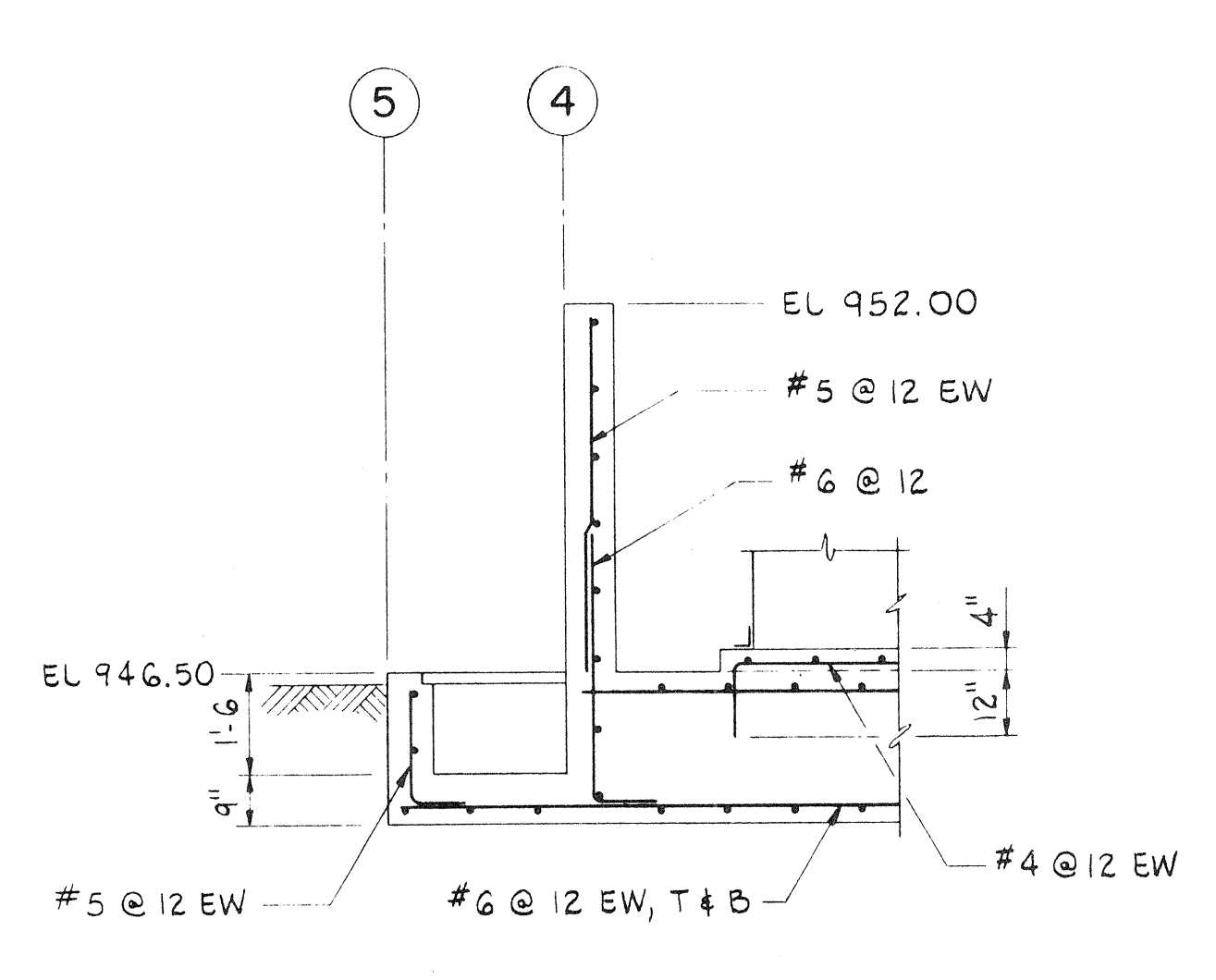
DETAIL C  
S1001  
SCALE: 3/4"=1'-0



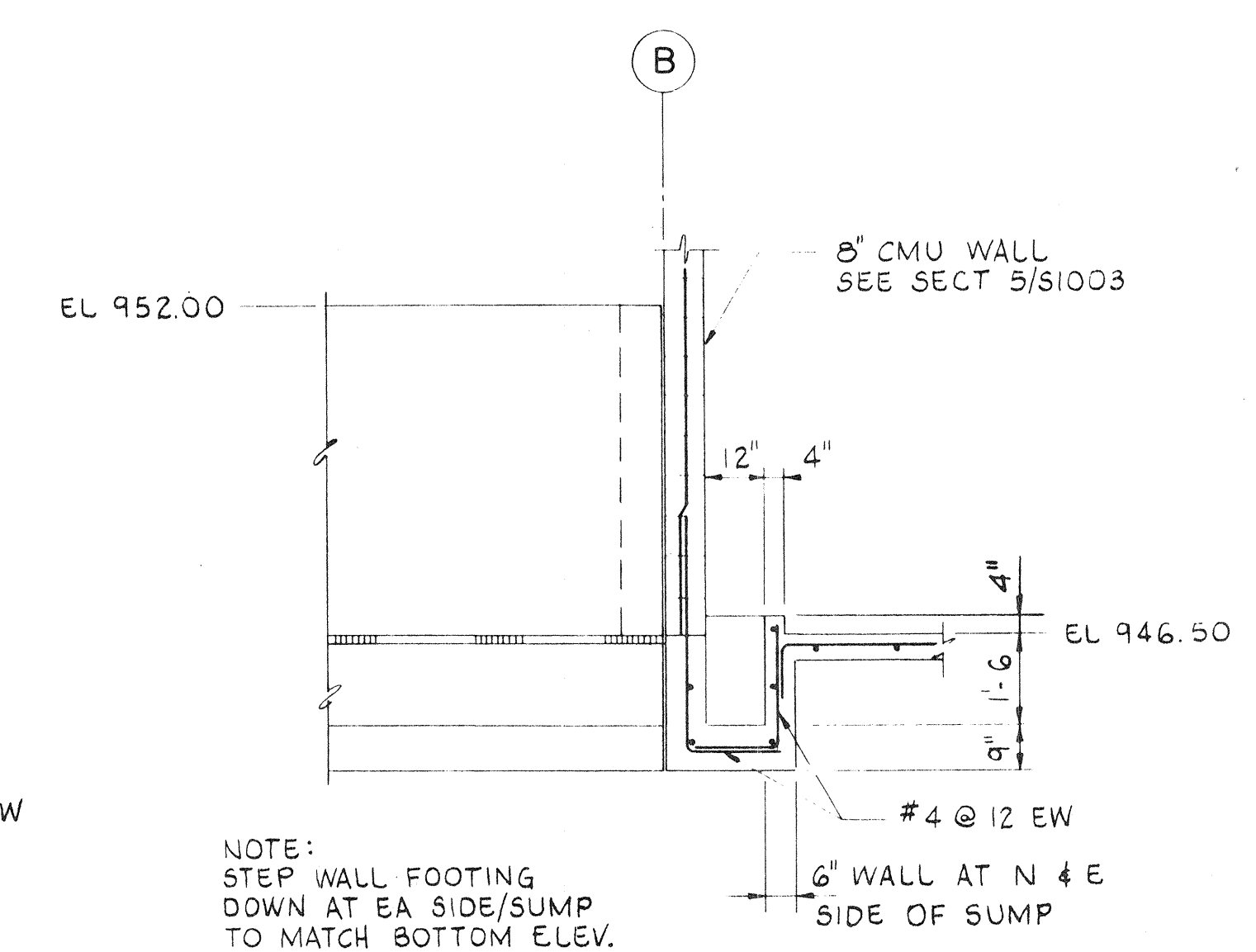
SECTION 6  
S1003  
SCALE: 3/4"=1'-0



SECTION 7  
S1001  
SCALE: 3/8"=1'-0



SECTION 8  
S1001  
SCALE: 3/8"=1'-0



SECTION 9  
S1001  
SCALE: 3/8"=1'-0

RECORD DRAWINGS 12/15/92

**BROWN AND CALDWELL**  
CONSULTING ENGINEERS  
PHOENIX, ARIZONA

SUBMITTED: *[Signature]* DATE: 7-13-90  
APPROVED: *[Signature]* DATE: 7-13-90  
APPROVED: *[Signature]* DATE: 7-25-90

LINE IS 2 INCHES AT FULL SIZE (IF NOT 2"=SCALE ACCORDINGLY)

FILE: 3453  
DRAWN: DL  
DESIGNED: PAS  
CHECKED: APS  
CHECKED: PAS

*[Seals]*

REVISIONS				
ZONE REV.	DESCRIPTION	BY	DATE	APP.

CITY OF AVONDALE  
WASTEWATER TREATMENT FACILITY

INTERCEPTOR PUMPING STATION  
SECTIONS AND DETAILS

DRAWING NUMBER  
**S1003**  
SHEET NUMBER  
143

A B C D E F G H I J K L M N O P