

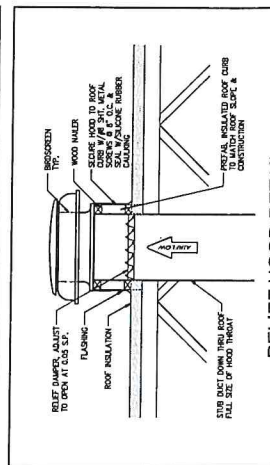




### MECHANICAL LEGEND

SYMBOL	DESCRIPTION
16-18	RETURN DUCTWORK
16-19	RETURN DUCTWORK WITH INSULATION
16-20	RETURN DUCTWORK WITH INSULATION AND BALANCE DAMPER
16-21	RETURN DUCTWORK WITH INSULATION AND BALANCE DAMPER AND WOOD MAILER
16-22	RETURN DUCTWORK WITH INSULATION AND BALANCE DAMPER AND WOOD MAILER AND ROOF FLASHING
16-23	RETURN DUCTWORK WITH INSULATION AND BALANCE DAMPER AND WOOD MAILER AND ROOF FLASHING AND INSULATED ROOF CURB
16-24	RETURN DUCTWORK WITH INSULATION AND BALANCE DAMPER AND WOOD MAILER AND ROOF FLASHING AND INSULATED ROOF CURB AND WOOD MAILER

POINT OF DISCONNECTION FROM EXISTING	POINT OF DISCONNECTION FROM EXISTING
POINT OF CONNECTION OF NEW TO EXISTING	POINT OF CONNECTION OF NEW TO EXISTING
DUCT TAKE-OFF	DUCT TAKE-OFF
DUCT TAKE-OFF WITH INSULATION	DUCT TAKE-OFF WITH INSULATION
DUCT TAKE-OFF WITH INSULATION AND BALANCE DAMPER	DUCT TAKE-OFF WITH INSULATION AND BALANCE DAMPER
DUCT TAKE-OFF WITH INSULATION AND BALANCE DAMPER AND WOOD MAILER	DUCT TAKE-OFF WITH INSULATION AND BALANCE DAMPER AND WOOD MAILER
DUCT TAKE-OFF WITH INSULATION AND BALANCE DAMPER AND WOOD MAILER AND ROOF FLASHING	DUCT TAKE-OFF WITH INSULATION AND BALANCE DAMPER AND WOOD MAILER AND ROOF FLASHING
DUCT TAKE-OFF WITH INSULATION AND BALANCE DAMPER AND WOOD MAILER AND ROOF FLASHING AND INSULATED ROOF CURB	DUCT TAKE-OFF WITH INSULATION AND BALANCE DAMPER AND WOOD MAILER AND ROOF FLASHING AND INSULATED ROOF CURB
DUCT TAKE-OFF WITH INSULATION AND BALANCE DAMPER AND WOOD MAILER AND ROOF FLASHING AND INSULATED ROOF CURB AND WOOD MAILER	DUCT TAKE-OFF WITH INSULATION AND BALANCE DAMPER AND WOOD MAILER AND ROOF FLASHING AND INSULATED ROOF CURB AND WOOD MAILER



### PACKAGE HEAT PUMP SCHEDULE

DRAWING SYMBOL	TOTAL CAP. (TONS)	CONDENSER (HP)	EVAP. (HP)	CONDENSER (SQ FT)	EVAP. (SQ FT)	CONDENSER (GPM)	EVAP. (GPM)	CONDENSER (VOL)	EVAP. (VOL)	CONDENSER (WGT)	EVAP. (WGT)	CONDENSER (WGT)	EVAP. (WGT)	CONDENSER (WGT)	EVAP. (WGT)	CONDENSER (WGT)	EVAP. (WGT)
16-1	2.000	500	0.5	1.0	61.0	48.8	57.4	12.0	33.0	38.0	12.3	487/3	1.071	1.071	1.071	1.071	1.071
16-2	2.000	500	0.5	1.0	61.0	48.8	57.4	18.0	41.0	45.0	12.3	487/3	1.071	1.071	1.071	1.071	1.071
16-3	800	200	0.5	1/3	61.0	48.8	22.1	12.0	18.4	20.0	12.3	309/1	1.071	1.071	1.071	1.071	1.071
16-4	1.000	750	0.5	1.0	65.3	74.6	84.5	18.0	45.0	50.0	11.0	487/3	1.188	1.188	1.188	1.188	1.188

### GRILLES AND DIFFUSERS

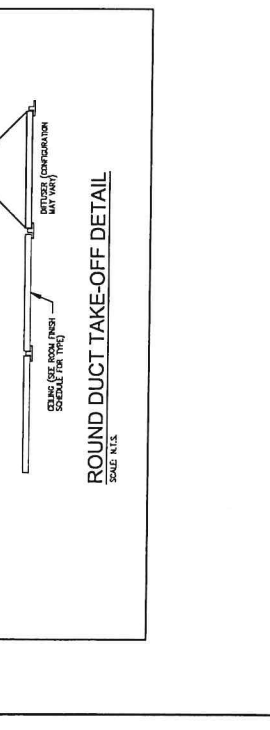
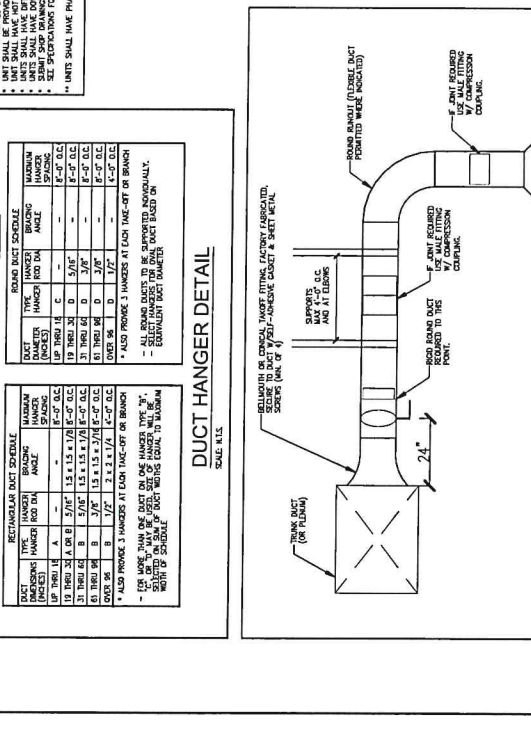
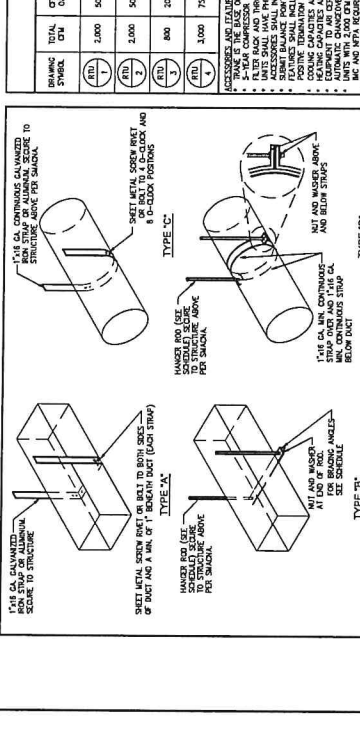
SYMBOL	MANUFACTURER	MODEL	DESCRIPTION	ACCESSORIES AND FINISHES
16-5	WETCO	5000	SQUARE, LOWER FACE CEILING SUPPLY DIFFUSER WITH REMOVABLE CORE, LAT-N BORDER OR FLANGED MOUNT, FACTORY FINISH ROUND RAFTER.	• 24"X1 LAY IN OR FLANGED MOUNT FRAME • ALUMINUM OPPOSED BLADE DAMPER • 2 OR 3 WAT PATTERN WEDGE NOTED • NC 2, 30
16-6	WETCO	7000	PERFORATED CEILING SUPPLY DIFFUSER WITH LAT-N BORDER, FLUSH FACE, FACTORY FINISH ROUND RAFTER.	• 24"X1 LAY IN OR SQUARE MOUNT • ALUMINUM OPPOSED BLADE DAMPER • 2 OR 3 WAT PATTERN WEDGE NOTED • NC 2, 30
16-7	WETCO	005	GRID CASE, TYPE WITH 1/2" SPACING, FLANGED OR LAT-N BORDER AS REQUIRED TO MATCH CEILING CONSTRUCTION.	• 24"X1 LAY IN OR FLANGED FRAME • ALUMINUM OPPOSED BLADE DAMPER • 2 OR 3 WAT PATTERN WEDGE NOTED • NC 2, 30
16-8	WETCO	005	GRID CASE, TYPE WITH 1/2" SPACING, FLANGED OR LAT-N BORDER AS REQUIRED TO MATCH CEILING CONSTRUCTION.	• 24"X1 LAY IN OR FLANGED FRAME • ALUMINUM OPPOSED BLADE DAMPER • 2 OR 3 WAT PATTERN WEDGE NOTED • NC 2, 30

### ROOF RELIEF HOOD SCHEDULE

DRAWING SYMBOL	FUNCTION	OW	RELIEF AREA (SQ FT)	STATIC P.R. (IN. WG)	VELOCITY (FPM)	WINDSPEED (MPH)	TYPE	WINDSPEED (MPH)	WINDSPEED (MPH)	WINDSPEED (MPH)	WINDSPEED (MPH)	WINDSPEED (MPH)	WINDSPEED (MPH)
16-9	RELIEF AREA	1.500	443	0.13	3.24	3.24	GRIDMECK	GRIDMECK	GRIDMECK	GRIDMECK	GRIDMECK	GRIDMECK	GRIDMECK
16-10	RELIEF AREA	1.700	495	0.14	3.58	3.58	GRIDMECK	GRIDMECK	GRIDMECK	GRIDMECK	GRIDMECK	GRIDMECK	GRIDMECK

### EXHAUST FAN SCHEDULE

DRAWING SYMBOL	LOCATION	AREA (SQ FT)	WINDSPEED (MPH)	TYPE	WINDSPEED (MPH)	WINDSPEED (MPH)	WINDSPEED (MPH)	WINDSPEED (MPH)	WINDSPEED (MPH)	WINDSPEED (MPH)	WINDSPEED (MPH)	WINDSPEED (MPH)
16-11	COMPUTER	1.5	1.500	2.000	151	151	151	151	151	151	151	151



NOTES:  
 1. ALL UNITS SHALL HAVE PHASE MONITOR.  
 2. ALL UNITS SHALL HAVE REMOVABLE CORE.  
 3. ALL UNITS SHALL HAVE PERFORATED CORES UNLESS NOTED OTHERWISE.  
 4. ALL UNITS SHALL HAVE REMOVABLE CORES UNLESS NOTED OTHERWISE.  
 5. ALL UNITS SHALL HAVE REMOVABLE CORES UNLESS NOTED OTHERWISE.  
 6. ALL UNITS SHALL HAVE REMOVABLE CORES UNLESS NOTED OTHERWISE.  
 7. ALL UNITS SHALL HAVE REMOVABLE CORES UNLESS NOTED OTHERWISE.  
 8. ALL UNITS SHALL HAVE REMOVABLE CORES UNLESS NOTED OTHERWISE.  
 9. ALL UNITS SHALL HAVE REMOVABLE CORES UNLESS NOTED OTHERWISE.  
 10. ALL UNITS SHALL HAVE REMOVABLE CORES UNLESS NOTED OTHERWISE.





**WEST, WELCH, REED ENGINEERS, INC.**  
 CIVIL, MECHANICAL, ELECTRICAL, PLUMBING, PIPING, AND ENERGY SERVICES  
 1100 WEST 10TH AVENUE, SUITE 100  
 DENVER, COLORADO 80202  
 PHONE: (303) 733-8888  
 FAX: (303) 733-8884

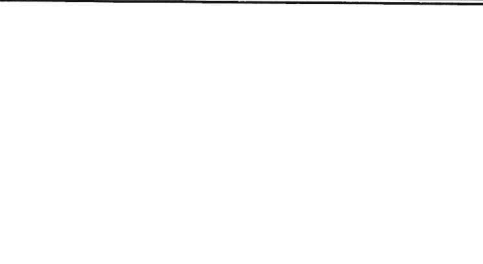
**UNION COUNTY HIGH SCHOOL  
 ROOFTOP UNITS  
 PARTIAL FLOOR PLAN 'C' -  
 HVAC NEW WORK**



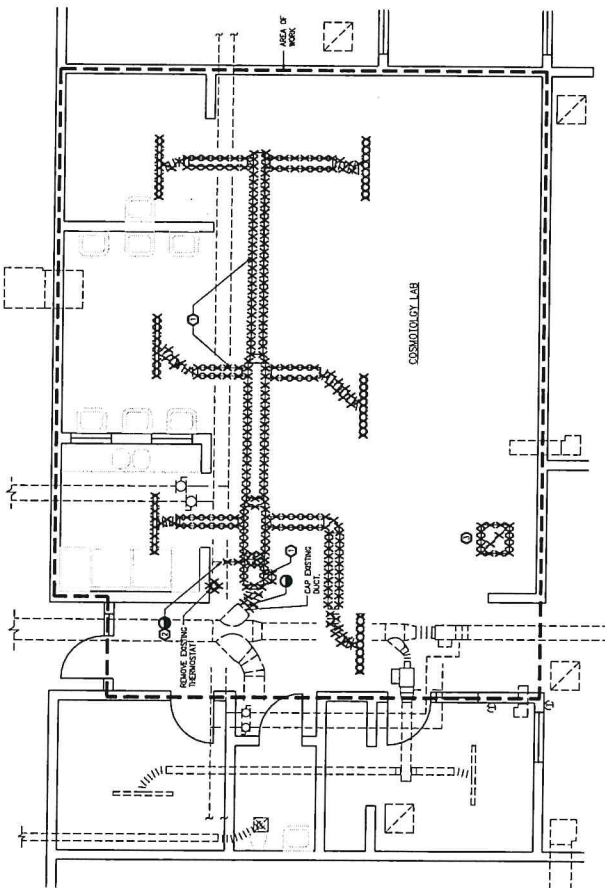
JOB NO:	120064
FILE:	120064
DRAWN:	MAW
DESIGNED:	MAW
CHECKED:	RUS
DATE:	11-08-21
REVISIONS:	

**M4**

- DEMOLITION NOTES:**
1. THE CONTRACTOR SHALL VERIFY THE EXISTING LOCATION OF ALL EXISTING ROOFTOP UNITS, CONDENSERS, DIFFUSERS AND DUCTWORK. THE CONTRACTOR SHALL VERIFY THE EXISTING LOCATION OF ALL EXISTING CONDENSERS, DIFFUSERS AND DUCTWORK. THE CONTRACTOR SHALL VERIFY THE EXISTING LOCATION OF ALL EXISTING CONDENSERS, DIFFUSERS AND DUCTWORK. THE CONTRACTOR SHALL VERIFY THE EXISTING LOCATION OF ALL EXISTING CONDENSERS, DIFFUSERS AND DUCTWORK.
  2. THE CONTRACTOR SHALL NOT CREATE INTERFERENCE OF THE EXISTING ROOFTOP UNITS, CONDENSERS, DIFFUSERS AND DUCTWORK. THE CONTRACTOR SHALL NOT CREATE INTERFERENCE OF THE EXISTING ROOFTOP UNITS, CONDENSERS, DIFFUSERS AND DUCTWORK.
  3. THE CONTRACTOR SHALL VERIFY THE EXISTING LOCATION OF ALL EXISTING CONDENSERS, DIFFUSERS AND DUCTWORK.
- KEY NOTES:**
- ⊖ EXISTING UNIT, ACCESSORIES, DIFFUSERS AND DUCTWORK TO BE DEMOLISHED
  - ⊕ REMOVE EXISTING BRANCH HOT WATER SUPPLY AND RETURN PIPING BACK TO MAIN PUMP, VALVE AND CONTROL
  - ⊙ REMOVE EXISTING RETURN REGISTER



**WEST, WELCH, REED ENGINEERS, INC.**  
 1100 WEST 10TH AVENUE, SUITE 100  
 DENVER, COLORADO 80202  
 PHONE: (303) 733-8888  
 FAX: (303) 733-8884



**PARTIAL FLOOR PLAN "C" - HVAC DEMOLITION**  
 SCALE: 1/4"=1'-0"







